



Harness Range

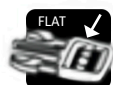
User Instructions



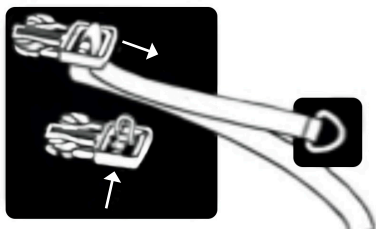
FITTING THE HARNESS

Please note that when fitting the harness strap to the Camlock, you must follow the following safety measures:

- Ensure male buckle is positioned with the centre bar flat side up (triangular point facing downwards) **A** and the longest edge of the buckle to the top **B**.
- Thread strap through the rear slot (furthest away from the buckle)
- Push strap down through front slot (closest to the buckle)
- Thread strap through camlock and close to secure
- Use the D ring to adjust the position of the strap



A








B



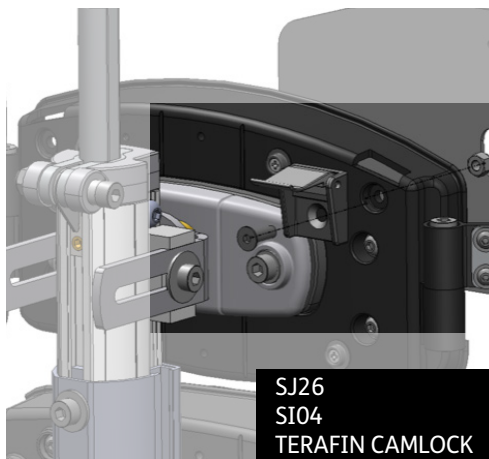
Pack should contain the following

(Screws below are scaled 1:1 so can be used as size reference)

ags	Used In
SJ117 (4OFF) 	Leckey Everyday Activity Seat
SJ26 (4OFF) 	Leckey Squiggles Seat Leckey Mygo Seat Leckey KIT
SJ24 (2OFF) 	Leckey Squiggles Seat Leckey Mygo Seat
SJ25 (2OFF) 	Leckey Squiggles Seat
SI04 (4OFF) 	Leckey Squiggles Seat Leckey Mygo Seat Leckey KIT Leckey Everyday Activity Seat

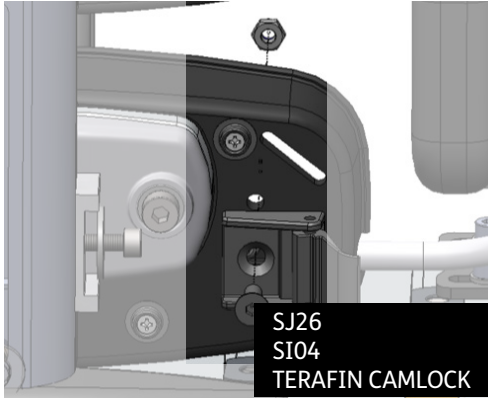
LECKEY Kit

KIT upper

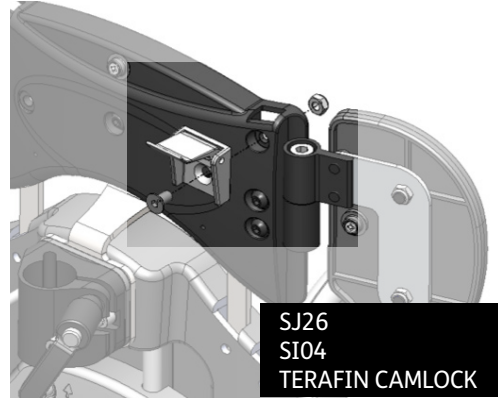


SJ26
SI04
TERAFIN CAMLOCK

KIT Lower

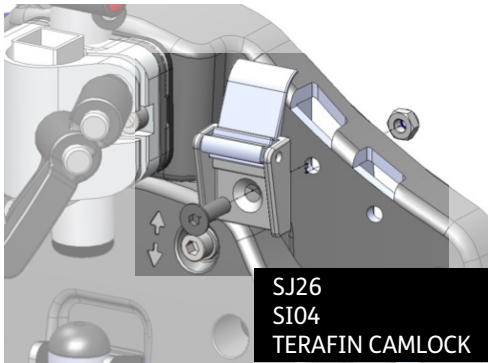


Mygo shoulder ext



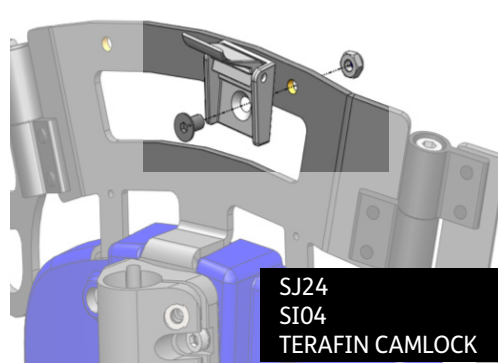
LECKEY Mygo Seat

Mygo Upper

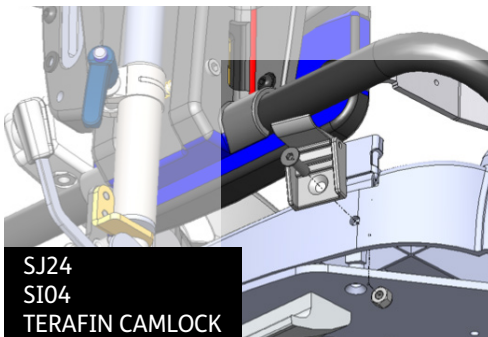


LECKEY Squiggles Seat

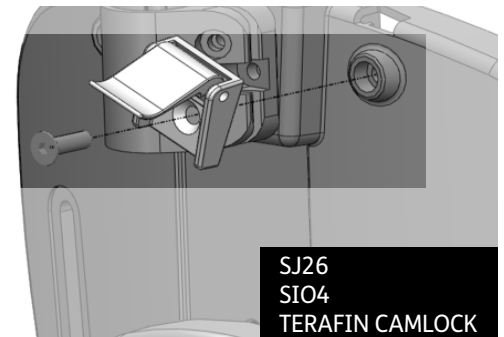
SQSE shoulder ext



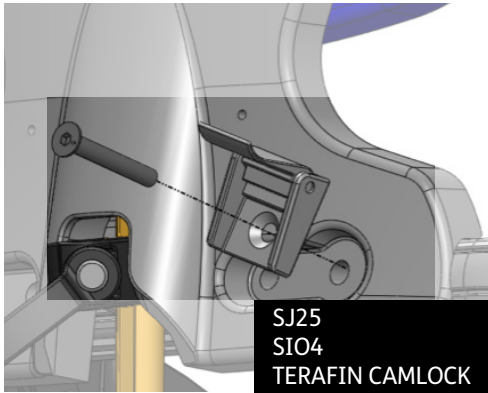
Mygo Lower



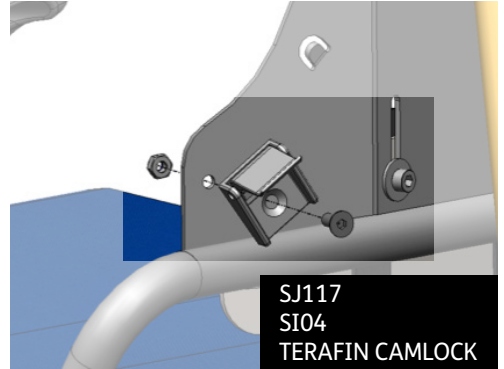
SQSE upper



SQSE lower

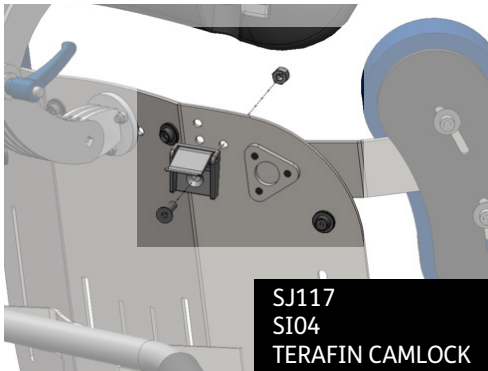


EDS 2&3 lower



LECKEY Everyday Activity Seat

EDS 3 upper



EDS 1 upper



EDS 2 upper



EDS 1 lower

