

M01278 Over Bed / Chair Table (No Castors)

M15691 Over Bed / Chair Table (Castors)

⚠️ General Safety Warning ⚠️

Please make sure that you read and follow these instructions carefully. Keep these instructions in a safe place for future reference.

1. INTENDED USE

Designed for use when sitting in either a chair or bed these tables provide an adjustable height flat surface for reading, writing, eating etc. The table top can be tilted for increased comfort during use.



2. SAFETY



Warning: Do not overload the table top, 5kg Max Load.

CHECK hand-wheels are secure at regular intervals.

DO NOT attempt to use the table as a walking aid.

DO NOT attempt to sit or stand on the table.

3. UNPACKING

Remove the packaging and check all parts carefully. Contact your supplier immediately if parts are missing or damaged and do not try and assemble.

3.1 Contents:

1. Table Leg with Castors (M15691) x 2
2. Table Leg without Castors (M01278) x 2
3. Cross Bar (with Castors) x 1
4. Telescopic Tube x 1
5. Hand-wheel - Long-screw x 2
6. Hand-wheel - Short-screw x 2

4. ASSEMBLY/INSTALLATION

4.1 Frame Assembly:

1. Refer to Figure 1. Position the cross brace over the two side frames as shown.



Figure 1: Assemble the Cross Brace

2. Use the 2 x long-screw hand-wheels to secure the cross brace to the side frames.

4.2 Table-top Assembly:

1. Turn the table top upside down and lay flat.

Note: The table-top brackets are set at different distances from the table-top edges.

2. Slide the two silver telescopic tubes through the first set of brackets closest to the edge of the table-top.

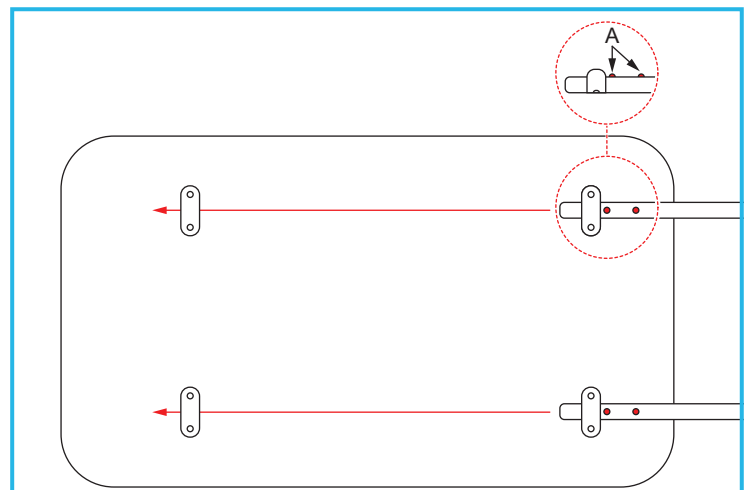


Figure 2: Assembling the Table-top

3. Press in the button clips (A), then slide the telescopic tubes all the way through the first set of brackets.

- Slide the telescopic tube through the second set of table-top brackets.

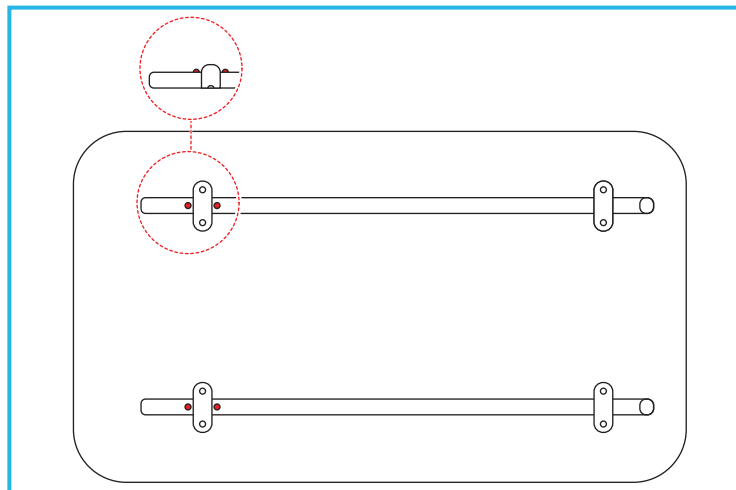


Figure 3: Assembling the Table-top

- Refer to Figure 3. Push in the first telescopic tube button clip, then slide the tube through the bracket until the button clip clicks back into place.
- Repeat step 5 for the second telescopic tube.

4.3 Connect the Table Top to the Base:

- Refer to Figure 1. Slide the telescopic tubes into the open ends of the two side frames and secure with the two short-screw hand-wheels.

5. IN USE

5.1 Adjust the Height

Loosen both of the hand-wheels at the top of the two black side frames by turning anti-clockwise.

Lift the table top up or push down gently to move it to the required height.

Tighten the two hand-wheels by turning clockwise to secure in position.

5.2 Adjust the Angle

Note: The table top can be tilted towards the user to a maximum of 45°.

Loosen the hand-wheel at the top of the black side frame furthest away from the user.

Lift the far edge of the table top or push down gently to increase/decrease the angle of tilt.

Tighten the two hand-wheels by turning clockwise to secure in position.

5.3 Operating the Brakes

The 'rear' 2 castors are fitted with brakes.

To apply: firmly push the brake lever down until it clicks into position.

To release: lift the brake lever up until the castor is free to rotate.

6. MAINTENANCE

Check castors are securely fitted and are free to rotate. Remove any build-up of dirt/debris.

Check the height and tilt adjustment operates correctly and the hand wheels are tight.

Inspect product regularly for signs of wear. Any suspected faults or damage should immediately be reported to the supplier and the product taken out of use.

7. CLEANING INSTRUCTIONS.

Clean regularly using a general purpose, neutral detergent and warm water.

Please check the suitability of the cleaning products before use. Do not use abrasive cleaners or cloths as these could permanently damage the surface and invalidate any warranty.

Allow product to fully dry prior to use/storage.

Always check local authority guidelines for additional advice regards cleaning healthcare products.

8. PRODUCT DISPOSAL

This product must be thoroughly cleaned/sterilised prior to disposal.

This product is manufactured from metal, plastic and wood and can be disposed of through Local Authority Household Waste and Recycling Centres or through Local Trade Waste Collectors.

9. PRODUCT GUARANTEE

NRS Healthcare guarantee this product for a period of 12 months, from the date of purchase, against faulty materials and workmanship.

This guarantee does not cover; abuse, misuse, interference or tampering with any part of the product.

Any guarantee issued by NRS Healthcare does not affect your statutory rights.

NRS HEALTHCARE Sherwood House, Cartwright Way, Forest Business Park
Bardon Hill, Coalville, Leicestershire, LE67 1UB, UK.

Tel: Customer Services: 0345 121 8111

Email: customerservice@nrshealthcare.co.uk

NRS Healthcare is a leading supplier of community equipment and daily living aids.
Please visit one of our websites to view our full range of products:
www.healthcarepro.co.uk or www.completecareshop.co.uk