

CATALYST 5

ACCESSORY FLIP CHART



ALLIED
MEDICAL
LIMITED

Ki Mobility

CATALYST 5

The Catalyst 5 is a high-performance folding wheelchair. Constructed from 7000 series aluminium and weighs only 10.5kg

There has become a perception that Ultra Light Weight means Ultra high cost – Not so with the Catalyst 5: Price is not a barrier

HEAT TREATMENT IS KI

Ki Mobility is the only major US wheelchair manufacturer to Heat Treat their wheelchair frames after welding. The heat generated during welding weakens the tubing area adjacent to the weld. This area is referred to as the “Heat Affected Zone”. Ki Mobility’s heat-treatment after welding significantly increases the strength and durability of the frame components.

DUAL INTERLOCKING CROSS BRACES ARE KI

The four interlocking cross tubes: Limit “racking” and minimize the forces that would otherwise torque the cross brace, eventually causing failure. Create a stronger overall design, while making the chair lighter.

DESIGNED FOR STIFFNESS OF FRAME FOR ULTIMATE EASE OF PUSH

Most wheelchair seat rails sit above the frame unsupported. A “between-the-rails” frame design uses the side frame to improve support for the cross brace. The steel reinforced, composite seat hooks mount on the front and back of each side of the frame.

This construction provides you with a frame that is:
More Rigid • Stronger • Lighter • Easier to fold

STRUCTURAL INTEGRITY – POWER HINGE

The Catalyst’s patented Power X-Hinge revolutionizes the folding frame by acting as an extensible link that expands and contracts when the frame folds and unfolds. This allows for a unique geometrical frame design that is structurally sound and eliminates the racking and looseness inherent in frame designs that incorporate upholstery as part of the structure.

LEGRESTS

Using Pressed Metal instead of plastics gives the Catalyst improved performance and robustness of use. Both the frame mounting and locking pin are pressed metal.

FOLDING BACKREST

Integrated folding backrest makes the Catalyst one of the smallest disassembled wheelchairs for transport.



Frame

Heavy Duty Option



159kg weight capacity
Requires minimum 6" castor height

Aluminium Cross Braces



Seating System Cross Braces



Special cross braces and seat hook supports free up space on the side frame for easy seating system adaptability.

Transit



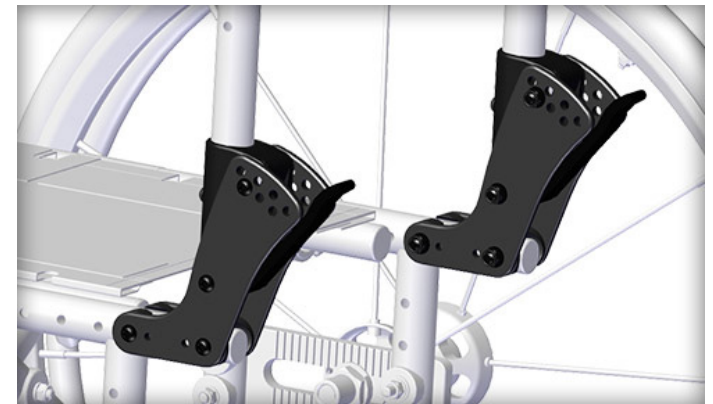
Conforms to WC-19 Standard

Fixed Front Frame



A stronger and lighter frame design, favored by people who do not need swing away hangers, but still need to fold up their chair. Available in 70°, and 80°.

Depth Adjustable Frame



This rear frame option includes depth adjustability, a fold-down back and up to 32 degrees of angle adjustability.

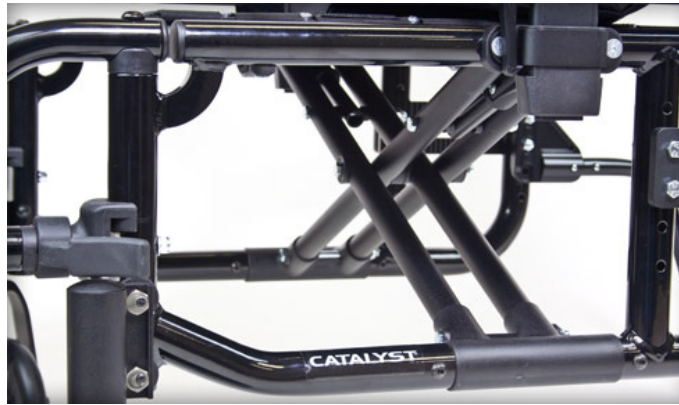
Frame continued

Swing Away Frame



Our classic front frame. Allows the use of swing away footrests.

Super Low Swing Away



Similar to the standard swing away frame, it lowers the overall seat height by 1.5". Ideal for foot propellers. Allows the use of swing away footrests

Titanium Frame



Does every ounce matter? Upgrade to a Ti3AL/2.5V Titanium frame to get the lightest CAT 5 frame possible.

Titanium Cross Brace



Backrest

Straight with Push Handle



The back cane is vertical to the frame with a 90° bend at the top for a push handle.

Straight without Push Handle



The back cane is vertical to the frame, ending at the exact height you choose. The push handle has been removed to create more freedom for shoulder rotation.

8° Bend with Push Handle



The back cane is vertical to the frame for 9", then bends away at an 8° angle. This opens up the back slightly and might be considered a more comfortable seating position.

Straight w Fold Down Push Handle



Not available with Heavy Duty option.

Low Profile Handle



2" shorter than standard push handles.

Removable Stroller Handle Extension



A handle that plugs into the back cane to provide a more ergonomic position of the hands. Removable and reversible while adding rigidity.

Backrest continued

Seating Dynamics Rocker Back



Shock absorbing back frame reduces stresses on the frame from high tone riders. Available only with T-Arms.

Reclining Backrest



Incorporates an automatic locking feature into the gas spring for a smooth, positive recline motion. Recline angle 0-65 degrees. Choose from Standard Spring or Heavy Duty Spring.

Angle Adjustable Back Posts



18° of angle adjustability, in 3° increments.

Half Folding Backrest



Easily fold the back canes down for a more compact package. Height adjustable with multiple push handle options and tension adjustable back upholstery.

Height Adj. Straight with



Push Handle Back

Available with the Depth Adjustable Rear Frame offering height adjustment and several push handle options.

Stroller Handle Backpost



Available with the Depth Adjustable Rear Frame offering height adjustment and several push handle options.

Upholstery

Standard Back Upholstery



Uses 1" poly-foam with a nylon parapak cloth cover. Very comfortable and shear resistant. Not available with Short or Medium Back Height Ranges on 20" - 22" Seat Widths.

Tension Adjustable Upholstery



Adjustable straps allow independent support for the pelvis and trunk, improving postural control and alignment.

Air Mesh



Breathable back upholstery cover improves air flow. Available on both standard Velcro adjustable and tension adjustable upholstery. Anti-pilling fabric along the sides improves durability and helps protect from wear when in contact with abrasive surfaces such as Velcro.

Other Fixed Back Supports



Footrest

Extension Tube Hanger



The most intuitive hanger on the market allows you to attach and detach from any angle or position. Available in 60°, 70°, and 80° versions. Short, Medium, Long.

Front Mount Hanger



With 3.5" knee-to-heel capability in 5" increments. Available in 70°, 80° and 90° versions.

Pro ELR



Pro ELR has an adjustable pivot location to promote proper knee placement and an adjustable calf pad for personalised fit from client to client.

Paediatric Pro ELR



Patented adjustable pivot location to promote proper knee placement and an adjustable calf pad for personalised fit.

Aluminium Locking Multi-Angle



Infinite adjustment in multiple axes to accommodate difficult positioning requirements such as inversion, eversion, plantar, and dorsi- flexion. Optimizes support, pressure distribution, and postural alignment.

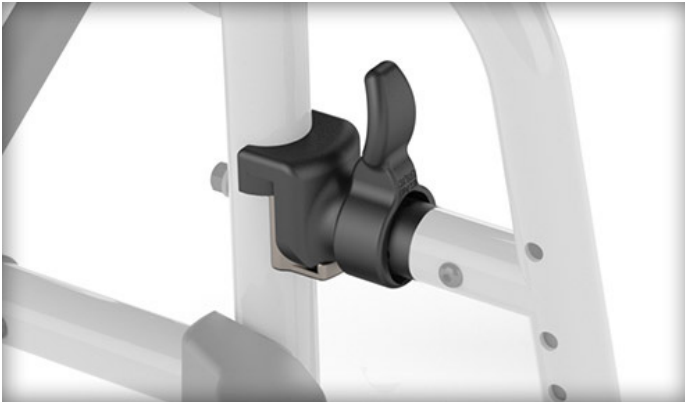
Classic Hanger Release



Our classic front frame. Allows the use of swing away footrests.

Footrest continued

4 Way Hanger Release Inline



Mount in 4 different positions with one bolt. 4-Way-In Line position provides best optimisation for caregivers.

4 Way Hanger Release Out



Mount in 4 different positions with one bolt. 4-Way-Out provides best optimisation for clients.

Composite



Made from a fiberglass filled nylon composite, these footplates are lightweight and tough, making them hard to bend or break. Not available with Front Mount Hangers.

Composite Angle Adjustable



The Composite Angle Adjustable footplate makes adjustments fast and easy. Includes adjustments of the angle as well as fore and aft positioning of the footplate.

One Piece Flip Up Angle Adjustable



Solid, angle adjustable, aluminum footplate provides an excellent surface for your feet and increases rigidity at the front. Not available with Front Mount Hangers or Elevating Leg Rests.

Aluminium Angle Adjustable



Infinite adjustability for more accurate placement of the foot. Aluminum plates have slots for ankle straps and multiple attaching holes.

Footrest continued

Residual Limb Support



Just as easy to operate as our patented swing away hangers swinging in & out. An incredible amount of adjustment within the system allows you to achieve the exact position and angle.

Heel Loops



Cradles the foot and helps keep it on the footplate. Not available with One Piece Flip Up Angle Adjustable Footplate.

Castors

Rollerblade



Available in 3" and 4". Not available with 5", 6" and 8"
Castor Sizes

Lighted Rollerblade



Similar to the standard microcaster. Add some style
to your chair. Available in 3" and 4". Not available
with 5", 6" and 8" Castor Sizes

1" Poly



This outstanding design uses molded polyurethane
to create a great tyre. Measuring 1" in width, this
castor is available in 4", 5", 6", 7" and 8".

1" Poly Aluminium



Uses a 3-spoke aluminum hub for added strength
and styling. Not available with 6" and 8" Castor Sizes

Pneumatic



A low cost way to get a great and comfortable ride.
You just need to add air from time to time. Not
available with 4", 5", 6" and 7" Castor Sizes

1.5" Poly



This outstanding design uses molded polyurethane
to create a great tyre. Measuring 1.5" in width, this
caster is available in 4", 5" and 6". Not available with
7" and 8" Castor Sizes.

Castors continued

Soft Roll Aluminium



3-Spoke ultralight aluminum hubs, highly resistant, with improved mobility.
Not available with 7" and 8" Castor Sizes

6" x 2" Poly



This tyre is quite firm with a subtle radius so that it is easy to push on hard surfaces and gives you great flotation on soft or uneven ground.

Pneumatic with Foam Insert



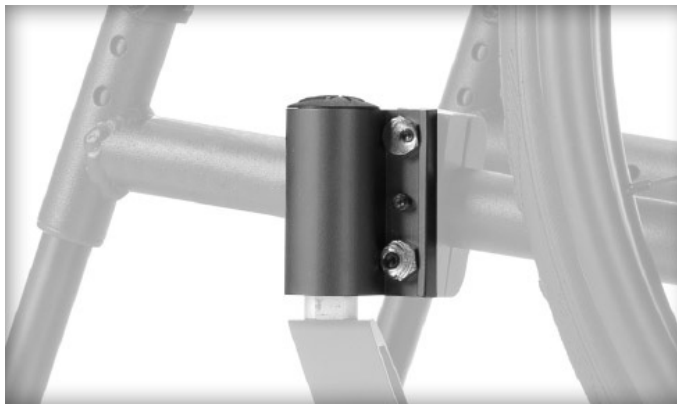
A low cost way to get a great and comfortable ride. These castors have a foam insert so no air is needed.
Not available with 4", 5", 6" and 7" Castor Sizes

Performance Castor Housing



A Low cost, on-chair option that allows you the ability to achieve up to 3.5" of dump!

Standard Castor Housing



Forks

Frog Legs Suspension Fork



Reduce vibration, prevent pitching. Ultra shock absorbing. Not available with Heavy Duty option.

Frog Legs 2 Suspension System



Constructed from a Carbon composite material which results in a 30% weight reduction over the standard Ultra Sport Fork. This new shock absorbing fork option is rated up to 158kg.

Catalyst Standard Fork



Available in multiple sizes for optimal front seat height adjustment as it relates caster and stem selections.

Pin Locks



When engaged, the pin locks prevent casters from rolling during transfers.

Wheel Locks

Push or Pull to Lock



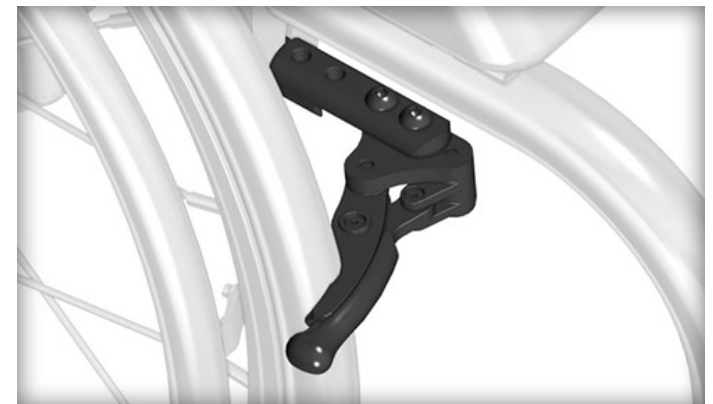
After engagement the lever is at 45 degrees. Lever is easily reachable.

Push to Lock Flush Mount



After engagement the lever is flush to the seat. Lever moves out of the way for people who perform lateral seat transfers. Brake extensions and grab aids not available.

Low Profile Scissor Lock



Low profile and easy to engage with a sleek and ergonomic design. Low profile and easy to engage with a sleek and ergonomic design. Not available with Low Poly Tyres or Ext. Handles.

Short Thro Scissor Lock



Short Thro lever has a very short travel. It is much easier to reach and stays where you put it. Low mount keeps the wheel lock out of sight and away from your push.

Push or Pull with Extensions



For people with limited strength, this design requires very little effort to engage. Removable 6" fold-able extension increases leverage.

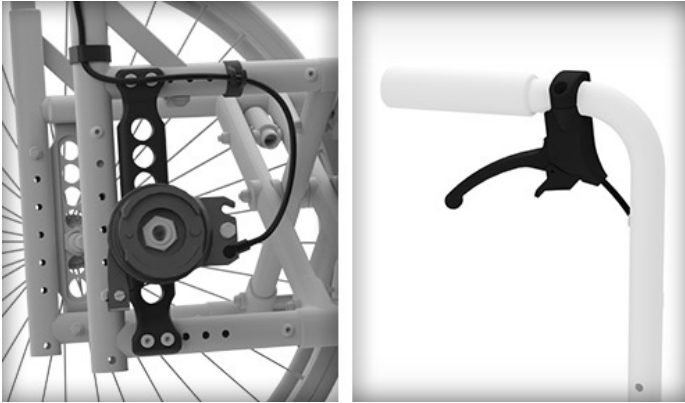
Grade Aids



Grade aids prevent your wheel from rolling backwards when you push up a hills. Available with Push or Pull brakes only.

Wheel Locks

Drum Brake



Acts as a true brake allowing the chair to be slowed as opposed to just locking the wheel.

Wheels

Spoke with One Arm Drive



Available with 20", 22" and 24" spoke wheels, with or without camber for better handrim access and ease of propulsion. For the drive handrim choose from standard aluminium anodized or poly coated.

Maxx Performance Spoke



Eighteen radial spokes and a high flange hub design. Increased rigidity and lightweight for better performance and responsiveness. High quality material construction with a durable black satin finish.

Maxx w/ Drum Brake



This hybrid wheel features a hub design with straight pull radial spokes on outside flange. Inside flange has a 2 cross spoke pattern to handle the torque resulting from stopping a larger wheel by the relatively small hub.

12" Mag w/ Drum Brake



Available with Poly (Left Image) and Pneumatic tyres.

16" Mag w/ Drum Brake



Available with Poly, Airless Insert and Pneumatic tyres.

Mag



Our 5-spoke composite wheel is 20% lighter than the competition and maintenance free.

Wheels continued

Superlight Spoke



As light as any wheel on the market, this wheel is stiff and very high performance. Available only with 24" and 25" Wheel sizes, not available with Heavy Duty Option. Wheel weight 1.2 lbs / 0.54 kg.

Spinergy Spox



The name to trust in performance wheels. Extremely reliable and comfortable for your everyday needs. Not available with 20" wheel size. Wheel weight 1.6 lbs / 0.73 kg.

Spinergy LX



Spinergy's Light Extreme (LX). With 12 high strength spokes the wheel is ultra strong and stiff for maximum performance while offering a very cool and minimal look. Available only with Aluminium Anodised and Plastic Coated Handrims. Wheel weight 1.6 lbs / 0.73 kg.

Tyres

Street Pneumatic 1³/₈"



This standard air tyre is more forgiving when going over obstacles and off curbs or stairs. Not available on 25" Wheel Size.

Full Profile Poly 1³/₈"



Corded to prevent it from rolling off the wheel. Provides a softer ride than other low cost "over-molded" tyres. Not available on Superlight or 25" Wheel Size.

Pneumatic w/ Airless Insert 1³/₈"



Low density foam is inserted into a pneumatic tyre. Low maintenance - no air, no flat tyres! Not available on Superlight or 25" Wheel Sizes.

Schwalbe HS 127



Smooth rolling grey tire with Schwalbes K-Guard puncture protection. Available on the 24" Wheel Size. Not available on Mag Wheels.

Euro Trek Knobby



All type of weather conditions tyre, on and off road. It has a more aggressive tread pattern than a standard pneumatic tyre. Available only on 24" Wheel Size.

Low Profile Poly 1"



A softer ride than low cost "over-molded" tyres. Corded to prevent it from rolling off the wheel.

Tyres continued

Sentinel Solid 1"



The Sentinel Solid 1" tyre is a new durable, lightweight solid PU tyre option. Offering improved ride quality with decreased rolling resistance. Not available on Superlight Wheels.

High Pressure 1"



High pressure, puncture resistant performance tyre. 50kg of pressure. High pressure tyres have minimal rolling resistance. Depending on size of wheel, tyre brand and color may vary.

Schwalbe One 1"



This fast, reliable and lightweight tire also features great puncture protection with the Schwalbe V-Guard. Not available on Mag Wheels, 20", 22" or 26"

Schwalbe Marathon Plus

Evolution 1"



Top of the class in performance and durability. Non-marking black tyre. Has a thin line of gel inside to seal punctures and keep you running. Not available on Mag Wheels, 20" or 22" wheel sizes.

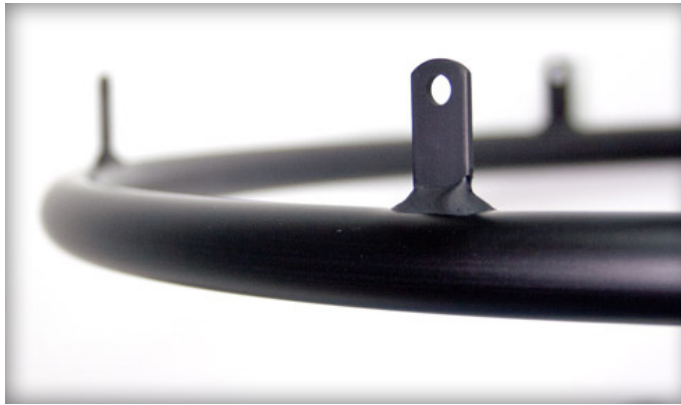
Handrims

Aluminium Anodized



Aluminum is lighter than steel and stronger than plastic and won't rust.

Superlight



Made of thinner and stronger aluminum to save weight. Saves almost 450g per chair. Available only on 24" and 25" Superlight and Spinergy Wheels, Not available with Heavy Duty Option.

Plastic Coated



For people who need assistance with grip, but do not require projections. Dipped in Vinyl, they are coated to create a tacky surface for gripping.

Hard Anodised



Extra Hard surface is harder to scratch. Comes standard on 24, 25 and 26" Ki Spoke Wheels.

Projection



8-3/8" poly-coated vertical projections for individuals with limited grip strength. Available on 22, 24, 25 and 26" Spoke wheels and 24" Mag wheels with full tyres.

Flex Rim



Aptly named, the flex rim conforms to the pressure the rider puts into it to enable it to respond quicker and feel better than traditional handrims. Available only on 24" and 25" Spinergy LX Wheels

Handrims continued

Natural Fit Standard



Eliminates pushing on the tire and eases pain in the hands and wrists. Offers a better grip for a better push and more control when braking.

Natural Fit Super Grip



Offers a better grip for a better push and more control when braking. The Super Grip uses a higher friction surface for extra grip.

Natural Fit LT



Offers a better grip for a better push and more control when braking. The LT is a smaller gripping surface.

Natural Fit LT Super Grip



Offers a better grip for a better push and more control when braking. The LT is a smaller gripping surface. The Super Grip uses a higher friction surface for extra grip.

Micro Grip



Micro Grip Non-Slide Tape enhances your grip in dry, wet, and snowy conditions! Made of micro-injected silicone and 3M adhesive. Not available on Plastic Coated or Projection.

Axles

Quick Release Axle



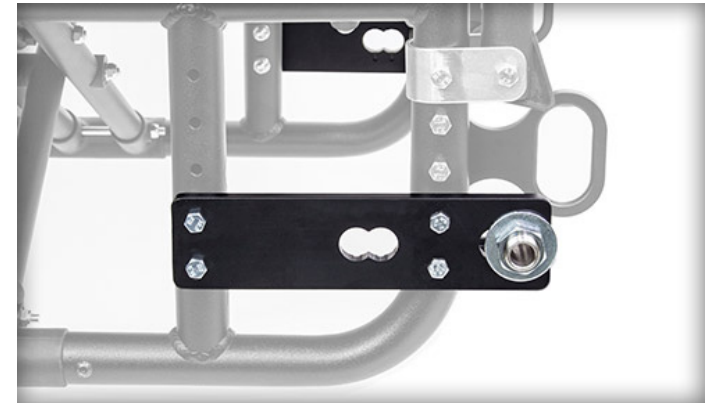
Standard axle with a quick release button for easy wheel removal.

Quad Quick Release Axle



The flip lever on the quad quick release requires very minimal hand strength for greater independence. Not available with Mag Wheels.

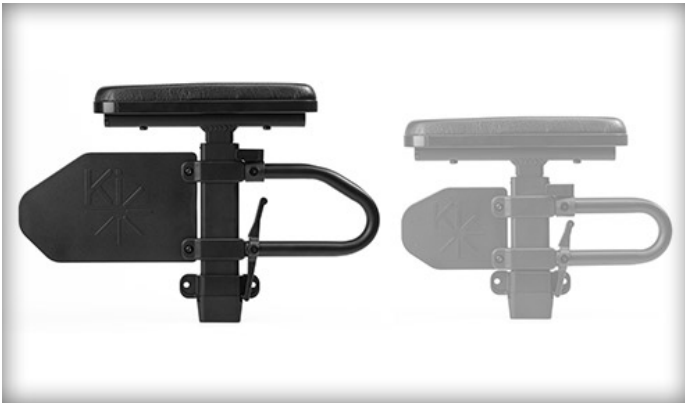
Amputee Axle Plate



The amputee axle plate moves the CG far rearward, increasing wheelchair stability. Not available with Swing Away Armrests. Required with Reclining Backrest.

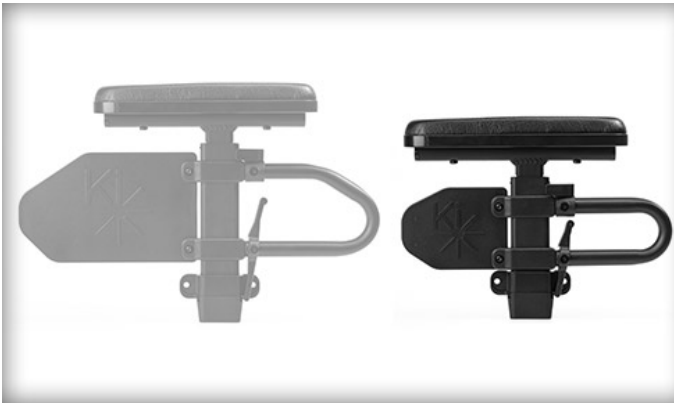
Armrests

Height Adjustable T-Arm



The single post height adjustable arm is easy to release and adjust in height. Lower profile and lighter than competitive models. Available in 8.5-13.5".

Height Adjustable T-Arm Low



The single post height adjustable arm is easy to release and adjust in height. Lower profile and lighter than competitive models. Available in 7.5-11.5".

Height Adjustable Flip Back T-Arm



This easily retrofittable Height Adjustable Flip Back T-Arm arm reduces interference on the back canes for less restriction with aftermarket seating. Not available with Depth Adj Back Posts.

Flip Back



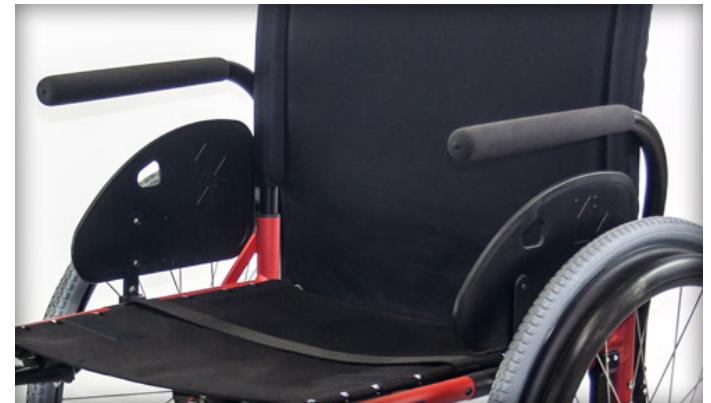
This 2-post arm design offers solid support flipping out of the way remaining on the chair and readily accessible. Not available with Seat Depths <16" or Angle Adj or Depth Adj Back Posts.

Angle Adj Locking Extendable



Cantilever armrest approved to 181kg. Locks into position by a spring loaded latch while extending up to 4" in 1" increments and 7 angle adjustments in 5° increments from -5 to 25°.

Swing Away with Side Guard



Swing Away Arms with the direct mount Side Guard panels. 10.5" - 12.5". Not available with Angle Adj. or Depth Adj. Back Posts or Arm Pads.

Armrests continued

Swing Away



Easy to swing away. Easy to remove. The cantilevered arms help to keep your chair light yet provide a solid hold for transfers and weight shifts.

Standard Armpads



Padded and textured armrest pad available in both full and desk lengths.

Waterfall Armpads



A generously padded waterfall design providing additional comfort and protection. Available in Full and Desk lengths

Foam Grip



Foam Grip armrest pad available in both full and desk lengths. Available only with Angle Adj Locking Extendable Flip Up Armrests.

Positioning Belts

1.5" Auto Buckle



Using a double-pull to ensure the buckle remains in the proper position and attaching hardware for proper placement on the frame our new belts are an industry best value.

1.5" Padded Auto Buckle



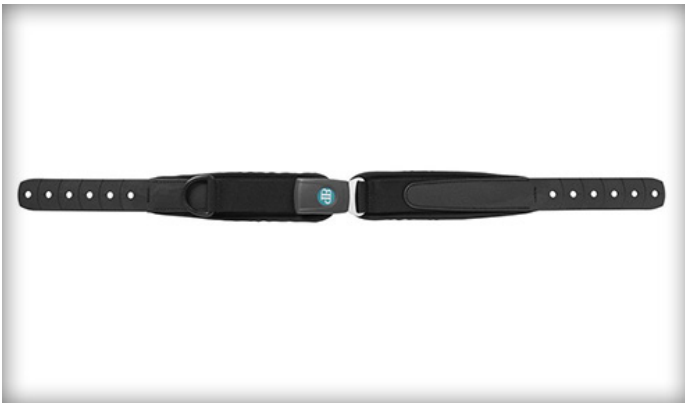
This belt has a wide 3.5" pad for riders who may need additional padding.

2" Airline Buckle



This belt uses an airline style buckle that can add a degree of security. It uses a wider 2" belt.

BodyPoint EvoFlex Pelvic Stabiliser



Stays where you need it. Provides stability and flexibility. Versatile and easy to use. Stiffened end straps keep belt from twisting. Sized for users 15kg to 130kg. Available in XS, M and L

BodyPointBelt Mounting Kit



Mounting hardware for the BodyPoint Pelvic Stabiliser.

Velcro Adjustable Calfstrap



Sitting behind your calf it is adjustable in length and supports your lower leg.

Positioning Belts

Padded Velcro Calfstrap



This calfstrap supports a soft and durable 4"-wide neoprene pad.

Bodypoint Aeromech Calfstrap



Provides comfortable support, keeping feet safely on the footplates. Retains its shape for the best pressure distribution and durability.

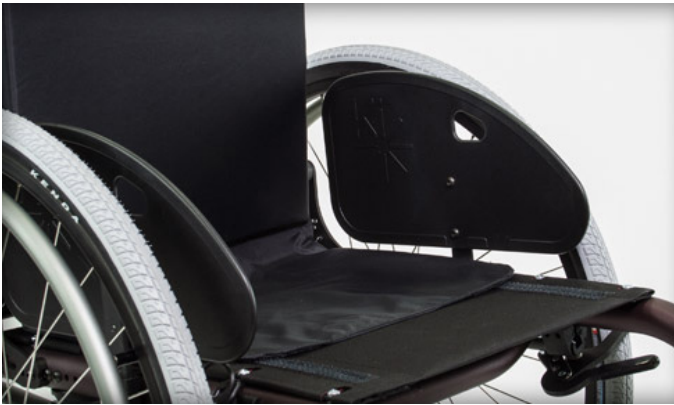
Accessories

Aluminium Straight Side Guards



Easily removable side guards, lightweight and help keep road grime away from the rider. Comes standard in a matte black finish or for added personalization can be painted to match any frame colour.

Composite Side Guards



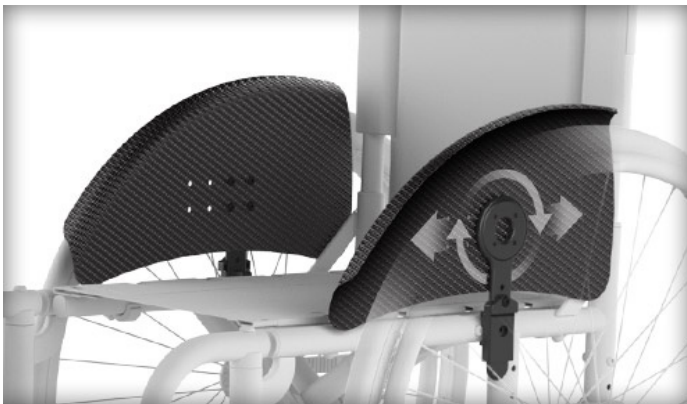
Lightweight and attractive, these easily removable side guards help keep road grime away from the rider. Plastic and Paediatric sideguards are height adjustable.

Aluminium Adjustable Fender w/ Foam Pad



Easy to adjust for the perfect position, this Aluminium design has a padded insert that adds a layer of comfort and protection. Comes in Black Matte or can be painted to match your frame.

Carbon Fiber Adjustable Fender



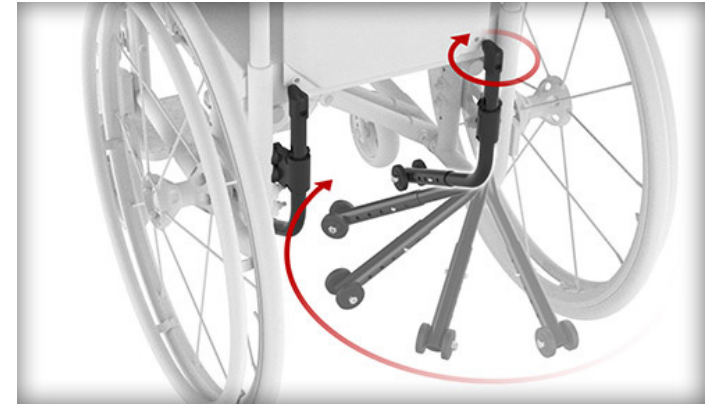
Easy to adjust for the perfect position, this Carbon Fiber design keeps your chair ultra-lightweight while adding style and protection from the road.

Catalyst Rear Anti-Tip



Under any wheel configuration these anti-tips can be positioned for safety without interfering with the caregiver. Locates off the axle assembly.

Swing-In Anti-Tip



Swing-In Anti-Tips swing in under the frame so they are there when you need them and gone when you don't. Available in pairs, Left or Right mounting options.

Accessories cont.

Removable Aluminium Seat Pan



Fixed or removable aluminum seat pan.

Luggage Carrier



A two part grip inlay to keep your luggage in place with a 25 kg. weight capacity. Each kit comes with clamps for both frame and footrest tubes to allow for optimal positioning.

Neoprene Impact Guards



Sometimes the chair gets "banged" around. These cool neoprene impact guards take some of that force and help keep your chair a little safer.

Backpack



A total of 7 storage compartments. Additional 1.5" depth accommodates a zippered padded storage pocket to hold a laptop or tablet.

Paediatric Backpack



For use on chairs down to 9" wide. This smaller size features additional reflective piping details, padded protective pocket, 2 water bottle holders, 5 compartments and adjustable straps.

Removable Underseat Pouch



Easy to access pouch for under the seat. 8.5" wide by 6.5" tall.

Accessories cont.

Tool Kit



Custom designed kit includes 7 simple tools necessary to make any adjustments on your Ki chair, a convenient LED light and carabiner clip for easy attachment.

Cane and Crutch Holder



Positionable cup to accept most cane and crutch tips

IV Pole



Extendable and adjustable IV Pole

O₂ Holder



Built in angle adjustability so it is easier to accommodate for back angle and aftermarket seating and positioning systems. Can be mounted to either left or right side of chair.

Canopy



Help shield your child from the sun's harmful rays. The unique Flip-Up visor channels water off to the side or extends downward for extra protection from the elements.

Spoke Guards



Black or clear acrylic protects fingers from getting caught in the spokes and looks sleek.

Accessories cont.

Gel Pad for Pro and Ped ELR



Available for both the Pediatric Pro ELR and Pro ELR, these wraparound pads are cushioned with Gel to provide additional comfort and protection at the knee area.



0800 31 61 81
helpis@allied.co.nz

