

# KARMA FLEXX JUNIOR

## ACCESSORY FLIP CHART



ALLIED  
MEDICAL  
LIMITED



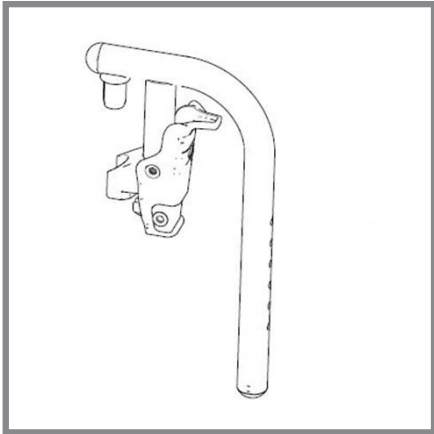
**karma**

A Better Wheelchair, A Better Fit

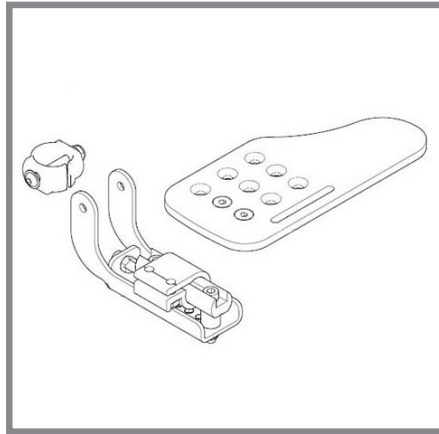
# Standard On Chair Parts

The parts below are included on all Flexx Junior Wheelchairs

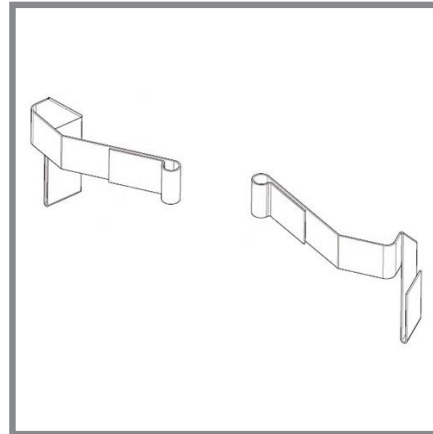
90° Swingaway Legrest



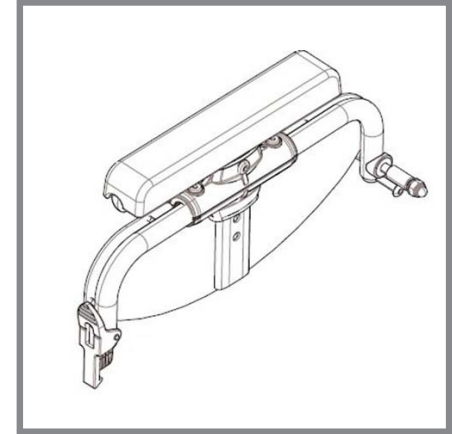
Flip up Angle & Depth Adjustable Footplate



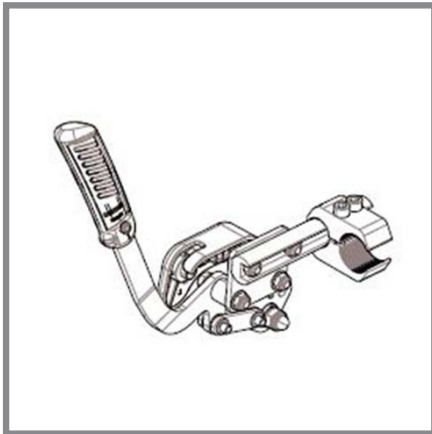
Heel Loops



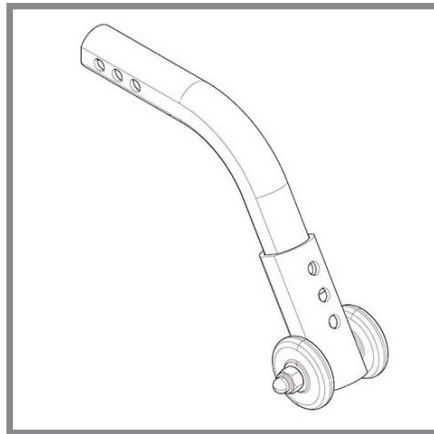
Flip Back Height Adjustable Arm Supports



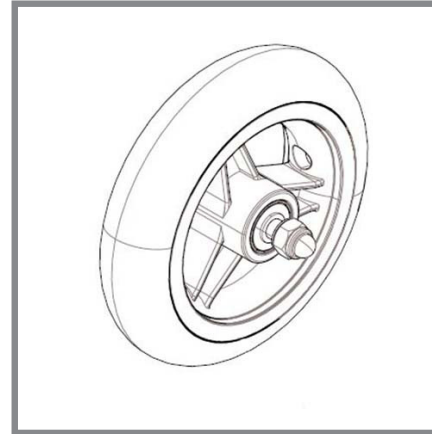
Push to Lock with Brake Extension



Anti Tippers

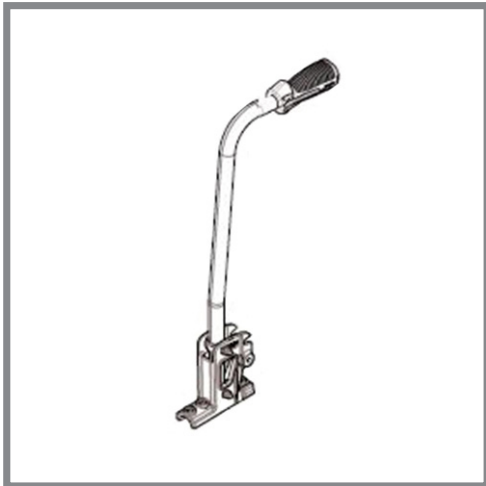


5" Castors



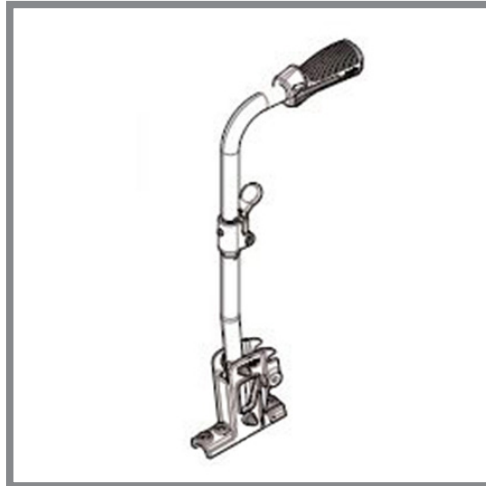
# Back Canes

Angle Adjustable Back Canes



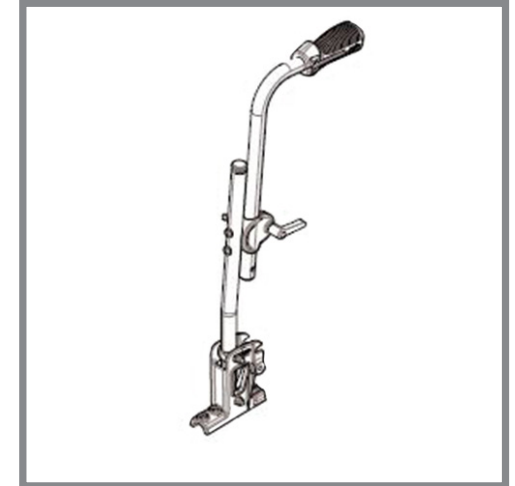
- Comes standard on the Flexx Junior
- Angle adjustable
- 14.5" back height

Angle Adjustable Folding Back Canes



- Angle adjustable
- Folding for storage and transportation
- 14.5" back height
- Specific folding upholstery required (see second image on the next page)

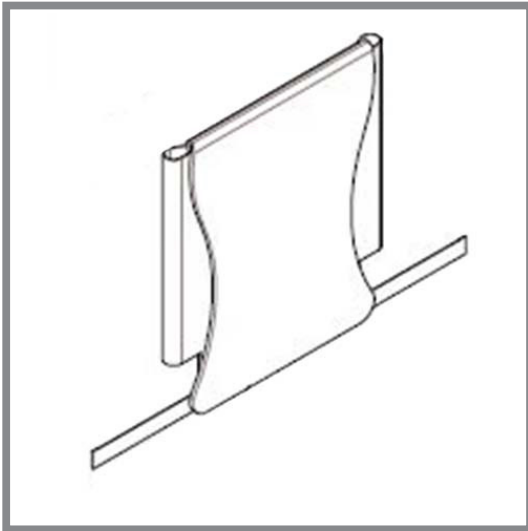
Angle Adj Back Canes w/ Height Adjustable Push Canes



- Angle adjustable
- Height adjustable push canes
- Great for multiple carers
- 14.5" back height
- Height of push cane from ground 31 - 37" (775-930mm) (dependent on castor, seat height and back height)
- Specific folding upholstery required (see second image on the next page)

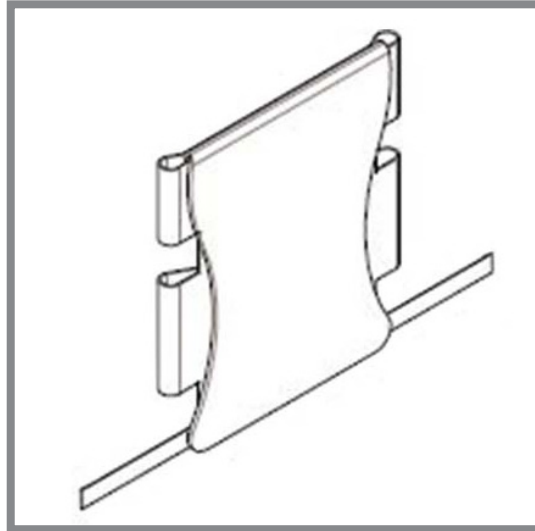
# Back and Seat Upholstery

## Padded Upholstery



- Comes standard on the F Junior
- Goes with the standard adjustable back canes
- Two sizes: 10-11" and 12-14"

## Padded Upholstery for Folding & Height Adj Push Canes



- This upholstery is needed when choosing folding back canes or the back canes with height adjustable push canes
- Two sizes: 10-11" and 12-14"

## Alternative Back Supports & Cushions



- Variety of alternative back supports available
- Variety of cushions available
- Refer to the Backs and Cushions page

# Rear Wheels

Transit Tyre Plastic Rim



- Transit wheelchair option
- 14" available only

Pneumatic Tyre Spoked with Aluminium Handrim



- 20" wheel standard
- 22" wheel available
- Aluminium handrims

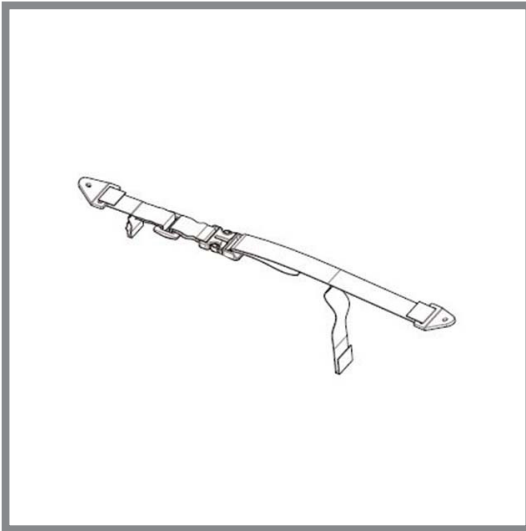
Solid Tyre Spoked Rim with Aluminium Handrim



- Available in 20" and 22"
- Aluminium handrims

# Positioning Belts

Standard 2 Point Hip Belt



- Comes standard on the wheelchair

Bodypoint 2 Point Hip Belt



- Bodypoint brand
- Variety of types available

Bodypoint 4 Point Hip Belt



- Bodypoint brand
- Variety of types available



Full range of Bodypoint hip belts available.  
Contact your Business Territory Manager for more  
information or view our range at [www.alliedmedical.co.nz](http://www.alliedmedical.co.nz)

# Back Supports & Cushions

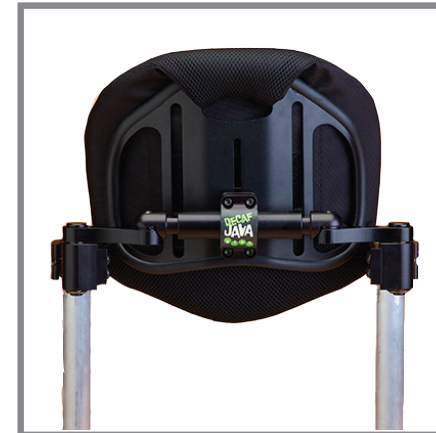
Varilite Junior Mid Back



Varilite Junior Deep Back



Ride Designs Java  
Decaf Back



Varilite Junior Cushion



Ride Designs Forward  
Cushion



Ki Mobility Axiom P  
Cushion





# Leg Support

## Elevating Leg Rests

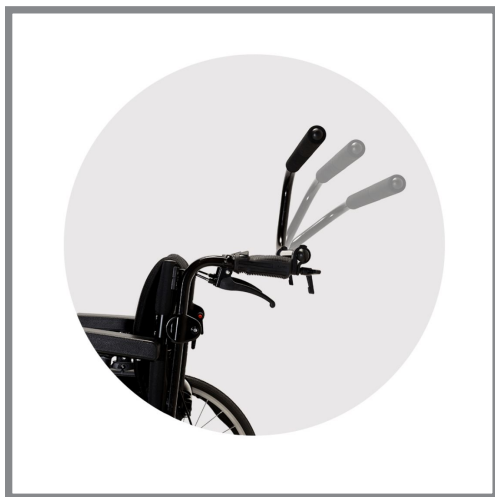


- Elevation of the legrest when flexion does not allow for the leg to sit at a regular position
- Footplate needs to be purchased separately



# Accessories

Height Adjustable Push  
Handle Extension



Tray



Karma Pouch Bag



Karma Backpack



Full range of wheelchair accessories available.

Contact your Business Territory Manager for more information or view our range at [www.alliedmedical.co.nz](http://www.alliedmedical.co.nz)



For more information, get in touch with your Business Territory Manager. If you are unsure of who your contact is, please call us and we will point you in the right direction.

0800 31 61 81 | [www.alliedmedical.co.nz](http://www.alliedmedical.co.nz) | [helpis@alliedmedical.co.nz](mailto:helpis@alliedmedical.co.nz)