

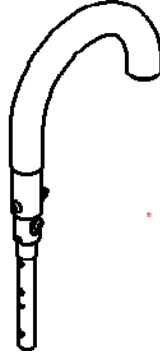
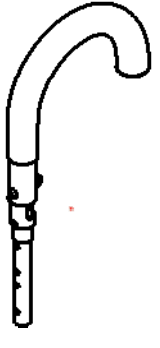
## Installation Guide For J-Hook Handles Of VIP2 Series



# TABLE OF CONTENTS

1. J-Hook Handles .....	1
2. Installation .....	1
2.1 Steps for installing the left/right J-Hook Handles .....	1

## 1. J-Hook Handles

Item	Appearance of the assembly	Description	Quantity
1		150200000944 VIP2 left J-Hook handles assembly (Black)	1
2		150200000945 VIP2 right J-Hook handles assembly (Black)	1

## 2. Installation

### 2.1 Steps for installing the left/right J-Hook Handles

2.1.1 Unfold the wheelchair.

2.1.2 Take apart the part A1.(See Figs. 1-1,1-2)

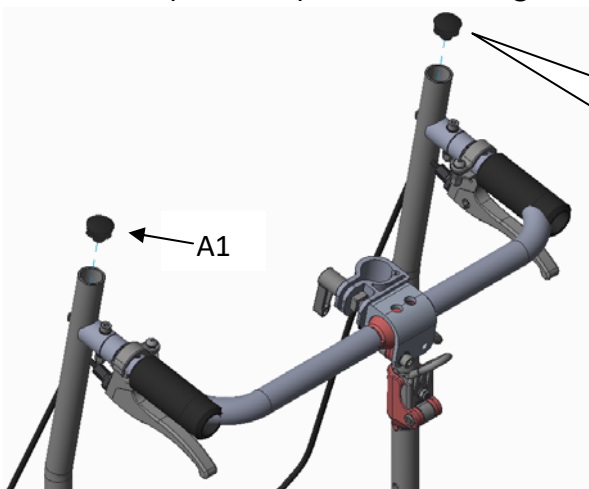


Fig. 1-1



Fig. 1-2

2.1.3 Use #4 hexagon wrench and #8 open-end wrench to loosen the parts B1 and B2.  
(See Figs. 1-3, 1-4)

2.1.4 Loosen the parts B1 and B2 on the other side with the same method.

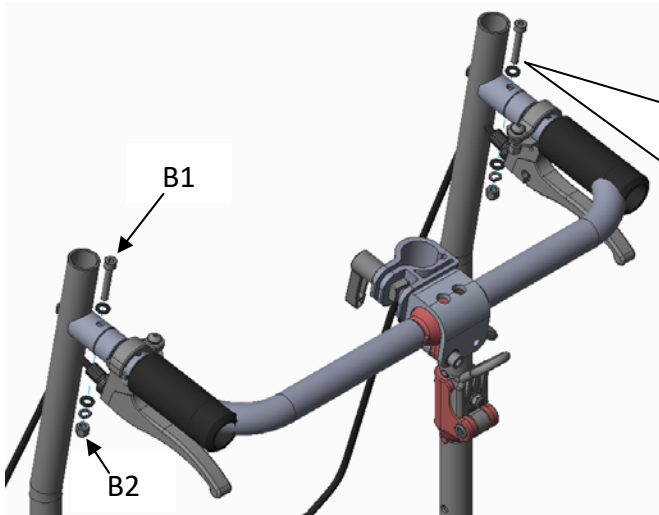


Fig. 1-3

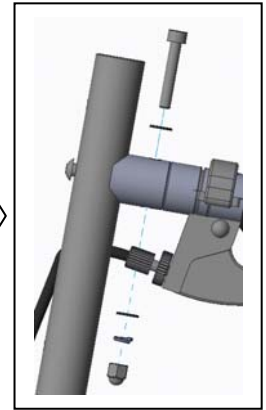
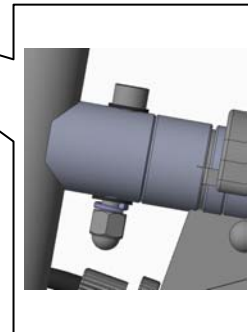


Fig. 1-4

2.1.5 Take out the part C1.(See Figs. 1-5, 1-6)



Fig. 1-5

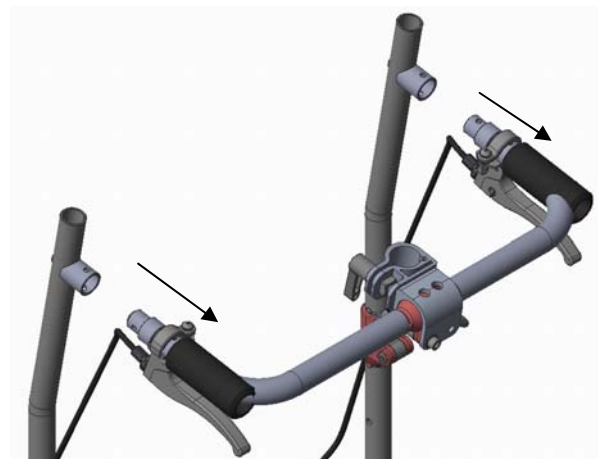


Fig. 1-6



**Caution**

Please do not drag or bend the brake cable.

2.1.6 Use Phillips screwdriver to loosen the part D1 and take apart the part D1 (only the part D1 on the A tube is required to remove). (See Figs. 1-7,1-8)

2.1.7 Loosen the part D1 on the other side with the same method.

2.1.8 After the part D1 is taken apart, fold the backrest cushion E1.

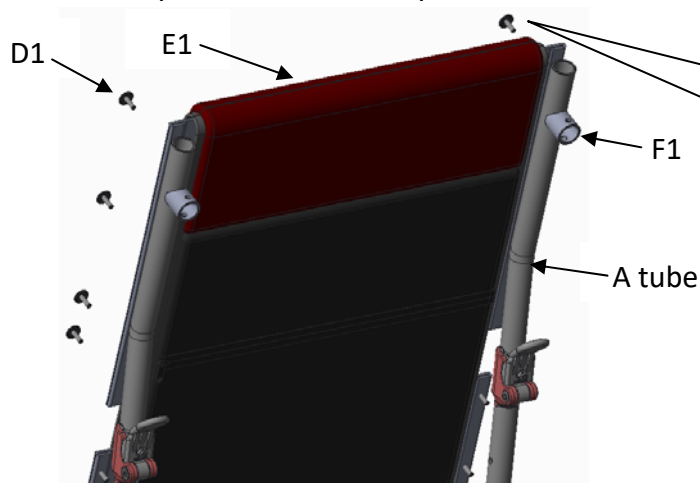


Fig. 1-7

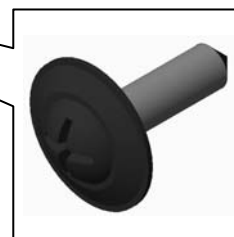


Fig. 1-8

2.1.9 Use #4 hexagon wrench and #10 sleeve wrench to loosen the part F1.

(See Figs. 1-9, 1-10)

2.1.10 Loosen the part F1 on the other side with the same method.

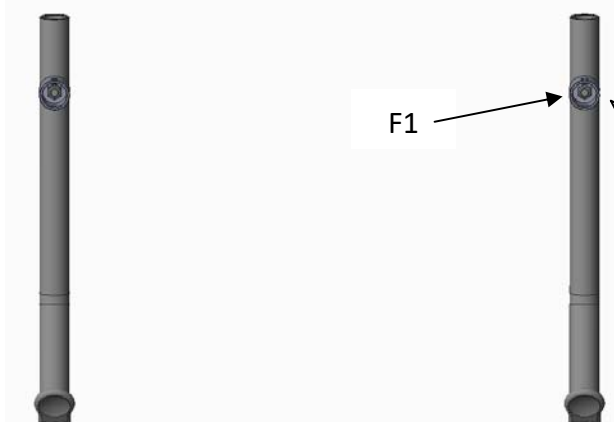


Fig. 1-9

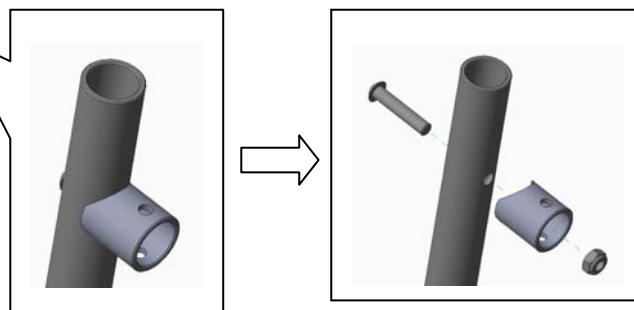


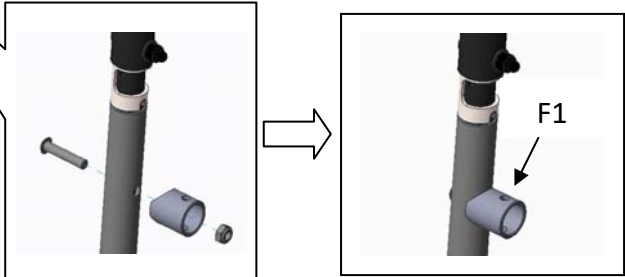
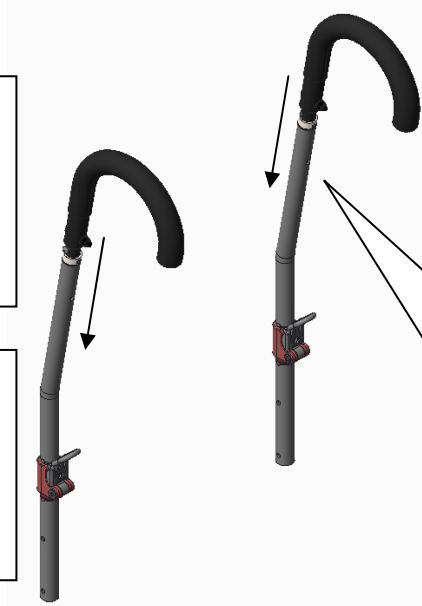
Fig. 1-10

2.1.11 Discern the left/right J-Hook Handles. (See Fig. 1-11)

2.1.12 Load the left and right J-Hook Handles. (See Fig. 1-12)

2.1.13 Use #4 hexagon wrench and #10 sleeve wrench to fasten the F1 part. (See Fig. 1-13)

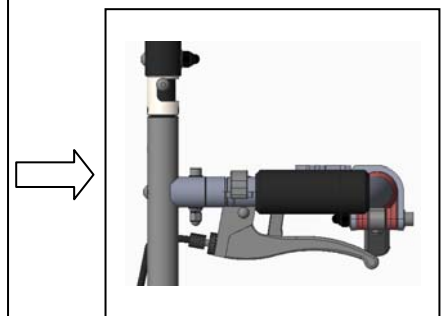
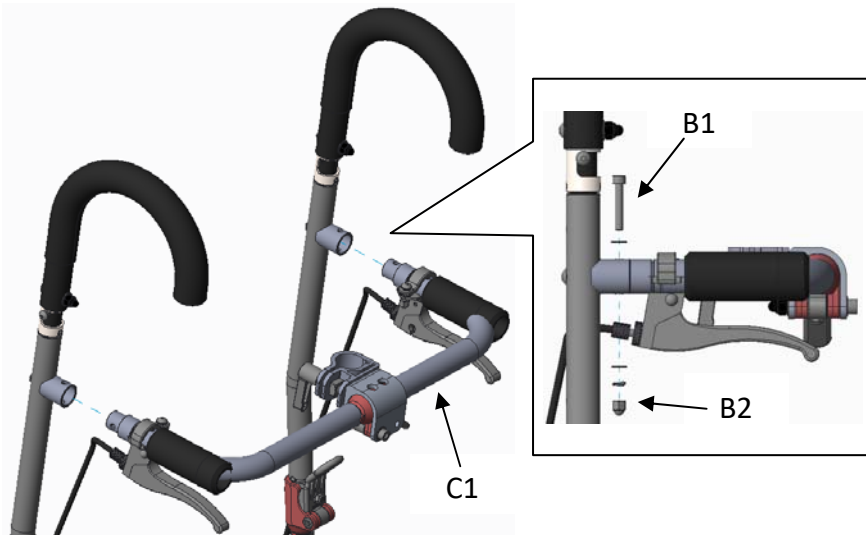
2.1.14 Fasten the other side with the same method.



2.1.15 Load the part C1. (See Fig. 1-14)

2.1.16 Use #4 hexagon wrench and #8 open-end wrench to fasten the parts B1, B2. (See Fig. 1-15)

2.1.17 Fasten the other side with the same method.



2.1.18 Load the backrest cushion E1, and use Phillips screwdriver to fasten the part D1.  
(See Fig. 1-16)

2.1.19 Complete the installation process of the left/right J-Hook Handles. (See Fig. 1-17)

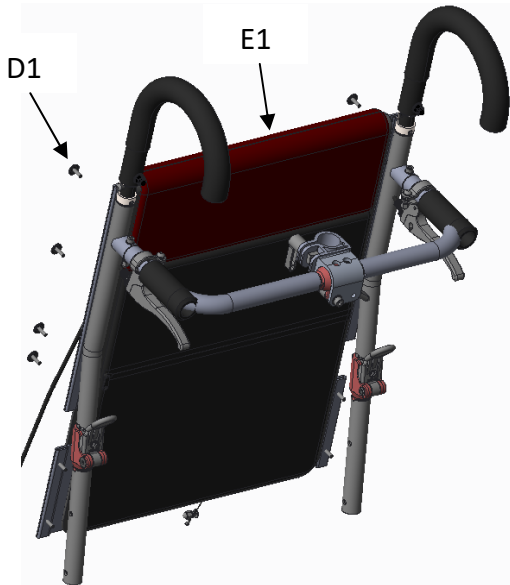


Fig. 1-16

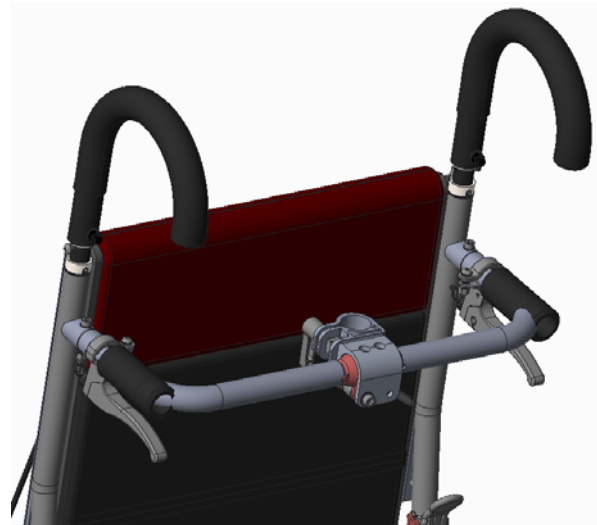


Fig. 1-17

2.1.20 Test the J-Hook Handles.

(1) Pull up the J-Hook handles. (See Fig. 1-18)

(2) Swing the J-Hook handles leftward/rightward. (See Fig. 1-18)

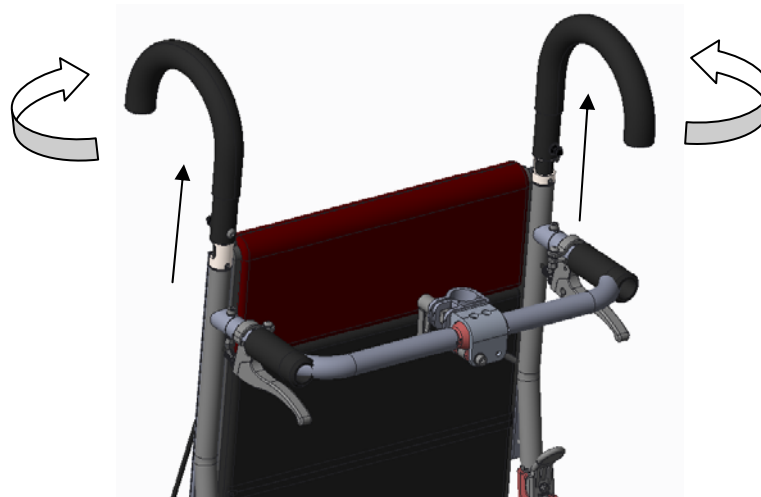


Fig. 1-18

 **Caution**

1. After the installation is completed, do a check to determine whether the leftward and rightward swinging movement of the J-Hook Handles are normal.
2. Check every part and structure to determine whether they are operating normally.
3. The swinging movement is allowed within the range of 180 degree and is set to manipulate lateral.

**karma**

0800 31 61 81  
helpis@alliedmedical.co.nz  
www.alliedmedical.co.nz



**ALLIED  
MEDICAL**  
LIMITED