

Company:

Ship To:

Account Number:

Date:

Address:

Quote: PO Number:

City:

Phone:

Associated Quote/Order#:

Email/Fax:

Effective: 4/1/2024

Focus CR - Transit Included (E1161) _____

Focus CR - Transit Not Included (E1161) _____

300 lb weight capacity Tilt range: -5° anterior to 50° posterior

Frame

Frame Width

Select Frame Width within desired Frame Width Range

Frame Width Range	Frame Width				
Small (14" - 18")	14" N/C	15" N/C	16" N/C	17" N/C	18" N/C
Medium (16" - 20")	16" N/C	17" N/C	18" N/C	19" N/C	20"
Large (18" - 22")	18" N/C	19" N/C	20" (E2201)	21" (E2201)	22"
*FTFRW008 ¹	20" (E2201)	21" (E2201)	22" (E2201)	23" (E2201)	24"

¹ 400 lb Weight Capacity is required

Seating Setup

Make one selection from either Option 1 at right or Option 2 below based on desired seating setup

Setup By Ki Mobility (Option 1) _____ N/C

Select Seat Depth corresponding to desired Frame Depth Range row and Backrest Offset column. Note: All Seat Depths in a column and within the same frame depth range are achievable with future adjustment.

Setup by Frame Depth (Option 2) _____ N/C

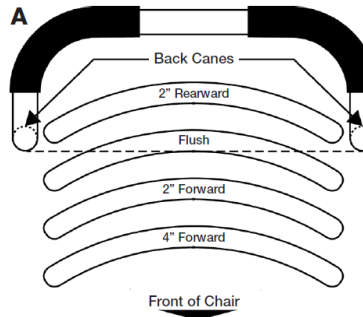
Select Frame Depth within desired Frame Depth Range

Option 1: Setup By Ki Mobility

Frame Depth Range	Backrest Offset A						
	-2"	-1"	Flush	+1"	+2"	+3"	+4"
Short	Seat Depth						
	16"	15"	14"				
	17"	16"	15"	14"			
	18"	17"	16"	15"	14"		
	19"	18"	17"	16"	15"	14"	
Medium	20" ¹	19"	18"	17"	16"	15"	14"
	18"	17"	16"	15"	14"		
	19"	18"	17"	16"	15"	14"	
	20" ¹	19"	18"	17"	16"	15"	14"
	21" ¹	20" ¹	19"	18"	17"	16"	15"
Long	22" ²	21" ¹	20" ¹	19"	18"	17"	16"
	18"	17"	16"	15"	14"		
	19"	18"	17"	16"	15"	14"	
	20" ¹	19"	18"	17"	16"	15"	14"
	21" ¹	20" ¹	19"	18"	17"	16"	15"
	22" ²	21" ¹	20" ¹	19"	18"	17"	16"
		22" ²	21" ¹	20" ¹	19"	18"	17"
			22" ²	21" ¹	20" ¹	19"	18"

¹ Price is \$630 E2203

² Price is \$1056 E2204



Option 2: Setup By Frame Depth

Frame Depth Range	Frame Depth				
Short	14" N/C	15" N/C	16" N/C	17" N/C	18" N/C
Medium	16" N/C	17" N/C	18" N/C	19" N/C	20"
Long	18" N/C	19" N/C	20" (E22)	21" (E22)	22"

Seat Options

Growing Adjustable Aluminum Seat Pan _____ N/C

Omit Seat Pan _____ N/C

HCPCS Codes provided are based on code verification by the PDAC or our interpretation of the code definitions.

Proper use of HCPCS Codes does not ensure coverage or payment. For coverage information, verify the appropriate payer's coverage policy.

DCN0031.42 Pricing and specifications subject to change without notice.

Frame Options

Weight Capacity	Offset Option
300 lbs _____ N/C	Offset Hanger with Tilt Stops _____
400 lbs (Heavy Duty) _____	<i>Tilt Stop included. No anterior tilt.</i>
<i>Available only with Long Frame Depth Range and 8" x 2" or 6" x 2" Casters</i>	
Transit	Vent and Battery Tray
Transit System _____	<i>Requires minimum 16" Seat Height. Not available on 14" or 15" Frame Widths, Attendant Foot Lock, 12" wheels, One Arm Drive, 5" casters</i>
Omit Transit _____ N/C	Vent Tray (E1029) _____
	<i>Not available with Self Propel Axle Plate or Foot Tilt. Requires Anti-Tip.</i>
	Battery Box Holder (E1029) _____
	<i>Available only with Dual Hand Tilt</i>
	Vent Tray and Battery Box Holder (E1029) _____
	<i>Requires Anti-Tip. Available only with Dual Hand Tilt. Not available with Self Propel Axle Plate.</i>

Tilt Mechanism

Tilt Mechanism	Power Tilt Options
<i>Power Tilt not available with Vent Tray, Battery Box Holder, or 400 lb Weight Capacity. Power Tilt includes Anterior and Posterior Tilt Stops.</i>	<i>Power Tilt selection required</i>
Hand Tilt - Right _____ N/C	Toggle Switch _____ N/C
Hand Tilt - Left _____ N/C	Pendant Control _____ N/C
Hand Tilt - Dual _____ N/C	<i>Sent as accessory</i>
Foot Tilt - Right _____ N/C	Interface for Adaptive Switching _____
Foot Tilt - Left _____ N/C	<i>Sent as accessory</i>
Power Tilt - Right (E1002) _____	
Power Tilt - Left (E1002) _____	

Backrest

Backrest	Other Backrest Options
Stroller Handle Back Post (Short 20") _____ N/C	<i>Available only with Stroller Handle Back Post</i>
Stroller Handle Back Post (Tall 24") _____ N/C	Removable Stroller Handle Extension _____
Fixed Height Back with Adjustable Handle (Short 22") _____ N/C	
<i>Not available with Dynamic Back</i>	Other Backrest Options
Fixed Height Back with Adjustable Handle (Tall 26") _____ N/C	Non Folding Back _____ N/C
<i>Not available with Dynamic Back</i>	<i>Standard with Reclining Back and Dynamic Back</i>
Adjustable Height Back with Adjustable Handle (Short 18" - 25") _____ N/C	Dynamic Back (E2398) _____
<i>Not available with O2 Holder or Dynamic Back</i>	<i>Available only with Non Folding Back. Not available with Angle Adjustable Locking Extendable Flip Up Armrest or 400 lb Weight Capacity.</i>
Adjustable Height Back with Adjustable Handle (Tall 20" - 27") _____ N/C	Adjustable Height Rigidizer Bar _____
<i>20"-22" Heights not available with Dynamic Back</i>	<i>Not available with 23" or 24" frame widths</i>
Reclining Back with Adjustable Handle (Short 22") (Non-Folding) _____	
<i>Not available with O2 Holder or Dynamic Back. If no Recline Angle and Gas Spring selections are made, 0° - 65° and Standard Spring will be used.</i>	Reclining Back Options
Reclining Back with Adjustable Handle (Tall 26") (Non-Folding) _____	<i>Required when Reclining Back is selected</i>
<i>Not available with O2 Holder or Dynamic Back. If no Recline Angle and Gas Spring selections are made, 0° - 65° and Standard Spring will be used.</i>	Recline Angle
	0-65° Recline Angle (E1225) _____ N/C
	10-75° Recline Angle (E1225) _____ N/C
	20-85° Recline Angle (E1226) _____ N/C
	Gas Spring
	Standard Spring _____ N/C
	Heavy Duty Spring _____ N/C
Backrest Height	
<i>Required when Adjustable Height Back with Adjustable Handle Back Post is selected</i>	
18" ¹ 19" ¹ 20" 21" 22" 23" 24" 25" 26" ² _____ N/C	
27" ² _____	
<i>1 Available only with Short</i>	
<i>2 Available only with Tall</i>	

Footrest

Hanger / Front Frame Bend						
Hanger	60°	70°	80°	90°		Retail
Extension Tube Mount			1			N/C
Front Mount			1	2		N/C
Pro Elevating Leg Rests E0990						
Contracture Footrest Bilateral Mount ³						
Contracture Footrest Center Mount ³						
Omit Hangers						

- 1 7" and 8" Casters may interfere with less than 5° tilt
- 2 Not available with 7" or 8" Casters
- 3 Aluminum Angle Adjustable footplates included. See image to right.

PRO ELR Cover

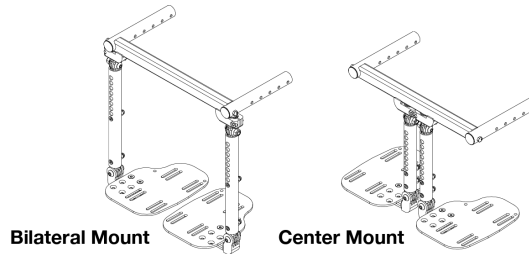
Available only on PRO ELR

Gel Pad Covers (PAIR) (K0108) _____

3" Extension

Available only with Front Mount Hangers.

3" Extension _____ N/C
 3" Extension (Provided as Parts) _____ N/C



Footrest / Extension / Seat to Footrest Length

Select Extension and Seat to Footrest Length in row corresponding to desired Footrest. Footrest Length of at least 2.5" shorter than Front Seat Height recommended. Extension Tube Hanger measurements based on 70° Hanger Bend.

Footrest	Extension	Seat to Footrest Length											
		10"	10.5"	11"	11.5"	12"	12.5"	13"	13.5"	14"	14.5"		
Extension Tube Hangers (60°, 70°, 80°)	Short (10" - 13.5")	10"	10.5"	11"	11.5"	12"	12.5"	13"	13.5"	14"	14.5"		
	Medium (11.5" - 15.5")	11.5"	12"	12.5"	13"	13.5"	14"	14.5"	15"	15.5"			
	Long (14" - 18")	14"	14.5"	15"	15.5"	16"	16.5"	17"	17.5"	18"			
Front Mount Hangers ¹	Short Front Mount Hanger	Standard Selections									Requires 3" Extension for \$35		
		4" ²	4.5" ²	5"	5.5"	6"					8.5"	9"	9.5"
	Medium Front Mount Hanger	6.5"	7"	7.5"	8"						10"	10.5"	11"
		4" ²	4.5" ²	5"	5.5"	6"	6.5"	7"			10.5"	11"	11.5"
	Long Front Mount Hanger	7.5"	8"	8.5"	9"	9.5"	10"				12"	12.5"	13"
		5"	5.5"	6"	6.5"	7"	7.5"	8"	8.5"		12.5"	13"	13.5"
		9"	9.5"	10"	10.5"	11"	11.5"	12"		14"	14.5"	15"	
Contracture Footrest	Short (10" - 13.5")	10.5"	11"	11.5"	12"	12.5"	13"	13.5"	14"	14.5"			
	Medium (11.5" - 15.5")	13.5"	14"	14.5"	15"	15.5"	16"	16.5"	17"	17.5"			
	Long (14" - 18")	16.5"	17"	17.5"	18"	18.5"	19"	19.5"	20"	20.5"			
PRO ELR Low Pivot Setting	PRO ELR Low Pivot Setting Short (10.5" - 15.5")	10.5" - 15.5"											
	PRO ELR Low Pivot Setting Long (13" - 19")	13" - 19"											
PRO ELR High Pivot Setting	PRO ELR High Pivot Setting Short (8.5" - 17")	8.5" - 17"											
	PRO ELR High Pivot Setting Long (11.5" - 17.5")	11.5" - 17.5"											

- 1 See Minimum Front Seat Height chart below
- 2 Available with 90° only

Minimum Front Seat Height with Front Mount Hangers						
Hanger Length	Short		Medium		Long	
	70°	80/90°	70°	80/90°	70°	80°
Minimum Front Seat Height with Standard Selection	13"	13"	13"	13.5"	14.5"	15.5"
Minimum Front Seat Height with 3" Extension	13.5"	14"	15.5"	16"	17"	18"

Footplates

No selection needed with Contracture Footrest

- Composite _____ N/C
Not available with Front Mount Hanger
- Composite Angle Adjustable (K0040) _____
Not available with Front Mount Hanger or 14" Seat Width without Offset Hanger
- Aluminum Angle Adjustable (K0040) _____
- Aluminum Locking Multi-Angle Adjustable (K0108) _____
Available only with Front Mount Hanger
- One Piece Flip Up Angle Adjustable (K0040) _____
Not available with Front Mount Hanger or PRO ELR

Hanger Release

No selection needed with Contracture Footrest. If no selection is made 4-Way - In line Hanger Release will be used.

- Classic _____ N/C
- 4-Way - In-Line _____ N/C
- 4-Way - Out _____ N/C

Heel Loops

Not available with One Piece Flip Up Angle Adjustable Footplate

- Heel Loops (E0951) _____
- Adjustable Heel Loops (E0951) _____
- Omit Heel Loops _____ N/C

Calf Straps

- Velcro Adjustable (K0038) _____
- Padded Velcro Adjustable (K0038) _____
- Bodypoint Padded AeroMesh (K0038) _____

Residual Limb Support

	Limb Support	Price	Omit	Cover		Pad Size					
						5X8 Pad Left Side	7X10 Pad Left Side	9x10 Pad Left Side	9x14 Pad Left Side	11x10 Pad Left Side	11x14 Pad Left Side
Left	Left Limb Support (E1020)	\$431	Omit Left Hanger	Smooth Cover Left	Air Mesh Cover Left	5X8 Pad Left Side	7X10 Pad Left Side	9x10 Pad Left Side	9x14 Pad Left Side	11x10 Pad Left Side	11x14 Pad Left Side
Right	Right Limb Support (E1020)	\$431	Omit Right Hanger	Smooth Cover Right	Air Mesh Cover Right	5X8 Pad Right Side	7X10 Pad Right Side	9x10 Pad Right Side	9x14 Pad Right Side	11x10 Pad Right Side	11x14 Pad Right Side

Seat Height, Casters and Rear Wheels

Select Seat Height corresponding to desired Rear Wheel and Caster Size

Rear Wheel Size	Caster Size					
	5"	6"	6" x 2"	7"	8"	8" x 2"
	Seat Height					
12" with Pneumatic or Pneumatic with Airless Insert Tire ³	13.5"					
	14"					
	14.5"	14.5"	14.5"		17"	
	17.5"	17.5"	17.5"	17.5"	17.5"	17.5"
	18"	18"	18"	18"	18"	18"
	18.5"	18.5"	18.5"	18.5"	18.5"	18.5"
	19"	19"	19"	19"	19"	19"
12" with Full Poly Tire ³	16.5"	16.5"	16.5"			
	17"	17"	17"	17"	17"	17"
	17.5"	17.5"	17.5"	17.5"	17.5"	17.5"
	18"	18"	18"	18"	18"	18"
	18.5"	18.5"	18.5"	18.5"	18.5"	18.5"
	19"	19"	19"	19"		
12" with Drum Brake	13"					
	13.5"					
	14"	14"	14"			
	14.5"	14.5"	14.5"			
	17.5"	17.5"	17.5"	17.5"	17.5"	17.5"
	18"	18"	18"	18"	18"	18"
	18.5"	18.5"	18.5"	18.5"	18.5"	18.5"
	19"	19"	19"	19"	19"	19"
	19.5"	19.5"	19.5"	19.5"	19.5"	19.5"
	20" ²		20" ²	20" ²	20" ²	20" ²
16" with Pneumatic, Pneumatic with Airless Insert or Full Poly Tire ⁴	13"					
	13.5"					
	14"	14"	14"			
	14.5"	14.5"	14.5"			
	15"	15"	15"	15"		
	15.5"	15.5"	15.5"	15.5"		
	16"	16"	16"	16"	16"	16"
	16.5" ¹	16.5" ¹	16.5" ¹	16.5" ¹		16.5" ¹
	19"	19"	19"	19" ²	19"	19"
	19.5"	19.5"	19.5"	19.5"	19.5"	19.5"
	20"	20"	20"	20"	20"	20"
20.5"	20.5"	20.5"	20.5"	20.5"	20.5"	
16" with Low Poly Tire ⁴	13"					
	13.5"					
	14"	14"	14"			
	14.5"	14.5"	14.5"			
	15"	15"	15"	15"		
	18"	18"	18"	18"	18"	18"
	18.5"	18.5"	18.5"	18.5"	18.5"	18.5"
	19"	19"	19"	19"	19"	19"
	19.5"	19.5"	19.5"	19.5"	19.5"	19.5"
	20"	20"	20"	20"	20"	20"
			20.5"	20.5"	20.5"	

Rear Wheel Size	Caster Size					
	5"	6"	6" x 2"	7"	8"	8" x 2"
	Seat Height					
16" with Drum Brake ⁴	13.5"					
	14"	14"	14"			
	14.5"	14.5"	14.5"			
	15"	15"	15"	15"		
	15.5"	15.5"	15.5"	15.5"		
	16"	16"	16"			16"
		18.5"	18.5"	18.5"	18.5"	18.5"
	19"	19"	19"	19"	19"	19"
	19.5"	19.5"	19.5"	19.5"	19.5"	19.5"
	20"	20"	20"	20"	20"	20"
20"	15"	15"	15"	15"		
	15.5"	15.5"	15.5"	15.5"		
	16"	16"	16"	16"	16"	16"
	16.5"	16.5"	16.5"	16.5"	16.5"	16.5"
	17"	17"	17"	17"	17"	17"
	17.5"	17.5"	17.5"	17.5"	17.5"	17.5"
	18"	18"	18"	18"	18"	18"
	18.5" ²	18.5" ²	18.5" ²	18.5" ²		
22"	16"	16"	16"	16"	16"	
	16.5"	16.5"	16.5"	16.5"	16.5"	16.5"
	17"	17"	17"	17"	17"	17"
	17.5"	17.5"	17.5"	17.5"	17.5"	17.5"
	18"	18"	18"	18"	18"	18"
	18.5"	18.5"	18.5"	18.5"	18.5"	18.5"
	19"	19"	19"	19"	19"	19"
19.5"	19.5"	19.5"	19.5"	19.5"	19.5"	
24"	16.5" ⁵	16.5" ^{1.5}	16.5" ^{1.5}			
	17" ⁵	17" ⁵	17" ⁵	17" ⁵	17" ⁵	17" ⁵
	17.5" ⁶	17.5" ⁶	17.5" ⁶	17.5"	17.5"	17.5" ⁶
	18"	18"	18"	18"	18"	18"
	18.5"	18.5"	18.5"	18.5"	18.5"	18.5"
	19"	19"	19"	19"	19"	19"
	19.5"	19.5"	19.5"	19.5"	19.5"	19.5"
	20"	20"	20"	20"	20"	20" ²

¹ Available only with Full Poly tire

² Not available with Full Poly tire

³ Not available with Vent and Battery Tray combination

⁴ Seat heights higher than 16.5" with 16" wheel size not available with Vent and Battery Tray combination

⁵ Not available with Drum Brake

⁶ Not available with Drum Brake in combination with Pneumatic tires

Casters and Rear Wheels

One Arm Drive

One Arm Drive - Quick Release (E0958) \$1379
*Available only with 24" Spoke wheels. Spoke wheel style is exclusive to OAD.
 Not available with Vent Tray, Battery Box Holder, Self Propel Axle Plate or
 Angle Adjustable Locking Extendable Flip Up. Standard Handrim will be
 Aluminum Anodized. Axle is Quick Release.*

Left Side Drive N/C
 Right Side Drive N/C
 Aluminum Drive Handrim N/C
 Poly Coated Drive Handrim \$205

Casters

		Caster Size				
		Price	5"	6"	7"	8"
Caster Type	1" Poly	N/C				
	1" Poly Aluminum	\$118				
	1" Pneumatic	\$118				
	1.5" Poly	\$95				
	1.5" Soft Roll Aluminum	\$190				
	2" Poly	\$97				
	2" Pneumatic w/Foam Insert	\$246				

Axle

No selection needed with One Arm Drive or Drum Brake

Fixed N/C
 Quick Release N/C

Self Propel Axle Plate

Self Propel Axle Plate
Not available with Vent Tray or 12" or 16" wheel sizes

Wheel Locks

Wheel locks

Push to Lock N/C
 Pull to Lock N/C
Not available with 12" or 16" Full Poly tires
 Attendant Foot Lock
 Combination Attendant Foot Lock
*Available only with 12" or 16" wheel sizes. Includes Extension Handles. Push
 to Lock only.*
 Drum Brake (E2228)
*Available only with 12" Mag, 16" Mag, or MAXX Spoke wheels. Not available
 with 16" Low Poly tire, Reclining Backrest, One Arm Drive or Self Propel Axle
 Plate. Axle is Quick Release.*
 Dual - Drum Brake with Push to Lock (E2228)
*Available only with 12" Mag, 16" Mag, or MAXX Spoke wheels. Not available
 with 16" Low Poly tire, Reclining Backrest, One Arm Drive or Self Propel Axle
 Plate. Axle is Quick Release.*
 Dual - Drum Brake with Pull to Lock (E2228)
*Available only with 12" Mag, 16" Mag, or MAXX Spoke wheels. Not available
 with 16" Low Poly tire, Reclining Backrest, One Arm Drive or Self Propel Axle
 Plate. Axle is Quick Release.*
 Omit Wheel Locks N/C

Rear Wheel

No selection needed with One Arm Drive

		Rear Wheel Size				
		Price	12"	16"	20"	22"
Rear Wheel Type	Mag	N/C				
	Spoke	\$205				

Rear Tire Type

Full Poly (E2218) N/C
 Pneumatic (E2211,E2212) N/C
 Pneumatic with Airless Insert (E2211, E2213)
 Low Poly (E2218) N/C
Available only with 16" wheel size

Handrims

Handrims not available on 12" or 16" wheel sizes. No selection needed with One Arm Drive

Standard Handrims

Aluminum Anodized N/C
 Plastic Coated
 Projection (8 Vertical Projections)
*Available only with full profile tires in combination with 22", 24", and 26"
 MAXX Spoke wheels, or 22" and 24" Mag wheels*
 Omit Handrim N/C

Handrim Options

Not available on Plastic Coated or Projection Handrims

3M Micro Grip

Armrests

Armrest Type	Length	Price
Height Adjustable T-Arm Tall (11.5"-15") E0973	Desk	
	Full	
Height Adjustable T-Arm (8.5"-13.5") E0973	Desk	
	Full	
Height Adjustable T-Arm Low (6.5"-10.5") E0973 ¹	Desk	
	Full	

¹ If requested configuration is unavailable, Standard Height T-Arm will be used. Not available with 14" seat depth and Offset Hangers"

² Not available with IV Pole

³ Not available with Dynamic Back

⁴ Minimum armrest height with Reclining Backrest is 12"

Armrest Type	Length	Price
Height Adj. Dual Post Flip Back (9.5"-14.5") ^{2 2}	Desk	
	Full	
Angle Adjustable Locking Extendable Flip Up ^{3,4 3,4}	Desk	
	Full	
Omit Armrests		N/C

Arm Pads

Standard Arm Pad	N/C
Waterfall Arm Pad	
<i>Not available with Angle Adjustable Locking Extendable Flip Up Armrests</i>	
Foam Grip	N/C
<i>Available only with Angle Adjustable Locking Extendable Flip Up Armrest</i>	

Accessories

Removable Side Guard

Composite Side Guards (K0108) _____
Not available with T-Arm or Dual Post Flip Back Armrests

Anti-Tip

Rear Anti-Tips (E0971) _____
Required with Reclining Backrest or Vent Tray
 Omit _____ N/C

Pelvic Positioning Belt

1 1/2" Auto Buckle Pelvic Positioning Belt (E0978) _____
 1 1/2" Padded Auto Buckle Pelvic Positioning Belt (E0978) _____
 2" Airline Buckle Pelvic Positioning Belt (E0978) _____
 Small Bodypoint Evoflex (16-24") (E0978) _____
 Medium Bodypoint Evoflex (19-29") (E0978) _____
 Large Bodypoint Evoflex (25-37") (E0978) _____

Belt Mounting Kit

Ki Mobility Belt Mounting Brackets _____
 Belt Mounting Band Clamp _____

U.S. Military Service Patches

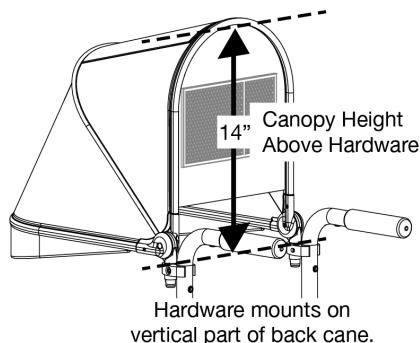
Army	Navy	Marines	Air Force
Coast Guard	US Purple Heart		
Combo Army/Purple Heart	Combo Navy/Purple Heart		
Combo Marines/Purple Heart	Combo Air Force/Purple Heart		
Combo Coast Guard/Purple Heart			

O2 Holder

O2 Holder (E2208) _____
Not available with Reclining Backrest or Dynamic Back

Other Accessories

Tool Kit _____
 Removable Underseat Pouch _____
 Ki Mobility Backpack _____
 Black Neoprene Impact Guards _____
 Tilt Stop (Pair) _____
Included with Offset Hanger
 IV Pole _____
 Canopy with Hardware (K0108) _____
Not available on frame widths greater than 18". See image below.



Frame Color

Gloss Finish

Black	N/C
Blue Skies	N/C
Bubblegum Pink	N/C
Candy Blue	N/C
Candy Purple	N/C
Candy Red	N/C
Copper	N/C
Granny Smith	N/C
Metallic Orange	N/C
Yellow	N/C

Matte Finish

Military Green	N/C
Charcoal Gray	N/C
Emerald Green	N/C
Iridescent Burgundy	N/C
Iridescent Navy	N/C
Retro Red	N/C
Royal Blue	N/C
Shadow Black	N/C
Smooth White	N/C

FOCUS CR

Cushions and Backrests

AXIOM

Ki Mobility

ADI
A Stealth Product

VARILITE

RIE

Cushion:

Backrest:

Other Accessories: