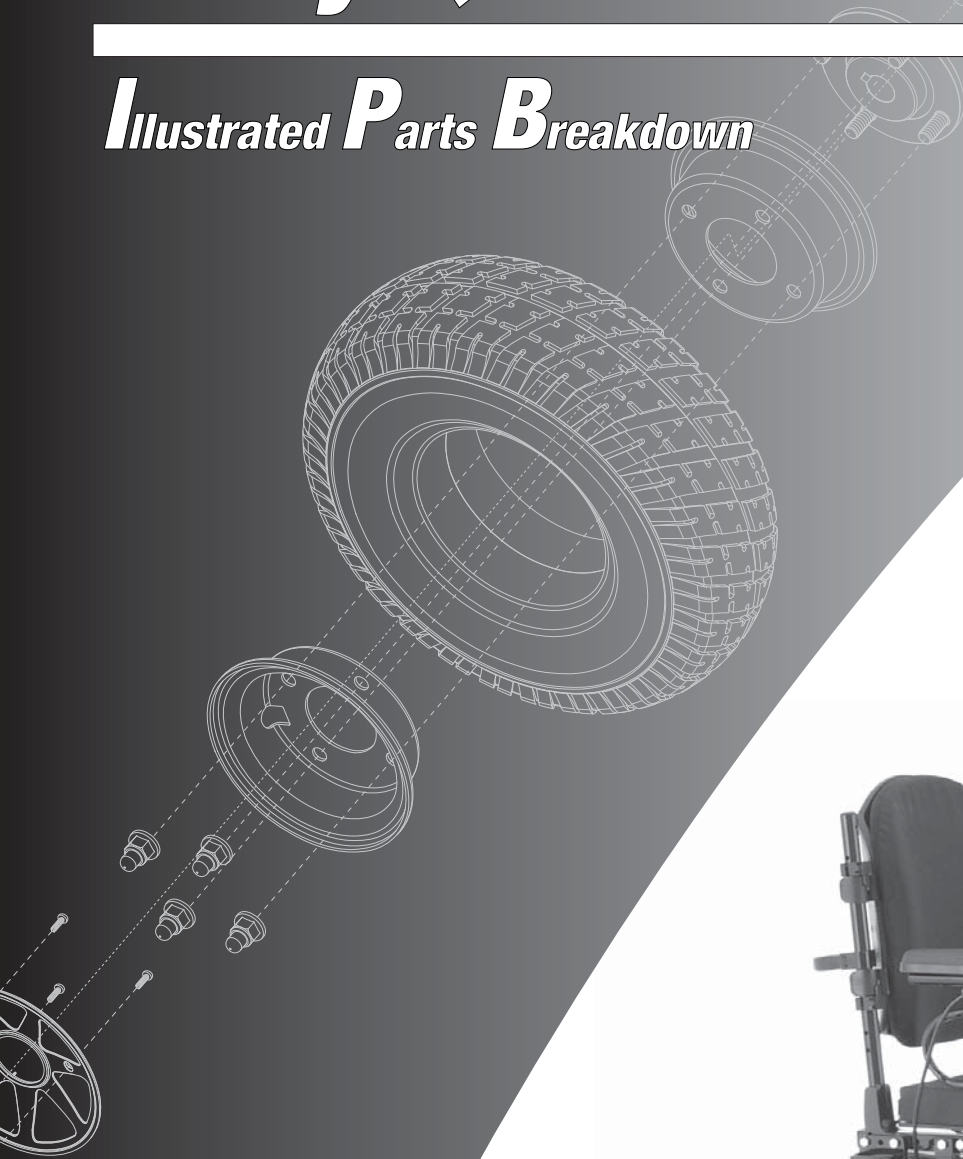


# Jazzy®/Quantum® 1420/1424

US

AGN# 088 609 661

## Illustrated *P*arts *B*reakdown



# Pride

Your new Pride Illustrated Parts Breakdown (IPB) Manual has been compiled from the latest product information available at the time of publication. Pride Mobility Products® Corporation reserves the right to make changes and updates to this manual and to the product(s) it represents. Any changes, updates, or improvements to the product(s) may result in slight differences between this manual and the product you purchased.

An IPB is an illustrated parts listing of all product components which have maintenance significance. IPB's utilize "exploded" drawings to detail the individual components for each assembly and an itemized list of reference numbers, part numbers, descriptions, and quantities per assembly. Some parts may be included in an assembly but may not be available for purchase separately. Refer to the parts list to locate the part numbers for assemblies and components for ordering what you need.

To achieve proper identification and relationship of detail parts and next higher assemblies, parts listings are presented in a convenient alphanumeric reference system. Reference numbers for parent assemblies identify one part number that can be used to order all of the components listed within it. Components of an assembly will have the same alpha character as its parent assembly.

- For example, the parent assembly part number using reference number of A1 — A4 is the only number you need to place an order for parts with references of A1, A2, A3, and A4. Instead of ordering 4 separate parts, use the parent assembly part number to get the complete assembly.

Master assembly part numbers have reference numbers that include several subassemblies. By ordering parts using master assembly part numbers, you can save a lot of time and reduce the chance for error.

- For example, A1 — G10, a master assembly reference number, includes all components of assemblies A, B, C, D, E, F, and G. Use caution when ordering assemblies. Check to see if a master assembly part number exists for the components that you need. If an entire master assembly is not needed, then the individual assembly part number (i.e. for reference number G1 — G10) will be sufficient to use for ordering.

Asterisks (\*) and NOTES are used throughout this service manual to point out important information regarding assembly structure and contents.

- For example, in some illustrations, only the left OR right side is shown. In other drawings, only the front OR back is depicted. The part numbers for ALL components are listed. An asterisk will also be used to indicate which components are not illustrated. Illustrated Items without callouts are shown for assembly purposes.

Updates to the contents of this IPB will be made on a regular basis. Providers may retrieve updates immediately upon their release by going to the Pride Service Website. The web address is [www.prideservice.com](http://www.prideservice.com). We welcome any questions or comments regarding the new Pride IPB Manual that you may have.

Please note that all pricing that is included with this manual is subject to change without any prior notice from Pride.

Thank you for choosing products from Pride Mobility Products® Corporation.

(This page intentionally left blank.)

**SECTION I.**

Main Frame Assembly.....6

**SECTION II.**

Single Lever Brake Assembly  
 Style #3.....10  
 Style #2.....12

**SECTION III.**

Charger Assembly.....14

**SECTION IV.**

Drive Assembly  
 High Torque (Std.) .....16  
 High Torque (Std.), Style #3 Single Lever Brake Ready .....18  
 High Speed (Opt.).....22  
 High Speed (Opt.), Style #3 Single Lever Brake Ready .....24

**SECTION V.**

Anti-tip Assembly  
 Standard .....26  
 Power Elevating Synergy Seat with Tilt/Recline .....28

**SECTION VI.**

Articulating Beam Assembly  
 Flat-free .....30  
 Pneumatic.....34

**SECTION VII.**

Utility Tray Assembly  
 Remote Plus  
 Onboard .....38  
 Off-board.....40  
 Quantum Ready, Onboard .....42  
 Quantum Ready, Off-board .....44  
 Dynamic  
 Onboard .....46  
 Off-board.....48  
 Q-Logic  
 Off-board.....50  
 Quantum Ready, Off-board .....52  
 Tilt Thru Toggle, Off-board .....54  
 VR2  
 Onboard .....56  
 Off-board.....58  
 Tilt Thru Toggle, Onboard .....60  
 Tilt Thru Toggle, Off-board .....62  
 Power Seat Thru Joystick, Off-board .....64  
 Power Seat Thru Toggle, Off-board.....66

**SECTION VIII.**

Controller Assembly  
 PG Drives/Dynamic .....68  
 Q-Logic.....70



**SECTION IX.**

Foot Platform Assembly

- 11.62" ..... 72
- 9.55" ..... 74
- Heavy Duty ..... 76

**SECTION X.**

Wheel Assembly

- Pneumatic..... 78
- Flat-free ..... 79

**SECTION XI.**

Shroud Assembly

- Standard ..... 80
- Synergy TRU-Balance Super Low ..... 81

**SECTION XII.**

Owner's Package ..... 82

**SECTION XIII.**

Decal Package

- Jazzy 1420..... 83
- Quantum 1420..... 84
- Quantum 1424..... 85

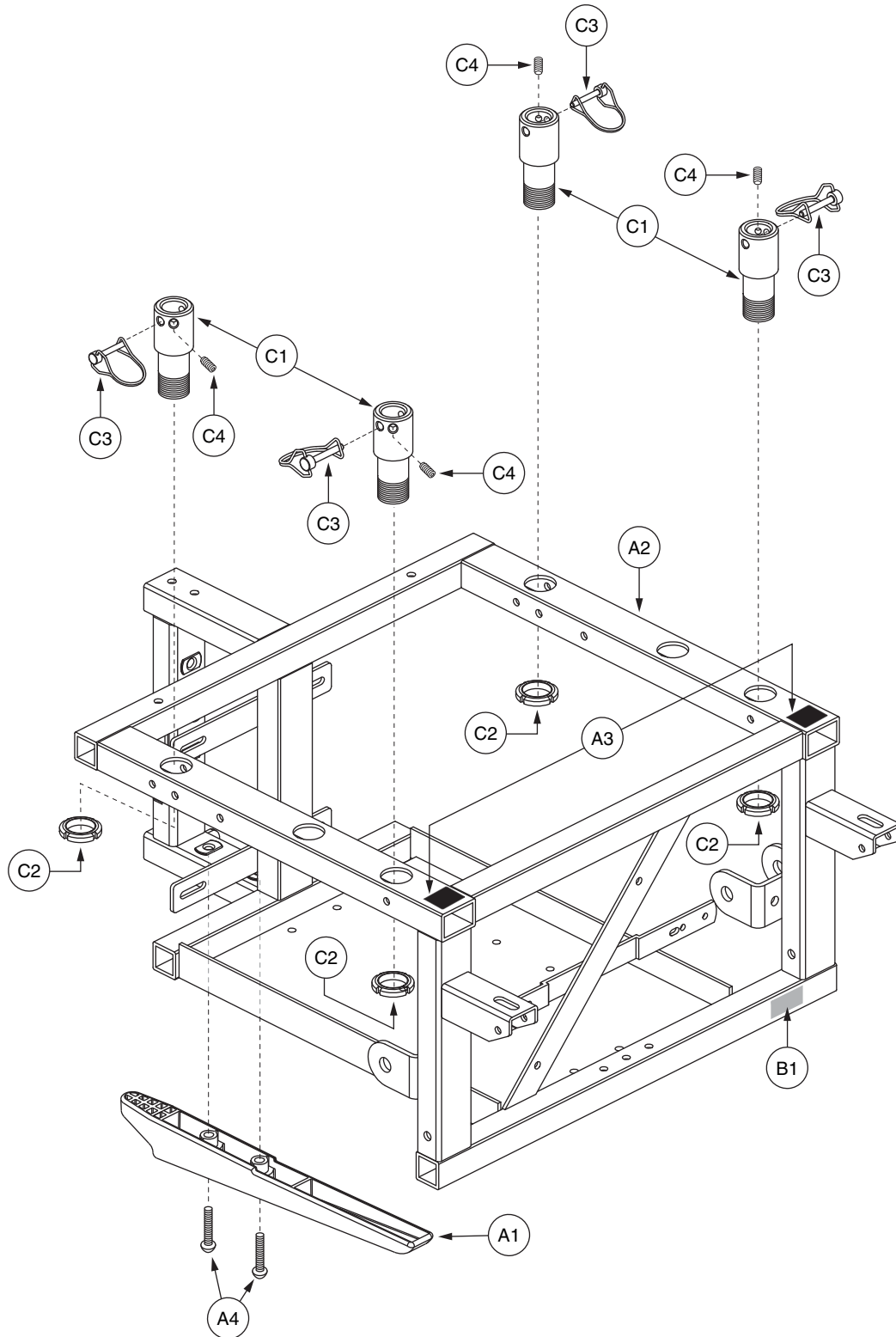
**APPENDIX A.**

Electrical System Diagram

- Remote Plus
  - Onboard ..... 86
  - Off-board ..... 87
  - Quantum Ready, Onboard ..... 88
  - Quantum Ready, Off-board ..... 89
- Dynamic
  - Onboard ..... 90
  - Off-board ..... 91
- Q-Logic
  - Off-board ..... 92
  - Quantum Ready/Tilt Thru Toggle, Off-board ..... 93
- VR2
  - Onboard ..... 94
  - Off-board ..... 95
  - Tilt Thru Toggle, Onboard ..... 96
  - Tilt Thru Toggle, Off-board ..... 97
  - Power Seat Thru Joystick, Off-board..... 98
  - Power Seat Thru Toggle, Off-board..... 99

# I. Main Frame Assembly

Generation #2. Applicable to units manufactured on or after December 11, 2002.



# I. Main Frame Assembly

REF #	PART #	DESCRIPTION	QTY	Dealer \$	MSRP	11i
<b>A1 — A4</b>	<b>FRMASMB5141</b>	<b>FRAME,ASSY,MAIN,JAZZY1400/1420, SINGLE BRAKE LEVER STYLE # 3 COMPATIBLE</b>	<b>1</b>	<b>\$166.95</b>	<b>\$425.72</b>	
A1	DWR1122D016	BUMPER,SKID PLATE,PLASTIC,JAZZY1122,D-1122-016	1	\$3.15	\$8.03	
A2	DWR1400E005	FRAME,WELDMENT,MAIN, JAZZY1400/1420,E-1400-005	1	\$161.7	\$412.34	
A3	VELLTCH1000	REUSABLE FASTENER,LOOP,1",W/ADHESIVE BACK	2	\$1.05	\$2.68	
A4	SCRASBH1056	SCREW,BHSCS,BLACK ZINC,5/16-18 X 2.00"	2	\$1.05	\$2.68	
*B1	DECSERN1032	DECAL,SERIAL NUMBER,4" X 6",BARCODE,W/PRIDE LOGO	1	N/A	N/A	
<b>*C1 — C4</b>	<b>FRMASMB6341</b>	<b>SEAT MOUNT CONNECTOR,ASSY,W/SET SCREW</b>	<b>4</b>	<b>\$16.8</b>	<b>\$42.84</b>	
C1	DWR1500C036	SEAT MOUNT CONNECTOR,MODIFIED,RQ,C-1500-036	1	\$7.91	\$20.18	
C2	DWR1000B432	NUT,BLACK,ZINC,M25-1.5,JAM,CUSTOM,B-1000-432	1	\$1.05	\$2.68	
C3	DWR1054B026	PIN,SAFETY SNAP,M6 X 35MM,B-1054-026	1	\$3.78	\$9.64	
C4	SCRSETS1013	SCREW,SET,1/4-20 X 1/4"	1	\$1.05	\$2.68	

**Notes :**

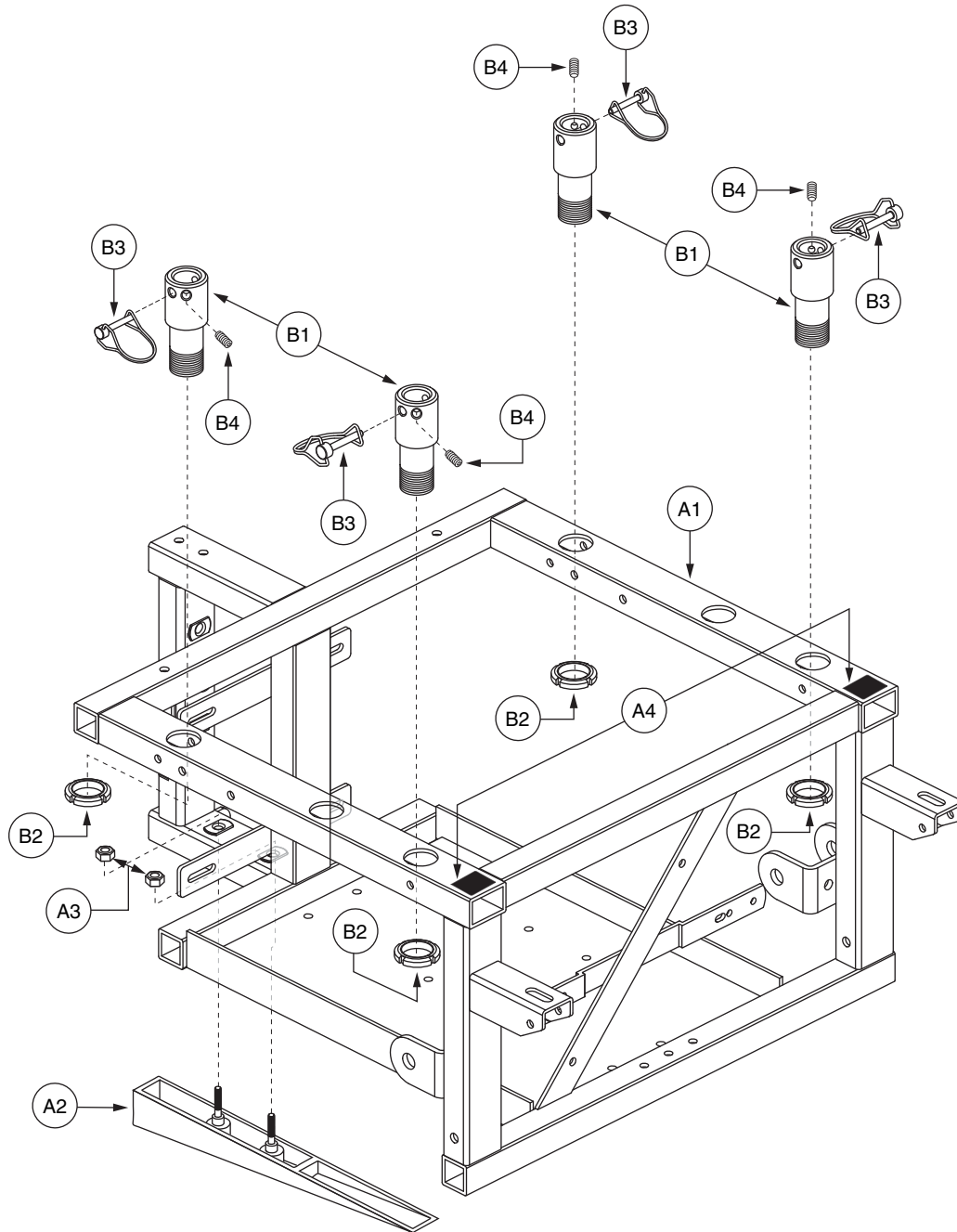
Generation #2. Applicable to units manufactured on or after December 11, 2002.

\*B1 Not available for replacement.

\*C1 — C4 Seat mount connectors for units equipped with Quantum seating systems.

# I. Main Frame Assembly

Generation #1. Applicable to units manufactured prior to December 10, 2002.



# I. Main Frame Assembly

REF #	PART #	DESCRIPTION	QTY	Dealer \$	MSRP	11i
<b>A1 — A4</b>	<b>FRMASMB1733</b>	<b>FRAME,ASSY,MAIN,JAZZY1400</b>	<b>1</b>	<b>\$135.45</b>	<b>\$345.4</b>	
A1	DWR1400D007	FRAME,MAIN,JAZZY1400/1420,DIMPLED	1	\$130.2	\$332.01	
A2	DWG1200D420	BUMPER,SKID BAR,JAZZY REAR, MOLDED,D-1200-042	1	\$4.2	\$10.71	
A3	NUTNYLK1026	NUT,NYLOCK,BLACK ZINC,5/16-18	2	\$1.8	\$3	
A4	VELLOOP1000	REUSABLE FASTENER,LOOP,1" X 1",W/ADHESIVE BACK	2	\$1.05	\$2.68	
<b>*B1 — B4</b>	<b>FRMASMB6341</b>	<b>SEAT MOUNT CONNECTOR,ASSY,W/SET SCREW</b>	<b>4</b>	<b>\$16.8</b>	<b>\$42.84</b>	
B1	DWR1500C036	SEAT MOUNT CONNECTOR,MODIFIED,RQ,C-1500-036	1	\$7.91	\$20.18	
B2	DWR1000B432	NUT,BLACK,ZINC,M25-1.5,JAM,CUSTOM,B-1000-432	1	\$1.05	\$2.68	
B3	DWR1054B026	PIN,SAFETY SNAP,M6 X 35MM,B-1054-026	1	\$3.78	\$9.64	
B4	SCRSETS1013	SCREW,SET,1/4-20 X 1/4"	1	\$1.05	\$2.68	

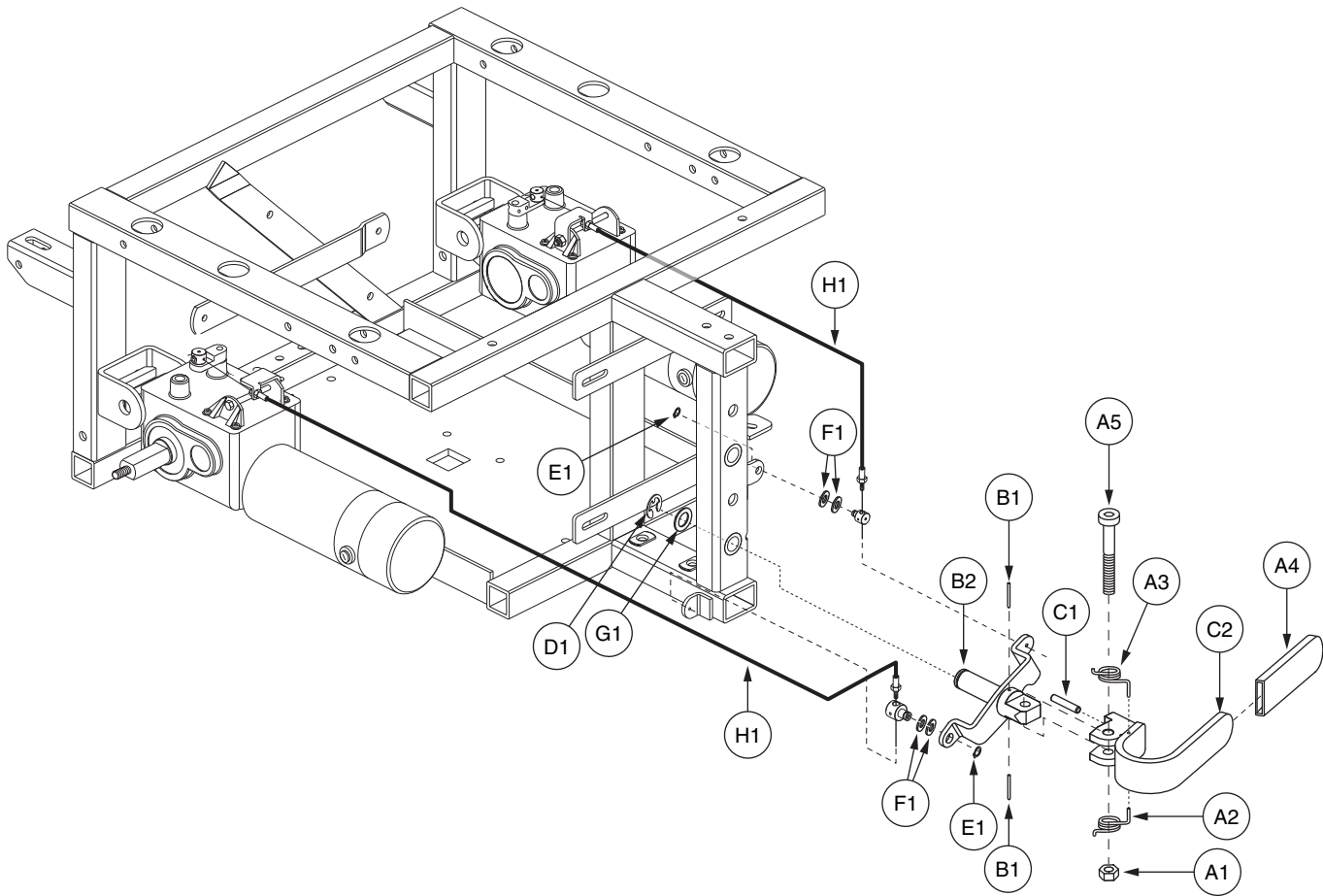
**Notes :**

Generation #1. Applicable to units manufactured prior to December 11, 2002.

**\*B1 — B4**      Seat mount connectors for units equipped with Quantum seating systems.

## II. Single Lever Brake Assembly — Style #3

Generation #3. Applicable to units manufactured on or after December 11, 2002.



## II. Single Lever Brake Assembly — Style #3

REF #	PART #	DESCRIPTION	QTY	Dealer \$	MSRP	11i
A1 — G1	FRMASMB5187	BRAKE,ASSY,MAIN,SINGLE LEVER RELEASE,STYLE #3 W/MOUNTING HARDWARE	1	\$54.6	\$139.23	
A1 — C2	FRMASMB5142	FREEWHEEL,ASSY,BRAKE,SINGLE LEVER RELEASE, STYLE # 3	1	\$52.5	\$133.88	
A1	NUTNYLK1014	NUT,NYLOCK,BLACK ZINC,1/4-20	1	\$1.05	\$2.68	
A2	DWR1500A061	SPRING,0.31"ID X 0.052" WIRE DIA,TORSION, COUNTER CLOCKWISE	1	\$1.05	\$2.68	
A3	DWR1500A033	SPRING,TORSION,MUSIC WIRE,0.31"ID X 0.052" WIRE DIA,CLOCKWISE,A-1500-033	1	\$2.1	\$5.36	
A4	PROHDL1050	FOAM GRIP,BLACK,0.1875" X 1.00" X 5.00" X 0.125", (EEZER PRODUCTS: FG1875X1PM1)	1	\$1.05	\$2.68	
A5	SCRSHCS1027	SCREW, SHCS,BLACK OXIDE,1/4-20" X 1-3/4"	1	\$1.05	\$2.68	
B1 — B2	FRMASMB5185	HANDLE BRACKET,ASSY,SINGLE LEVER BRAKE RELEASE-STYLE #3,C-1122-053	1	\$25.2	\$64.26	
B1	PINSPRG1018	SPRING PIN,0.0937" DIA X 0.625" L	2	\$1.05	\$2.68	
B2	DWR1122C049	FREEWHEEL,SINGLE LEVER BRACKET WELDMENT,C-1122-049	1	N/A	N/A	
C1 — C2	FRMASMB5138	FREEWHEEL,ASSY,HANDLE,SINGLE LEVER FREEWHEEL RELEASE, W/PIN,C-1122-052	1	\$26.25	\$66.94	
C1	PINDOWL1008	DOWEL PIN,0.1875" DIA X 1.00" L,A-1122-042	1	\$1.05	\$2.68	
C2	DWR1122D021	FREEWHEEL,WELDMENT,SINGLE LEVER HANDLE,D-1122-021	1	N/A	N/A	
D1	RNGRTAN1021	RETAINING RING,E-CLIP,0.50"	1	\$1.05	\$2.68	
E1	RNGRTAN1020	RETAINING RING,ZINC PLATED,0.25",EXTERNAL,(MCMASTER-CARR: 98410A113)	2	\$1.05	\$2.68	
F1	WASSTIN1000	WASHER,FLAT,STAINLESS STEEL,1/4"	4	\$1.05	\$2.68	
G1	WASNYLN1018	WASHER,NYLON,0.500" ID X 1.125" OD X 0.0625" TH	1	\$1.05	\$2.68	
*H1	FRMASMB5186	CABLE,ASSY,SINGLE LEVER BRAKE RELEASE,25"L,STYLE #3, W/CLAMP	2	\$14.7	\$37.49	

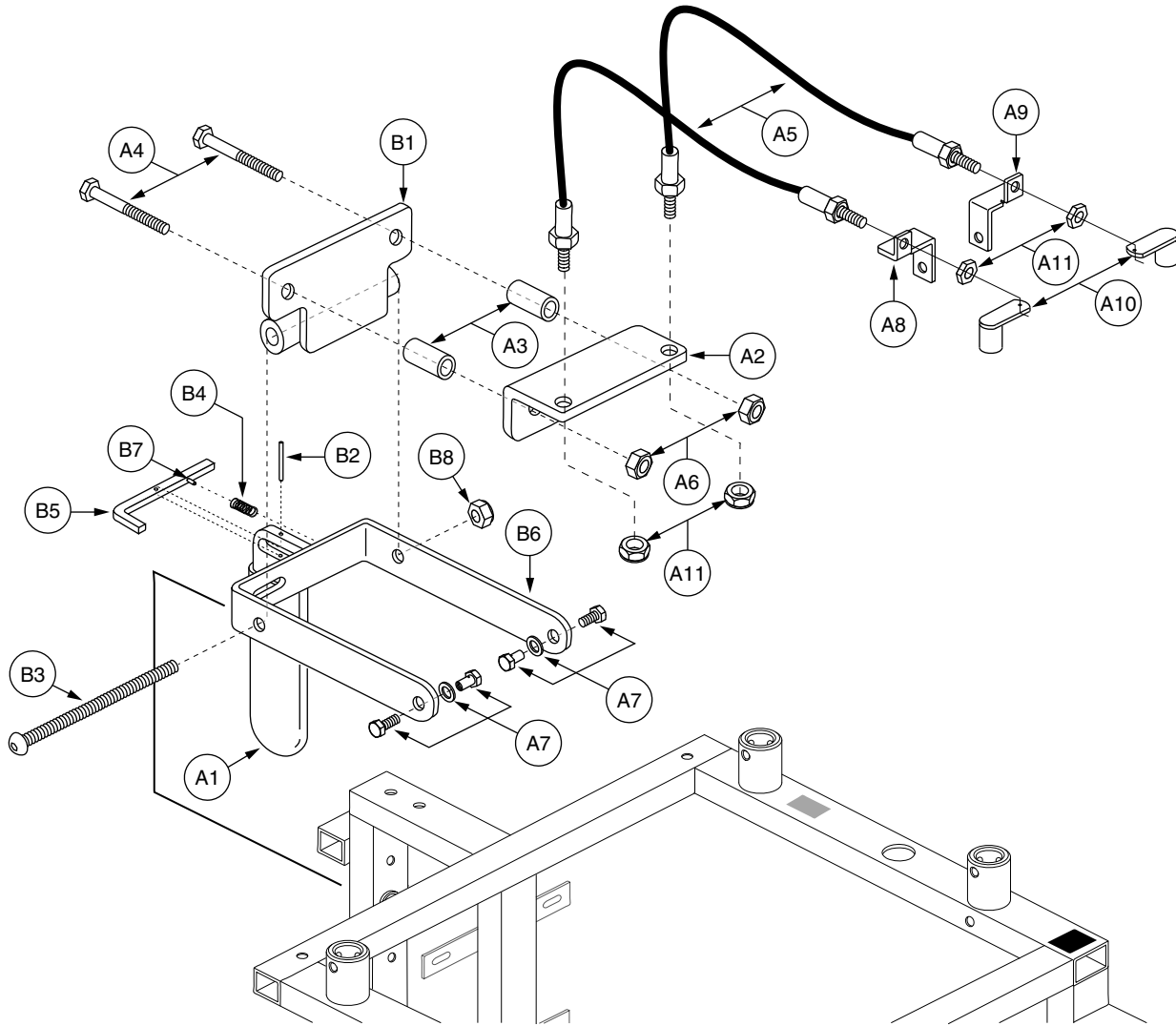
### Notes :

Generation #3. Applicable to units manufactured on or after December 11, 2002.

\*H1 Refer to the Style #3 Single Lever Brake Ready Drive Assemblies for the complete breakdown of this assembly.

## II. Single Lever Brake Assembly — Style #2

Generation #2. Applicable to units manufactured prior to December 11, 2002.



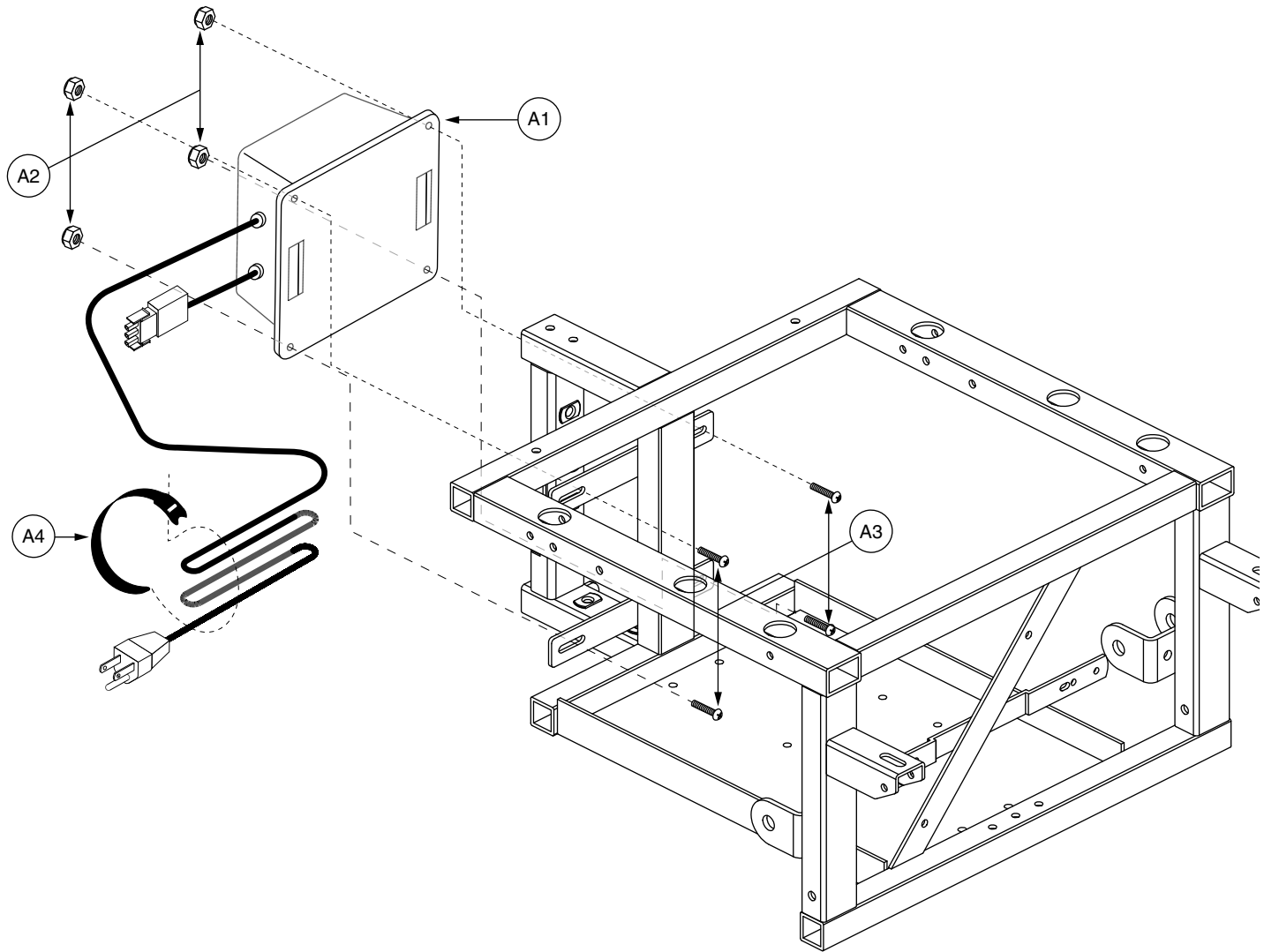


## II. Single Lever Brake Assembly — Style #2

REF #	PART #	DESCRIPTION	QTY	Dealer \$	MSRP	11i
<b>A1 — B8</b>	<b>FRMASMB2650</b>	<b>FREEWHEEL,ASSY,SINGLE LEVER LOCKING BRAKE,STYLE #2, 25"CABLE LG</b>	<b>1</b>	<b>\$106.05</b>	<b>\$270.43</b>	
A1	PROHDL1003	HANDLE,COVER,SEAT LOCK	1	\$1.05	\$2.68	
A2	DWG1000B820	FREEWHEEL,L BRACKET,SINGLE LEVER BRAKE RELEASE STYLE #2, LARGE,B-1000-082	1	\$6.3	\$16.07	
A3	DWG1000A820	SPACER,BLACK,NYLON,0.265"ID X 0.75"OD X 0.99"TH	2	\$4.2	\$10.71	
A4	SCRHHCS1239	SCREW,HHCS,BLACK ZINC,1/4-20 X 1.75",GRADE 8	2	\$1.05	\$2.68	
A5	DWR1200C155	CABLE,RELEASE CABLE,25"L,W/SWIVEL,C-1200-155	2	\$4.2	\$10.71	
A6	NUTNYLK1014	NUT,NYLOCK,BLACK ZINC,1/4-20	2	\$1.05	\$2.68	
A7	INDPART1778	SWIVEL,ASSY	2	\$1.05	\$2.68	
A8	DWG1200B740	FREEWHEEL,CABLE BRACKET,LEFT, BRAKE RELEASE,B-1200-074	1	\$2.1	\$5.36	
A9	DWG1200B730	FREEWHEEL,CABLE BRACKET,RIGHT, BRAKE RELEASE,B-1200-073	1	\$2.1	\$5.36	
A10	DWG1200B770	FREEWHEEL,RELEASE LEVER,CABLE READY,B-1200-077	2	\$12.6	\$32.13	
A11	NUTNJAM1014	NUT,NYLOCK JAM,BLACK ZINC,1/4-20	4	\$1.05	\$2.68	
<b>B1 — B8</b>	<b>FRMASMB3120</b>	<b>HANDLE,ASSY,SINGLE LEVER BRAKE RELEASE,STYLE #2</b>	<b>1</b>	<b>\$50.4</b>	<b>\$128.52</b>	
B1	DWG1000B910	FREEWHEEL,PLATE / TUBE WELDMENT,B-1000-091	1	\$25.2	\$64.26	
B2	SPGRAW1034	SPRING,0.4375" FL X 0.1875" OD X 0.020" WIRE DIA,RAW	1	\$1.05	\$2.68	
B3	SCRASBH1059	SCREW,BHSCS,BLACK ZINC,1/4-20 X 2.75"	1	\$1.05	\$2.68	
B4	PINSPRG1010	SPRING PIN,0.0937" DIA X 0.75" L	1	\$1.05	\$2.68	
B5	DWG1000A810	LEVER,ROD,A-1000-081	1	\$5.25	\$13.39	
B6	DWG1000C840	FREEWHEEL,BRACKET,"U" BRACKET,C-1000-084	1	\$19.95	\$50.87	
B7	PINSPRG1011	SPRING PIN,0.0625" DIA X 0.3125" L	1	\$1.05	\$2.68	
B8	NUTNJAM1014	NUT,NYLOCK JAM,BLACK ZINC,1/4-20	1	\$1.05	\$2.68	

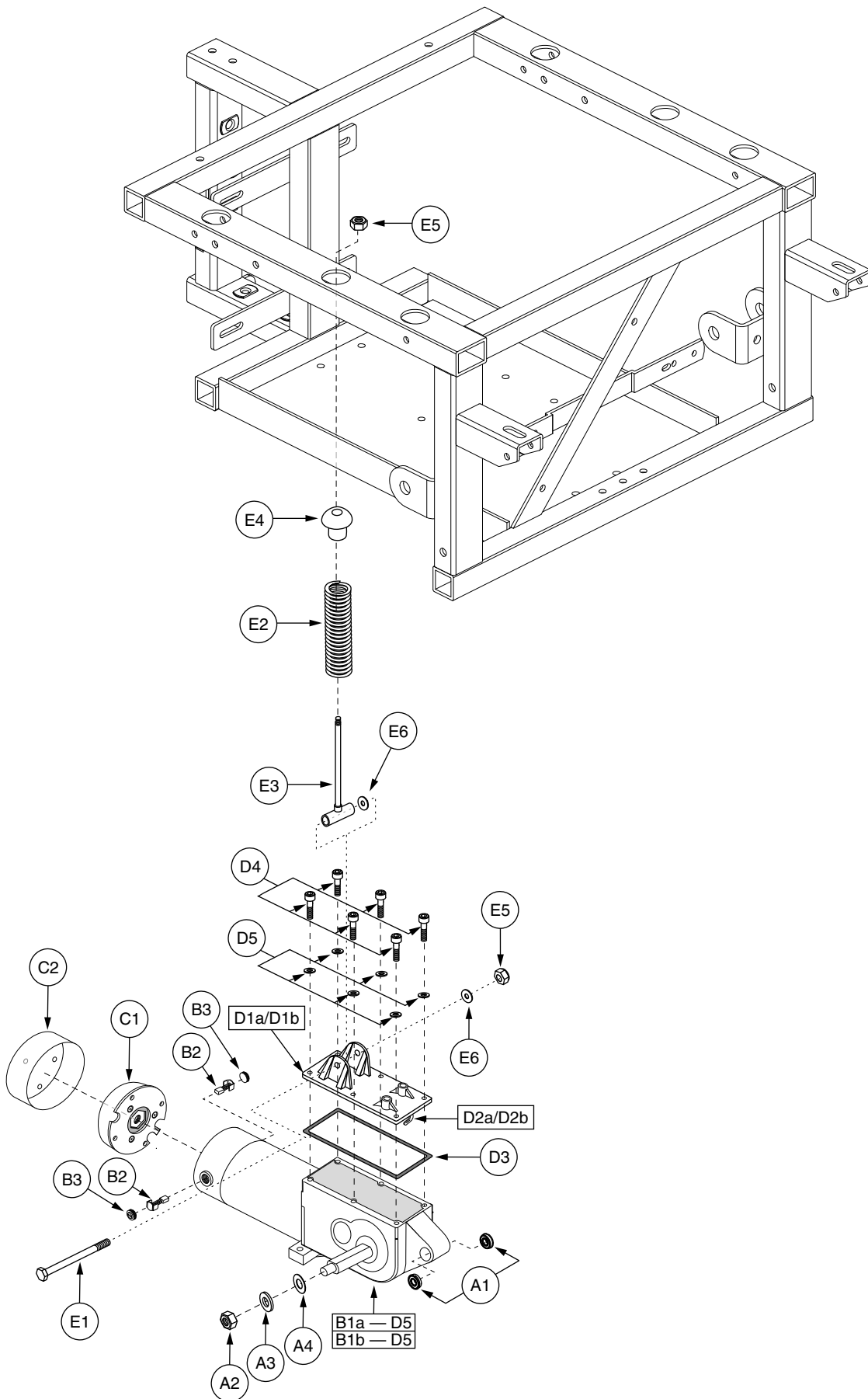
### Notes :

Generation #2. Applicable to units manufactured prior to December 11, 2002.



### III. Charger Assembly

REF #	PART #	DESCRIPTION	QTY	Dealer \$	MSRP	11i
A1 — A4	ELEASMB1045	CHARGER,ASSY,ONBOARD,110V, 5 AMP,CUL APPROVED,GUEST,JAZZY	1	\$144.9	\$369.5	
A1	ELE110V1010	CHARGER,110V, 5 AMP,CUL APPROVED,GUEST,JAZZY,(GUEST)	1	\$144.9	\$369.5	
A2	NUTNYLK1001	NUT,NYLOCK,BLACK ZINC,10-32	4	\$1.05	\$2.68	
A3	SCRPTH1003	SCREW, PTH,ELMR,10-32 X 5/8",G2	4	\$1.05	\$2.68	
A4	PLSTIE1004	TIE WRAP,BLACK,8"	1	\$1.05	\$2.68	



Note: Right side shown.

# IV. Drive Assembly — High Torque (Std.)

REF #	PART #	DESCRIPTION	QTY	Dealer \$	MSRP	11i
A1 — E6	DRVASMB1165	MOTOR,ASSY,DRIVE,E675,STANDARD SPEED(HT) MOTOR OPTION,JAZZY1420/1470,PAIR	1	\$917.7	\$2340.14	
A1a — E6	DRVASMB1307	MOTOR,ASSY,DRIVE,E675HT,EXTERNAL THREAD,SINGLE BRAKE,RIGHT	1	\$458.85	\$1170.07	
A1b — E6	DRVASMB1306	MOTOR,ASSY,DRIVE,E675HT,EXTERNAL THREAD,SINGLE BRAKE,LEFT	1	\$458.85	\$1170.07	
A1	BRGSLV1003	BEARING,RADIAL BALL,0.50" ID X 1.125" OD X 0.3125" TH,METAL SHIELD,R8ZZ,A-1010-014	2	\$1.05	\$2.68	
A2	NUTNJAM1018	NUT,NYLOCK JAM,BLACK ZINC,1/2-20	1	\$1.05	\$2.68	
A3	WASNLYN1018	WASHER,NYLON,0.500" ID X 1.125" OD X 0.0625" TH	1	\$1.05	\$2.68	
A4	WASWAVY1009	WASHER,BELLEVILLE,STAINLESS STEEL,0.515"ID X 1.00"OD X 0.073"TH	1	\$1.05	\$2.68	
*A5	NUTNYLK1006	NUT,NYLOCK,BLACK ZINC,3/8-16	2	\$1.05	\$2.68	
*A6	BLTASHL1003	BOLT,SHOULDER,1/2" X 2.50"	2	\$1.05	\$2.68	
*B1a — D5	DRVMOTR1119	MOTOR,MERRIT,E675HT,85°,5.44" LG HANDLE,RIGHT,(ROCKWELL: 675-056-957)	1	\$447.3	\$1140.62	
*B1b — D5	DRVMOTR1118	MOTOR,DRIVE,E675HT,85°,5.44" LG HANDLE,LEFT,(ROCKWELL: 675-057-958)	1	\$447.3	\$1140.62	
B2	DRVBRSH1000	MOTOR,BRUSH,JAZZY,(RELIANCE: 0002-6957)	2	\$14.24	\$36.31	
B3	PLSINDV1059	MOTOR,BRUSH CAP,(RELIANCE: 0003-0035)	2	\$1.05	\$2.68	
C1 — C2	DRVASMB1706	MOTOR,ASSY,BRAKE,WARNER,E675/679	1	\$95.33	\$243.09	
C1	DRV1045	BRAKE,ELECTRIC SOLENOID,WARNER,(WR198A218P1/0002-9395)	1	\$79.8	\$203.49	
C2	PLSINDV1111	CAP,SABLE,MOTOR,BRAKE,E660/E675,(RELIANCE: 03-006839)	1	\$15.62	\$39.83	
D1a — D5	FRMASMB2527	MOTOR,ASSY,GEARBOX COVER,METAL HOUSING,RIGHT, E660/E675	1	\$44.38	\$113.16	
D1b — D5	FRMASMB2526	MOTOR,ASSY,GEARBOX COVER,METAL HOUSING,LEFT, E660/E675	1	\$44.38	\$113.16	
D1a	INDPART2090	COVER,GEARBOX,E660/E675 METAL HOUSING,RIGHT,(RELIANCE: 1170038044)	1	\$31.5	\$80.33	
D1b	INDPART2089	COVER,GEARBOX,E660/E675 METAL HOUSING,LEFT,(RELIANCE: 1170038043)	1	N/A	N/A	
D2a	INDPART1949	MOTOR,PADDLE,W/PIN, RIGHT,(RELIANCE: 1150159006)	1	\$10.71	\$27.31	
D2b	INDPART1948	MOTOR,PADDLE,WITH PIN,LEFT,(RELIANCE: 1150159005)	1	\$10.71	\$27.31	
D3	GASCORK1001	GASKET,EMBEDDED CORK,(RELIANCE: 1161101016)	1	N/A	N/A	
D4	SCRALNH1011	SCREW,SHCS,ZINC,M6-1.0 X 22MM	6	\$1.05	\$2.68	
D5	WASLOCK1003	WASHER,LOCK,ZINC,M6	6	\$1.05	\$2.68	
E1 — E6	FRMASMB1722	MOTOR,ASSY,STRUT,5.500"LG	1	\$16.8	\$42.84	
E1	SCRHHCS1051	SCREW,HHCS,BLACK ZINC,5/16-18 X 3.75",GRADE 5	1	\$1.05	\$2.68	
E2	SPGRAW1007	SPRING,PURPLE,2.50" FL	1	\$2.1	\$5.36	
E3	IND1216B000	MOTOR,STRUT WELDMENT,5.500"LENGTH,B-1200-016	1	\$13.65	\$34.81	
E4	DWG1200A230	BALL PIVOT,SPRING ROD,A-1200-023	1	\$1.05	\$2.68	
E5	NUTNYLK1026	NUT,NYLOCK,BLACK ZINC,5/16-18	2	\$1.8	\$3	
E6	WASWAVY1008	WASHER,BELLEVILLE,STAINLESS STEEL,0.317"ID X 0.625"OD X .022"TH	2	\$1.05	\$2.68	

### Notes :

Top-level assemblies will include components designated with corresponding lower-case letters. Parts without lower-case letters will be included in all top-level assemblies.

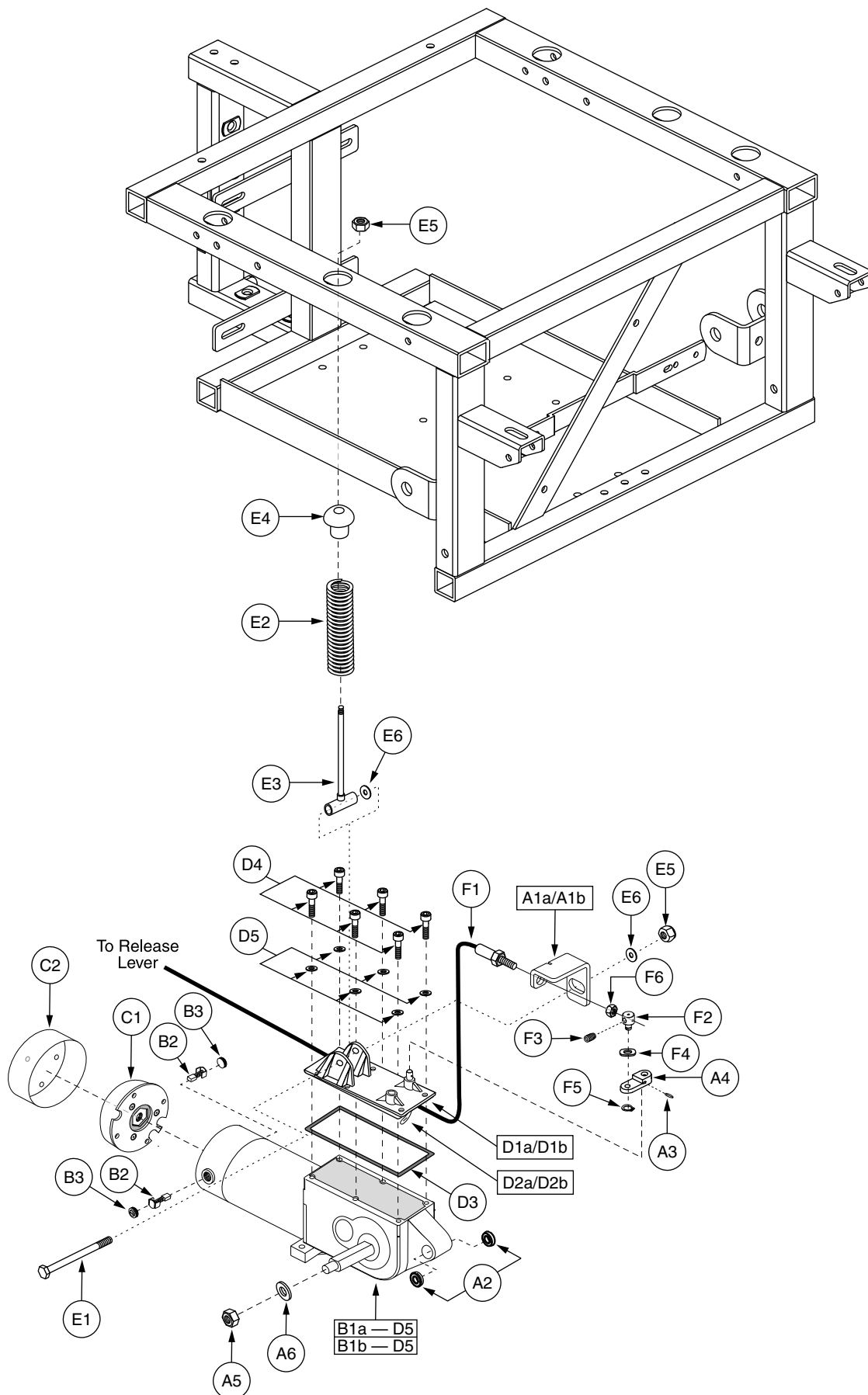
\*A5 Not shown.

\*A6 Not shown.

\*B1a — D5 The DRVMOTR is not available individually. The appropriate DRVASMB must be purchased.

\*B1b — D5 The DRVMOTR is not available individually. The appropriate DRVASMB must be purchased.

# IV. Drive Assembly — High Torque (Std.), Single #3 Single Lever Brake Ready



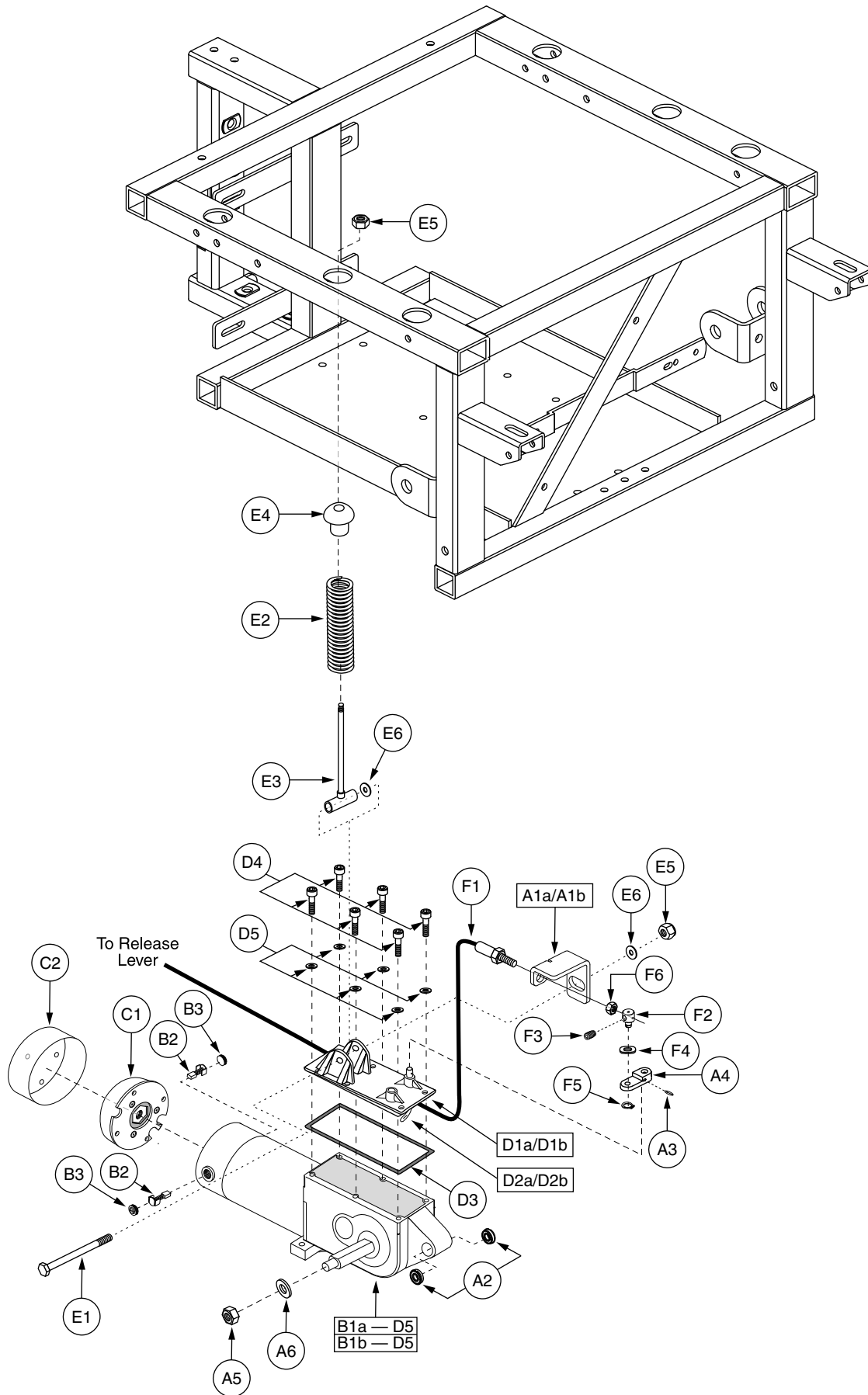
Note: Right side shown.

# IV. Drive Assembly — High Torque (Std.), Single #3 Single Lever Brake Ready

REF #	PART #	DESCRIPTION	QTY	Dealer \$	MSRP	11i
A1 — F6	DRVASMB1500	MOTOR,ASSY,DRIVE,E675HT,STANDARD SPEED (HT), JAZZY1420, W/SINGLE LEVER BRAKE RELEASE-STYLE #3, 25" CABLE, PAIR	1	\$961.8	\$2452.59	
A1a — E6	DRVASMB1502	MOTOR,ASSY,DRIVE,E675HT,STANDARD SPEED (HT), JAZZY1420/1470, W/SINGLE LEVER BRAKE RELEASE-STYLE #3, RIGHT	1	\$467.25	\$1191.49	
A1b — E6	DRVASMB1501	MOTOR,ASSY,DRIVE,E675HT,STANDARD SPEED (HT), JAZZY1420/1470, W/SINGLE LEVER BRAKE RELEASE-STYLE #3, LEFT	1	\$467.25	\$1191.49	
A1a	DWR1122C056	FREEWHEEL,CABLE BRACKET,RIGHT,RIGHT	1	\$6.3	\$16.07	
A1b	DWR1122C055	FREEWHEEL,CABLE BRACKET,LEFT,LEFT	1	\$6.3	\$16.07	
A2	BRGSLV1003	BEARING,RADIAL BALL,0.50" ID X 1.125" OD X 0.3125" TH,METAL SHIELD,R8ZZ,A-1010-014	2	\$1.05	\$2.68	
A3	PINSPRG1001	PIN, SPRING,1/8" X 3/4"	1	\$2.1	\$5.36	
A4	DWR1122C057	FREEWHEEL,MOTOR LEVER BRACKET	1	\$9.45	\$24.1	
A5	NUTNJAM1018	NUT,NYLOCK JAM,BLACK ZINC,1/2-20	1	\$1.05	\$2.68	
A6	WASWAVY1009	WASHER,BELLEVILLE,STAINLESS STEEL,0.515"ID X 1.00"OD X 0.073"TH	1	\$1.05	\$2.68	
*B1a — D5	DRVMOTR1119	MOTOR,MERRIT,E675HT,85°,5.44" LG HANDLE,RIGHT,C-1210-006,(ELECTROCRRAFT: 675-056-957)	1	\$447.3	\$1140.62	
*B1b — D5	DRVMOTR1118	MOTOR,MERRIT,E675HT,85°,5.44" LG HANDLE,LEFT,C-1210-005,(ELECTROCRRAFT: 675-057-958)	1	\$447.3	\$1140.62	
B2	DRVBRSH1000	MOTOR,BRUSH,JAZZY,(RELIANCE: 0002-6957)	2	\$14.24	\$36.31	
B3	PLSINDV1059	MOTOR,BRUSH CAP,(RELIANCE: 0003-0035)	2	\$1.05	\$2.68	
C1 — C2	DRVASMB1706	MOTOR,ASSY,BRAKE,WARNER,E675/679	1	\$95.33	\$243.09	
C1	DRV1045	BRAKE,ELECTRIC SOLENOID,WARNER,(WR198A218P1/0002-9395)	1	\$79.8	\$203.49	
C2	PLSINDV1111	CAP,SABLE,MOTOR,BRAKE,E660/E675,(RELIANCE: 03-006839)	1	\$15.62	\$39.83	
D1a — D5	FRMASMB2527	MOTOR,ASSY,GEARBOX COVER,METAL HOUSING,RIGHT, E660/E675	1	\$44.38	\$113.16	
D1b — D5	FRMASMB2526	MOTOR,ASSY,GEARBOX COVER,METAL HOUSING,LEFT, E660/E675	1	\$44.38	\$113.16	
D1a	INDPART2090	COVER,GEARBOX,E660/E675 METAL HOUSING,RIGHT,(RELIANCE: 1170038044)	1	\$31.5	\$80.33	
D1b	INDPART2089	COVER,GEARBOX,E660/E675 METAL HOUSING,LEFT,(RELIANCE: 1170038043)	1	N/A	N/A	
D2a	INDPART1949	MOTOR,PADDLE,W/PIN, RIGHT,(RELIANCE: 1150159006)	1	\$10.71	\$27.31	
D2b	INDPART1948	MOTOR,PADDLE,WITH PIN,LEFT,(RELIANCE: 1150159005)	1	\$10.71	\$27.31	
D3	GASCORK1001	GASKET,EMBEDDED CORK,(RELIANCE: 1161101016)	1	N/A	N/A	
D4	SCRALNH1011	SCREW,SHCS,ZINC,M6-1.0 X 22MM	6	\$1.05	\$2.68	
D5	WASLOCK1003	WASHER,LOCK,ZINC,M6	6	\$1.05	\$2.68	
E1 — E6	FRMASMB1722	MOTOR,ASSY,STRUT,5.500"LG	1	\$16.8	\$42.84	
E1	SCRHHCS1051	SCREW,HHCS,BLACK ZINC,5/16-18 X 3.75",GRADE 5	1	\$1.05	\$2.68	
E2	SPGRAW1007	SPRING,PURPLE,2.50" FL	1	\$2.1	\$5.36	
E3	IND1216B000	MOTOR,STRUT WELDMENT,5.500"LENGTH,B-1200-016	1	\$13.65	\$34.81	
E4	DWG1200A230	BALL PIVOT,SPRING ROD,A-1200-023	1	\$1.05	\$2.68	
E5	NUTNYLK1026	NUT,NYLOCK,BLACK ZINC,5/16-18	2	\$1.8	\$3	
E6	WASWAVY1008	WASHER,BELLEVILLE,STAINLESS STEEL,0.317"ID X 0.625"OD X .022"TH	2	\$1.05	\$2.68	
*F1 — F6	FRMASMB5186	CABLE,ASSY,SINGLE LEVER BRAKE RELEASE,25"L,STYLE #3, W/CLAMP	2	\$14.7	\$37.49	
F1	DWR1200C155	CABLE,RELEASE CABLE,25"L,W/SWIVEL,C-1200-155	1	\$4.2	\$10.71	
F2	DWR1122B051	FREEWHEEL,CABLE CLAMP,B-1122-051	1	\$5.25	\$13.39	
F3	SCRSETS1013	SCREW,SET,1/4-20 X 1/4"	1	\$1.05	\$2.68	
F4	WASSTIN1000	WASHER,FLAT,STAINLESS STEEL,1/4"	1	\$1.05	\$2.68	
F5	RNGRTAN1020	RETAINING RING,ZINC PLATED,0.25",EXTERNAL,(MCMMASTER-CARR: 98410A113)	1	\$1.05	\$2.68	

The parts list is continued on the subsequent pages.

# IV. Drive Assembly — High Torque (Std.), Single #3 Single Lever Brake Ready



\*Note: Right side shown.



# IV. Drive Assembly — High Torque (Std.), Single #3 Single Lever Brake Ready

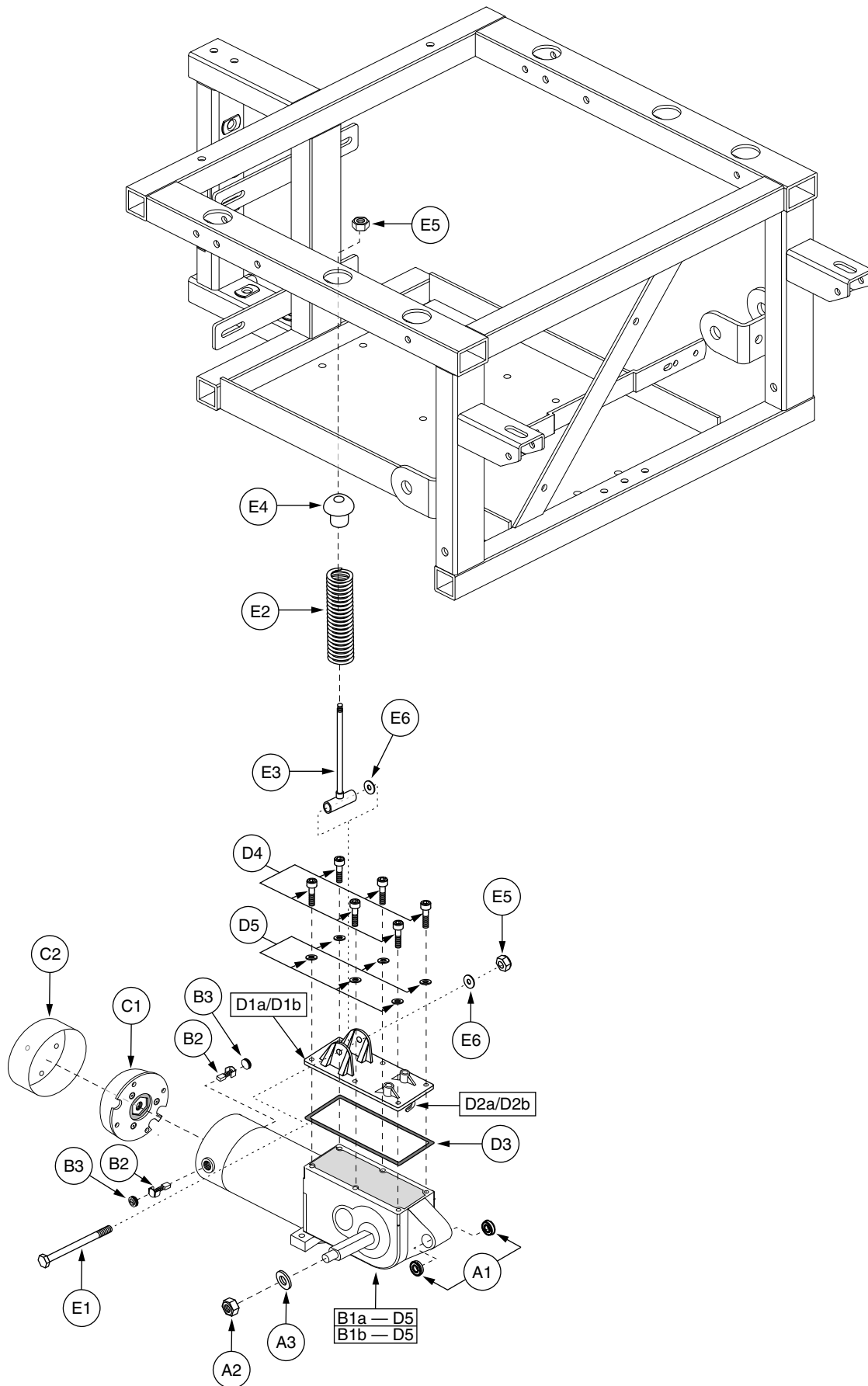
The parts list is continued from the previous pages.

REF #	PART #	DESCRIPTION	QTY	Dealer \$	MSRP	11i
F6	NUTNJAM1014	NUT,NYLOCK JAM,BLACK ZINC,1/4-20	1	\$1.05	\$2.68	

### Notes :

Top-level assemblies will include components designated with corresponding lower-case letters. Parts without lower-case letters will be included in all top-level assemblies.

- \*B1a — D5 The DRVMOTR is not available individually. The appropriate DRVASMB must be purchased.
- \*B1b — D5 The DRVMOTR is not available individually. The appropriate DRVASMB must be purchased.
- \*F1 — F6 One assembly shown for illustration purposes only.



\*Note: Right side shown.

# IV. Drive Assembly — High Speed (Opt.)

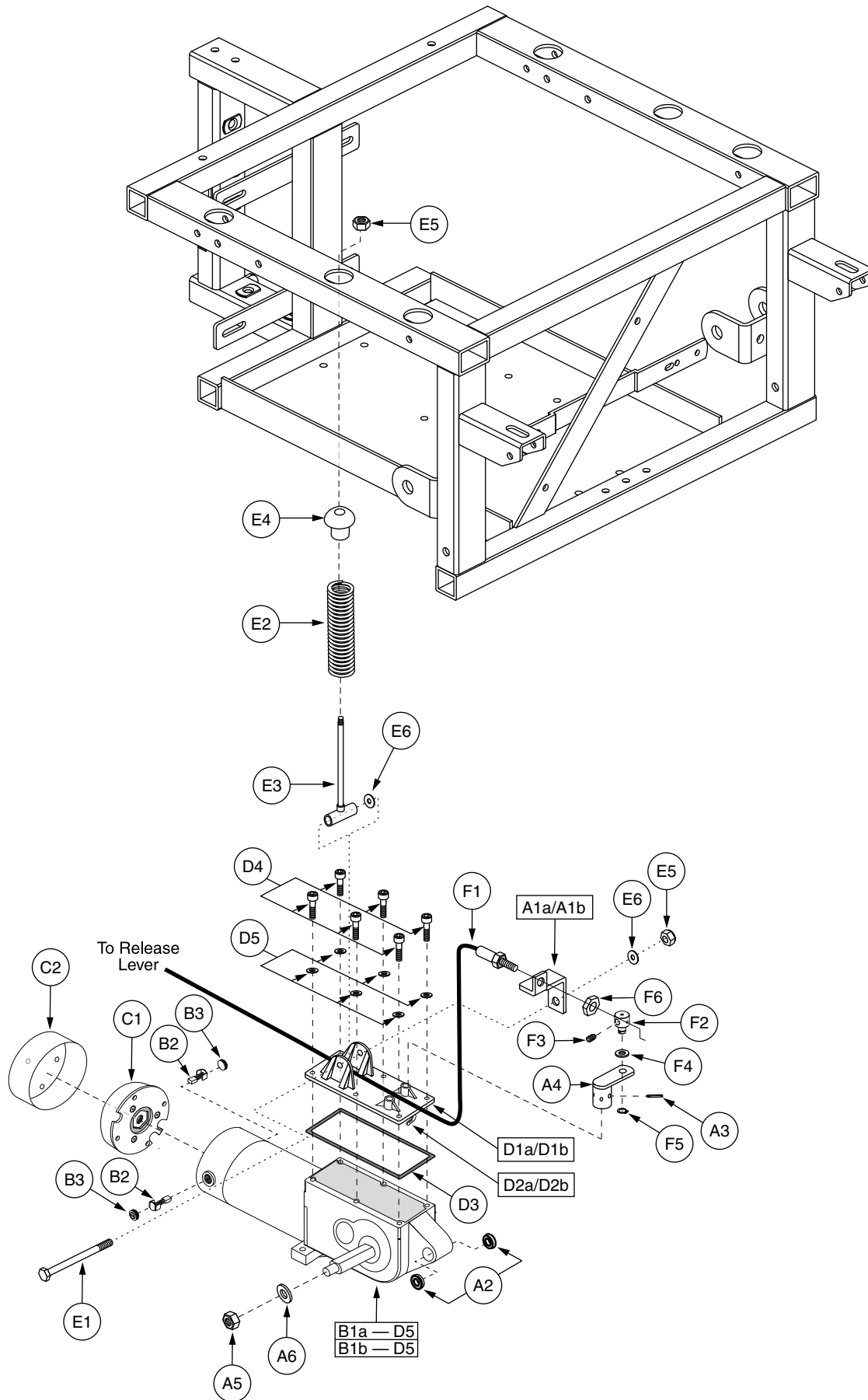
REF #	PART #	DESCRIPTION	QTY	Dealer \$	MSRP	11i
A1 — E6	DRVASMB1166	MOTOR,ASSY,DRIVE,E675XL,SINGLE BRAKE READY, PAIR	1	\$929.94	\$2371.35	
A1a — E6	DRVASMB1140	MOTOR,ASSY,DRIVE,E675XL,EXTERNAL THREAD,SINGLE BRAKE,RIGHT	1	\$464.97	\$1185.67	
A1b — E6	DRVASMB1141	MOTOR,ASSY,DRIVE,E675XL,EXTERNAL THREAD,SINGLE BRAKE,LEFT	1	\$464.97	\$1185.67	
A1	BRGSLV1003	BEARING,RADIAL BALL,0.50" ID X 1.125" OD X 0.3125" TH,METAL SHIELD,R8ZZ,A-1010-014	2	\$1.05	\$2.68	
A2	NUTNJAM1018	NUT,NYLOCK JAM,BLACK ZINC,1/2-20	1	\$1.05	\$2.68	
A3	WASWAVY1009	WASHER,BELLEVILLE,STAINLESS STEEL,0.515"ID X 1.00"OD X 0.073"TH	1	\$1.05	\$2.68	
*B1a — D5	DRVMOTR1115	MOTOR,E675,85°,5.44"LG HANDLE,RIGHT,C-1210-008,(ELECTRORAFT: 675-050-957)	1	\$447.3	\$1140.62	
*B1b — D5	DRVMOTR1114	MOTOR,E675,85°,5.44"LG HANDLE,LEFT,C-1210-007,(ELECTRORAFT: 675-051-958)	1	\$447.3	\$1140.62	
B2	DRVBRSH1000	MOTOR,BRUSH,JAZZY,(RELIANCE: 0002-6957)	2	\$14.24	\$36.31	
B3	PLSINDV1059	MOTOR,BRUSH CAP,(RELIANCE: 0003-0035)	2	\$1.05	\$2.68	
C1 — C2	DRVASMB1706	MOTOR,ASSY,BRAKE,WARNER,E675/679	1	\$95.33	\$243.09	
C1	DRV1045	BRAKE,ELECTRIC SOLENOID,WARNER,(WR198A218P1/0002-9395)	1	\$79.8	\$203.49	
C2	PLSINDV1111	CAP,SABLE,MOTOR,BRAKE,E660/E675,(RELIANCE: 03-006839)	1	\$15.62	\$39.83	
D1a — D5	FRMASMB2527	MOTOR,ASSY,GEARBOX COVER,METAL HOUSING,RIGHT, E660/E675	1	\$44.38	\$113.16	
D1b — D5	FRMASMB2526	MOTOR,ASSY,GEARBOX COVER,METAL HOUSING,LEFT, E660/E675	1	\$44.38	\$113.16	
D1a	INDPART2090	COVER,GEARBOX,E660/E675 METAL HOUSING,RIGHT,(RELIANCE: 1170038044)	1	\$31.5	\$80.33	
D1b	INDPART2089	COVER,GEARBOX,E660/E675 METAL HOUSING,LEFT,(RELIANCE: 1170038043)	1	N/A	N/A	
D2a	INDPART1949	MOTOR,PADDLE,W/PIN, RIGHT,(RELIANCE: 1150159006)	1	\$10.71	\$27.31	
D2b	INDPART1948	MOTOR,PADDLE,WITH PIN,LEFT,(RELIANCE: 1150159005)	1	\$10.71	\$27.31	
D3	GASCORK1001	GASKET,EMBEDDED CORK,(RELIANCE: 1161101016)	1	N/A	N/A	
D4	SCRALNH1011	SCREW,SHCS,ZINC,M6-1.0 X 22MM	6	\$1.05	\$2.68	
D5	WASLOCK1003	WASHER,LOCK,ZINC,M6	6	\$1.05	\$2.68	
E1 — E6	FRMASMB1722	MOTOR,ASSY,STRUT,5.500"LG	1	\$16.8	\$42.84	
E1	SCRHHCS1051	SCREW, HHCS,5/16-18 X 3 1/4",G5	1	\$1.05	\$2.68	
E2	SPGRAW1007	SPRING,PURPLE,2.50" FL	1	\$2.1	\$5.36	
E3	IND1216B000	MOTOR,STRUT WELDMENT,5.500"LENGTH,B-1200-016	1	\$13.65	\$34.81	
E4	DWG1200A230	BALL PIVOT,SPRING ROD,A-1200-023	1	\$1.05	\$2.68	
E5	NUTNYLK1026	NUT,NYLOCK,BLACK ZINC,5/16-18	2	\$1.8	\$3	
E6	WASWAVY1008	WASHER,BELLEVILLE,STAINLESS STEEL,0.317"ID X 0.625"OD X .022"TH	2	\$1.05	\$2.68	

### Notes :

Top-level assemblies will include components designated with corresponding lower-case letters. Parts without lower-case letters will be included in all top-level assemblies.

- \*B1a — D5 The DRVMOTR is not available individually. The appropriate DRVASMB must be purchased.
- \*B1b — D5 The DRVMOTR is not available individually. The appropriate DRVASMB must be purchased.

# IV. Drive Assembly — High Speed (Opt.), Style #3 Single Lever Brake Ready



\*Note: Right side shown.

# IV. Drive Assembly — High Speed (Opt.), Style #3 Single Lever Brake Ready

REF #	PART #	DESCRIPTION	QTY	Dealer \$	MSRP	11i
A1 — F6	DRVASMB1503	MOTOR,ASSY,DRIVE,E675XL,HIGH SPEED OPTION,JAZZY1420,W/SINGLE LEVER BRAKE,PAIR	1	\$934.98	\$2384.2	
A1a — E6	DRVASMB1505	MOTOR,ASSY,DRIVE,E675XL,HIGH SPEED OPTION,JAZZY1420/1470,W/SINGLE LEVER BRAKE,RIGHT	1	\$467.49	\$1192.1	
A1b — E6	DRVASMB1504	MOTOR,ASSY,DRIVE,E675XL,HIGH SPEED OPTION,JAZZY1420/1470,W/SINGLE LEVER BRAKE,LEFT	1	\$467.49	\$1192.1	
A1a	DWG1200B730	FREEWHEEL,CABLE BRACKET,RIGHT, BRAKE RELEASE,B-1200-073	1	\$2.1	\$5.36	
A1b	DWG1200B740	FREEWHEEL,CABLE BRACKET,LEFT, BRAKE RELEASE,B-1200-074	1	\$2.1	\$5.36	
A2	BRGSLV1003	BEARING,RADIAL BALL,0.50" ID X 1.125" OD X 0.3125" TH,METAL SHIELD,R8ZZ,A-1010-014	2	\$1.05	\$2.68	
A3	PINSPRG1001	PIN, SPRING,1/8" X 3/4"	1	\$2.1	\$5.36	
A4	DWR1170B005	FREEWHEEL,LEVER WELDMENT,B-1170-005	1	N/A	N/A	
A5	NUTNJAM1018	NUT,NYLOCK JAM,BLACK ZINC,1/2-20	1	\$1.05	\$2.68	
A6	WASWAVY1009	WASHER,BELLEVILLE,STAINLESS STEEL,0.515"ID X 1.00"OD X 0.073"TH	1	\$1.05	\$2.68	
*B1a — D5	DRVMOTR1115	MOTOR,E675,85°,5.44"LG HANDLE,RIGHT,C-1210- 008,(ELECTROCRRAFT: 675-050-957)	1	\$447.3	\$1140.62	
*B1b — D5	DRVMOTR1114	MOTOR,E675,85°,5.44"LG HANDLE,LEFT,C-1210- 007,(ELECTROCRRAFT: 675-051-958)	1	\$447.3	\$1140.62	
B2	DRVBRSH1000	MOTOR,BRUSH,JAZZY,(RELIANCE: 0002-6957)	2	\$14.24	\$36.31	
B3	PLSINDV1059	MOTOR,BRUSH CAP,(RELIANCE: 0003-0035)	2	\$1.05	\$2.68	
C1 — C2	DRVASMB1706	MOTOR,ASSY,BRAKE,WARNER,E675/679	1	\$95.33	\$243.09	
C1	DRV1045	BRAKE,ELECTRIC SOLENOID,WARNER,(WR198A218P1/0002-9395)	1	\$79.8	\$203.49	
C2	PLSINDV1111	CAP,SABLE,MOTOR,BRAKE,E660/E675,(RELIANCE: 03-006839)	1	\$15.62	\$39.83	
D1a — D5	FRMASMB2527	MOTOR,ASSY,GEARBOX COVER,METAL HOUSING,RIGHT, E660/E675	1	\$44.38	\$113.16	
D1b — D5	FRMASMB2526	MOTOR,ASSY,GEARBOX COVER,METAL HOUSING,LEFT, E660/E675	1	\$44.38	\$113.16	
D1a	INDPART2090	COVER,GEARBOX,E660/E675 METAL HOUSING,RIGHT,(RELIANCE: 1170038044)	1	\$31.5	\$80.33	
D1b	INDPART2089	COVER,GEARBOX,E660/E675 METAL HOUSING,LEFT,(RELIANCE: 1170038043)	1	N/A	N/A	
D2a	INDPART1949	MOTOR,PADDLE,W/PIN, RIGHT,(RELIANCE: 1150159006)	1	\$10.71	\$27.31	
D2b	INDPART1948	MOTOR,PADDLE,WITH PIN,LEFT,(RELIANCE: 1150159005)	1	\$10.71	\$27.31	
D3	GASCORK1001	GASKET,EMBEDDED CORK,(RELIANCE: 1161101016)	1	N/A	N/A	
D4	SCRALNH1011	SCREW,SHCS,ZINC,M6-1.0 X 22MM	6	\$1.05	\$2.68	
D5	WASLOCK1003	WASHER,LOCK,ZINC,M6	6	\$1.05	\$2.68	
E1 — E6	FRMASMB1722	MOTOR,ASSY,STRUT,5.500"LG	1	\$16.8	\$42.84	
E1	SCRHHCS1051	SCREW,HHCS,BLACK ZINC,5/16-18 X 3.75",GRADE 5	1	\$1.05	\$2.68	
E2	SPGRAW1007	SPRING,PURPLE,2.50" FL	1	\$2.1	\$5.36	
E3	IND1216B000	MOTOR,STRUT WELDMENT,5.500"LENGTH,B-1200-016	1	\$13.65	\$34.81	
E4	DWG1200A230	BALL PIVOT,SPRING ROD,A-1200-023	1	\$1.05	\$2.68	
E5	NUTNYLK1026	NUT,NYLOCK,BLACK ZINC,5/16-18	2	\$1.8	\$3	
E6	WASWAVY1008	WASHER,BELLEVILLE,STAINLESS STEEL,0.317"ID X 0.625"OD X .022"TH	2	\$1.05	\$2.68	
*F1 — F6	FRMASMB5186	CABLE,ASSY,SINGLE LEVER BRAKE RELEASE,25"L,STYLE #3, W/CLAMP	2	\$14.7	\$37.49	
F1	DWR1200C155	CABLE,RELEASE CABLE,25"L,W/SWIVEL,C-1200-155	1	\$4.2	\$10.71	
F2	DWR1122B051	FREEWHEEL,CABLE CLAMP,B-1122-051	1	\$5.25	\$13.39	
F3	SCRSETS1013	SCREW,SET,1/4-20 X 1/4"	1	\$1.05	\$2.68	
F4	WASSTIN1000	WASHER,FLAT,STAINLESS STEEL,1/4"	1	\$1.05	\$2.68	
F5	RNGRTAN1020	RETAINING RING,ZINC PLATED,0.25",EXTERNAL,(MCMMASTER-CARR: 98410A113)	1	\$1.05	\$2.68	
F6	NUTNJAM1014	NUT,NYLOCK JAM,BLACK ZINC,1/4-20	1	\$1.05	\$2.68	

### Notes :

Top-level assemblies will include components designated with corresponding lower-case letters. Parts without lower-case letters will be included in all top-level assemblies.

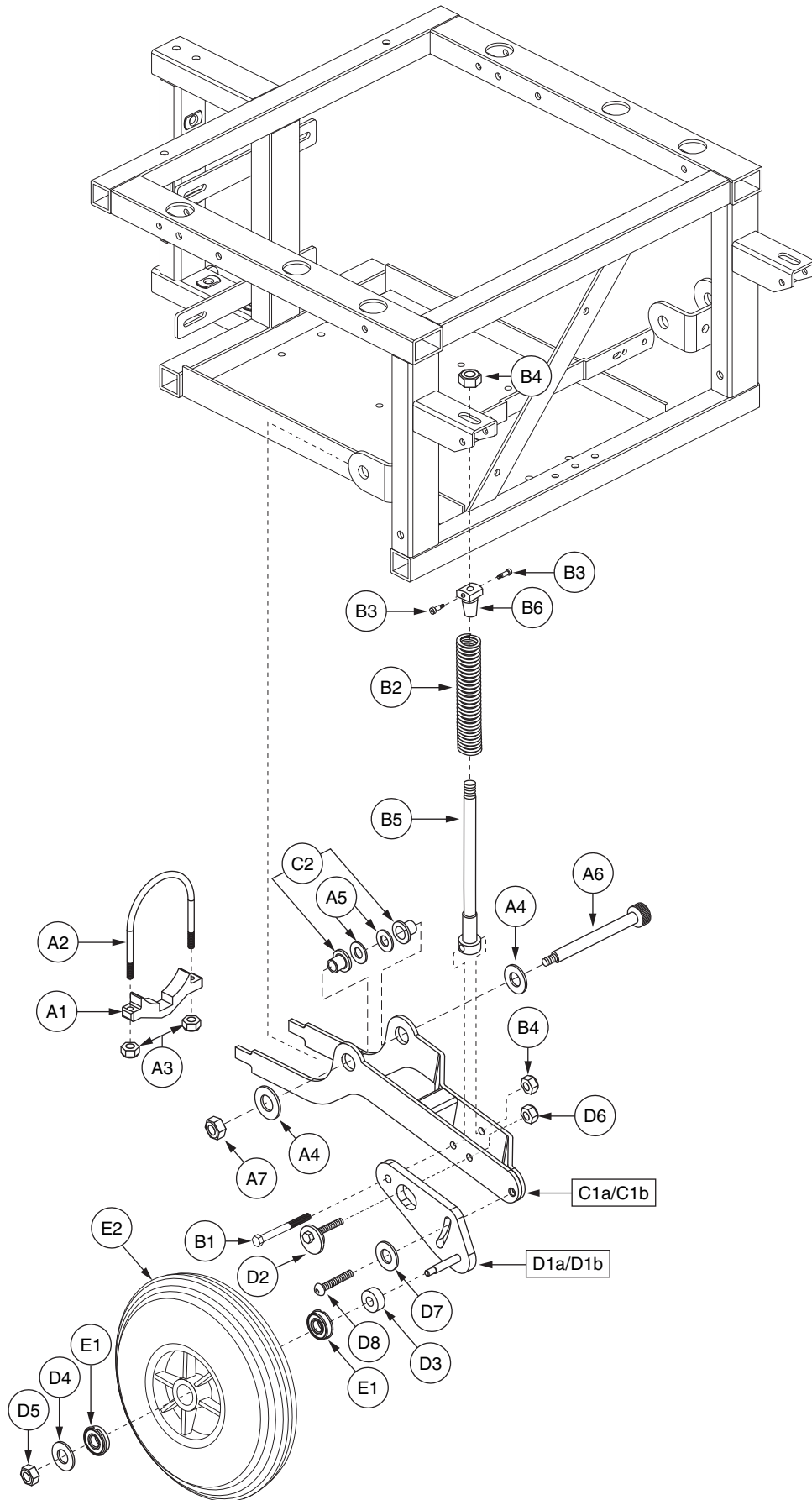
\*B1a — D5 The DRVMOTR is not available individually. The appropriate DRVASMB must be purchased.

\*B1b — D5 The DRVMOTR is not available individually. The appropriate DRVASMB must be purchased.

\*F1 — F6 One assembly shown for assembly purposes only.

# V. Anti-tip Assembly — Standard

Generation #6. Retrofits all previous generations.



\*Note: Right side shown.

# V. Anti-tip Assembly — Standard

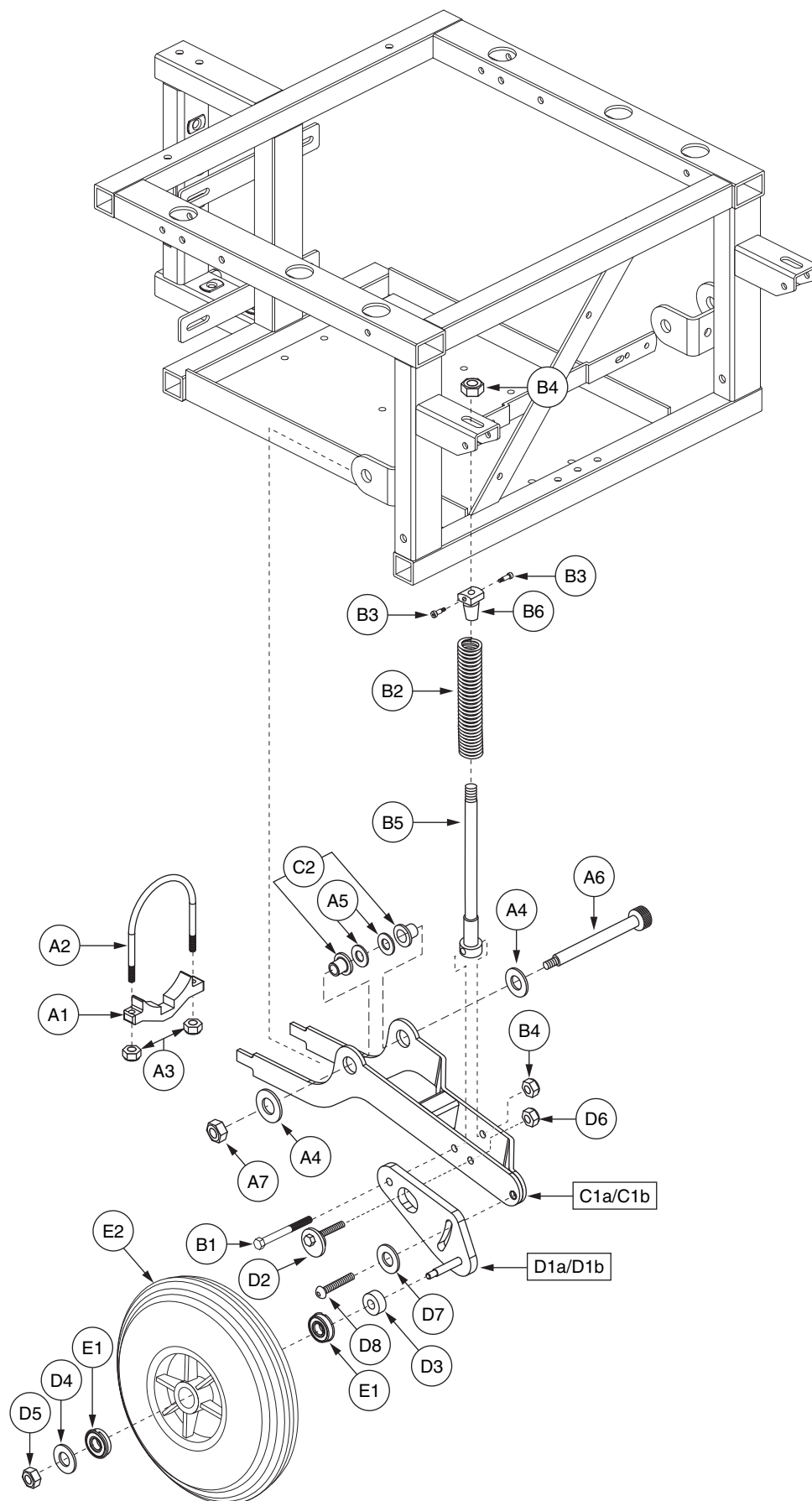
REF #	PART #	DESCRIPTION	QTY	Dealer \$	MSRP	11i
A1 — E2	FRMASMB2289	ANTI-TIP,ASSY,ATS CAM ADJUSTABLE,3/8" SHAFT,BEIGE SPRING,RIGHT	1	\$80.85	\$206.17	
A1 — E2	FRMASMB2287	ANTI-TIP,ASSY,ATS CAM ADJUSTABLE,3/8" SHAFT,BEIGE SPRING,LEFT	1	\$80.85	\$206.17	
A1	BRK1217C000	CLAMP,U-BOLT,CURB CLIMBER,C-1200-017	1	\$3.15	\$8.03	
A2	IND1205B000	BOLT,"U",BRIGHT ZINC,1/4-20 X 3.50" W X 4.125" H X 0.75" THREAD LENGTH,B-1200-005	1	\$1.05	\$2.68	
A3	NUTNYLK1014	NUT,NYLOCK,BLACK ZINC,1/4-20	2	\$1.05	\$2.68	
A4	WASINDV1000	WASHER,ZINC,0.50" ID X 1.00" OD X 0.125" TH	2	\$1.05	\$2.68	
A5	WASNYLN1018	WASHER,NYLON,0.500" ID X 1.125" OD X 0.0625" TH	2	\$1.05	\$2.68	
A6	BLTASHL1005	BOLT,SHOULDER,1/2" X 3.50"	1	\$1.05	\$2.68	
A7	NUTNYLK1006	NUT,NYLOCK,BLACK ZINC,3/8-16	1	\$1.05	\$2.68	
B1 — B6	FRMASMB2632	STRUT,ASSY,7.375"LG,5/16"SHAFT,5.00" BEIGE SPRING	1	\$16.8	\$42.84	
B1	SCRHHCS1143	SCREW,HHCS,BLACK ZINC,5/16-18 X 2.50",GRADE 5	1	\$1.05	\$2.68	
B2	SPGRAW1018	SPRING,BEIGE,5.00" FL	1	\$2.1	\$5.36	
B3	BLTASHL1016	BOLT,SHOULDER,1/4" X 0.25",3/8" THREAD LENGTH	2	\$1.05	\$2.68	
B4	NUTNYLK1026	NUT,NYLOCK,BLACK ZINC,5/16-18	2	\$1.8	\$3	
B5	IND1217B000	SUSPENSION,ANTI-TIP STRUT WELDMENT,JAZZY 1120,B-1200-017	1	\$11.55	\$29.45	
B6	DWG1200A350	SUSPENSION,PIVOT,SPRING,A-1200-035	1	\$3.15	\$8.03	
C1a — E2	FRMASMB5175	ANTI-TIP,ASSY,BRACKET,JAZZY1170/1420/1470, ATS, RIGHT, W/FORK/WHEEL/CAM	1	\$61.95	\$157.97	
C1b — E2	FRMASMB5176	ANTI-TIP,ASSY,BRACKET,JAZZY1170/1420/1470, ATS, LEFT, W/FORK/WHEEL/CAM	1	\$61.95	\$157.97	
C1a — C2	FRMASMB2604	ANTI-TIP,ASSY,BRACKET,CAM ADJUSTABLE,RIGHT	1	\$25.2	\$64.26	
C1b — C2	FRMASMB2602	ANTI-TIP,ASSY,BRACKET,ATS,CAM ADJUSTABLE,LEFT	1	\$25.2	\$64.26	
C1a	DWR1170D082	ANTI-TIP,ATS MOTOR,CAM ADJUSTABLE, RIGHT,D-1170-082	1	\$22.05	\$56.23	
C1b	DWR1170D083	ANTI-TIP,ATS MOTOR,CAM ADJUSTABLE, LEFT,D-1170-083	1	\$22.05	\$56.23	
C2	BSHFLNG1004	BUSHING,FLANGE,BRONZE,0.50" X 0.75" X 0.375"	2	\$1.05	\$2.68	
D1a — D8	FRMASMB2631	CAM ADJ PLATE,ANTI-TIP BRACKET,.3750" SHAFT,RIGHT	1	\$21	\$53.55	
D1b — D8	FRMASMB2630	CAM ADJ PLATE,ASSY,ANTI-TIP BRACKET,.3750" SHAFT,LEFT	1	\$21	\$53.55	
D1a	DWR1010C010	ANTI-TIP BRACKET WELDMENT,SLOTTED,W/3/8" BOLT,RIGHT	1	\$14.7	\$37.49	
D1b	DWR1010C011	ANTI-TIP BRACKET WELDMENT,SLOTTED,W/3/8" BOLT,LEFT	1	\$14.7	\$37.49	
D2	DWR1170A015	ADJUSTABLE CAM WELDMENT,A-1170-015	1	\$6.3	\$16.07	
D3	DWR1170A018	SPACER,BLACK,NYLON,0.375ID X 1.38OD X 0.313TH,A-1170-018	1	\$2.1	\$5.36	
D4	WASSTND1002	WASHER,FLAT,BLACK ZINC,0.3125" ID X 0.6875" OD X 0.0625" TH	1	\$1.05	\$2.68	
D5	NUTNYLK1026	NUT,NYLOCK,BLACK ZINC,5/16-18	1	\$1.8	\$3	
D6	NUTNYLK1032	NUT,NYLOCK,BLACK ZINC,5/16-24	1	\$1.05	\$2.68	
D7	WASETH1005	WASHER, EXTERNAL TOOTH,5/16" ID,LOCK	1	\$1.05	\$2.68	
D8	SCRASBH1030	SCREW,BHSCS,BLACK ZINC,5/16-24 X 1.00"	1	\$1.05	\$2.68	
E1 — E2	WHLASMB1334	WHEEL,ASSY,200MM X 50MM,W/BEARINGS,CO-MOLDED	1	\$17.85	\$45.52	
E1	BRGSLV1009	BEARING,SLEEVE,0.375"ID X 0.875"OD	2	N/A	N/A	
E2	WHLATIP1003	WHEEL,ANTI-TIP,200 X 50,FOAM FILLED	1	N/A	N/A	

**Notes :**

Generation #6. Retrofits all previous generations. Top-level assemblies will include components designated with corresponding lower-case letters. Parts without lower-case letters will be included in all top-level assemblies.

# V. Anti-tip Assembly — Power Elevating Synergy Seat with Tilt/Recline

For use on units equipped with a Power Elevating Synergy Seating with Tilt/Recline.



\*Note: Right side shown.



# V. Anti-tip Assembly — Power Elevating Synergy Seat with Tilt/Recline

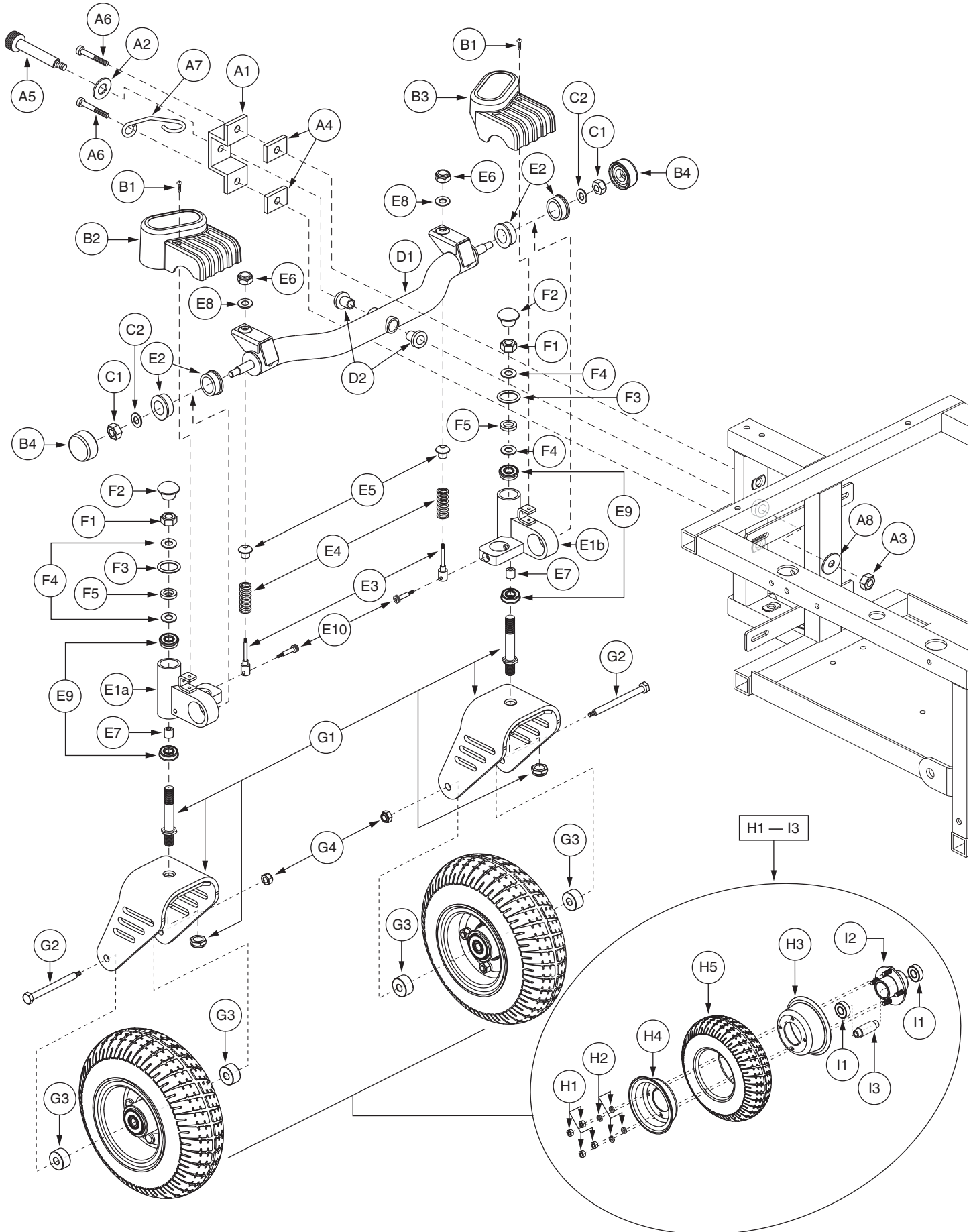
REF #	PART #	DESCRIPTION	QTY	Dealer \$	MSRP	11i
A1 — E2	FRMASMB7984	ANTI-TIP,ASSY,ATS,CAM ADJUSTABLE,3/8" SHAFT,PURPLE SPRING,RIGHT	1	\$82.95	\$211.52	
A1 — E2	FRMASMB7985	ANTI-TIP,ASSY,ATS,CAM ADJUSTABLE,3/8" SHAFT,PURPLE SPRING,LEFT	1	\$82.95	\$211.52	
A1	BRK1217C000	CLAMP,U-BOLT,CURB CLIMBER,C-1200-017	1	\$3.15	\$8.03	
A2	IND1205B000	BOLT,"U",BRIGHT ZINC,1/4-20 X 3.50" W X 4.125" H X 0.75" THREAD LENGTH,B-1200-005	1	\$1.05	\$2.68	
A3	NUTNYLK1014	NUT,NYLOCK,BLACK ZINC,1/4-20	2	\$1.05	\$2.68	
A4	WASINDV1000	WASHER,ZINC,0.50" ID X 1.00" OD X 0.125" TH	2	\$1.05	\$2.68	
A5	WASNYLN1018	WASHER,NYLON,0.500" ID X 1.125" OD X 0.0625" TH	2	\$1.05	\$2.68	
A6	BLTASHL1005	BOLT,SHOULDER,1/2" X 3.50"	1	\$1.05	\$2.68	
A7	NUTNYLK1006	NUT,NYLOCK,BLACK ZINC,3/8-16	1	\$1.05	\$2.68	
B1 — B6	FRMASMB7988	STRUT,ASSY,7.375"LG,5/16" SHAFT,5.00" PURPLE SPRING	1	\$17.85	\$45.52	
B1	SCRHHCS1143	SCREW,HHCS,BLACK ZINC,5/16-18 X 2.50",GRADE 5	1	\$1.05	\$2.68	
B2	SPGRAW1008	SPRING,PURPLE,5.00" FL X 0.915" OD X 0.162" WIRE DIA X RATE: 144LBS/IN,B-1010-039,(LEE SPRING: LHL-1000B-11)	1	\$2.1	\$5.36	
B3	BLTASHL1016	BOLT,SHOULDER,1/4" X 0.25",3/8" THREAD LENGTH	2	\$1.05	\$2.68	
B4	NUTNYLK1026	NUT,NYLOCK,BLACK ZINC,5/16-18	1	\$1.8	\$3	
B5	IND1217B000	SUSPENSION,ANTI-TIP STRUT WELDMENT,JAZZY 1120,B-1200-017	1	\$11.55	\$29.45	
B6	DWG1200A350	SUSPENSION,PIVOT,SPRING,A-1200-035	1	\$3.15	\$8.03	
C1a — E2	FRMASMB5175	ANTI-TIP,ASSY,BRACKET,JAZZY1170/1420/1470, ATS, RIGHT, W/FORK/WHEEL/CAM	1	\$61.95	\$157.97	
C1b — E2	FRMASMB5176	ANTI-TIP,ASSY,BRACKET,JAZZY1170/1420/1470, ATS, LEFT, W/FORK/WHEEL/CAM	1	\$61.95	\$157.97	
C1a — C2	FRMASMB2604	ANTI-TIP,ASSY,BRACKET,CAM ADJUSTABLE,RIGHT	1	\$25.2	\$64.26	
C1b — C2	FRMASMB2602	ANTI-TIP,ASSY,BRACKET,ATS,CAM ADJUSTABLE,LEFT	1	\$25.2	\$64.26	
C1a	DWR1170D082	ANTI-TIP,ATS MOTOR,CAM ADJUSTABLE, RIGHT,D-1170-082	1	\$22.05	\$56.23	
C1b	DWR1170D083	ANTI-TIP,ATS MOTOR,CAM ADJUSTABLE, LEFT,D-1170-083	1	\$22.05	\$56.23	
C2	BSHFLNG1004	BUSHING,FLANGE,BRONZE,0.50" X 0.75" X 0.375"	2	\$1.05	\$2.68	
D1a — D8	FRMASMB2631	CAM ADJ PLATE,ANTI-TIP BRACKET,.3750" SHAFT,RIGHT	1	\$21	\$53.55	
D1b — D8	FRMASMB2630	CAM ADJ PLATE,ASSY,ANTI-TIP BRACKET,.3750" SHAFT,LEFT	1	\$21	\$53.55	
D1a	DWR1010C010	ANTI-TIP BRACKET WELDMENT,SLOTTED,W/3/8" BOLT,RIGHT	1	\$14.7	\$37.49	
D1b	DWR1010C011	ANTI-TIP BRACKET WELDMENT,SLOTTED,W/3/8" BOLT,LEFT	1	\$14.7	\$37.49	
D2	DWR1170A015	ADJUSTABLE CAM WELDMENT,A-1170-015	1	\$6.3	\$16.07	
D3	DWR1170A018	SPACER,BLACK,NYLON,0.375ID X 1.38OD X 0.313TH,A-1170-018	1	\$2.1	\$5.36	
D4	WASSTND1002	WASHER,FLAT,BLACK ZINC,0.3125" ID X 0.6875" OD X 0.0625" TH	1	\$1.05	\$2.68	
D5	NUTNYLK1026	NUT,NYLOCK,BLACK ZINC,5/16-18	1	\$1.8	\$3	
D6	NUTNYLK1032	NUT,NYLOCK,BLACK ZINC,5/16-24	1	\$1.05	\$2.68	
D7	WASETH1005	WASHER, EXTERNAL TOOTH,5/16" ID,LOCK	1	\$1.05	\$2.68	
D8	SCRASBH1030	SCREW,BHSCS,BLACK ZINC,5/16-24 X 1.00"	1	\$1.05	\$2.68	
E1 — E2	WHLASMB1334	WHEEL,ASSY,200MM X 50MM,W/BEARINGS,CO-MOLDED	1	\$17.85	\$45.52	
E1	BRGSLV1009	BEARING,SLEEVE,0.375"ID X 0.875"OD	2	N/A	N/A	
E2	WHLATIP1003	WHEEL,ANTI-TIP,200 X 50,FOAM FILLED	1	N/A	N/A	

## Notes :

For use on units equipped with a Power Elevating Synergy Seating with Tilt/Recline. Top-level assemblies will include components designated with corresponding lower-case letters. Parts without lower-case letters will be included in all top-level assemblies.

# VI. Articulating Beam Assembly — Flat-free

Double-sided casters replace single-sided casters. Please contact Pride Technical Service for more information.



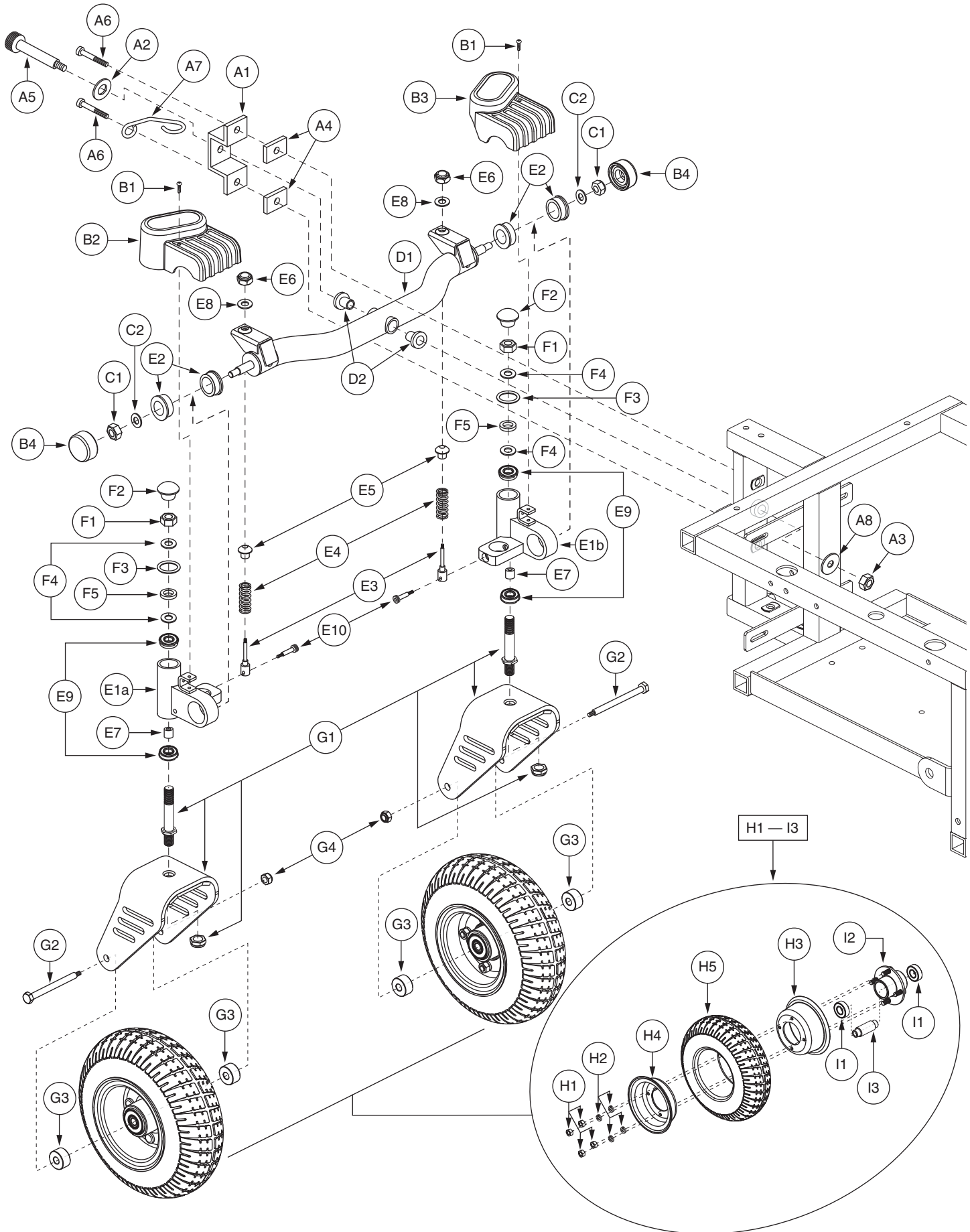
# VI. Articulating Beam Assembly — Flat-free

REF #	PART #	DESCRIPTION	QTY	Dealer \$	MSRP	11i
<b>A1 — I3</b>	<b>FRMASMB3497</b>	<b>ARTICULATING BEAM,ASSY,BENT,22"L,W/SUSPENSION FORKS &amp; 9" FLAT FREE WHEELS</b>	<b>1</b>	<b>\$290.85</b>	<b>\$741.67</b>	
A1	DWG1170C430	MOUNTING BRACKET,SUPPORT,ARTICULATING BEAM U SHAPED,C-1170-043	1	\$13.65	\$34.81	
A2	WASINDV1000	WASHER,ZINC,0.50" ID X 1.00" OD X 0.125" TH	1	\$1.05	\$2.68	
A3	NUTNYLK1006	NUT,NYLOCK,BLACK ZINC,3/8-16	1	\$1.05	\$2.68	
A4	DWR1400A001	MOUNTING BRACKET,ARTICULATING BEAM SUPPORT BRACKET,BLACK,1 1/2"W X 1"H X 1/4"THK,A-1400-001	2	\$2.1	\$5.36	
A5	BLTASHL1005	BOLT,SHOULDER,1/2" X 3.50"	1	\$1.05	\$2.68	
A6	SCRALNH1004	SCREW, SHCS,ZINC,3/8-16 X 2.00",GRADE 5	2	\$1.05	\$2.68	
A7	DWR1400B004	CABLE,LOOP BRACKET,B-1400-004	1	\$2.1	\$5.36	
A8	WASSTND1006	WASHER,FLAT,BLACK ZINC,3/8"ID X 3/4"OD X 1/16"TH	1	\$1.05	\$2.68	
<b>B1 — I3</b>	<b>FRMASMB5222</b>	<b>ARTICULATING BEAM,ASSY,BENT,22"L,W/SUSPENSION &amp; 9" FLAT FREE WHEELS, SINGLE BRAKE RELEASE-STYLE #3</b>	<b>1</b>	<b>\$271.95</b>	<b>\$693.47</b>	
B1	SCRPPTC1029	SCREW, PPH,BLACK,8-32 X 0.750",TYPE F, THREAD CUTTING	2	\$1.05	\$2.68	
B2	DWR1400D013	CAP,PLASTIC,ARTICULATING BEAM,LARGE CURVE,SUSPENSION CAP,RIGHT,D-1400-013	1	\$1.05	\$2.68	
B3	DWR1400D012	CAP,PLASTIC,ARTICULATING BEAM,LARGE CURVE,SUSPENSION CAP,LEFT,D-1400-012	1	\$1.05	\$2.68	
B4	DWR1122B018	END CAP,PLASTIC,ARTICULATING BEAM W/SUSPENSION,B-1122-018	2	\$1.05	\$2.68	
<b>C1 — E10</b>	<b>FRMASMB3175</b>	<b>ARTICULATING BEAM,ASSY,BENT,22"L</b>	<b>1</b>	<b>\$73.5</b>	<b>\$187.43</b>	
C1	NUTNYLK1006	NUT,NYLOCK,BLACK ZINC,3/8-16	2	\$1.05	\$2.68	
C2	WASNLYN1039	WASHER, NYLON,0.50" ID X 1.00" OD X 0.125" TH	2	\$1.05	\$2.68	
<b>D1 — D2</b>	<b>FRMASMB5467</b>	<b>ARTICULATING BEAM,ASSY,BENT,22"L,W/BUSHINGS,E-1122-018</b>	<b>1</b>	<b>\$63</b>	<b>\$160.65</b>	
D1	DWR1122D004	ARTICULATING BEAM,CURVED SUSPENSION CASTER WELDMENT,D-1122-004	1	\$54.6	\$139.23	
D2	BSHFLNG1003	BUSHING, FLANGE,BRONZE,0.50" X 0.75" X 0.75",A-1010-013	2	\$2.1	\$5.36	
<b>E1a — E10</b>	<b>FRMASMB3177</b>	<b>CASTER,ASSY,BEARING TUBE,2.63",W/SUSPENSION,RIGHT</b>	<b>1</b>	<b>\$55.65</b>	<b>\$141.91</b>	
<b>E1b — E10</b>	<b>FRMASMB3176</b>	<b>CASTER,ASSY,BEARING TUBE,2.63",W/SUSPENSION,LEFT</b>	<b>1</b>	<b>\$55.65</b>	<b>\$141.91</b>	
E1a	DWR1122C009	CASTER,TUBE WELDMENT,2.63",RIGHT,C-1122-009	1	\$45.15	\$115.13	
E1b	DWR1122C010	CASTER,TUBE WELDMENT,2.63",LEFT,C-1122-010	1	\$45.15	\$115.13	
E2	DWR1122A009	BUSHING,FLANGE,OIL IMPREGNATED BRONZE,0.50"ID X 1.125"OD X 0.370"TH X 1.50"FOD X 0.125"FTH,A-1122-009	2	\$1.05	\$2.68	
E3	DWR1122A015	SUSPENSION,STRUT WELDMENT,.2.750" LG, 5/16" SHAFT,A-1122-015	1	\$3.15	\$8.03	
E4	INDPART2082	SHOCK,BLACK,1.50" L X 0.875" OD	1	\$1.05	\$2.68	
E5	DWG1200A230	BALL PIVOT,SPRING ROD,A-1200-023	1	\$1.05	\$2.68	
E6	NUTNJAM1015	NUT,NYLOCK JAM,BLACK ZINC,5/16-18	1	\$1.05	\$2.68	
E7	DWG1170A040	SPACER,0.52"ID X 0.68"OD X 0.937"TH,BEARING THRUST	1	\$1.05	\$2.68	
E8	WASDAMP1000	WASHER,DAMPER,POLYURETHANE,0.330" ID X 0.90" OD X 0.130" TH,5/16",A-1010-012	1	\$1.05	\$2.68	
E9	BRGSLV1003	BEARING,RADIAL BALL,0.50" ID X 1.125" OD X 0.3125" TH,METAL SHIELD,R8ZZ,A-1010-014	2	\$1.05	\$2.68	
E10	BLTASHL1071	BOLT,SHOULDER,5/16" X 1.25"	1	\$1.05	\$2.68	
<b>*F1 — I3</b>	<b>FRMASMB5471</b>	<b>CASTER,ASSY,FORK,9",FLAT FREE CASTER, W/MOUNTING HARDWARE, RIGHT</b>	<b>1</b>	<b>\$88.68</b>	<b>\$226.13</b>	
<b>*F1 — I3</b>	<b>FRMASMB5470</b>	<b>CASTER,ASSY,FORK,9",FLAT FREE CASTER, W/MOUNTING HARDWARE, LEFT</b>	<b>1</b>	<b>\$88.68</b>	<b>\$226.13</b>	
<b>F1 — F5</b>	<b>HDWASMB1046</b>	<b>ANTI-FLUTTER KIT,ASSY,JAZZY CASTER</b>	<b>1</b>	<b>\$1.05</b>	<b>\$2.68</b>	
F1	NUTNYLK1010	NUT,NYLOCK,BLACK ZINC,1/2-20	1	\$1.05	\$2.68	
F2	PROECAP1029	END CAP,PLASTIC,1.25" DIA,FITS 11 GAUGE TUBE,RIBBED	1	\$1.05	\$2.68	
F3	HDWINDV1037	O-RING,NEOPRENE,10MM SHAFT DIA X 19.5MM OD X 1.78MM TH,B-1005-120	1	\$1.05	\$2.68	

The parts list is continued on the subsequent pages.

# VI. Articulating Beam Assembly — Flat-free

Double-sided casters replace single-sided casters. Please contact Pride Technical Service for more information.



## VI. Articulating Beam Assembly — Flat-free

The parts list is continued from the previous pages.

REF #	PART #	DESCRIPTION	QTY	Dealer \$	MSRP	11i
F4	WASSTND1051	WASHER,FLAT,0.50" ID X 1.0625" OD X 0.0625" TH	2	\$1.05	\$2.68	
F5	HDWINDV1038	ARBOR SHIM,STEEL,0.500"ID X 0.750"OD X 0.093"TH	1	\$1.05	\$2.68	
*G1 — I3	FRMASMB3496	FORK,ASSY,CASTER,DOUBLE SIDED,W/2.80/2.50-4,9" FLAT FREE WHEEL,RIGHT	1	\$88.68	\$226.13	
*G1 — I3	FRMASMB3495	FORK,ASSY,CASTER,DOUBLE SIDED,W/2.80/2.50-4,9" FLAT FREE WHEEL,LEFT	1	\$88.68	\$226.13	
*G1	FRMASMB12736	CASTER,ASSY,FORK,STEEL,DOUBLE ASSEMBLY,1170 AND 1420 POWERCHAIR,C-1170-073	1	\$15.88	\$40.48	
G2	SCRHHCS1273	SCREW,HHCS,BLACK ZINC,3/8-16 X 4.50",GRADE 10.9	1	\$1.05	\$2.68	
G3	DWR1500A021	SPACER,STEEL,0.377"ID X 1.00"OD X 0.52"TH,A-1500-021	2	\$2.1	\$5.36	
G4	NUTNYLK1006	NUT,NYLOCK,BLACK ZINC,3/8-16	1	\$1.05	\$2.68	
H1 — I3	WHLASMB1789	WHEEL,ASSY,FLAT FREE,9",2.80/2.50-4,AQUA TREAD PATTERN,D-1203-013	1	\$66.15	\$168.68	
H1	NUTSTD1001	NUT,5/16-24	4	\$1.05	\$2.68	
H2	WASLOCK1031	WASHER,LOCK,ZINC,0.3125" ID X 0.50" OD X 0.0937" TH	4	\$1.05	\$2.68	
H3	WHLRIMS1020	WHEEL,RIM,BLACK,3.95"DIA X 1.65 DEPTH,REAR, INNER	1	\$6.3	\$16.07	
H4	WHLRIMS1015	WHEEL,RIM,BLACK,5",FRONT, EXTERIOR W/VALVE STEM HOLE, XL	1	\$13.65	\$34.81	
H5	TIRSOLI1034	TIRE,FLAT FREE,2.80 X 2.50 PRIMO DURATRAP	1	\$36.75	\$93.71	
I1 — I3	WHLASMB1787	WHEEL,ASSY,HUB,2.75"BC,W/BEARINGS & SPACER,B-1203-005	1	\$11.55	\$29.45	
I1	BRGBTRA1007	BEARING, BALL,0.625"ID X 1.375"OD X 0.4331",DOUBLE SEAL W/SNAP RING	2	\$1.05	\$2.68	
I2	DWR1000C357	WHEEL,HUB,2.75"BC,W/STUDS,C-1000-357	1	\$9.45	\$24.1	
I3	DWR1500B056	SPACER,STEEL,9" CASTER BEARING,0.377" ID X 0.623" SHOULDER DIA,B-1500-056	1	\$1.05	\$2.68	

### Notes :

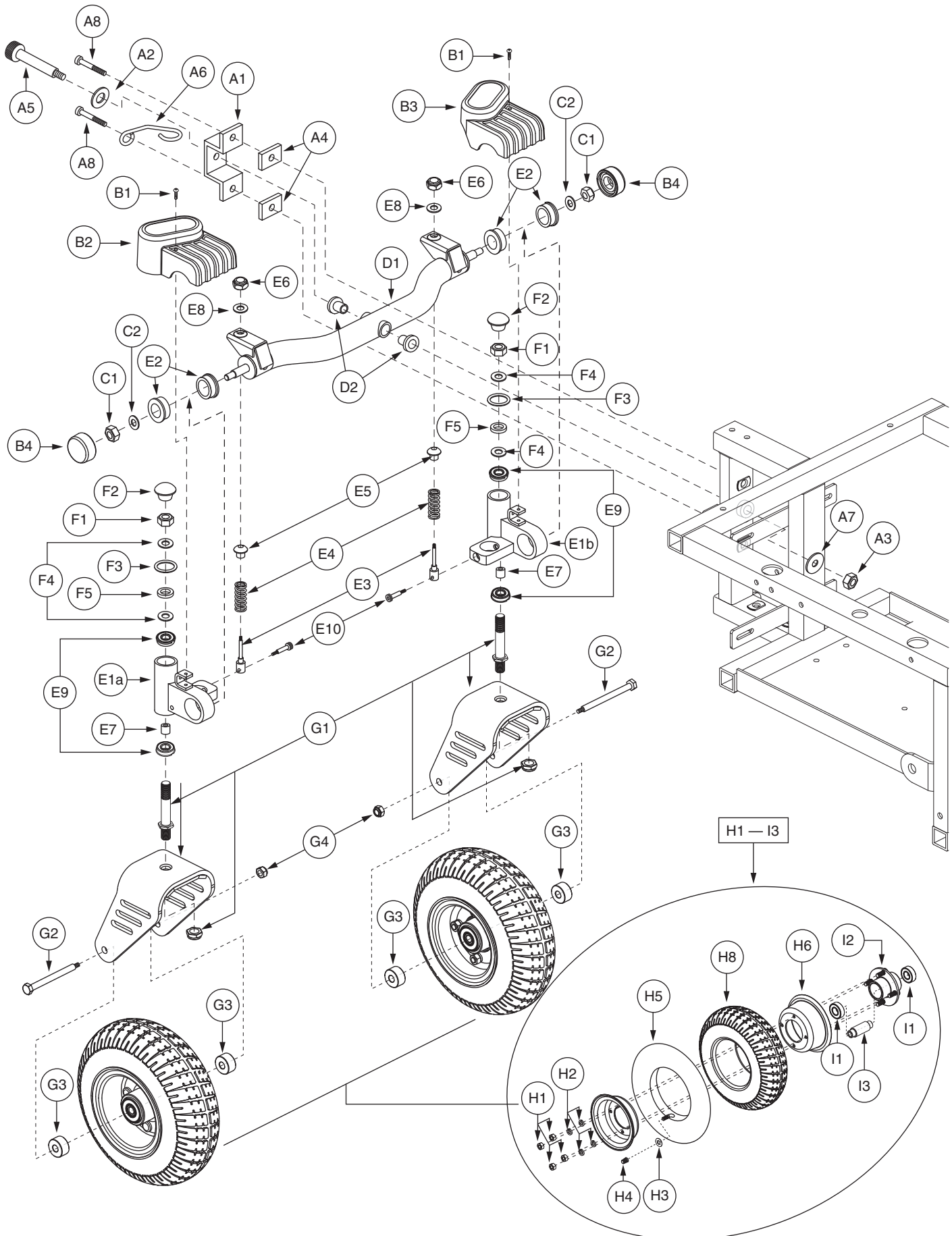
Double-sided casters replace single-sided casters. Please contact Pride Technical Service for more information. Top-level assemblies will include components designated with corresponding lower-case letters. Parts without lower-case letters will be included in all top-level assemblies.

- \*F1 — I3 Both assemblies contain identical parts. There are right and left sides for assembly purposes.
- \*G1 — I3 Both assemblies contain identical parts. There are right and left sides for assembly purposes.
- \*G1 The item is a quantity of one but is illustrated as separate parts for assembly purposes.



# VI. Articulating Beam Assembly — Pneumatic

Double-sided casters replace single-sided casters. Please contact Pride Technical Service for more information.



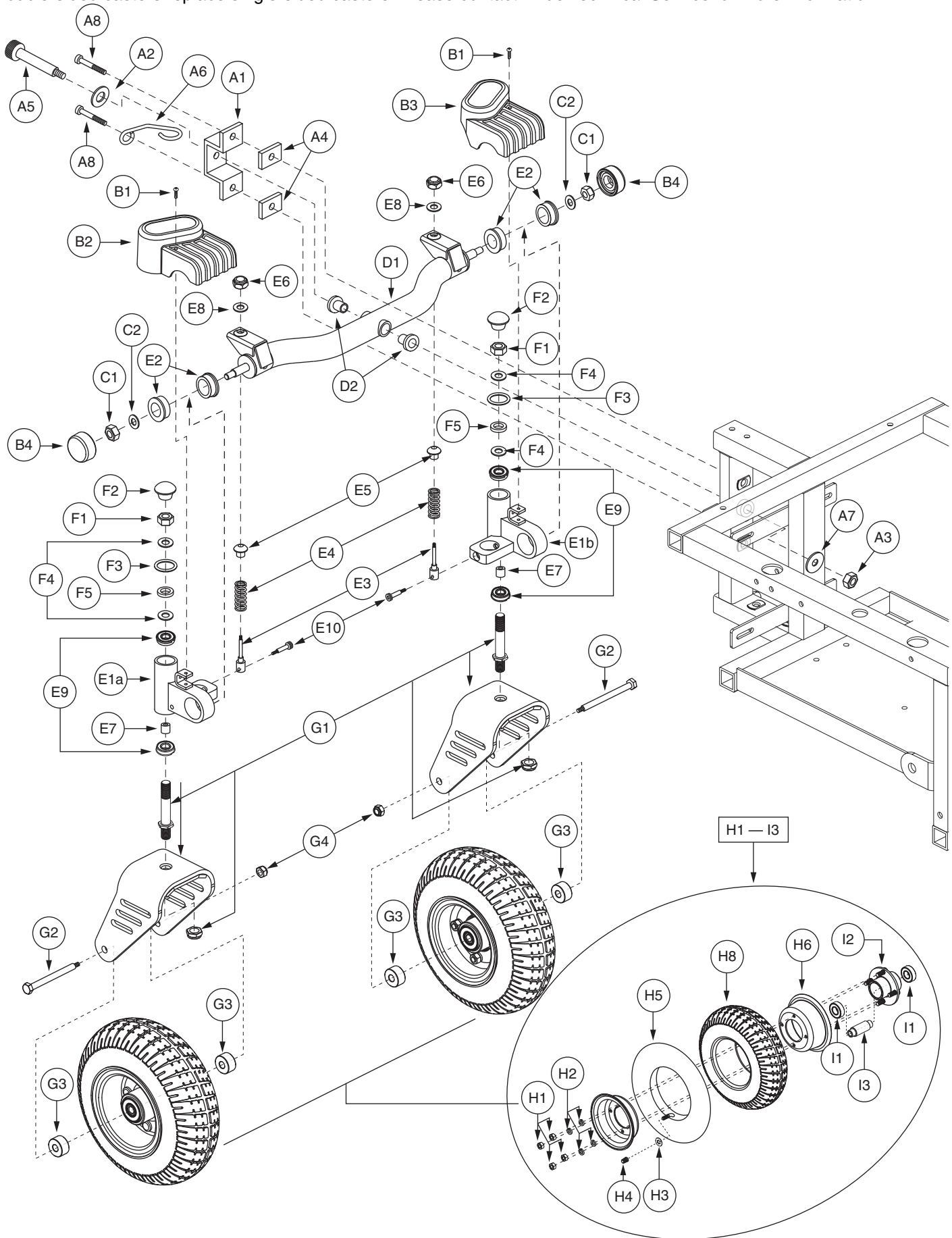
# VI. Articulating Beam Assembly — Pneumatic

REF #	PART #	DESCRIPTION	QTY	Dealer \$	MSRP	11i
<b>A1 — I3</b>	<b>FRMASMB3174</b>	<b>ARTICULATING BEAM,ASSY,BENT,22"L,W/SUSPENSION &amp; 9" PNEU WHEELS</b>	<b>1</b>	<b>\$326.55</b>	<b>\$832.7</b>	
A1	DWG1170C430	MOUNTING BRACKET,SUPPORT,ARTICULATING BEAM U SHAPED,C-1170-043	1	\$13.65	\$34.81	
A2	WASINDV1000	WASHER,ZINC,0.50" ID X 1.00" OD X 0.125" TH	1	\$1.05	\$2.68	
A3	NUTNYLK1006	NUT,NYLOCK,BLACK ZINC,3/8-16	1	\$1.05	\$2.68	
A4	DWR1400A001	MOUNTING BRACKET,ARTICULATING BEAM SUPPORT BRACKET,BLACK,1 1/2"W X 1"H X 1/4"THK,A-1400-001	2	\$2.1	\$5.36	
A5	BLTASHL1005	BOLT,SHOULDER,1/2" X 3.50"	1	\$1.05	\$2.68	
A6	DWR1400B004	CABLE,LOOP BRACKET,B-1400-004	1	\$2.1	\$5.36	
A7	WASSTND1006	WASHER,FLAT,BLACK ZINC,3/8"ID X 3/4"OD X 1/16"TH	1	\$1.05	\$2.68	
A8	SCRALNH1004	SCREW, SHCS,ZINC,3/8-16 X 2.00",GRADE 5	2	\$1.05	\$2.68	
<b>B1 — I3</b>	<b>FRMASMB5221</b>	<b>ARTICULATING BEAM,ASSY,BENT,22"L,W/SUSPENSION &amp; 9" PNEU WHEELS, SINGLE BRAKE RELEASE-STYLE #3</b>	<b>1</b>	<b>\$234.15</b>	<b>\$597.08</b>	
B1	SCRPPTC1029	SCREW, PPH,BLACK,8-32 X 0.750",TYPE F, THREAD CUTTING	2	\$1.05	\$2.68	
B2	DWR1400D013	CAP,PLASTIC,ARTICULATING BEAM,LARGE CURVE,SUSPENSION CAP,RIGHT,D-1400-013	1	\$1.05	\$2.68	
B3	DWR1400D012	CAP,PLASTIC,ARTICULATING BEAM,LARGE CURVE,SUSPENSION CAP,LEFT,D-1400-012	1	\$1.05	\$2.68	
B4	DWR1122B018	END CAP,PLASTIC,ARTICULATING BEAM W/SUSPENSION,B-1122-018	2	\$1.05	\$2.68	
<b>C1 — E10</b>	<b>FRMASMB3175</b>	<b>ARTICULATING BEAM,ASSY,BENT,22"L</b>	<b>1</b>	<b>\$73.5</b>	<b>\$187.43</b>	
C1	NUTNYLK1006	NUT,NYLOCK,BLACK ZINC,3/8-16	2	\$1.05	\$2.68	
C2	WASNLYN1039	WASHER, NYLON,0.50" ID X 1.00" OD X 0.125" TH	2	\$1.05	\$2.68	
<b>D1 — D2</b>	<b>FRMASMB5467</b>	<b>ARTICULATING BEAM,ASSY,BENT,22"L,W/BUSHINGS,E-1122-018</b>	<b>1</b>	<b>\$63</b>	<b>\$160.65</b>	
D1	DWR1122D004	ARTICULATING BEAM,CURVED SUSPENSION CASTER WELDMENT,D-1122-004	1	\$54.6	\$139.23	
D2	BSHFLNG1003	BUSHING, FLANGE,BRONZE,0.50" X 0.75" X 0.75",A-1010-013	2	\$2.1	\$5.36	
<b>E1a — E10</b>	<b>FRMASMB3177</b>	<b>CASTER,ASSY,BEARING TUBE,2.63",W/SUSPENSION,RIGHT</b>	<b>1</b>	<b>\$55.65</b>	<b>\$141.91</b>	
<b>E1b — E10</b>	<b>FRMASMB3176</b>	<b>CASTER,ASSY,BEARING TUBE,2.63",W/SUSPENSION,LEFT</b>	<b>1</b>	<b>\$55.65</b>	<b>\$141.91</b>	
E1a	DWR1122C009	CASTER,TUBE WELDMENT,2.63",RIGHT,C-1122-009	1	\$45.15	\$115.13	
E1b	DWR1122C010	CASTER,TUBE WELDMENT,2.63",LEFT,C-1122-010	1	\$45.15	\$115.13	
E2	DWR1122A009	BUSHING,FLANGE,OIL IMPREGNATED BRONZE,0.50"ID X 1.125"OD X 0.370"TH X 1.50"FOD X 0.125"FTH,A-1122-009	2	\$1.05	\$2.68	
E3	DWR1122A015	SUSPENSION,STRUT WELDMENT,.2.750" LG, 5/16" SHAFT,A-1122-015	1	\$3.15	\$8.03	
E4	INDPART2082	SHOCK,BLACK,1.50" L X 0.875" OD	1	\$1.05	\$2.68	
E5	DWG1200A230	BALL PIVOT,SPRING ROD,A-1200-023	1	\$1.05	\$2.68	
E6	NUTNJAM1015	NUT,NYLOCK JAM,BLACK ZINC,5/16-18	1	\$1.05	\$2.68	
E7	DWG1170A040	SPACER,0.52"ID X 0.68"OD X 0.937"TH,BEARING THRUST	1	\$1.05	\$2.68	
E8	WASDAMP1000	WASHER,DAMPER,POLYURETHANE,0.330" ID X 0.90" OD X 0.130" TH,5/16",A-1010-012	1	\$1.05	\$2.68	
E9	BRGSLV1003	BEARING,RADIAL BALL,0.50" ID X 1.125" OD X 0.3125" TH,METAL SHIELD,R8ZZ,A-1010-014	2	\$1.05	\$2.68	
E10	BLTASHL1071	BOLT,SHOULDER,5/16" X 1.25"	1	\$1.05	\$2.68	
<b>*F1 — I3</b>	<b>FRMASMB5469</b>	<b>CASTER,ASSY,FORK,9",PNEUMATIC CASTER, W/MOUNTING HARDWARE, RIGHT</b>	<b>1</b>	<b>\$69.3</b>	<b>\$176.72</b>	
<b>*F1 — I3</b>	<b>FRMASMB5468</b>	<b>CASTER,ASSY,FORK,9",PNEUMATIC CASTER, W/MOUNTING HARDWARE, LEFT</b>	<b>1</b>	<b>\$69.3</b>	<b>\$176.72</b>	
<b>F1 — F5</b>	<b>HDWASMB1046</b>	<b>ANTI-FLUTTER KIT,ASSY,JAZZY CASTER</b>	<b>1</b>	<b>\$1.05</b>	<b>\$2.68</b>	
F1	NUTNYLK1010	NUT,NYLOCK,BLACK ZINC,1/2-20	1	\$1.05	\$2.68	
F2	PROECAP1029	END CAP,PLASTIC,1.25" DIA,FITS 11 GAUGE TUBE,RIBBED	1	\$1.05	\$2.68	
F3	HDWINDV1037	O-RING,NEOPRENE,10MM SHAFT DIA X 19.5MM OD X 1.78MM TH,B-1005-120	1	\$1.05	\$2.68	

The parts list is continued on the subsequent pages.

# VI. Articulating Beam Assembly — Pneumatic

Double-sided casters replace single-sided casters. Please contact Pride Technical Service for more information.





# VI. Articulating Beam Assembly — Pneumatic

The parts list is continued from the previous pages.

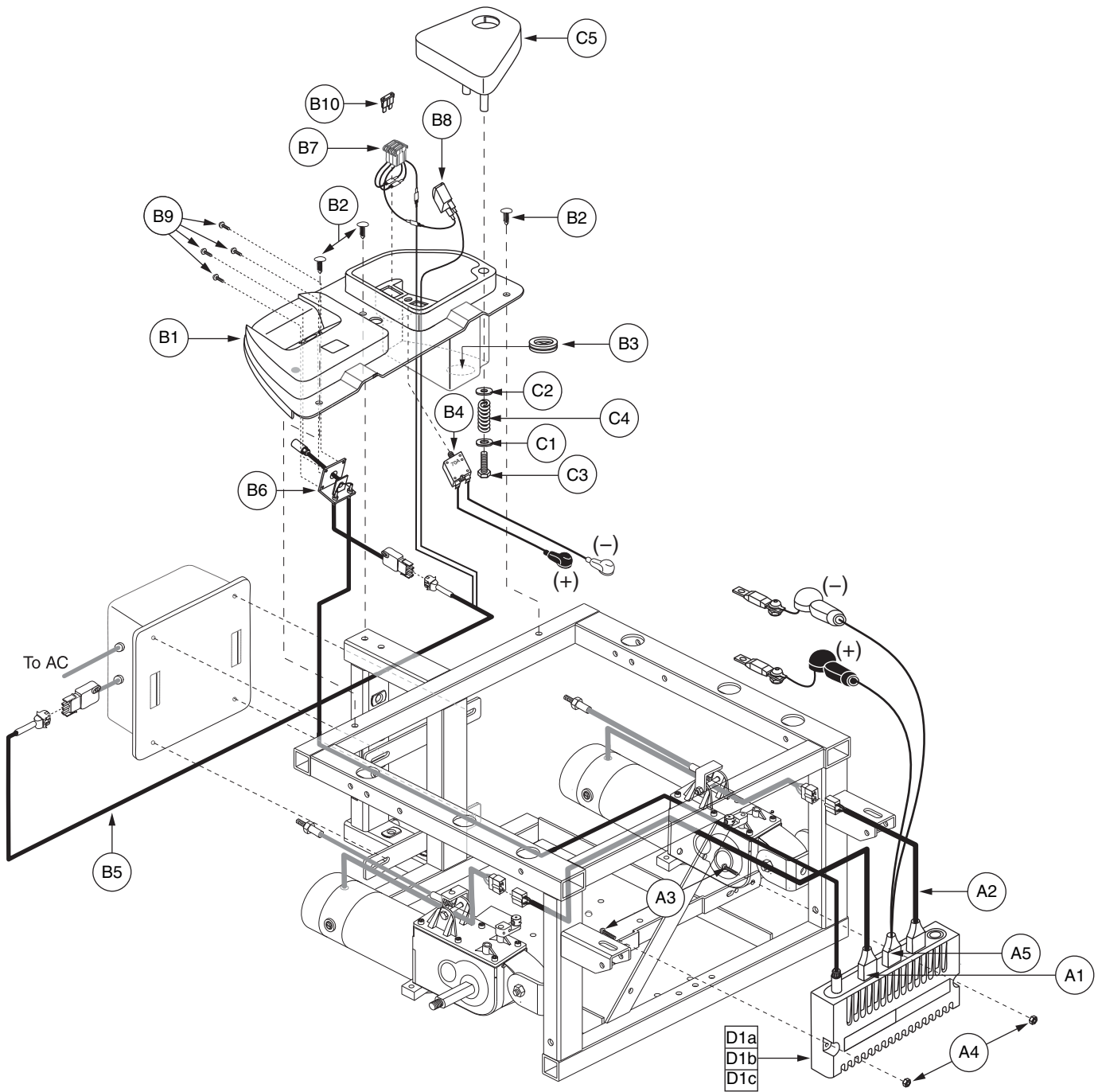
REF #	PART #	DESCRIPTION	QTY	Dealer \$	MSRP	11i
F4	WASSTND1051	WASHER,FLAT,0.50" ID X 1.0625" OD X 0.0625" TH	2	\$1.05	\$2.68	
F5	HDWINDV1038	ARBOR SHIM,STEEL,0.500"ID X 0.750"OD X 0.093"TH	1	\$1.05	\$2.68	
<b>*G1 — I3</b>	<b>FRMASMB3179</b>	<b>FORK,ASSY,CASTER,DOUBLE SIDED,W/9" PNEUMATIC WHEEL,RIGHT</b>	<b>1</b>	<b>\$70.35</b>	<b>\$179.39</b>	
<b>*G1 — I3</b>	<b>FRMASMB3178</b>	<b>FORK,ASSY,CASTER,DOUBLE SIDED,W/9" PNEUMATIC WHEEL,LEFT</b>	<b>1</b>	<b>\$70.35</b>	<b>\$179.39</b>	
*G1	FRMASMB12736	CASTER,ASSY,FORK,STEEL,DOUBLE ASSEMBLY,1170 AND 1420 POWERCHAIR,C-1170-073	1	\$15.88	\$40.48	
G2	SCRHHCS1273	SCREW,HHCS,BLACK ZINC,3/8-16 X 4.50",GRADE 10.9	1	\$1.05	\$2.68	
G3	DWR1500A021	SPACER,STEEL,0.377"ID X 1.00"OD X 0.52"TH,A-1500-021	2	\$2.1	\$5.36	
G4	NUTNYLK1006	NUT,NYLOCK,BLACK ZINC,3/8-16	1	\$1.05	\$2.68	
<b>H1 — I3</b>	<b>WHLASMB1788</b>	<b>WHEEL,ASSY,PNEUMATIC,9",2.80/2.50-4,AQUA TREAD PATTERN,D-1203-012</b>	<b>1</b>	<b>\$45.36</b>	<b>\$115.67</b>	
H1	NUTSTD1001	NUT,5/16-24	4	\$1.05	\$2.68	
H2	WASLOCK1031	WASHER,LOCK,ZINC,0.3125" ID X 0.50" OD X 0.0937" TH	4	\$1.05	\$2.68	
H3	DWR7700A010	SLIP COVER,VALVE STEM,35PSI,2.4 BAR,MAX RATING,A-7700-010	1	\$1.05	\$2.68	
H4	PLSINDV1003	CAP,BLACK,VALVE	1	\$1.05	\$2.68	
H5	TUBSTND1011	TUBE,2.80/2.50-4,ITM2504-11 W/VALVE CAP,(GALLOP: Z421785)	1	\$6.3	\$16.07	
H6	WHLRIMS1020	WHEEL,RIM,BLACK,3.95"DIAM X 1.65 DEPTH,REAR, INNER	1	\$6.3	\$16.07	
H7	WHLRIMS1015	WHEEL,RIM,BLACK,5",FRONT, EXTERIOR W/VALVE STEM HOLE, XL	1	\$13.65	\$34.81	
H8	TIRPNEU1031	TIRE,PNEUMATIC,2.80/2.50-4",AQUATREAD,GRAY,C-179N-1	1	\$7.35	\$18.74	
<b>I1 — I3</b>	<b>WHLASMB1787</b>	<b>WHEEL,ASSY,HUB,2.75"BC,W/BEARINGS &amp; SPACER,B-1203-005</b>	<b>1</b>	<b>\$11.55</b>	<b>\$29.45</b>	
I1	BRGBTRA1007	BEARING, BALL,0.625"ID X 1.375"OD X 0.4331",DOUBLE SEAL W/SNAP RING	2	\$1.05	\$2.68	
I2	DWR1000C357	WHEEL,HUB,2.75"BC,W/STUDS,C-1000-357	1	\$9.45	\$24.1	
I3	DWR1500B056	SPACER,STEEL,9" CASTER BEARING,0.377" ID X 0.623" SHOULDER DIA,B-1500-056	1	\$1.05	\$2.68	

### Notes :

Double-sided casters replace single-sided casters. Please contact Pride Technical Service for more information. Top-level assemblies will include components designated with corresponding lower-case letters. Parts without lower-case letters will be included in all top-level assemblies.

- \*F1 — I3** Both assemblies contain identical parts. There are right and left sides for assembly purposes.
- \*G1 — I3** Both assemblies contain identical parts. There are right and left sides for assembly purposes.
- \*G1** The item is a quantity of one but is illustrated as separate parts for assembly purposes.

# VII. Utility Tray Assembly — Remote Plus, Onboard



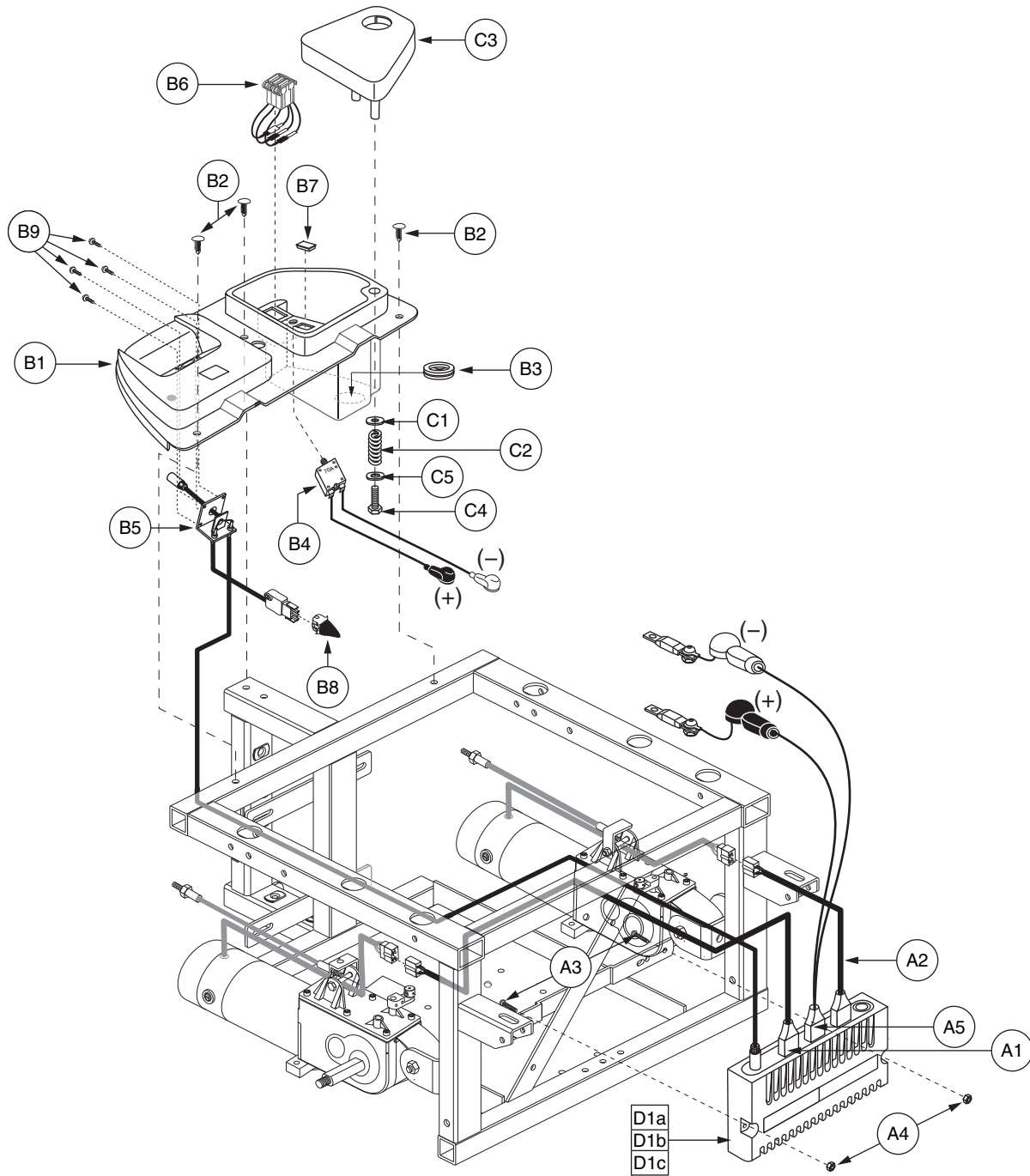
## VII. Utility Tray Assembly — Remote Plus, Onboard

REF #	PART #	DESCRIPTION	QTY	Dealer \$	MSRP	11i
A1 — D1a	ELEASMB6326	ELECTRONIC,ASSY,REMOTE PLUS,SWIVEL LID,HIGH SPEED MOTORS	1	\$755.34	\$1926.12	
A1 — D1b	ELEASMB6327	ELECTRONIC,ASSY,REMOTE PLUS,SWIVEL LID,HIGH TORQUE MOTORS	1	\$755.34	\$1926.12	
A1 — D1c	ELEASMB6336	ELECTRONIC,ASSY,REMOTE PLUS(PROFILED),SWIVEL LID	1	\$755.34	\$1926.12	
A1	HARUSHD2154	ELECTRONIC,HARNESS,REMOTE PLUS,MOTOR CONT,RIGHT,H-1200-100	1	\$24.15	\$61.58	
A2	HARUSHD2153	ELECTRONIC,HARNESS,REMOTE PLUS,MOTOR CONT,LEFT,H-1200-099	1	\$24.15	\$61.58	
A3	SCRASBH1027	SCREW,BHSCS,BLACK ZINC,10-32 X 0.50"	2	\$1.05	\$2.68	
A4	NUTNYLK1001	NUT,NYLOCK,BLACK ZINC,10-32	2	\$1.05	\$2.68	
A5	ELEASMB3234	ELECTRONIC,ASSY,BATTERY CABLE,W/125A/32V FUSEABLE LINK,QUICK DISCONNECT,REMOTE PLUS,H-1400-002	1	\$21	\$53.55	
B1 — C5	PLSASMB1060	ELECTRONIC,ASSY,REMOTE PLUS UTILITY TRAY,SWIVEL LID,RIGHT	1	\$152.64	\$389.24	
B1	PLSTRAY1026	ELECTRONIC,UTILITY TRAY,PLASTIC,SWIVEL LID,E-1400-001	1	\$6.3	\$16.07	
B2	PLSXTRE1000	RATCHET FASTENER,BLACK,NYLON,M8 HOLE SIZE X 15MM L	3	\$1.05	\$2.68	
B3	GRMRUB1008	GROMMET,RUBBER,1.125"ID X 1.875"OD,W/ FLAPS	1	\$1.05	\$2.68	
B4	HARUSHD2128	ELECTRONIC,HARNESS,70AMP,JAZZY,CIRCUIT BREAKER WITH WIRES,BOOTS,H-1170-002	1	\$31.1	\$79.3	
B5	HARUSHD2150	ELECTRONIC,HARNESS,CHARGER,EXTERNAL FUSE READY,H-1420-001	1	\$7.35	\$18.74	
B6	DWR1010H051	ELECTRONIC,HARNESS,POWER INTERFACE/CHARGER CABLE,REMOTE PLUS, RIGHT,H-1010-051	1	\$88.96	\$226.84	
B7	HARUSHD2152	ELECTRONIC,HARNESS,7.5 AMP,THREE FUSE HOLDER,H-1420-003	1	\$12.3	\$31.36	
B8	ELEMETR1003	ELECTRONIC,AMMETER,0-6	1	\$7.35	\$18.74	
B9	SCRPPH1032	SCREW,PPH-THREAD CUTTING,BLACK ZINC,6-32 X 0.375",TYPE F	4	\$1.05	\$2.68	
B10	ELEFUSE1010	FUSE,ATO,7.5AMP	1	\$1.05	\$2.68	
*B11	PLSTIE1004	TIE WRAP,BLACK,8"	5	\$1.05	\$2.68	
C1 — C5	PLSASMB1065	ELECTRONIC,ASSY,SWIVEL LID	1	\$7.35	\$18.74	
C1	WASINDV1000	WASHER,ZINC,0.50" ID X 1.00" OD X 0.125" TH	1	\$1.05	\$2.68	
C2	WASNYLN1018	WASHER,NYLON,0.500" ID X 1.125" OD X 0.0625" TH	1	\$1.05	\$2.68	
C3	SCRHHCS1529	SCREW,HHCS,ZINC,3/8-16 X 1.00",THREAD CUTTING	1	\$1.05	\$2.68	
C4	SPGRAW1036	SPRING,RAW, 1400 TRAY COVER	1	\$1.05	\$2.68	
C5	PLSINDV1087	TRAY, LID,SWIVEL	1	\$2.1	\$5.36	
D1a	ELEASMB5689	CONTROLLER,REMOTE PLUS,ASSY,80 AMP,JAZZY1400 SERIES,W/HIGH SPEED PROGRAM	1	\$529.2	\$1349.46	
D1b	ELEASMB5690	CONTROLLER,REMOTE PLUS,ASSY,80 AMP,JAZZY1400 SERIES,W/HIGH TORQUE PROGRAM	1	\$529.2	\$1349.46	
D1c	ELEASMB5045	CONTROLLER,REMOTE PLUS(PROFILED),ASSY,80 AMP,JAZZY SERIES PROGRAM	1	\$529.2	\$1349.46	

### Notes :

Top-level assemblies will include components designated with corresponding lower-case letters. Parts without lower-case letters will be included in all top-level assemblies.

\*B11 Not shown.



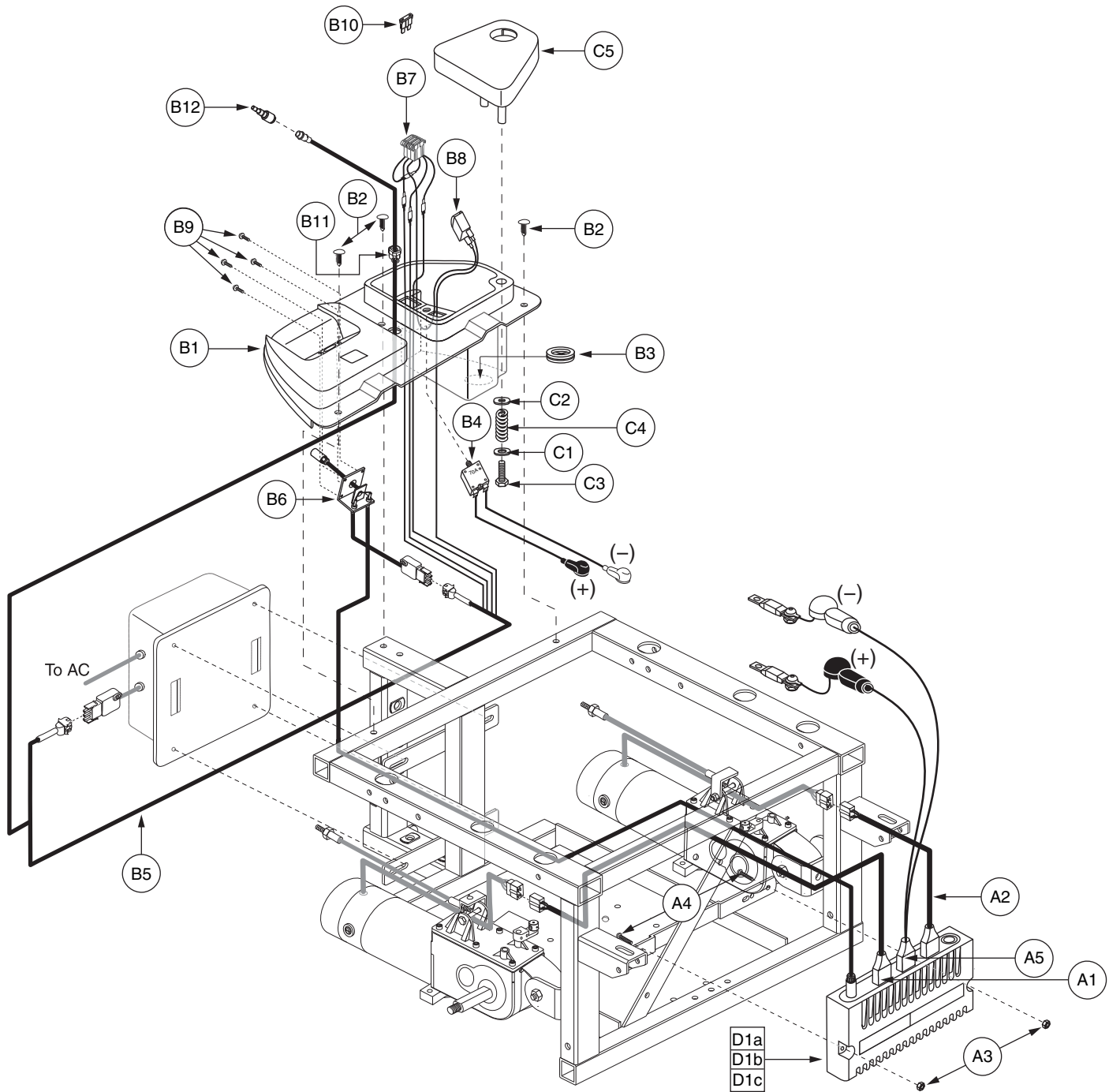
## VII. Utility Tray Assembly — Remote Plus, Off-board

REF #	PART #	DESCRIPTION	QTY	Dealer \$	MSRP	11i
A1 — D1a	ELEASMB6322	ELECTRONIC,ASSY,REMOTE PLUS,SWIVEL LID,OFFBOARD CHARGER,HIGH SPEED MOTORS	1	\$745.29	\$1900.49	
A1 — D1b	ELEASMB6323	ELECTRONIC,ASSY,REMOTE PLUS,SWIVEL LID,OFFBOARD CHARGER,HIGH TORQUE MOTORS	1	\$745.29	\$1900.49	
A1 — D1c	ELEASMB6330	ELECTRONIC,ASSY,REMOTE PLUS(PROFILED),SWIVEL LID,OFFBOARD CHARGER	1	\$745.29	\$1900.49	
A1	HARUSHD2154	ELECTRONIC,HARNESS,REMOTE PLUS,MOTOR CONT,RIGHT,H-1200-100	1	\$24.15	\$61.58	
A2	HARUSHD2153	ELECTRONIC,HARNESS,REMOTE PLUS,MOTOR CONT,LEFT,H-1200-099	1	\$24.15	\$61.58	
A3	SCRASBH1027	SCREW,BHSCS,BLACK ZINC,10-32 X 0.50"	2	\$1.05	\$2.68	
A4	NUTNYLK1001	NUT,NYLOCK,BLACK ZINC,10-32	2	\$1.05	\$2.68	
A5	ELEASMB3234	ELECTRONIC,ASSY,BATTERY CABLE,W/125A/32V FUSEABLE LINK,QUICK DISCONNECT,REMOTE PLUS,H-1400-002	1	\$21	\$53.55	
B1 — C5	PLSASMB1558	ELECTRONIC,REMOTE PLUS TRAY,SWIVEL LID, OFFBOARD CHARGER	1	\$142.59	\$363.6	
B1	PLSTRAY1026	ELECTRONIC,UTILITY TRAY,PLASTIC,SWIVEL LID,E-1400-001	1	\$6.3	\$16.07	
B2	PLSXTRE1000	RATCHET FASTENER,BLACK,NYLON,M8 HOLE SIZE X 15MM L	3	\$1.05	\$2.68	
B3	GRMRUB1008	GROMMET,RUBBER,1.125"ID X 1.875"OD,W/ FLAPS	1	\$1.05	\$2.68	
B4	HARUSHD2128	ELECTRONIC,HARNESS,70AMP,JAZZY,CIRCUIT BREAKER WITH WIRES,BOOTS,H-1170-002	1	\$31.1	\$79.3	
B5	DWR1010H051	ELECTRONIC,HARNESS,POWER INTERFACE/CHARGER CABLE, REMOTE PLUS, RIGHT,H-1010-051	1	\$88.96	\$226.84	
B6	HARUSHD2152	ELECTRONIC,HARNESS,7.5 AMP,THREE FUSE HOLDER,H-1420-003	1	\$12.3	\$31.36	
B7	INDPART2046	PLUG,PLASTIC, SNAP-IN, AMP METER PLUG ADAPTER	1	\$1.05	\$2.68	
B8	HARUSHD2080	ELECTRONIC,HARNESS,3 PIN,RUN PLUG,FEMALE,H-1200-071	1	\$1.05	\$2.68	
B9	SCRPPH1032	SCREW,PPH-THREAD CUTTING,BLACK ZINC,6-32 X 0.375",TYPE F	4	\$1.05	\$2.68	
*B10	PLSTIE1004	TIE WRAP,BLACK,8"	5	\$1.05	\$2.68	
C1 — C5	PLSASMB1065	ELECTRONIC,ASSY,SWIVEL LID	1	\$7.35	\$18.74	
C1	WASNLYN1018	WASHER,NYLON,0.500" ID X 1.125" OD X 0.0625" TH	1	\$1.05	\$2.68	
C2	SPGRAW1036	SPRING,RAW, 1400 TRAY COVER	1	\$1.05	\$2.68	
C3	PLSINDV1087	TRAY, LID,SWIVEL	1	\$2.1	\$5.36	
C4	SCRHHCS1529	SCREW,HHCS,ZINC,3/8-16 X 1.00",THREAD CUTTING	1	\$1.05	\$2.68	
C5	WASINDV1000	WASHER,ZINC,0.50" ID X 1.00" OD X 0.125" TH	1	\$1.05	\$2.68	
D1a	ELEASMB5689	CONTROLLER,REMOTE PLUS,ASSY,80 AMP,JAZZY1400 SERIES,W/HIGH SPEED PROGRAM	1	\$529.2	\$1349.46	
D1b	ELEASMB5690	CONTROLLER,REMOTE PLUS,ASSY,80 AMP,JAZZY1400 SERIES,W/HIGH TORQUE PROGRAM	1	\$529.2	\$1349.46	
D1c	ELEASMB5045	CONTROLLER,REMOTE PLUS(PROFILED),ASSY,80 AMP,JAZZY SERIES PROGRAM	1	\$529.2	\$1349.46	

### Notes :

Top-level assemblies will include components designated with corresponding lower-case letters. Parts without lower-case letters will be included in all top-level assemblies.

\*B10 Not shown.



# VII. Utility Tray Assembly — Remote Plus, Quantum Ready, Onboard

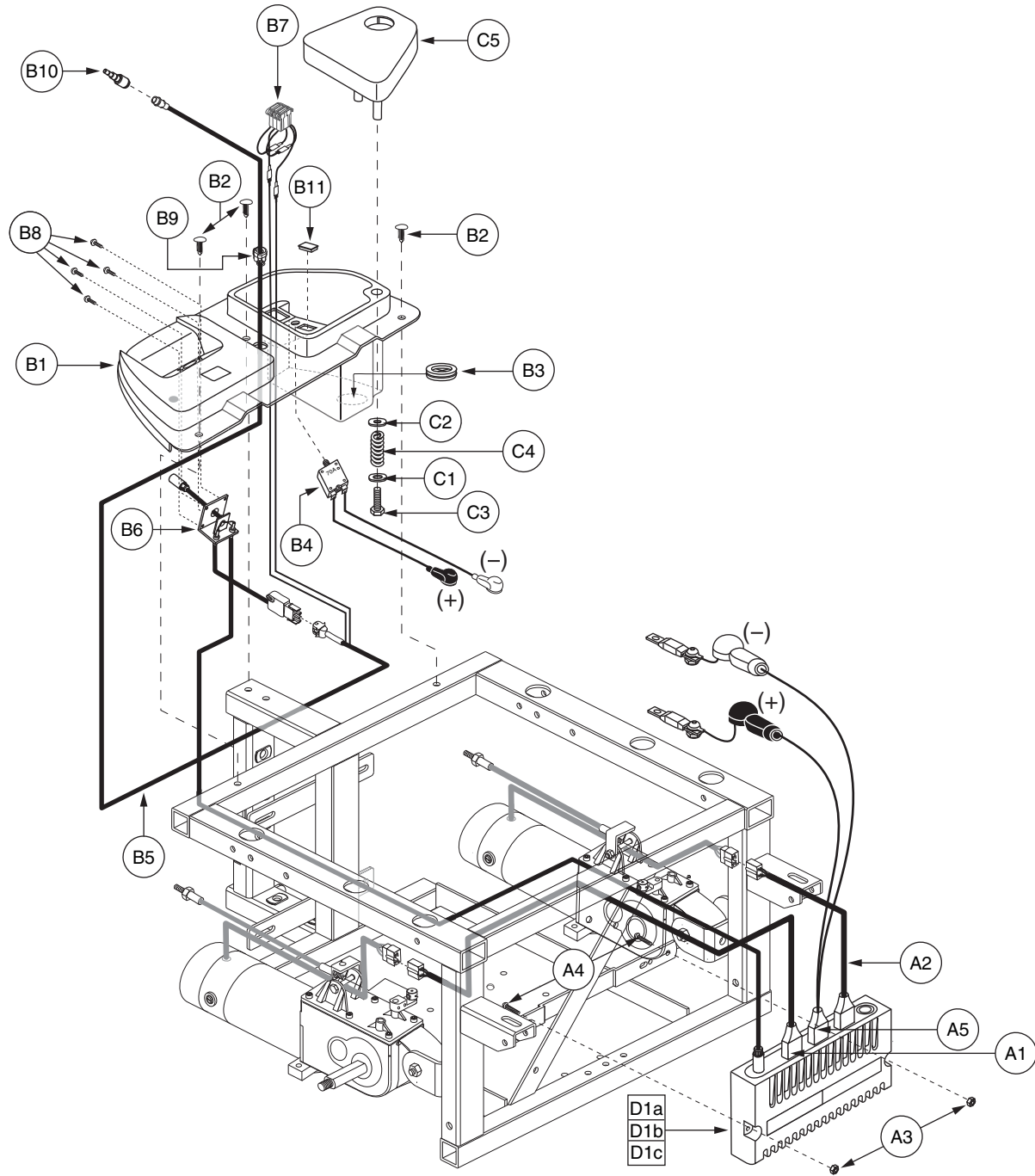
REF #	PART #	DESCRIPTION	QTY	Dealer \$	MSRP	11i
A1 — D1a	ELEASMB6328	ELECTRONIC,ASSY,REMOTE PLUS,SWIVEL LID,HIGH SPEED MOTORS,QUANTUM	1	N/A	N/A	
A1 — D1b	ELEASMB6329	ELECTRONIC,ASSY,REMOTE PLUS,SWIVEL LID,HIGH TORQUE MOTORS,QUANTUM	1	N/A	N/A	
A1 — D1c	ELEASMB6337	ELECTRONIC,ASSY,REMOTE PLUS(PROFILED),SWIVEL LID,QUANTUM	1	N/A	N/A	
A1	HARUSHD2154	ELECTRONIC,HARNESS,REMOTE PLUS,MOTOR CONT,RIGHT,H-1200-100	1	\$24.15	\$61.58	
A2	HARUSHD2153	ELECTRONIC,HARNESS,REMOTE PLUS,MOTOR CONT,LEFT,H-1200-099	1	\$24.15	\$61.58	
A3	NUTNYLK1001	NUT,NYLOCK,BLACK ZINC,10-32	2	\$1.05	\$2.68	
A4	SCRASBH1027	SCREW,BHSCS,BLACK ZINC,10-32 X 0.50"	2	\$1.05	\$2.68	
A5	ELEASMB3234	ELECTRONIC,ASSY,BATTERY CABLE,W/125A/32V FUSEABLE LINK,QUICK DISCONNECT,REMOTE PLUS,H-1400-002	1	\$21	\$53.55	
<b>B1 — C5</b>	<b>PLSASMB1917</b>	<b>ELECTRONIC,ASSY,REMOTE PLUS TRAY,JAZZY1400/1420/1470,QUANTUM</b>	<b>1</b>	<b>\$177.45</b>	<b>\$452.5</b>	
B1	PLSTRAY1026	ELECTRONIC,UTILITY TRAY,PLASTIC,SWIVEL LID,E-1400-001	1	\$6.3	\$16.07	
B2	PLSXTRE1000	RATCHET FASTENER,BLACK,NYLON,M8 HOLE SIZE X 15MM L	3	\$1.05	\$2.68	
B3	GRMRUB1008	GROMMET,RUBBER,1.125"ID X 1.875"OD,W/ FLAPS	1	\$1.05	\$2.68	
B4	HARUSHD2128	ELECTRONIC,HARNESS,70AMP,JAZZY,CIRCUIT BREAKER WITH WIRES,BOOTS,H-1170-002	1	\$31.1	\$79.3	
B5	DWR1010H100	ELECTRONIC,HARNESS,QUANTUM CHARGER/POWER TAKE OFF(PTO)/INHIBIT,1122/1400 SERIES,H-1010-100	1	\$23.1	\$58.91	
B6	DWR1010H051	ELECTRONIC,HARNESS,POWER INTERFACE/CHARGER CABLE,REMOTE PLUS, RIGHT,H-1010-051	1	\$88.96	\$226.84	
B7	DWR1361H044	ELECTRONIC,HARNESS,TRIPLE FUSE HOLDER,7.5 AMP/7.5 AMP/15 AMP,H-1361-044	1	\$12.6	\$32.13	
B8	ELEMETR1003	ELECTRONIC,AMMETER,0-6	1	\$7.35	\$18.74	
B9	SCRPPH1032	SCREW,PPH-THREAD CUTTING,BLACK ZINC,6-32 X 0.375",TYPE F	4	\$1.05	\$2.68	
B10	ELEFUSE1010	FUSE,ATO,7.5AMP	1	\$1.05	\$2.68	
B11	ELESRLF1002	ELECTRONIC,STRAIN RELIEF BUSHING,0.750" L,BLACK,18AWG,(HEYCO: 1237-SR 7P-2)	1	\$2.1	\$5.36	
B12	DWR1361H038	ELECTRONIC,HARNESS,RUN PLUG,SURE SEAL,SYNERGY TILT,H-1361-038	1	\$8.06	\$20.56	
<b>*B13</b>	<b>PLSTIE1004</b>	<b>TIE WRAP,BLACK,8"</b>	<b>5</b>	<b>\$1.05</b>	<b>\$2.68</b>	
<b>C1 — C5</b>	<b>PLSASMB1065</b>	<b>ELECTRONIC,ASSY,SWIVEL LID</b>	<b>1</b>	<b>\$7.35</b>	<b>\$18.74</b>	
C1	WASINDV1000	WASHER,ZINC,0.50" ID X 1.00" OD X 0.125" TH	1	\$1.05	\$2.68	
C2	WASNYLN1018	WASHER,NYLON,0.500" ID X 1.125" OD X 0.0625" TH	1	\$1.05	\$2.68	
C3	SCRHHCS1529	SCREW,HHCS,ZINC,3/8-16 X 1.00",THREAD CUTTING	1	\$1.05	\$2.68	
C4	SPGRAW1036	SPRING,RAW, 1400 TRAY COVER	1	\$1.05	\$2.68	
C5	PLSINDV1087	TRAY, LID,SWIVEL	1	\$2.1	\$5.36	
D1a	ELEASMB5689	CONTROLLER,REMOTE PLUS,ASSY,80 AMP,JAZZY1400 SERIES,W/HIGH SPEED PROGRAM	1	\$529.2	\$1349.46	
D1b	ELEASMB5690	CONTROLLER,REMOTE PLUS,ASSY,80 AMP,JAZZY1400 SERIES,W/HIGH TORQUE PROGRAM	1	\$529.2	\$1349.46	
D1c	ELEASMB5045	CONTROLLER,REMOTE PLUS(PROFILED),ASSY,80 AMP,JAZZY SERIES PROGRAM	1	\$529.2	\$1349.46	

**Notes :**

Top-level assemblies will include components designated with corresponding lower-case letters. Parts without lower-case letters will be included in all top-level assemblies.

\*B13 Not shown.







# VII. Utility Tray Assembly — Remote Plus, Quantum Ready, Off-board

REF #	PART #	DESCRIPTION	QTY	Dealer \$	MSRP	11i
A1 — D1a	ELEASMB6324	ELECTRONIC,ASSY,REMOTE PLUS,SWIVEL LID,OFFBOARD CHARGER,HIGH SPEED MOTORS,QUANTUM	1	\$763.35	\$1946.54	
A1 — D1b	ELEASMB6325	ELECTRONIC,ASSY,REMOTE PLUS,SWIVEL LID,OFFBOARD CHARGER,HIGH TORQUE MOTORS,QUANTUM	1	\$763.35	\$1946.54	
A1 — D1c	ELEASMB6331	ELECTRONIC,ASSY,REMOTE PLUS(PROFILED),SWIVEL LID,OFFBOARD CHARGER,QUANTUM	1	\$763.35	\$1946.54	
A1	HARUSHD2154	ELECTRONIC,HARNESS,REMOTE PLUS,MOTOR CONT,RIGHT,H-1200-100	1	\$24.15	\$61.58	
A2	HARUSHD2153	ELECTRONIC,HARNESS,REMOTE PLUS,MOTOR CONT,LEFT,H-1200-099	1	\$24.15	\$61.58	
A3	NUTNYLK1001	NUT,NYLOCK,BLACK ZINC,10-32	2	\$1.05	\$2.68	
A4	SCRASBH1027	SCREW,BHSCS,BLACK ZINC,10-32 X 0.50"	2	\$1.05	\$2.68	
A5	ELEASMB3234	ELECTRONIC,ASSY,BATTERY CABLE,W/125A/32V FUSEABLE LINK,QUICK DISCONNECT,REMOTE PLUS,H-1400-002	1	\$21	\$53.55	
<b>B1 — C5</b>	<b>PLSASMB1918</b>	<b>ELECTRONIC,ASSY,REMOTE PLUS TRAY,JAZZY1400/1420/1470,OFFBOARD CHARGER,QUANTUM</b>	<b>1</b>	<b>\$160.65</b>	<b>\$409.66</b>	
B1	PLSTRAY1026	ELECTRONIC,UTILITY TRAY,PLASTIC,SWIVEL LID,E-1400-001	1	\$6.3	\$16.07	
B2	PLSXTRE1000	RATCHET FASTENER,BLACK,NYLON,M8 HOLE SIZE X 15MM L	3	\$1.05	\$2.68	
B3	GRMRUB1008	GROMMET,RUBBER,1.125"ID X 1.875"OD,W/ FLAPS	1	\$1.05	\$2.68	
B4	HARUSHD2128	ELECTRONIC,HARNESS,70AMP,JAZZY,CIRCUIT BREAKER WITH WIRES,BOOTS,H-1170-002	1	\$31.1	\$79.3	
B5	DWR1010H102	ELECTRONIC,HARNESS,QUANTUM OFFBOARD CHARGER/POWER TAKE OFF(PTO)/INHIBIT,1122/1400 SERIES,H-1010-102	1	\$13.65	\$34.81	
B6	DWR1010H051	ELECTRONIC,HARNESS,POWER INTERFACE/CHARGER CABLE,REMOTE PLUS, RIGHT,H-1010-051	1	\$88.96	\$226.84	
B7	DWR1361H044	ELECTRONIC,HARNESS,TRIPLE FUSE HOLDER,7.5 AMP/7.5 AMP/15 AMP,H-1361-044	1	\$12.6	\$32.13	
B8	SCRPPH1032	SCREW,PPH-THREAD CUTTING,BLACK ZINC,6-32 X 0.375",TYPE F	4	\$1.05	\$2.68	
B9	ELESRLF1002	ELECTRONIC,STRAIN RELIEF BUSHING,0.750" L,BLACK,18AWG,(HEYCO: 1237-SR 7P-2)	1	\$2.1	\$5.36	
B10	DWR1361H038	ELECTRONIC,HARNESS,RUN PLUG,SURE SEAL,SYNERGY TILT,H-1361-038	1	\$8.06	\$20.56	
B11	INDPART2046	PLUG,PLASTIC, SNAP-IN, AMP METER PLUG ADAPTER	1	\$1.05	\$2.68	
<b>*B12</b>	<b>PLSTIE1004</b>	<b>TIE WRAP,BLACK,8"</b>	<b>5</b>	<b>\$1.05</b>	<b>\$2.68</b>	
<b>C1 — C5</b>	<b>PLSASMB1065</b>	<b>ELECTRONIC,ASSY,SWIVEL LID</b>	<b>1</b>	<b>\$7.35</b>	<b>\$18.74</b>	
C1	WASINDV1000	WASHER,ZINC,0.50" ID X 1.00" OD X 0.125" TH	1	\$1.05	\$2.68	
C2	WASNLYN1018	WASHER,NYLON,0.500" ID X 1.125" OD X 0.0625" TH	1	\$1.05	\$2.68	
C3	SCRHHCS1529	SCREW,HHCS,ZINC,3/8-16 X 1.00",THREAD CUTTING	1	\$1.05	\$2.68	
C4	SPGRAW1036	SPRING,RAW, 1400 TRAY COVER	1	\$1.05	\$2.68	
C5	PLSINDV1087	TRAY, LID,SWIVEL	1	\$2.1	\$5.36	
D1a	ELEASMB5689	CONTROLLER,REMOTE PLUS,ASSY,80 AMP,JAZZY1400 SERIES,W/HIGH SPEED PROGRAM	1	\$529.2	\$1349.46	
D1b	ELEASMB5690	CONTROLLER,REMOTE PLUS,ASSY,80 AMP,JAZZY1400 SERIES,W/HIGH TORQUE PROGRAM	1	\$529.2	\$1349.46	
D1c	ELEASMB5045	CONTROLLER,REMOTE PLUS(PROFILED),ASSY,80 AMP,JAZZY SERIES PROGRAM	1	\$529.2	\$1349.46	

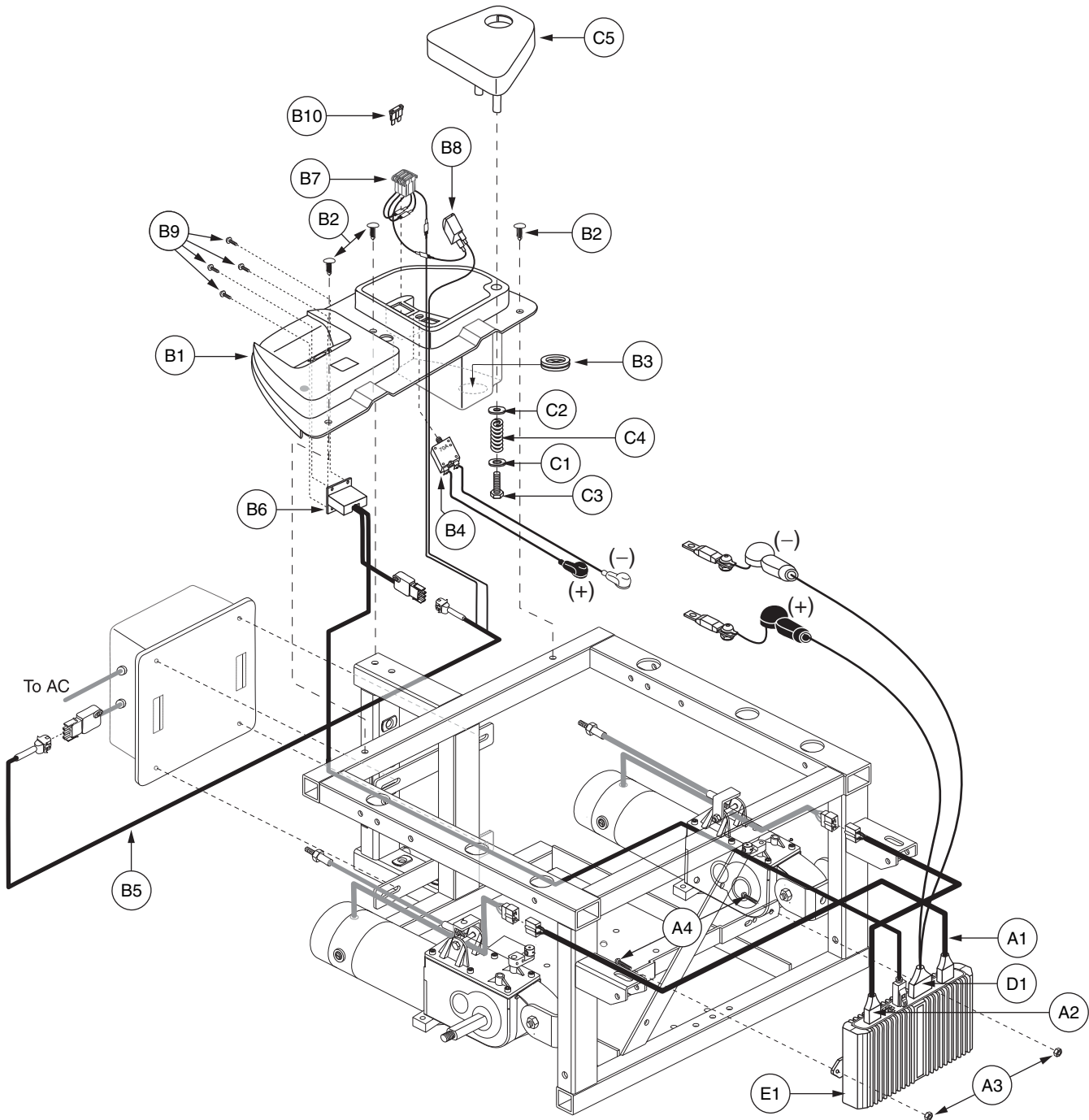
**Notes :**

Top-level assemblies will include components designated with corresponding lower-case letters. Parts without lower-case letters will be included in all top-level assemblies.

\*B12 Not shown.

# VII. Utility Tray Assembly — Europa, Onboard

Generation #2. Retrofits all previous generations.

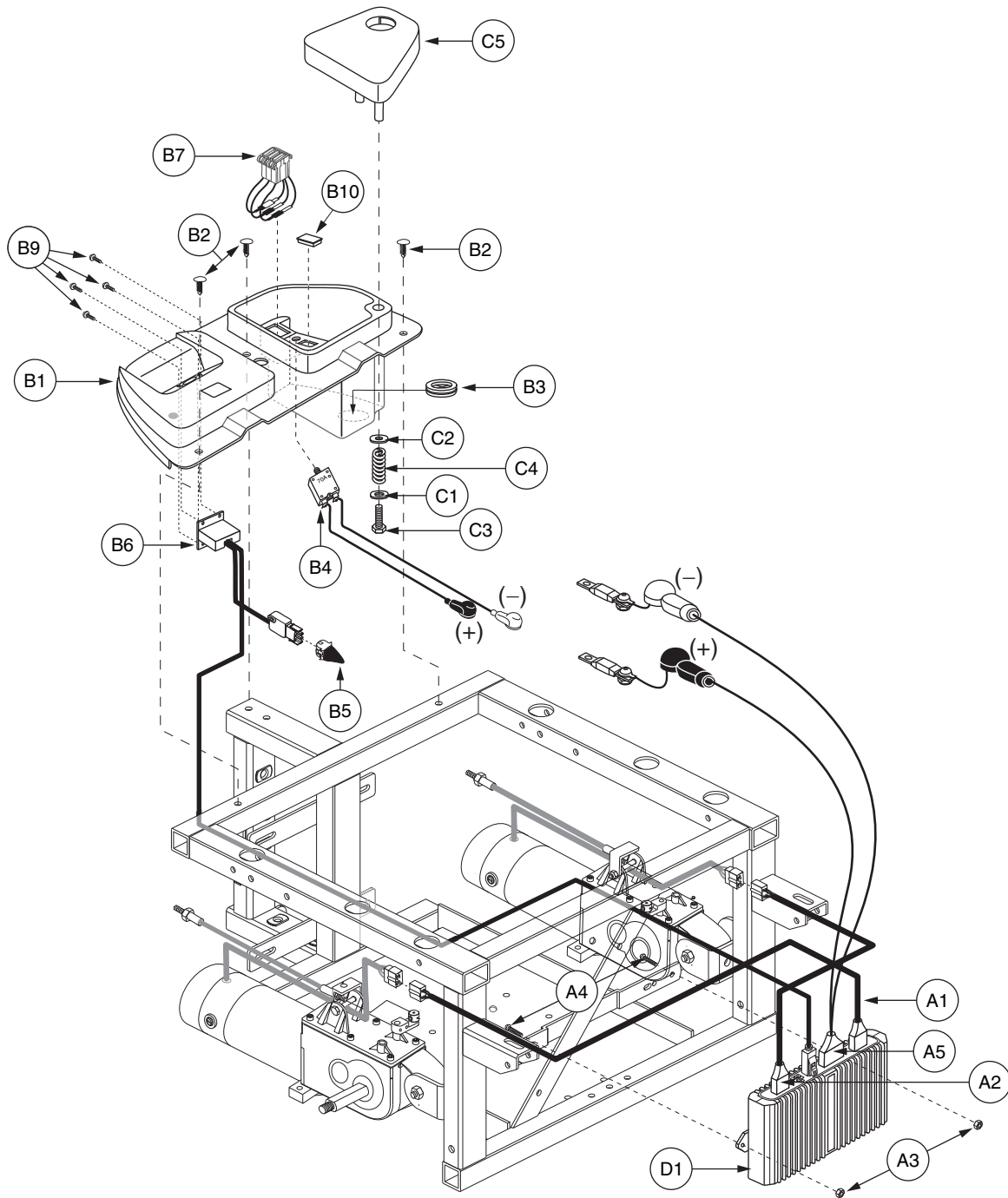


## VII. Utility Tray Assembly — Europa, Onboard

REF #	PART #	DESCRIPTION	QTY	Dealer \$	MSRP	11i
<b>A1 — D1</b>	<b>ELEASMB2757</b>	<b>ELECTRONIC,ASSY,EUROPA,JAZZY1400/1420/1470</b>	<b>1</b>	<b>\$184.8</b>	<b>\$471.24</b>	
A1	HARUSHD1128	ELECTRONIC,HARNESS,MOTOR,DYNAMIC,RIGHT	1	\$14.7	\$37.49	
A2	HARUSHD2054	ELECTRONIC,HARNESS,MOTOR,DYNAMIC,LEFT	1	\$14.7	\$37.49	
A3	NUTNYLK1001	NUT,NYLOCK,BLACK ZINC,10-32	2	\$1.05	\$2.68	
A4	SCRASBH1027	SCREW,BHSCS,BLACK ZINC,10-32 X 0.50"	2	\$1.05	\$2.68	
<b>B1 — C5</b>	<b>PLSASMB1049</b>	<b>ELECTRONIC,ASSY,EUROPA UTILITY TRAY,JAZZY,SWIVEL LID,RIGHT</b>	<b>1</b>	<b>\$131.25</b>	<b>\$334.69</b>	
B1	PLSTRAY1026	ELECTRONIC,UTILITY TRAY,PLASTIC,SWIVEL LID,E-1400-001	1	\$6.3	\$16.07	
B2	PLSXTRE1000	RATCHET FASTENER,BLACK,NYLON,M8 HOLE SIZE X 15MM L	3	\$1.05	\$2.68	
B3	GRMRUB1008	GROMMET,RUBBER,1.125"ID X 1.875"OD,W/ FLAPS	1	\$1.05	\$2.68	
B4	HARUSHD2128	ELECTRONIC,HARNESS,70AMP,JAZZY,CIRCUIT BREAKER WITH WIRES,BOOTS,H-1170-002	1	\$31.1	\$79.3	
B5	HARUSHD2150	ELECTRONIC,HARNESS,CHARGER,EXTERNAL FUSE READY,H-1420-001	1	\$7.35	\$18.74	
B6	HARUSHD2053	ELECTRONIC,HARNESS,CHGR,CUSTOM,DYNAMIC,DX ACC 10	1	\$75.6	\$192.78	
B7	HARUSHD2152	ELECTRONIC,HARNESS,7.5 AMP,THREE FUSE HOLDER,H-1420-003	1	\$12.3	\$31.36	
B8	ELEMETR1003	ELECTRONIC,AMMETER,0-6	1	\$7.35	\$18.74	
B9	SCRPPH1032	SCREW,PPH-THREAD CUTTING,BLACK ZINC,6-32 X 0.375",TYPE F	4	\$1.05	\$2.68	
B10	ELEFUSE1010	FUSE,ATO,7.5AMP	1	\$1.05	\$2.68	
<b>C1 — C5</b>	<b>PLSASMB1065</b>	<b>ELECTRONIC,ASSY,SWIVEL LID</b>	<b>1</b>	<b>\$7.35</b>	<b>\$18.74</b>	
C1	WASINDV1000	WASHER,ZINC,0.50" ID X 1.00" OD X 0.125" TH	1	\$1.05	\$2.68	
C2	WASNYLN1018	WASHER,NYLON,0.500" ID X 1.125" OD X 0.0625" TH	1	\$1.05	\$2.68	
C3	SCRHHCS1529	SCREW,HHCS,ZINC,3/8-16 X 1.00",THREAD CUTTING	1	\$1.05	\$2.68	
C4	SPGRAW1036	SPRING,RAW, 1400 TRAY COVER	1	\$1.05	\$2.68	
C5	PLSINDV1087	TRAY, LID,SWIVEL	1	\$2.1	\$5.36	
D1	ELEASMB3235	ELECTRONIC,ASSY,BATTERY CABLE,QUICK DISCONNECT, DYNAMIC, W/ 225A/32V FUSEABLE LI,H-1400-003	1	\$27.3	\$69.62	
E1	CTLDC1047	CONTROLLER,DYNAMIC,70AMP,DX-PM1,H-1010-017	1	\$577.5	\$1472.63	

### Notes :

Generation #2. Retrofits all previous generations.

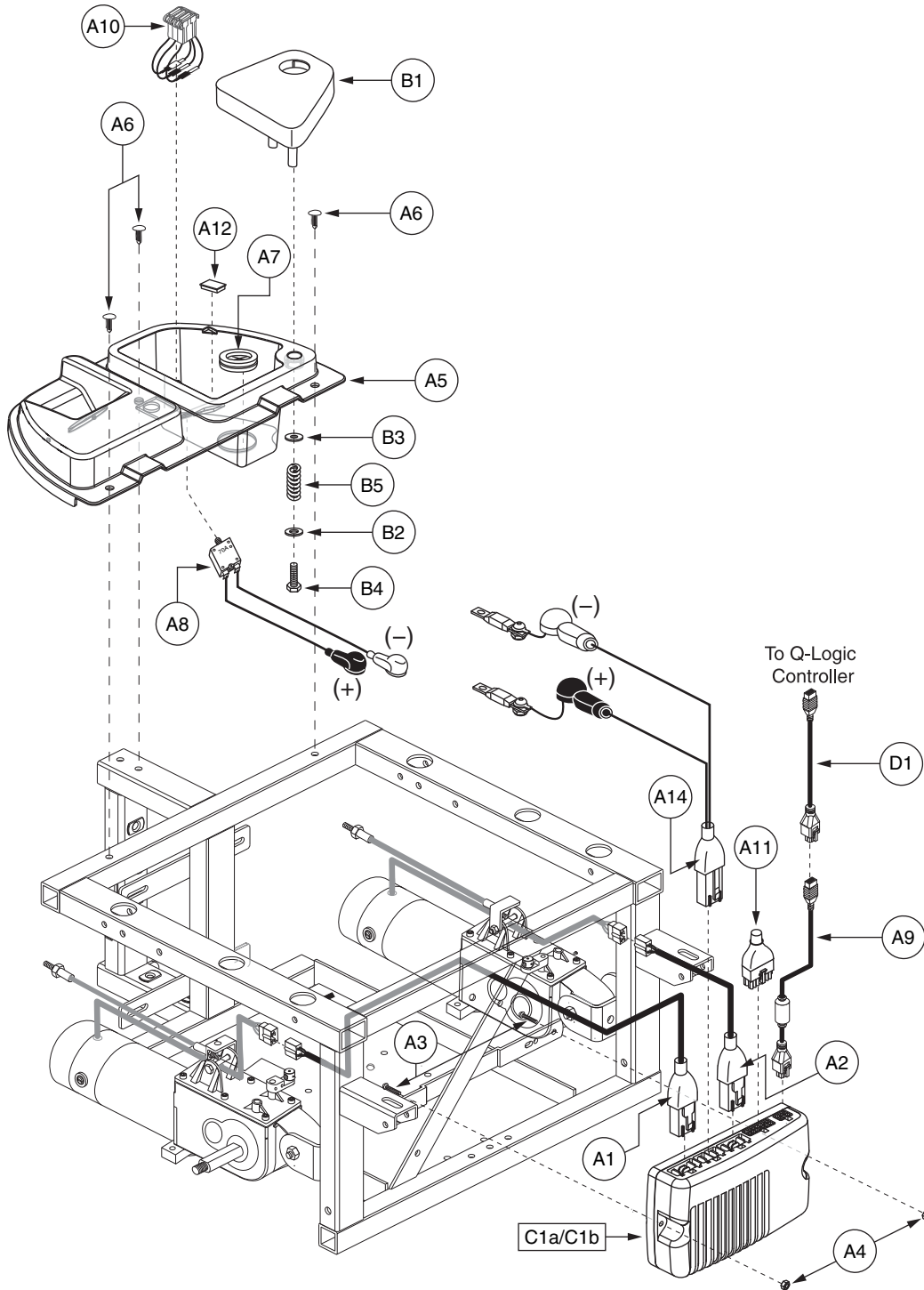


## VII. Utility Tray Assembly — Europa, Off-board

REF #	PART #	DESCRIPTION	QTY	Dealer \$	MSRP	11i
<b>A1 — C5</b>	<b>ELEASMB3807</b>	<b>ELECTRONIC,ASSY,EUROPA,OFFBOARD CHARGER,SWIVEL LID</b>	<b>1</b>	<b>\$172.2</b>	<b>\$439.11</b>	
A1	HARUSHD1128	ELECTRONIC,HARNESS,MOTOR,DYNAMIC,RIGHT	1	\$14.7	\$37.49	
A2	HARUSHD2054	ELECTRONIC,HARNESS,MOTOR,DYNAMIC,LEFT	1	\$14.7	\$37.49	
A3	NUTNYLK1001	NUT,NYLOCK,BLACK ZINC,10-32	2	\$1.05	\$2.68	
A4	SCRASBH1027	SCREW,BHSCS,BLACK ZINC,10-32 X 0.50"	2	\$1.05	\$2.68	
A5	ELEASMB3235	ELECTRONIC,ASSY,BATTERY CABLE,QUICK DISCONNECT, DYNAMIC, W/ 225A/32V FUSEABLE LI,H-1400-003	1	\$27.3	\$69.62	
<b>B1 — C5</b>	<b>PLSASMB1674</b>	<b>ELECTRONIC,ASSY,EUROPA TRAY,OFFBOARD CHARGER,SWIVEL LID</b>	<b>1</b>	<b>\$117.6</b>	<b>\$299.88</b>	
B1	PLSTRAY1026	ELECTRONIC,UTILITY TRAY,PLASTIC,SWIVEL LID,E-1400-001	1	\$6.3	\$16.07	
B2	PLSXTRE1000	RATCHET FASTENER,BLACK,NYLON,M8 HOLE SIZE X 15MM L	3	\$1.05	\$2.68	
B3	GRMRUB1008	GROMMET,RUBBER,1.125"ID X 1.875"OD,W/ FLAPS	1	\$1.05	\$2.68	
B4	HARUSHD2128	ELECTRONIC,HARNESS,70AMP,JAZZY,CIRCUIT BREAKER WITH WIRES,BOOTS,H-1170-002	1	\$31.1	\$79.3	
B5	HARUSHD2080	ELECTRONIC,HARNESS,3 PIN,RUN PLUG,FEMALE,H-1200-071	1	\$1.05	\$2.68	
B6	HARUSHD2053	ELECTRONIC,HARNESS,CHGR,CUSTOM,DYNAMIC,DX ACC 10	1	\$75.6	\$192.78	
B7	HARUSHD2152	ELECTRONIC,HARNESS,7.5 AMP,THREE FUSE HOLDER,H-1420-003	1	\$12.3	\$31.36	
*B8	PLSTIE1004	TIE WRAP,BLACK,8"	5	\$1.05	\$2.68	
B9	SCRPPH1032	SCREW,PPH-THREAD CUTTING,BLACK ZINC,6-32 X 0.375",TYPE F	4	\$1.05	\$2.68	
B10	INDPART2046	PLUG,PLASTIC, SNAP-IN, AMP METER PLUG ADAPTER	1	\$1.05	\$2.68	
<b>C1 — C5</b>	<b>PLSASMB1065</b>	<b>ELECTRONIC,ASSY,SWIVEL LID</b>	<b>1</b>	<b>\$7.35</b>	<b>\$18.74</b>	
C1	WASINDV1000	WASHER,ZINC,0.50" ID X 1.00" OD X 0.125" TH	1	\$1.05	\$2.68	
C2	WASNYLN1018	WASHER,NYLON,0.500" ID X 1.125" OD X 0.0625" TH	1	\$1.05	\$2.68	
C3	SCRHHCS1529	SCREW,HHCS,ZINC,3/8-16 X 1.00",THREAD CUTTING	1	\$1.05	\$2.68	
C4	SPGRAW1036	SPRING,RAW, 1400 TRAY COVER	1	\$1.05	\$2.68	
C5	PLSINDV1087	TRAY, LID,SWIVEL	1	\$2.1	\$5.36	
D1	CTLDC1047	CONTROLLER,DYNAMIC,70AMP,DX-PM1,H-1010-017	1	\$577.5	\$1472.63	

**Notes :**

\*B8 Not shown.



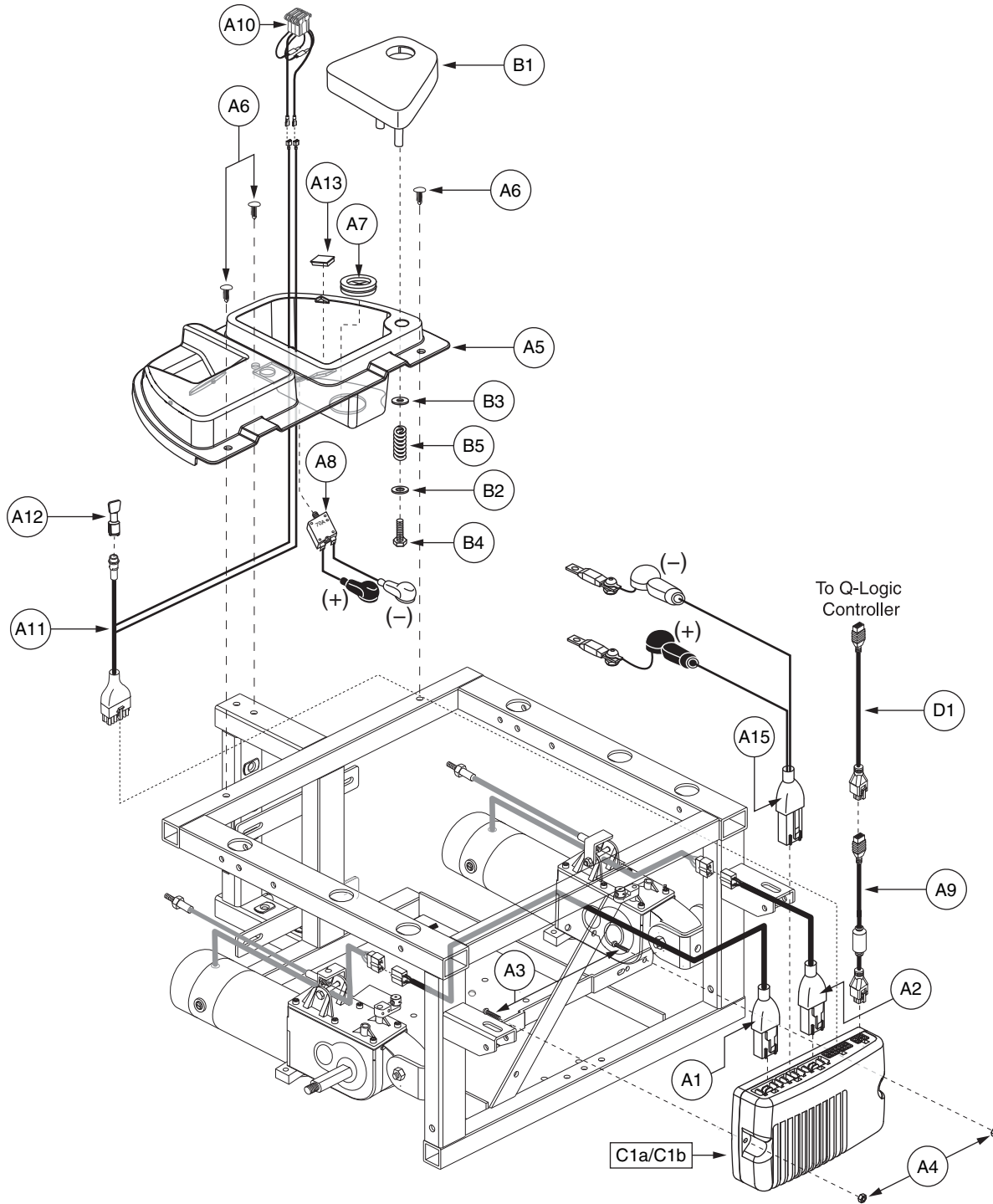
## VII. Utility Tray Assembly — Q-Logic, Off-board

REF #	PART #	DESCRIPTION	QTY	Dealer \$	11i MSRP
<b>A1 — C1a</b>	<b>ELEASMB5789</b>	<b>ELECTRONIC,ASSY,Q-LOGIC,CURTIS,80 AMP,HIGH SPEED MOTORS,OFFBOARD CHARGER,QUANTUM1420</b>	<b>1</b>	<b>\$658.32</b>	<b>\$1678.72</b>
<b>A1 — C1b</b>	<b>ELEASMB5884</b>	<b>ELECTRONIC,ASSY,Q-LOGIC,CURTIS,80 AMP,HIGH TORQUE MOTORS,OFFBOARD CHARGER,QUANTUM1420</b>	<b>1</b>	<b>\$658.32</b>	<b>\$1678.72</b>
A1	DWR1122H033	ELECTRONIC,HARNESS,MOTOR CONTROLLER,Q-LOGIC,CURTIS,QUANTUM 1122,RIGHT,H-1122-033	1	\$22.05	\$56.23
A2	DWR1122H034	ELECTRONIC,HARNESS,MOTOR CONTROLLER,Q-LOGIC,CURTIS,QUANTUM 1122,LEFT,H-1122-034	1	\$21.72	\$55.39
A3	SCRASBH1053	SCREW,BHSCS,BLACK ZINC,10-32 X 1.25"	2	\$1.05	\$2.68
A4	NUTNYLK1001	NUT,NYLOCK,BLACK ZINC,10-32	2	\$1.05	\$2.68
A5	DWR1420E001	ELECTRONIC,UTILITY TRAY,PLASTIC,SWIVEL LID,CURTIS,E-1420-001	1	N/A	N/A
A6	PLSXTRE1000	RATCHET FASTENER,BLACK,NYLON,M8 HOLE SIZE X 15MM L	3	\$1.05	\$2.68
A7	GRMRUB1008	GROMMET,RUBBER,1.125"ID X 1.875"OD,W/ FLAPS	1	\$1.05	\$2.68
A8	HARUSHD2128	ELECTRONIC,HARNESS,70AMP,JAZZY,CIRCUIT BREAKER WITH WIRES,BOOTS,H-1170-002	1	\$31.1	\$79.3
A9	DWR1111H052	HARNESS,BUS EXTENSION CABLE,1.0 METER,MALE/FEMALE,H-1111-052,(CURTIS: 37393)	1	\$210	\$350
A10	HARUSHD2152	ELECTRONIC,HARNESS,7.5 AMP,THREE FUSE HOLDER,H-1420-003	1	\$12.3	\$31.36
A11	DWR1265H027	ELECTRONIC,HARNESS,RUN PLUG,Q-LOGIC,H-1265-027	1	\$3	\$7.65
A12	INDPART2046	PLUG,PLASTIC, SNAP-IN, AMP METER PLUG ADAPTER	1	\$1.05	\$2.68
<b>*A13</b>	<b>PLSTIE1004</b>	<b>TIE WRAP,BLACK,8"</b>	<b>5</b>	<b>\$1.05</b>	<b>\$2.68</b>
A14	DWR1420H005	ELECTRONIC,HARNESS,BATTERY,Q-LOGIC,CURTIS,JAZZY 1420,H-1420-005	1	\$30.21	\$77.05
<b>B1 — B5</b>	<b>PLSASMB1065</b>	<b>ELECTRONIC,ASSY,SWIVEL LID</b>	<b>1</b>	<b>\$7.35</b>	<b>\$18.74</b>
B1	PLSINDV1087	TRAY, LID,SWIVEL	1	\$2.1	\$5.36
B2	WASINDV1000	WASHER,ZINC,0.50" ID X 1.00" OD X 0.125" TH	1	\$1.05	\$2.68
B3	WASNYLN1018	WASHER,NYLON,0.500" ID X 1.125" OD X 0.0625" TH	1	\$1.05	\$2.68
B4	SCRHHCS1529	SCREW,HHCS,ZINC,3/8-16 X 1.00",THREAD CUTTING	1	\$1.05	\$2.68
B5	SPGRAW1036	SPRING,RAW, 1400 TRAY COVER	1	\$1.05	\$2.68
C1a	ELEASMB5794	CONTROLLER,Q-LOGIC,CURTIS,ASSY,100 AMP,100 AMP,W/HIGH SPEED QUANTUM1420 PROGRAM	1	\$453.6	\$1156.68
C1b	ELEASMB5893	CONTROLLER,Q-LOGIC,CURTIS,ASSY,100 AMP,W/HIGH TORQUE QUANTUM1420 PROGRAM	1	\$453.6	\$1156.68
D1	DWR1111H065	ELECTRONIC,HARNESS,BUS EXTENSION CABLE,CURTIS,0.410 METER,MALE/FEMALE,H-1111-065,(CURTIS: 17881303)	1	\$210	\$350

### Notes :

Top-level assemblies will include components designated with corresponding lower-case letters. Parts without lower-case letters will be included in all top-level assemblies.

\*A13 Not shown.





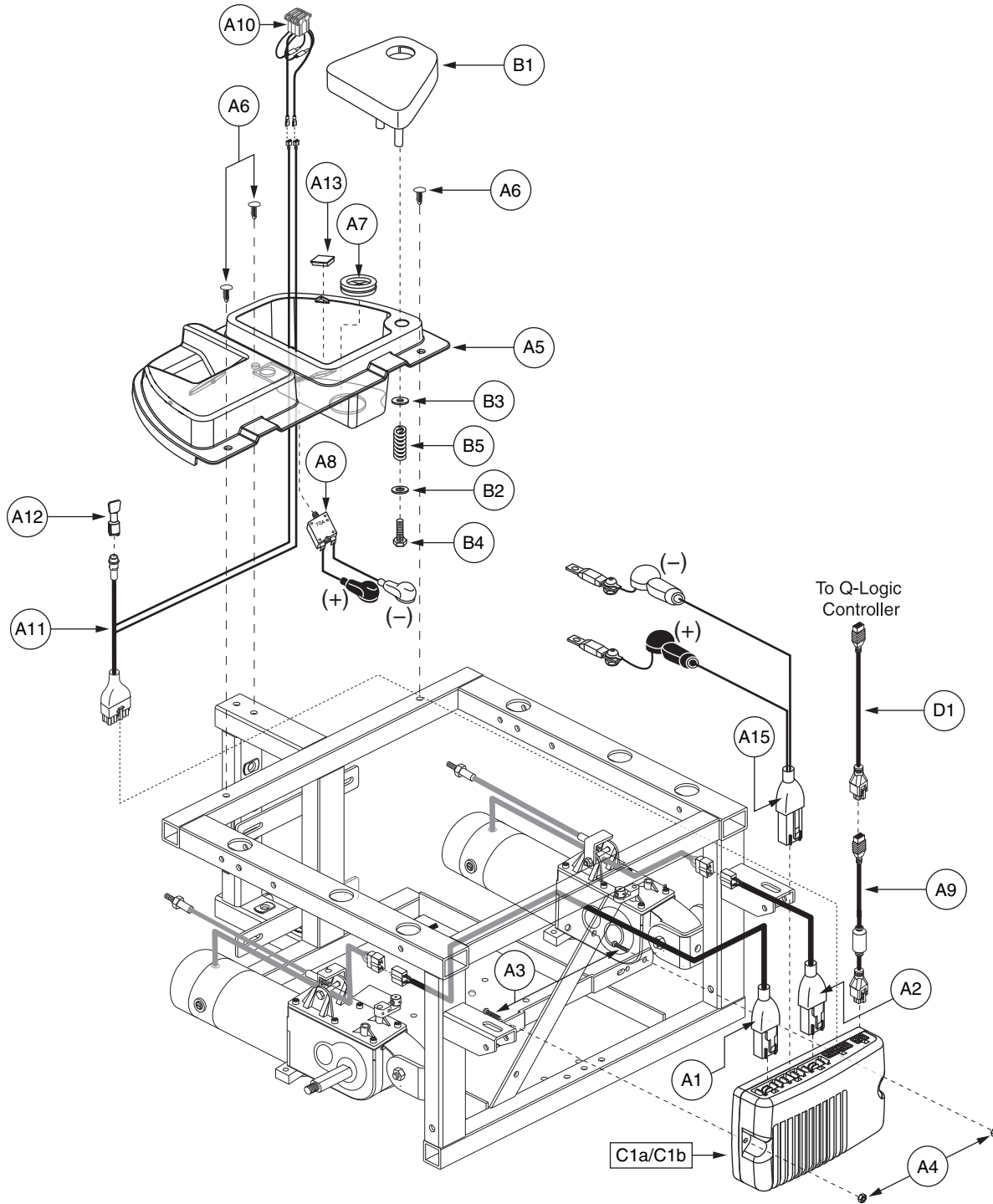
## VII. Utility Tray Assembly — Q-Logic, Quantum Ready, Off-board

REF #	PART #	DESCRIPTION	QTY	Dealer \$	MSRP	11i
<b>A1 — C1a</b>	<b>ELEASMB5791</b>	<b>ELECTRONIC,ASSY,Q-LOGIC,CURTIS,80 AMP,HIGH SPEED MOTORS,OFFBOARD CHARGER,QUANTUM1420,QUANTUM</b>	<b>1</b>	<b>\$678.78</b>	<b>\$1730.89</b>	
<b>A1 — C1b</b>	<b>ELEASMB5886</b>	<b>ELECTRONIC,ASSY,Q-LOGIC,CURTIS,80 AMP,HIGH TORQUE MOTORS,OFFBOARD CHARGER,QUANTUM1420,QUANTUM</b>	<b>1</b>	<b>\$678.78</b>	<b>\$1730.89</b>	
A1	DWR1122H033	ELECTRONIC,HARNESS,MOTOR CONTROLLER,Q-LOGIC,CURTIS,QUANTUM 1122,RIGHT,H-1122-033	1	\$22.05	\$56.23	
A2	DWR1122H034	ELECTRONIC,HARNESS,MOTOR CONTROLLER,Q-LOGIC,CURTIS,QUANTUM 1122,LEFT,H-1122-034	1	\$21.72	\$55.39	
A3	SCRASBH1053	SCREW,BHSCS,BLACK ZINC,10-32 X 1.25"	2	\$1.05	\$2.68	
A4	NUTNYLK1001	NUT,NYLOCK,BLACK ZINC,10-32	2	\$1.05	\$2.68	
A5	DWR1420E001	ELECTRONIC,UTILITY TRAY,PLASTIC,SWIVEL LID,CURTIS,E-1420-001	1	N/A	N/A	
A6	PLSXTRE1000	RATCHET FASTENER,BLACK,NYLON,M8 HOLE SIZE X 15MM L	3	\$1.05	\$2.68	
A7	GRMRUB1008	GROMMET,RUBBER,1.125"ID X 1.875"OD,W/ FLAPS	1	\$1.05	\$2.68	
A8	HARUSHD2128	ELECTRONIC,HARNESS,70AMP,JAZZY,CIRCUIT BREAKER WITH WIRES,BOOTS,H-1170-002	1	\$31.1	\$79.3	
A9	DWR1111H052	HARNESS,BUS EXTENSION CABLE,1.0 METER,MALE/FEMALE,H-1111-052,(CURTIS: 37393)	1	\$210	\$350	
A10	HARUSHD2152	ELECTRONIC,HARNESS,7.5 AMP,THREE FUSE HOLDER,H-1420-003	1	\$12.3	\$31.36	
A11	DWR1265H040	ELECTRONIC,HARNESS,POWER TAKE OFF(PTO)/INHIBIT,9P-9P,1730MM L,Q-LOGIC,CURTIS,JAZZY1420,H-1265-040	1	\$15.4	\$39.26	
A12	DWR1361H038	ELECTRONIC,HARNESS,RUN PLUG,SURE SEAL,SYNERGY TILT,H-1361-038	1	\$8.06	\$20.56	
A13	INDPART2046	PLUG,PLASTIC, SNAP-IN, AMP METER PLUG ADAPTER	1	\$1.05	\$2.68	
<b>*A14</b>	<b>PLSTIE1004</b>	<b>TIE WRAP,BLACK,8"</b>	<b>5</b>	<b>\$1.05</b>	<b>\$2.68</b>	
A15	DWR1420H005	ELECTRONIC,HARNESS,BATTERY,Q-LOGIC,CURTIS,JAZZY 1420,H-1420-005	1	\$30.21	\$77.05	
<b>B1 — B5</b>	<b>PLSASMB1065</b>	<b>ELECTRONIC,ASSY,SWIVEL LID</b>	<b>1</b>	<b>\$7.35</b>	<b>\$18.74</b>	
B1	PLSINDV1087	TRAY, LID,SWIVEL	1	\$2.1	\$5.36	
B2	WASINDV1000	WASHER,ZINC,0.50" ID X 1.00" OD X 0.125" TH	1	\$1.05	\$2.68	
B3	WASNYLN1018	WASHER,NYLON,0.500" ID X 1.125" OD X 0.0625" TH	1	\$1.05	\$2.68	
B4	SCRHHCS1529	SCREW,HHCS,ZINC,3/8-16 X 1.00",THREAD CUTTING	1	\$1.05	\$2.68	
B5	SPGRAW1036	SPRING,RAW, 1400 TRAY COVER	1	\$1.05	\$2.68	
C1a	ELEASMB5795	CONTROLLER,Q-LOGIC,CURTIS,ASSY,100 AMP,W/HIGH SPEED QUANTUM1420 PROGRAM,QUANTUM	1	\$453.6	\$1156.68	
C1b	ELEASMB5894	CONTROLLER,Q-LOGIC,CURTIS,ASSY,100 AMP,W/HIGH TORQUE QUANTUM1420 PROGRAM,QUANTUM	1	\$453.6	\$1156.68	
D1	DWR1111H065	ELECTRONIC,HARNESS,BUS EXTENSION CABLE,CURTIS,0.410 METER,MALE/FEMALE,H-1111-065,(CURTIS: 17881303)	1	\$210	\$350	

### Notes :

Top-level assemblies will include components designated with corresponding lower-case letters. Parts without lower-case letters will be included in all top-level assemblies.

\*A14 Not shown.



## VII. Utility Tray Assembly — Q-Logic, Tilt Thru Toggle, Off-board

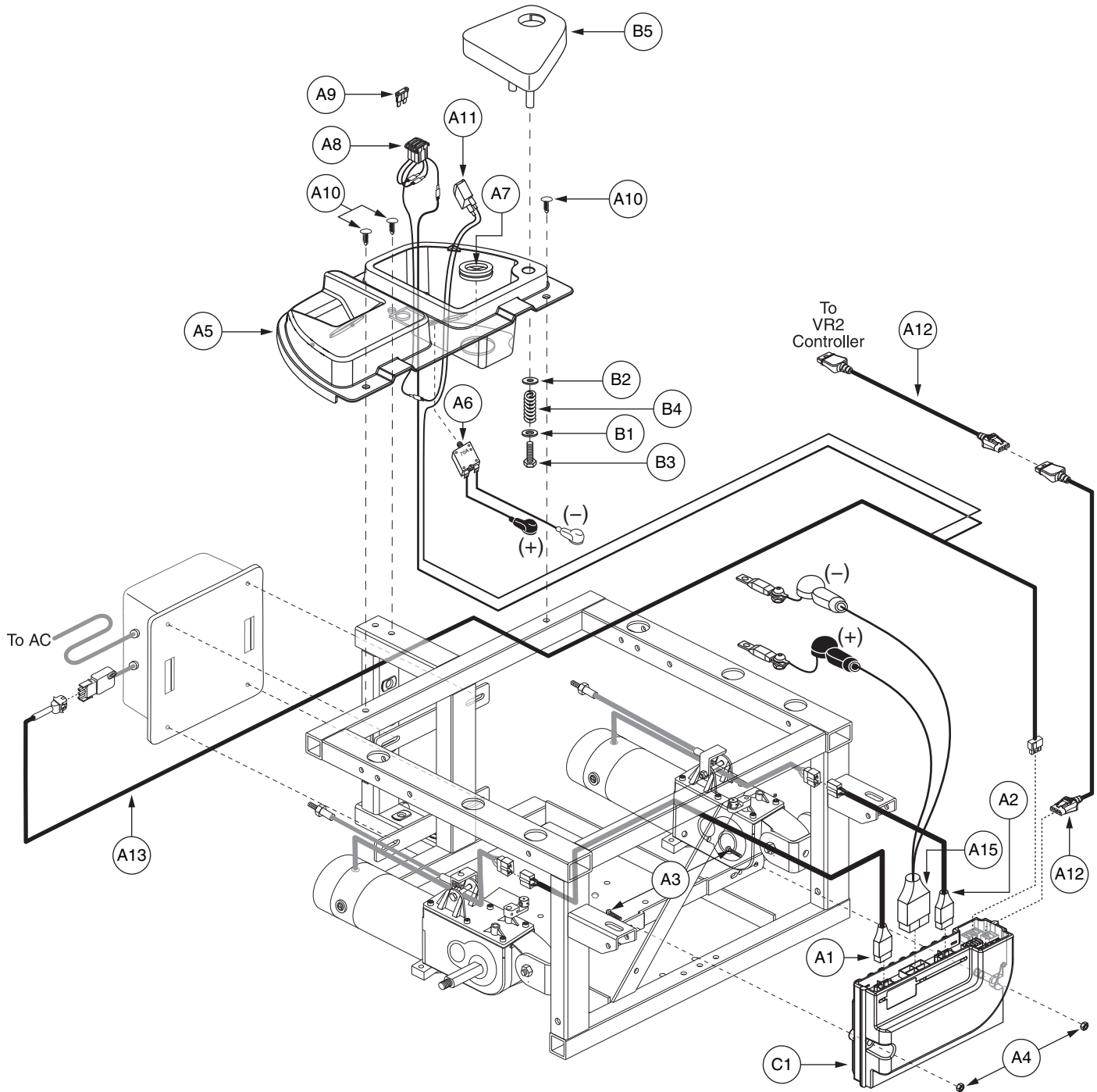
REF #	PART #	DESCRIPTION	QTY	Dealer \$	MSRP	11i
<b>A1 — C1a</b>	<b>ELEASMB5790</b>	<b>ELECTRONIC,ASSY,Q-LOGIC,CURTIS,100 AMP,HIGH SPEED MOTORS,OFFBOARD CHARGER,QUANTUM1420,TILT THRU TOGGLE</b>	<b>1</b>	<b>\$678.78</b>	<b>\$1730.89</b>	
<b>A1 — C1b</b>	<b>ELEASMB5885</b>	<b>ELECTRONIC,ASSY,Q-LOGIC,CURTIS,100 AMP,HIGH TORQUE MOTORS,OFFBOARD CHARGER,QUANTUM1420,TILT THRU TOGGLE</b>	<b>1</b>	<b>\$678.78</b>	<b>\$1730.89</b>	
A1	DWR1122H033	ELECTRONIC,HARNESS,MOTOR CONTROLLER,Q-LOGIC,CURTIS,QUANTUM 1122,RIGHT,H-1122-033	1	\$22.05	\$56.23	
A2	DWR1122H034	ELECTRONIC,HARNESS,MOTOR CONTROLLER,Q-LOGIC,CURTIS,QUANTUM 1122,LEFT,H-1122-034	1	\$21.72	\$55.39	
A3	SCRASBH1053	SCREW,BHSCS,BLACK ZINC,10-32 X 1.25"	2	\$1.05	\$2.68	
A4	NUTNYLK1001	NUT,NYLOCK,BLACK ZINC,10-32	2	\$1.05	\$2.68	
A5	DWR1420E001	ELECTRONIC,UTILITY TRAY,PLASTIC,SWIVEL LID,CURTIS,E-1420-001	1	N/A	N/A	
A6	PLSXTRE1000	RATCHET FASTENER,BLACK,NYLON,M8 HOLE SIZE X 15MM L	3	\$1.05	\$2.68	
A7	GRMRUB1008	GROMMET,RUBBER,1.125"ID X 1.875"OD,W/ FLAPS	1	\$1.05	\$2.68	
A8	HARUSHD2128	ELECTRONIC,HARNESS,70AMP,JAZZY,CIRCUIT BREAKER WITH WIRES,BOOTS,H-1170-002	1	\$31.1	\$79.3	
A9	DWR1111H052	HARNESS,BUS EXTENSION CABLE,1.0 METER,MALE/FEMALE,H-1111-052,(CURTIS: 37393)	1	\$210	\$350	
A10	HARUSHD2152	ELECTRONIC,HARNESS,7.5 AMP,THREE FUSE HOLDER,H-1420-003	1	\$12.3	\$31.36	
A11	DWR1265H040	ELECTRONIC,POWER TAKE OFF(PTO)/INHIBIT,Q-LOGIC,CURTIS,JAZZY1420,H-1265-040	1	\$15.4	\$39.26	
A12	DWR1361H038	ELECTRONIC,HARNESS,RUN PLUG,SURE SEAL,SYNERGY TILT,H-1361-038	1	\$8.06	\$20.56	
A13	INDPART2046	PLUG,PLASTIC, SNAP-IN, AMP METER PLUG ADAPTER	1	\$1.05	\$2.68	
<b>*A14</b>	<b>PLSTIE1004</b>	<b>TIE WRAP,BLACK,8"</b>	<b>5</b>	<b>\$1.05</b>	<b>\$2.68</b>	
A15	DWR1420H005	ELECTRONIC,HARNESS,BATTERY,Q-LOGIC,CURTIS,JAZZY 1420,H-1420-005	1	\$30.21	\$77.05	
<b>B1 — B5</b>	<b>PLSASMB1065</b>	<b>ELECTRONIC,ASSY,SWIVEL LID</b>	<b>1</b>	<b>\$7.35</b>	<b>\$18.74</b>	
B1	PLSINDV1087	TRAY, LID,SWIVEL	1	\$2.1	\$5.36	
B2	WASINDV1000	WASHER,ZINC,0.50" ID X 1.00" OD X 0.125" TH	1	\$1.05	\$2.68	
B3	WASNYLN1018	WASHER,NYLON,0.500" ID X 1.125" OD X 0.0625" TH	1	\$1.05	\$2.68	
B4	SCRHHCS1529	SCREW,HHCS,ZINC,3/8-16 X 1.00",THREAD CUTTING	1	\$1.05	\$2.68	
B5	SPGRAW1036	SPRING,RAW, 1400 TRAY COVER	1	\$1.05	\$2.68	
C1a	ELEASMB5794	CONTROLLER,Q-LOGIC,CURTIS,ASSY,100 AMP,100 AMP,W/HIGH SPEED QUANTUM1420 PROGRAM	1	\$453.6	\$1156.68	
C1b	ELEASMB5893	CONTROLLER,Q-LOGIC,CURTIS,ASSY,100 AMP,W/HIGH TORQUE QUANTUM1420 PROGRAM	1	\$453.6	\$1156.68	
D1	DWR1111H065	ELECTRONIC,HARNESS,BUS EXTENSION CABLE,CURTIS,0.410 METER,MALE/FEMALE,H-1111-065,(CURTIS: 17881303)	1	\$210	\$350	

### Notes :

Top-level assemblies will include components designated with corresponding lower-case letters. Parts without lower-case letters will be included in all top-level assemblies.

\*A14 Not shown.

# VII. Utility Tray Assembly — VR2, Onboard

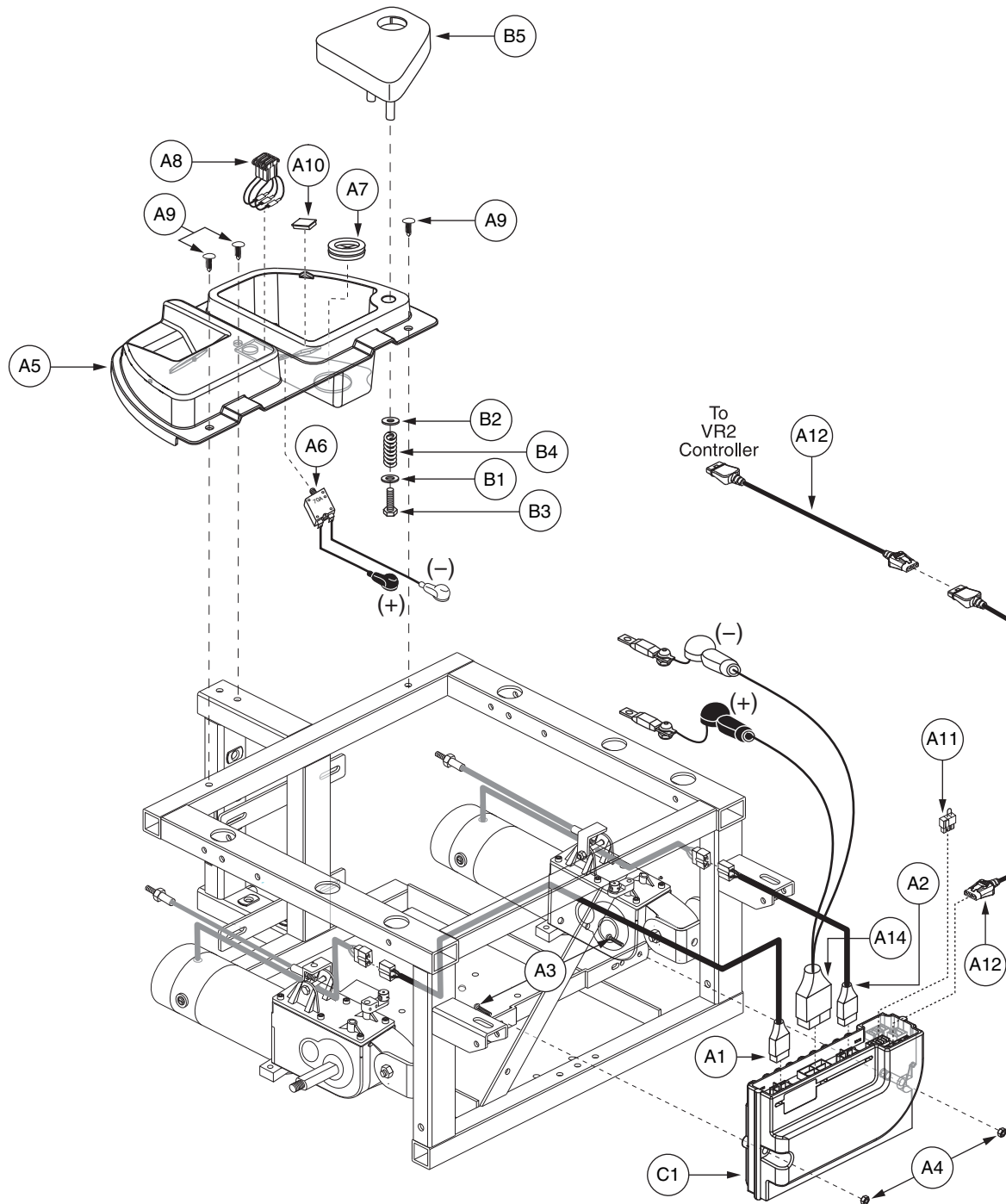


## VII. Utility Tray Assembly — VR2, Onboard

REF #	PART #	DESCRIPTION	QTY	Dealer \$	MSRP	11i
<b>A1 - C1</b>	<b>ELEASMB6011</b>	<b>ELECTRONIC,ASSY,VR2,70 AMP,HIGH SPEED/HIGH TORQUE MOTORS,ONBOARD CHARGER,QUANTUM1420</b>	<b>1</b>	<b>\$363.03</b>	<b>\$925.73</b>	
A1	DWR1420H008	ELECTRONIC,HARNESS,MOTOR,RIGHT,VR2,QUANTUM1420,H-1420-008	1	\$14.72	\$37.53	
A2	DWR1420H007	ELECTRONIC,HARNESS,MOTOR,LEFT,VR2,QUANTUM1420,H-1420-007	1	\$14.72	\$37.53	
A3	SCRASBH1052	SCREW,BHSCS,BLACK ZINC,10-32 X 1.50"	2	\$1.05	\$2.68	
A4	NUTNYLK1001	NUT,NYLOCK,BLACK ZINC,10-32	2	\$1.05	\$2.68	
A5	DWR1420E001	ELECTRONIC,UTILITY TRAY,PLASTIC,SWIVEL LID,CURTIS,E-1420-001	1	N/A	N/A	
A6	HARUSHD2128	ELECTRONIC,HARNESS,70AMP,JAZZY,CIRCUIT BREAKER WITH WIRES,BOOTS,H-1170-002	1	\$31.1	\$79.3	
A7	GRMRUB1008	GROMMET,RUBBER,1.125"ID X 1.875"OD,W/ FLAPS	1	\$1.05	\$2.68	
A8	HARUSHD2152	ELECTRONIC,HARNESS,7.5 AMP,THREE FUSE HOLDER,H-1420-003	1	\$12.3	\$31.36	
A9	ELEFUSE1010	FUSE,ATO,7.5AMP	1	\$1.05	\$2.68	
A10	PLSXTRE1000	RATCHET FASTENER,BLACK,NYLON,M8 HOLE SIZE X 15MM L	3	\$1.05	\$2.68	
A11	ELEMETR1003	ELECTRONIC,AMMETER,0-6	1	\$7.35	\$18.74	
A12	DWR1010H128	ELECTRONIC,HARNESS,VR2 EXTENSION CABLE,H-1010-128,(P&G: SA77974)	2	\$7.56	\$19.28	
A13	DWR1420H011	ELECTRONIC,HARNESS,CHARGER,VR2,QUANTUM1420,H-1420-011	1	\$13.89	\$35.41	
<b>*A14</b>	<b>PLSTIE1004</b>	<b>TIE WRAP,BLACK,8"</b>	<b>5</b>	<b>\$1.05</b>	<b>\$2.68</b>	
A15	DWR1420H006	ELECTRONIC,HARNESS,BATTERY CABLE,VR2,QUANTUM1420,H-1420-006	1	\$31.47	\$80.26	
<b>B1 - B5</b>	<b>PLSASMB1065</b>	<b>ELECTRONIC,ASSY,SWIVEL LID</b>	<b>1</b>	<b>\$7.35</b>	<b>\$18.74</b>	
B1	WASINDV1000	WASHER,ZINC,0.50" ID X 1.00" OD X 0.125" TH	1	\$1.05	\$2.68	
B2	WASNYLN1018	WASHER,NYLON,0.500" ID X 1.125" OD X 0.0625" TH	1	\$1.05	\$2.68	
B3	SCRHHCS1529	SCREW,HHCS,ZINC,3/8-16 X 1.00",THREAD CUTTING	1	\$1.05	\$2.68	
B4	SPGRAW1036	SPRING,RAW, 1400 TRAY COVER	1	\$1.05	\$2.68	
B5	PLSINDV1087	TRAY, LID,SWIVEL	1	\$2.1	\$5.36	
C1	ELEASMB6071	CONTROLLER,VR2,ASSY,70 AMP,W/HIGH SPEED/HIGH TORQUE QUANTUM1420 PROGRAM	1	\$214.2	\$546.21	

**Notes :**

\*A14 Not shown.



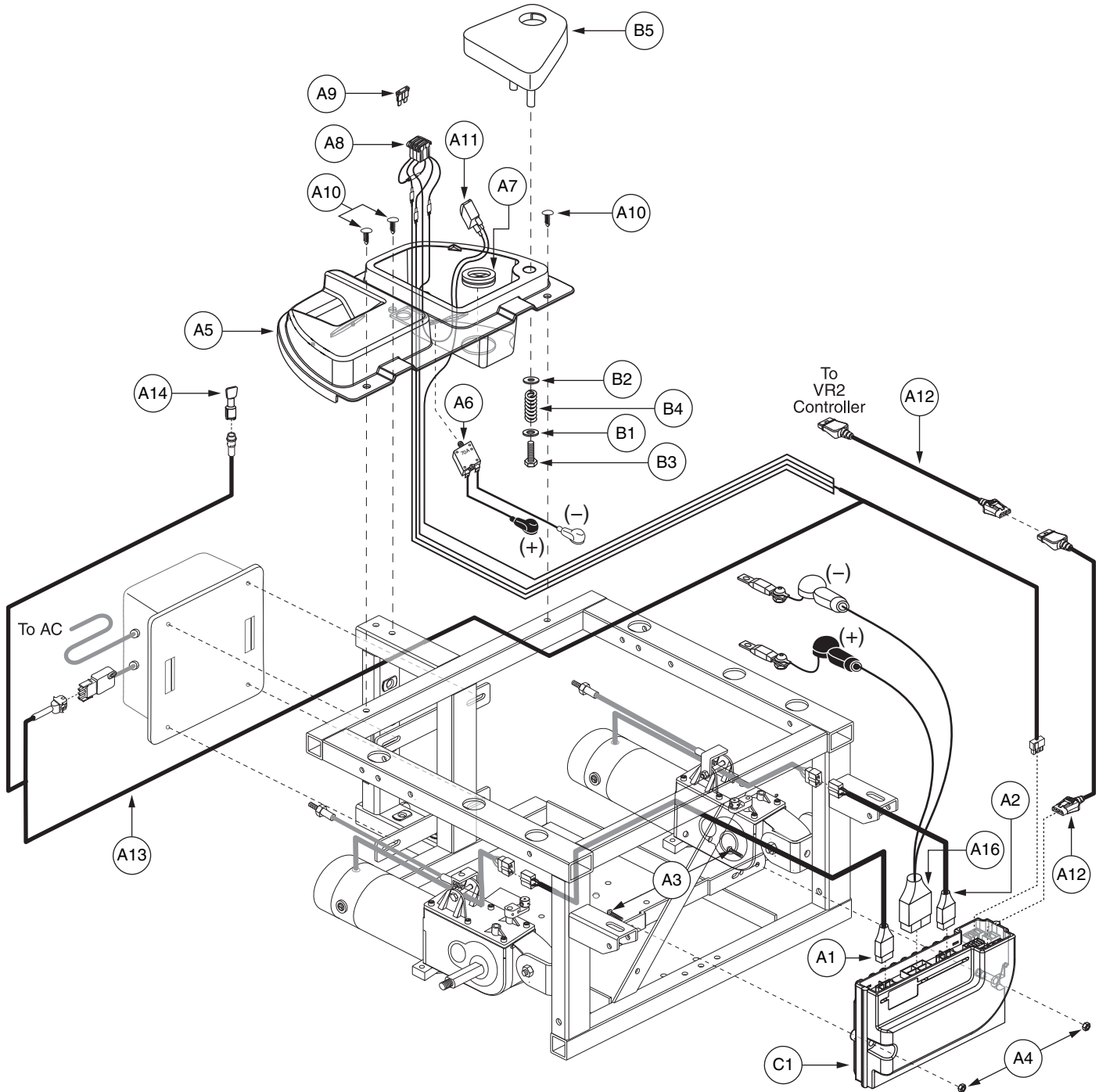
## VII. Utility Tray Assembly — VR2, Off-board

REF #	PART #	DESCRIPTION	QTY	Dealer \$	MSRP	11i
<b>A1 - C1</b>	<b>ELEASMB6003</b>	<b>ELECTRONIC,ASSY,VR2,70 AMP,HIGH SPEED/HIGH TORQUE MOTORS,OFFBOARD CHARGER,QUANTUM1420</b>	<b>1</b>	<b>\$359.64</b>	<b>\$917.08</b>	
A1	DWR1420H008	ELECTRONIC,HARNESS,MOTOR,RIGHT,VR2,QUANTUM1420,H-1420-008	1	\$14.72	\$37.53	
A2	DWR1420H007	ELECTRONIC,HARNESS,MOTOR,LEFT,VR2,QUANTUM1420,H-1420-007	1	\$14.72	\$37.53	
A3	SCRASBH1052	SCREW,BHSCS,BLACK ZINC,10-32 X 1.50"	2	\$1.05	\$2.68	
A4	NUTNYLK1001	NUT,NYLOCK,BLACK ZINC,10-32	2	\$1.05	\$2.68	
A5	DWR1420E001	ELECTRONIC,UTILITY TRAY,PLASTIC,SWIVEL LID,CURTIS,E-1420-001	1	N/A	N/A	
A6	HARUSHD2128	ELECTRONIC,HARNESS,70AMP,JAZZY,CIRCUIT BREAKER WITH WIRES,BOOTS,H-1170-002	1	\$31.1	\$79.3	
A7	GRMRUB1008	GROMMET,RUBBER,1.125"ID X 1.875"OD,W/ FLAPS	1	\$1.05	\$2.68	
A8	HARUSHD2152	ELECTRONIC,HARNESS,7.5 AMP,THREE FUSE HOLDER,H-1420-003	1	\$12.3	\$31.36	
A9	PLSXTRE1000	RATCHET FASTENER,BLACK,NYLON,M8 HOLE SIZE X 15MM L	3	\$1.05	\$2.68	
A10	INDPART2046	PLUG,PLASTIC, SNAP-IN, AMP METER PLUG ADAPTER	1	\$1.05	\$2.68	
A11	DWR1116H054	ELECTRONIC,HARNESS,RUN PLUG,VR2,H-1116-054	1	\$3.96	\$10.09	
A12	DWR1010H128	ELECTRONIC,HARNESS,VR2 EXTENSION CABLE,H-1010-128,(P&G: SA77974)	2	\$7.56	\$19.28	
<b>*A13</b>	<b>PLSTIE1004</b>	<b>TIE WRAP,BLACK,8"</b>	<b>5</b>	<b>\$1.05</b>	<b>\$2.68</b>	
A14	DWR1420H006	ELECTRONIC,HARNESS,BATTERY CABLE,VR2,QUANTUM1420,H-1420-006	1	\$31.47	\$80.26	
<b>B1 - B5</b>	<b>PLSASMB1065</b>	<b>ELECTRONIC,ASSY,SWIVEL LID</b>	<b>1</b>	<b>\$7.35</b>	<b>\$18.74</b>	
B1	WASINDV1000	WASHER,ZINC,0.50" ID X 1.00" OD X 0.125" TH	1	\$1.05	\$2.68	
B2	WASNYLN1018	WASHER,NYLON,0.500" ID X 1.125" OD X 0.0625" TH	1	\$1.05	\$2.68	
B3	SCRHHCS1529	SCREW,HHCS,ZINC,3/8-16 X 1.00",THREAD CUTTING	1	\$1.05	\$2.68	
B4	SPGRAW1036	SPRING,RAW, 1400 TRAY COVER	1	\$1.05	\$2.68	
B5	PLSINDV1087	TRAY, LID,SWIVEL	1	\$2.1	\$5.36	
C1	ELEASMB6071	CONTROLLER,VR2,ASSY,70 AMP,W/HIGH SPEED/HIGH TORQUE QUANTUM1420 PROGRAM	1	\$214.2	\$546.21	

**Notes :**

\*A13 Not shown.

# VII. Utility Tray Assembly — VR2, Tilt Thru Toggle, Onboard





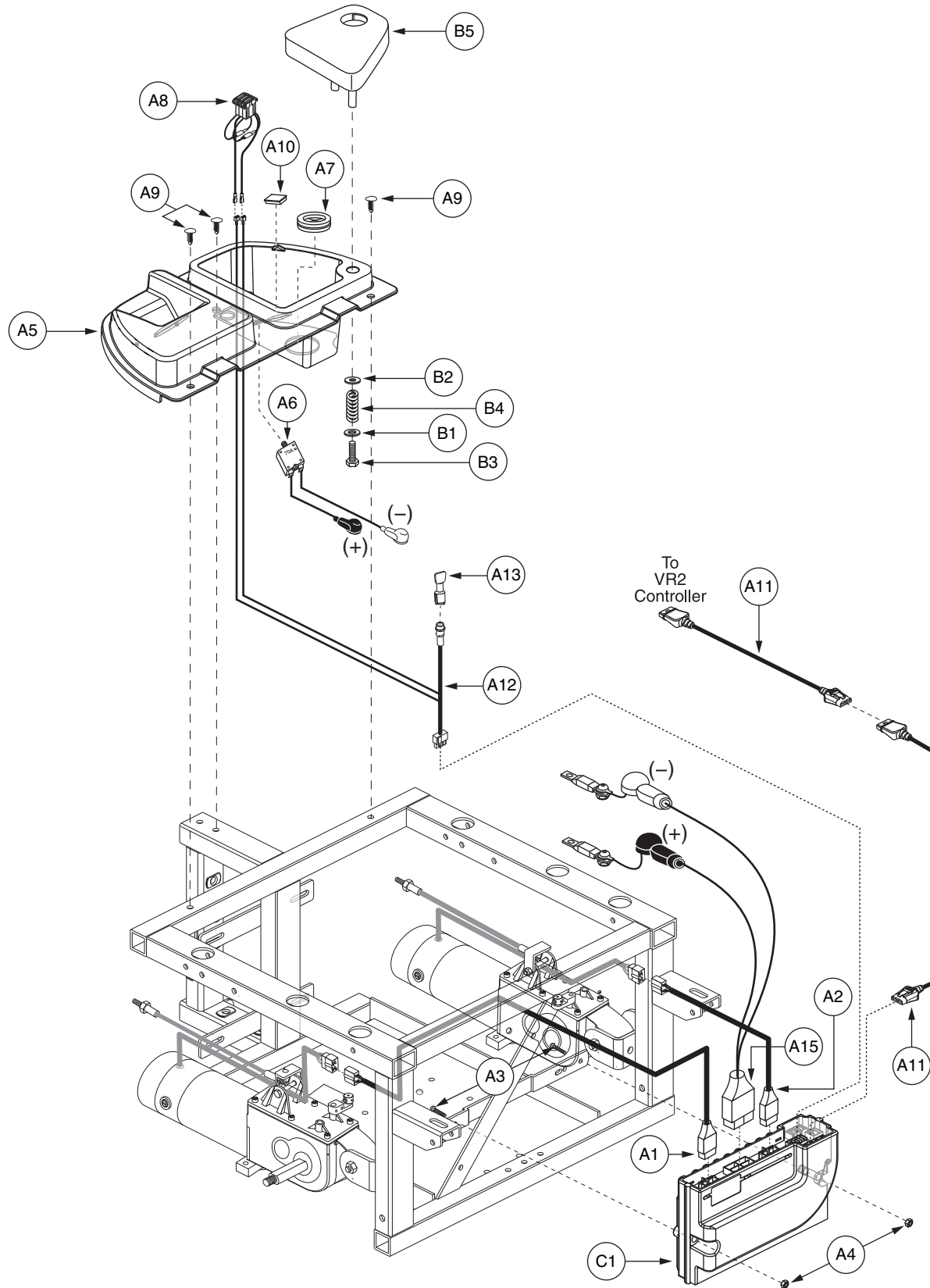
## VII. Utility Tray Assembly — VR2, Tilt Thru Toggle, Onboard

REF #	PART #	DESCRIPTION	QTY	Dealer \$	MSRP	11i
<b>A1 - C1</b>	<b>ELEASMB6012</b>	<b>ELECTRONIC,ASSY,VR2,70 AMP,HIGH SPEED/HIGH TORQUE MOTORS,ONBOARD CHARGER,QUANTUM1420,TILT THRU TOGGLE</b>	<b>1</b>	<b>\$401.28</b>	<b>\$1023.26</b>	
A1	DWR1420H008	ELECTRONIC,HARNESS,MOTOR,RIGHT,VR2,QUANTUM1420,H-1420-008	1	\$14.72	\$37.53	
A2	DWR1420H007	ELECTRONIC,HARNESS,MOTOR,LEFT,VR2,QUANTUM1420,H-1420-007	1	\$14.72	\$37.53	
A3	SCRASBH1052	SCREW,BHSCS,BLACK ZINC,10-32 X 1.50"	2	\$1.05	\$2.68	
A4	NUTNYLK1001	NUT,NYLOCK,BLACK ZINC,10-32	2	\$1.05	\$2.68	
A5	DWR1420E001	ELECTRONIC,UTILITY TRAY,PLASTIC,SWIVEL LID,CURTIS,E-1420-001	1	N/A	N/A	
A6	HARUSHD2128	ELECTRONIC,HARNESS,70AMP,JAZZY,CIRCUIT BREAKER WITH WIRES,BOOTS,H-1170-002	1	\$31.1	\$79.3	
A7	GRMRUB1008	GROMMET,RUBBER,1.125"ID X 1.875"OD,W/ FLAPS	1	\$1.05	\$2.68	
A8	HARUSHD2152	ELECTRONIC,HARNESS,7.5 AMP,THREE FUSE HOLDER,H-1420-003	1	\$12.3	\$31.36	
A9	ELEFUSE1010	FUSE,ATO,7.5AMP	1	\$1.05	\$2.68	
A10	PLSXTRE1000	RATCHET FASTENER,BLACK,NYLON,M8 HOLE SIZE X 15MM L	3	\$1.05	\$2.68	
A11	ELEMETR1003	ELECTRONIC,AMMETER,0-6	1	\$7.35	\$18.74	
A12	DWR1010H128	ELECTRONIC,HARNESS,VR2 EXTENSION CABLE,H-1010-128,(P&G: SA77974)	2	\$7.56	\$19.28	
A13	DWR1420H009	ELECTRONIC,HARNESS,CHARGER/POWER TAKE OFF(PTO)/INHIBIT,VR2,QUANTUM1420,H-1420-009	1	\$30.19	\$76.98	
A14	DWR1361H038	ELECTRONIC,HARNESS,RUN PLUG,SURE SEAL,SYNERGY TILT,H-1361-038	1	\$8.06	\$20.56	
<b>*A15</b>	<b>PLSTIE1004</b>	<b>TIE WRAP,BLACK,8"</b>	<b>5</b>	<b>\$1.05</b>	<b>\$2.68</b>	
A16	DWR1420H006	ELECTRONIC,HARNESS,BATTERY CABLE,VR2,QUANTUM1420,H-1420-006	1	\$31.47	\$80.26	
<b>B1 - B5</b>	<b>PLSASMB1065</b>	<b>ELECTRONIC,ASSY,SWIVEL LID</b>	<b>1</b>	<b>\$7.35</b>	<b>\$18.74</b>	
B1	WASINDV1000	WASHER,ZINC,0.50" ID X 1.00" OD X 0.125" TH	1	\$1.05	\$2.68	
B2	WASNYLN1018	WASHER,NYLON,0.500" ID X 1.125" OD X 0.0625" TH	1	\$1.05	\$2.68	
B3	SCRHHCS1529	SCREW,HHCS,ZINC,3/8-16 X 1.00",THREAD CUTTING	1	\$1.05	\$2.68	
B4	SPGRAW1036	SPRING,RAW, 1400 TRAY COVER	1	\$1.05	\$2.68	
B5	PLSINDV1087	TRAY, LID,SWIVEL	1	\$2.1	\$5.36	
C1	ELEASMB6071	CONTROLLER,VR2,ASSY,70 AMP,W/HIGH SPEED/HIGH TORQUE QUANTUM1420 PROGRAM	1	\$214.2	\$546.21	

**Notes :**

\*A15 Not shown.

# VII. Utility Tray Assembly — VR2, Tilt Thru Toggle, Off-board

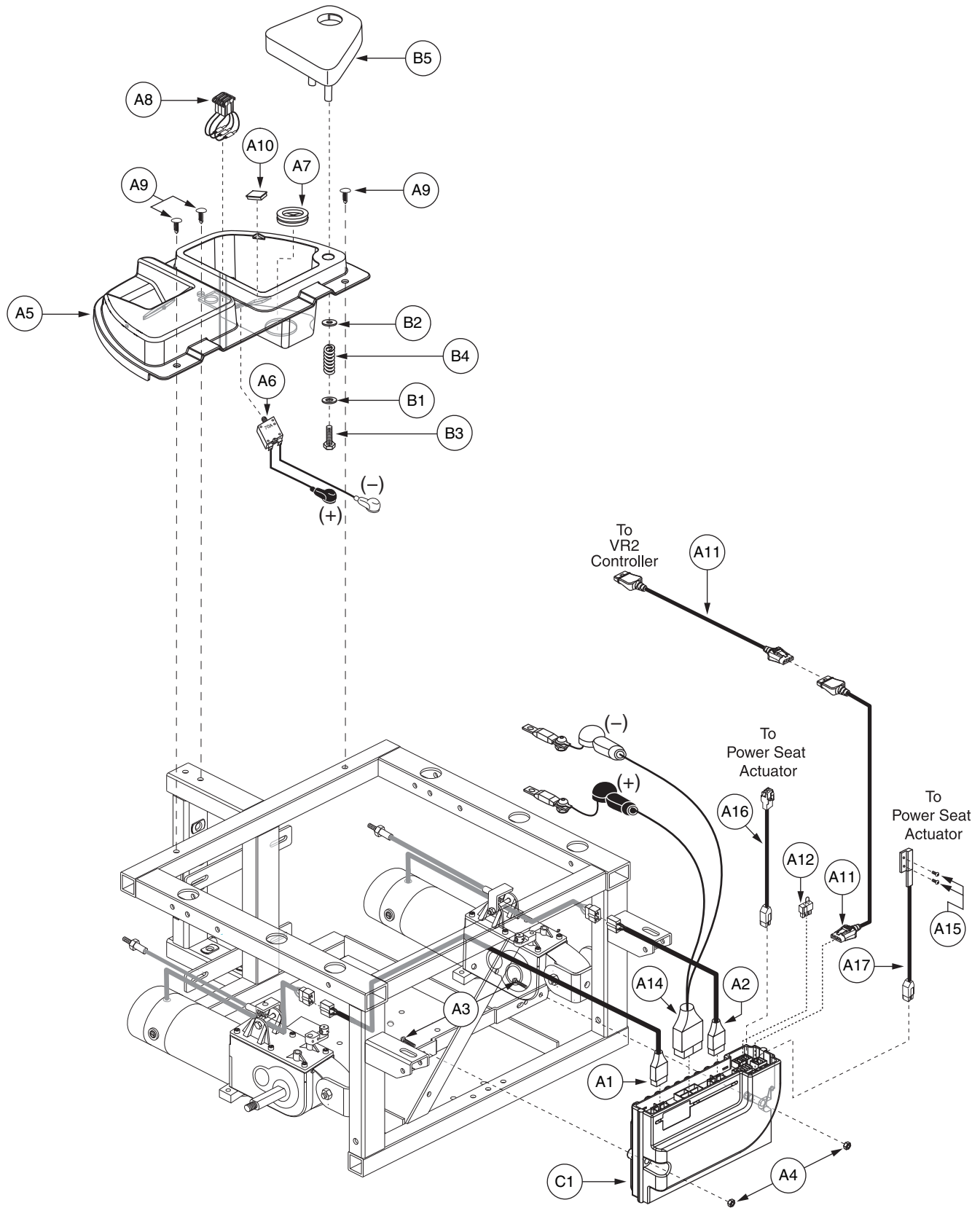


## VII. Utility Tray Assembly — VR2, Tilt Thru Toggle, Off-board

REF #	PART #	DESCRIPTION	QTY	Dealer \$	MSRP	11i
<b>A1 - C1</b>	<b>ELEASMB6004</b>	<b>ELECTRONIC,ASSY,VR2,70 AMP,HIGH SPEED/HIGH TORQUE MOTORS,OFFBOARD CHARGER,QUANTUM1420,TILT THRU TOGGLE</b>	<b>1</b>	<b>\$370.9</b>	<b>\$945.8</b>	
A1	DWR1420H008	ELECTRONIC,HARNESS,MOTOR,RIGHT,VR2,QUANTUM1420,H-1420-008	1	\$14.72	\$37.53	
A2	DWR1420H007	ELECTRONIC,HARNESS,MOTOR,LEFT,VR2,QUANTUM1420,H-1420-007	1	\$14.72	\$37.53	
A3	SCRASBH1052	SCREW,BHSCS,BLACK ZINC,10-32 X 1.50"	2	\$1.05	\$2.68	
A4	NUTNYLK1001	NUT,NYLOCK,BLACK ZINC,10-32	2	\$1.05	\$2.68	
A5	DWR1420E001	ELECTRONIC,UTILITY TRAY,PLASTIC,SWIVEL LID,CURTIS,E-1420-001	1	N/A	N/A	
A6	HARUSHD2128	ELECTRONIC,HARNESS,70AMP,JAZZY,CIRCUIT BREAKER WITH WIRES,BOOTS,H-1170-002	1	\$31.1	\$79.3	
A7	GRMRUB1008	GROMMET,RUBBER,1.125"ID X 1.875"OD,W/ FLAPS	1	\$1.05	\$2.68	
A8	HARUSHD2152	ELECTRONIC,HARNESS,7.5 AMP,THREE FUSE HOLDER,H-1420-003	1	\$12.3	\$31.36	
A9	PLSXTRE1000	RATCHET FASTENER,BLACK,NYLON,M8 HOLE SIZE X 15MM L	3	\$1.05	\$2.68	
A10	INDPART2046	PLUG,PLASTIC, SNAP-IN, AMP METER PLUG ADAPTER	1	\$1.05	\$2.68	
A11	DWR1010H128	ELECTRONIC,HARNESS,VR2 EXTENSION CABLE,H-1010-128,(P&G: SA77974)	2	\$7.56	\$19.28	
A12	DWR1420H016	ELECTRONIC,HARNESS,POWER TAKE OFF(PTO)/INHIBIT,VR2,JAZZY1420,H-1420-016	1	\$14.16	\$43.76	
A13	DWR1361H038	ELECTRONIC,HARNESS,RUN PLUG,SURE SEAL,SYNERGY TILT,H-1361-038	1	\$8.06	\$20.56	
<b>*A14</b>	<b>PLSTIE1004</b>	<b>TIE WRAP,BLACK,8"</b>	<b>5</b>	<b>\$1.05</b>	<b>\$2.68</b>	
A15	DWR1420H006	ELECTRONIC,HARNESS,BATTERY CABLE,VR2,QUANTUM1420,H-1420-006	1	\$31.47	\$80.26	
<b>B1 - B5</b>	<b>PLSASMB1065</b>	<b>ELECTRONIC,ASSY,SWIVEL LID</b>	<b>1</b>	<b>\$7.35</b>	<b>\$18.74</b>	
B1	WASINDV1000	WASHER,ZINC,0.50" ID X 1.00" OD X 0.125" TH	1	\$1.05	\$2.68	
B2	WASNYLN1018	WASHER,NYLON,0.500" ID X 1.125" OD X 0.0625" TH	1	\$1.05	\$2.68	
B3	SCRHHCS1529	SCREW,HHCS,ZINC,3/8-16 X 1.00",THREAD CUTTING	1	\$1.05	\$2.68	
B4	SPGRAW1036	SPRING,RAW, 1400 TRAY COVER	1	\$1.05	\$2.68	
B5	PLSINDV1087	TRAY, LID,SWIVEL	1	\$2.1	\$5.36	
C1	ELEASMB6071	CONTROLLER,VR2,ASSY,70 AMP,W/HIGH SPEED/HIGH TORQUE QUANTUM1420 PROGRAM	1	\$214.2	\$546.21	

**Notes :**

\*A14 Not shown.

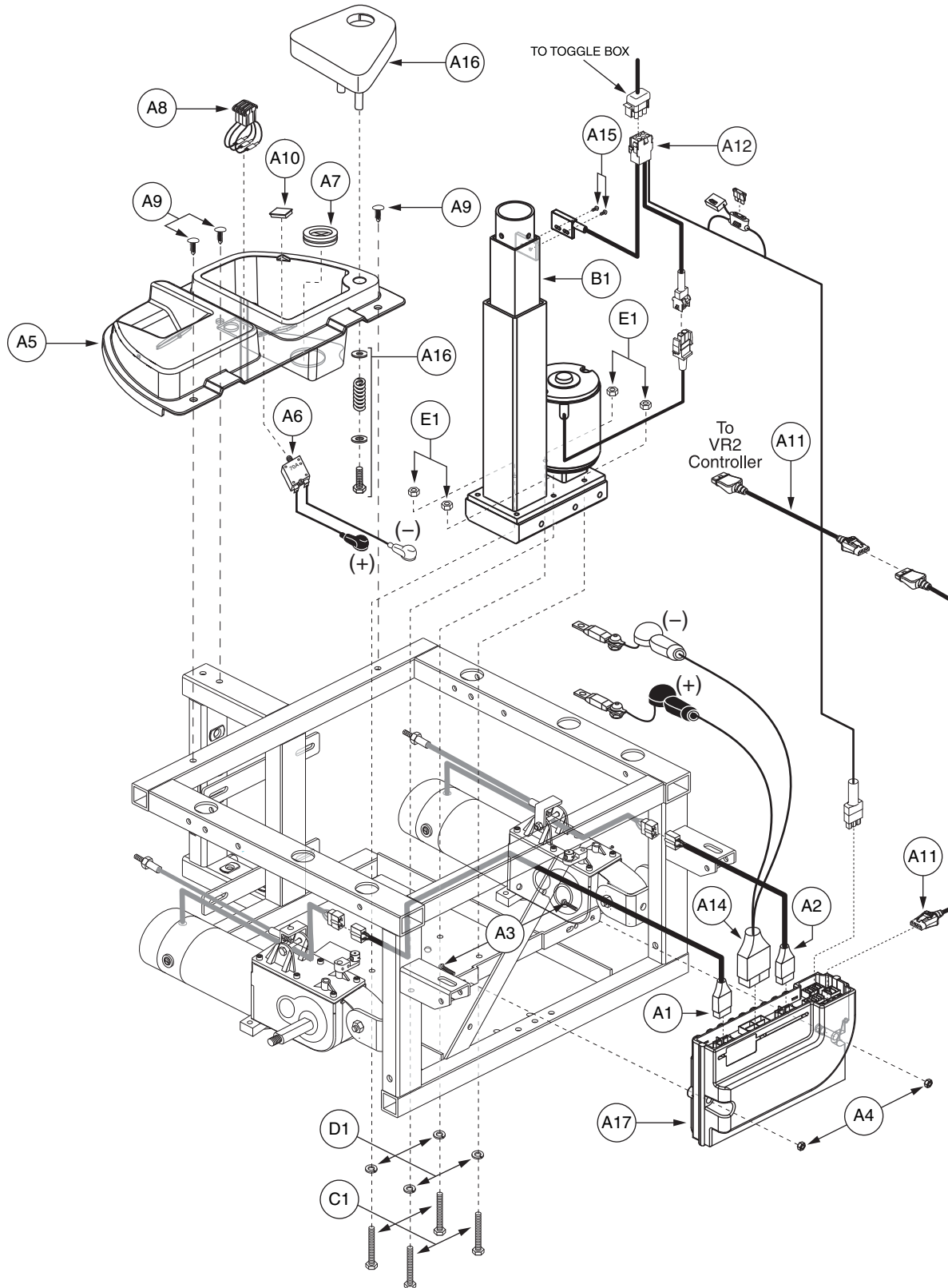


# VII. Utility Tray Assembly — VR2, Power Seat Thru Joystick, Off-board

REF #	PART #	DESCRIPTION	QTY	Dealer \$	MSRP	11i
<b>A1 - C1</b>	<b>ELEASMB6553</b>	<b>ELECTRONIC,ASSY,VR2,70 AMP,HIGH SPEED/HIGH TORQUE MOTORS,OFFBOARD CHARGER,QUANTUM1420,1/4 SPEED INHIBIT,POWER SEAT THRU JOYSTICK</b>	<b>1</b>	<b>N/A</b>	<b>N/A</b>	
A1	DWR1420H008	ELECTRONIC,HARNESS,MOTOR,RIGHT,VR2,QUANTUM1420,H-1420-008	1	\$14.72	\$37.53	
A2	DWR1420H007	ELECTRONIC,HARNESS,MOTOR,LEFT,VR2,QUANTUM1420,H-1420-007	1	\$14.72	\$37.53	
A3	SCRASBH1052	SCREW,BHSCS,BLACK ZINC,10-32 X 1.50"	2	\$1.05	\$2.68	
A4	NUTNYLK1001	NUT,NYLOCK,BLACK ZINC,10-32	2	\$1.05	\$2.68	
A5	DWR1420E001	ELECTRONIC,UTILITY TRAY,PLASTIC,SWIVEL LID,CURTIS,E-1420-001	1	N/A	N/A	
A6	HARUSHD2128	ELECTRONIC,HARNESS,70AMP,JAZZY,CIRCUIT BREAKER WITH WIRES,BOOTS,H-1170-002	1	\$31.1	\$79.3	
A7	GRMRUB1008	GROMMET,RUBBER,1.125"ID X 1.875"OD,W/ FLAPS	1	\$1.05	\$2.68	
A8	HARUSHD2152	ELECTRONIC,HARNESS,7.5 AMP,THREE FUSE HOLDER,H-1420-003	1	\$12.3	\$31.36	
A9	PLSXTRE1000	RATCHET FASTENER,BLACK,NYLON,M8 HOLE SIZE X 15MM L	3	\$1.05	\$2.68	
A10	INDPART2046	PLUG,PLASTIC, SNAP-IN, AMP METER PLUG ADAPTER	1	\$1.05	\$2.68	
A11	DWR1010H128	ELECTRONIC,HARNESS,VR2 EXTENSION CABLE,H-1010-128,(P&G: SA77974)	2	\$7.56	\$19.28	
A12	DWR1116H054	ELECTRONIC,HARNESS,RUN PLUG,VR2,H-1116-054	1	\$3.96	\$10.09	
<b>*A13</b>	<b>PLSTIE1004</b>	<b>TIE WRAP,BLACK,8"</b>	<b>5</b>	<b>\$1.05</b>	<b>\$2.68</b>	
A14	DWR1420H006	ELECTRONIC,HARNESS,BATTERY CABLE,VR2,QUANTUM1420,H-1420-006	1	\$31.47	\$80.26	
A15	SCRPTH1008	SCREW, PTH,BLACK ZINC,4-40 X 1/4	2	\$1.05	\$2.68	
A16	DWR1361H080	ELECTRONIC,HARNESS,POWER SEAT,VR2,H-1361-080	1	\$6.25	\$15.94	
A17	DWR1361H079	ELECTRONIC,HARNESS,POWER SEAT INHIBIT,VR2,H-1361-079	1	\$22.4	\$57.13	
<b>B1 - B5</b>	<b>PLSASMB1065</b>	<b>ELECTRONIC,ASSY,SWIVEL LID</b>	<b>1</b>	<b>\$7.35</b>	<b>\$18.74</b>	
B1	WASINDV1000	WASHER,ZINC,0.50" ID X 1.00" OD X 0.125" TH	1	\$1.05	\$2.68	
B2	WASNYLN1018	WASHER,NYLON,0.500" ID X 1.125" OD X 0.0625" TH	1	\$1.05	\$2.68	
B3	SCRHHCS1529	SCREW,HHCS,ZINC,3/8-16 X 1.00",THREAD CUTTING	1	\$1.05	\$2.68	
B4	SPGRAW1036	SPRING,RAW, 1400 TRAY COVER	1	\$1.05	\$2.68	
B5	PLSINDV1087	TRAY, LID,SWIVEL	1	\$2.1	\$5.36	
C1	ELEASMB6555	CONTROLLER,VR2,ASSY,70 AMP,W/HIGH SPEED/HIGH TORQUE QUANTUM1420 PROGRAM,POWER SEAT	1	N/A	N/A	

**Notes :**

\*A13 Not shown.

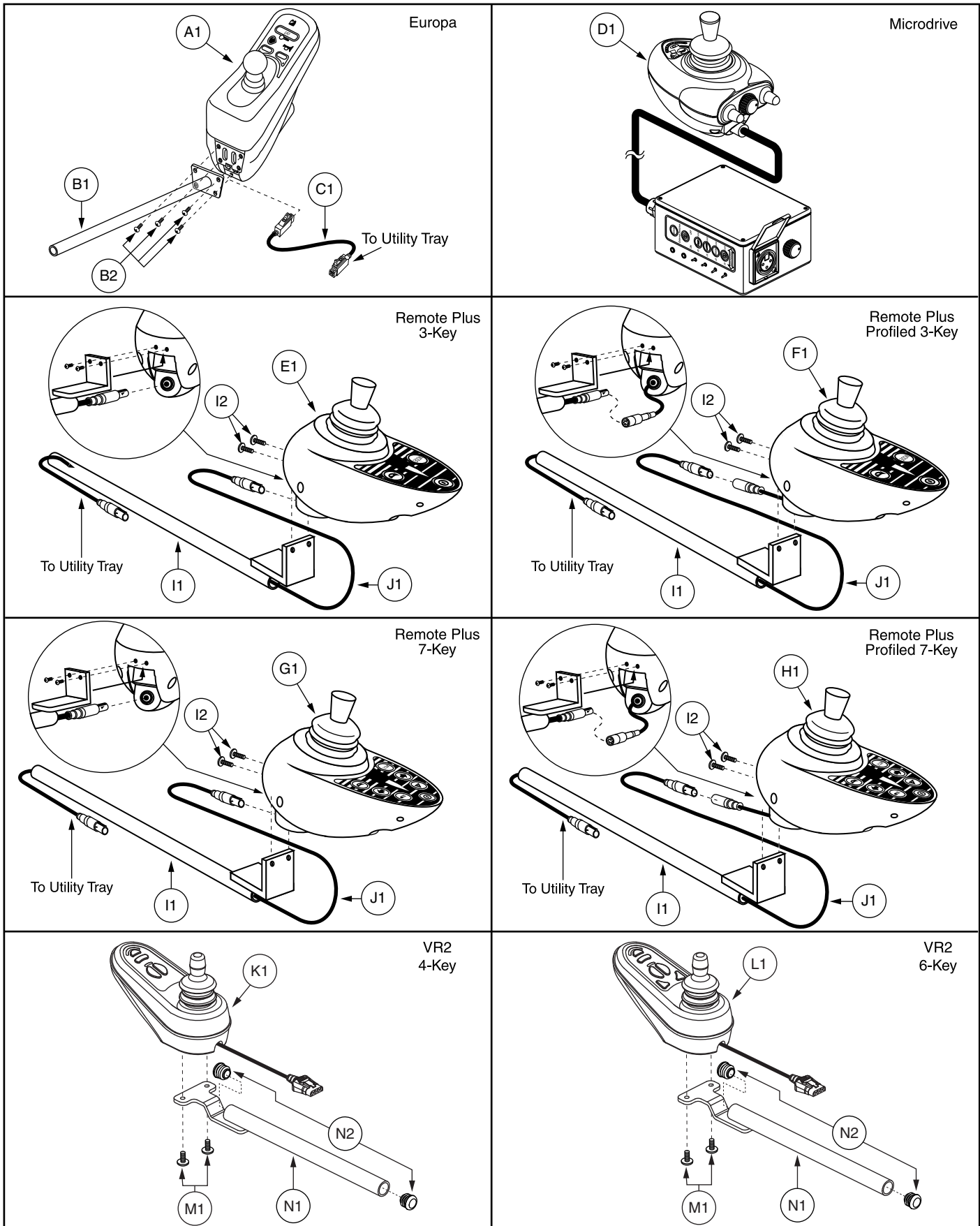


# VII. Utility Tray Assembly — VR2, Power Seat Thru Toggle, Off-board

REF #	PART #	DESCRIPTION	QTY	Dealer \$	MSRP	11i
A1 - A17	ELEASMB6820	ELECTRONIC,ASSY,VR2,70 AMP,HIGH SPEED/HIGH TORQUE MOTORS,OFFBOARD CHARGER,QUANTUM1420,1/4 SPEED INHIBIT,POWERSEAT THRU TOGGLE	1	N/A	N/A	
A1	DWR1420H008	ELECTRONIC,HARNESS,MOTOR,RIGHT,VR2,QUANTUM1420,H-1420-008	1	\$14.72	\$37.53	
A2	DWR1420H007	ELECTRONIC,HARNESS,MOTOR,LEFT,VR2,QUANTUM1420,H-1420-007	1	\$14.72	\$37.53	
A3	SCRASBH1052	SCREW,BHSCS,BLACK ZINC,10-32 X 1.50"	2	\$1.05	\$2.68	
A4	NUTNYLK1001	NUT,NYLOCK,BLACK ZINC,10-32	2	\$1.05	\$2.68	
A5	DWR1420E001	ELECTRONIC,UTILITY TRAY,PLASTIC,SWIVEL LID,CURTIS,E-1420-001	1	N/A	N/A	
A6	HARUSHD2128	ELECTRONIC,HARNESS,70AMP,JAZZY,CIRCUIT BREAKER WITH WIRES,BOOTS,H-1170-002	1	\$31.1	\$79.3	
A7	GRMRUB1008	GROMMET,RUBBER,1.125"ID X 1.875"OD,W/ FLAPS	1	\$1.05	\$2.68	
A8	HARUSHD2152	ELECTRONIC,HARNESS,7.5 AMP,THREE FUSE HOLDER,H-1420-003	1	\$12.3	\$31.36	
A9	PLSXTRE1000	RATCHET FASTENER,BLACK,NYLON,M8 HOLE SIZE X 15MM L	3	\$1.05	\$2.68	
A10	INDPART2046	PLUG,PLASTIC, SNAP-IN, AMP METER PLUG ADAPTER	1	\$1.05	\$2.68	
A11	DWR1010H128	ELECTRONIC,HARNESS,VR2 EXTENSION CABLE,H-1010-128,(P&G: SA77974)	2	\$7.56	\$19.28	
A12	DWR1265H036	ELECTRONIC,HARNESS,POWER SEAT 1/4 SPEED INHIBIT,HIGH AMP TOGGLE,VR2,QUANTUM 6000,H-1265-036	1	N/A	N/A	
<b>*A13</b>	<b>PLSTIE1004</b>	<b>TIE WRAP,BLACK,8"</b>	<b>5</b>	<b>\$1.05</b>	<b>\$2.68</b>	
A14	DWR1420H006	ELECTRONIC,HARNESS,BATTERY CABLE,VR2,QUANTUM1420,H-1420-006	1	\$31.47	\$80.26	
A15	SCRPTH1008	SCREW, PTH,BLACK ZINC,4-40 X 1/4	2	\$1.05	\$2.68	
A16	PLSASMB1065	ELECTRONIC,ASSY,SWIVEL LID	1	\$7.35	\$18.74	
A17	ELEASMB6555	CONTROLLER,VR2,ASSY,70 AMP,W/HIGH SPEED/HIGH TORQUE QUANTUM1420 PROGRAM,POWER SEAT	1	N/A	N/A	
B1	DWR1200E092	ACTUATOR,POWER SEAT,6" STROKE,FRICTION LOCK,E-1200-092	1	\$718.96	\$1833.34	
C1	SCRHHCS1248	SCREW,HHCS,BLACK ZINC,1/4-20 X 2.00",GRADE 8	4	\$1.05	\$2.68	
D1	WASBLK1001	WASHER,FLAT,BLACK ZINC,0.3125" ID X 0.75" OD X 0.0625"TH,1/4" USS	4	\$1.05	\$2.68	
E1	NUTNYLK1014	NUT,NYLOCK,BLACK ZINC,1/4-20	4	\$1.05	\$2.68	

**Notes :**

\*A13 Not shown.



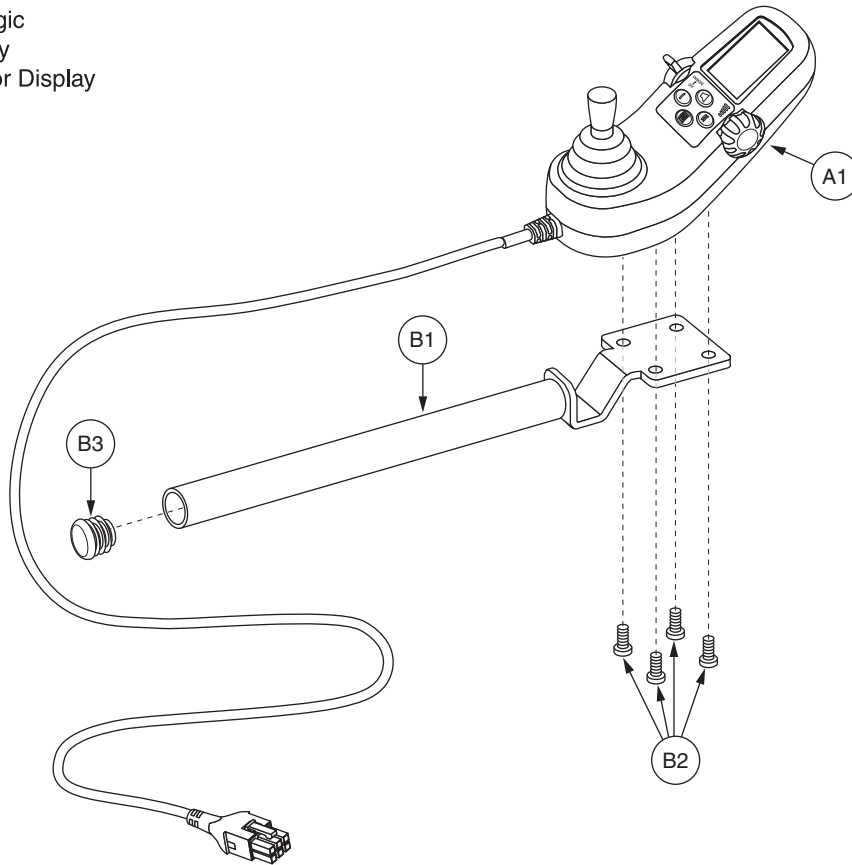


REF #	PART #	DESCRIPTION	QTY	Dealer \$	MSRP	11i
A1	CTLDC1032	CONTROLLER,DYNAMIC,JSTK,DX-REMG805	1	N/A	N/A	
B1 — B2	FRMASMB1789	FIXED INLINE JOYSTICK MOUNT,ASSY,EUROPA	1	\$7.35	\$18.74	
B1	DWG1200B270	MOUNTING BRACKET,CONTROLLER,DYNAMIC DX JOYSTICK,B-1200-027	1	N/A	N/A	
B2	SCRPPH1029	SCREW, PPH,BLACK ZINC,10-32 X 0.375"	4	\$1.05	\$2.68	
C1	HARUSHD2055	ELECTRONIC,HARNESS,1M LONG,DX BUS,DYNAMIC	1	\$27.72	\$70.69	
D1	CTLDC1369	CONTROLLER,MICRODRIVE REMOTE PLUS JOYSTICK MODULE,(P&G: D50470)	1	\$869.4	\$2216.97	
E1	CTLDC1112	CONTROLLER,JOYSTICK MODULE, REMOTE PLUS,3 KEY,SINGLE PROFILE,(P & G: D49671)	1	\$453.6	\$1156.68	
F1	CTLDC1368	CONTROLLER,JOYSTICK MODULE, REMOTE PLUS,3 KEY W/PROFILES,FLYING LEAD,(P&G D50524)	1	\$438.9	\$1119.2	
G1	CTLDC1062	CONTROLLER,JOYSTICK MODULE,ACCESSORY REMOTE PLUS,7 KEY,(LTS+ACT+HORN),(P&G: D49670)	1	\$478.8	\$1220.94	
H1	CTLDC1347	CONTROLLER,JOYSTICK MODULE,ACCESSORY REMOTE PLUS,7 KEY,W/PROFILES,(P&G:D49982)	1	\$478.8	\$1220.94	
I1 — I2	FRMASMB2066	FIXED INLINE JOYSTICK MOUNT,ASSY,REMOTE PLUS	1	\$10.5	\$26.78	
I1	DWR1200C103	MOUNTING BRACKET,JOYSTICK WELDMENT,REMOTE PLUS,INLINE,C-1200-103	1	\$8.4	\$21.42	
I2	SCRPPH1006	SCREW,PPH,BLACK ZINC,8-32 X 0.500",GRADE 2	2	\$1.05	\$2.68	
J1	HARUSHD2189	ELECTRONIC,HARNESS,1.16 LONG,REDEL CABLE, REMOTE PLUS, JOYSTICK TO TRAY	1	\$73.5	\$187.43	
K1	CTLDC1463	CONTROLLER,JOYSTICK MODULE,4 KEY,VR2,H-1111-015,(P&G: D50677)	1	\$151.2	\$385.56	
L1	CTLDC1498	CONTROLLER,JOYSTICK MODULE,6 KEY,VR2,H-1111-063,(P&G: D50680)	1	\$156.24	\$398.41	
M1 — N2	FRMASMB9532	JOYSTICK MOUNTING BRACKET,ASSY,GC/VR2 CONTROLLER,INLINE	1	\$3.55	\$9.05	
M1	SCRPPH1122	SCREW,PPH,BLACK ZINC,M5-.8 X 18MM	2	\$1.05	\$2.68	
N1 — N2	FRMASMB9533	JOYSTICK MOUNTING BRACKET,ASSY,GC/VR2 CONTROLLER,INLINE,W/END CAPS	1	\$4.74	\$12.08	
N1	DWR1010D281	MOUNTING BRACKET,JOYSTICK WELDMENT,GC,INLINE,D-1010-281	1	\$4.74	\$12.08	
N2	PROECAP1014	CAP,END,BLACK,PLASTIC,19MM OD,FITS 15MM ID TUBING,ROUND,B-9940-014	2	\$1.05	\$2.68	

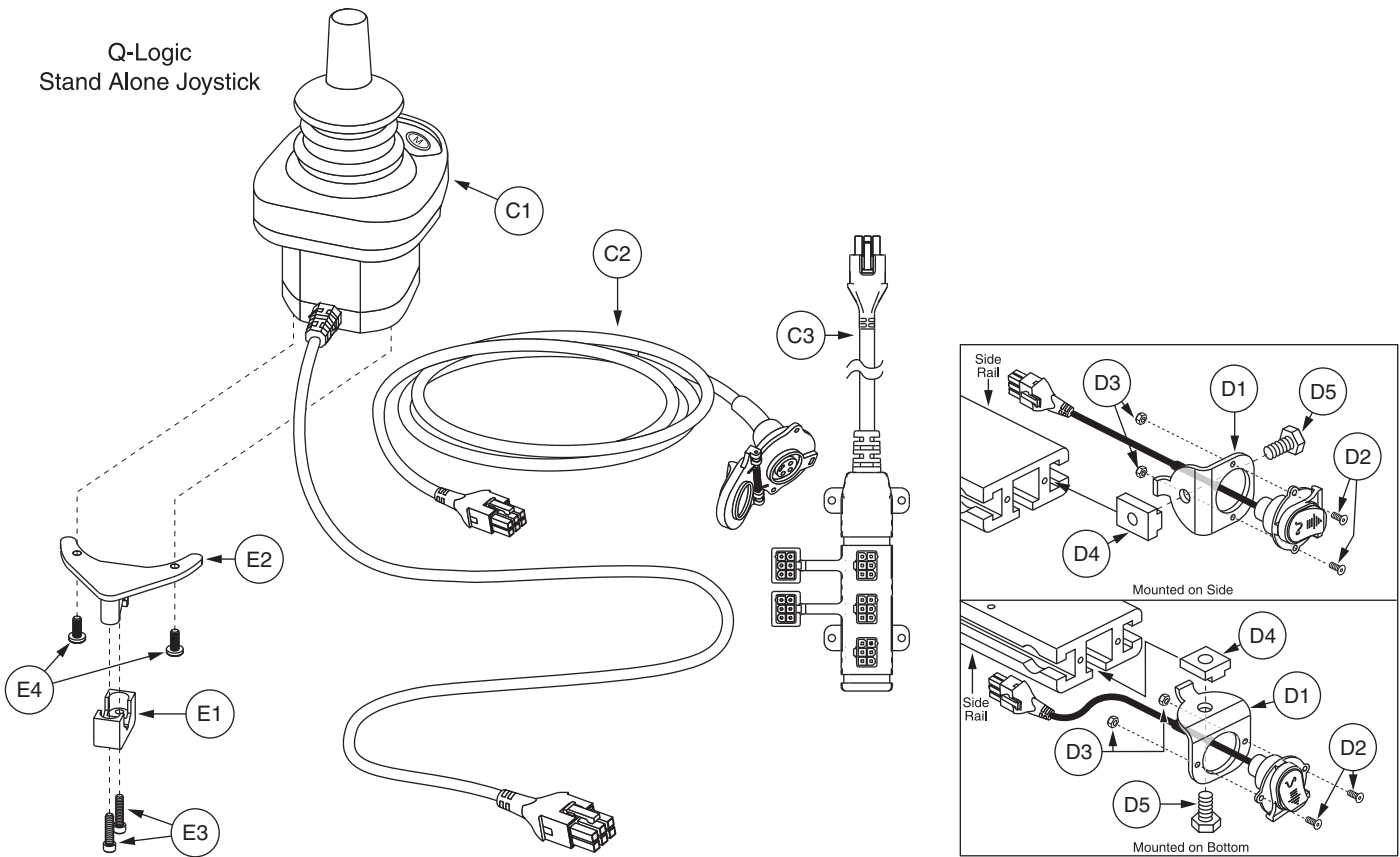
**Notes :**

The Remote Plus controllers are depicted with the same controller bracket, FRMASMB2066. The VR2 controllers are depicted with the same controller bracket, FRMASMB9532.

Q-Logic  
4-Key  
W/LCD Color Display



Q-Logic  
Stand Alone Joystick

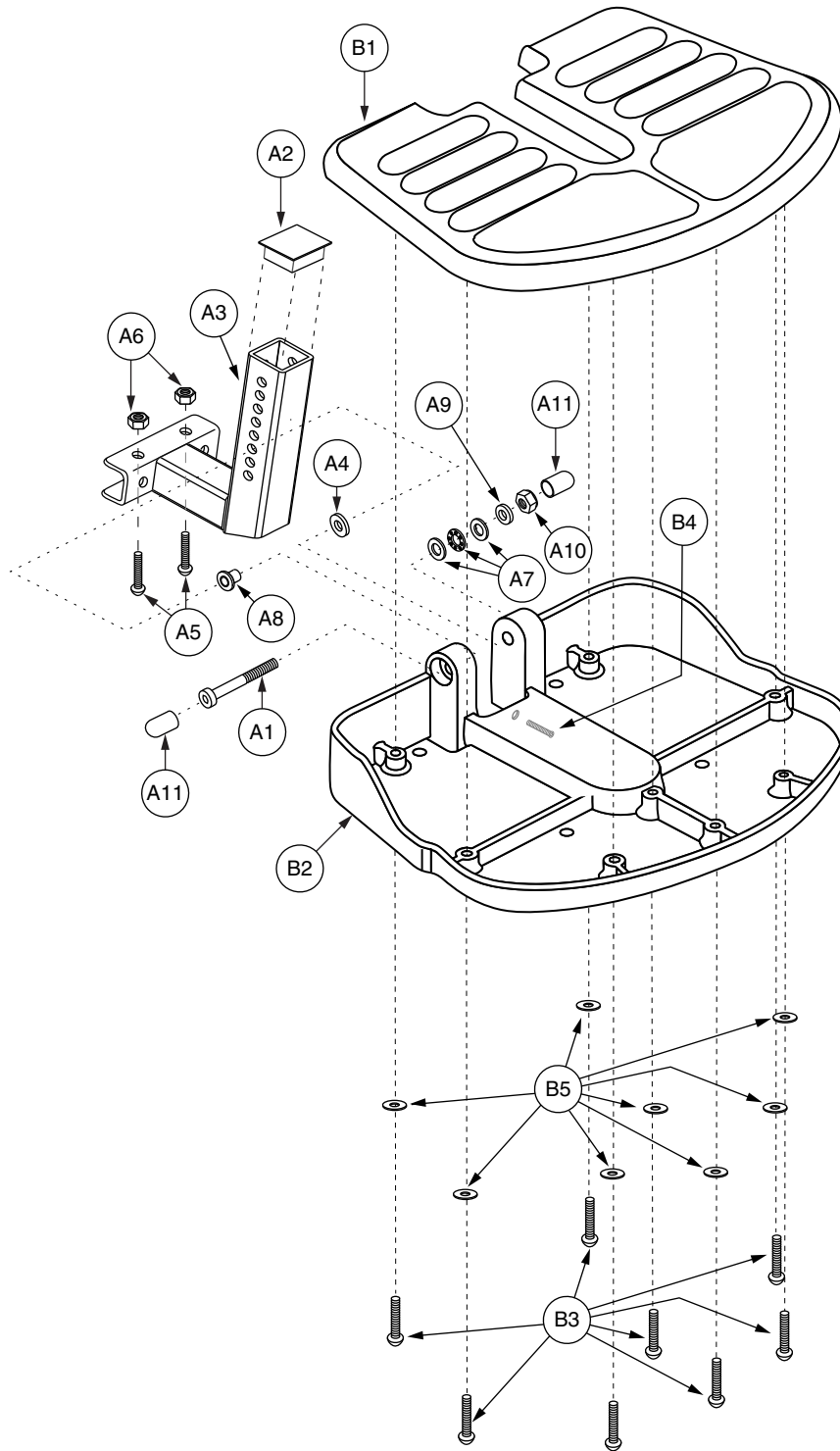


## VIII. Controller Assembly — Q-Logic

REF #	PART #	DESCRIPTION	QTY	Dealer \$	11i MSRP
<b>A1</b>	<b>CTLDC1467</b>	<b>CONTROLLER,JOYSTICK MODULE,Q-LOGIC,CURTIS,4 KEY,W/LCD COLOR DISPLAY,H-1111-022,(CURTIS: 17856700)</b>	<b>1</b>	<b>\$584.64</b>	<b>\$1490.83</b>
<b>B1 — B3</b>	<b>FRMASMB10617</b>	<b>JOYSTICK MOUNTING BRACKET,ASSY,CURTIS CONTROLLER,INLINE</b>	<b>1</b>	<b>\$19.87</b>	<b>\$50.67</b>
B1	DWR1010D317	MOUNTING BRACKET,CURTIS CONTROLLER,INLINE,D-1010-317	1	\$14.62	\$37.27
B2	SCRSHFH1015	SCREW,SHFH,BLACK ZINC,M5-.8 X 12MM,GRADE 10.9	4	\$1.05	\$2.68
B3	PROECAP1014	CAP,END,BLACK,PLASTIC,19MM OD,FITS 15MM ID TUBING,ROUND,B-9940-014	1	\$1.05	\$2.68
<b>C1 — D5</b>	<b>ELEASMB5205</b>	<b>CONTROLLER,ASSY,CURTIS,STAND ALONE JOYSTICK/ATTENDANT CONTROL</b>	<b>1</b>	<b>\$672.93</b>	<b>\$1715.97</b>
C1	CTLDC1469	CONTROLLER,JOYSTICK/ATTENDANT CONTROL MODULE,Q-LOGIC,CURTIS,STAND ALONE,H-1111-024,(CURTIS: 17859700)	1	\$327.6	\$835.38
C2	DWR1111H051	HARNESS,CHARGER/PROGRAMMER,1.0 METER,H-1111-051,(CURTIS: 17880700)	1	\$56.7	\$144.59
C3	DWR1111H053	HARNESS,MULTIPLIER BOX,0.3 METER,H-1111-053,(CURTIS: 17869700)	1	\$86.75	\$144.59
<b>D1 — D5</b>	<b>FRMASMB11156</b>	<b>MOUNTING BRACKET,ASSY,STAND ALONE JOYSTICK,SIDE RAIL MOUNT,C-1360-163</b>	<b>1</b>	<b>\$12.88</b>	<b>\$32.84</b>
D1	DWR1360C162	MOUNTING BRACKET,STAND ALONE JOYSTICK,SIDE RAIL MOUNT,C-1360-162	1	\$4.33	\$11.05
D2	SCRSHFH1114	SCREW,SHFH,BLACK ZINC,4-40 X 0.50"	2	\$1.05	\$2.68
D3	NUTNYLK1009	NUT,NYLOCK,BLACK ZINC,4-40	2	\$1.05	\$2.68
D4	DWR1360A004	T-NUT,5/16-18 X 0.875",A-1360-004	1	\$3.3	\$5.5
D5	SCRHHCS1301	SCREW,HHCS,BLACK ZINC,5/16-18 X 0.50",GRADE 8,W/NYLON PATCH	1	\$1.05	\$2.68
<b>E1 — E4</b>	<b>FRMASMB10454</b>	<b>JOYSTICK MOUNTING BRACKET,ASSY,CURTIS STAND ALONE JOYSTICK,MIDLINE,C-1010-263</b>	<b>1</b>	<b>\$52.64</b>	<b>\$134.24</b>
E1	DWR1000B332	MOUNTING BRACKET, TOP CLAMP,RJM MOUNT BRACKET,B-1000-332	1	N/A	N/A
E2	DWR1010C258	MOUNTING BRACKET WELDMENT,CURTIS STAND ALONE JOYSTICK,MIDLINE,C-1010-258	1	N/A	N/A
E3	SCRSHCS1171	SCREW,SHCS,BLACK ZINC,6-32 X 0.625"	2	\$1.05	\$2.68
E4	SCRPPH1165	SCREW,PPH,BLACK ZINC,M4-.7 X 8MM,P-TYPE	2	\$1.05	\$2.68

# IX. Footrest Assembly — 11.62”

Generation #4. Retrofits all previous generations.

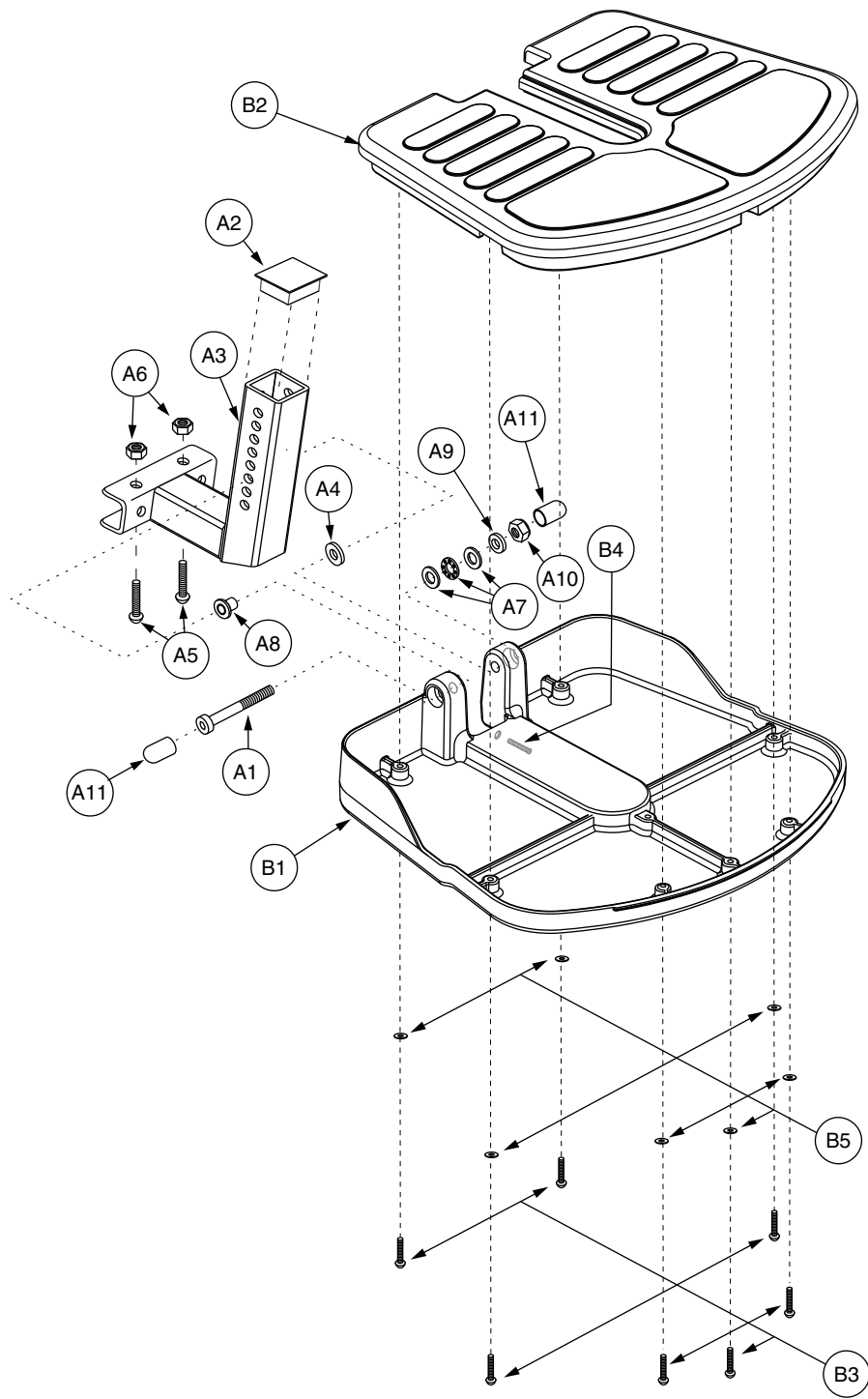


REF #	PART #	DESCRIPTION	QTY	Dealer \$	MSRP	11i
A1 — B5	FRMASMB2359	FOOT PLATFORM,ASSY,GRID STYLE,11.62"D,W/MOUNTING BRACKET,JAZZY1100	1	\$94.5	\$240.98	
A1 — A11	FRMASMB2361	MOUNTING BRACKET,ASSY,FOOTPLATE,GRID STYLE,JAZZY1100	1	\$16.8	\$42.84	
A1	SCRSHCS1170	SCREW,SHCS,BLACK ZINC,M8-1.25 X 80MM,GRADE 12.9	1	\$1.05	\$2.68	
A2	PROECAP1030	END CAP,PLASTIC,1.25" SQUARE,FITS 12 GAUGE TUBE,RIBBED	1	\$1.05	\$2.68	
A3	DWR1200C145	MOUNTING BRACKET,5.87" X 6.95",FOLDING,SMALL (9.55"),GRID STYLE	1	\$16.8	\$42.84	
A4	WASNLYN1013	WASHER,NYLON,0.3125" ID X 0.875" OD X 0.125" TH	1	\$1.05	\$2.68	
A5	SCRASBH1007	SCREW,BHSCS,BLACK ZINC,1/4-20 X 1.50",GRADE 8	2	\$1.05	\$2.68	
A6	NUTNJAM1014	NUT,NYLOCK JAM,BLACK ZINC,1/4-20	2	\$1.05	\$2.68	
*A7	BRGSBTH1000	BEARING,BALL THRUST,STAINLESS STEEL,0.3125" ID X 0.625" OD X 0.193" TH,(MCMaster-CARR: 6655K34)	1	\$1.05	\$2.68	
A8	DWR1000B458	FOOT PLATFORM MOUNTING SLEEVE,FLANGE,STEEL,B-1000-458	1	\$1.05	\$2.68	
A9	DWR1000B459	SPACER,STEEL,0.328" ID X 0.50" OD X 0.076" TH,B-1000-459	1	\$1.05	\$2.68	
A10	NUTNJAM1020	NUT,NYLOCK JAM,BLACK ZINC,M8-1.25	1	\$1.05	\$2.68	
A11	PROECAP1080	CAP,VINYL,0.50" ID,FITS 0.50" - 0.5625" OD,0.50" H,(MCMaster CARR: 9753K44)	2	\$1.05	\$2.68	
B1 — B5	FRMASMB2117	FOOT PLATFORM,ASSY,GRID STYLE,11.62"D,W/MAT & HARDWARE,E-1000-105	1	\$60.69	\$154.76	
B1	DWR1000E103	MAT,FOOT PLATFORM,11.62"D,GRID STYLE,E-1000-103	1	\$10.08	\$25.7	
B2	DWR1000E104	FOOT PLATFORM BASE,ALUMINUM,11.62"D,GRID STYLE,E-1000-104	1	N/A	N/A	
B3	SCRPPH1080	SCREW,PPH,BLACK ZINC,8-32 X 0.75"	8	\$1.05	\$2.68	
B4	SCRSETS1090	SCREW,SET,BLACK ZINC,3/8-24 X 1.50",W/NYLON PATCH	1	\$1.05	\$2.68	
B5	WASSAE1008	WASHER,SAE,BLACK ZINC,#8,0.1875" ID X 0.4375" OD X 0.0468" TH	8	\$1.05	\$2.68	

**Notes :**

Generation #4. Retrofits all previous generations.

\*A7 The item is a quantity of one but is illustrated as three parts for assembly purposes.

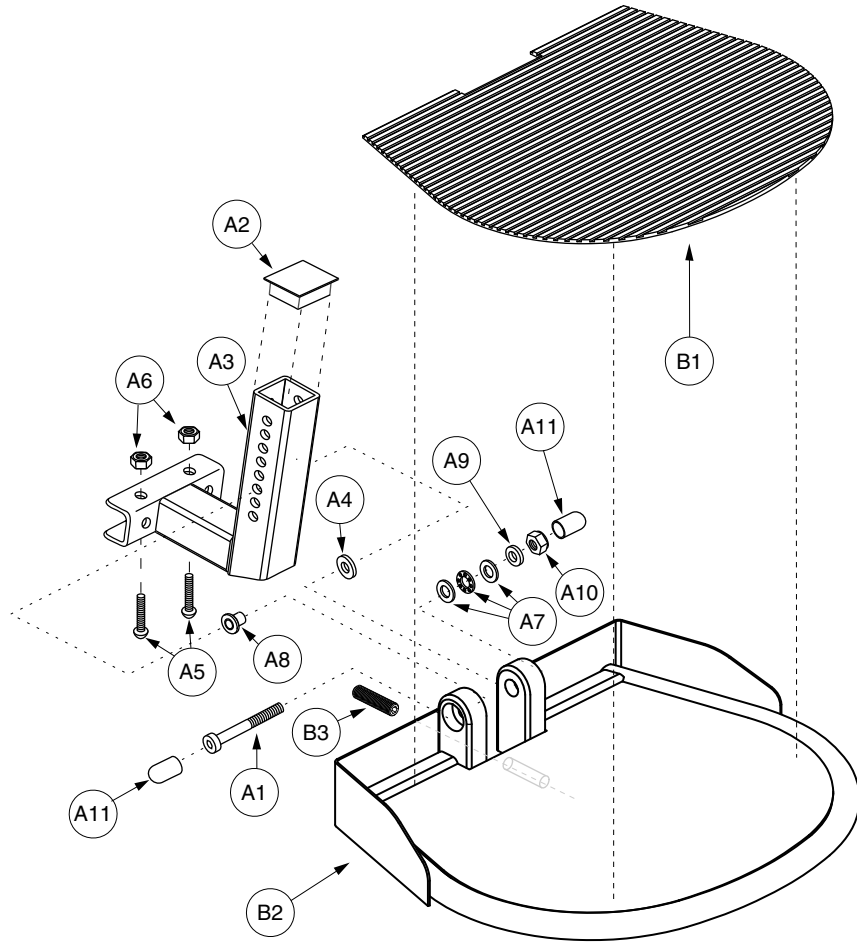


# IX. Footrest Assembly — 9.55”

REF #	PART #	DESCRIPTION	QTY	Dealer \$	MSRP	11i
<b>A1 - B5</b>	<b>FRMASMB2360</b>	<b>FOOT PLATFORM,ASSY,GRID STYLE,9.55"D,W/MOUNTING BRACKET,JAZZY1100</b>	<b>1</b>	<b>\$94.5</b>	<b>\$240.98</b>	
<b>A1 - A11</b>	<b>FRMASMB2361</b>	<b>MOUNTING BRACKET,ASSY,FOOTPLATE,GRID STYLE,JAZZY1100</b>	<b>1</b>	<b>\$16.8</b>	<b>\$42.84</b>	
A1	SCRSHCS1170	SCREW,SHCS,BLACK ZINC,M8-1.25 X 80MM,GRADE 12.9	1	\$1.05	\$2.68	
A2	PROECAP1030	END CAP,PLASTIC,1.25" SQUARE,FITS 12 GAUGE TUBE,RIBBED	1	\$1.05	\$2.68	
A3	DWR1200C145	MOUNTING BRACKET,5.87" X 6.95",FOLDING,SMALL (9.55"),GRID STYLE	1	\$16.8	\$42.84	
A4	WASNYLN1013	WASHER,NYLON,0.3125" ID X 0.875" OD X 0.125" TH	1	\$1.05	\$2.68	
A5	SCRHHCS1007	SCREW, HHCS,M6-1.0 X 12MM,G2	2	\$1.05	\$2.68	
A6	NUTNJAM1014	NUT,NYLOCK JAM,BLACK ZINC,1/4-20	2	\$1.05	\$2.68	
*A7	BRGSBTH1000	BEARING,BALL THRUST,STAINLESS STEEL,0.3125" ID X 0.625" OD X 0.193" TH,(MCMaster-CARR: 6655K34)	1	\$1.05	\$2.68	
A8	DWR1000B458	FOOT PLATFORM MOUNTING SLEEVE,FLANGE,STEEL,B-1000-458	1	\$1.05	\$2.68	
A9	DWR1000B459	SPACER,STEEL,0.328" ID X 0.50" OD X 0.076" TH,B-1000-459	1	\$1.05	\$2.68	
A10	NUTNJAM1020	NUT,NYLOCK JAM,BLACK ZINC,M8-1.25	1	\$1.05	\$2.68	
A11	PROECAP1080	CAP,VINYL,0.50" ID,FITS 0.50" - 0.5625" OD,0.50" H,(MCMaster CARR: 9753K44)	2	\$1.05	\$2.68	
<b>B1 - B5</b>	<b>FRMASMB2295</b>	<b>FOOT PLATFORM,ASSY,GRID STYLE,9.55"D,W/MAT &amp; HARDWARE,E-1000-108</b>	<b>1</b>	<b>\$26.64</b>	<b>\$67.92</b>	
B1	DWR1000E106	FOOT PLATFORM BASE,ALUMINUM,9.55"D,GRID STYLE,E-1000-106	1	N/A	N/A	
B2	DWR1000E107	MAT,FOOT PLATFORM,RUBBER,9.55"D,GRID STYLE,E-1000-107	1	\$11.55	\$29.45	
B3	SCRPPH1080	SCREW,PPH,BLACK ZINC,8-32 X 0.75"	7	\$1.05	\$2.68	
B4	SCRSETS1090	SCREW,SET,BLACK ZINC,3/8-24 X 1.50",W/NYLON PATCH	1	\$1.05	\$2.68	
B5	WASSAE1008	WASHER,SAE,BLACK ZINC,#8,0.1875" ID X 0.4375" OD X 0.0468" TH	7	\$1.05	\$2.68	

**Notes :**

\*A7 The item is a quantity of one but is illustrated as three parts for assembly purposes.



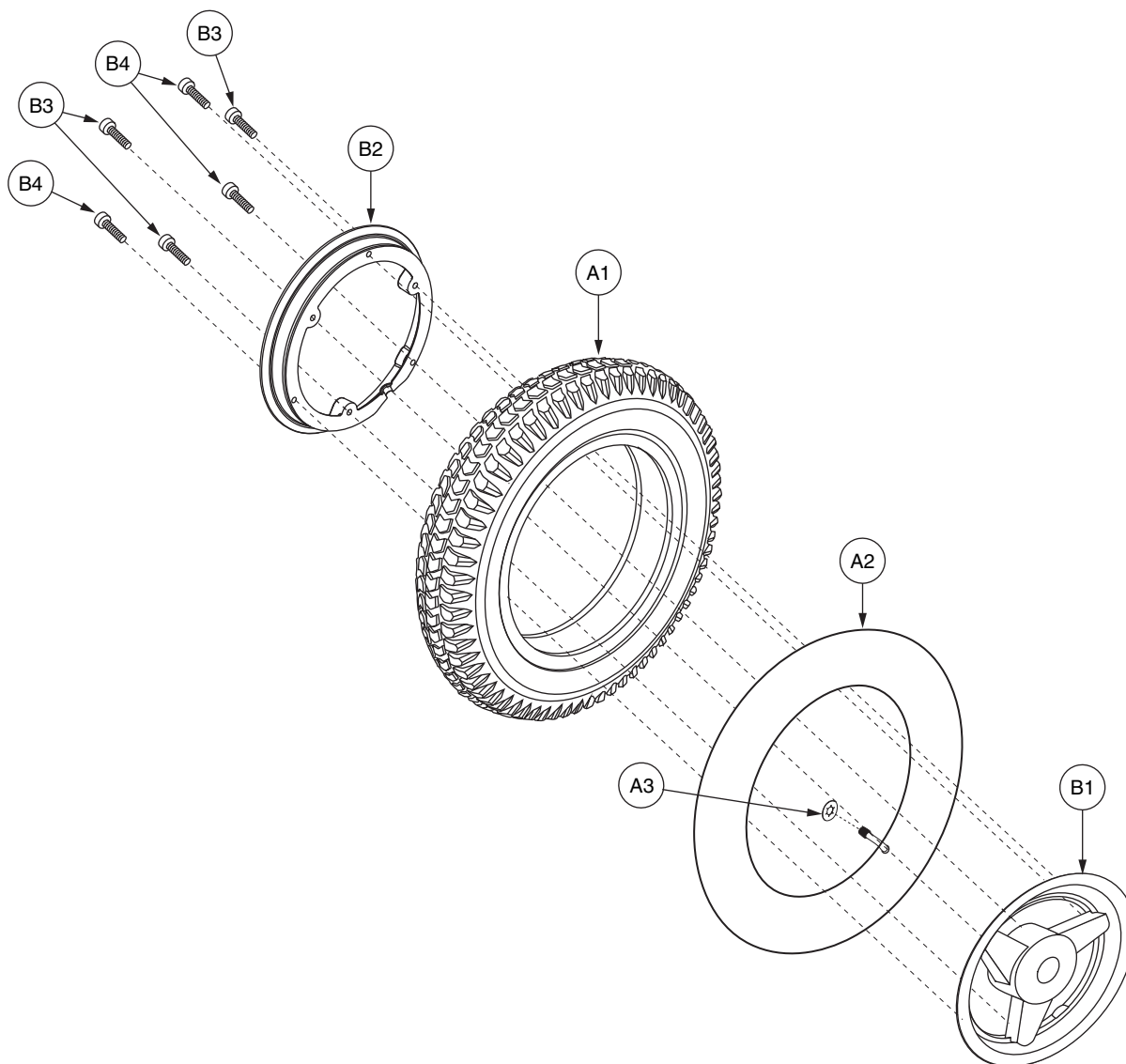


# IX. Footrest Assembly — Heavy Duty

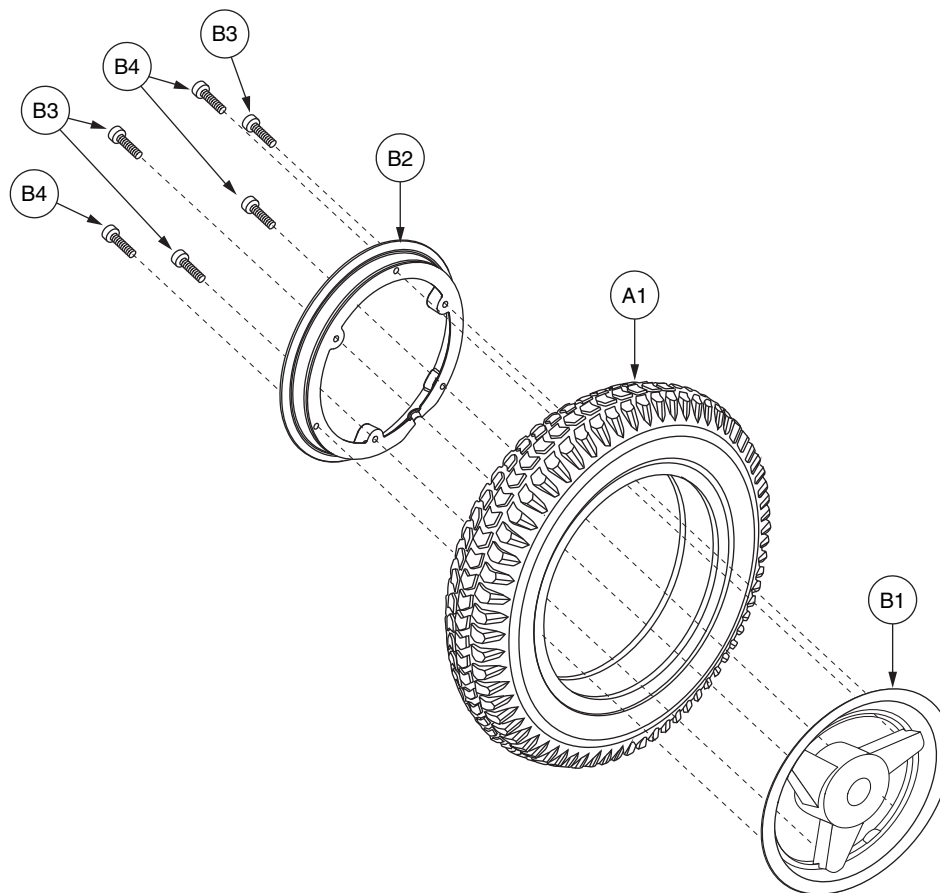
REF #	PART #	DESCRIPTION	QTY	Dealer \$	MSRP	11i
A1 — B3	FRMASMB7939	FOOT PLATFORM,ASSY,HD STEEL,11"D,W/MOUNTING BRACKET,JAZZY1170/1400/1420	1	\$140.7	\$358.79	
A1 — A11	FRMASMB2361	MOUNTING BRACKET,ASSY,FOOTPLATE,GRID STYLE,JAZZY1100	1	\$16.8	\$42.84	
A1	SCRSHCS1170	SCREW,SHCS,BLACK ZINC,M8-1.25 X 80MM,GRADE 12.9	1	\$1.05	\$2.68	
A2	PROECAP1030	END CAP,PLASTIC,1.25" SQUARE,FITS 12 GAUGE TUBE,RIBBED	1	\$1.05	\$2.68	
A3	DWR1200C145	MOUNTING BRACKET,5.87" X 6.95",FOLDING,SMALL (9.55"),GRID STYLE	1	\$16.8	\$42.84	
A4	WASNYLN1013	WASHER,NYLON,0.3125" ID X 0.875" OD X 0.125" TH	1	\$1.05	\$2.68	
A5	SCRASBH1007	SCREW,BHSCS,BLACK ZINC,1/4-20 X 1.50",GRADE 8	2	\$1.05	\$2.68	
A6	NUTNJAM1014	NUT,NYLOCK JAM,BLACK ZINC,1/4-20	2	\$1.05	\$2.68	
*A7	BRGSBTH1000	BEARING,BALL THRUST,STAINLESS STEEL,0.3125" ID X 0.625" OD X 0.193" TH,(MCMaster-CARR: 6655K34)	1	\$1.05	\$2.68	
A8	DWR1000B458	FOOT PLATFORM MOUNTING SLEEVE,FLANGE,STEEL,B-1000-458	1	\$1.05	\$2.68	
A9	DWR1000B459	SPACER,STEEL,0.328" ID X 0.50" OD X 0.076" TH,B-1000-459	1	\$1.05	\$2.68	
A10	NUTNJAM1020	NUT,NYLOCK JAM,BLACK ZINC,M8-1.25	1	\$1.05	\$2.68	
A11	PROECAP1080	CAP,VINYL,0.50" ID,FITS 0.50" - 0.5625" OD,0.50" H,(MCMaster CARR: 9753K44)	2	\$1.05	\$2.68	
B1 — B3	FRMASMB7887	FOOT PLATFORM,ASSY,HD STEEL,13"W,11"D,W/MAT & HARDWARE,E-1000-191	1	\$118.65	\$302.56	
B1	DWR1000C376	MAT,RUBBER,BLACK,VINYL,V-RIB,C-1000-376	1	N/A	N/A	
B2	DWR1000E183	FOOT PLATFORM WELDMENT,HD,LARGE,E-1000-183	1	N/A	N/A	
B3	SCRSETS1090	SCREW,SET,BLACK ZINC,3/8-24 X 1.50",W/NYLON PATCH	1	\$1.05	\$2.68	

**Notes :**

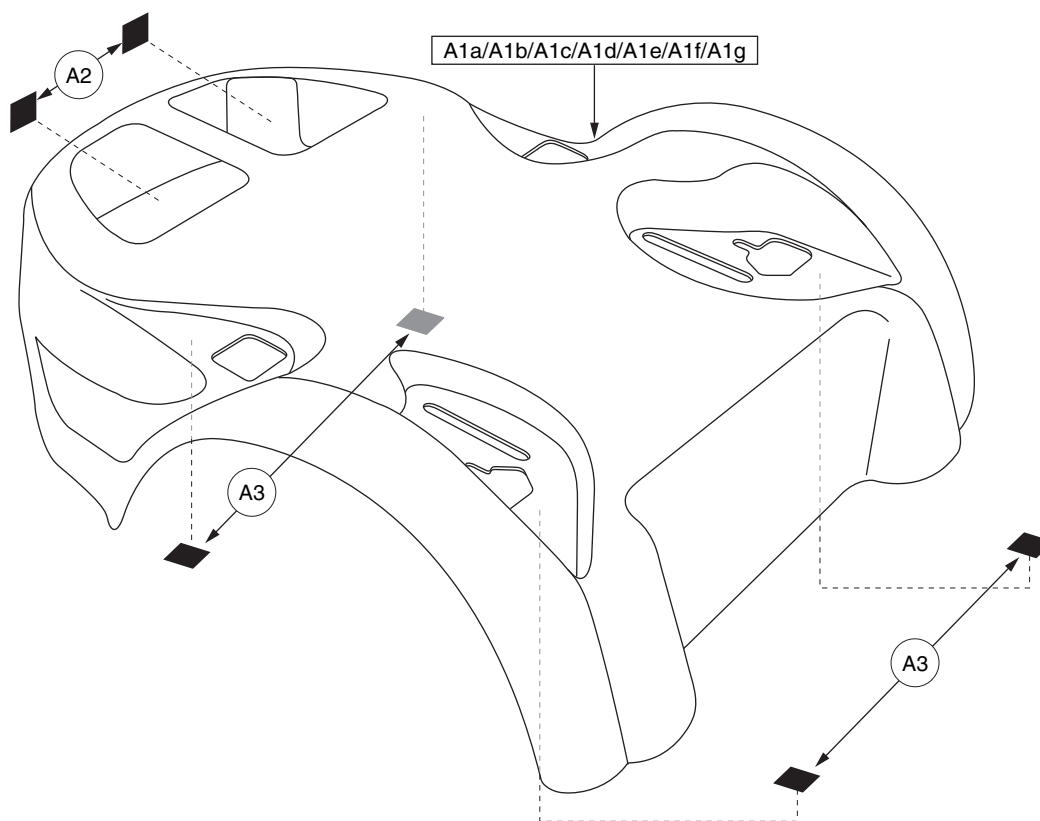
\*A7 The item is a quantity of one but is illustrated as three parts for assembly purposes.



REF #	PART #	DESCRIPTION	QTY	Dealer \$	MSRP	11i
<b>A1 — B4</b>	<b>WHLASMB1228</b>	<b>WHEEL, ASSY, PNEUMATIC DRIVE WHEEL, ALUMINUM MAG, 3.00-10, TRI-SPOKE, C-131N-5</b>	<b>2</b>	<b>\$68.25</b>	<b>\$174.04</b>	
A1	TIRPNEU1023	TIRE, PNEUMATIC, 4 PLY, 3.00-10, C-131N-5	1	\$22.05	\$56.23	
A2	TUBSTND1021	TUBE, 3.00-10, STRIGHT VALVE W/CAP	1	\$6.3	\$16.07	
A3	DWR7700A010	SLIP COVER, VALVE STEM, 35PSI, 2.4 BAR, MAX RATING, A-7700-010	1	\$1.05	\$2.68	
<b>B1 — B4</b>	<b>WHLASMB1229</b>	<b>WHEEL, ASSY, RIM, ALUMINUM, 10", TRI-SPOKE, 300-10 X 16</b>	<b>1</b>	<b>\$31.5</b>	<b>\$80.33</b>	
B1	DWG1400D060	WHEEL, RIM, ALUMINUM, 10", TRI-SPOKE, OUTER, (LENCO: A10PR-F)	1	\$22.05	\$56.23	
B2	DWG1400D050	WHEEL, RIM, ALUMINUM, 10", TRI-SPOKE, INNER, (LENCO: A10PR-R)	1	\$9.45	\$24.1	
B3	SCRSHCS1120	SCREW, SHCS, BLACK ZINC, 1/4-20 X 1.00", W/NYLON PATCH	3	\$1.05	\$2.68	
B4	SCRSHCS1121	SCREW, SHCS, BLACK ZINC, 1/4-20 X 1.25", W/NYLON PATCH	3	\$1.05	\$2.68	



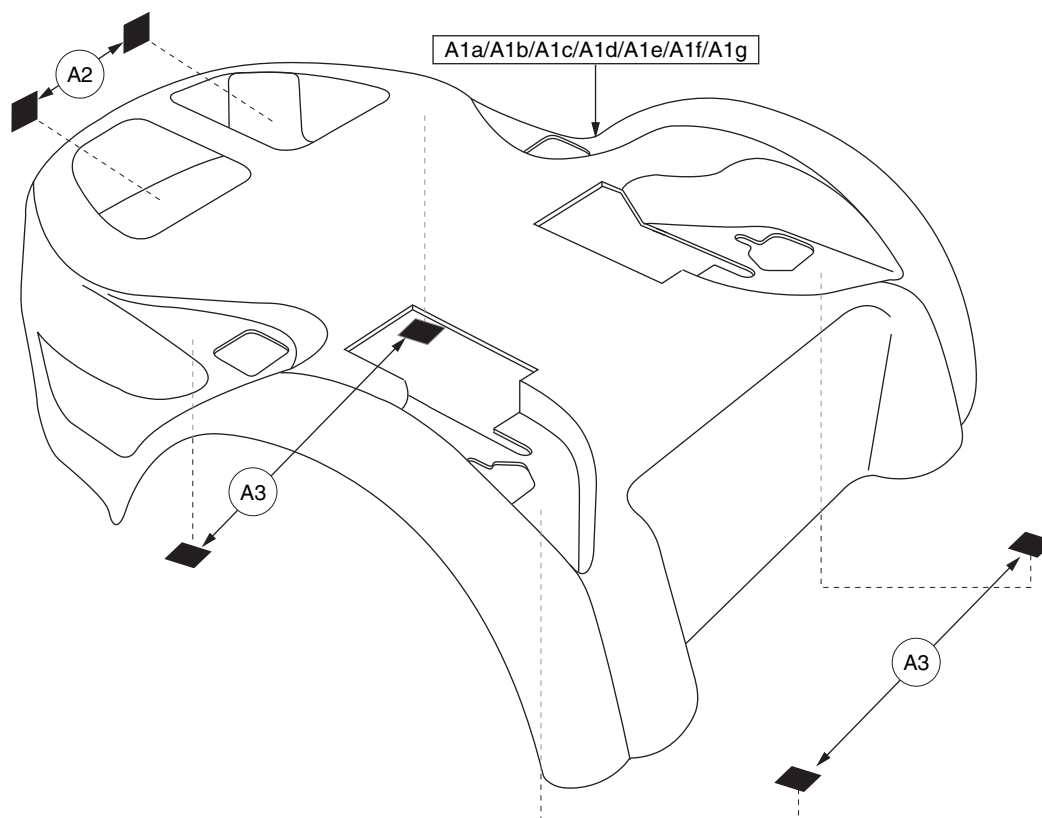
REF #	PART #	DESCRIPTION	QTY	Dealer \$	MSRP	11i
<b>A1 — B4</b>	<b>WHLASMB1262</b>	<b>WHEEL,ASSY,FLAT FREE W/INSERT DRIVE WHEEL,300-10,TRI-SPOKE,C-131N-5</b>	<b>2</b>	<b>\$114.45</b>	<b>\$291.85</b>	
A1	TIRSOLI1022	TIRE,W/FLAT FREE INSERT,300-10 X 16",C-131N-5	1	\$72.45	\$184.75	
<b>B1 — B4</b>	<b>WHLASMB1229</b>	<b>WHEEL,ASSY,RIM,ALUMINUM,10",TRI-SPOKE, 300-10 X 16</b>	<b>1</b>	<b>\$31.5</b>	<b>\$80.33</b>	
B1	DWG1400D060	WHEEL,RIM,ALUMINUM,10",TRI-SPOKE, OUTER,(LENCO: A10PR-F)	1	\$22.05	\$56.23	
B2	DWG1400D050	WHEEL,RIM,ALUMINUM,10",TRI-SPOKE, INNER,(LENCO: A10PR-R)	1	\$9.45	\$24.1	
B3	SCRSHCS1120	SCREW,SHCS,BLACK ZINC,1/4-20 X 1.00",W/NYLON PATCH	3	\$1.05	\$2.68	
B4	SCRSHCS1121	SCREW,SHCS,BLACK ZINC,1/4-20 X 1.25",W/NYLON PATCH	3	\$1.05	\$2.68	



REF #	PART #	DESCRIPTION	QTY	Dealer \$	MSRP	11i
<b>A1a — A3</b>	<b>SHDASMB2062</b>	<b>SHROUD,ASSY,CHAMPAGNE,JAZZY1420</b>	1	\$126	\$321.3	
A1a	SHDPNTD1337	SHROUD,PAINTED,CHAMPAGNE,JAZZY1420	1	N/A	N/A	
<b>A1b — A3</b>	<b>SHDASMB2063</b>	<b>SHROUD,ASSY,RED,JAZZY1420</b>	1	\$126	\$321.3	
A1b	SHDPNTD1344	SHROUD,PAINTED,RED,JAZZY1420	1	N/A	N/A	
<b>A1c — A3</b>	<b>SHDASMB2064</b>	<b>SHROUD,ASSY,VIPER BLUE,JAZZY1420</b>	1	\$126	\$321.3	
A1c	SHDPNTD1346	SHROUD,PAINTED,VIPER BLUE,JAZZY1420	1	N/A	N/A	
<b>A1d — A3</b>	<b>SHDASMB2065</b>	<b>SHROUD,ASSY,COLORBOOK WHITE,JAZZY1420</b>	1	\$159.6	\$406.98	
A1d	SHDPNTD1338	SHROUD,PAINTED,COLORBOOK WHITE,JAZZY1420	1	N/A	N/A	
<b>A1e — A3</b>	<b>SHDASMB2249</b>	<b>SHROUD,ASSY,ONYX BLACK,JAZZY1420</b>	1	\$126	\$321.3	
A1e	SHDPNTD1342	SHROUD,PAINTED,ONYX BLACK,JAZZY1420	1	N/A	N/A	
<b>A1f — A3</b>	<b>SHDASMB2258</b>	<b>SHROUD,ASSY,CUSTOM COLOR,JAZZY1420</b>	1	N/A	N/A	
A1f	SHDPNTD2626	SHROUD,PAINTED,CUSTOM COLOR,JAZZY1420	1	N/A	N/A	
<b>A1g — A3</b>	<b>SHDASMB4506</b>	<b>SHROUD,ASSY,ORANGE,JAZZY1420</b>	1	\$156.45	\$398.95	
A1g	SHDPNTD2691	SHROUD,PAINTED,ORANGE,JAZZY1420	1	N/A	N/A	
A2	VELHOOK1000	REUSABLE FASTENER,HOOK,1" X 1",W/ADHESIVE BACK	2	\$1.05	\$2.68	
A3	VELLTCH1000	REUSABLE FASTENER,LOOP,1",W/ADHESIVE BACK	4	\$1.05	\$2.68	

**Notes :**

Custom color option available. Please contact Pride Technical Service for more information. Top-level assemblies contain illustrated painted shrouds designated with corresponding lower-case extensions. Painted shrouds are not available individually. The assembly must be purchased. Parts without lower-case extensions will be included in all top-level assemblies.



REF #	PART #	DESCRIPTION	QTY	Dealer \$	MSRP	11i
<b>A1a — A3</b>	<b>SHDASMB3808</b>	<b>SHROUD,ASSY,CHAMPAGNE,MODIFIED FOR SYNERGY TILT,JAZZY1420</b>	<b>1</b>	<b>\$101.85</b>	<b>\$259.72</b>	
A1a	SHDPNTD2400	SHROUD,PAINTED,CHAMPAGNE,MODIFIED SYNERGY TILT,JAZZY1420	1	\$110.25	\$281.14	
<b>A1b — A3</b>	<b>SHDASMB3809</b>	<b>SHROUD, ASSY, JAZZY1420, GRAY, MODIFIED FOR SYNERGY TILT</b>	<b>1</b>	<b>\$101.85</b>	<b>\$259.72</b>	
A1b	SHDMOD1042	SHROUD, MODIFIED FOR SYNERGY TILT, MAIN, JAZZY1420, GRAY	1	N/A	N/A	
<b>A1c — A3</b>	<b>SHDASMB3811</b>	<b>SHROUD, ASSY, JAZZY1420, CANDY APPLE RED, MODIFIED FOR SYNERGY TILT</b>	<b>1</b>	<b>\$145.95</b>	<b>\$372.17</b>	
A1c	SHDPNTD2403	SHROUD,PAINTED,RED,MODIFIED SYNERGY TILT,JAZZY1420	1	\$153.3	\$390.92	
<b>A1d — A3</b>	<b>SHDASMB3812</b>	<b>SHROUD, ASSY, JAZZY1420, VIPER BLUE, MODIFIED FOR SYNERGY TILT</b>	<b>1</b>	<b>\$101.85</b>	<b>\$259.72</b>	
A1d	SHDPNTD2404	SHROUD,PAINTED,VIPER BLUE,MODIFIED SYNERGY TILT,JAZZY1420	1	\$110.25	\$281.14	
<b>A1e — A3</b>	<b>SHDASMB3816</b>	<b>SHROUD, ASSY, JAZZY1420, ONYX BLACK, MODIFIED FOR SYNERGY TILT</b>	<b>1</b>	<b>\$101.85</b>	<b>\$259.72</b>	
A1e	SHDPNTD2408	SHROUD,PAINTED,ONYX BLACK,MODIFIED FOR SYNERGY TILT,MAIN,JAZZY1420	1	\$110.25	\$281.14	
<b>A1f — A3</b>	<b>SHDASMB4387</b>	<b>SHROUD,ASSY,CUSTOM COLOR,MODIFIED FOR SYNERGY TILT,JAZZY1420</b>	<b>1</b>	<b>N/A</b>	<b>N/A</b>	
A1f	SHDPNTD2627	SHROUD,PAINTED,CUSTOM COLOR,MODIFIED FOR SYNERGY TILT,MAIN,JAZZY1420	1	N/A	N/A	
<b>A1g — A3</b>	<b>SHDASMB4507</b>	<b>SHROUD,ASSY,ORANGE,MODIFIED SYNERGY TILT,JAZZY1420</b>	<b>1</b>	<b>\$165.9</b>	<b>\$423.05</b>	
A1g	SHDPNTD2692	SHROUD,PAINTED,ORANGE,MODIFIED FOR SYNERGY TILT,MAIN,JAZZY1420	1	N/A	N/A	
A2	VELHOOK1000	REUSABLE FASTENER,HOOK,1" X 1",W/ADHESIVE BACK	2	\$1.05	\$2.68	
A3	VELLTCH1000	REUSABLE FASTENER,LOOP,1",W/ADHESIVE BACK	4	\$1.05	\$2.68	

**Notes :**

Custom color option available. Please contact Quantum Technical Service for more information. Top-level assemblies contain illustrated painted shrouds designated with corresponding lower-case extensions. Painted shrouds are not available individually. The assembly must be purchased. Parts without lower-case extensions will be included in all top-level assemblies.

## XII. Owner's Package

REF #	PART #	DESCRIPTION	QTY	Dealer \$	MSRP	11i
*N/A	INDASMB1030	OWNER'S PACKAGE,ASSY,JAZZY1420/QUANTUM1420	1	\$10.5	\$26.78	
*N/A	PROZBAG1003	BAG,10"L X 12"W X 2MM,ZIPLOCK	1	\$1	\$3	
*N/A	PLSTIE1004	TIE WRAP,BLACK,8"	5	\$1.05	\$2.68	
*N/A	INFMANU1206	MANUAL,OWNER'S,JAZZY1420	1	\$5.25	\$13.39	
*N/A	INFINFB1137	MANUAL,OWNER'S,WARRANTY CARD,ENGLISH	1	N/A	N/A	
*N/A	INFINFB1841	MANUAL,INSTALLATION INSTRUCTIONS,CONTROLLER CABLE ROUTING,CONTOURED SEAT	1	\$1.05	\$2.68	
*N/A	DWR1020L003	HANG TAG,FULLY RECHARGE BATTERY BEFORE INITIAL USE,6-1/4" X 3-3/8",L-1020-003	1	\$1.05	\$2.68	

### Notes :

\*N/A Not applicable.

### XIII. Decal Package — Jazzy 1420

#### Decal Package — Jazzy 1420, High Torque

REF #	PART #	DESCRIPTION	QTY	Dealer \$	MSRP	11i
*N/A	DECASMB1106	DECAL,ASSY,JAZZY1420, DOMESTIC	1	\$2.1	\$5.36	
*N/A	DWG1000L010	DECAL,CAUTION - OPERATIONAL INSTRUCTION,ARM COVER	1	\$1.05	\$2.68	
*N/A	DWR1010L003	DECAL,BATTERY CONNECTION, JAZZY1100/1104/1120/1170	1	N/A	N/A	
*N/A	DWR1000L034	DECAL,FREEWHEEL WARNING,ENGLISH	1	\$1	\$3	
*N/A	DWR1000L025	DECAL,POWERCHAIR,US AND FOREIGN PATENTS PENDING,DOMESTIC,L-1000-025	1	\$1	\$3	
*N/A	DWR1234L799	DECAL,ICON,1" X 2.5",WEATHER/MANUAL/LOOSE GARMENT,L-1234-799	1	\$1.05	\$2.68	
*N/A	DWR1000L014	DECAL,EMI-RFI,20V/M,2001,L-1000-014	1	\$1.05	\$2.68	
*N/A	DWR1235L026	DECAL,NAME,JAZZY1420,L-1235-026	1	N/A	N/A	
*N/A	DWR1000L060	DECAL,WARNING,MAXIMUM WEIGHT CAPACITY, 500LBS/225KG	1	\$1.05	\$2.68	
*N/A	DWR1234L624	DECAL,ICON,WARNING,CONTROLLER CORD PLACEMENT,ENGLISH,L-1234-624	1	\$1.05	\$2.68	
*N/A	DWR1234L957	DECAL,WARNING,DEFLATE TIRE COMPLETELY,L-1234-957	2	\$1.05	\$2.68	
*N/A	DWR1000L129	DECAL,WARNING,SEALED "LEAD ACID (SLA) OR GEL-CEL BATTERIES ONLY"	1	\$1.05	\$2.68	

#### Decal Package — Jazzy 1420, High Speed

REF #	PART #	DESCRIPTION	QTY	Dealer \$	MSRP	11i
*N/A	DECASMB1107	DECAL,ASSY,JAZZY1420 (HIGH SPEED), DOMESTIC	1	\$2.1	\$5.36	
*N/A	DWG1000L010	DECAL,CAUTION - OPERATIONAL INSTRUCTION,ARM COVER	1	\$1.05	\$2.68	
*N/A	DWR1000L034	DECAL,FREEWHEEL WARNING,ENGLISH	1	\$1	\$3	
*N/A	DWR1000L025	DECAL,POWERCHAIR,US AND FOREIGN PATENTS PENDING,DOMESTIC,L-1000-025	1	\$1	\$3	
*N/A	DWR1234L799	DECAL,ICON,1" X 2.5",WEATHER/MANUAL/LOOSE GARMENT,L-1234-799	1	\$1.05	\$2.68	
*N/A	DWR1000L014	DECAL,EMI-RFI,20V/M,2001,L-1000-014	1	\$1.05	\$2.68	
*N/A	DWR1235L026	DECAL,NAME,JAZZY1420,L-1235-026	1	N/A	N/A	
*N/A	DWR1000L058	DECAL,WARNING,MAXIMUM WEIGHT CAPACITY, 425LBS/191.25KG	1	\$1.05	\$2.68	
*N/A	DWR1010L003	DECAL,BATTERY CONNECTION, JAZZY1100/1104/1120/1170	1	N/A	N/A	
*N/A	DWR1234L624	DECAL,ICON,WARNING,CONTROLLER CORD PLACEMENT,ENGLISH,L-1234-624	1	\$1.05	\$2.68	
*N/A	DWR1234L957	DECAL,WARNING,DEFLATE TIRE COMPLETELY,L-1234-957	2	\$1.05	\$2.68	
*N/A	DWR1000L129	DECAL,WARNING,SEALED "LEAD ACID (SLA) OR GEL-CEL BATTERIES ONLY"	1	\$1.05	\$2.68	

**Notes :**

\*N/A Not applicable.

### XIII. Decal Package — Quantum 1420

#### Decal Package — Quantum 1420, High Torque

REF #	PART #	DESCRIPTION	QTY	Dealer \$	MSRP	11i
*N/A	DECASMB1976	DECAL,ASSY,QUANTUM1420,DOMESTIC	1	N/A	N/A	
*N/A	DWR1235L061	DECAL,BATTERY WARNINGS,L-1235-061	1	\$1.05	\$2.68	
*N/A	DECINDV1236	DECAL,1 3/4"L X 1/2"H,ELECTRICAL APPROVAL,C-TICK DECAL,SILVER,L-1234-569	1	\$1.05	\$2.68	
*N/A	DECINDV1041	DECAL,CE,ROUND,5/8",WHITE/BLACK,L-1234-190	1	\$1.05	\$2.68	
*N/A	DWR1234L799	DECAL,ICON,1" X 2.5",WEATHER/MANUAL/LOOSE GARMENT,L-1234-799	1	\$1.05	\$2.68	
*N/A	DWG1000L010	DECAL,CAUTION - OPERATIONAL INSTRUCTION,ARM COVER	1	\$1.05	\$2.68	
*N/A	DWR1000L034	DECAL,FREEWHEEL WARNING,ENGLISH	1	\$1	\$3	
*N/A	DWR1000L025	DECAL,POWERCHAIR,US AND FOREIGN PATENTS PENDING,DOMESTIC,L-1000-025	1	\$1	\$3	
*N/A	DWR1000L014	DECAL,EMI-RFI,20V/M,2001,L-1000-014	1	\$1.05	\$2.68	
*N/A	DWR1235L025	DECAL,NAME,QUANTUM 1420,L-1235-025	1	N/A	N/A	
*N/A	DWR1010L003	DECAL,BATTERY CONNECTION, JAZZY1100/1104/1120/1170	1	N/A	N/A	
*N/A	DWR1000L060	DECAL,WARNING,MAXIMUM WEIGHT CAPACITY, 500LBS/225KG	1	\$1.05	\$2.68	
*N/A	DWR1234L624	DECAL,ICON,WARNING,CONTROLLER CORD PLACEMENT,ENGLISH,L-1234-624	1	\$1.05	\$2.68	
*N/A	DWR1234L957	DECAL,WARNING,DEFLATE TIRE COMPLETELY,L-1234-957	2	\$1.05	\$2.68	

#### Decal Package — Quantum 1420, High Speed

REF #	PART #	DESCRIPTION	QTY	Dealer \$	MSRP	11i
*N/A	DECASMB1977	DECAL,ASSY,QUANTUM1420 (HIGH SPEED),DOMESTIC	1	N/A	N/A	
*N/A	DWG1000L010	DECAL,CAUTION - OPERATIONAL INSTRUCTION,ARM COVER	1	\$1.05	\$2.68	
*N/A	DWR1000L034	DECAL,FREEWHEEL WARNING,ENGLISH	1	\$1	\$3	
*N/A	DWR1000L025	DECAL,POWERCHAIR,US AND FOREIGN PATENTS PENDING,DOMESTIC,L-1000-025	1	\$1	\$3	
*N/A	DWR1234L799	DECAL,ICON,1" X 2.5",WEATHER/MANUAL/LOOSE GARMENT,L-1234-799	1	\$1.05	\$2.68	
*N/A	DWR1000L014	DECAL,EMI-RFI,20V/M,2001,L-1000-014	1	\$1.05	\$2.68	
*N/A	DWR1235L025	DECAL,NAME,QUANTUM 1420,L-1235-025	1	N/A	N/A	
*N/A	DWR1010L003	DECAL,BATTERY CONNECTION, JAZZY1100/1104/1120/1170	1	N/A	N/A	
*N/A	DWR1000L058	DECAL,WARNING,MAXIMUM WEIGHT CAPACITY, 425LBS/191.25KG	1	\$1.05	\$2.68	
*N/A	DWR1234L624	DECAL,ICON,WARNING,CONTROLLER CORD PLACEMENT,ENGLISH,L-1234-624	1	\$1.05	\$2.68	
*N/A	DWR1234L957	DECAL,WARNING,DEFLATE TIRE COMPLETELY,L-1234-957	2	\$1.05	\$2.68	
*N/A	DWR1235L061	DECAL,BATTERY WARNINGS,L-1235-061	1	\$1.05	\$2.68	
*N/A	DECINDV1236	DECAL,1 3/4"L X 1/2"H,ELECTRICAL APPROVAL,C-TICK DECAL,SILVER,L-1234-569	1	\$1.05	\$2.68	
*N/A	DECINDV1041	DECAL,CE,ROUND,5/8",WHITE/BLACK,L-1234-190	1	\$1.05	\$2.68	

**Notes :**

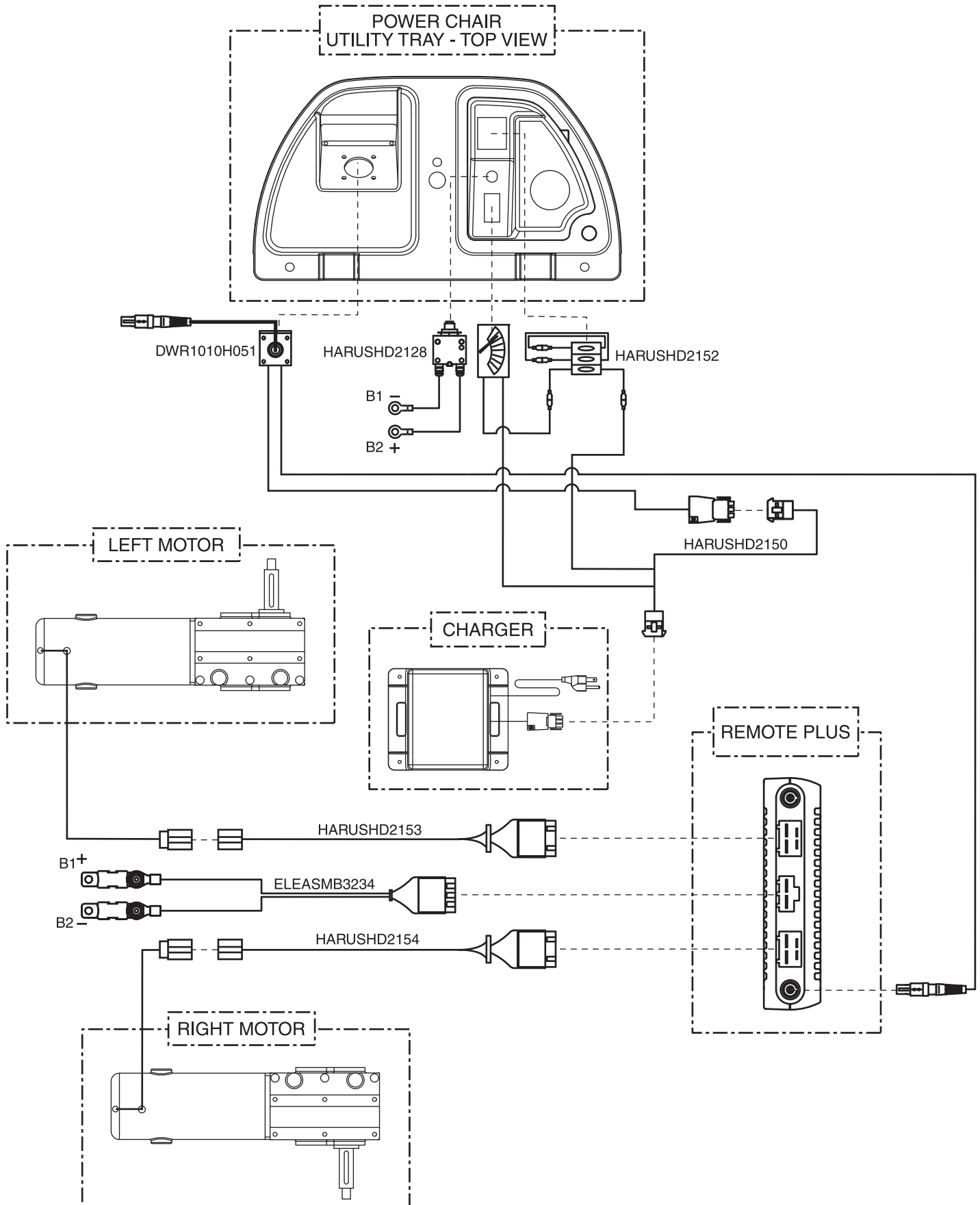
\*N/A Not applicable.



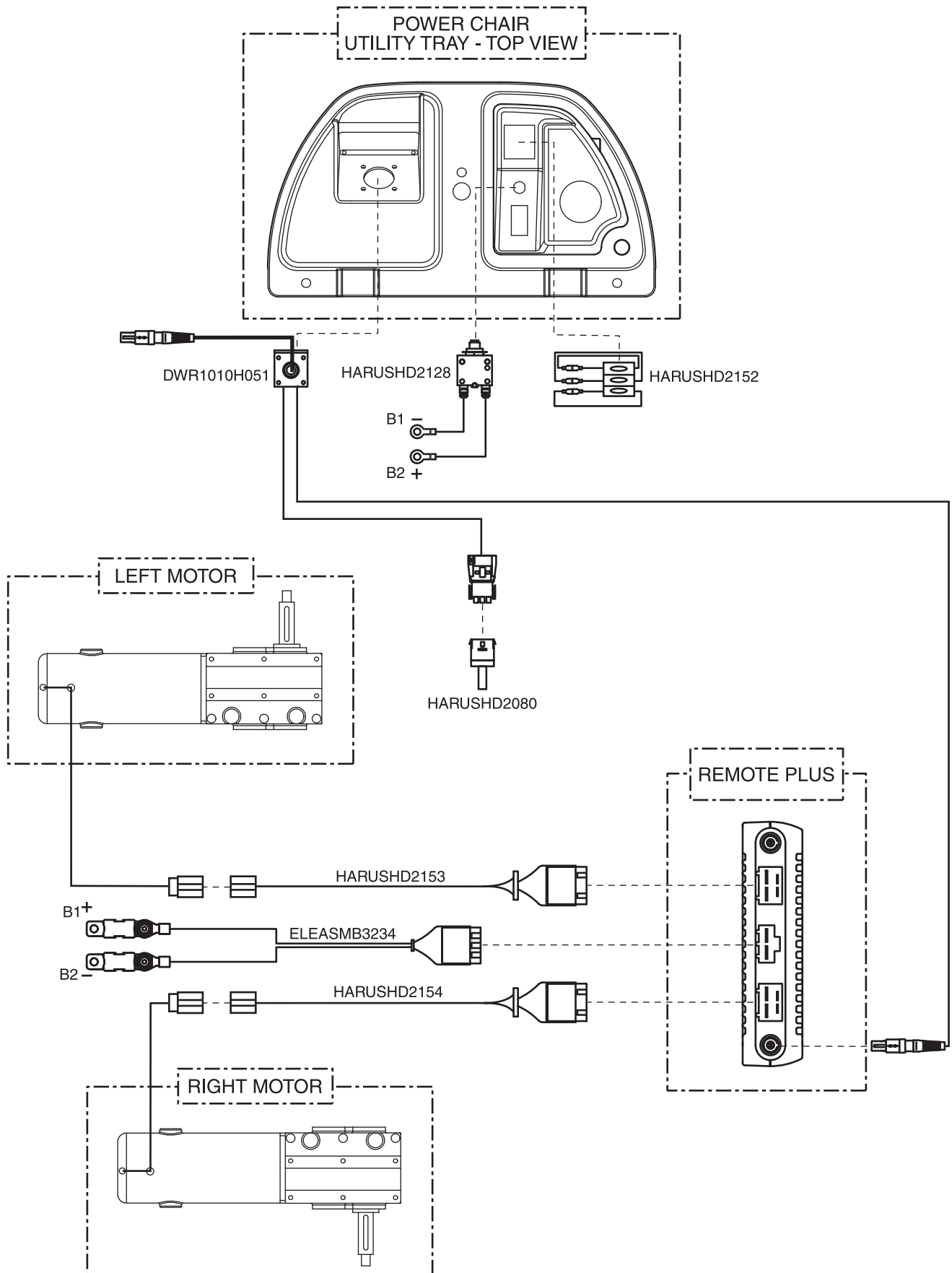
REF #	PART #	DESCRIPTION	QTY	Dealer \$	MSRP	11i
*N/A	DECASMB2142	DECAL,ASSY,QUANTUM1424,DOMESTIC	1	N/A	N/A	
*N/A	DWG1000L010	DECAL,CAUTION - OPERATIONAL INSTRUCTION,ARM COVER	1	\$1.05	\$2.68	
*N/A	DWR1000L034	DECAL,FREEWHEEL WARNING,ENGLISH	1	\$1	\$3	
*N/A	DWR1000L025	DECAL,POWERCHAIR,US AND FOREIGN PATENTS PENDING,DOMESTIC,L-1000-025	1	\$1	\$3	
*N/A	DWR1000L014	DECAL,EMI-RFI,20V/M,2001,L-1000-014	1	\$1.05	\$2.68	
*N/A	DWR1235L349	DECAL,NAME,QUANTUM 1424,L-1235-349	1	N/A	N/A	
*N/A	DWR1010L003	DECAL,BATTERY CONNECTION, JAZZY1100/1104/1120/1170	1	N/A	N/A	
*N/A	DWR1000L058	DECAL,WARNING,MAXIMUM WEIGHT CAPACITY, 425LBS/191.25KG	1	\$1.05	\$2.68	
*N/A	DWR1234L624	DECAL,ICON,WARNING,CONTROLLER CORD PLACEMENT,ENGLISH,L-1234-624	1	\$1.05	\$2.68	
*N/A	DWR1234L957	DECAL,WARNING,DEFLATE TIRE COMPLETELY,L-1234-957	2	\$1.05	\$2.68	
*N/A	DWR1235L061	DECAL,BATTERY WARNINGS,L-1235-061	1	\$1.05	\$2.68	
*N/A	DECINDV1236	DECAL,1 3/4"L X 1/2"H,ELECTRICAL APPROVAL,C-TICK DECAL,SILVER,L-1234-569	1	\$1.05	\$2.68	
*N/A	DECINDV1041	DECAL,CE,ROUND,5/8",WHITE/BLACK,L-1234-190	1	\$1.05	\$2.68	
*N/A	DWR1234L799	DECAL,ICON,1" X 2.5",WEATHER/MANUAL/LOOSE GARMENT,L- 1234-799	1	\$1.05	\$2.68	

**Notes :**

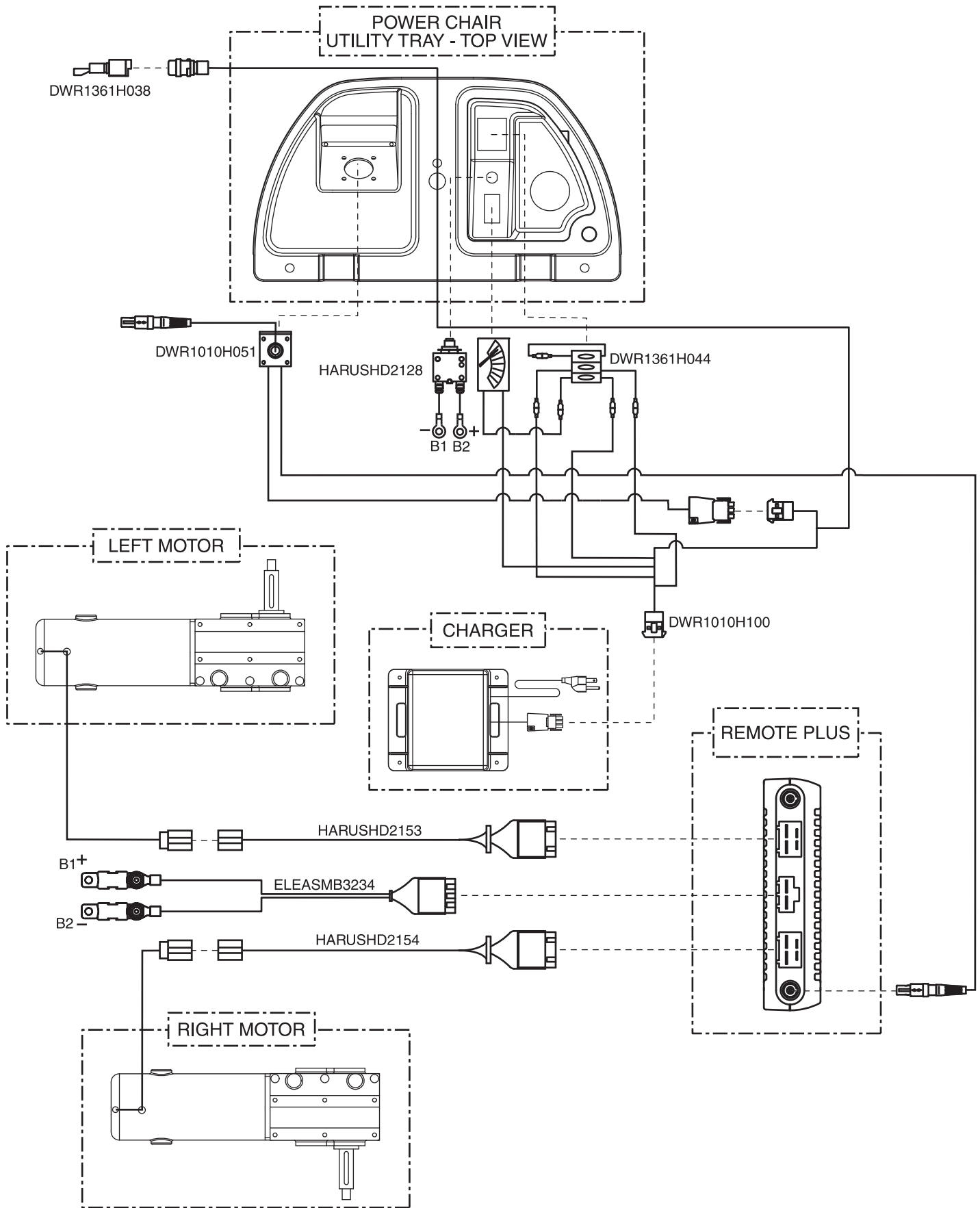
\*N/A Not applicable.



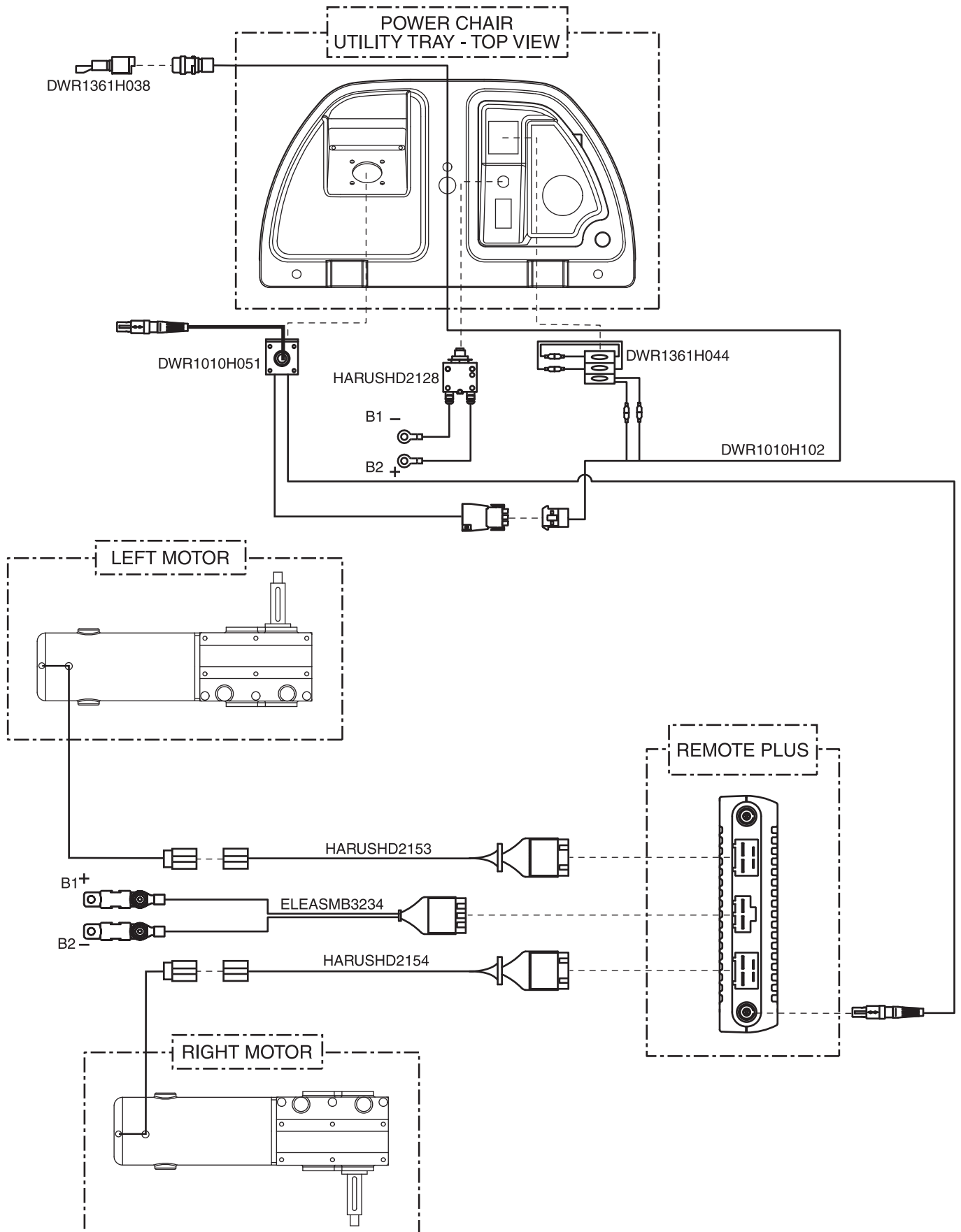
# A. Electrical System Diagram — Remote Plus, Off-board

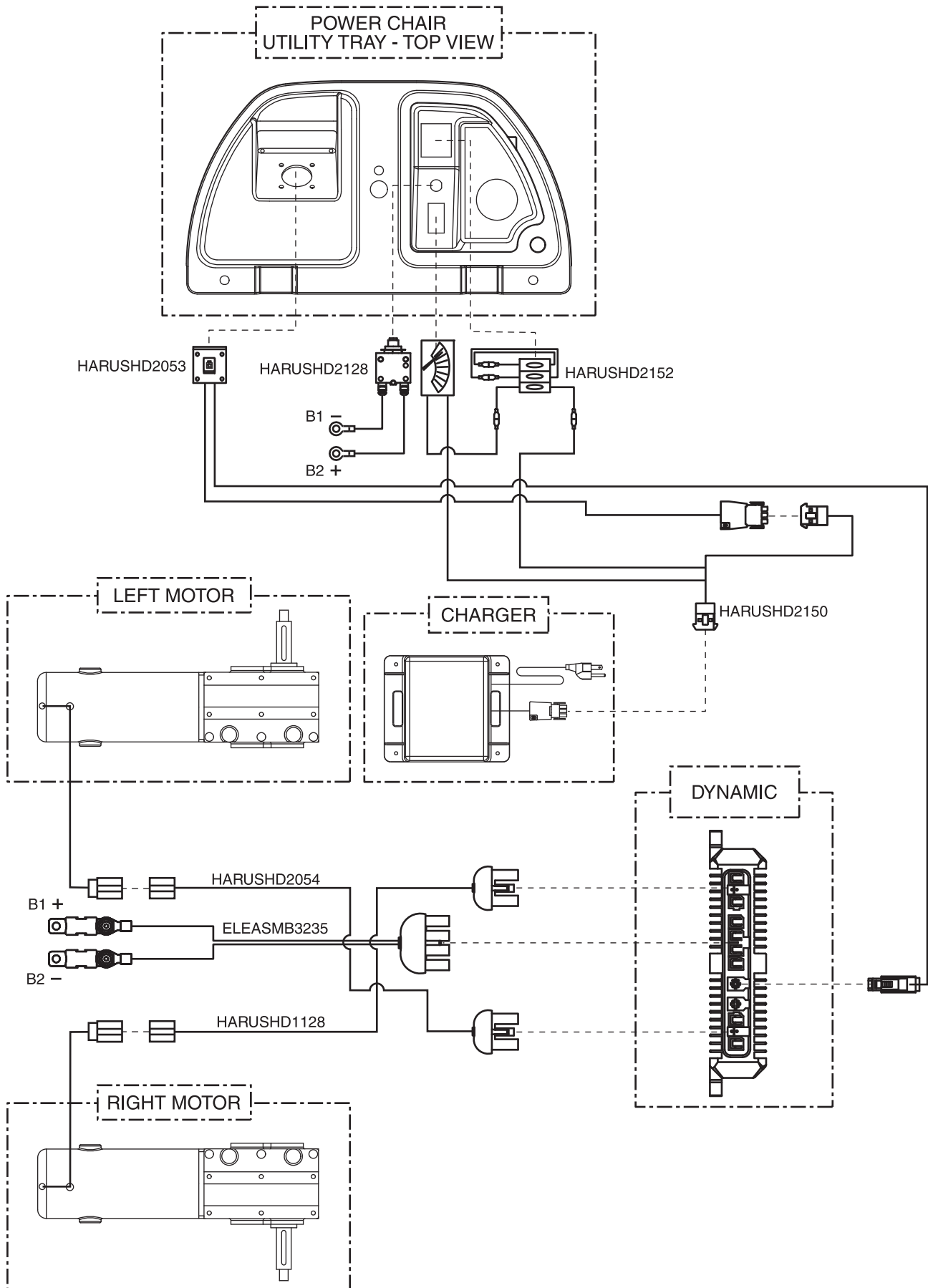


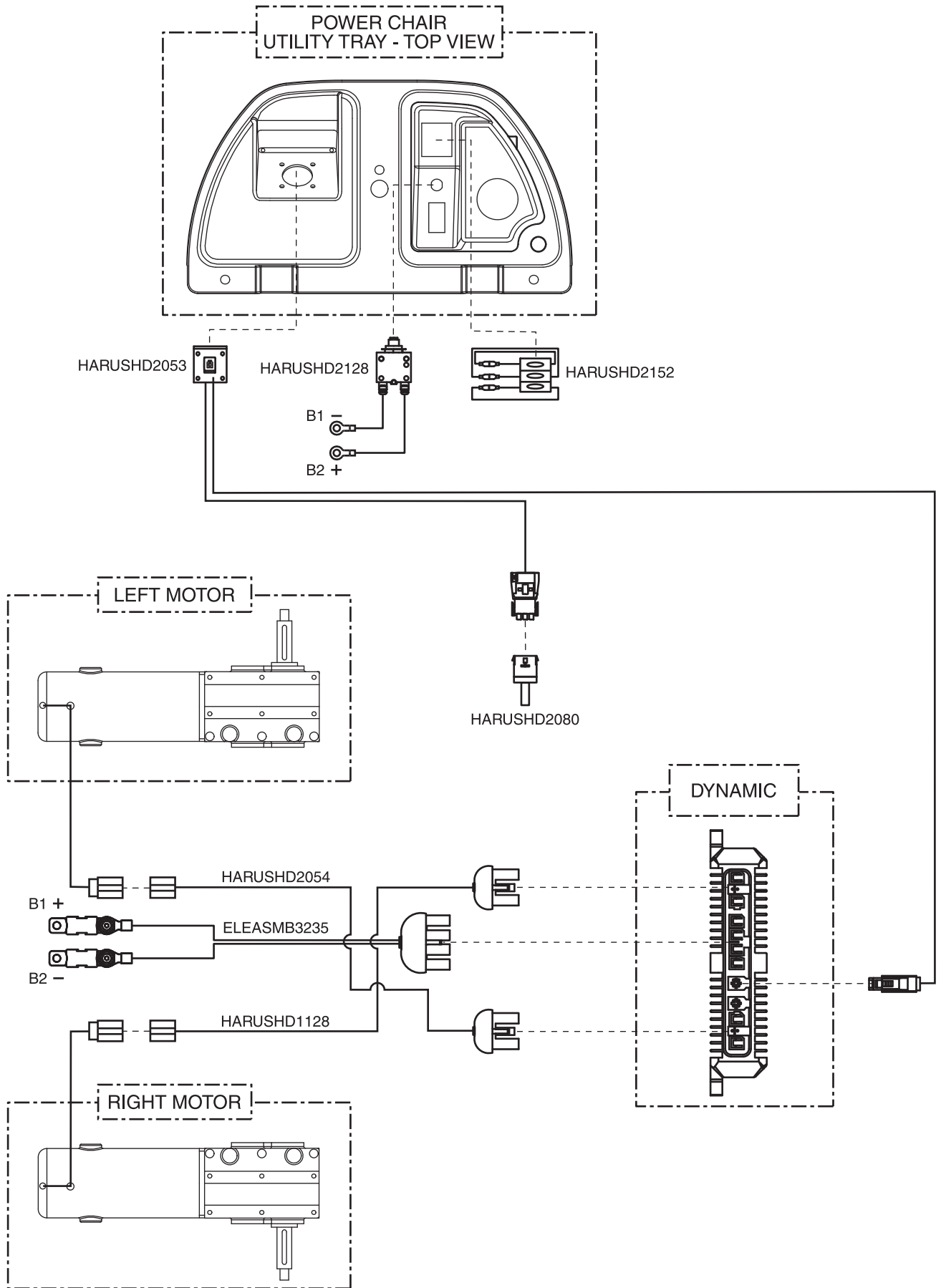
# A. Electrical System Diagram — Remote Plus, Quantum Ready, Onboard

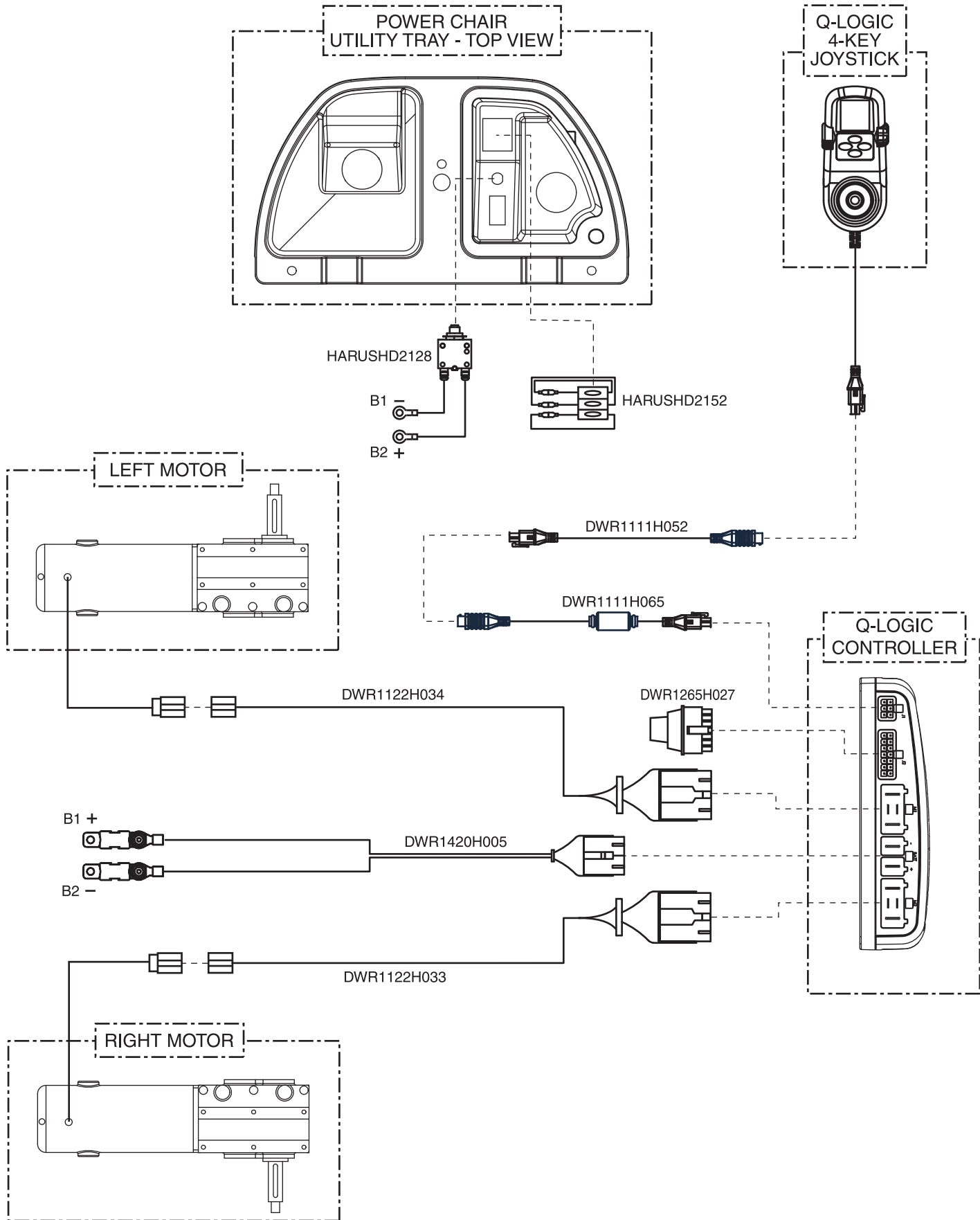


# A. Electrical System Diagram — Remote Plus, Quantum Ready, Off-board



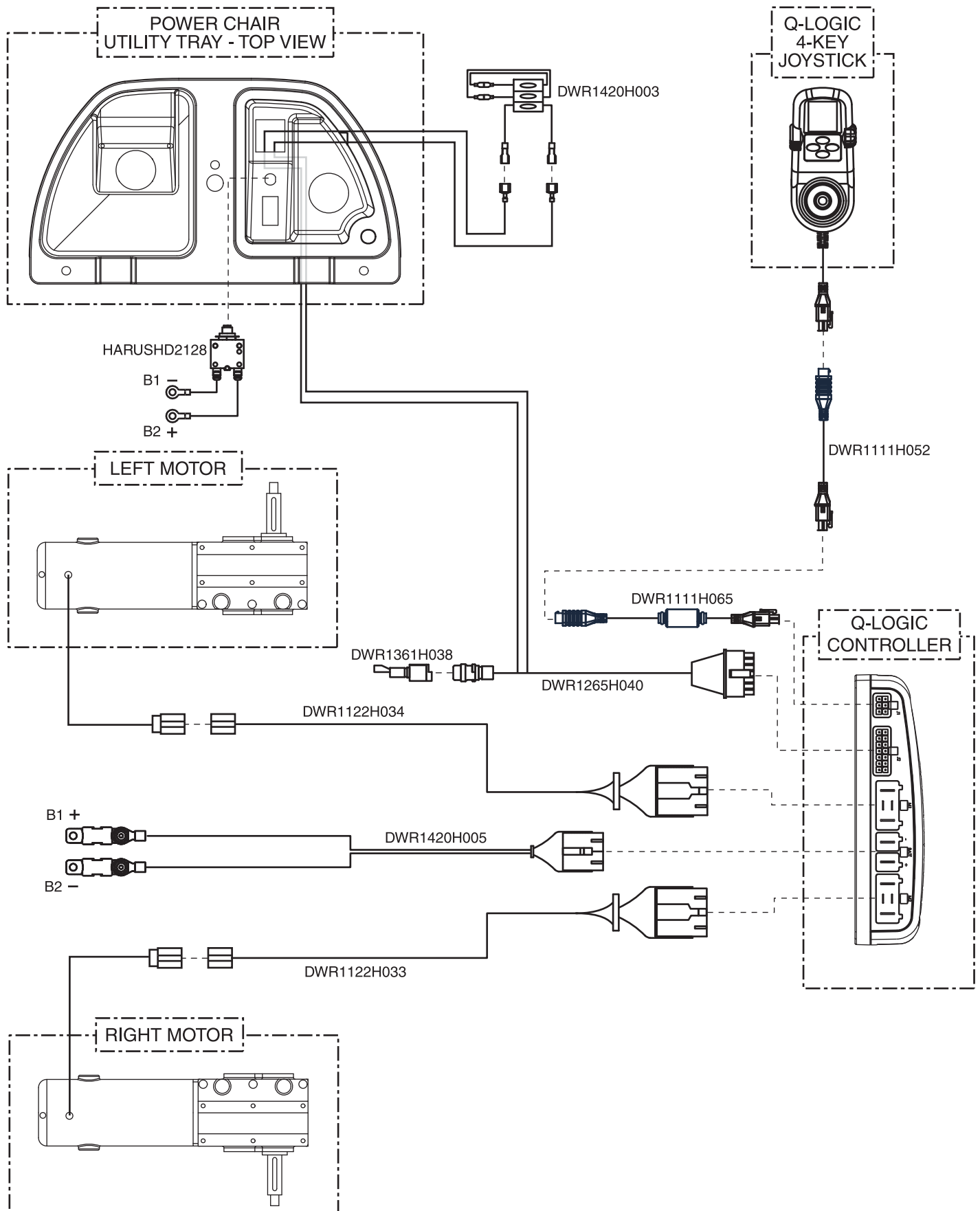




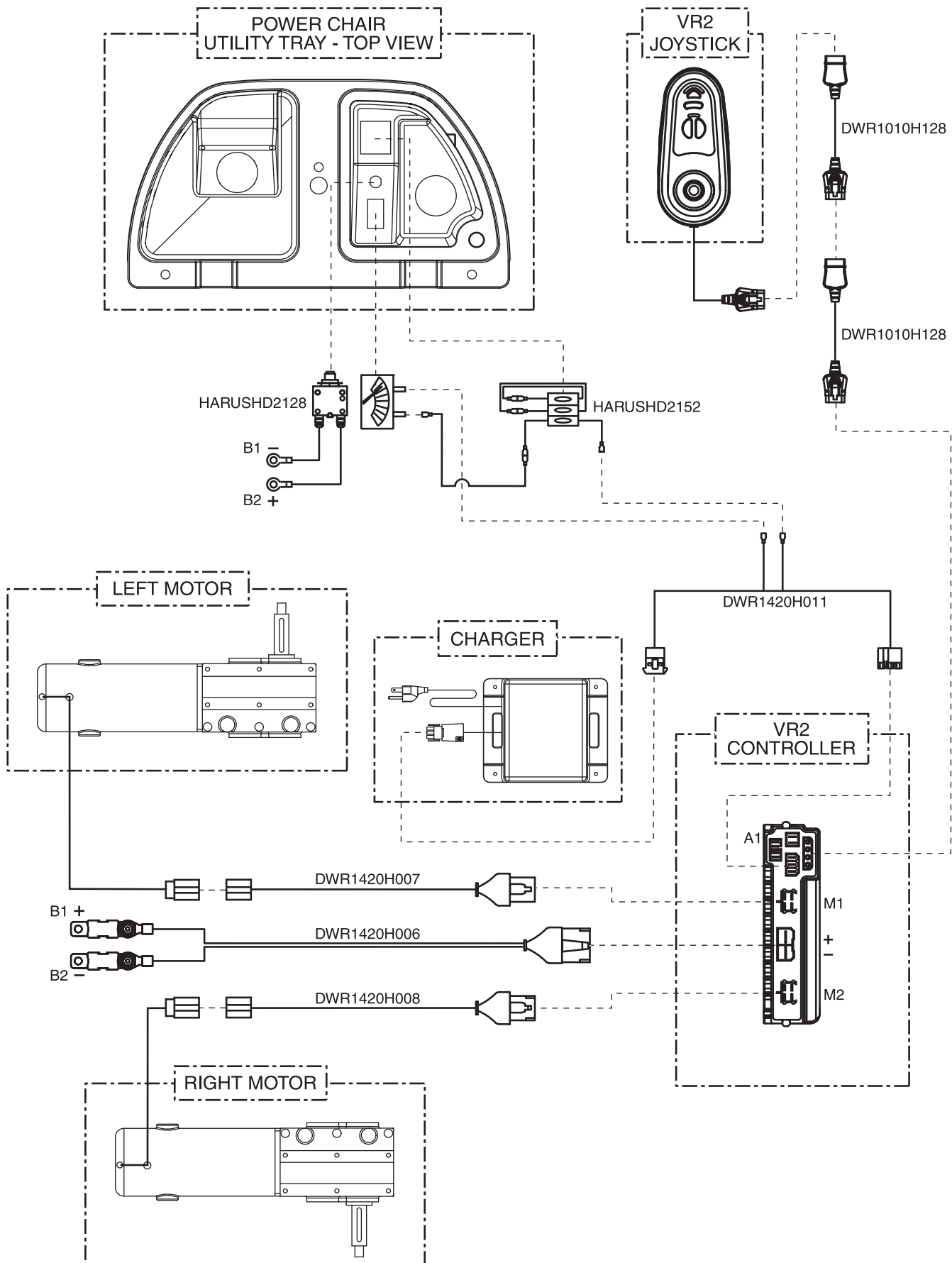




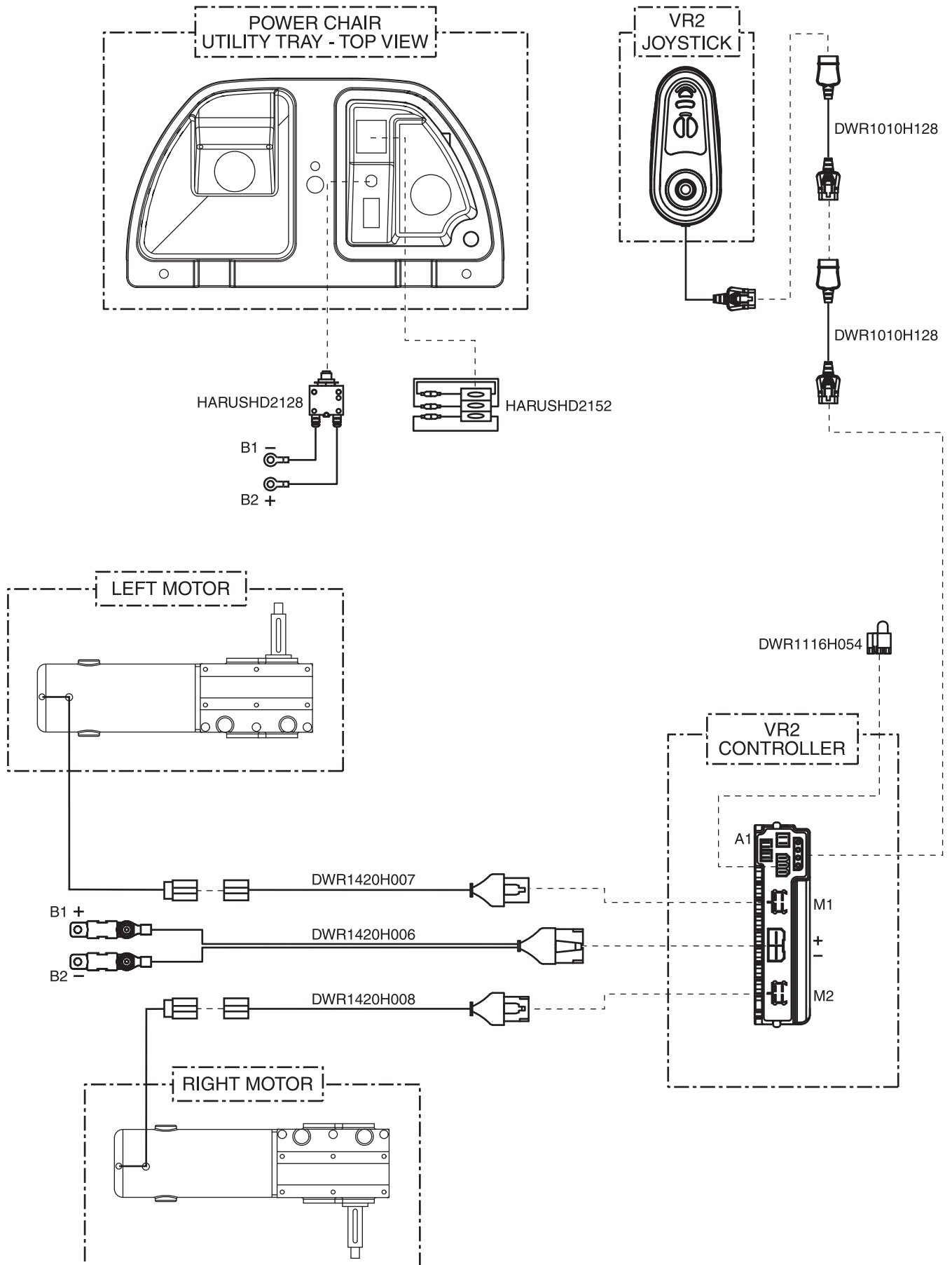
# A. Electrical System Diagram — Q-Logic, Quantum Ready/Tilt Thru Toggle, Off-board



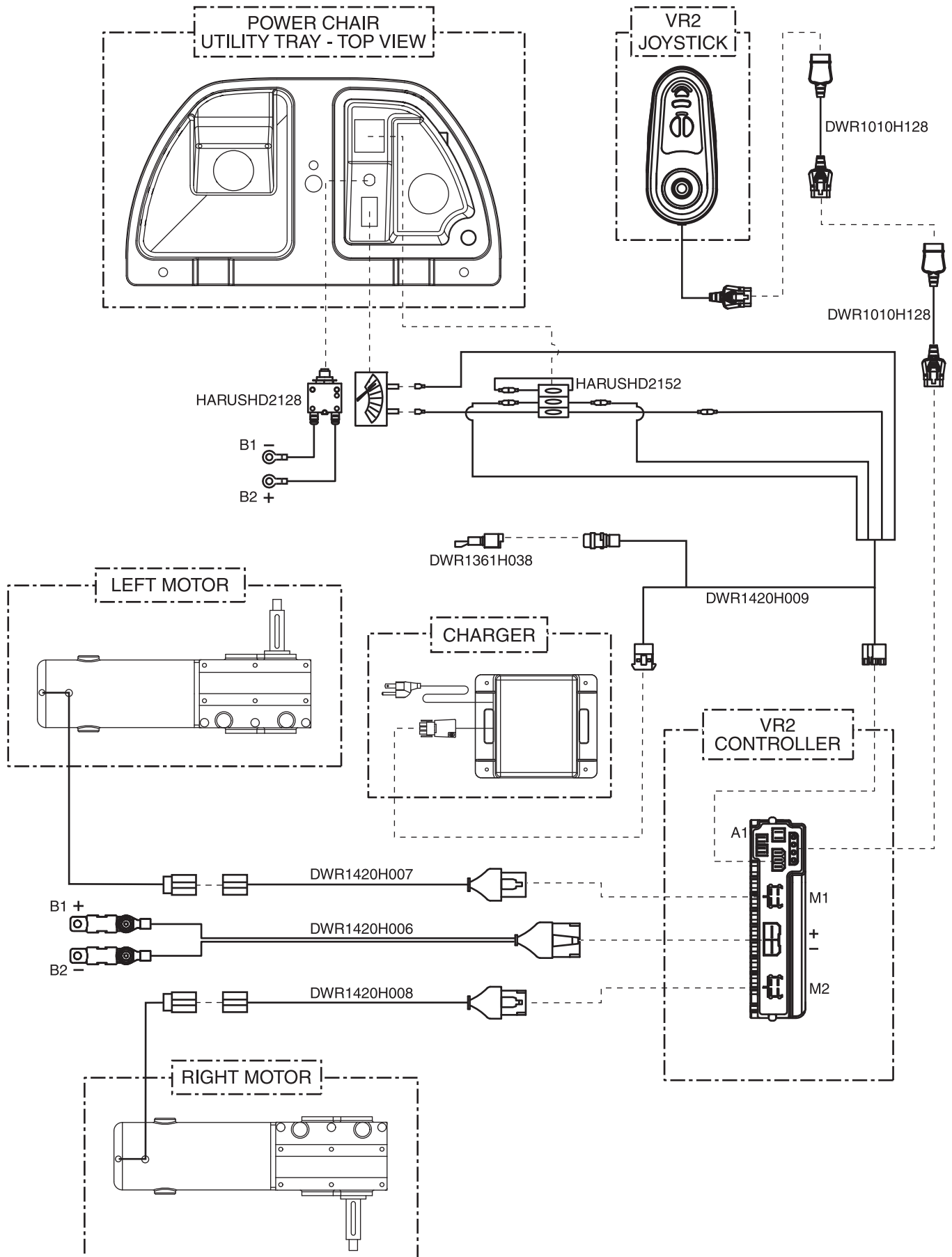
# A. Electrical System Diagram — VR2, Onboard



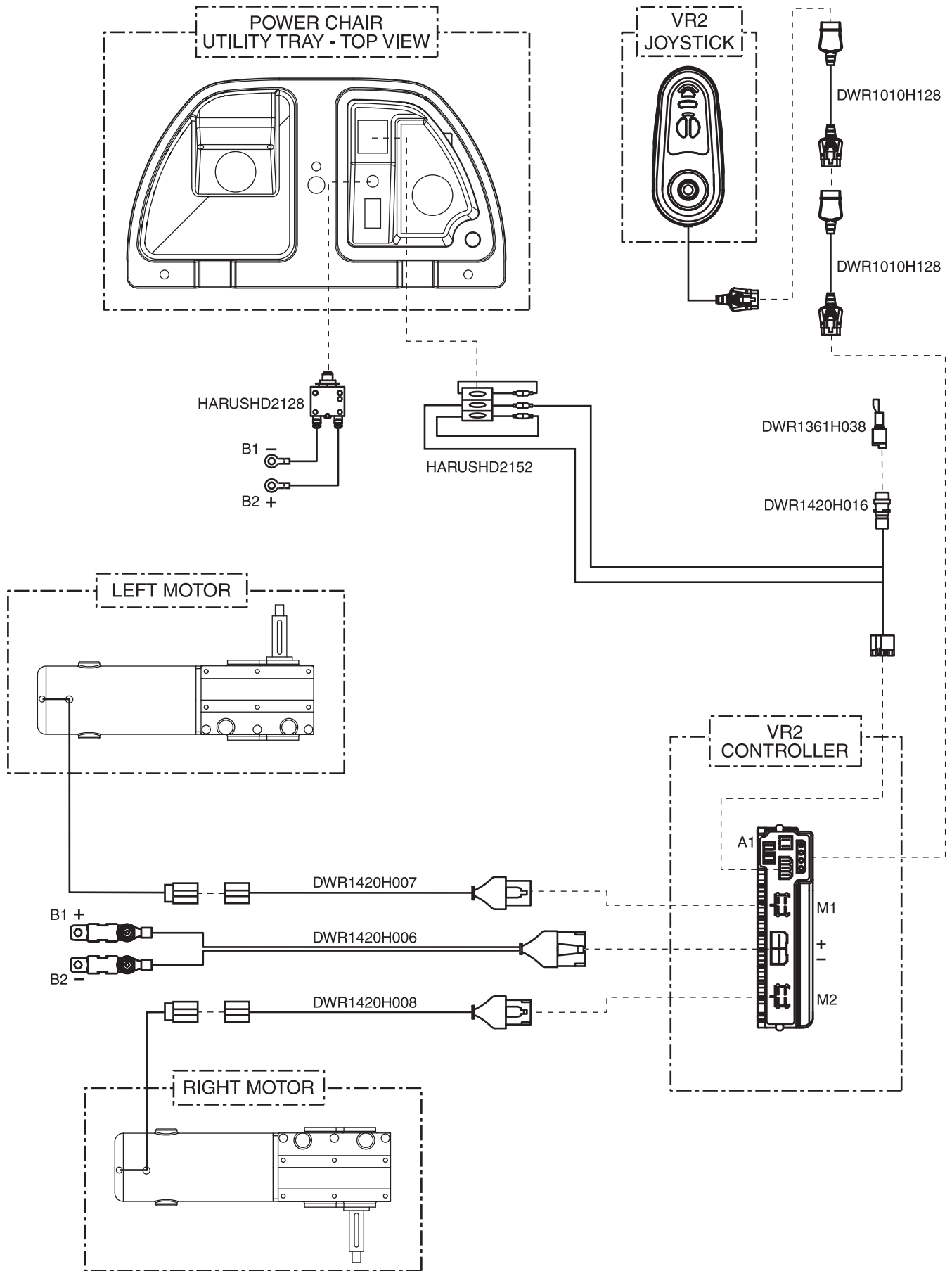
# A. Electrical System Diagram — VR2, Off-board

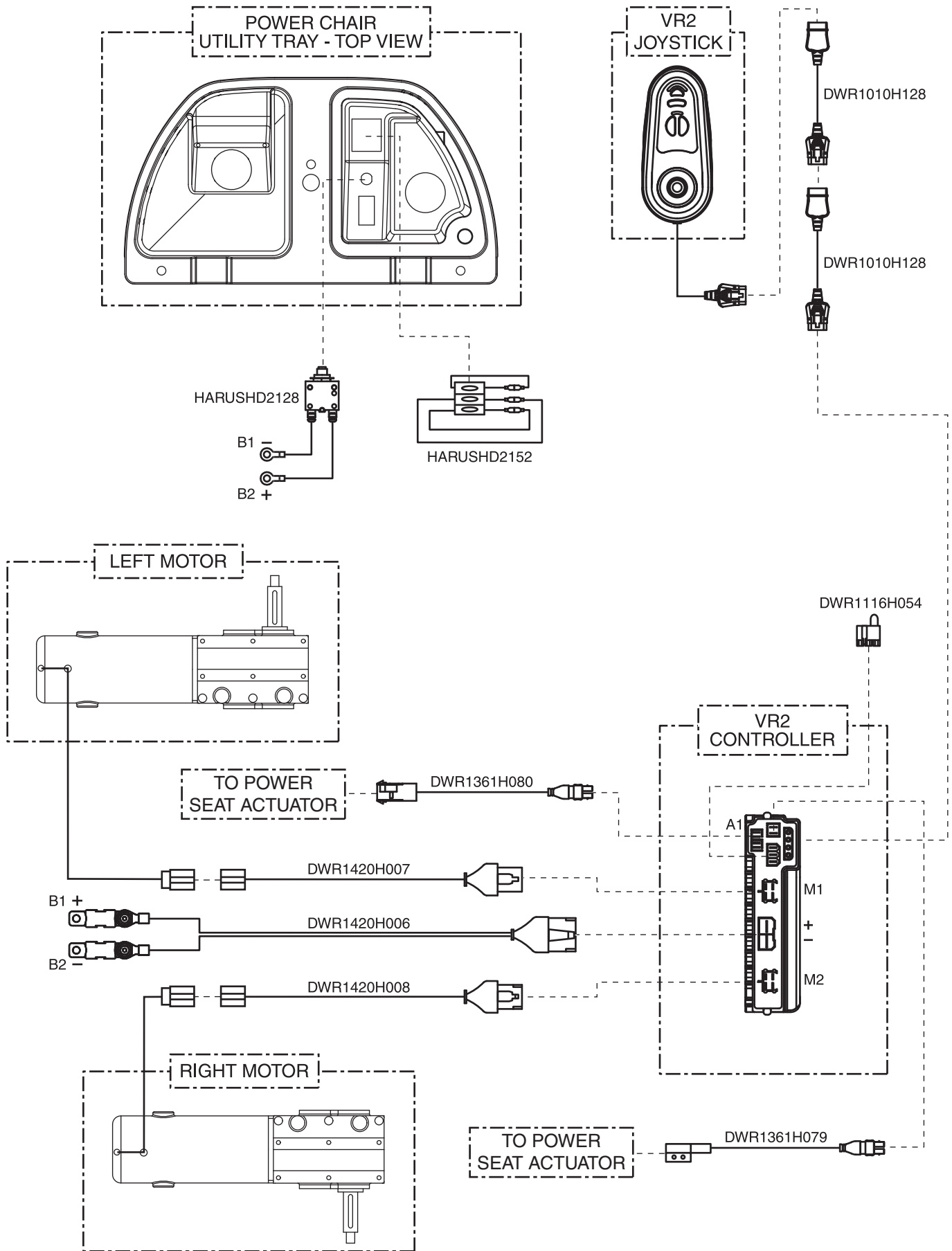


# A. Electrical System Diagram — VR2, Tilt Thru Toggle, Onboard

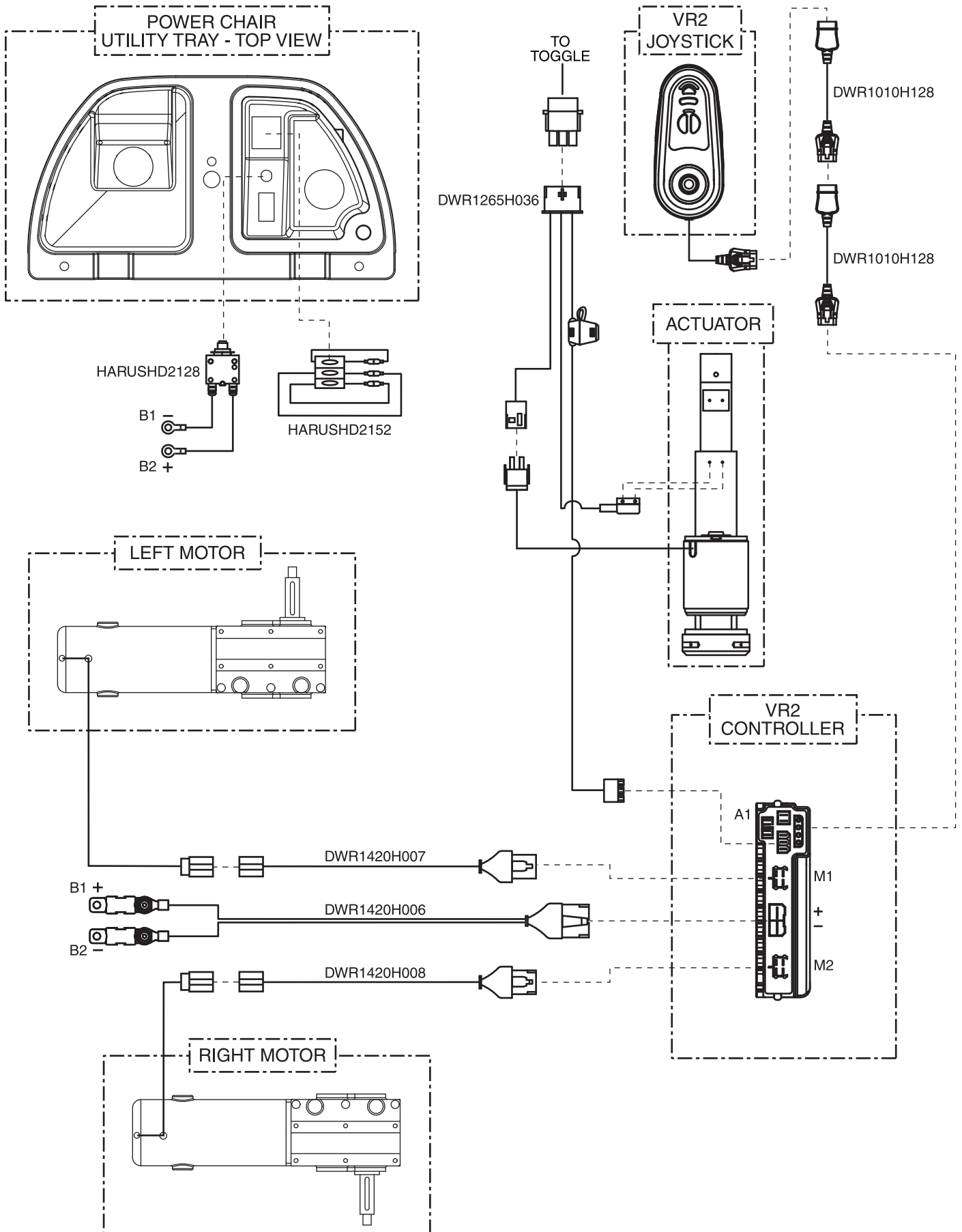


# A. Electrical System Diagram — VR2, Tilt Thru Toggle, Off-board





# A. Electrical System Diagram — VR2, Power Seat Thru Toggle, Off-board





# Pride

*Mobility Products Corp.*

*www.pridemobility.com*

**Pride Mobility Products® Corporation**

182 Susquehanna Avenue  
Exeter, PA 18643  
USA

**Pride Mobility Products® Company**

380 Vansickle Road, Unit 350  
St. Catharines, Ontario L2R 6P7  
Canada

**Pride Mobility Products® Ltd.**

32 Wedgwood Road  
Bicester, Oxon OX26 4UL  
UK

**Pride Mobility Products® Australia Pty. Ltd.**

21 Healey Road  
Dandenong, 3175  
Victoria, Australia

**Pride Mobility Products® Italia S.r.l.**

Via del Porgresso - ang. Via del Lavoro  
Loc. Prato della Corte  
00065 - Fiano Romano (RM)

**Pride Mobility Products® Europe B.V.**

Castricummer Werf 26  
1901 RW Castricum  
The Netherlands