

Q-Logic 2 Quick Guide



1. LCD Screen



2. Drive/Function Inhibit



3. On/Off Mode Select Lever



4. Joystick



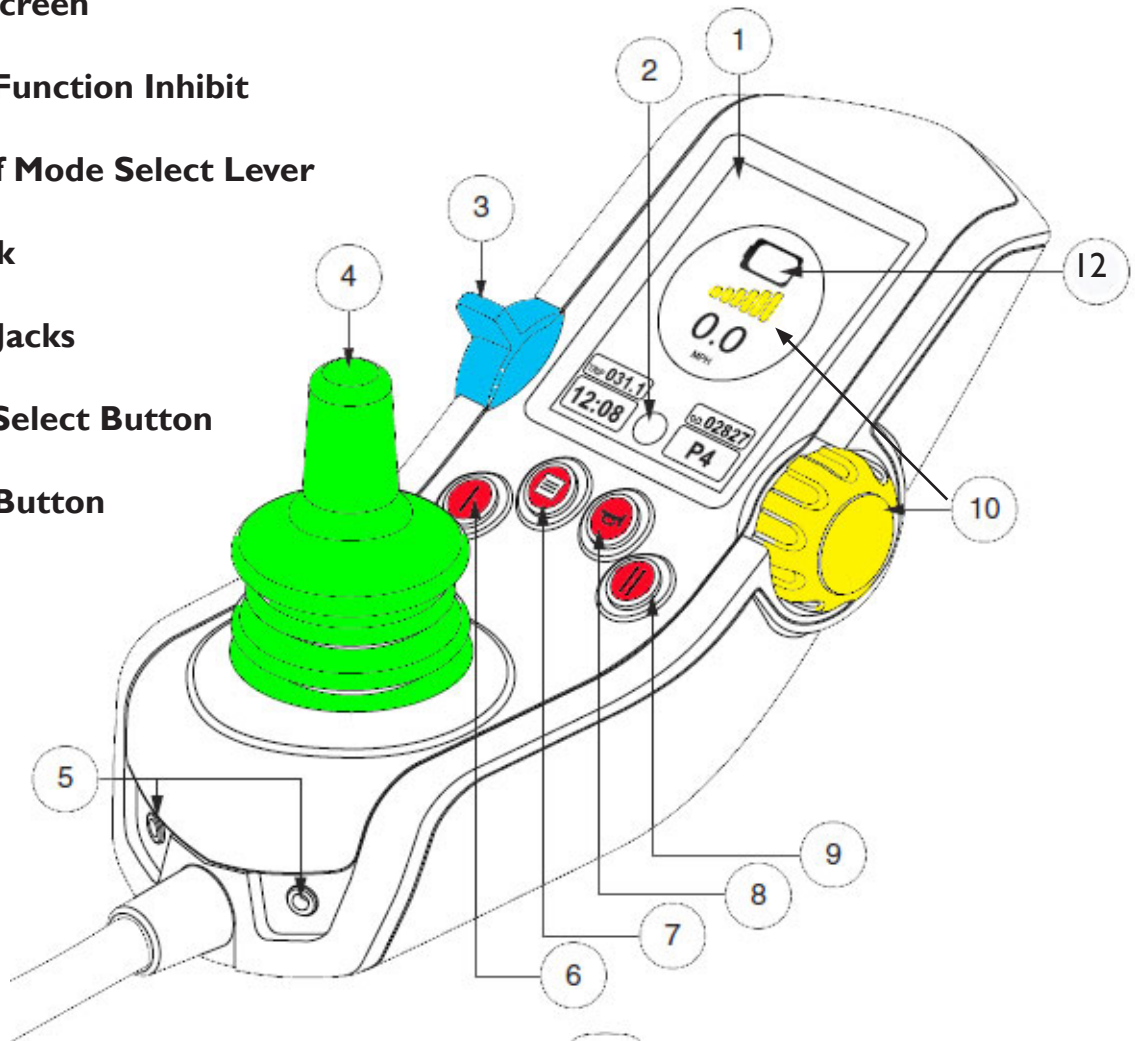
5. Mono Jacks



6. Key 1 Select Button



7. Menu Button



8. Horn Button



9. Key 2 Select Button



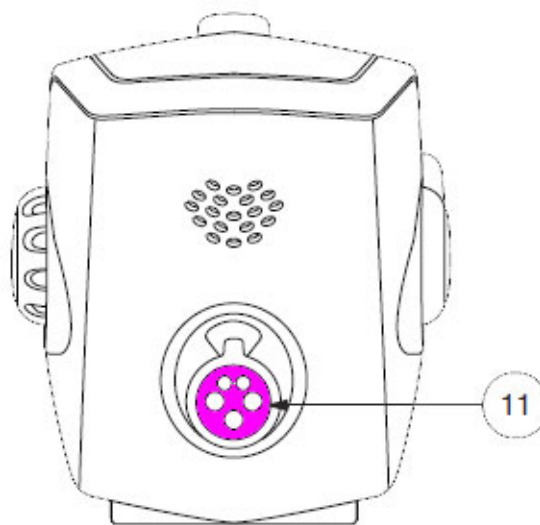
10. Speed Adjustment



11. Charger Port



12. Battery Condition Meter



**ALLIED
MEDICAL
LIMITED**

Q-Logic Quick Guide



Ensure you turn off the chair for transfers.



Freewheel your chair by disengaging both motors.



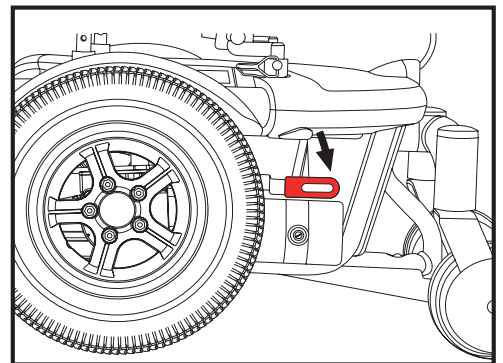
Never disengage your motors when on a slope!



Locked and in drive mode

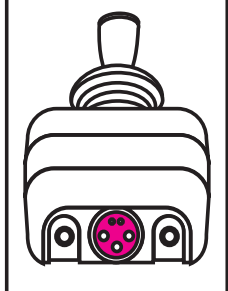
Place unit on level ground and stand to one side when changing between modes.

Unlocked and in freewheel mode.



Remember to charge your chair every night.

Front View



Your charger plugs into the front of your hand control.

