

Otto Bock[®]

QUALITY FOR LIFE



Nurmi Neo

Ersatzteilekatalog / Spare Parts Catalog

Index

A

Anterior frame	27
Anti-tipper holder	28, 29
Anti-tipper	44
Attachment for gluteal support	40, 41

B

Bag holder	38
Ball handle	43
Bearing	27
Blind rivet	38

C

Caster fork	35
Caster swivel lock	43
Clamp handle	30
Clamping lever	40
Combined gluteal and pelvic supports	41

D

Driving brake and wheel lock	39
------------------------------------	----

E

EVA-wheel	35, 36
Extra high grip bar with forearm supports	34

F

Folding mechanism	30
Forearm supports	34
Friction brake	44
Front wheel	35

G

Gluteal support	40, 41
Grip bar attachment tube	31, 32, 33, 34
Grip bar with universal grips	32
Grip cover TPE	31, 32, 33, 34

L

Lamellar plug	42
---------------------	----

M

Mini basket	
"Mini" grip bar	33
"Mini" grip	33
Mounting adapter	38
Multifunction piece.....	28, 29

P

Pad for forearm support	
Pad for gluteal support	40
Pelvic support.....	41
Posterior frame.....	28, 29

Q

Quick clamp.....	28, 29
------------------	--------

R

Rear wheel	36
Reverse-roll lock	37

S

Seat	45
Short grip bar	32, 33, 34
Spacer	27
Spring thrust piece	27
Standard grip bar.....	31
Storage basket.....	38
Swivel lock housing	27

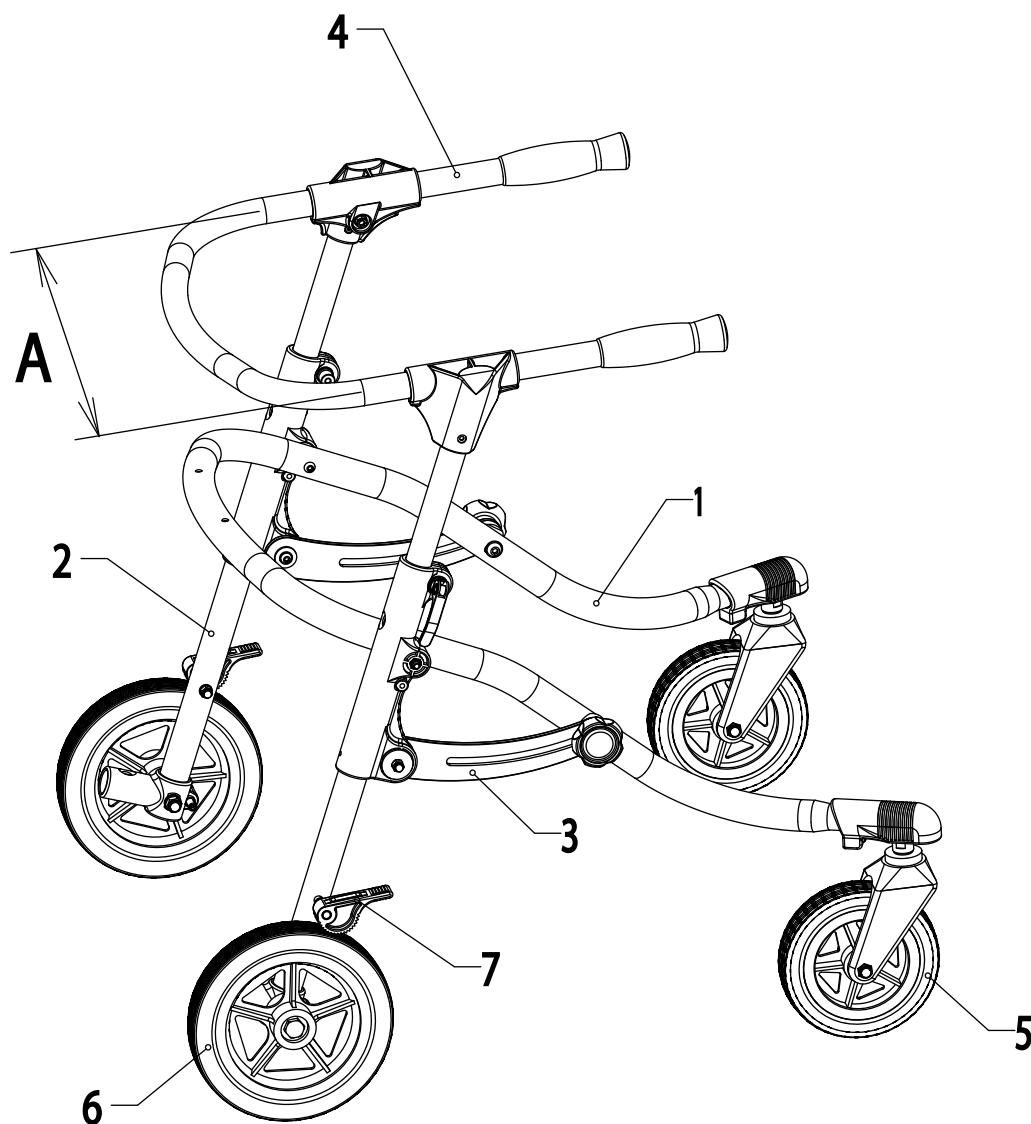
T

Tripod spring	42
---------------------	----

U

Universal grip	32
----------------------	----

Component Group Overview



Item	Component group	Page
1	Anterior frame	27
2	Posterior frame	28+29
3	Folding mechanism	30
4	Grip bar	31-34
5	Front wheel	35
6	Rear wheel	36
7	Reverse-roll lock	37
no illustr.	Accessories	38 - 45

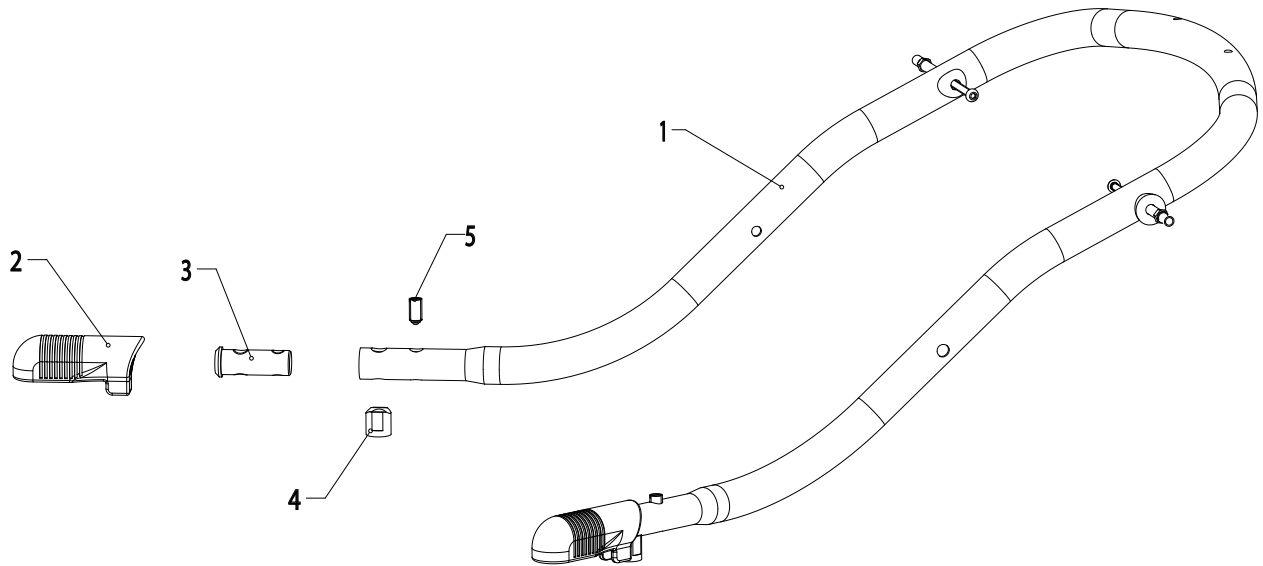
Model identification:

A: Grip bar width, measured from tube center to tube center

Size: 1 A = approx. 41 cm

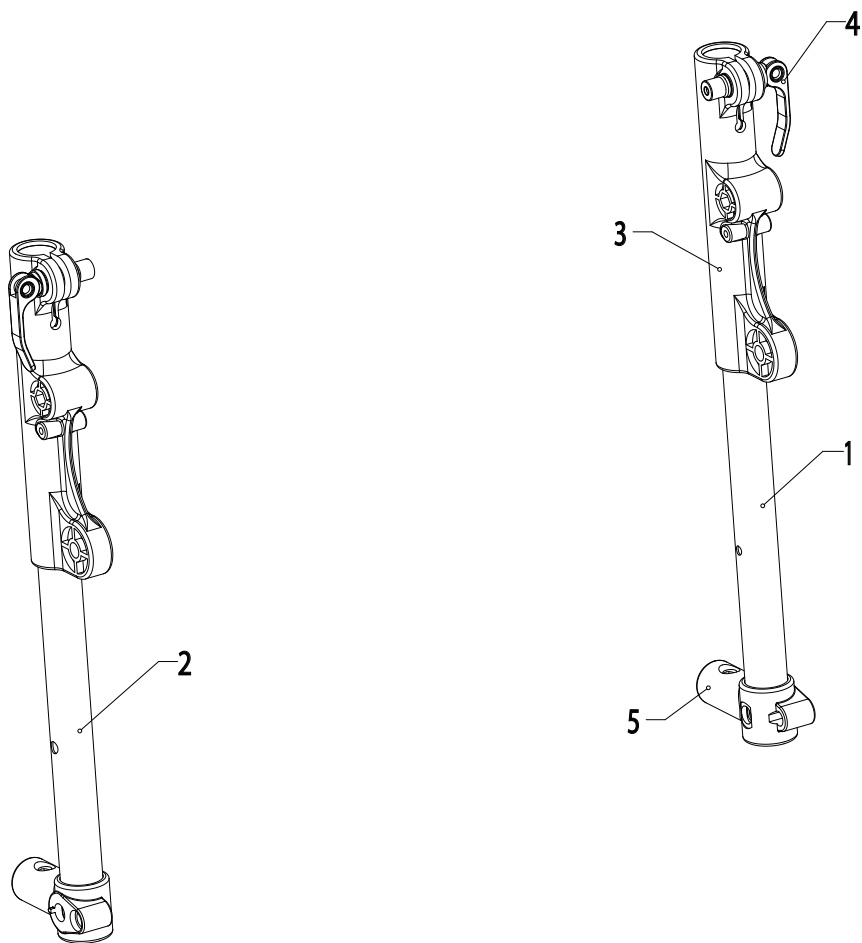
Size: 2 A = approx. 46 cm

Size: 3 A = approx. 51 cm

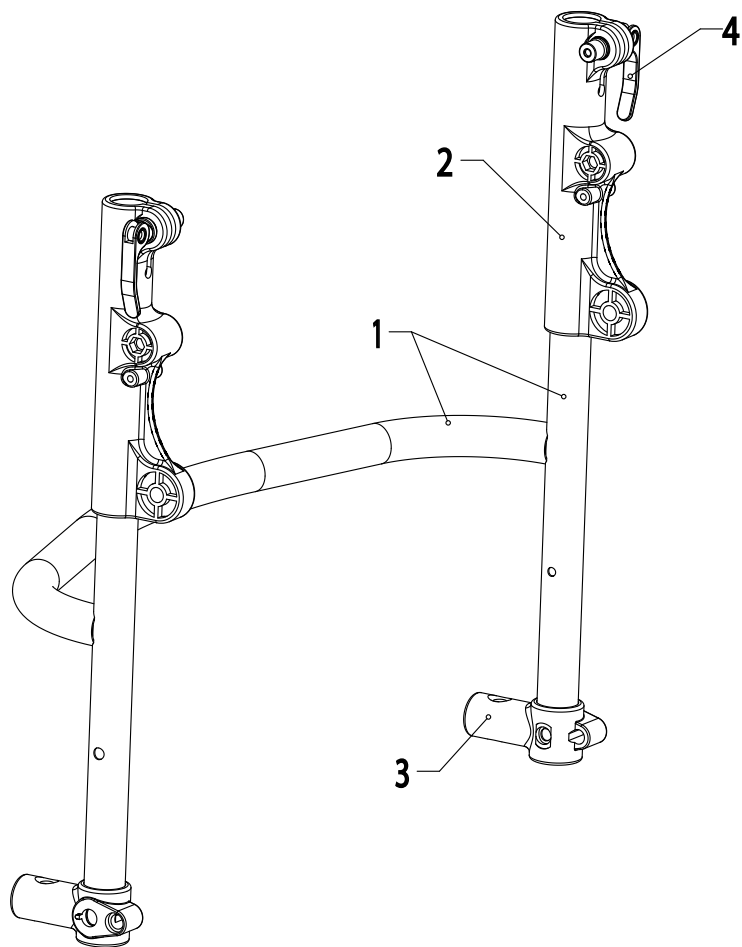


Item	Article number	Article description	Quantity	Unit
1-5	HR24161100-xxxE	Anterior frame, size 1, complete	1	pc.
	HR24261100-xxxE	Anterior frame, size 2, complete	1	pc.
	HR24361100-xxxE	Anterior frame, size 3, complete	1	pc.
2	HR32911120	Swivel lock housing	1	pc.
3	HR24161121	Bearing, knurled	1	pc.
4	HR32911122	Spacer d20x20, black	1	pc.
5	HR10360004	Spring thrust piece Long Lok ball	1	pc.

Posterior Frame

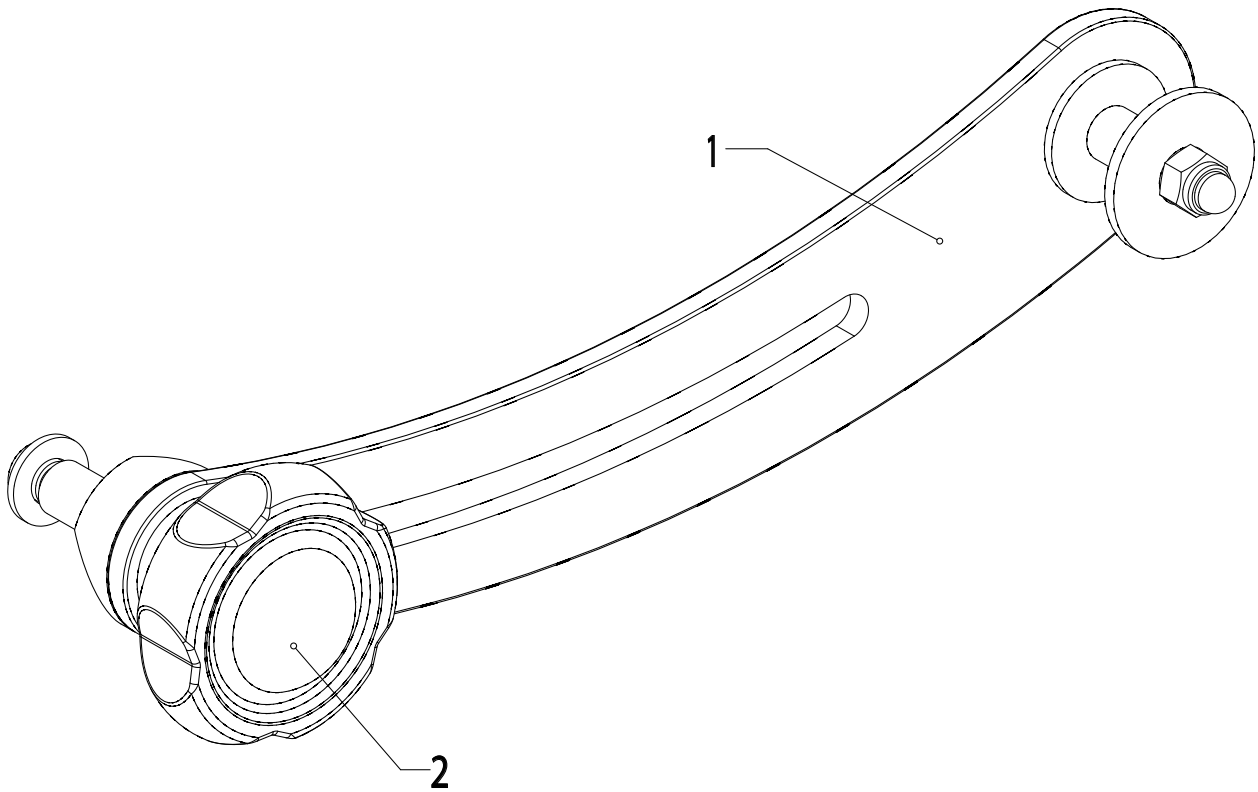


Item	Article number	Article description	Quantity	Unit
1, 3-5	HR24161320-xxxE	Posterior frame, left, size 1, complete	1	pc.
	HR24261320-xxxE	Posterior frame, left, size 2, complete	1	pc.
2, 3-5	HR24161330-xxxE	Posterior frame, right, size 1, complete	1	pc.
	HR24261330-xxxE	Posterior frame, right, size 2, complete	1	pc.
3	HR24161310E	Multifunction piece	1	pc.
4	HR24161340E	Quick clamp with sleeve and washer	1	pc.
5	HR24161315	Anti-tipper holder, PA6, black	1	pc.

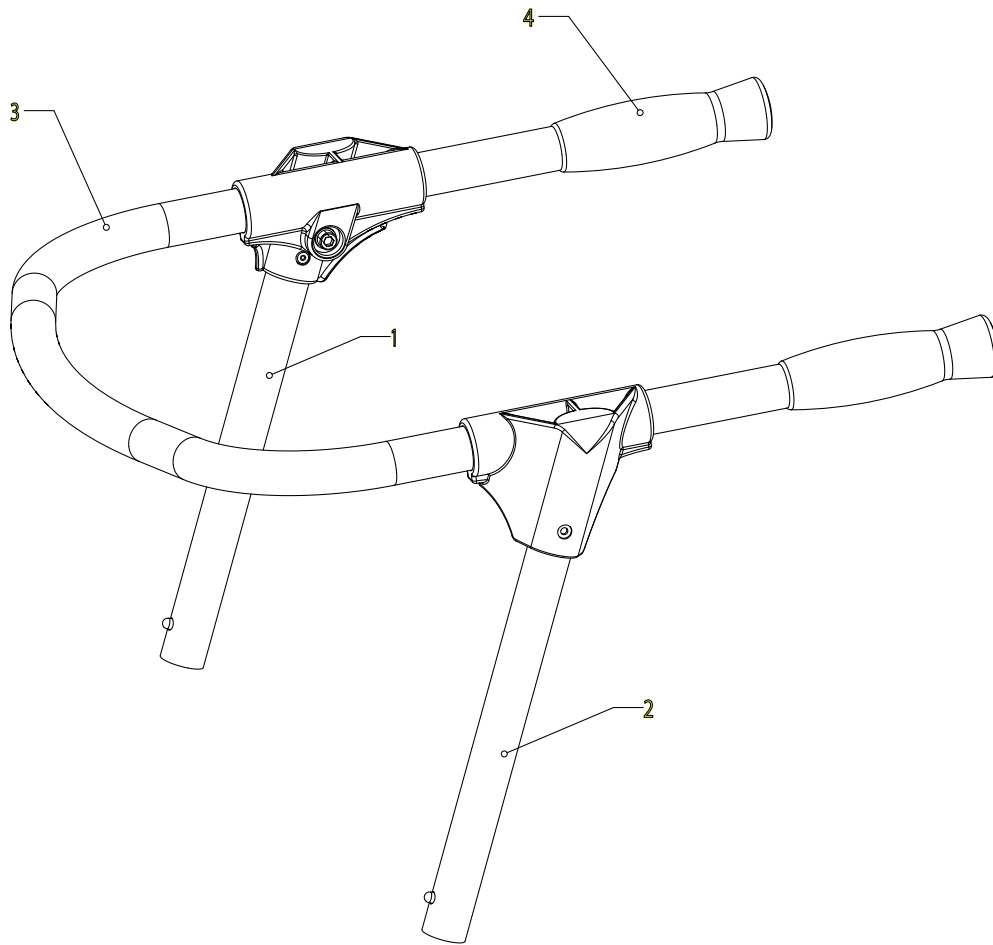


Item	Article number	Article description	Quantity	Unit
1-4	HR24361300-xxxE	Posterior frame, size 3, complete	1	pc.
2	HR24161310E	Multifunction piece	1	pc.
3	HR24161315	Anti-tipper holder, PA6, black	1	pc.
4	HR24161340E	Quick clamp with sleeve and washer	1	pc.

Folding Mechanism

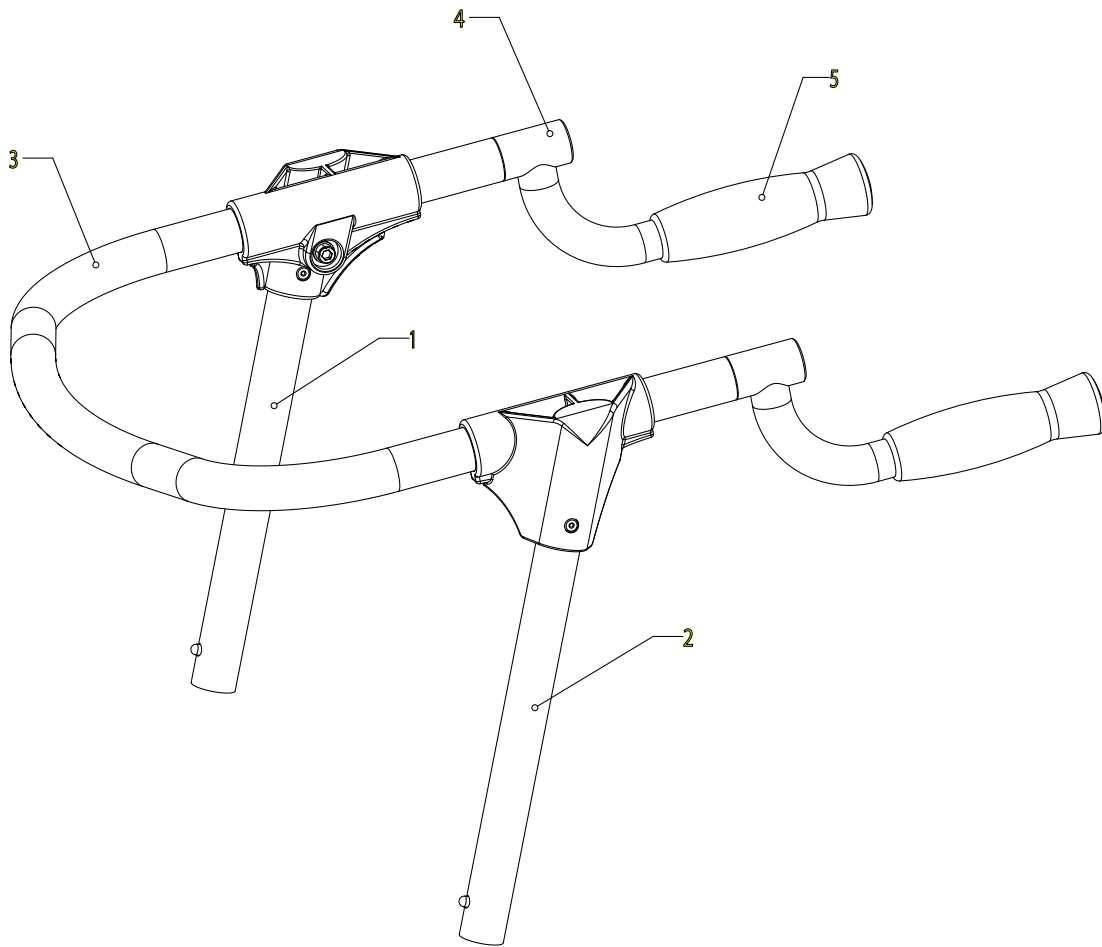


Item	Article number	Article description	Quantity	Unit
1+2	HR24161500E	Folding mechanism, complete	2	pcs
2	HR11220802	Clamp handle d50/internal thread M8, yellow	2	pcs

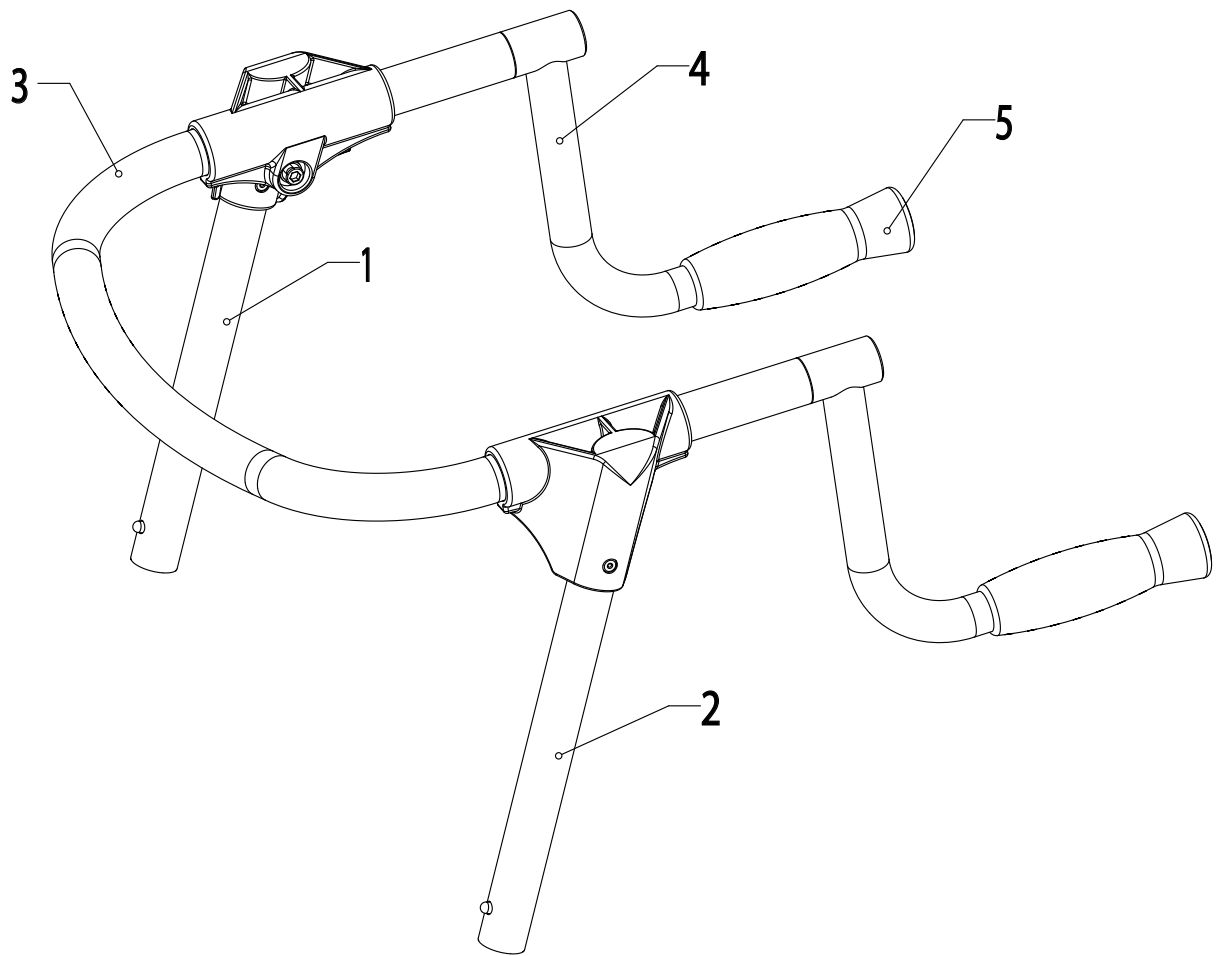


Item	Article number	Article description	Quantity	Unit
1-4	HR24161600	Standard grip bar, size 1, complete	1	pc.
	HR24261600	Standard grip bar, size 2, complete	1	pc.
	HR24361600	Standard grip bar, size 3, complete	1	pc.
1	HR24161610E	Grip bar attachment tube, size 1, left, complete	1	pc.
	HR24261610E	Grip bar attachment tube, size 2 + size 3, left, complete	1	pc.
2	HR24161620E	Grip bar attachment tube, size 1, right, complete	1	pc.
	HR24261620E	Grip bar attachment tube, size 2 + size 3, right, complete	1	pc.
3	HR24161630	Standard grip bar, size 1, silver anodized	1	pc.
	HR24261630	Standard grip bar, size 2, silver anodized	1	pc.
	HR24361630	Standard grip bar, size 3, silver anodized	1	pc.
4	HR11290047	Grip cover, TPE, black d25x120	2	pcs

Grip Bar

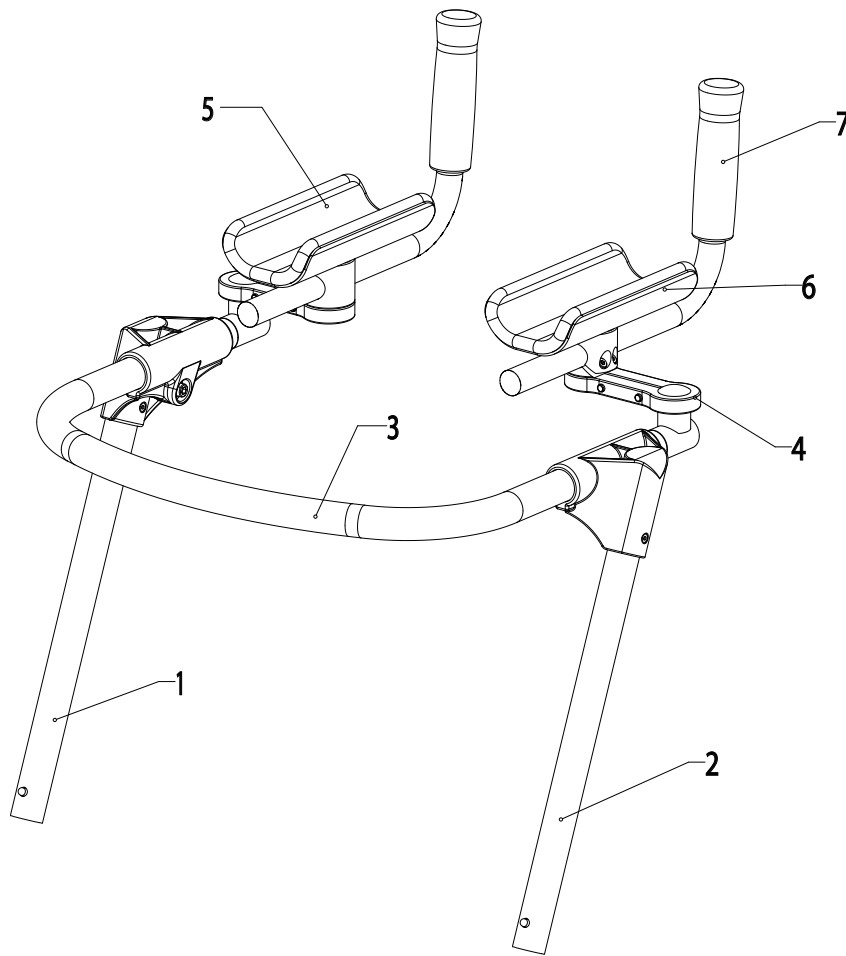


Item	Article number	Article description	Quantity	Unit
1-5	HR24161700	Grip bar with universal grips, size 1, complete	1	pc.
	HR24261700	Grip bar with universal grips, size 2, complete	1	pc.
	HR24361700	Grip bar with universal grips, size 3, complete	1	pc.
1	HR24161610E	Grip bar attachment tube, size 1, left, complete	1	pc.
	HR24261610E	Grip bar attachment tube, size 2 + size 3, left, complete	1	pc.
2	HR24161620E	Grip bar attachment tube, size 1, right, complete	1	pc.
	HR24261620E	Grip bar attachment tube, size 2 + size 3, right, complete	1	pc.
3	HR24161710	Short grip bar, size 1, silver anodized	1	pc.
3	HR24261710	Short grip bar, size 2, silver anodized	1	pc.
3	HR24361710	Short grip bar, size 3, silver anodized	1	pc.
4+5	HR24161730E	Universal grip, silver anodized	2	pcs
4	HR11290045	Grip cover, TPE, black d22x120	2	pcs

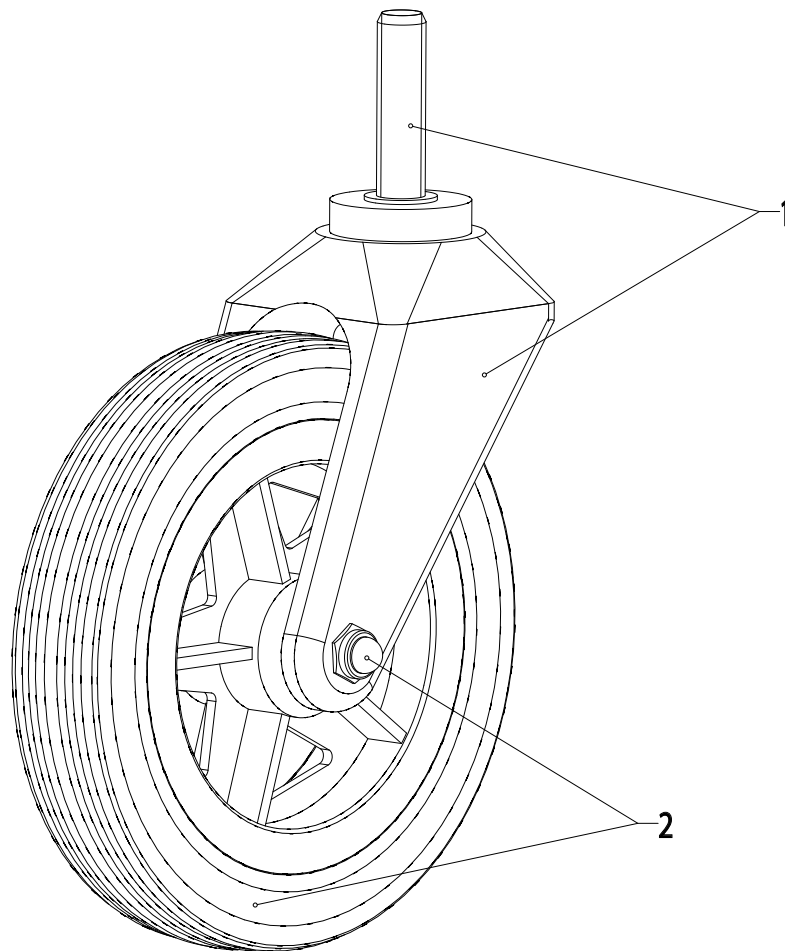


Item	Article number	Article description	Quantity	Unit
1-5	HR24168600	"Mini" grip bar, complete	1	pc.
1	HR24161610E	Grip bar attachment tube, size 1, left, complete	1	pc.
2	HR24161620E	Grip bar attachment tube, size 1, right, complete	1	pc.
3	HR24161710	Short grip bar, size 1, silver anodized	1	pc.
4+5	HR24168620E	"Mini" grip, silver anodized	2	pcs
4	HR11290045	Grip cover, TPE, black d22x120	2	pcs

Grip Bar

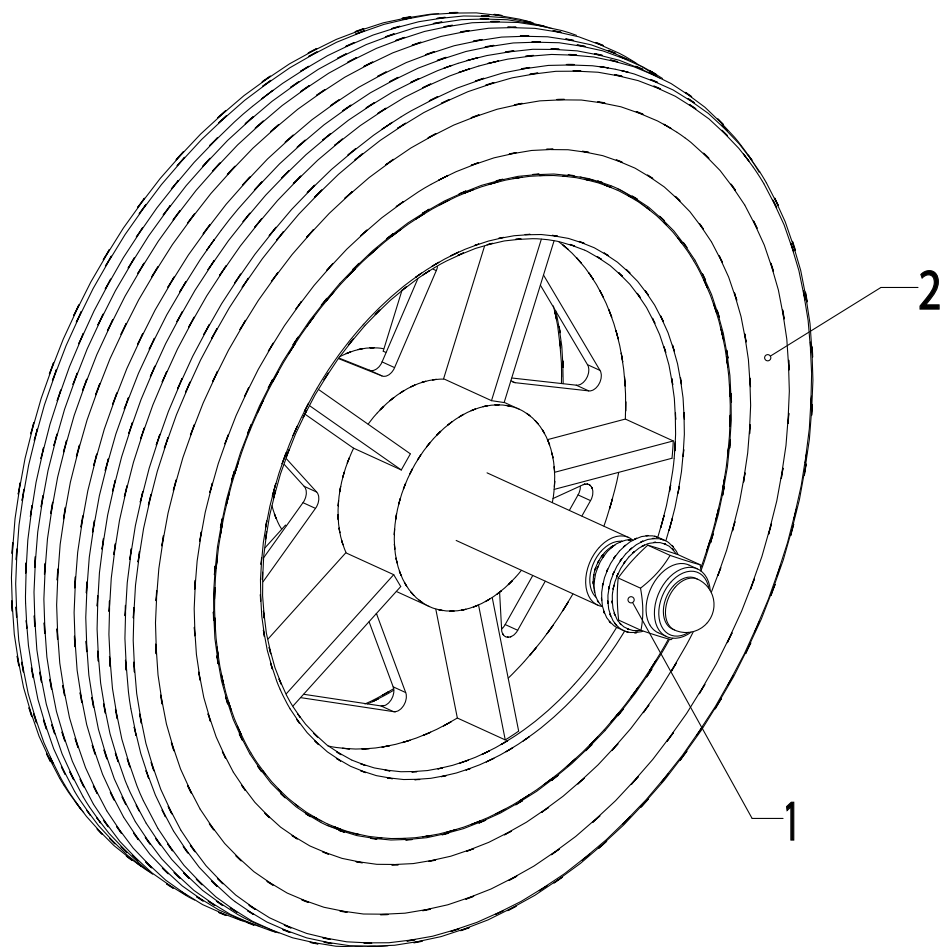


Item	Article number	Article description	Quantity	Unit
1-7	HR24161800	Extra high grip bar, size 1, with forearm supports, complete	1	pc.
	HR24261800	Extra high grip bar, size 2, with forearm supports, complete	1	pc.
	HR24361800	Extra high grip bar, size 3, with forearm supports, complete	1	pc.
1	HR24161860E	Grip bar attachment tube, high, size 1, left, complete	1	pc.
	HR24261860E	Grip bar attachment tube, high, size 2 + size 3, left, complete	1	pc.
2	HR24161870E	Grip bar attachment tube, high, size 1, right, complete	1	pc.
	HR24261870E	Grip bar attachment tube, high, size 2 + size 3, right, compl.	1	pc.
3	HR24161710	Short grip bar, size 1, silver anodized	1	pc.
3	HR24261710	Short grip bar, size 2, silver anodized	1	pc.
3	HR24361710	Short grip bar, size 3, silver anodized	1	pc.
4-7	HR24161850E	Adjustable forearm support for size 1, complete	2	pcs
	HR24261850E	Adjustable forearm support for sizes 2+3, complete	2	pcs
5	HR24161820	Pad for forearm support for size 1, black	2	pcs
	HR24261820	Pad for forearm support for sizes 2+3, black	2	pcs
6	HR24161821	Forearm support, 160 mm	2	pcs
	HR24261821	Forearm support, 210 mm	2	pcs
7	HR11290046	Grip cover, TPE, black d20x120	2	pcs

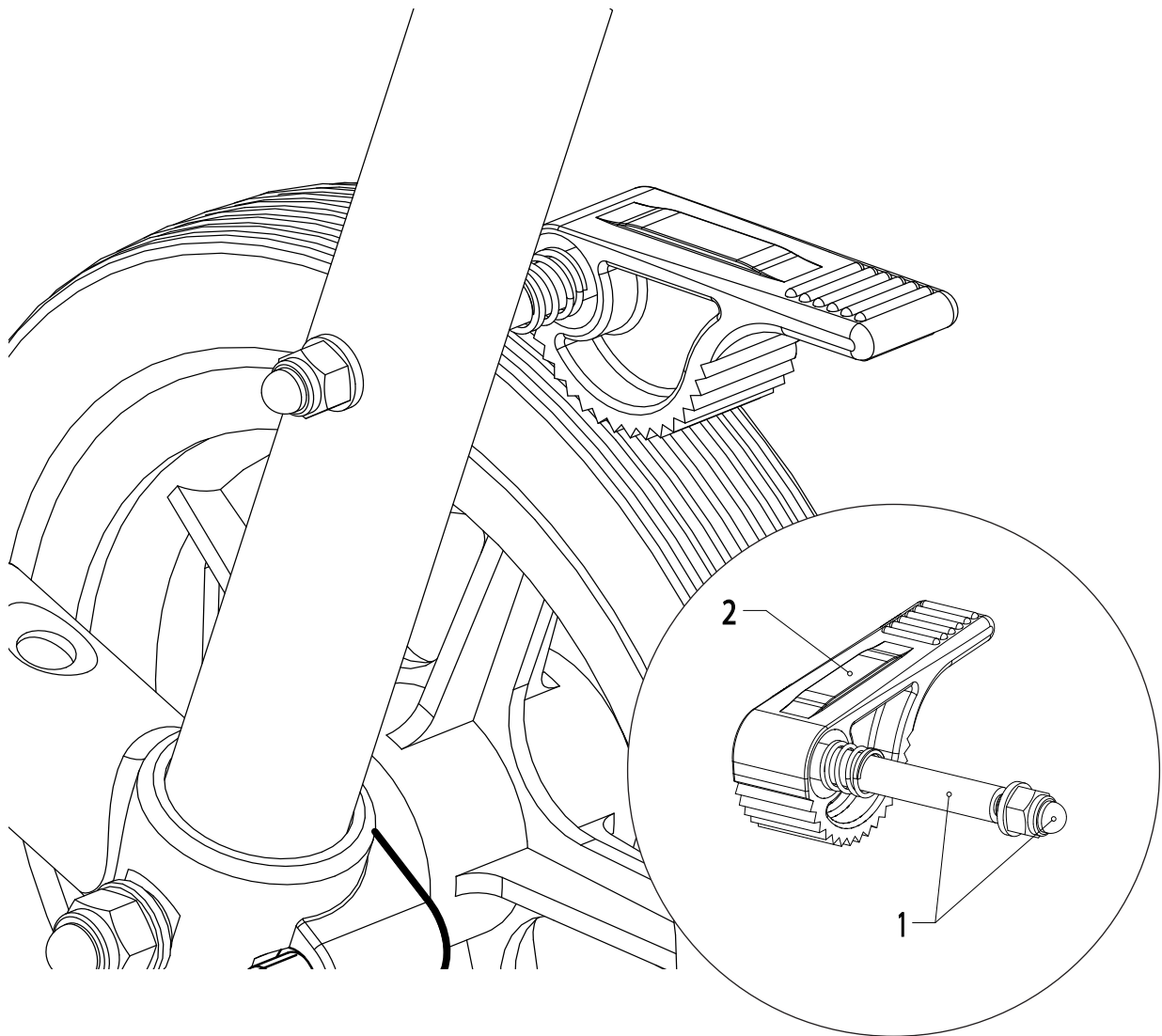


Item	Article number	Article description	Quantity	Unit
1+2	HR24161200E	Front wheel with castor fork, complete	2	pcs
1	HR24161210E	Castor fork with screw accessories	2	pcs
2	HR24161220E	EVA-wheel D150x30 with screw accessories	2	pcs

Rear Wheels



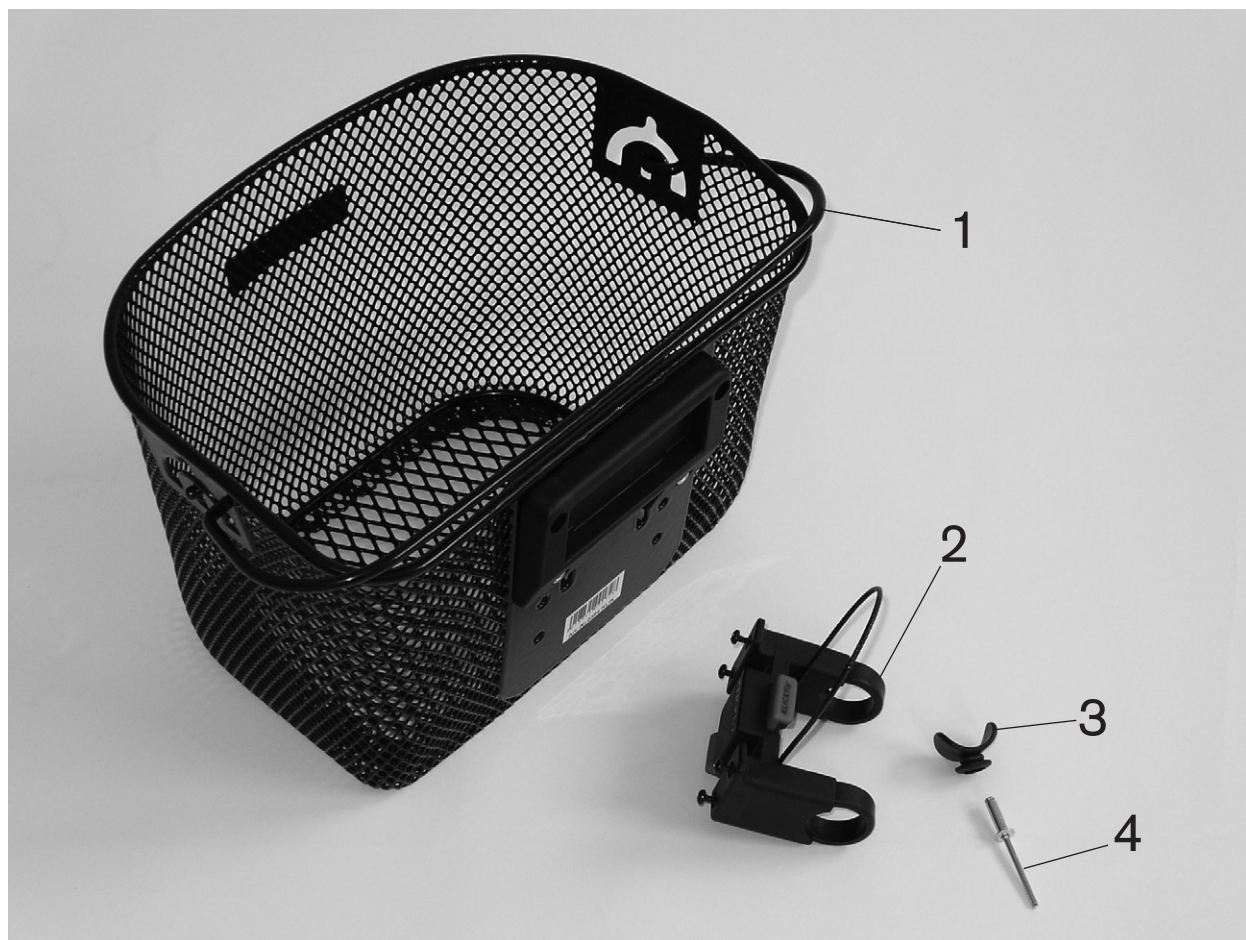
Item	Article number	Article description	Quantity	Unit
1+2	HR24161400E	Rear wheel for size 1, complete	2	pcs
	HR24261400E	Rear wheel for size 2 + size 3, complete	2	pcs
2	HR12311585	EVA-wheel for size 1, D150x30, bearing 10mm, black	2	pcs
	HR12311584	EVA-wheel for sizes 2+3, D200x30, bearing 12mm, black	2	pcs



Item	Article number	Article description	Quantity	Unit
1+2	HR24167400E	Reverse-roll lock for size 1, complete	1	pair
	HR24267400E	Reverse-roll lock for sizes 2 + 3, complete	1	pair
	HR24167410E	Reverse-roll lock for size 1, left, complete	1	pc.
	HR24267410E	Reverse-roll lock for sizes 2 + 3, left, complete	1	pc.
	HR24167420E	Reverse-roll lock for size 1, right, complete	1	pc.
	HR24267420E	Reverse-roll lock for sizes 2 + 3, right, complete	1	pc.
2	481H08=LT089	Reverse-roll lock, left	1	pc.
	481H08=RT089	Reverse-roll lock, right	1	pc.

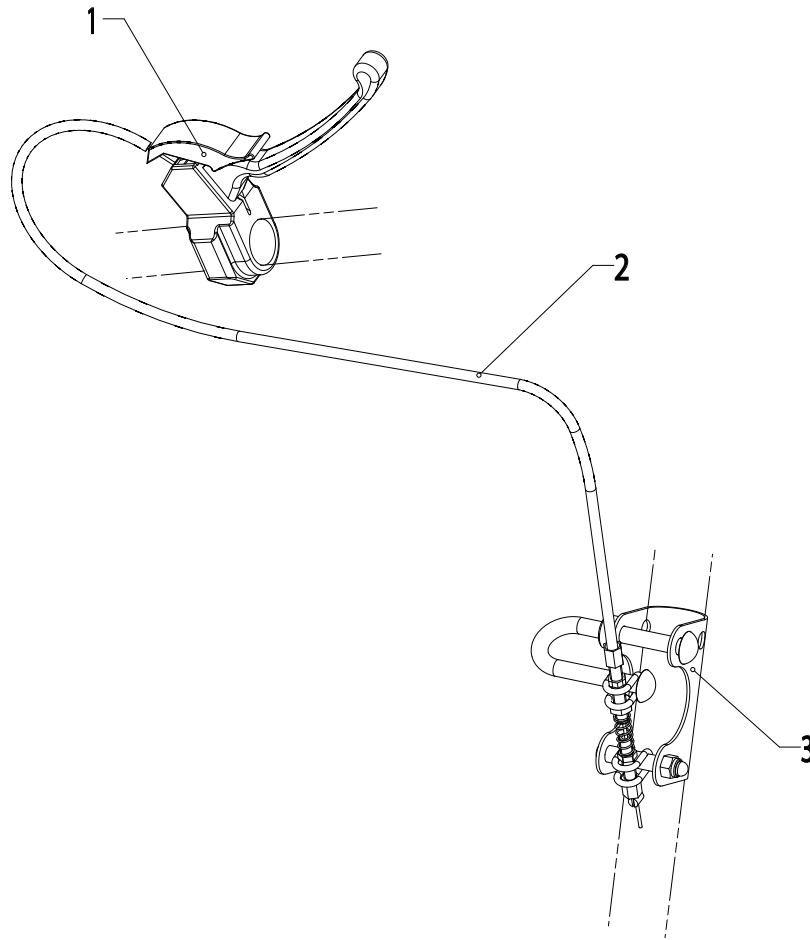
Spare Parts for Accessories

Storage basket



Item	Article number	Article description	Quantity	Unit
1-4	HR24168200	Storage basket, complete	1	pc.
1	HR11900003	Mini basket, fine-meshed, black	1	pc.
2	HR11900004	Mounting adapter, removable	1	pc.
3	HR11410055	Bag holder, black	1	pc.
4	HR10650518	Blind rivet St/St 5x18 DIN7337	1	pc.

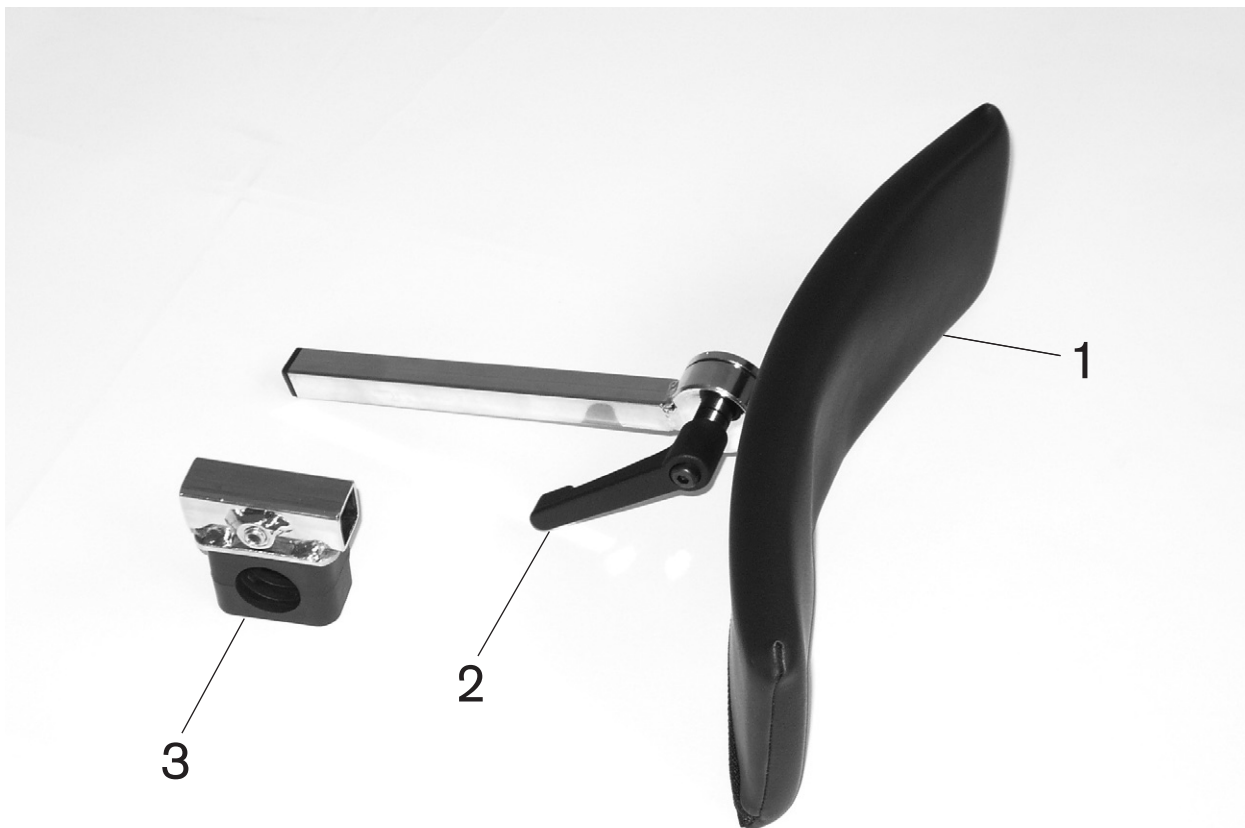
Driving brake and wheel lock



Item	Article number	Article description	Quantity	Unit
1a,2a,3	HR24168100	Driving brake and wheel lock for standard grip bar size 1	2	pc.
1a,2b,3	HR24268100	Driving brake and wheel lock for standard grip bar size 2	2	pc.
1a,2c,3	HR24368100	Driving brake and wheel lock for standard grip bar size 3	2	pc.
1b,2a,3	HR24168800	Driving brake and wheel lock for universal grip bar size 1	2	pc.
1b,2b,3	HR24268800	Driving brake and wheel lock for universal grip bar size 2	2	pc.
1b,2c,3	HR24368800	Driving brake and wheel lock for universal grip bar size 3	2	pc.
1b,1c,2b,3	HR24168700	Driving brake and wheel lock for extra high grip bar size 1	2	pc.
1b,1c,2c,3	HR24268700	Driving brake and wheel lock for extra high grip bar size 1	2	pc.
1b,1c,2d,3	HR24368700	Driving brake and wheel lock for extra high grip bar size 1	2	pc.
1a	HR11290050	Brake lever with lock d25	2	pc.
1b	HR11290002	Brake lever with lock d22	2	pc.
1c (no ill.)	HR32012313	Slotted plastic bushing d25/d22.5/28	2	pc.
2a	HR11290024	Brake cable 690/850	2	pc.
2b	HR11290110	Brake cable 900/1050	2	pc.
2c	HR11290021	Brake cable 1000/1150	2	pc.
2d	HR11290027	Brake cable 1100/1250	2	pc.
3	HR24168110E	Brake with brake cable guide	2	pc.

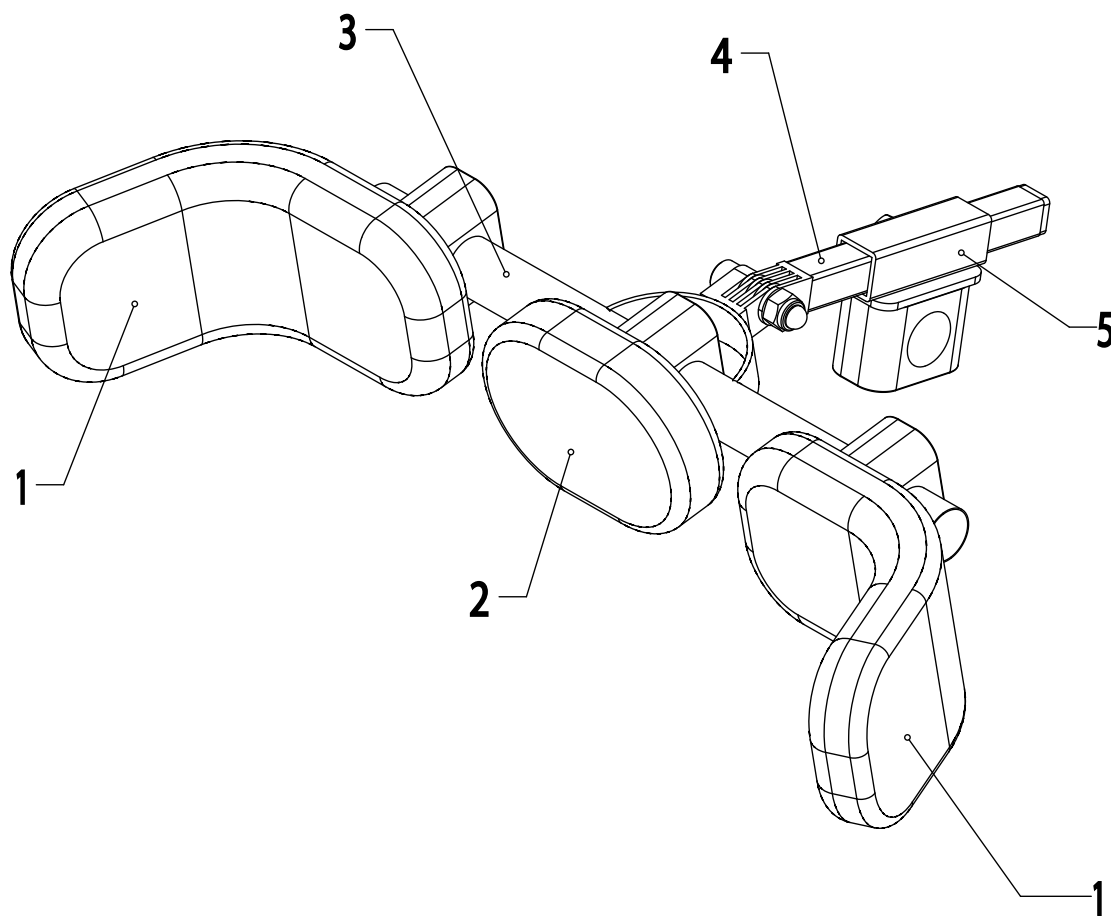
Spare Parts for Accessories

Gluteal support



Item	Article number	Article description	Quantity	Unit
1-3	HR24168300	Gluteal support, complete	1	pc.
1	HR24100045E	Pad for gluteal support	1	pc.
2	HR11210815	Clamping lever M8x16	1	pc.
3	HR24168430E	Attachment for gluteal support, complete	1	pc.

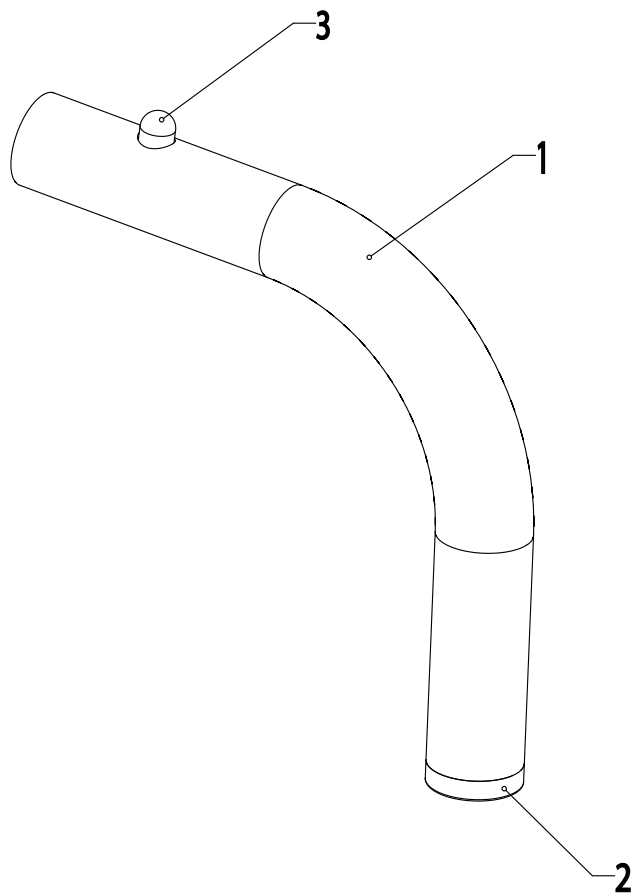
Combined gluteal and pelvic supports



Item	Article number	Article description	Quantity	Unit
1-5	HR24168400	Combined gluteal and pelvic supports, complete	1	pc.
1	HR24167720	Pelvic support, foamed	2	pcs
2	HR24168450	Gluteal support, foamed	1	pc.
5	HR24168430E	Attachment for gluteal support, complete	1	pc.

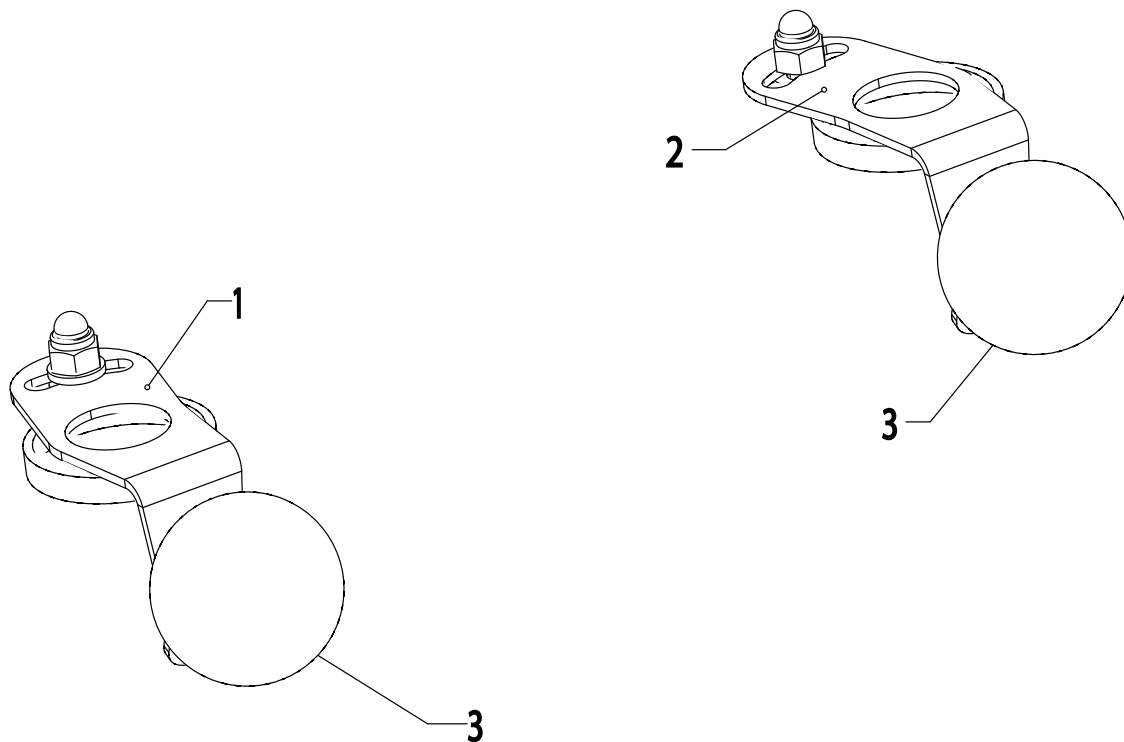
Spare Parts for Accessories

Anti-tipper



Item	Article number	Article description	Quantity	Unit
1-3	HR24167300-xxx	Anti-tipper for size 1, complete	2	pcs
	HR24267300-xxx	Anti-tipper for size 2 and size 3, complete	2	pcs
1	HR24167311-xxx	Bent anti-tipper tube for size 1	2	pcs
	HR24267311-xxx	Bent anti-tipper tube for size 2 and size 3	2	pcs
2	HR11410014	Lamellar plug	2	pcs
3	HR11340003	Tripod spring with pin 8x10	2	pcs

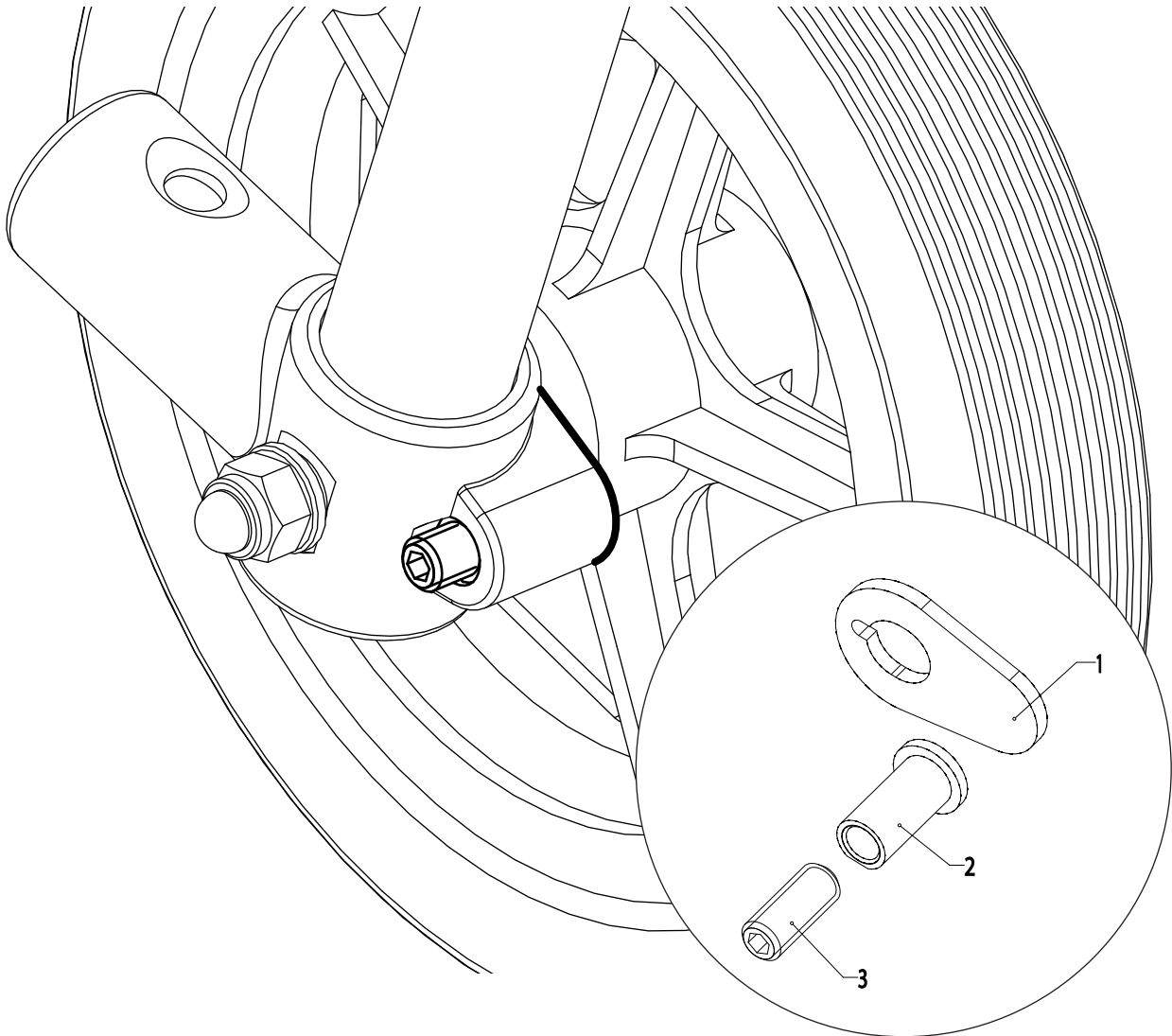
Caster swivel lock



Item	Article number	Article description	Quantity	Unit
1-3	HR24167100	Caster swivel lock, pair, complete	1	pc.
2+3	HR24167101E	Caster swivel lock, left	1	pc.
1+3	HR24167102E	Caster swivel lock, right	1	pc.
3	HR11250804	Ball handle D40/M6 thermoplast, black, M6	2	pcs

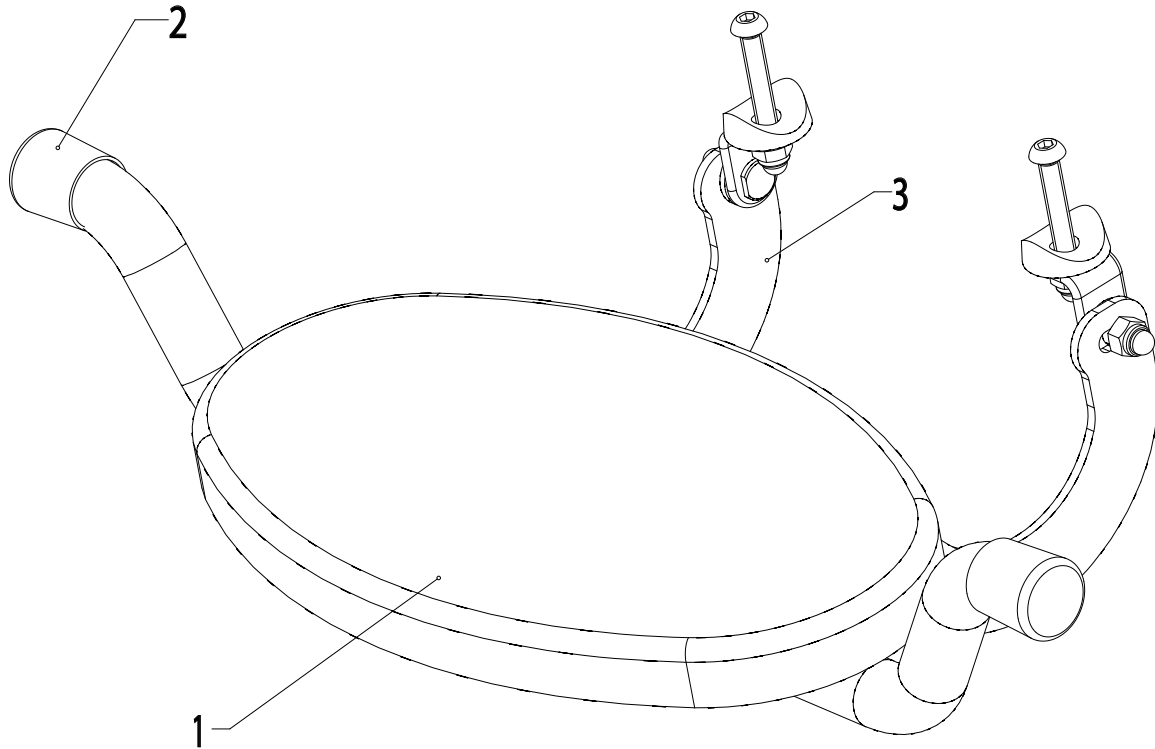
Spare Parts for Accessories

Friction brake



Item	Article number	Article description	Quantity	Unit
1-3	HR24167200	Friction brake	2	pcs

Seat



Item	Article number	Article description	Quantity	Unit
1-3	HR24167500-xxx	Seat, size 1, complete	1	pc.
	HR24267500-xxx	Seat, size 2, complete	1	pc.
	HR24367500-xxx	Seat, size 3, complete	1	pc.
1	HR24167520	Seat, foamed, black, for size 1 + size 2	1	pc.
	HR24267520	Seat, foamed, black, for size 3	1	pc.
2	HR11420002	Cover cap, PVC, black, K20	2	pcs

Hersteller/Manufacturer:

Otto Bock HealthCare GmbH

Max-Näder-Straße 15 · 37115 Duderstadt/Germany

National: Telefon 0 55 27-848 1461/1462/1463 · Fax 0 55 27-848 14 60

International: Phone +49-5527-848-1304/1562/1590/1594/3663 · Fax +49-5527-848-1676

e-mail: reha@ottobock.de · Internet: <http://www.ottobock.com>

Versandanschrift für Rücksendungen/Address for Returns

Otto Bock HealthCare GmbH

Sälzerstraße 16 · D-56235 Ransbach-Baumbach



Otto Bock HealthCare GmbH has been certified by the German Society for the Certification of Quality Assurance Systems (DQS) in accordance with DIN EN ISO 9001 standard, reg. no. 779 (management system)