

*Otto Bock*<sup>®</sup>

QUALITY FOR LIFE

# *Ersatzteilekatalog Eco-Buggy*

## *Spare Part Catalog Eco-Buggy*





Bitte geben Sie bei allen Ersatzteilbestellungen die folgenden Grunddaten an, um eine reibungslose Lieferung zu gewährleisten:

- 1) Serien-Nr. des Produktes
- 2) Rahmenbreite
- 3) Rahmenfarbe
- 4) Polsterfarbe

When ordering spare parts, please always indicate the following basic data to ensure smooth delivery:

- 1) Serial no. of the product
- 2) Frame width
- 3) Frame color
- 4) Padding color

**Materialkennzeichen, die am Ende der Materialnummer mit (xxx) gekennzeichnet sind, müssen mit einem Rahmenfarbcode oder Polsterfarbcode vervollständigt werden.**

**Article numbers which have (xxx) at the end must be completed with a code number for the frame color or padding color.**

## **Inhalt** \_\_\_\_\_ Seite

Stichwortverzeichnis .....	4
Baugruppenübersicht .....	5

## **Contents** \_\_\_\_\_ Page

Index .....	17
Component Overview .....	18

**Otto Bock®**

QUALITY FOR LIFE

Hersteller/Manufacturer:  
 Otto Bock HealthCare GmbH  
 Rehabilitation & Pflege  
 Max-Näder-Straße 15-D-37115 Duderstadt  
 National: Tel. (05527) 848 1461-63  
 Fax (05527) 848 14 60  
 International: Tel. +49-55 27-848-1304/1562/1590/1594/3663  
 Fax +49-55 27-848-1676  
 e-mail: reha@ottobock.de · Internet: http://



Otto Bock has been certified by the German Society for the Certification of Quality Assurance Systems (DQS) in accordance with DIN EN ISO 9001 standard, reg. no. 779 (management system)

## **A**

Ablagetasche ..... 16

## **B**

Bremshebelverlängerung ..... 10

Beckengurt ..... 16

## **E**

EVA-Hinterad ..... 10

EVA-Vorderrad ..... 7

## **F**

Faltschere Rücken ..... 11

Fußbankanlage ..... 13

Fußbretter mit Verriegelung ..... 13

## **H**

Handgriff ..... 8

Hinterradbefestigung ..... 10

Hinterrahmen ..... 9

## **R**

Reparaturset-Verschraubungen ..... 16

Rückenfläche ..... 15

## **S**

Sitzfläche ..... 14

## **SCH**

Schiebegriff ..... 8

Schwenksicherung ..... 7

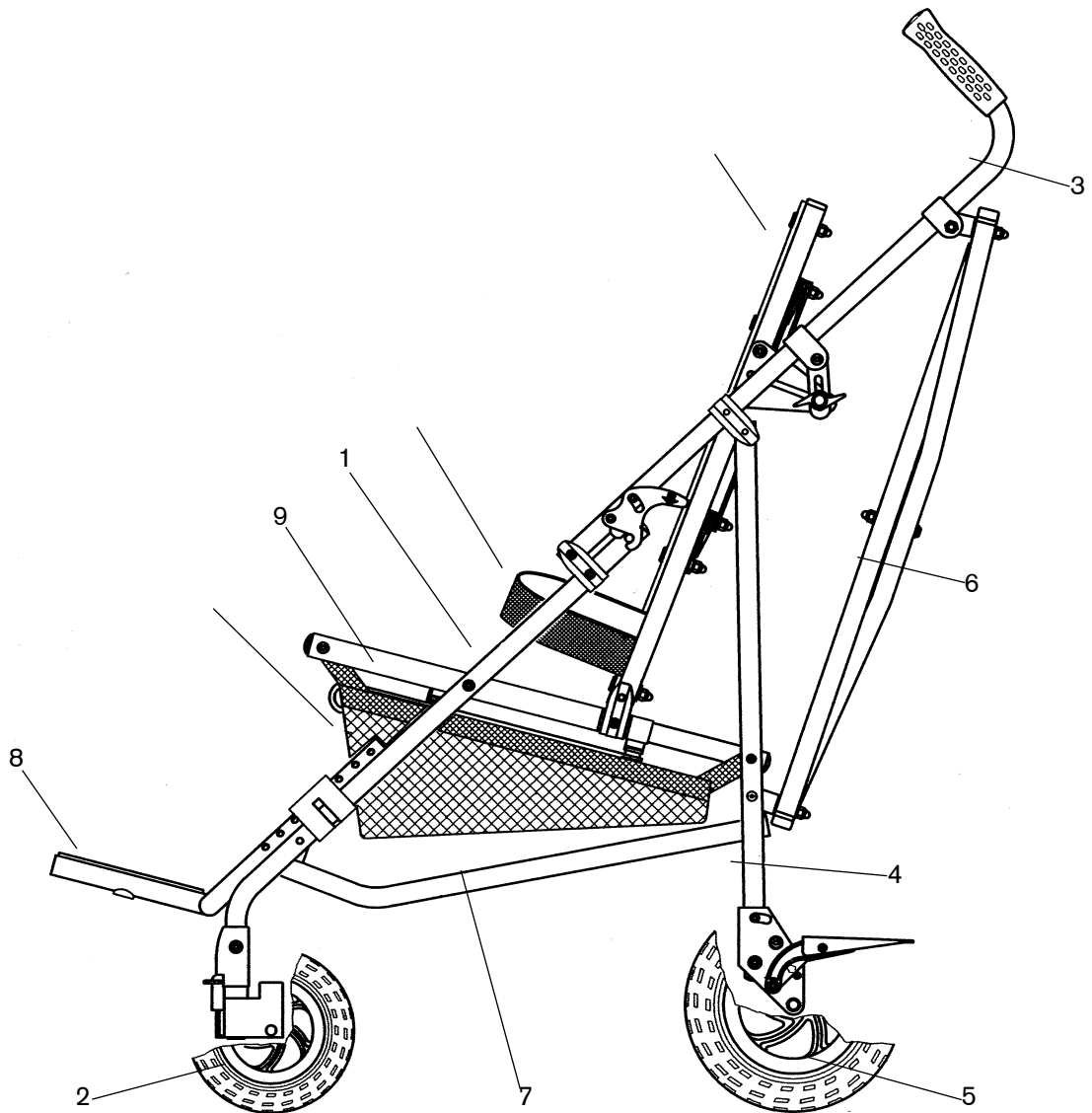
Schere Sitzfläche ..... 12

## **V**

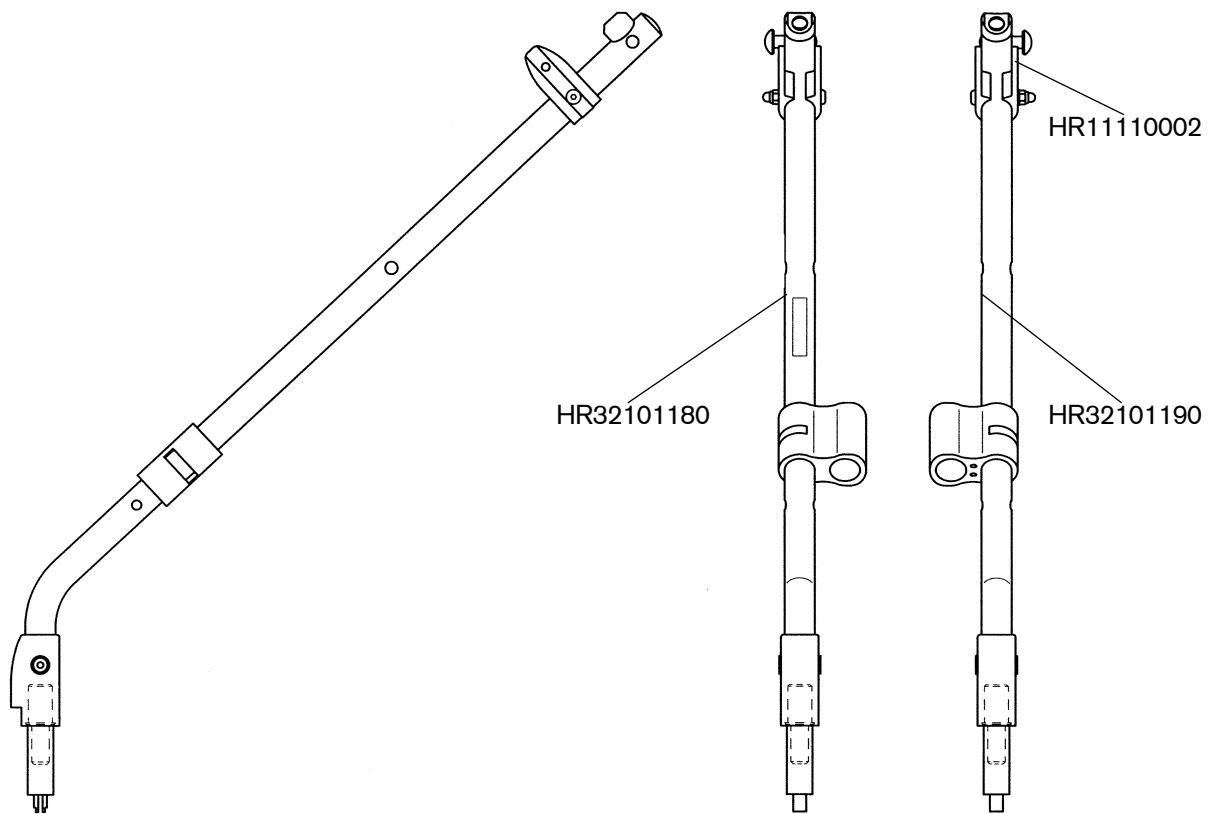
Verstellset ..... 15

Vorderradbefestigung ..... 7

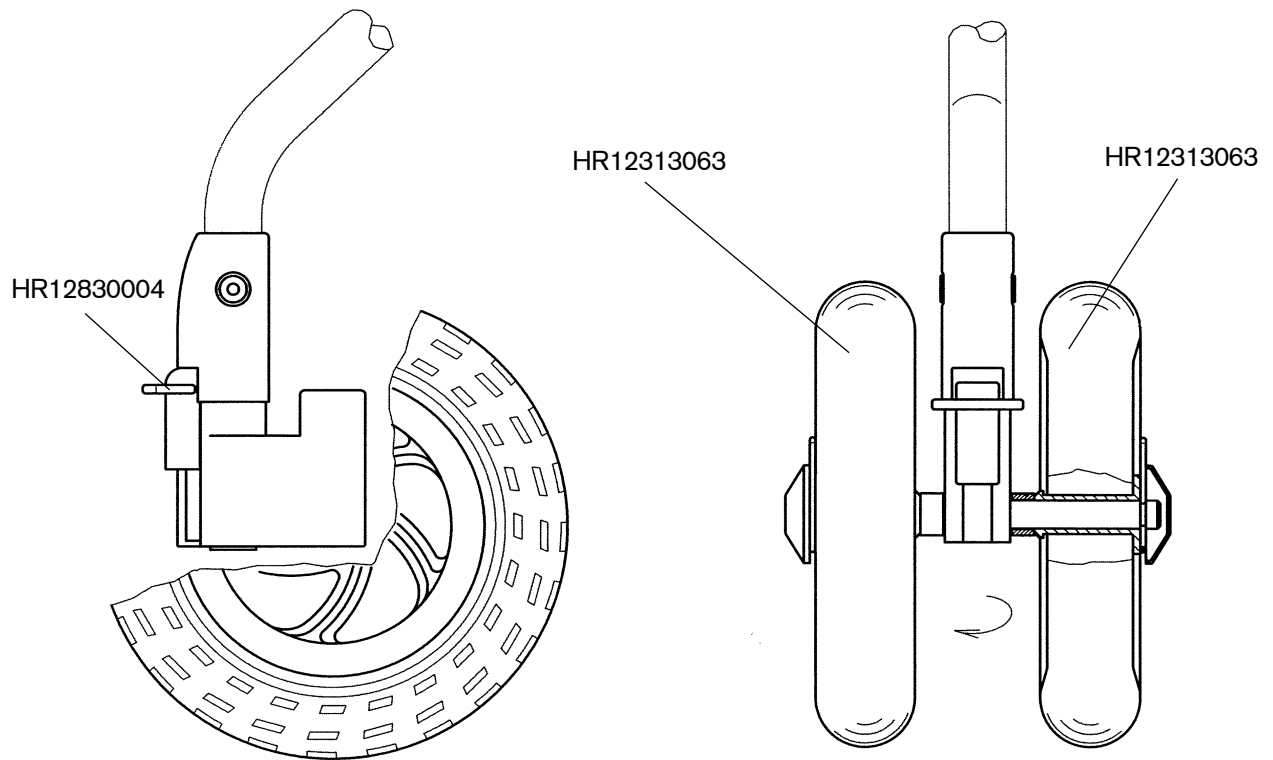
Vorderrahmen ..... 6



<i>Pos.</i>	<i>Baugruppe</i>	<i>Seite</i>
1	Vorderrahmen	4
2	Vorderradbefestigung	5
3	Schiebegriffe	6
4	Hinterrahmen	7
5	Hinterradbefestigung	8
6	Faltschere Rücken	9
7	Faltschere Sitz	10
8	Fußbankanlage	11
9	Sitzfläche	12
10	Rückenfläche	13
11	Ablagetasche	14
12	Beckengurt	14

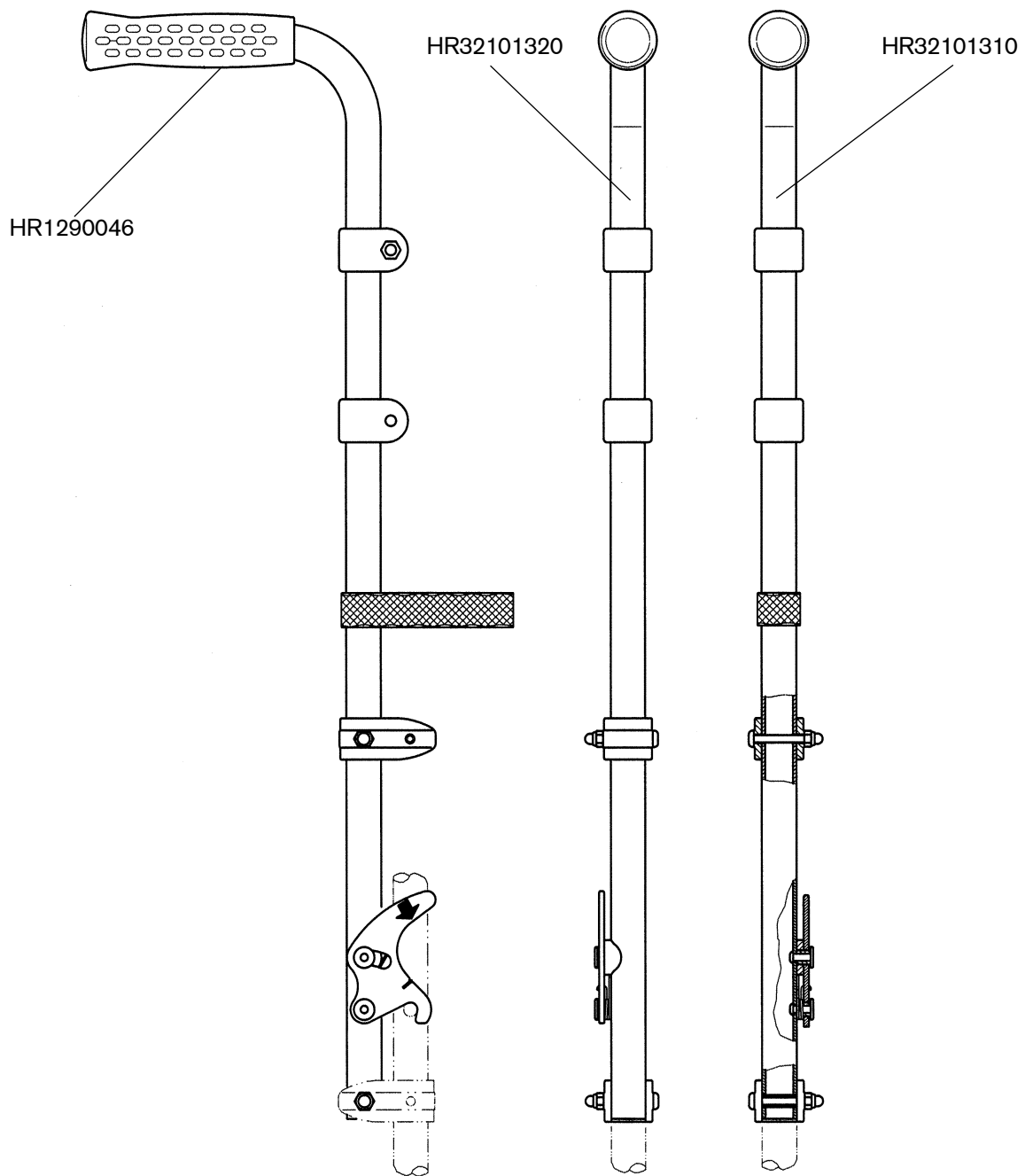


Pos.	Artikelnummer	Artikelbezeichnung	Menge
	HR32101180-xxxE	Vorderrahmen rechts komplett	1
	HR32101190-xxxE	Vorderrahmen links komplett	1
	HR11110002	Achsklemmkappe KD080 verzinkt (Kopfdurchmesser 16 mm)	2



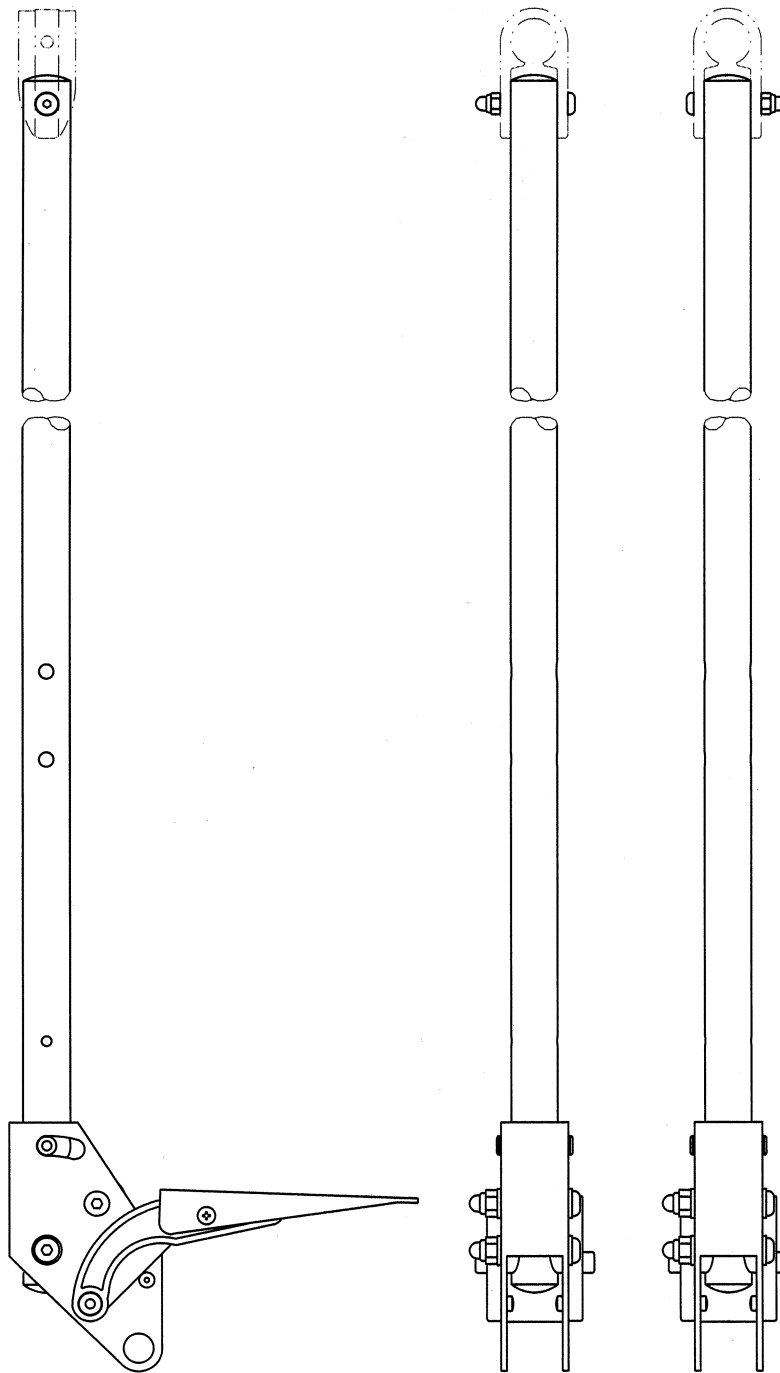
Pos.	Artikelnummer	Artikelbezeichnung	Menge
	HR32101200E	Vorderradbefestigung komplett	2
	HR12313063	EVA-Vorderrad mit abnehmbarer Buchse	4
	HR12830004	Schwenksicherung PP RAL 3000 feuerrot	2

# Schiebegriffe



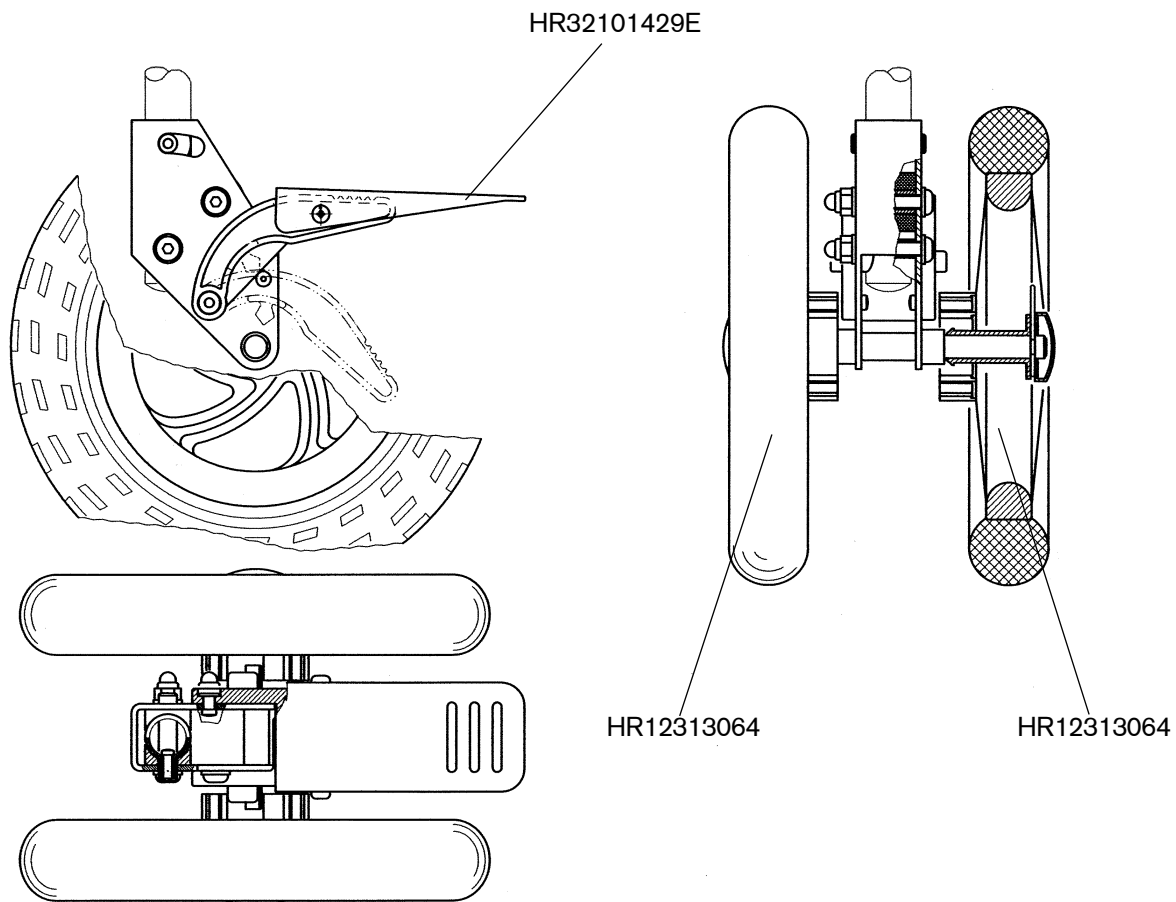
Pos.	Artikelnummer	Artikelbezeichnung	Menge
	HR 32101320-xxxE	Schiebegriff rechts komplett	1
	HR 32101310-xxxE	Schiebegriff links komplett	1
	HR11290046	Handgriff mit Dekor, N418/→ 20 TPE schwarz	2



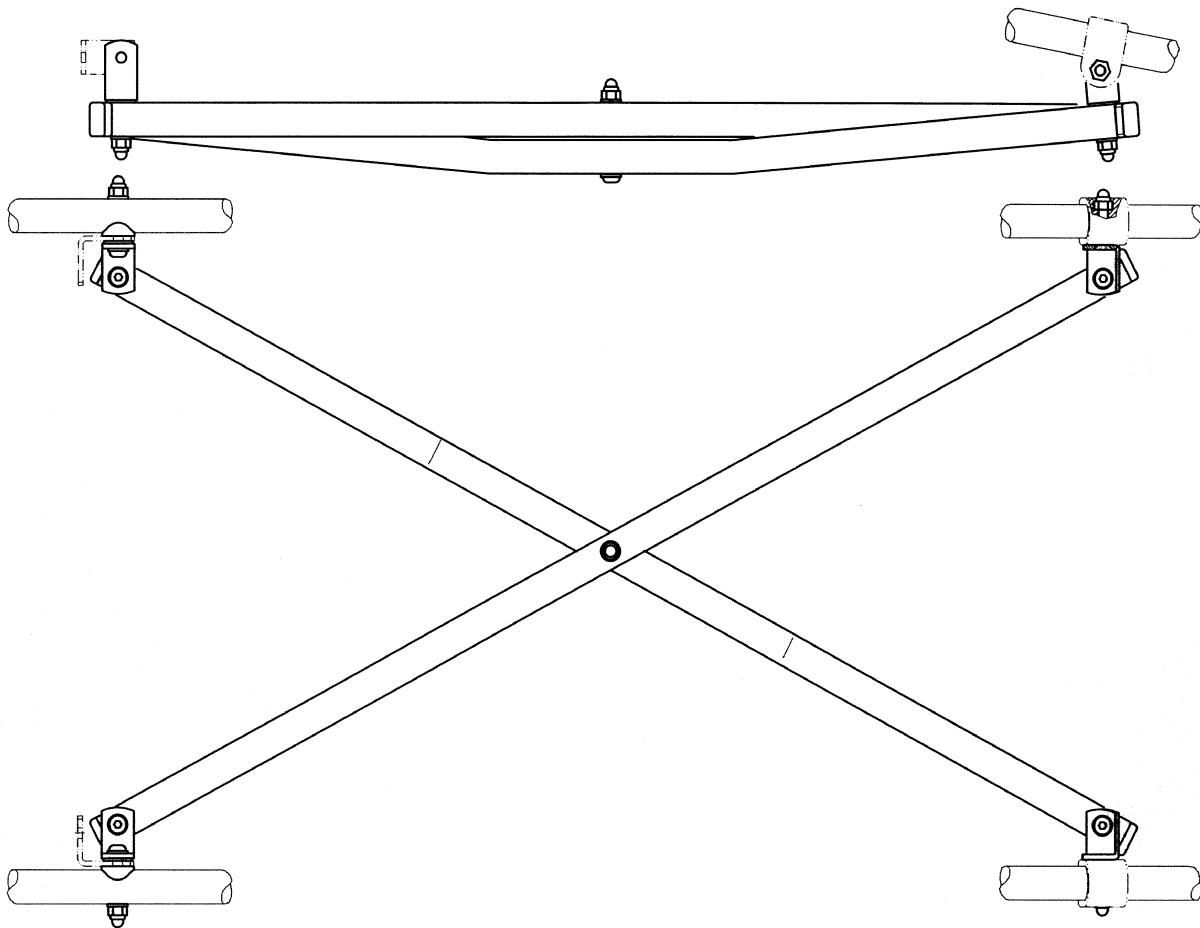


Pos.	Artikelnummer	Artikelbezeichnung	Menge
	HR32101400-xxxE	Hinterrahmen komplett	2

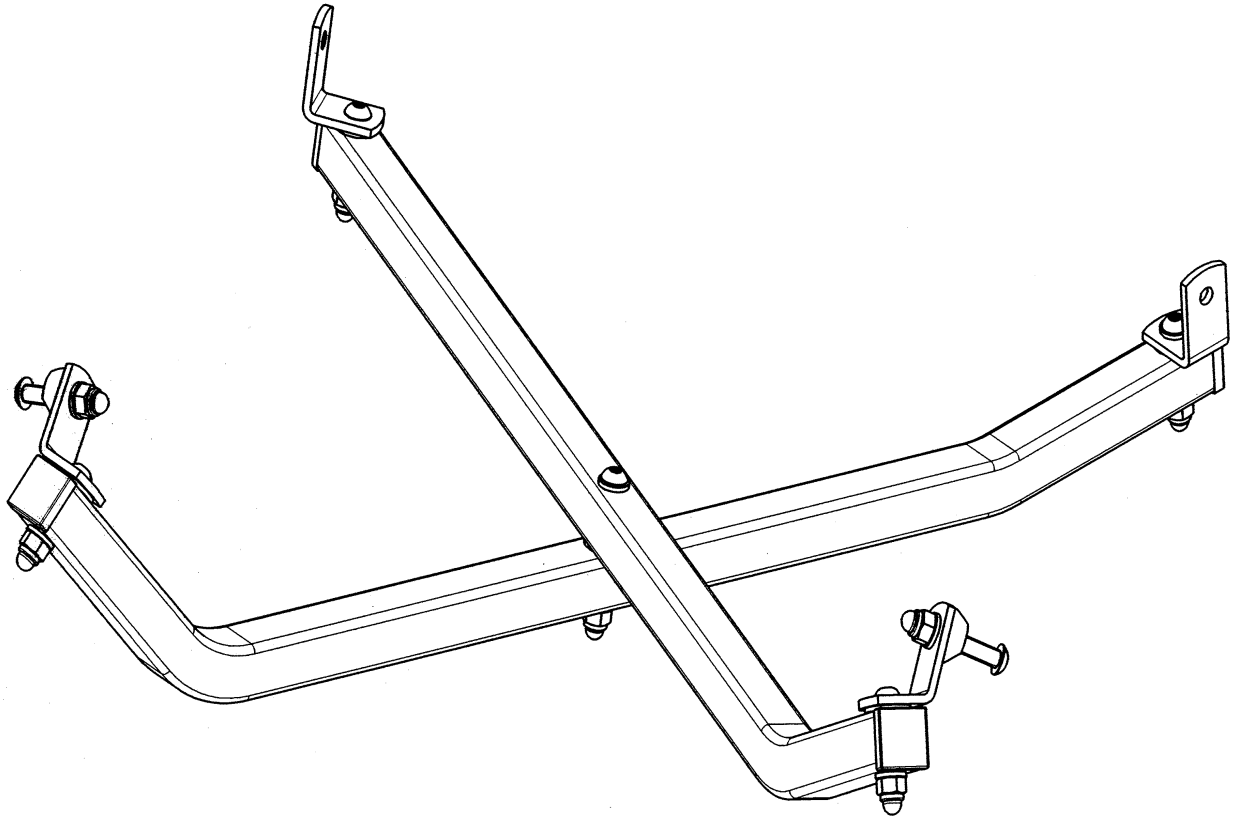
# Hinterradbefestigung



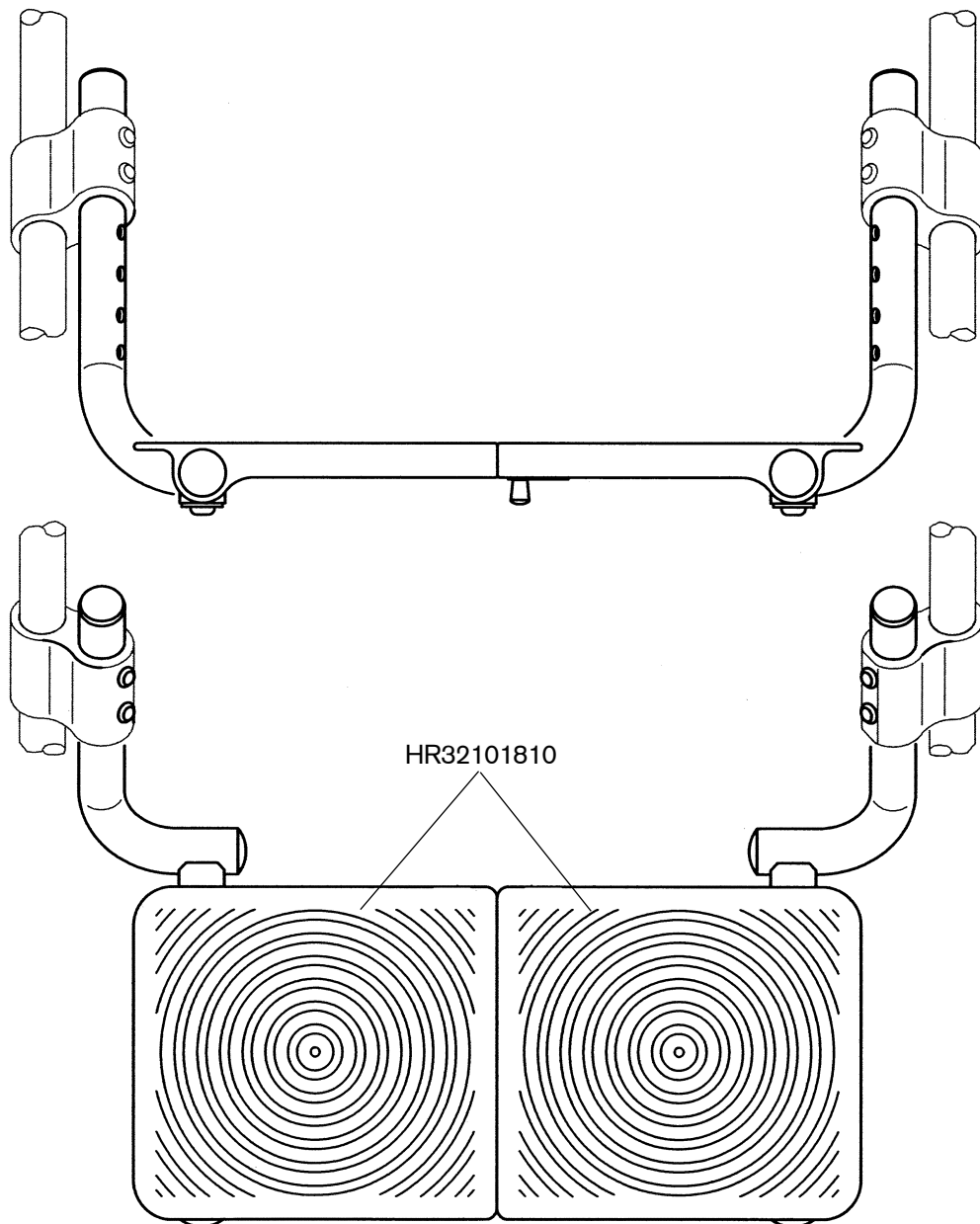
Pos.	Artikelnummer	Artikelbezeichnung	Menge
	HR32101420E	Hinterradbefestigung	
	HR32101429E	Bremshebelverlängerung, pulverbeschichtet, inkl. Schrauben	2
	HR12313064	EVA-Hinterrad mit Zahnkranz	4



Pos.	Artikelnummer	Artikelbezeichnung	Menge
	HR32101600-xxxE	Faltschere Rücken	1

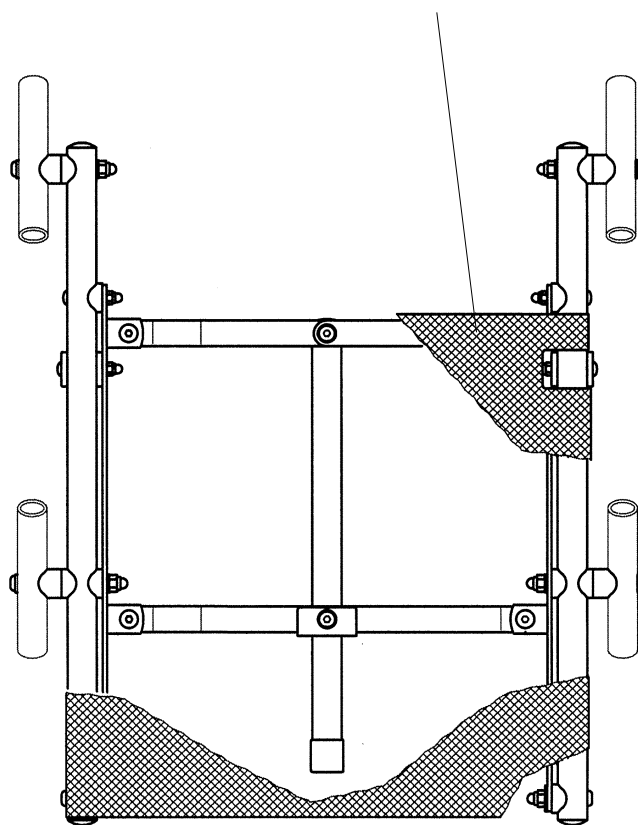
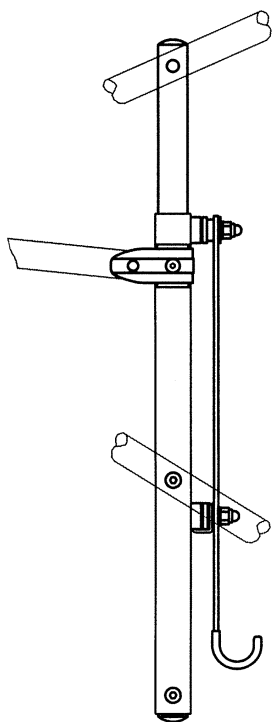
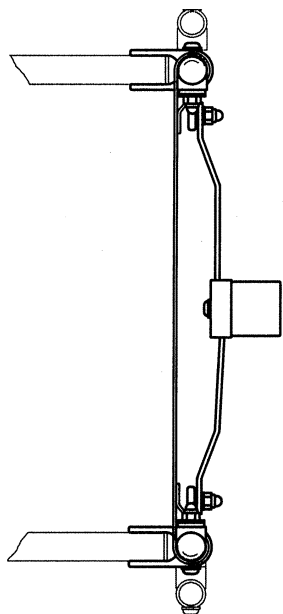


Pos.	Artikelnummer	Artikelbezeichnung	Menge
	HR32101700-xxxE	Schere Sitzfläche	1

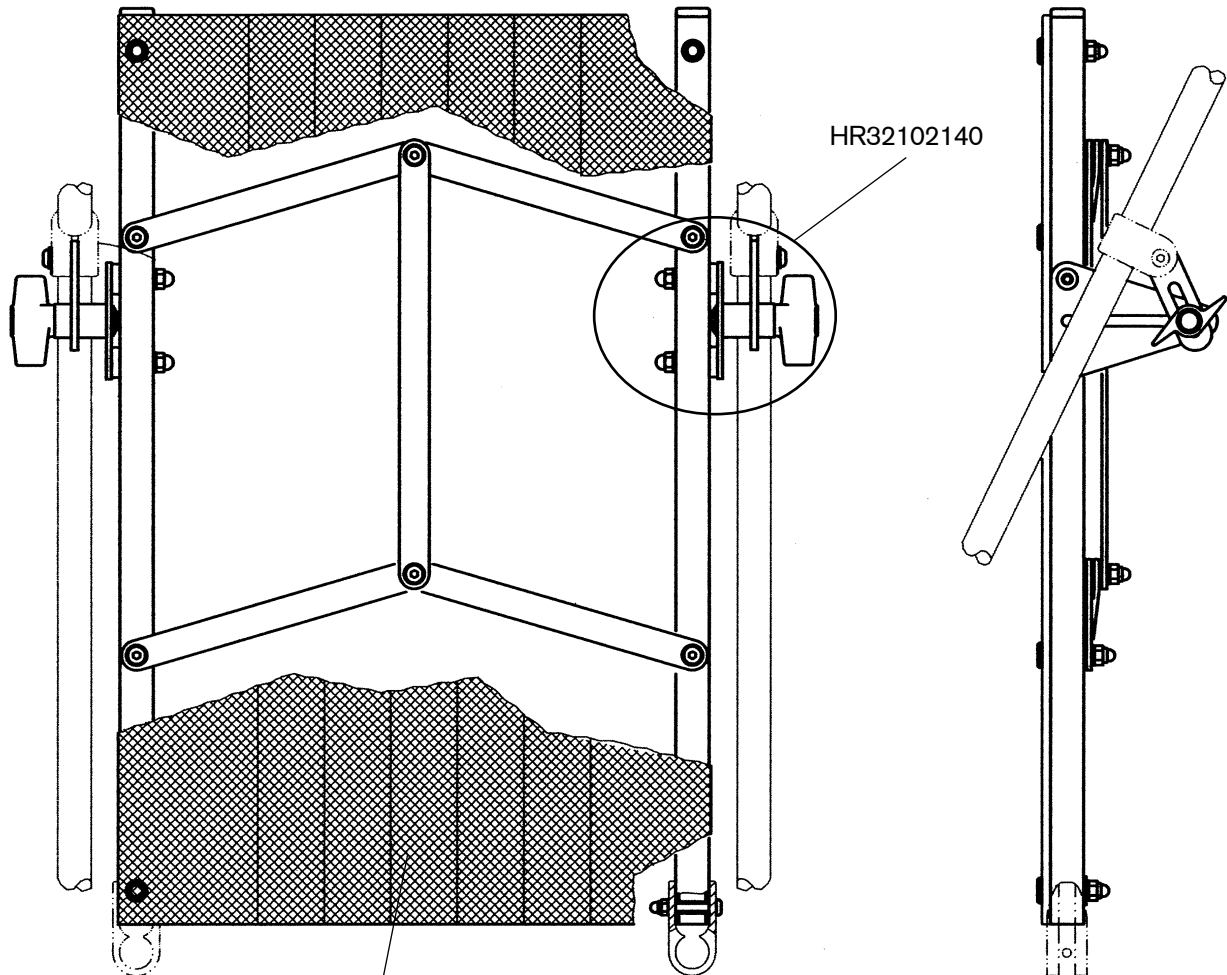


Pos.	Artikelnummer	Artikelbezeichnung	Menge
	HR32101800-xxxE	Fußbankanlage komplett	1
	HR32101810E	Fußbretter mit Verriegelung	1

# Sitzfläche



Pos.	Artikelnummer	Artikelbezeichnung	Menge
	HR32101900-xxxE	Sitzfläche komplett (ohne Bespannung)	1
	HR32105110E	Sitzbespannung	1



Pos.	Artikelnummer	Artikelbezeichnung	Menge
	HR32102100-xxxE	Rückenfläche komplett (ohne Bespannung)	1
	HR32105120E	Rückenbespannung	1
	HR32102140	Verstellset	2

*ohne Abbildung*

Pos.	Artikelnummer	Artikelbezeichnung	Menge
	HR32105300	Ablagetasche	1
	HR32075400E	Beckengurt	1
	HR32109010	Reparaturset- Verschraubungen- Scheiben- Stopfen	1



**A**

Adjustment Kit ..... 28  
 Anterior Frame ..... 19

**B**

Backrest ..... 28

**E**

EVA Front Wheel ..... 20  
 EVA Rear Wheel ..... 23

**F**

Folding Scissor Construction for Backrest ..... 24  
 Foot Plates with Lock ..... 26  
 Footrest Assembly ..... 26  
 Front Wheel Attachment ..... 20

**H**

Hand Grip ..... 21

**L**

Lap Belt ..... 29

**P**

Posterior Frame ..... 22  
 Push Handle ..... 21

**R**

Rear Wheel Attachment ..... 23  
 Repair Kit – Bolt Assemblies ..... 29

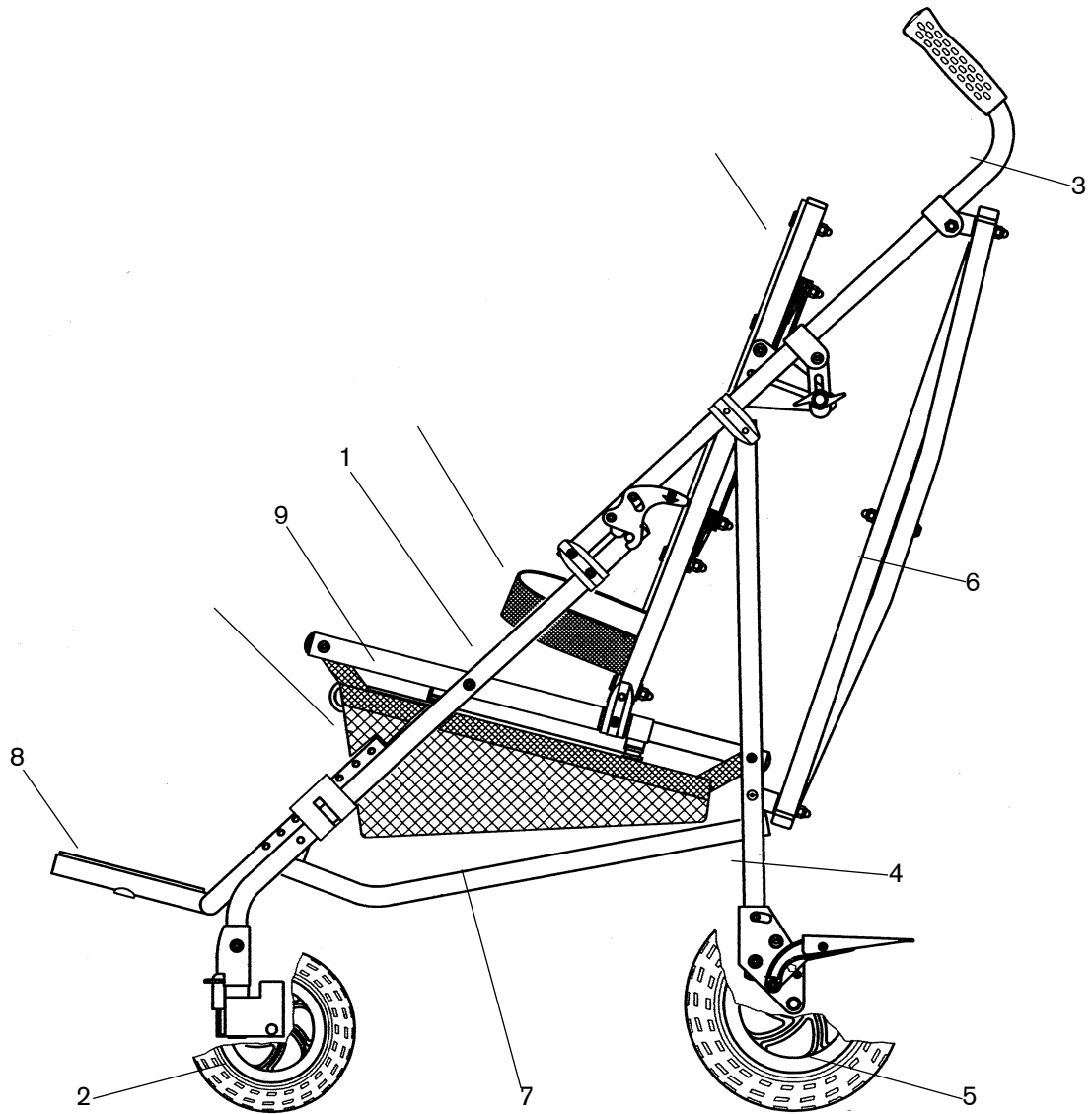
**S**

Scissor Construction for Seat Bottom ..... 25  
 Seat Bottom ..... 27  
 Storage Bag ..... 29  
 Swivel Lock ..... 20

**W**

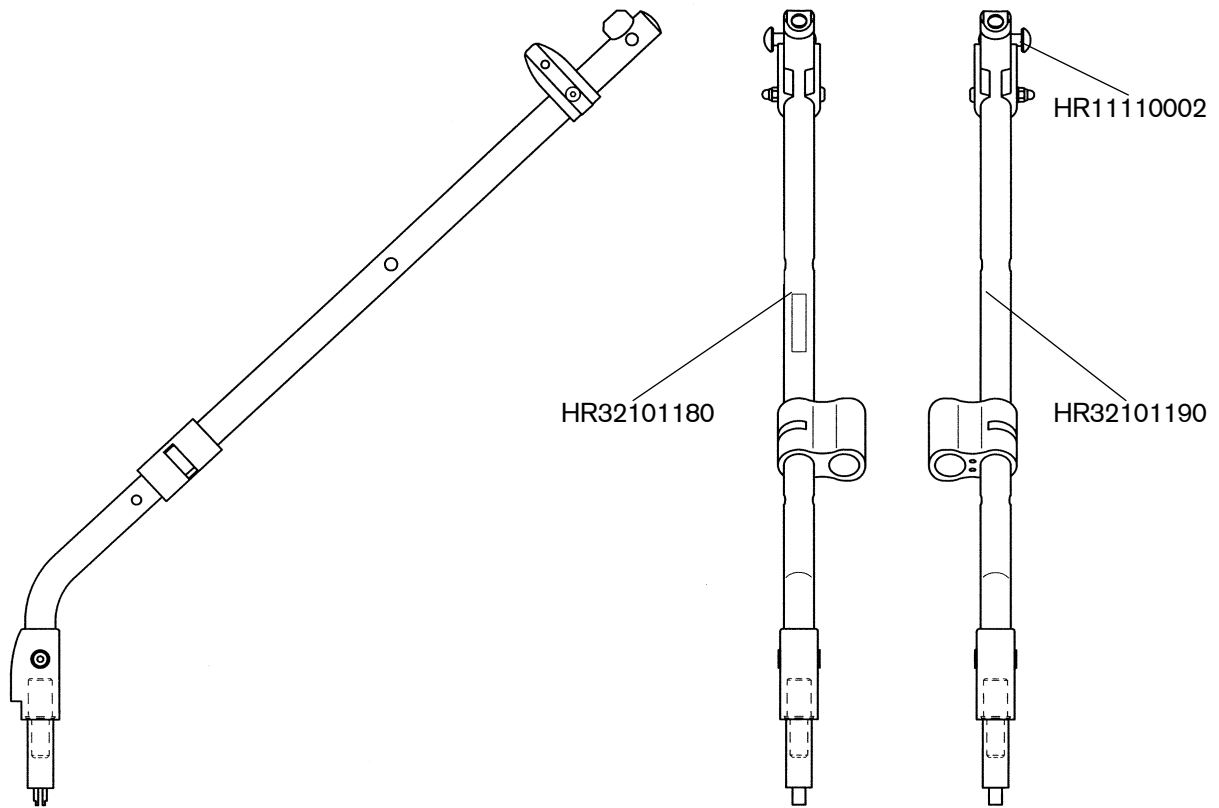
Wheel Lock Lever Extension ..... 23

# Component Overview



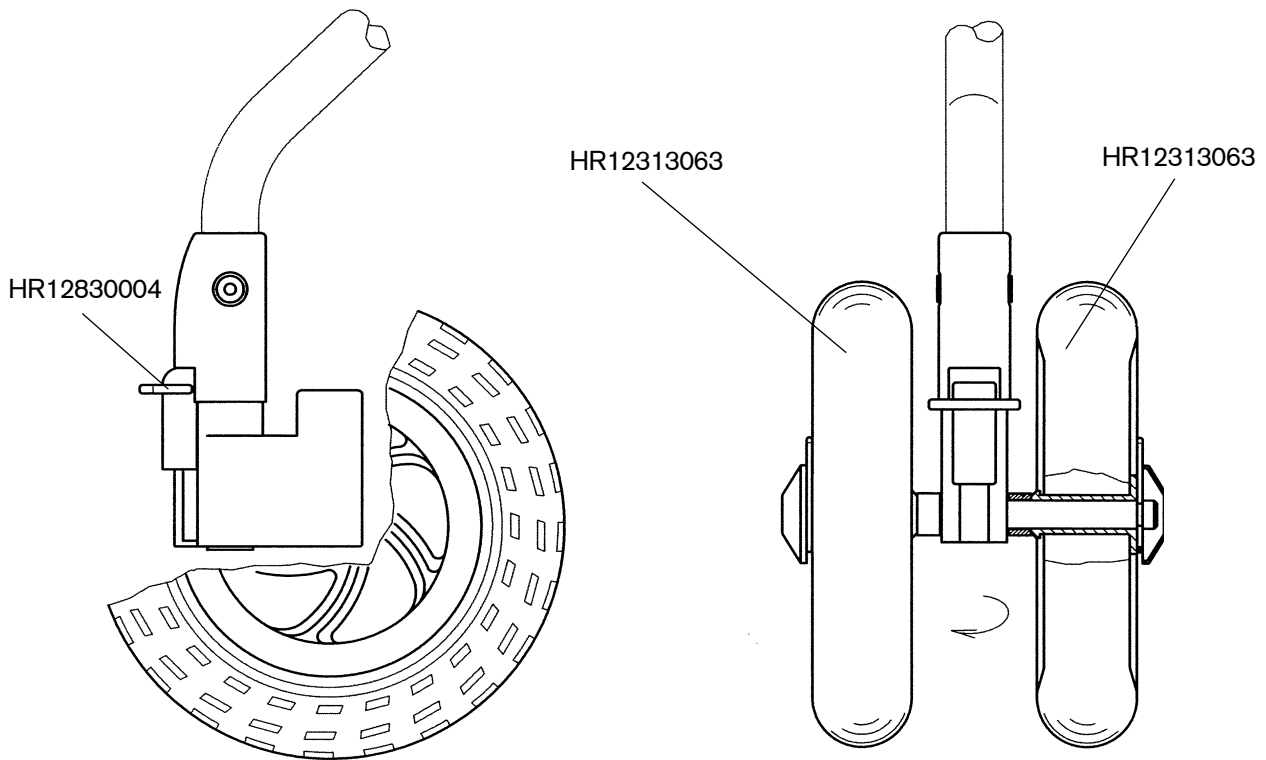
Pos.	Component group	Page
1	Anterior frame	19
2	Front wheel attachment	20
3	Push handles	21
4	Posterior frame	22
5	Rear wheel attachment	23
6	Folding scissor construction for backrest	24
7	Folding scissor construction for seat bottom	25
8	Footrest assembly	26
9	Seat bottom	27
10	Backrest	28
11	Storage bag	29
12	Lap belt	29

# Anterior Frame

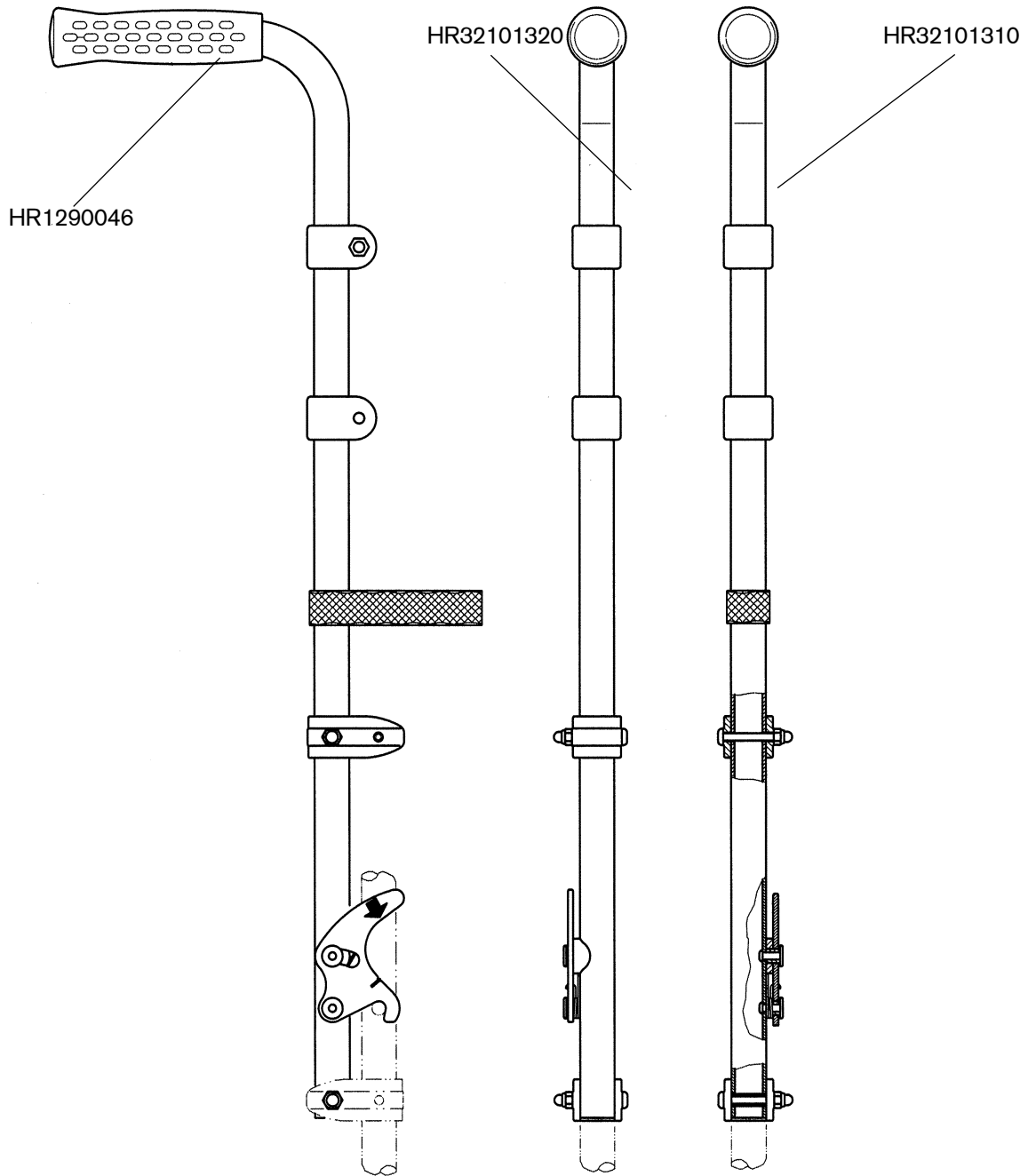


Pos.	Article number	Article description	Quantity
	HR32101180-xxxE	Anterior frame right complete	1
	HR32101190-xxxE	Anterior frame left complete	1
	HR11110002	Axle clamp cap KD080 galvanized (head diameter 16 mm)	2

# Front Wheel Attachment

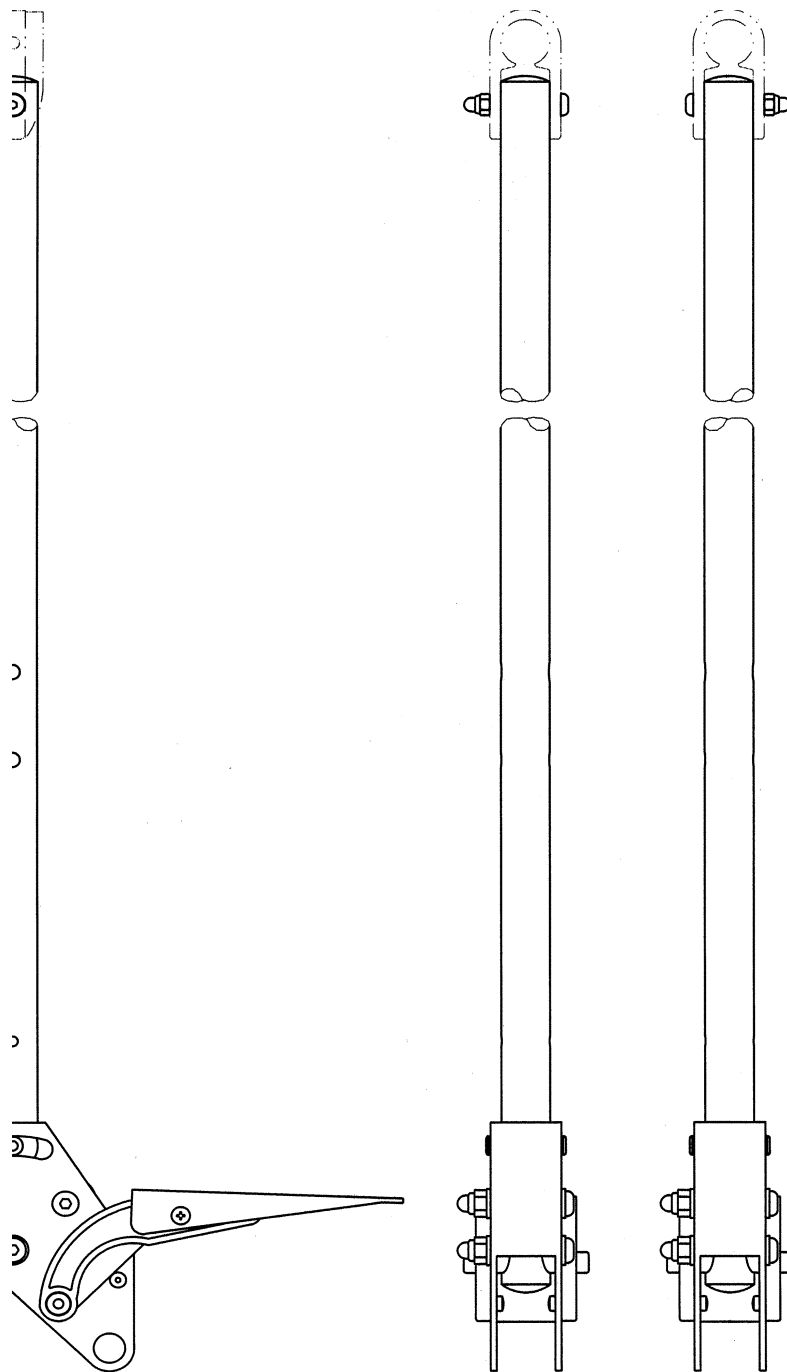


Pos.	Article number	Article description	Quantity
	HR32101200E	Front wheel attachment complete	2
	HR12313063	EVA front wheel with detachable bushing	4
	HR12830004	Swivel lock PP RAL 3000 flame red	2



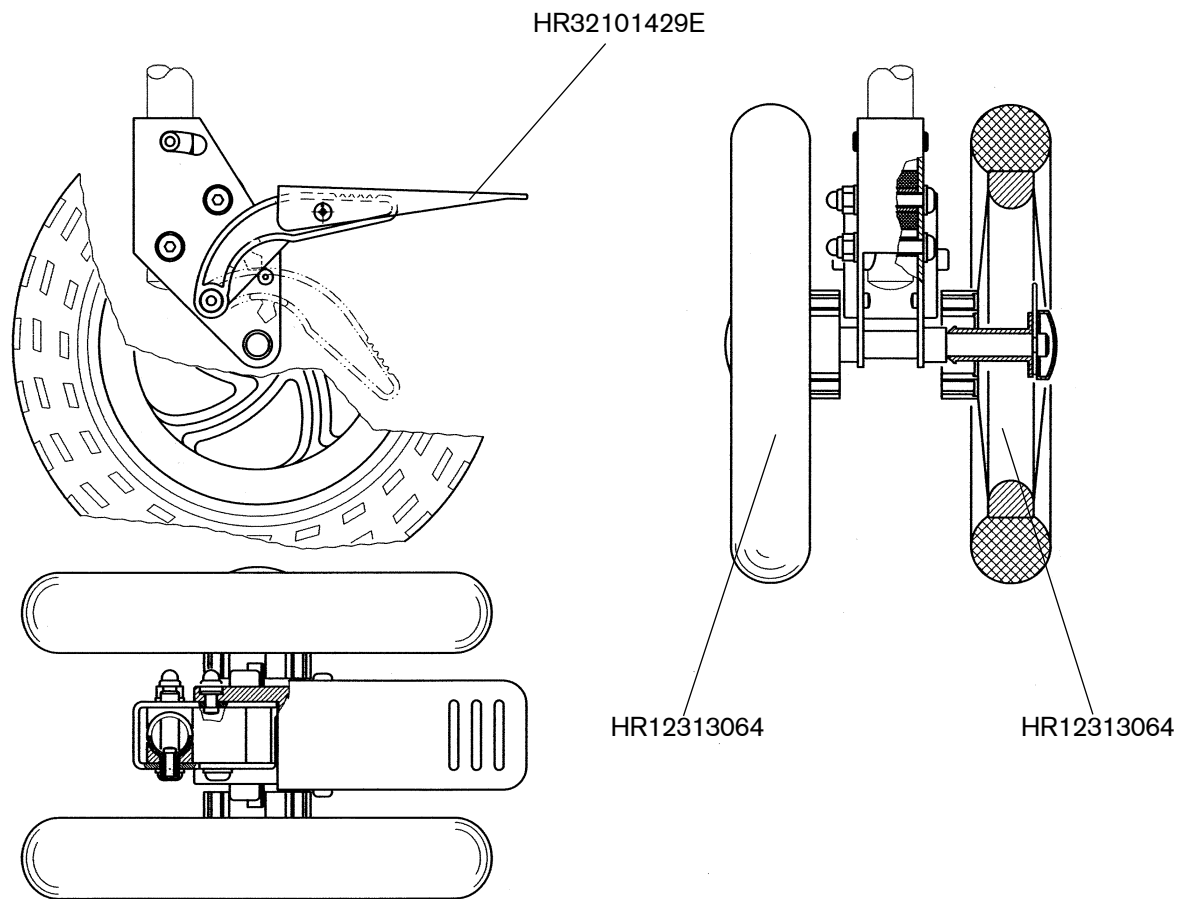
Pos.	Article number	Article description	Quantity
	HR 32101320-xxxE	Push handle right complete	1
	HR 32101310-xxxE	Push handle left complete	1
	HR11290046	Hand grip with decor, N418/→ 20 TPE black	2

# Posterior Frame



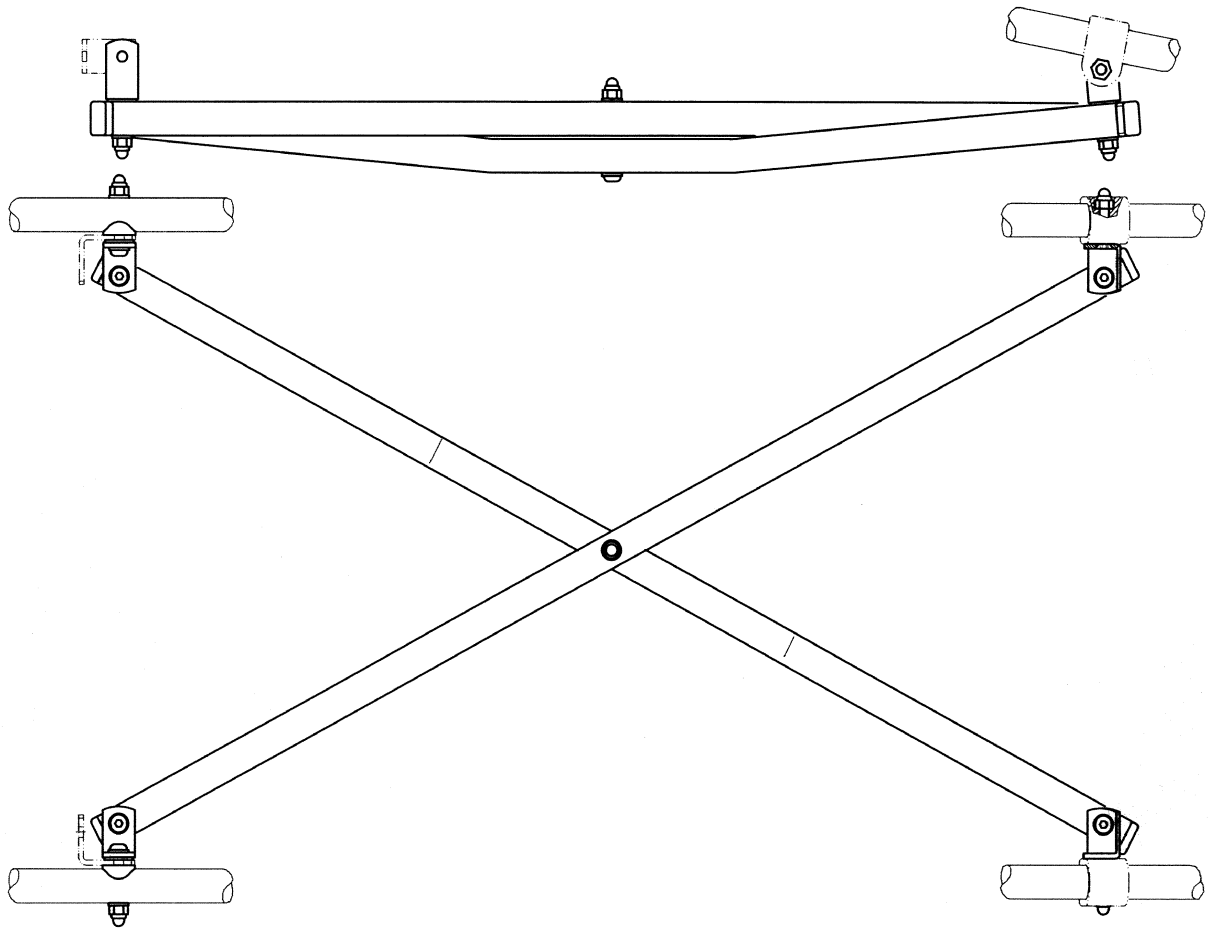
Pos.	Article number	Article description	Quantity
	HR32101400-xxxE	Posterior frame complete	2

# Rear Wheel Attachment



Pos.	Article number	Article description	Quantity
	HR32101420E	Rear wheel attachment	1
	HR32101429E	Wheel lock lever extension, powder-coated, incl. screws	2
	HR12313064	EVA rear wheel with toothed ring	4

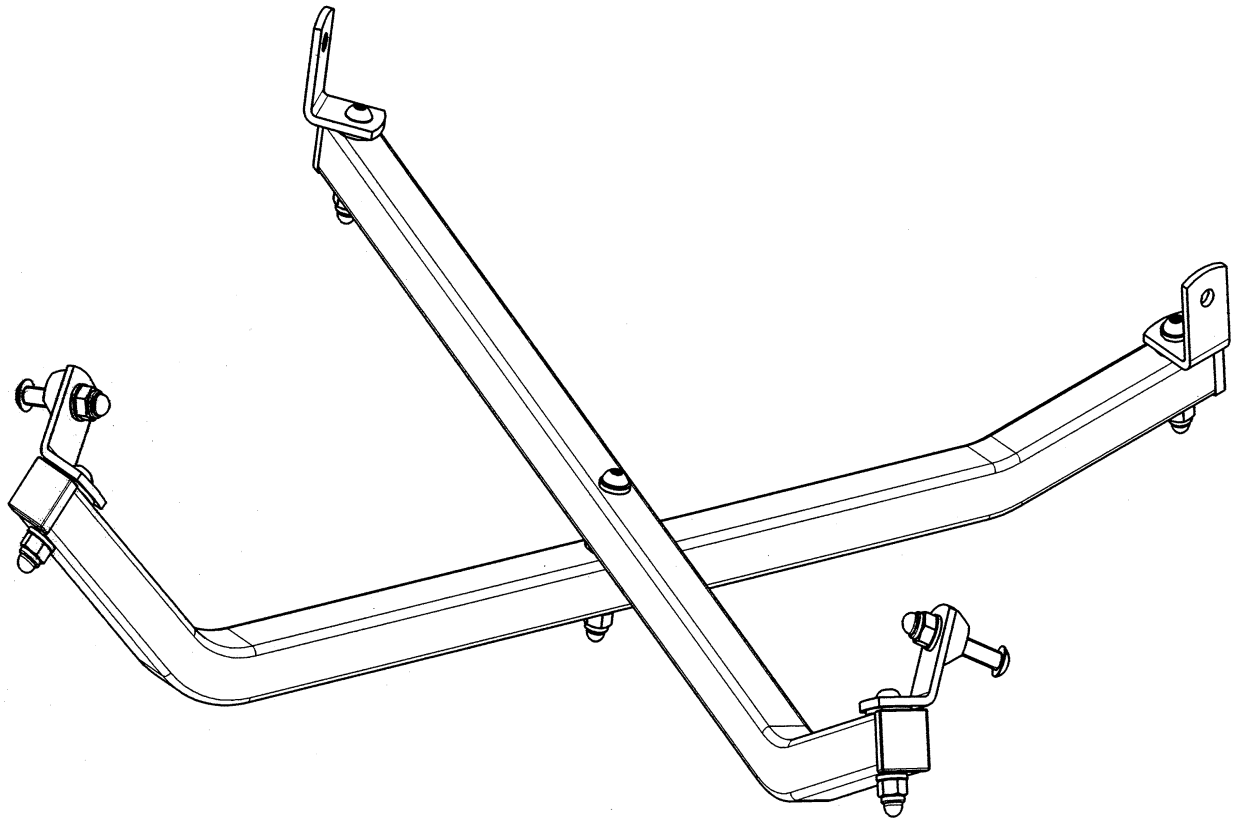
# Folding Scissor Construction for Backrest



Pos.	Article number	Article description	Quantity
	HR32101600-xxxE	Folding scissor construction for backrest	1

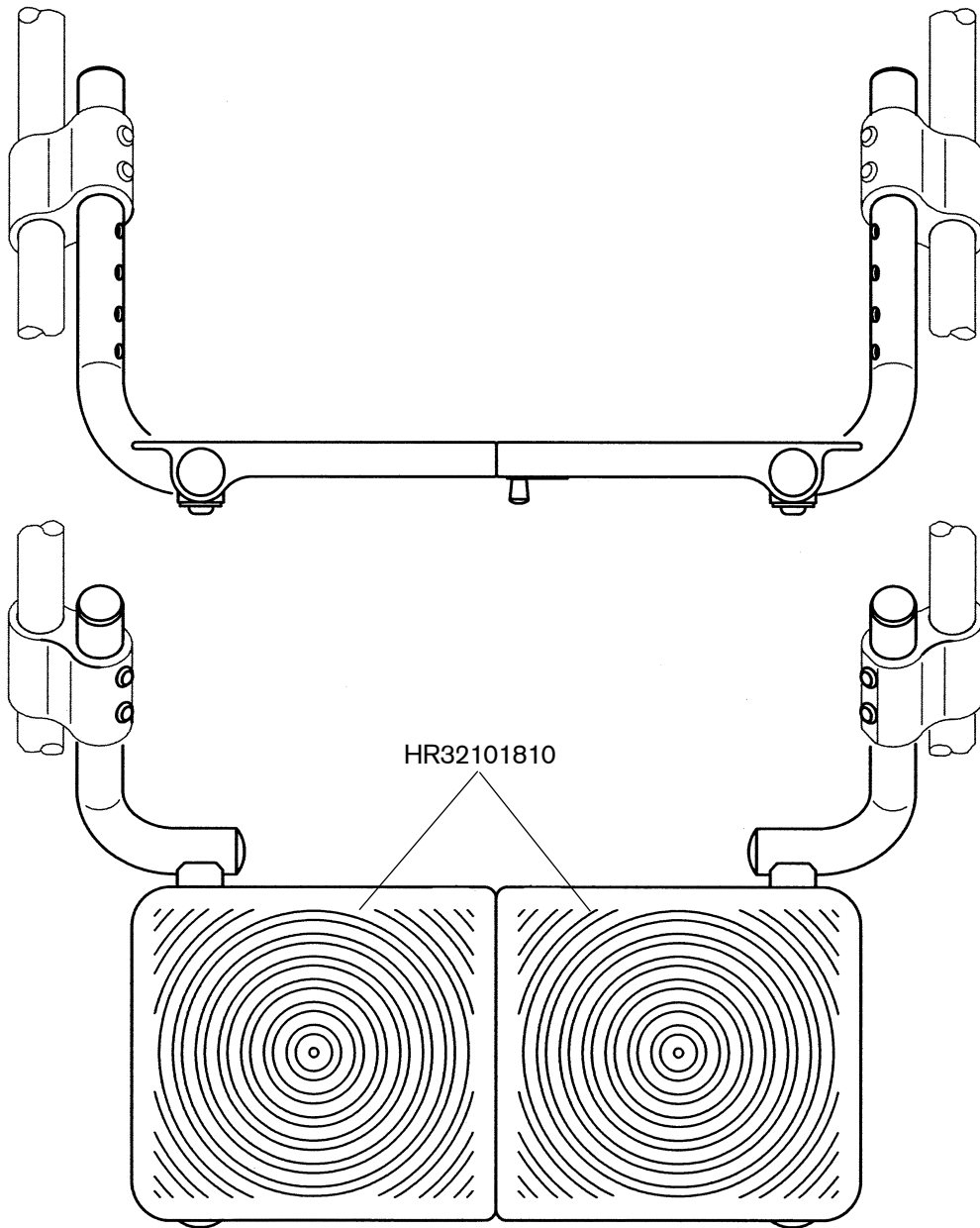


# Folding Scissor Construction for Seat Bottom

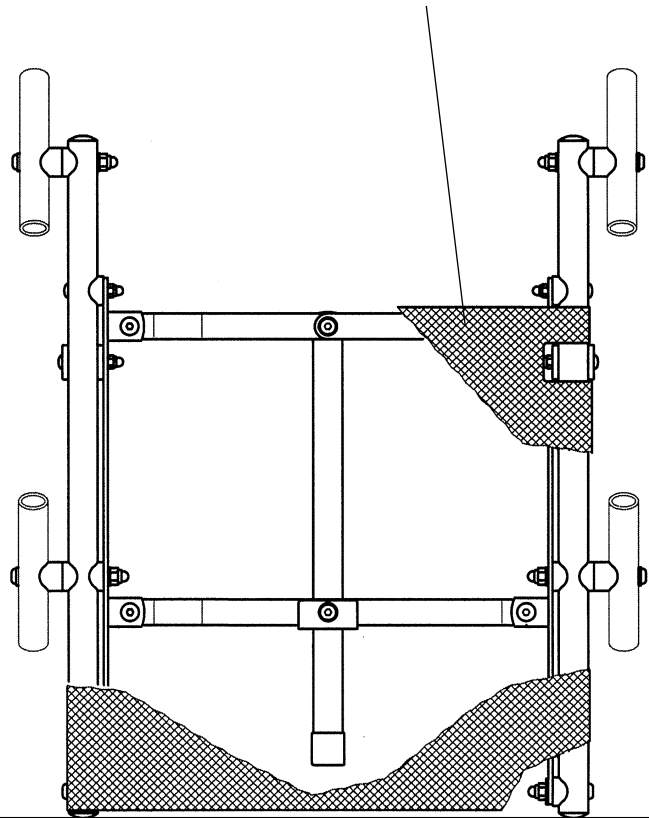
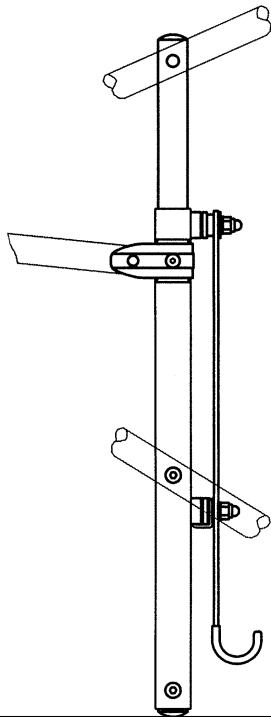
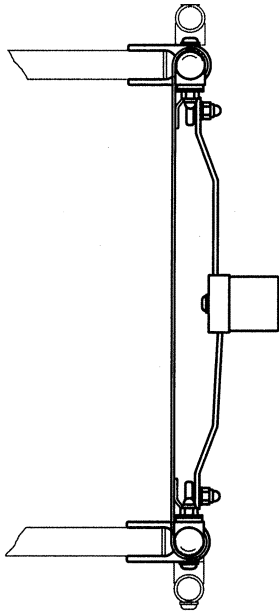


Pos.	Article number	Article description	Quantity
	HR32101700-xxxE	Scissor construction for seat bottom	1

# Footrest Assembly

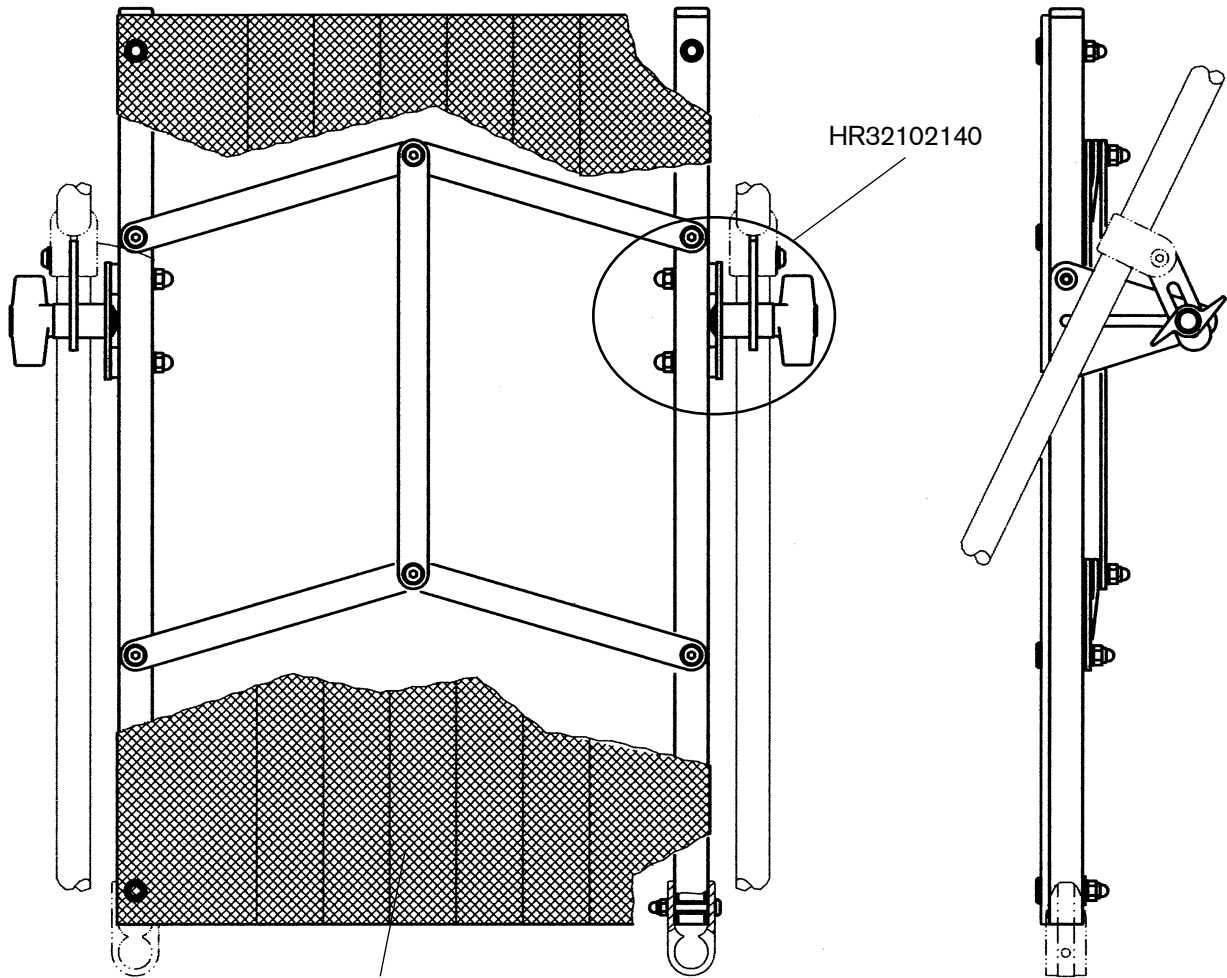


Pos.	Article number	Article description	Quantity
	HR32101800-xxxE	Footrest assembly complete	1
	HR32101810E	Foot plates with lock	1



Pos.	Article number	Article description	Quantity
	HR32101900-xxxE	Seat bottom complete (without upholstery)	1
	HR32105110E	Seat upholstery	1

# Backrest



Pos.	Article number	Article description	Quantity
	HR32102100-xxxE	Backrest complete (without upholstery)	1
	HR32105120E	Back upholstery	1
	HR32102140	Adjustment kit	2

*not illustrated*

Pos.	Article number	Article description	Quantity
	HR32105300	Storage bag	1
	HR32075400E	Lap belt	1
	HR32109010	Repair kit – bolt assemblies – washers – stopples	1

***Rahmenfarben Eco-***



Farbcode  
-011

*anthrazit*

***Frame colors Eco-Buggy***



Color code  
-011

*Anthracite*

# Kundenservice/Customer Service

## Europe

**Otto Bock HealthCare Deutschland GmbH**  
Max-Näder-Str. 15 · D-37115 Duderstadt  
Tel. +49 5527 848-3433 · Fax +49 5527 848-1460  
e-mail: healthcare@ottobock.de · www.ottobock.com

**Otto Bock Healthcare Products GmbH**  
Kaiserstraße 39 · A-1070 Wien  
Tel. +43 1 5269548 · Fax +43 1 5267985  
e-mail: vertrieb.austria@ottobock.com  
www.ottobock.at

**Otto Bock Suisse AG**  
Pilatustrasse 2, Postfach 87 · CH-6036 Dierikon  
Tel. +41 41 4556171 · Fax +41 41 4556170  
e-mail: suisse@ottobock.com

**Otto Bock Healthcare plc**  
32, Parsonage Road · Englefield Green  
GB-Egham, Surrey TW20 0LD  
Tel. +44 1784 744900 · Fax +44 1784 744901  
e-mail: bockuk@ottobock.com · www.ottobock.co.uk

**Otto Bock France SNC**  
4 Rue de la Réunion · B.P. 11  
F-91941 Les Ulis Cedex  
Tél. +33 1 69188830 · Fax +33 1 69071802  
e-mail: information@ottobock.fr · www.ottobock.fr

**Otto Bock Italia S.R.L.**  
Via Filippo Turati 5/7 · I-40054 Budrio (BO)  
Tel. +39 051 692-4711 · Fax +39 051 692-4720  
e-mail: info.italia@ottobock.com · www.ottobock.it

**Otto Bock Iberica S.A.**  
C/Majada, 1 · E-28760 Tres Cantos (Madrid)  
Tel. +34 91 8063000 · Fax +34 91 8060415  
e-mail: info@ottobock.es · www.ottobock.es

**Industria Ortopédica Otto Bock Unip. Lda.**  
Av. Miguel Bombarda, 21 · 2º Esq.  
P-1050-161 Lisboa  
Tel.: +351 21 3535587 · Fax: +351 21 3535590  
e-mail: ottobockportugal@mail.telepac.pt

**Otto Bock Benelux B.V.**  
Ekkersrijt 1412 · NL-5692 AK-Son en Breugel  
Tel. +31 499 474585 · Fax +31 499 476250  
e-mail: info.benelux@ottobock.com  
www.ottobock.nl

**Otto Bock Scandinavia AB**  
Koppargatan 3 · Box 623 · S-60114 Norrköping  
Tel. +46 11 280600 · Fax +46 11 312005  
e-mail: info@ottobock.se · www.ottobock.se

**Otto Bock Russia**  
5. Donskoj proezd 15, strojenie 16  
RUS-119334 Moskau  
Tel. +7 495 564-8360 · Fax +7 495 564-8363  
e-mail: info@ottobock.ru · www.ottobock.ru

**Otto Bock Hungária Kft.**  
Tatai út 74. · H-1135 Budapest  
Tel. +36 1 4511020 · Fax +36 1 4511021  
e-mail: info@ottobock.hu · www.ottobock.hu

**Otto Bock Polska Sp. z o. o.**  
Ulica Korolowa 3 · PL-61-029 Poznań  
Tel. +48 61 6538250 · Fax +48 61 6538031  
e-mail: ottobock@ottobock.pl · www.ottobock.pl

**Otto Bock ČR s.r.o.**  
Protetická 460 · CZ-33008 Zruč-Senec  
Tel. +420 37 7825044 · Fax +420 37 7825036  
e-mail: email@ottobock.cz · www.ottobock.cz

**Otto Bock Slovakia s.r.o.**  
Čajáková 25 · SK-81105 Bratislava 1  
Slovenská Republika  
Tel./Fax +421 2 52 44 21 88  
e-mail: info@ottobock.sk · www.ottobock.sk

**Otto Bock Romania srl**  
Șos de Centura Chitila-Mogoșoaia Nr. 3  
RO-Chitila 077405, Jud. Ilfov  
Tel: +40 21 4363110 · Fax: +40 21 4363023  
e-mail: lonut.savescu@ottobock.ro · www.ottobock.ro

**Otto Bock Adria D.O.O.**  
Dr. Franje Tuđmana 14 · HR-10431 Sveta Nedelja  
Tel. +385 1 3361544 · Fax +385 1 3365986  
e-mail: info@ottobock.hr · www.ottobock.hr

**Otto Bock Adria Sarajevo D.O.O.**  
Omladinskih radničkih brigada 5 · BIH-71000 Sarajevo  
Tel. +387 33 766200 · Fax +387 33 766201  
obadria@bih.net.ba · www.ottobockadria.com.ba

**Otto Bock Sava d.o.o.**  
Maksima Gorkog bb · 18000 Niš, Republika Srbija  
Tel./Fax +381 18 539 191  
e-mail: info@ottobock.rs · www.ottobock.rs

**Otto Bock Ortopedi ve Rehabilitasyon Tekniği Ltd. Şti.**  
Ali Dursun Bey Caddesi · Latı Lokum Sokak  
Meriç Sitesi B Blok No: 6/1  
TR-34387 Mecidiyeköy-İstanbul  
Tel. + 90 212 3565040 · Faks +90 212 3566688  
e-mail: info@ottobock.com.tr · www.ottobock.com.tr

**Otto Bock Algérie E.U.R.L.**  
32, rue Ahcène outalab · Coopérative les Mimosas  
Mackle-Ben Aknoun · Alger · DZ-Algérie  
Tel. + 213 21 913863 · Fax + 213 21 913863  
e-mail: information@ottobock.fr · www.ottobock.fr

**Otto Bock Egypt S.A.E.**  
115, El- Alameen St. · Mohandeseen – Giza · ET-Egypt  
Tel. +20 23 302 43 90 · Fax +20 23 302 43 80  
e-mail: info@ottobock.com.eg · www.ottobock.com.eg

## Americas

**Otto Bock Argentina S.A.**  
Piedras, 1314 · Código Postal:  
RA-1147 Ciudad Autónoma de Buenos Aires  
Tel. + 54 11 4300 0076  
e-mail: ventas@ottobock.com.ar

**Otto Bock do Brasil Ltda.**  
Rua Jovelino Aparecido Miguel, 32  
BR-13051-030 Campinas-São Paulo  
Tel. +55 19 3729 3500 · Fax +55 19 3269 6061  
e-mail: ottobock@ottobock.com.br · www.ottobock.com.br

**Otto Bock HealthCare Canada Ltd.**  
5470 Harvester Rd, Burlington, Ontario L7L 5N5  
CA-Canada  
Tel. +1 289 288-4848 · Fax +1 289 288-4837  
e-mail: info@ottobock.ca · www.ottobock.ca

**Otto Bock HealthCare Andina Ltda.**  
Clínica Universitaria Teletón, Autopista Norte km 21  
La Caro · Chia, Cundinamarca  
Bogotá / Colombia  
Tel. +57 1 8619988 · Fax +57 1 8619977  
e-mail: ottobock@telesat.com.co

**Otto Bock de Mexico S.A. de C.V.**  
Av. Avila Camacho 2246 · Jardines del Country  
MEX-Guadalajara, Jal. 44210  
Tel. +52 33 38246787 · Fax +52 33 38531935  
e-mail: info@ottobock.com.mx  
www.ottobock.com.mx

**Otto Bock HealthCare LP**  
Two Carlson Parkway North, Suite 100  
U.S.A.-Minneapolis, Minnesota 55447  
Phone +1 800 328 4058 · Fax +1 800 962 2549  
e-mail: usa.customerservice@ottobock.com  
www.ottobockus.com

## Asia/Pacific

**Otto Bock Australia Pty. Ltd.**  
Suite 1.01, Century Corporate Centre  
62 Norwest Boulevard · Norwest Business Park  
AUS-Baulkham Hills NSW 2153  
Tel. +61 2 88182800 · Fax +61 2 88182898  
e-mail: healthcare@ottobock.com.au  
www.ottobock.com.au

**Beijing Otto Bock Orthopaedic Industries Co. Ltd.**  
HengXiang Tower · No.15 Tuanjieshu South Road  
Chaoyang District · Beijing 100026 · P.R.China  
Tel. +86 10 85986880 · Fax +86 10 85980040  
e-mail: china@ottobock.com.cn · www.ottobock.com.cn

**Otto Bock Asia Pacific Ltd.**  
Suite 3218, 32/F., Sun Hung Kai Centre  
30 Harbour Road, Wanchai · Hong Kong  
Tel No. +852 2598 9772 · Fax No. +852 2598 7886  
e-mail: info@ottobock.com.hk

**Otto Bock HealthCare India Pvt. Ltd.**  
Behind Fairlawn Housing Society  
Sion Trombay Road  
Chembur · IND-Mumbai 400 071  
Tel. +91 22 2520 1268 · Fax +91 22 2520 1267  
e-mail: information@indiaottobock.com  
www.ottobockindia.com

**Otto Bock Japan K. K.**  
Yokogawa Building 8F · 4-4-44 Shibaura, Minato-ku  
J-Tokyo 108-0023  
Tel. +81 3 3798-2111 · Fax +81 3 3798-2112  
e-mail: ottobock@ottobock.co.jp  
www.ottobock.co.jp

**Otto Bock Korea HealthCare Inc.**  
Beokyoung B/D 2FL · 37-22, Samsung-dong  
Gangnam-gu · ROK-Seoul 135-090  
Tel. +82 2 577-3831 · Fax +82 2 577-3828  
e-mail: info@ottobockkorea.com  
www.ottobockkorea.com

**Otto Bock South East Asia Co. Ltd.**  
1741 Phaholyothin Road,  
Kwaeng Chatuchark, Khet Chatuchark,  
T-Bangkok 10900  
Tel. +66 2 930 3030 · Fax +66 2 930 3311  
e-mail: obsea@ottobock.co.th  
www.ottobock.co.th

## Other countries

**Otto Bock HealthCare GmbH**  
Max-Näder-Str. 15 · D-37115 Duderstadt  
Tel. +49 5527 848-1590 · Fax +49 5527 848-1676  
e-mail: reha-export@ottobock.de · www.ottobock.com

Ihr Fachhändler/Your specialist dealer:

**Versandanschrift für Rücksendungen/Address for Returns:**

**Otto Bock Manufacturing Königsee GmbH**  
Lindenstraße 13 · 07426 Königsee/Germany

**Hersteller/Manufacturer:**

**Otto Bock Mobility Solutions GmbH**  
Lindenstraße 13 · 07426 Königsee/Germany  
Phone +49 69 9999 9393 · Fax +49 69 9999 9392  
ccc@ottobock.com · www.ottobock.com



Otto Bock Mobility Solutions GmbH has been certified by the German Society for the Certification of Quality Assurance Systems (DQS) in accordance with DIN EN ISO 9001 standard, reg. no. 779 (management system)