

Quantum 610 (S/N J75) IPB, Australia

INFMANU3143 AU

This Illustrated Parts Breakdown (IPB) Catalog has been compiled from the latest product information available at the time of publication. Quantum Rehab[®] / Pride Mobility Products[®] Corporation reserves the right to make changes and updates to this manual and to the product(s) it represents. Any changes, updates, or improvements to the product(s) may result in slight differences between this manual and the product that has been purchased.

An IPB is a graphically portrayed parts listing of product components which have been deemed to have serviceable, maintenance significance. When applicable, IPBs utilize “exploded” illustrations that detail serviceable components and a corresponding itemized parts list of reference numbers, part numbers, descriptions, quantities, and any applicable pricing. Most product components are incorporated into assemblies and may not be available for replacement.

Serviceable components will be noted by a callout in the illustration that will correspond to a alphanumeric reference number in the parts list. Items may also be listed in the parts list by parent assemblies. In most cases when a parent assembly is listed, there will be child parts or sub-assemblies listed under that parent.

For example: The parent assembly reference number is A1 — A5. That part contains all of the items listed as and contained within A1, A2, A3, A4, & A5. As long as these subcomponents have a callout associated with them, they can be selected for replacement or quote.

Updates to the contents of an IPB will be made on a regular basis based upon applicable product changes and enhancements. This PDF catalog has been export from the Provider based service site. The most up to date parts look up tool and ordering application is located at: prideprovider.com. Please utilize this system to enhance your user experience. It is built with highly interactive materials that are set with relational properties that will facilitate easier part look-up, more accurate parts selection, notification of onhand part availability, and quick links to related documents and products.

We welcome all questions and comments regarding the Quantum Rehab[®] / Pride Mobility Products[®] Corporation IPB systems.

Any pricing that is included in Quantum Rehab[®] /Pride Mobility Products[®] Corporation IPBs is subject to change without prior notice.

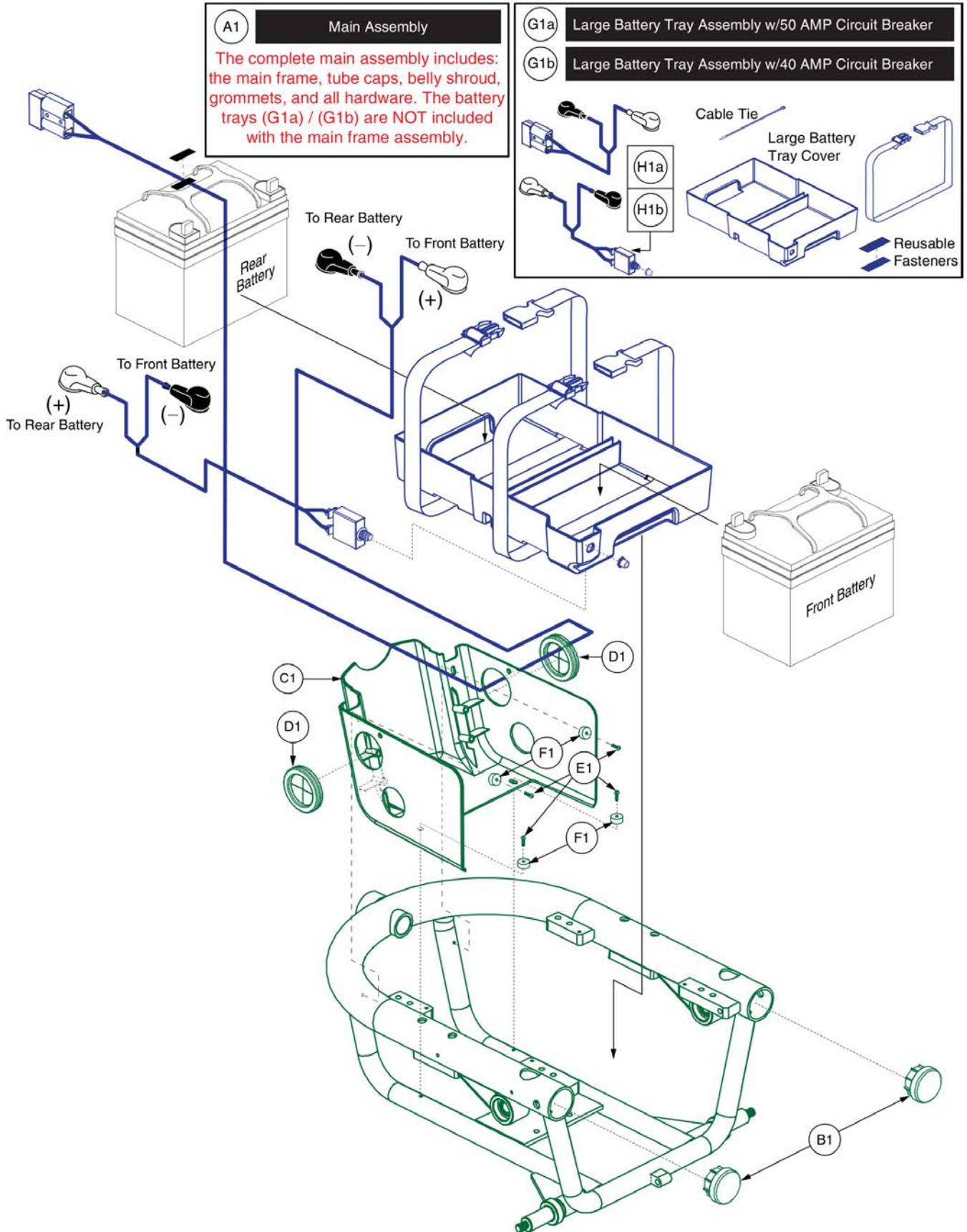
Thank you for choosing products from Quantum Rehab[®] and Pride Mobility Products[®] Corporation.



1. Main Frame Assy's	
Main Frame for Seat Towers, J/Q 610	1
Main Frame for Power Seating (Pedestal Actuator), J/Q 610	3
2. Drive Motor Assy	
Drive Motor Assembly	5
E684 Glide Motors, Anderson Connector	7
3. Active Trac Motor Mount, Freewheel Lever, & Caster Arm Assy's	
Active Trac Motor Mount, Freewheel Lever, & Caster Arm, Q610	9
4. Articulating Beam Assy	
Articulating Beam, Q610	11
5. Drive Wheel Assy's	
10" Flat-free Wheel Assy, Black Rim/Gray Tire, WHLASMB1418	13
10" Flat-free Wheel Assy, Black Rim/Charcoal Tire, WHL140393, Q610	15
10" Pneumatic Wheel Assy, Black Rim/Gray Tire, WHLASMB1417	17
10" Pneumatic Wheel Assy, Black Rim/Charcoal Tire, WHL140390, Q610	19
6. Joystick Assy's	
PG Drives & Dynamic Joysticks - Remote Plus, VSI, VR2, & Shark, Q610	21
Q-Logic 1 Joystick Assy's	23
Q-Logic 2 Joystick Assemblies	25
Q-Logic 2 Stand Alone Joystick Assy	27
Joystick Knobs & Overlays	
Aftermarket Joystick Knobs	29
PG Joystick Overlays	31
Shark Joystick Overlays	33
Q-Logic 1 / Stand Alone / NE / NE+ Joystick Overlays	35
Q-Logic Joystick Knobs	37
Q-Logic 2 & 3 Joystick Shrouds	
Q-Logic 2 & 3 Joystick Shrouds	39
Joystick Bottom Housings	
NE + Joystick Bottom Housing w/Bus Cable	41
Q-Logic 1 Joystick & Enhanced Display Bottom Housing w/Bus Cable	43
Q-Logic 2 & 3 Joystick Bottom Housing w/Bus Cable	45
7. Electronics Assy's	
7.1. Remote Plus Electronics Assy's	
Remote Plus Electronics, Off-board Charger, Q610	47
Remote Plus Electronics, Quantum Ready, Off-board Charger, Q610	49
7.2. Dynamic Flight Electronics Assy's	
Dynamic Flight Electronics, Off-board Charger, Q610	51
7.3. VSI Electronics Assy's	
VSI Electronics, Off-board Charger, Q610	53
VSI Electronics, Power Seat, Off-board Charger, Q610	55
VSI Electronics, Quantum Ready, Off-board Charger, Q610	57
7.4. Q-Logic Electronics Assy's	
Q-Logic Electronics, Off-board Charger, Q610	59
Q-Logic Electronics, Quantum Ready/Tilt ThruToggle, Off-board Charger, Q610	61

7.5. VR2 Electronics Assy's	
VR2 Electronics, Off-board Charger, Q610	63
VR2 Electronics, Tilt Thru Joystick, Off-board Charger, Q610	65
VR2 Electronics, Tilt Thru Toggle/Future Actuator Expansion, Off-board Charger, Q610	67
8. Foot Platforms	
ATX Foot Platform & Standard Battery Access Bracket, J/Q 610	69
Bell Foot Platform, J/Q 610	71
9. Battery Access Brackets	
Battery Access Door for AFP, J/Q 610	73
ATX Foot Platform & Standard Battery Access Bracket, J/Q 610	75
10. Shroud Assy's	
Shroud Assy's - Off-board Charger, Q610	77
11. Power Seat Actuator Assy	
Universal, Friction Lock Power Seat Actuator Assy's	81
12. Seat Towers & Trapeze Bars	
5" Centers Seat Towers & Trapeze Bars	83
13. Batteries	
Universal, U1, AGM, Battery Assy	85
Interceptor Battery, 33AH, GEL	87
14. Charger Assy's	
5 Amp UPG Charger Assy, AGM / GEL Selectable, AU Cord	89
15. Joystick Mounts	
15.1. Version 2. Swing-away/Multi-axis Joystick Brackets	
Swing-away & Multi-axis Mount Matrix, Rehab Seat, Version 2	91
Swing-away & Multi-axis Mount Matrix, Captain Seat, Version 2	93
Swing-away Joystick Bracket Components, Version 2	95
Multi-Axis Joystick Bracket Components, Version 2	97
15.2. Retract 4 Swing-away Joystick Bracket	
Retract 4 Swing-away Joystick Bracket for Curtis Joysticks	99
15.3. Stealth Swing-away/Flip-down Joystick Bracket	
Stealth Swing-away / Flip Down Joystick Brackets & Mounts	101
16. Owner's & Decal Packages	
Owner's Package, AU, Q610	103
Decal Package, AU, Q610	105
Appendix A:Pages Index	107
Appendix B:Parts Index	108

1. Main Frame Assy's

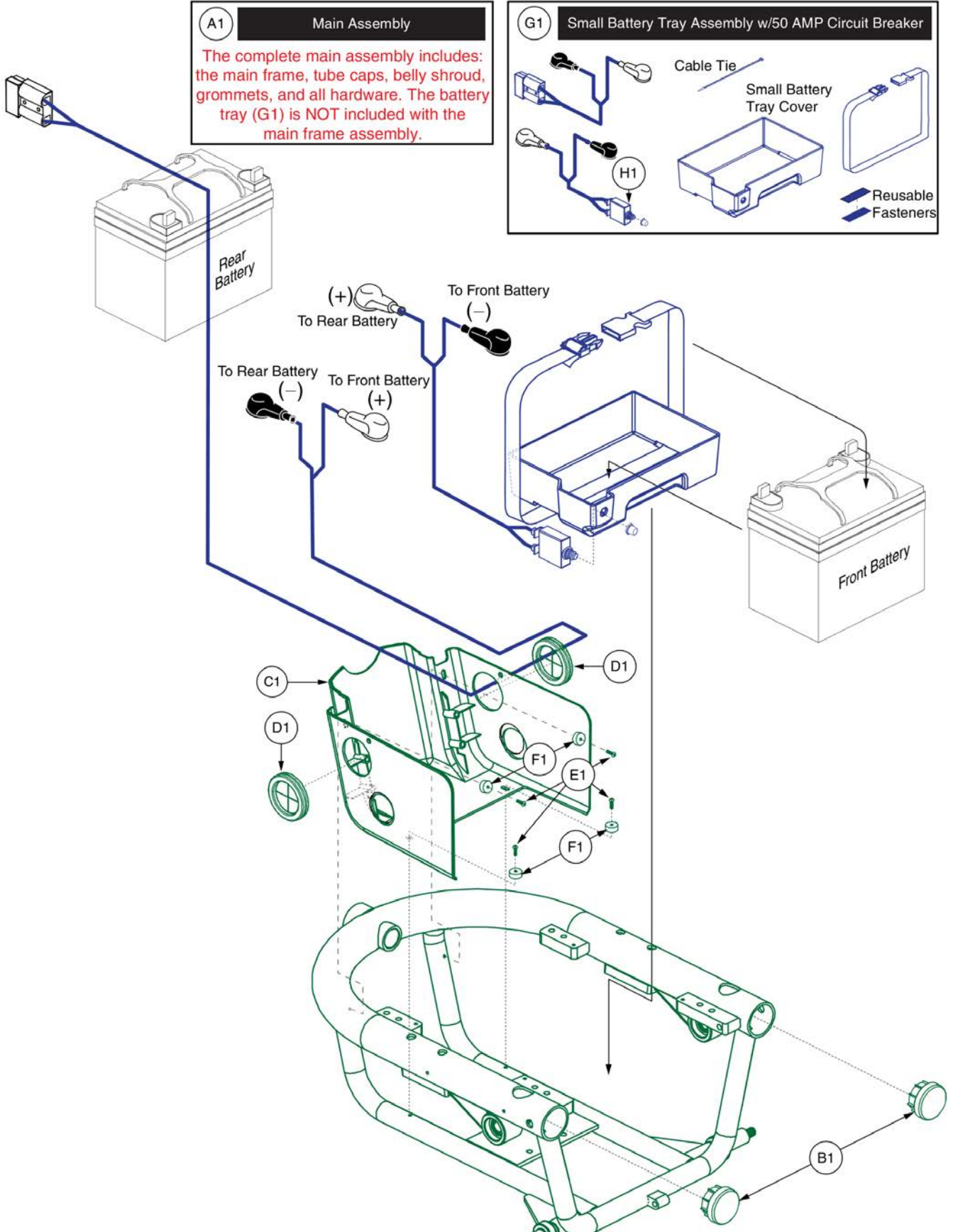


Main Frame for Seat Towers, J/Q 610



Item	Part No.	Name	Qty
A1	FRMASMB8469	FRAME,ASSY,MAIN,JAZZY610,E-1054-039	1
B1	DWR1054C012	MAIN TUBE CAP,C-1054-012	2
C1	DWR1054E006	SHROUD,BELLY PAN,E-1054-006	1
D1		GROMMET,RUBBER,HOLE,B-1054-024	2
E1	SCRPPH1318	SCREW, PAN HEAD, TYPE H, M4X0.7 X 16, FT, ISO 7045, CL 4.8, BZ	4
F1		SPACER,BLACK,NYLON,4MM ID X 12.7MM OD X 8MM TH,A-1054-011	4
G1a	DGN142484	BATTERY,ASSY,TRAY,LARGE,PLASTIC,W/50 AMP CIRCUIT BREAKER & DECALS	1
G1b	DGN142485	BATTERY,ASSY,TRAY,SMALL,PLASTIC,W/50 AMP CIRCUIT BREAKER & DECALS	1
H1a	ELECBRK1030	ELECTRONIC,CIRCUIT BREAKER,50 AMP,STRAIGHT RING TERMINALS,H-1000-195	1
H1b	ELECBRK1007	ELECTRONIC,CIRCUIT BREAKER,40 AMP,RIGHT ANGLE RING TERMINALS	1

1. Main Frame Assy's



Item	Part No.	Name	Qty
A1	FRMASMB8469	FRAME,ASSY,MAIN,JAZZY610,E-1054-039	1
B1	DWR1054C012	MAIN TUBE CAP,C-1054-012	2
C1	DWR1054E006	SHROUD,BELLY PAN,E-1054-006	1
D1		GROMMET,RUBBER,HOLE,B-1054-024	2
E1	SCRPPH1318	SCREW, PAN HEAD, TYPE H, M4X0.7 X 16, FT, ISO 7045, CL 4.8, BZ	4
F1		SPACER,BLACK,NYLON,4MM ID X 12.7MM OD X 8MM TH,A-1054-011	4
G1	DGN142485	BATTERY,ASSY,TRAY,SMALL,PLASTIC,W/50 AMP CIRCUIT BREAKER & DECALS	1
H1	ELECBRK1030	ELECTRONIC,CIRCUIT BREAKER,50 AMP,STRAIGHT RING TERMINALS,H-1000-195	1

2. Drive Motor Assy

Please note: Lower-case letters represent right and left sides. Please specify when ordering.

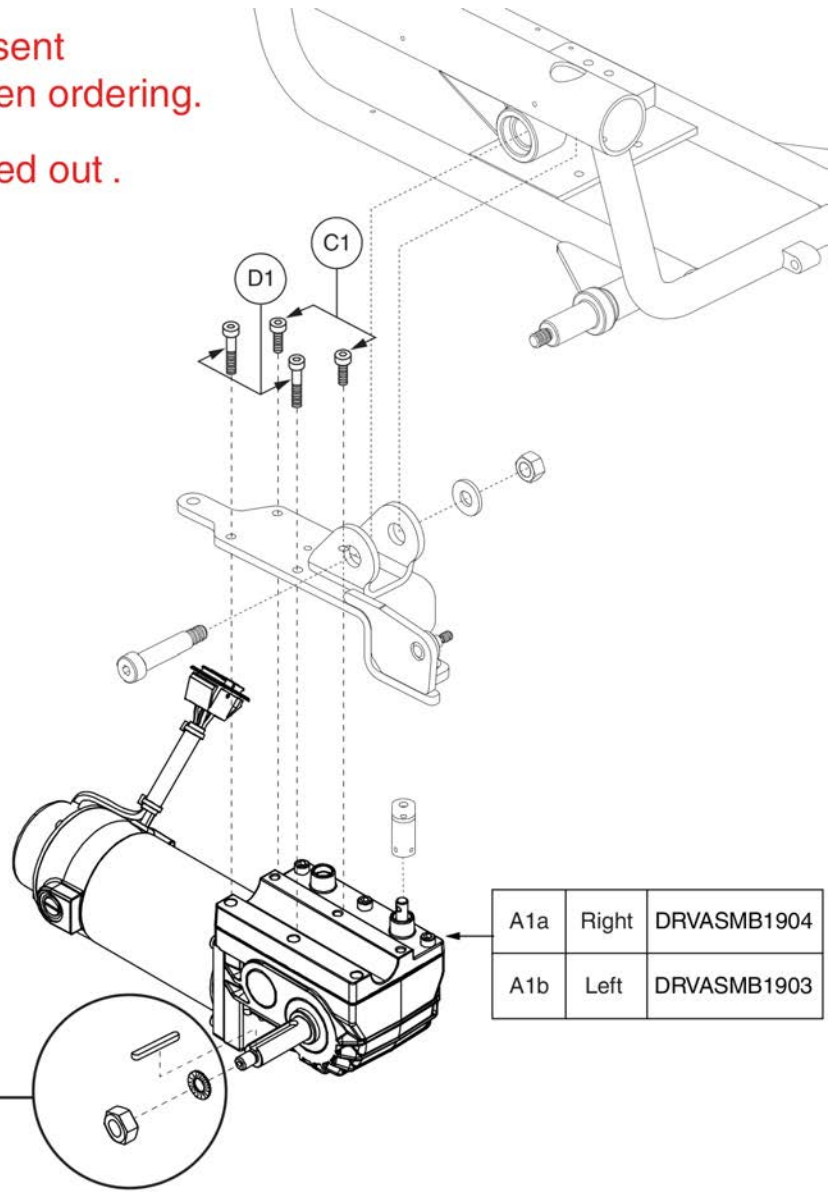
Only serviceable components are called out .

B1 KIT150476 - Wheel Mounting Hardware

M10 x 1.25, Gr. 8

M10.3 Serrated Washer

Axle Key



Drive Motor Assembly




Item	Part No.	Name	Qty
A1a	DRVASMB1904	RIGHT MOTOR,ASSY,DRIVE,E684,W/GEARBOX,ANDERSON CONNECTOR,E-1210-002,(ELECTROCRAFT: 684-010-008)	1
A1b	DRVASMB1903	LEFT MOTOR,ASSY,DRIVE,E684,W/GEARBOX,ANDERSON CONNECTOR,E-1210-001,(ELECTROCRAFT: 684-009-007)	1
B1	KIT150476	KIT,ASSY,WHEEL MOUNTING HARDWARE,E684 GLIDE MOTORS	1
C1	SCRALNH1037	SCREW,SHCS,M6-1.0 X 16MM	3
D1	SCRALNH1038	SCREW,SHCS,M6-1.0 X 30MM	3

2. Drive Motor Assy

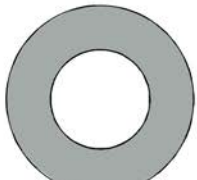
C1 MEC1714580 - Mounting Hardware

Wheel Mounting Hardware



x 1

M10 x 1.25, Gr. 8

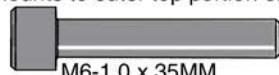


x 1

Flat Washer

Motor Mounting Hardware

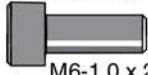
Mounts to outer top portion of motor



x 3

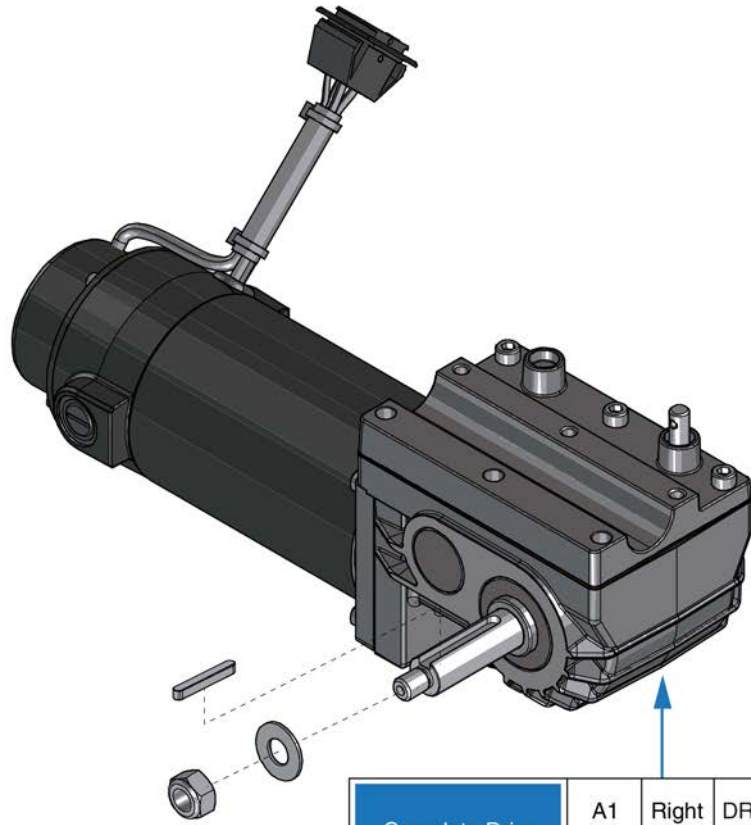
M6-1.0 x 35MM

Mounts to inner top portion of motor



x 2

M6-1.0 x 20MM



*****The Complete Drive Motor includes the Axle Key. It DOES NOT include the Mounting Hardware.*****

Complete Drive Motors	A1	Right	DRVASMB1904
	B1	Left	DRVASMB1903
Q6000			
Q600 HS			
Q610			
Q640			
Complete Drive Motors	B1	Right	DRVASMB1903
	A1	Left	DRVASMB1904
QR4000			
QR4400			

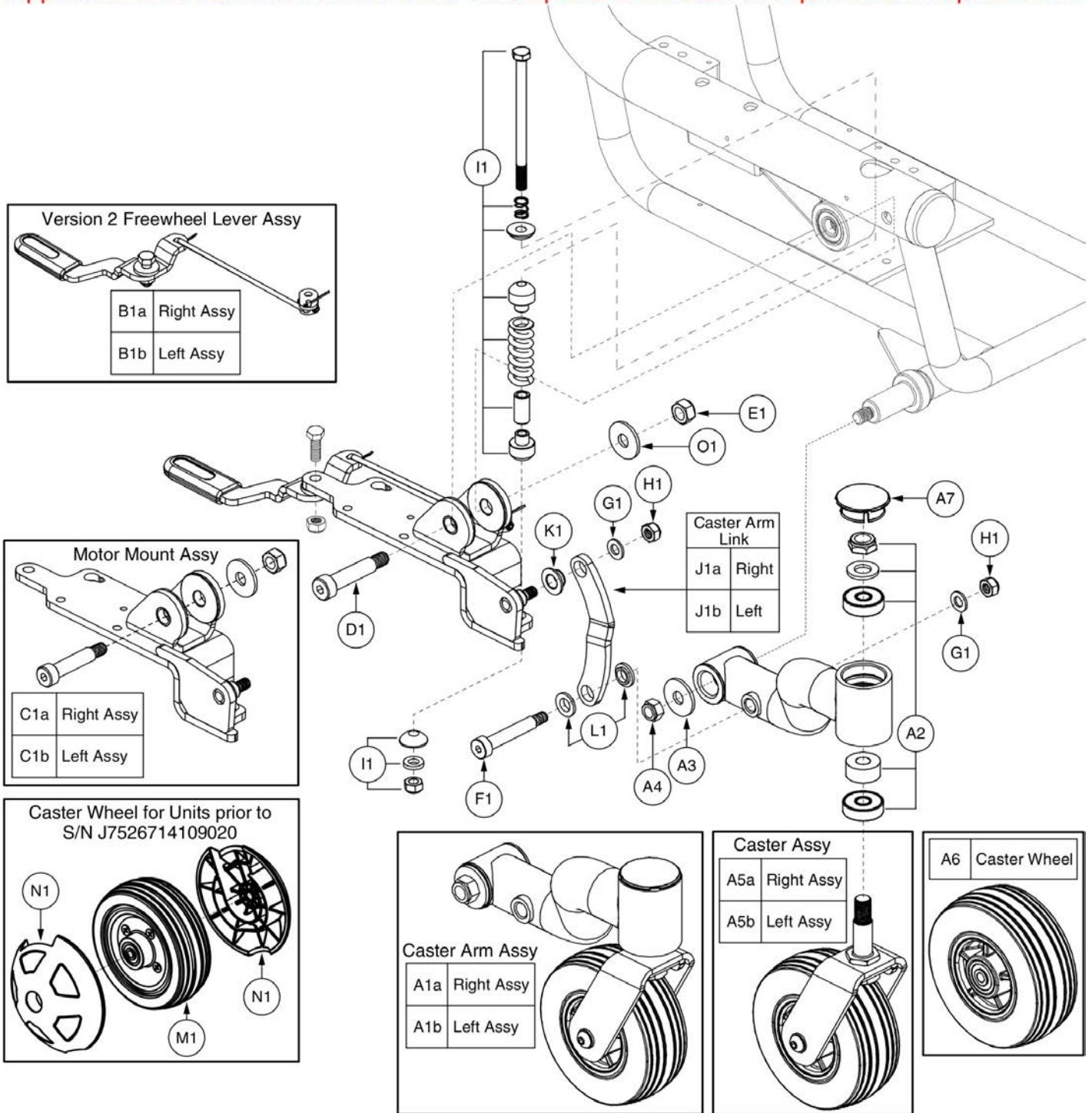
E684 Glide Motors, Anderson Connector



Item	Part No.	Name	Qty
A1	DRVASMB1904	RIGHT MOTOR,ASSY,DRIVE,E684,W/GEARBOX,ANDERSON CONNECTOR,E-1210-002,(ELECTROCRAFT: 684-010-008)	1
B1	DRVASMB1903	LEFT MOTOR,ASSY,DRIVE,E684,W/GEARBOX,ANDERSON CONNECTOR,E-1210-001,(ELECTROCRAFT: 684-009-007)	1
C1	MEC1714580	MOUNTING HARDWARE, MOTORS, DRVASMB1907/1908	1

3. Active Trac Motor Mount, Freewheel Lever, & Caster Arm Assy's

Applicable to S/N J7526714109020 and subsequent. See below for replacement requirements.

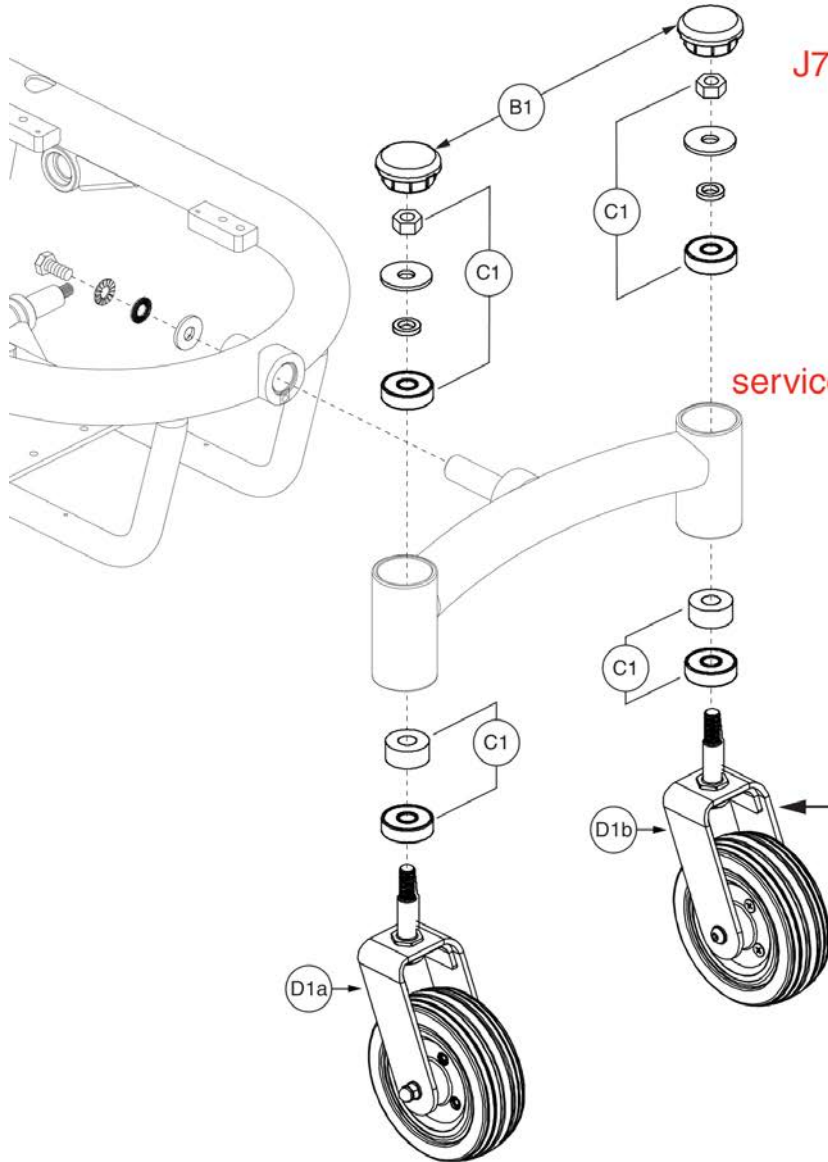


When replacing the Caster Arm assy, Caster Arm Link, or Motor Mount assy on units prior to the listed S/N cut-in, ALL of the following assy's and components **MUST** be selected for proper retrofit.

- L/R Caster Arm Assy's, A1a & A1b
- L/R Motor Mount Assy's, C1a & C1b
- L/R Caster Arm Links, J1a & J1b
- Caster Arm Link Bushings, K1 x2 & L1 x4

Item	Part No.	Name	Qty
A1a	MEC141159	CASTER ARM,ASSY,SILVER RIM/CHARCOAL TIRE,ACTIVETRACK,FRONT/RIGHT,J6	1
A1b	MEC141158	CASTER ARM,ASSY,SILVER RIM/CHARCOAL TIRE,ACTIVETRACK,FRONT/LEFT,J6	1
A2	HDWASMB1092	CASTER BEARING KIT,M3.5,FRONT/REAR CASTER,B-1202-001	1
A3	WASMETR1043	WASHER,FLAT,BLACK ZINC,10.5MM ID X 30MM OD X 2.5MM TH	1
A4	NUTNYLK1073	NUT,NYLOCK,BLACK ZINC,M10-1.5,GRADE 8	1
A5a	WHL140936-D	CASTER,ASSY,FLAT FREE,SILVER RIM/CHARCOAL TIRE,5" WHEEL,RIGHT	1
A5b	WHL140933-D	CASTER,ASSY,FLAT FREE,SILVER RIM/CHARCOAL TIRE,5" WHEEL,LEFT	1
A6	WHL140381	WHEEL,ASSY,CASTER,FLAT FREE,SILVER RIM/CHARCOAL TIRE,5"X 1.75",W/BEARINGS & SPACER,E-1202-008	1
A7	DGN140932	CASTER CAP, 42MM BARREL	1
B1a	MEC140280	FREEWHEEL LEVER,ASSY,RIGHT	1
B1b	MEC140281	FREEWHEEL LEVER,ASSY,LEFT	1
C1a	MEC135524	MOTOR MOUNT ASSEMBLY,RIGHT	1
C1b	MEC135529	MOTOR MOUNT ASSEMBLY,LEFT	1
D1	BLTASHL1126	SHOULDER BOLT, M12 X 45MM, B1054-029	1
E1	NUTNYLK1073	NUT,NYLOCK,BLACK ZINC,M10-1.5,GRADE 8	1
F1	BLTASHL1137	BOLT,SHOULDER,BLACK ZINC,10MM X 50MM	1
G1	HDW138262	WASHER, FLAT, 8.4 ID X 16 OD X 1.6 THK, ISO 7089-8-200 HV, BZ	2
H1	NUTNYLK1080	NUT,NYLOCK,BLACK ZINC CHROMATE,M8-1.25	2
I1	FRMASMB8474	STRUT,ASSY,FRONT SUSPENSION,JAZZY610,C-1054-048	1
J1a	MEC133916	CASTER ARM LINK, RIGHT	1
J1b	MEC133917	CASTER ARM LINK, LEFT	1
K1	MEC135526	BEARING,FLANGE,10.16MM ID X 13MM OD X 7.5MM TH X 20MM FODX 1.5MM FTH	1
L1	HDW133915	BEARING,FLANGE,10MM ID X 13MM OD X 4MM TH X 18MM FOD X2MM FTH	2
M1	WHLASMB1745	WHEEL,ASSY,CASTER,FLAT FREE,BLACK RIM/GRAY TIRE,5" X 1.75"	1
N1	DWR1202C012	COVER,CASTER BALL,SLIM,5" WHEEL,C-1202-012	2
O1	WASMETR1043	WASHER,FLAT,BLACK ZINC,10.5MM ID X 30MM OD X 2.5MM TH	1

4. Articulating Beam Assy



Applicable to Serial Number J7526714109020 and subsequent.

A1 Articulating Beam Assembly

The Articulating Beam Assembly includes:
the Articulating Beam,
Anti-flutter Kit, Caster Assembly,
Wheel Assembly, and all hardware.

Please note: Only serviceable components are called out.

E1 Caster Wheel

Applicable to units manufactured prior to Serial Number J7526714109020.

F1a	F1b
Right	Left

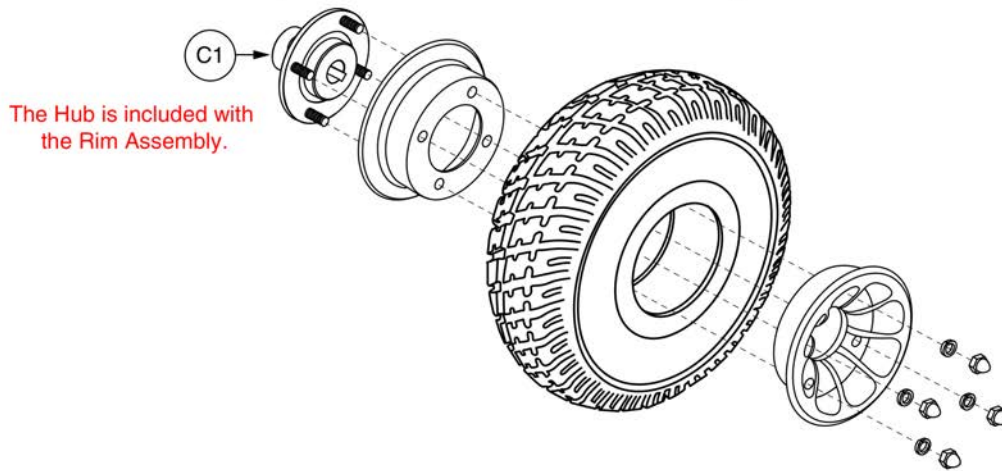
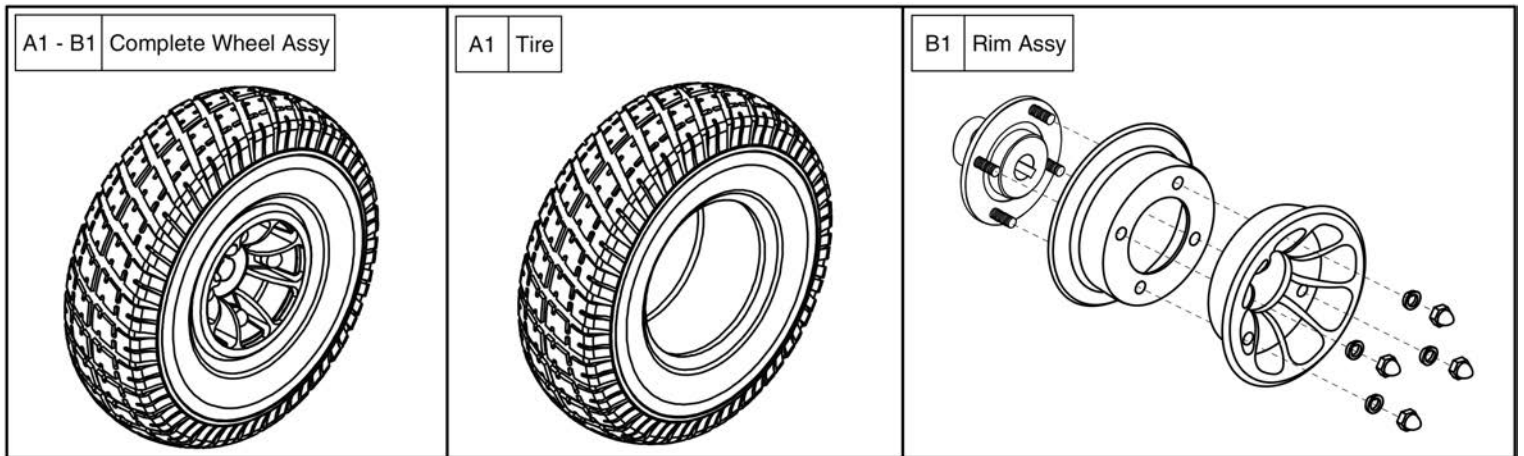
Complete Flat-free Caster Assembly

Articulating Beam, Q610



Item	Part No.	Name	Qty
A1	MEC140101	ARTICULATING BEAM,ASSY,CURVED,W/CASTER WHEELS,SILVER RIM/CHARCOALTIRE,J6/Q610	1
B1	DWR1054C008	CASTER CAP	1
C1	HDWASMB1187	ANTI-FLUTTER KIT,REAR CASTER,JAZZY,B-1005-137	1
D1a	WHL140935-D	CASTER,ASSY,FLAT FREE,SILVER RIM/CHARCOAL TIRE,6" WHEEL,TALL,LEFT	1
D1b	WHL140934-D	CASTER,ASSY,FLAT FREE,SILVER RIM/CHARCOAL TIRE,6" WHEEL,TALL,RIGHT	1
E1	WHL140384	WHEEL,ASSY,CASTER,FLAT FREE,SILVER RIM/CHARCOAL TIRE,6"X 2",W/BEARINGS & SPACER,E-1202-019	1
F1a		CASTER,ASSY,FLAT FREE,BLACK RIM/GRAY TIRE,6" WHEEL,W/FORK & COVERS,TALL,REAR/RIGHT,W/RADIUS,E-1202-027	1
F1b		CASTER,ASSY,FLAT FREE,BLACK RIM/GRAY TIRE,6" WHEEL,W/FORK & COVERS,TALL,REAR/LEFT,W/RADIUS,E-1202-026	1
G1	WHLASMB1762	WHEEL,ASSY,CASTER,FLAT FREE,BLACK RIM/GRAY TIRE,6"X 2",W/BEARINGS & SPACER,E-1202-019	1
H1	DWR1056C066	COVER,CASTER BALL,6" WHEEL	2

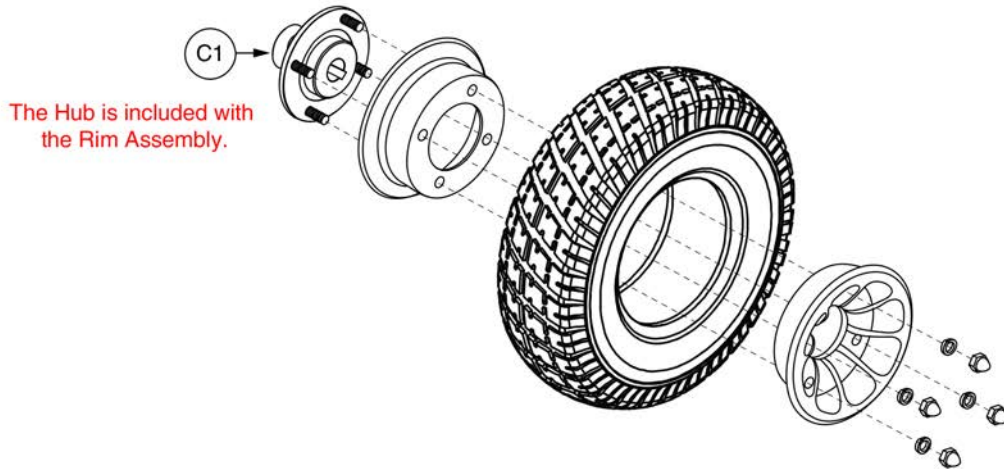
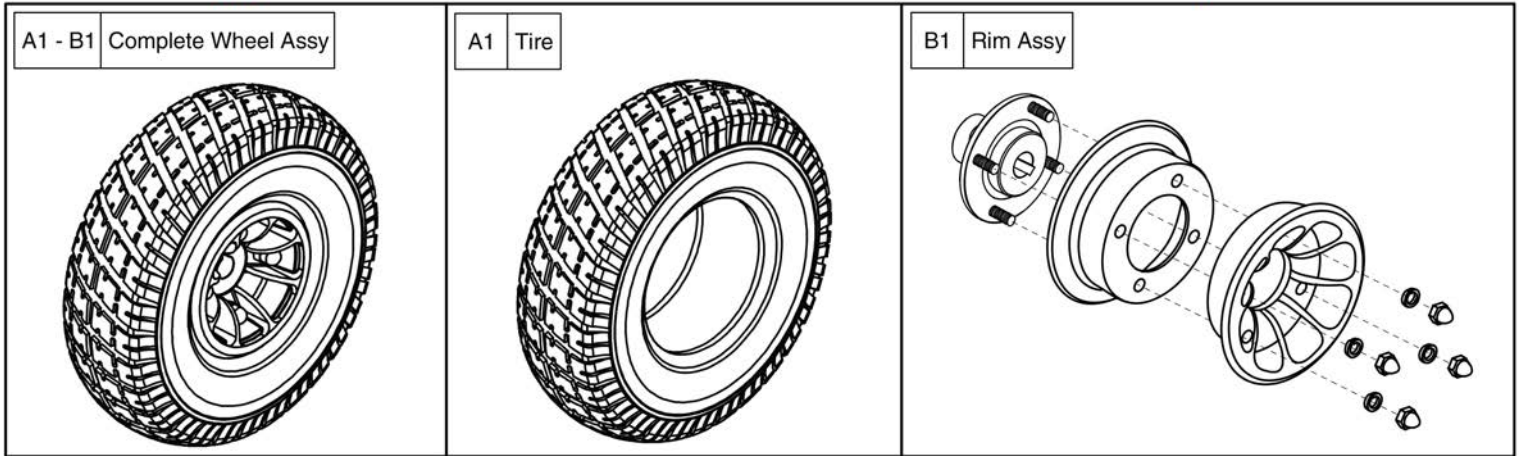
5. Drive Wheel Assy's



Item	Part No.	Name	Qty
A1 - B1	WHLASMB1418	WHEEL,ASSY,FLAT-FREE,BLACK RIM/GRAY TIRE, 10",4" MICROMAG,1.90 HUB,C-9210-1,E-1116-030	2
A1	TIRSOLI1020	TIRE,W/FLAT FREE INSERT,3.00-4",C-9210-1,(GALLOP: 5504014)	1
B1	WHLASMB1494	WHEEL,ASSY,RIM,BLACK,4",MICRO, 1.90 HUB MAG	1
C1	DWR1058C007	WHEEL,HUB,W/STUDS,17MM KEYWAY,C-1058-007	1

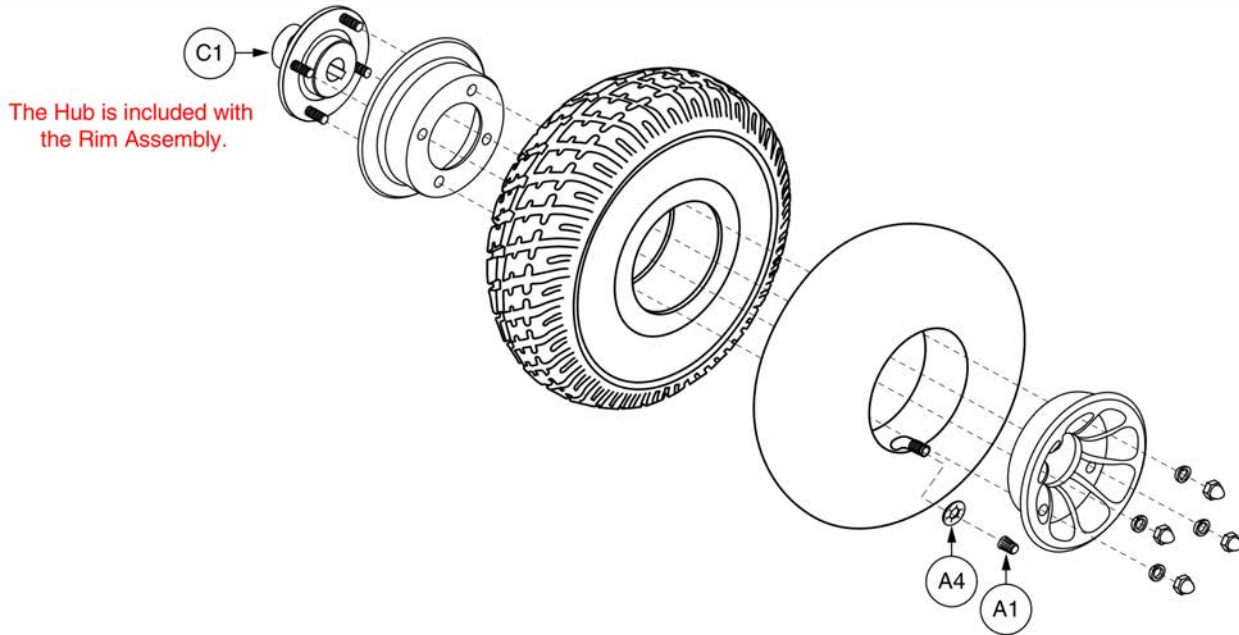
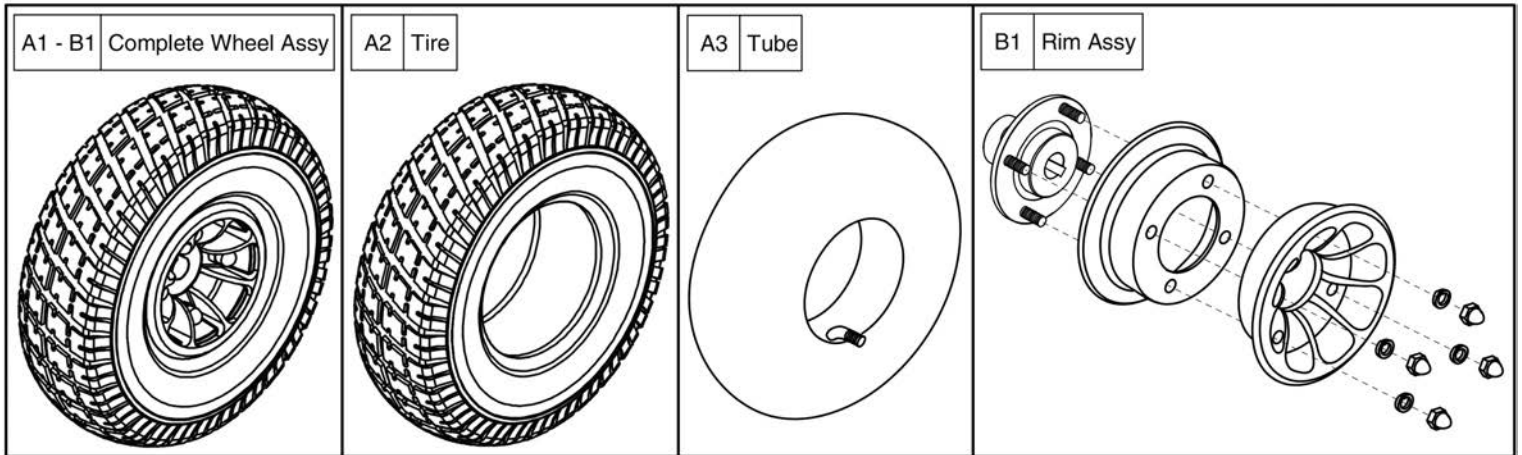
5. Drive Wheel Assy's

Applicable to Serial Number J7526214086020 and subsequent.



Item	Part No.	Name	Qty
A1 - B1	WHL140393	WHEEL,ASSY,FLAT-FREE,BLACK RIM/CHARCOAL TIRE,10",4" MICROMAG,1.90 HUB,C-9210-1,WHL140508	1
A1		TIRE,W/FLAT FREE INSERT,CHARCOAL,3.00-4",C-9210-1,(GALLOP:5504014)	1
B1	WHLASMB1494	WHEEL,ASSY,RIM,BLACK,4",MICRO, 1.90 HUB MAG	1
C1	DWR1058C007	WHEEL,HUB,W/STUDS,17MM KEYWAY,C-1058-007	1

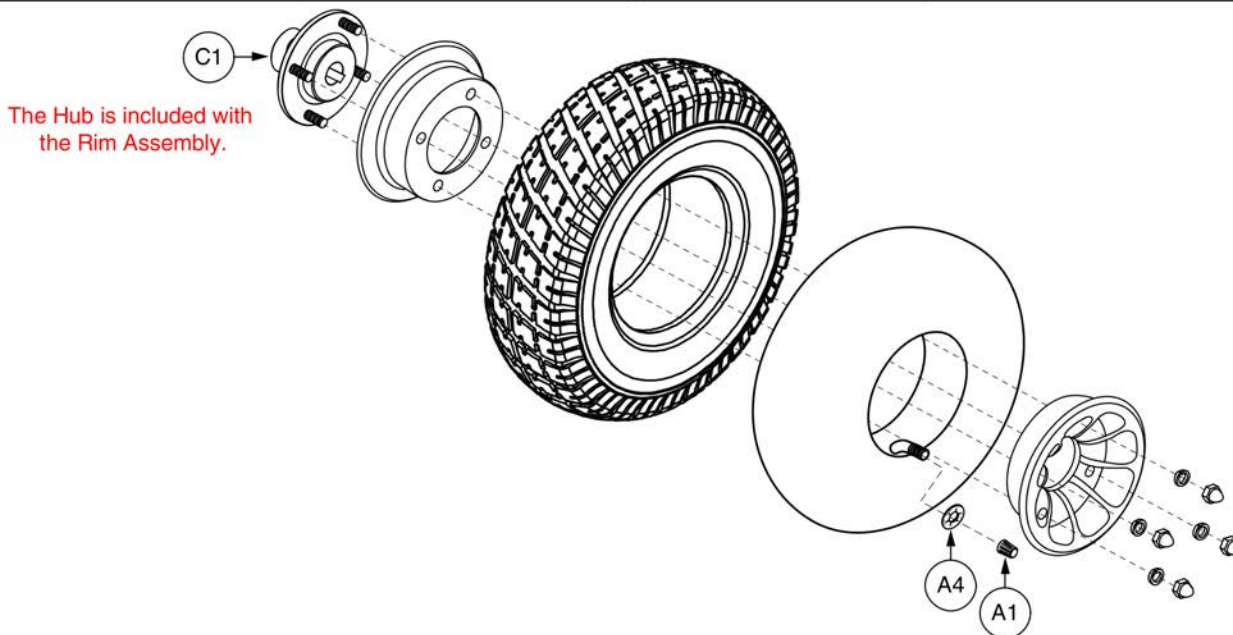
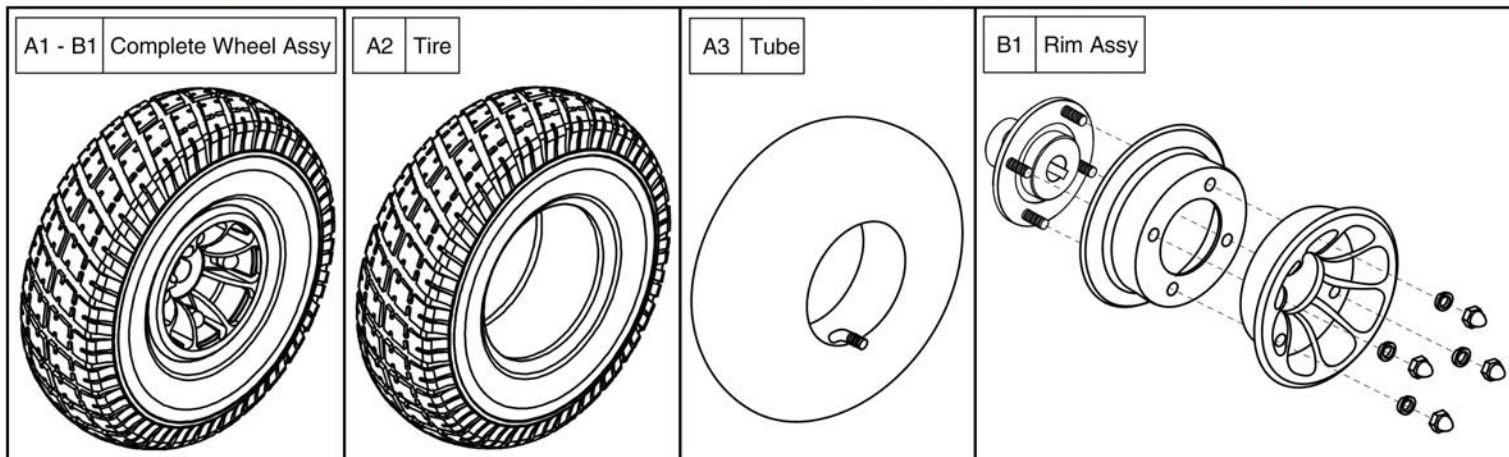
5. Drive Wheel Assy's



Item	Part No.	Name	Qty
A1 - B1	WHLASMB1417	WHEEL,ASSY,PNEUMATIC DRIVE WHEEL,BLACK,4",MICRO MAG,1.90 HUB,C-9210-1,E-1116-030	2
A1	PLSINDV1003	CAP,BLACK,VALVE	1
A2	TIRPNEU1015	TIRE,PNEUMATIC,3.00-4, C-9210-1	1
A3	TUBSTND1012	TUBE,3.00-4,ANGLED VALVE W/CAP,(GALLOP: Z131795)	1
A4		SLIP COVER,VALVE STEM,35PSI,2.4 BAR,MAX RATING,A-7700-010	1
B1	WHLASMB1494	WHEEL,ASSY,RIM,BLACK,4",MICRO, 1.90 HUB MAG	1
C1	DWR1058C007	WHEEL,HUB,W/STUDS,17MM KEYWAY,C-1058-007	1

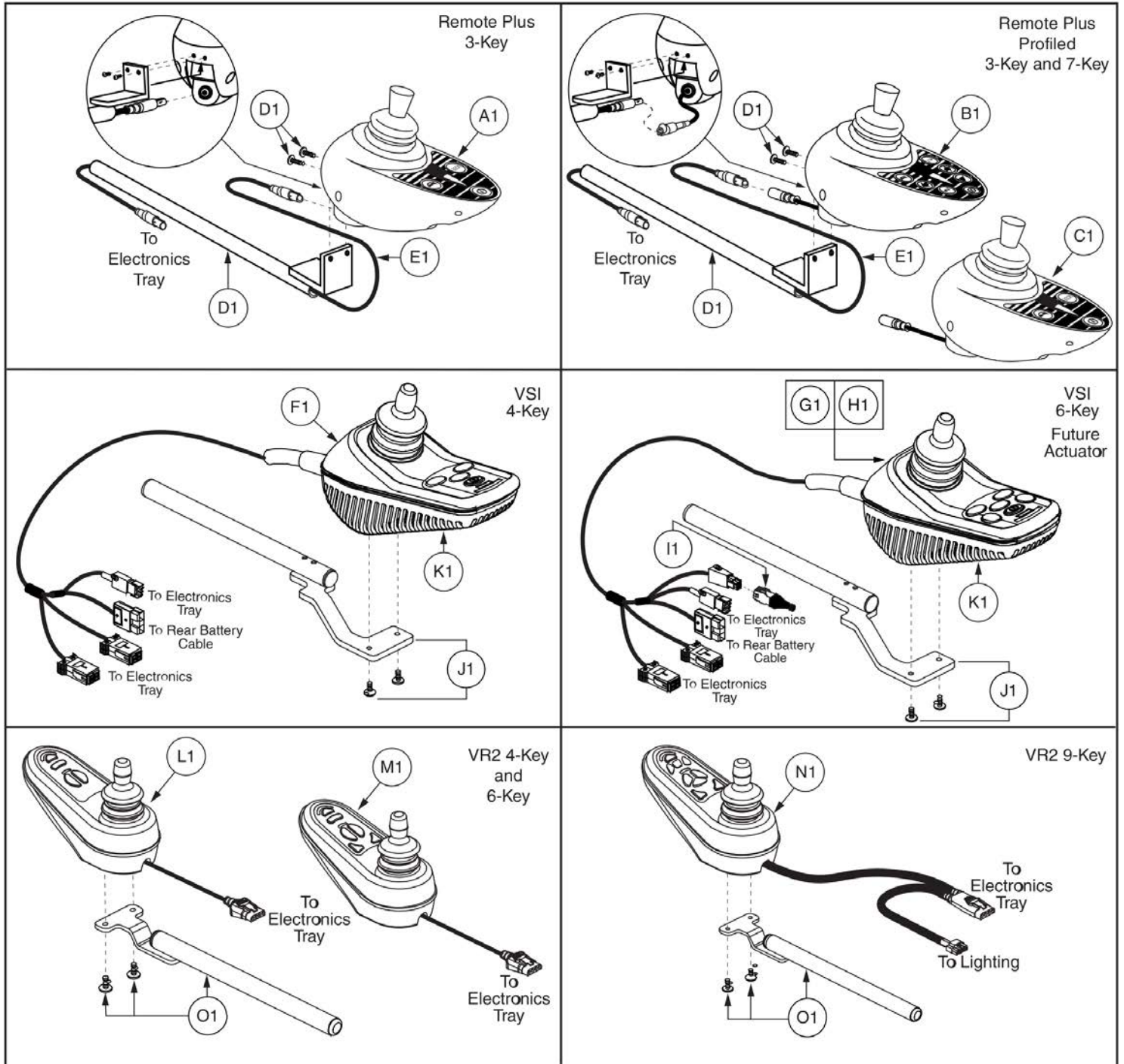
5. Drive Wheel Assy's

Applicable to Serial Number J7526214086020 and subsequent.



Item	Part No.	Name	Qty
A1 - B1	WHL140390	WHEEL,ASSY,PNEUMATIC,BLACK RIM/CHARCOAL TIRE,10",4" MICROMAG,1.90 HUB,C-9210-1,E-1116-030	2
A1	PLSINDV1003	CAP,BLACK,VALVE	1
A2		TIRE,PNEUMATIC,CHARCOAL,3.00-4, C-9210-1	1
A3	TUBSTND1012	TUBE,3.00-4,ANGLED VALVE W/CAP,(GALLOP: Z131795)	1
A4		SLIP COVER,VALVE STEM,35PSI,2.4 BAR,MAX RATING,A-7700-010	1
B1	WHLASMB1494	WHEEL,ASSY,RIM,BLACK,4",MICRO, 1.90 HUB MAG	1
C1	DWR1058C007	WHEEL,HUB,W/STUDS,17MM KEYWAY,C-1058-007	1

6. Joystick Assy's

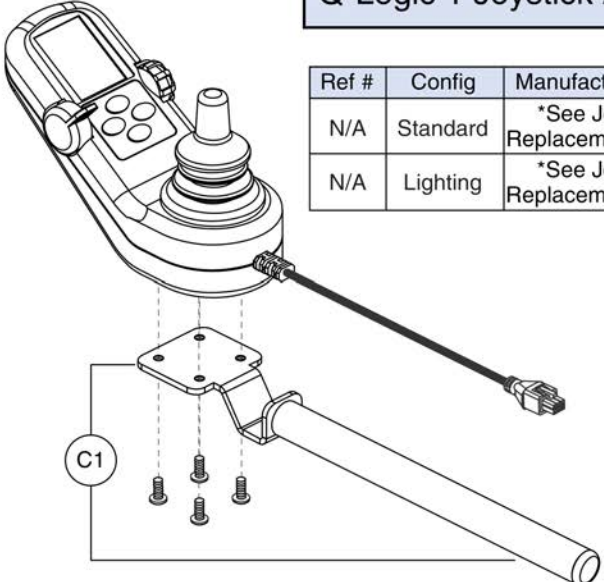


Item	Part No.	Name	Qty
A1		CONTROLLER,JOYSTICK MODULE, REMOTE PLUS,3 KEY,SINGLE PROFILE,(P & G: D49671)	1
B1	CTLDC1368	CONTROLLER,JOYSTICK MODULE, REMOTE PLUS,3 KEY W/PROFILES,FLYING LEAD,(P&G D50524)	1
C1		CONTROLLER,JOYSTICK MODULE,ACCESSORY REMOTE PLUS,7 KEY,W/PROFILES,(P&G:D49982)	1
D1	FRMASMB2066	FIXED INLINE JOYSTICK MOUNT,ASSY,REMOTE PLUS	1
E1		ELECTRONIC,HARNESS,1.16 LONG,REDEL CABLE, REMOTE PLUS,JOYSTICK TO TRAY,H-1010-049	1
F1	ELEASMB4807	CONTROLLER,VSI,ASSY,4 KEY,70 AMP,W/FLYING LEADS,MWD GLIDE MOTOR PROGRAM,QUANTUM610	1
G1	ELEASMB4808	CONTROLLER,ASSY,VSI,6 KEY,70 AMP,1 ACTUATOR,W/FLYING LEADS,MWD GLIDE MOTOR PROGRAM,QUANTUM610	1
H1	ELEASMB5343	CONTROLLER,VSI,ASSY,6 KEY,50(70) AMP,1 ACTUATOR,W/FLYING LEADS,FUTURE ACTUATOR EXPANSION,QUANTUM610	1
I1	DWR1010H047	ELECTRONIC,HARNESS,RUN PLUG,VSI,2 ACTUATOR,6-PIN,H-1010-047	1
J1	FRMASMB4767	JOYSTICK MOUNTING BRACKET,ASSY,VSI CONTROLLER,INLINERIGHT,C-1010-193	1
K1	PLSINDV1164	VSI SHIELD,(P&G: P76630)	1
L1	CTLDC1463	CONTROLLER,JOYSTICK MODULE,4 KEY,VR2,H-1111-015,(P&G: D50677)	1
M1	CTLDC1498	CONTROLLER,JOYSTICK MODULE,6 KEY,VR2,H-1111-063,(P&G: D50680)	1
N1	CTLDC1505	CONTROLLER,JOYSTICK MODULE,9 KEY,ACTUATORS & LIGHTS,VR2,H-1010-130,(P&G: D50871)	1
O1	FRMASMB9532	JOYSTICK MOUNTING BRACKET,ASSY,GC/VR2 CONTROLLER,INLINE	1

6. Joystick Assy's

Q-Logic 1 Joystick Assy's - No Longer Available

Ref #	Config	Manufacture Date
N/A	Standard	*See Joystick Replacement Notes
N/A	Lighting	*See Joystick Replacement Notes



****Q-Logic 1 Joystick Replacement****

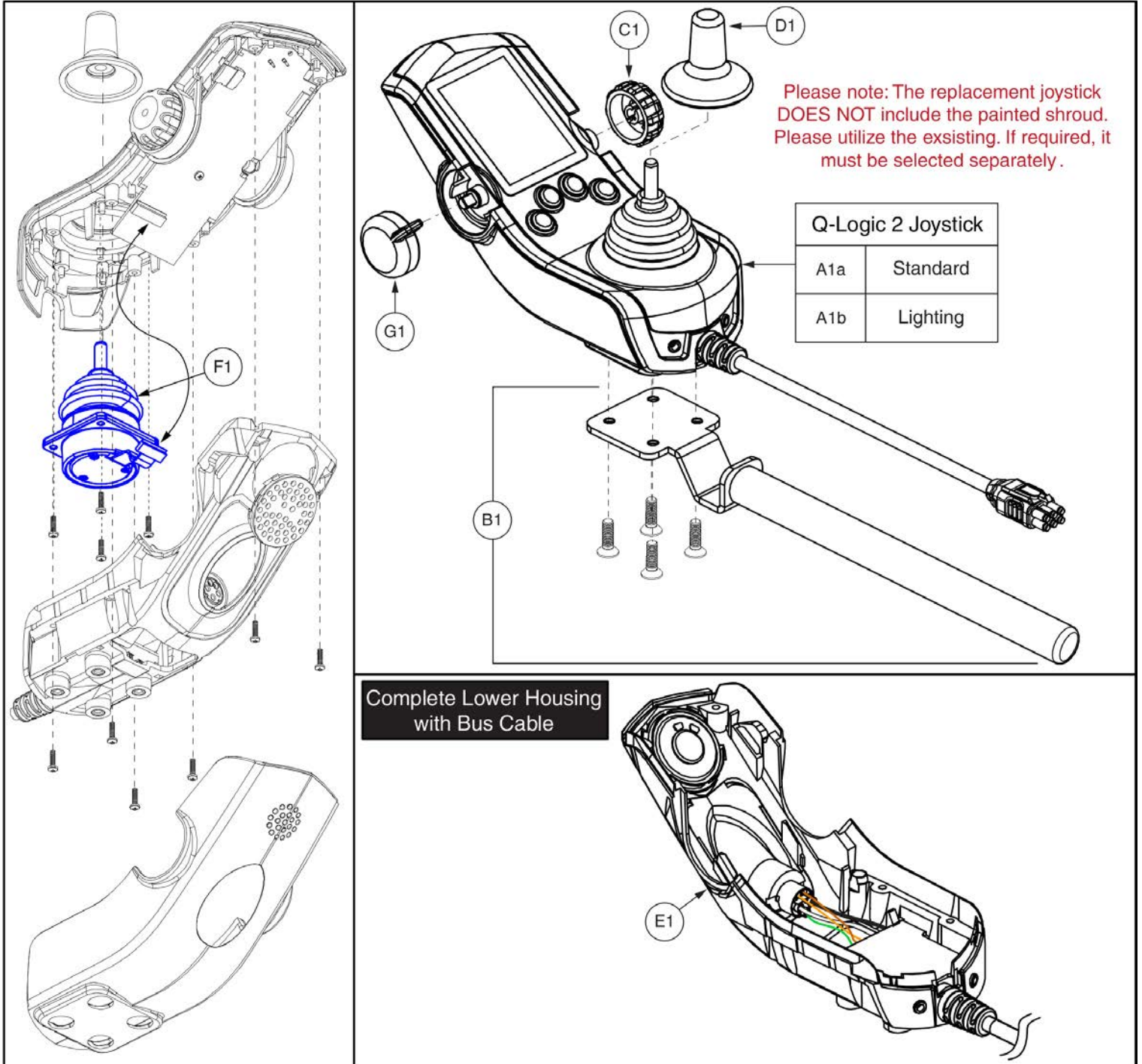
The **Q-Logic 1 Standard & Lighting Joysticks** have been replaced by the Q-Logic 2 Joysticks, CTL123217 & CTL124653 respectively. Programming is required. Contact service for further information.

Q-Logic 1 Joystick Assy's



Item	Part No.	Name	Qty
A1		CONTROLLER,JOYSTICK MODULE,Q-LOGIC,CURTIS,4 KEY,W/LCD COLOR DISPLAY,H-1111-022,(CURTIS: 17856700)	1
B1		CONTROLLER,JOYSTICK,Q-LOGIC (FW 1.38),CURTIS,4 KEY,W/LCD COLOR DISPLAY	1
C1	FRMASMB10617	JOYSTICK MOUNTING BRACKET,ASSY,CURTIS,INLINE	1

6. Joystick Assy's

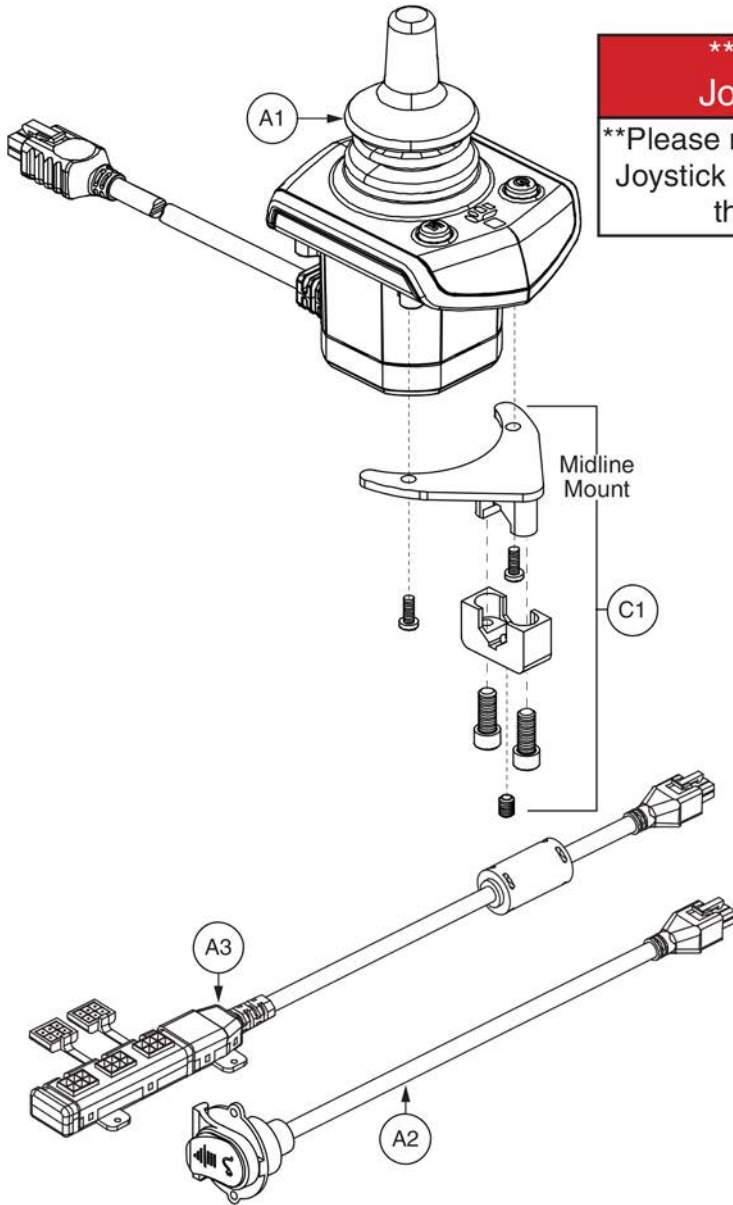


Q-Logic 2 Joystick Assemblies

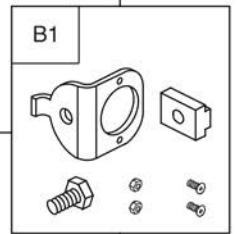
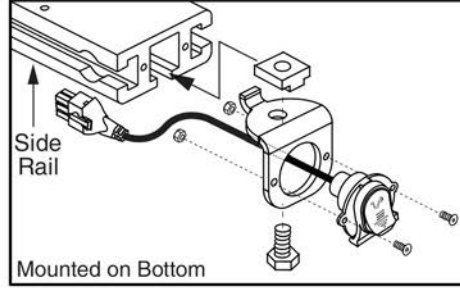
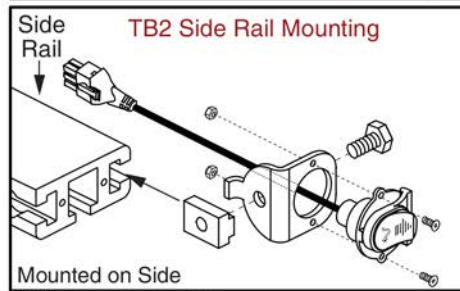
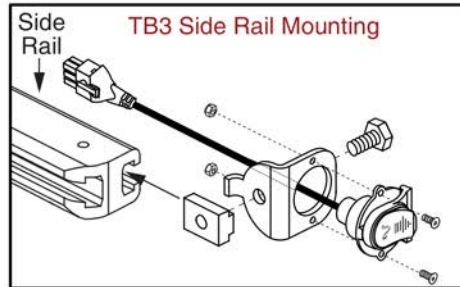
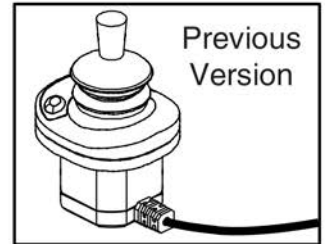


Item	Part No.	Name	Qty
A1a	CTL123217	CONTROLLER,JOYSTICK MODULE Q-LOGIC 2,4 KEY,W/LCD COLOR DISPLAY	1
A1b	CTL124653	CONTROLLER,JOYSTICK MODULE Q-LOGIC 2,4 KEY,LIGHTS,W/LCD COLOR DISPLAY	1
B1	FRMASMB10617	JOYSTICK MOUNTING BRACKET,ASSY,CURTIS,INLINE	1
C1	DGN124309	SPEED WHEEL,KNOB,CURTIS Q-LOGIC 2,BLACK,PLASTIC,DGN124309,(CURTIS: 17949367-01)	1
D1	DGN124308	JOYSTICK,KNOB,CURTIS,STANDARD,6.35MM-ID,DGN124308,(CURTIS: 37381)	1
E1	ELE124313	Q-LOGIC 2 BOTTOM HOUSING,JOYSTICK MODULE,W/BUS CABLE	1
F1	ELE124312	ELECTRONIC,JOYSTICK GIMBLE,DIGITAL,Q-LOGIC 2&3	1
G1	KIT152919	KIT,ASSY,Q-LOGIC 2 CONTROLLER,ON/OFF/MODE TOGGLE REPLACEMENT,W/INSTALLATION INSTRUCTIONS	1

6. Joystick Assy's



*****Q-Logic Stand Alone Joystick Replacement*****
****Please note: The Q-Logic 2 Stand Alone Joystick replaces all previous versions of the Stand Alone joystick.****



Q-Logic 2 Stand Alone Joystick Assy



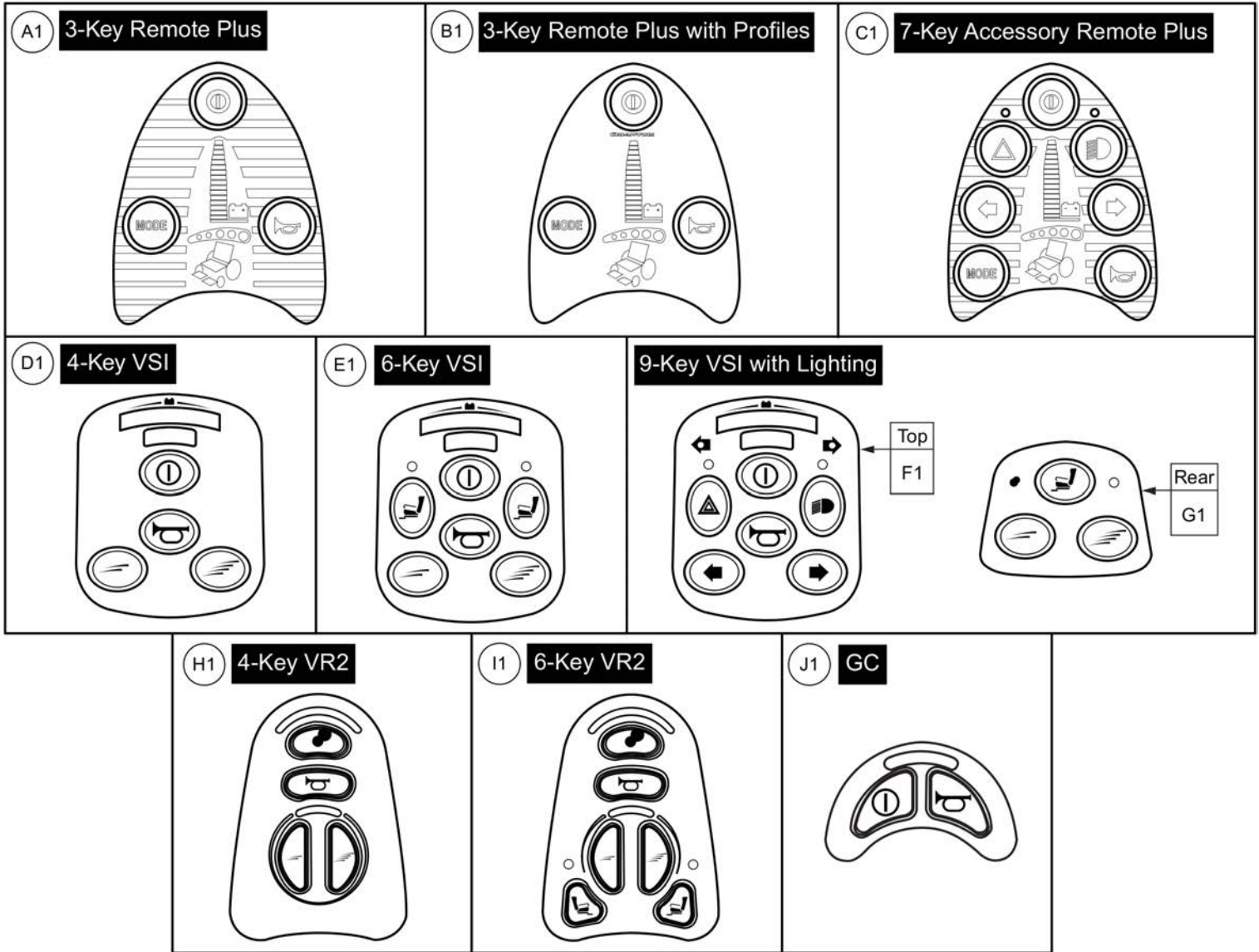
Item	Part No.	Name	Qty
A1	CTL137635	CONTROLLER,STAND ALONE JOYSTICK 2.0,Q-LOGIC 2 (CURTIS: 17960700-8109)	1
A2	DWR1111H051	HARNESS,CHARGER/PROGRAMMER,1.0 METER,H-1111-051,(CURTIS: 17880700)	1
A3	DWR1111H053	HARNESS,MULTIPLIER BOX,0.3 METER,H-1111-053,(CURTIS: 17869700)	1
B1	FRMASMB11156	MOUNTING BRACKET,ASSY,STAND ALONE JOYSTICK,SIDE RAIL MOUNT,C-1360-163	1
C1	FRMASMB10454	JOYSTICK MOUNTING BRACKET,ASSY,CURTIS STAND ALONE JOYSTICK,MIDLINE,C-1010-263	1

Joystick Knobs & Overlays

<p>A1 Soft Ball</p> 	<p>B1 I-Handle</p> 	<p>C1 T-bar</p> 	<p>D1 Ball</p> 				
<p>E1 Mushroom</p> 	<p>F1 Chin Cup</p> 	<p>G1 Remote Plus (Carrot)</p> 	<p>Goal Posts</p> <table border="1" data-bbox="1422 1062 1539 1167"> <tr> <td>H1</td> <td>3"</td> </tr> <tr> <td>I1</td> <td>4"</td> </tr> </table> 	H1	3"	I1	4"
H1	3"						
I1	4"						

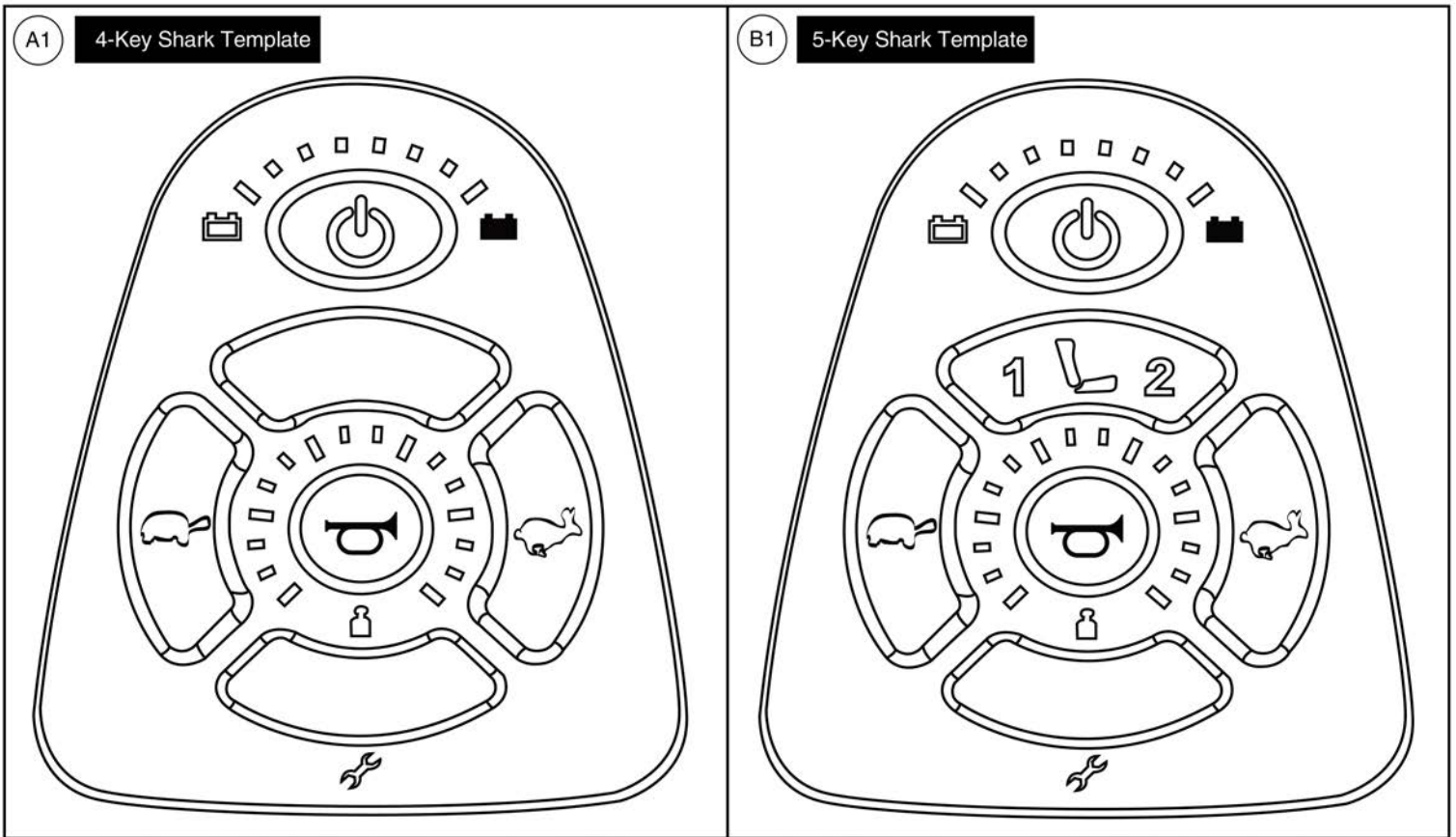
Item	Part No.	Name	Qty
A1	ACCASMB1856	P&G JOYSTICK KNOB,ASSY,JAZZY,SOFT BALL	1
B1	ACCASMB1857	P&G JOYSTICK KNOB,ASSY,JAZZY,EXTENDED I-HANDLE	1
C1	ACCASMB1858	P&G JOYSTICK KNOB,ASSY,JAZZY,T BAR	1
D1	ACCASMB1859	P&G JOYSTICK KNOB,ASSY,JAZZY,BALL	1
E1	ACCASMB1860	P&G JOYSTICK KNOB,ASSY,JAZZY,MUSHROOM	1
F1	ACCASMB1861	P&G JOYSTICK KNOB,ASSY,JAZZY,CHIN CUP	1
G1	ACCASMB1862	P&G JOYSTICK KNOB,ASSY,JAZZY,REMOTE STANDARD	1
H1	PLSKNCP1057	JOYSTICK KNOB,3",GOAL POST,W/FLEX SHAFT,FOR 1/4" STEM,(BP: PC101B)	1
I1	PLSKNCP1058	JOYSTICK KNOB,4",GOAL POST,W/FLEX SHAFT,FOR 1/4" STEM,(BP: PC102B)	1

Joystick Knobs & Overlays



Item	Part No.	Name	Qty
A1	TECSERV1064	ELECTRONIC,REMOTE PLUS JOYSTICK,3 KEY TEMPLATE,(PGDT: 73903)	1
B1	RECPART1085	ELECTRONIC,KEYPAD,REMOTE PLUS,3 KEY,PROFILED,(PGDT: P76347)	1
C1	TECSERV1065	ELECTRONIC,REMOTE PLUS JOYSTICK,7 KEY TEMPLATE,(P&G: P73907)	1
D1	RECPART1071	ELECTRONIC,KEYPAD,VSI,4 KEY,(PGDT: 222-P75736)	1
E1	RECPART1061	ELECTRONIC,KEYPAD,VSI,6 KEY,(PGDT: 222-P75735)	1
F1	RECPART1066	ELECTRONIC,KEYPAD,VSI,6 KEY W/LIGHTS,(PGDT: 222-P76522)	1
G1	RECPART1067	ELECTRONIC,KEYPAD,VSI,3 KEY,REAR,(PGDT: 222-SA76710)	1
H1	RECPART1129	ELECTRONIC,KEYPAD,VR2 CONTROLLER,4 KEY,(PG: P77909)	1
I1	RECPART1130	ELECTRONIC,KEYPAD,VR2 CONTROLLER,6 KEY,(PG: P77910)	1
J1	DWR1111H199	ELECTRONIC,KEYPAD,GC CONTROLLER,2 KEY,H-1111-199,(PGDT: P78238)	1

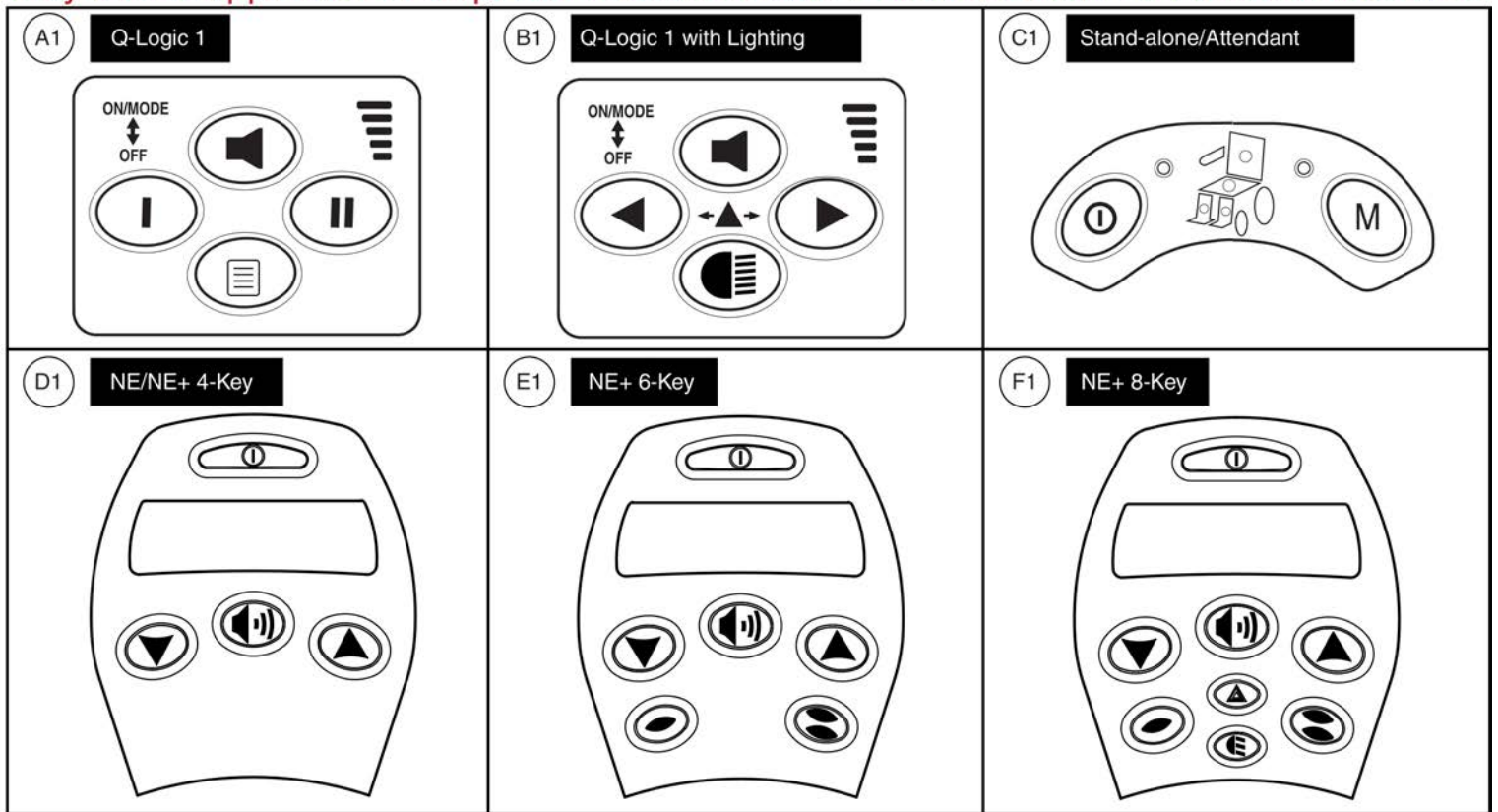
Joystick Knobs & Overlays



Item	Part No.	Name	Qty
A1	PLSINDV1264	ELECTRONIC,KEYPAD,SHARK CONTROLLER,4 KEY,(DYNAMIC: GLA80843)	1
B1	PLSINDV1265	ELECTRONIC,KEYPAD,SHARK CONTROLLER,5 KEY,(DYNAMIC: GLA80842)	1

Joystick Knobs & Overlays

Please note: Joystick selection varies by power base model. Replacement parts shown may not be applicable to all power bases. Contact Technical Service for more information.

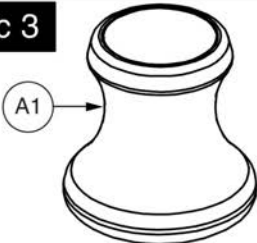
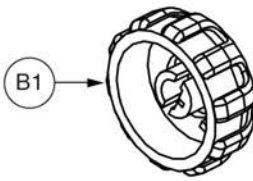
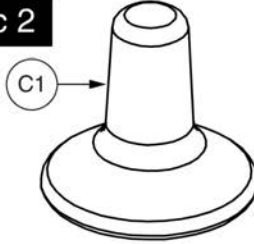
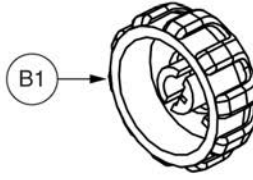
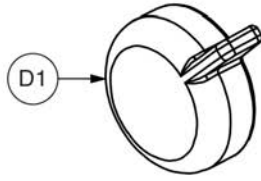
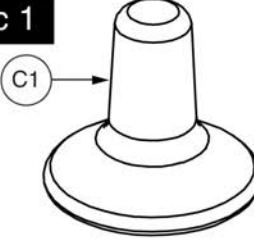
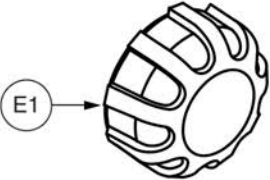


Item	Part No.	Name	Qty
A1	KITASMB1728	KIT,ASSY,Q-LOGIC CONTROLLER KEYPAD REPLACEMENT,W/INSTALLATION INSTRUCTIONS	1
B1	KITASMB1729	KIT,ASSY,Q-LOGIC CONTROLLER W/LIGHTS KEYPAD REPLACEMENT,W/INSTALLATION INSTRUCTIONS	1
C1	KITASMB1730	KIT,ASSY,Q-LOGIC STAND ALONE CONTROLLER KEYPAD REPLACEMENT,W/INSTALLATION INSTRUCTIONS	1
D1	KIT152913	KIT,ASSY,NE/NE PLUS CONTROLLER,4 KEY KEYPAD REPLACEMENT,W/INSTALLATION INSTRUCTIONS	1
E1	KIT152914	KIT,ASSY,NE/NE PLUS CONTROLLER,6 KEY KEYPAD REPLACEMENT,W/INSTALLATION INSTRUCTIONS	1
F1	KIT152915	KIT,ASSY,NE/NE PLUS CONTROLLER,8 KEY KEYPAD REPLACEMENT,W/INSTALLATION INSTRUCTIONS	1

Joystick Knobs & Overlays

Please note:

- Joystick selection varies by power base model. Replacement parts shown may not be applicable to all power bases.
- Serviceable components vary for each version of the Q-Logic Joystick and only the serviceable parts are shown for each.
- Contact Technical Service for more information.

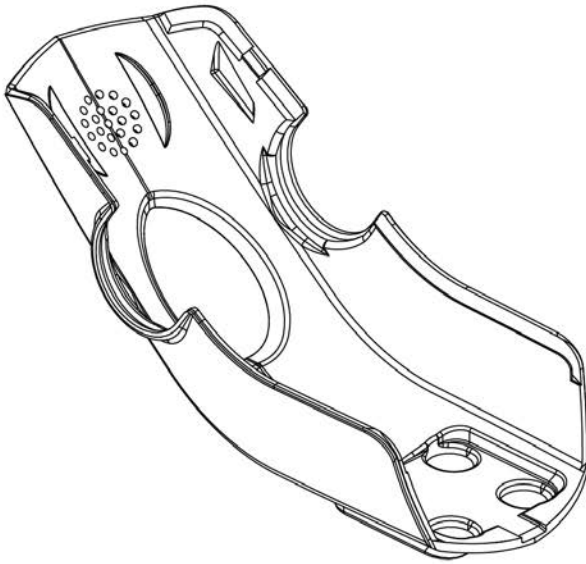
<p>Q-Logic 3</p>  <p>A1</p> <p>Joystick & Stand-alone/Attendant Gimble Knob</p>	 <p>B1</p> <p>Speed Knob</p>	
<p>Q-Logic 2</p>  <p>C1</p> <p>Joystick & Stand-alone/Attendant Gimble Knob</p>	 <p>B1</p> <p>Speed Knob</p>	 <p>D1</p> <p>On/Off/Mode Knob <i>(NOT compatible with Q-Logic 1 or 3)</i></p>
<p>Q-Logic 1</p>  <p>C1</p> <p>Joystick & Stand-alone/Attendant Gimble Knob</p>	 <p>E1</p> <p>Speed Knob</p>	

Item	Part No.	Name	Qty
A1	DGN154742	JOYSTICK, KNOB, Q-LOGIC 3, 6.35MM-ID, (CURTIS: 17519114-01)	1
B1	DGN124309	SPEED WHEEL,KNOB,CURTIS Q-LOGIC 2,BLACK,PLASTIC,DGN124309,(CURTIS: 17949367-01)	1
C1	DGN124308	JOYSTICK,KNOB,CURTIS,STANDARD,6.35MM-ID,DGN124308,(CURTIS: 37381)	1
D1	KIT152919	KIT,ASSY,Q-LOGIC 2 CONTROLLER,ON/OFF/MODE TOGGLE REPLACEMENT,W/INSTALLATION INSTRUCTIONS	1
E1	PLSINDV1252	ELECTRONIC,KNOB,BLACK,PLASTIC,SPEED WHEEL,(CURTIS: 17856352-A)	1

Q-Logic 2 & 3 Joystick Shrouds

***Please Note:**

- The joystick shrouds are available in all the Quantum colors listed.
- Power base colors vary by model and some colors listed may not be available on all power bases. See the Quantum Color Reference Chart for color options.
- Some colors listed may have prolonged lead times.
- Contact Technical Service for more information.



Q-Logic 2 (Pre 2015)	
Ref#	Color Name
A1	Std., Soft Touch
A2	Black
A3	Silver
A4	Candy Apple Red
A5	Pearl Pink
A6	Sapphire Blue
A7	True Blue
A8	Viper Blue
A9	Emerald Green
A10	Orion Yellow
A11	Sunburst Orange

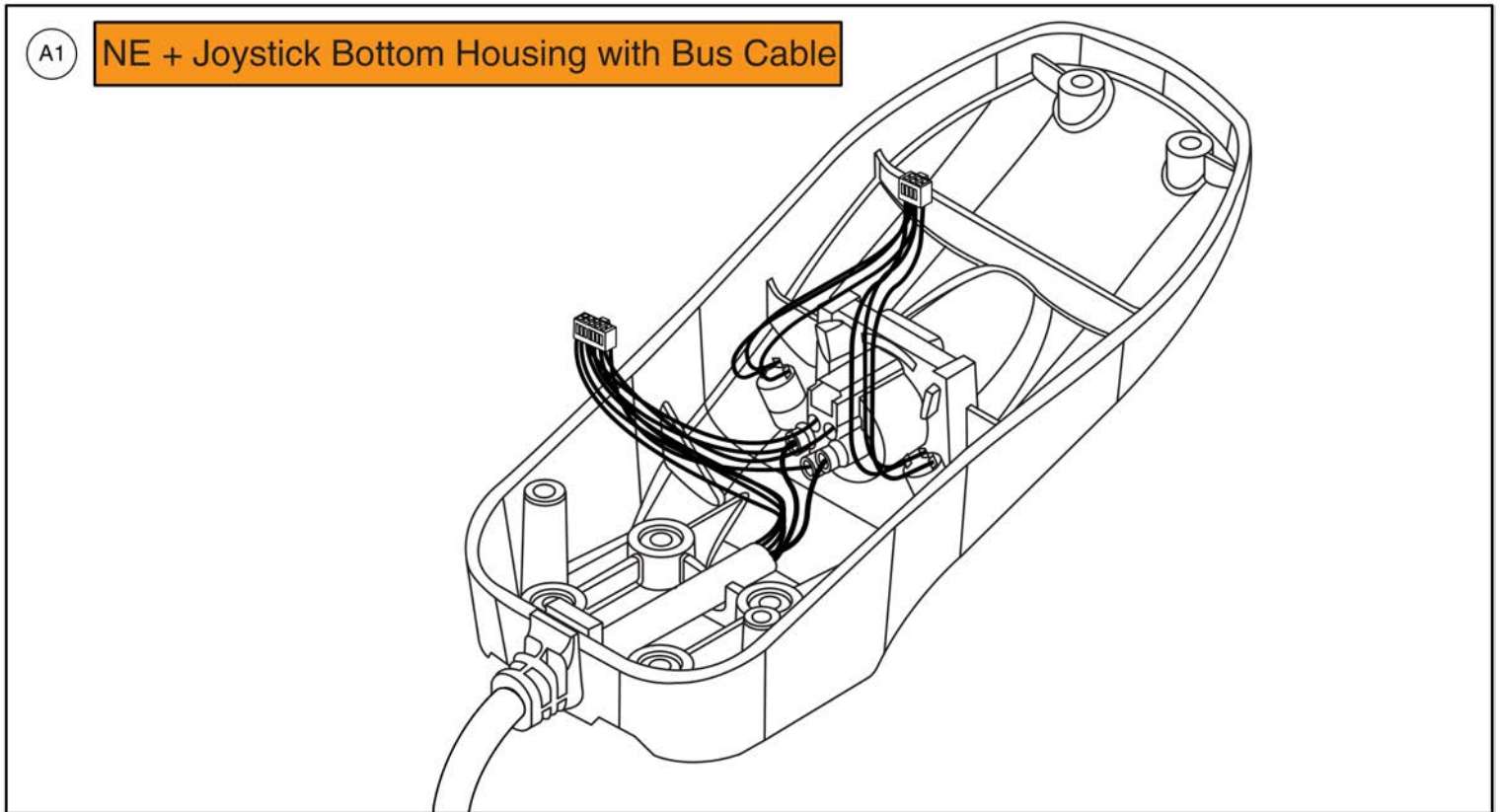
Q-Logic 2 (Post 2015) & Q-Logic 3	
Ref#	Color Name
B1	Std., Soft Touch
B2	Back in Black
B3	Night Train
B4	Grey Street
B5	Silver Bullet
B6	White Satin
B7	Red Corvette
B8	Cherry Bomb
B9	Pretty in Pink
B10	Raspberry Beret
B11	Sugar Plum
B12	Deep Purple
B13	Midnight Blue
B14	Electric Blue
B15	Blue Jean
B16	Green Machine
B17	Military Green
B18	Lime Light
B19	Yellow Blaze
B20	Lemon Crush
B21	Orange Crush
B22	Evolution Orange
B23	Carbon Fiber
B24	Digital Camo
B25	Faded Glory

Q-Logic 2 & 3 Joystick Shrouds



Item	Part No.	Name	Qty
A1	DGN124307	Q-LOGIC 2/3 JOYSTICK SHROUD,BLACK SOFT-TOUCH PAINT,(CURTIS: 17949365-02)	1
A2	DGN124336-PBK1	Q-LOGIC 2/3 JOYSTICK SHROUD,PPW-BLK-01 (BACK IN BLACK/BLACK)	1
A3	DGN124336-PSL1	Q-LOGIC 2/3 JOYSTICK SHROUD,PPW-SIL-01 (SILVER)	1
A4	DGN124336-PRD1	Q-LOGIC 2/3 JOYSTICK SHROUD,PPW-RED-01 (RED CORVETTE/CANDY APPLE RED)	1
A5	DGN124336-PPK1	Q-LOGIC 2/3 JOYSTICK SHROUD,PPW-PNK-01 (PEARL PINK)	1
A6	DGN124336-PPR4	Q-LOGIC 2/3 JOYSTICK SHROUD,PPW-PRP-04 (SAPPHIRE BLUE)	1
A7	DGN124336-PBU9	Q-LOGIC 2/3 JOYSTICK SHROUD,PPW-BLU-09 (ELECTRIC BLUE/TRUE BLUE)	1
A8	DGN124336-PBU1	Q-LOGIC 2/3 JOYSTICK SHROUD,PPW-BLU-01 (VIPER BLUE)	1
A9	DGN124336-PGN5	Q-LOGIC 2/3 JOYSTICK SHROUD,PPW-GRN-05 (EMERALD GREEN)	1
A10	DGN124336-PYL3	Q-LOGIC 2/3 JOYSTICK SHROUD,PPW-YEL-03 (YELLOW BLAZE/ORION YELLOW)	1
A11	DGN124336-POR4	Q-LOGIC 2/3 JOYSTICK SHROUD,PPW-ORN-04 (SUNBURST ORANGE)	1
B1	DGN124307	Q-LOGIC 2/3 JOYSTICK SHROUD,BLACK SOFT-TOUCH PAINT,(CURTIS: 17949365-02)	1
B2	DGN124336-PBK1	Q-LOGIC 2/3 JOYSTICK SHROUD,PPW-BLK-01 (BACK IN BLACK/BLACK)	1
B3	DGN124336-PBK3	Q-LOGIC 2/3 JOYSTICK SHROUD,PPW-BLK-03 (NIGHT TRAIN)	1
B4	DGN124336-PSL3	Q-LOGIC 2/3 JOYSTICK SHROUD,PPW-SIL-03 (GREY STREET)	1
B5	DGN124336-PSL7	Q-LOGIC 2/3 JOYSTICK SHROUD,PPW-SIL-07 (SILVER BULLET)	1
B6	DGN124336-PWH2	Q-LOGIC 2/3 JOYSTICK SHROUD,PPW-WHT-02 (WHITE SATIN)	1
B7	DGN124336-PRD1	Q-LOGIC 2/3 JOYSTICK SHROUD,PPW-RED-01 (RED CORVETTE/CANDY APPLE RED)	1
B8	DGN124336-PRD4	Q-LOGIC 2/3 JOYSTICK SHROUD,PPW-RED-04 (CHERRY BOMB)	1
B9	DGN124336-PPK3	Q-LOGIC 2/3 JOYSTICK SHROUD,PPW-PNK-03 (PRETTY IN PINK)	1
B10	DGN124336-PPK4	Q-LOGIC 2/3 JOYSTICK SHROUD,PPW-PNK-04 (RASPBERRY BERET)	1
B11	DGN124336-PPR7	Q-LOGIC 2/3 JOYSTICK SHROUD,PPW-PRP-07 (SUGAR PLUM)	1
B12	DGN124336-PPR5	Q-LOGIC 2/3 JOYSTICK SHROUD,PPW-PRP-05 (DEEP PURPLE)	1
B13	DGN124336-PBU10	Q-LOGIC 2/3 JOYSTICK SHROUD,PPW-BLU-10 (MIDNIGHT BLUE)	1
B14	DGN124336-PBU9	Q-LOGIC 2/3 JOYSTICK SHROUD,PPW-BLU-09 (ELECTRIC BLUE/TRUE BLUE)	1
B15	DGN124336-PBU11	Q-LOGIC 2/3 JOYSTICK SHROUD,PPW-BLU-11 (BLUE JEAN)	1
B16	DGN124336-PGN11	Q-LOGIC 2/3 JOYSTICK SHROUD,PPW-GRN-11 (GREEN MACHINE)	1
B17	DGN124336-PGN8	Q-LOGIC 2/3 JOYSTICK SHROUD,PPW-GRN-08 (MILITARY GREEN)	1
B18	DGN124336-PGN7	Q-LOGIC 2/3 JOYSTICK SHROUD,PPW-GRN-07 (LIME LIGHT)	1
B19	DGN124336-PYL3	Q-LOGIC 2/3 JOYSTICK SHROUD,PPW-YEL-03 (YELLOW BLAZE/ORION YELLOW)	1
B20	DGN124336-PYL4	Q-LOGIC 2/3 JOYSTICK SHROUD,PPW-YEL-04 (LEMON CRUSH)	1
B21	DGN124336-POR6	Q-LOGIC 2/3 JOYSTICK SHROUD,PPW-ORN-06 (ORANGE CRUSH)	1
B22	DGN124336-POR7	Q-LOGIC 2/3 JOYSTICK SHROUD,PPW-ORN-07 (EVOLUTION ORANGE)	1
B23	DGN124336-WCB1	Q-LOGIC 2/3 JOYSTICK SHROUD,PWT-CBN-01 (CARBON FIBER)	1
B24	DGN124336-WCM7	Q-LOGIC 2/3 JOYSTICK SHROUD,PWT-CMO-07 (MILITARY DIGITAL CAMO)	1
B25	DGN124336-WFL2	Q-LOGIC 2/3 JOYSTICK SHROUD,PWT-FLG-02 (FADED GLORY)	1

Joystick Bottom Housings

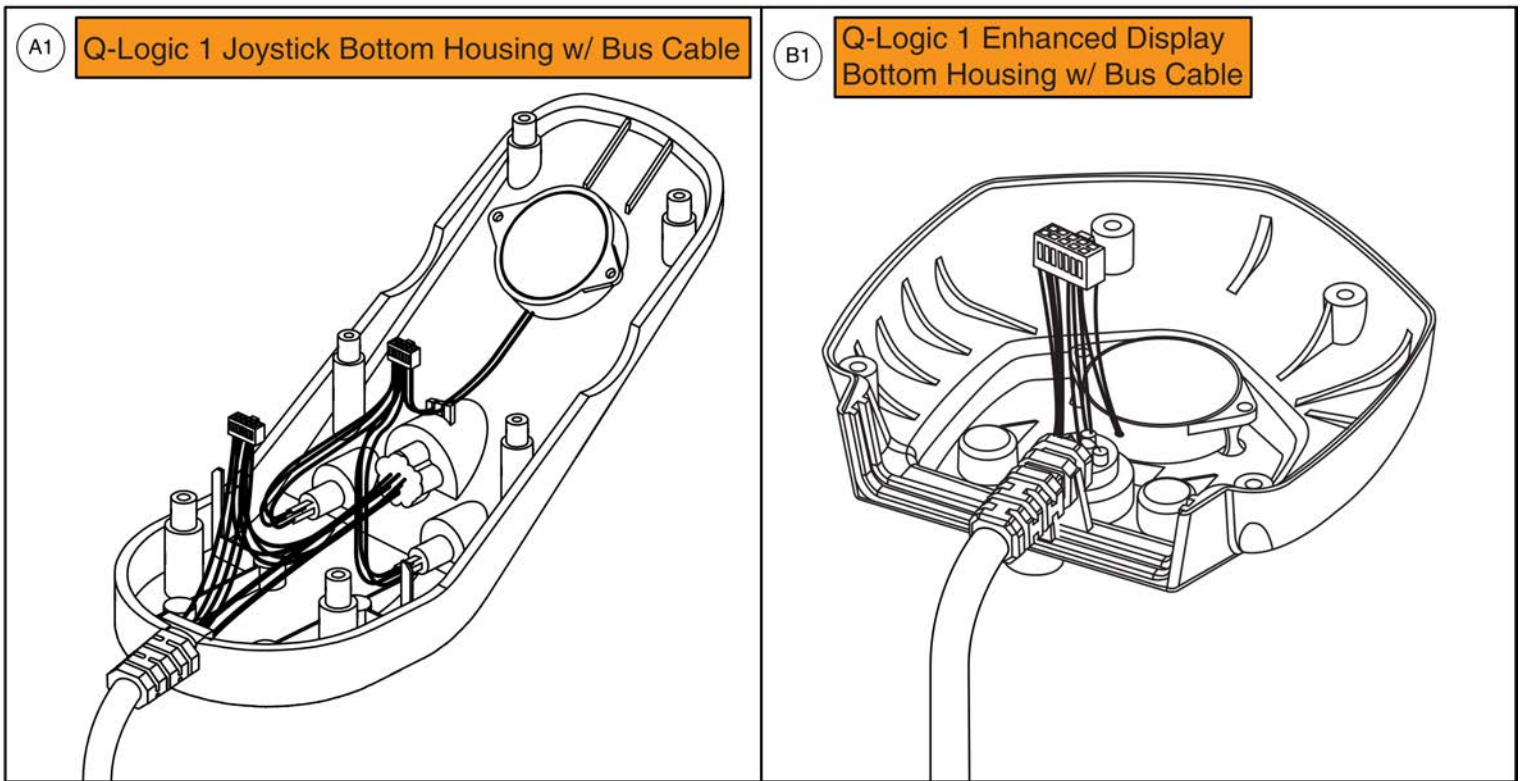


NE + Joystick Bottom Housing w/Bus Cable



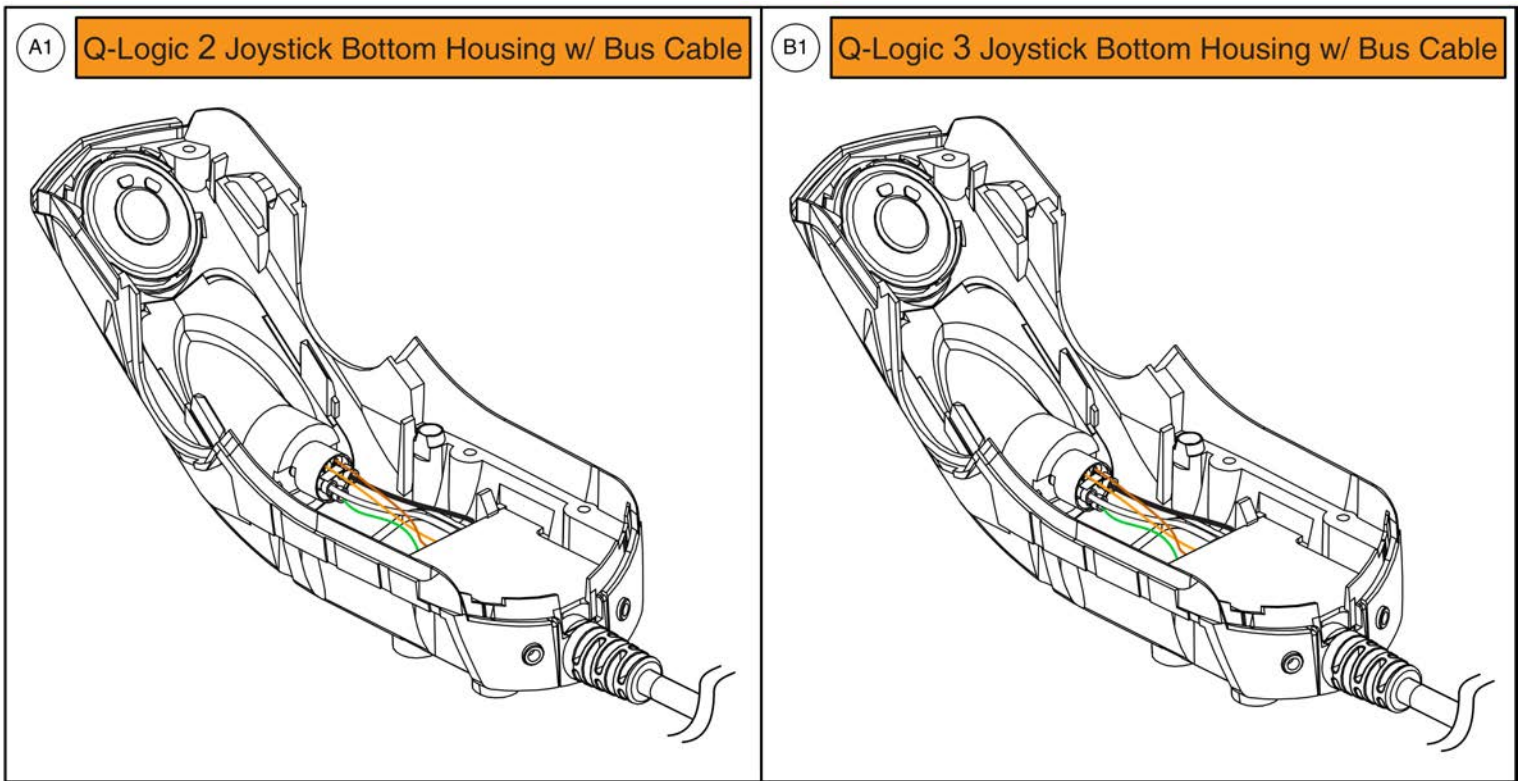
Item	Part No.	Name	Qty
A1	DWR1111C003	JOYSTICK REPLACEMENT BOTTOM,W/HARNESS,NE+ W/JACKS,C-1111-003,(CURTIS: 17906705)	1

Joystick Bottom Housings



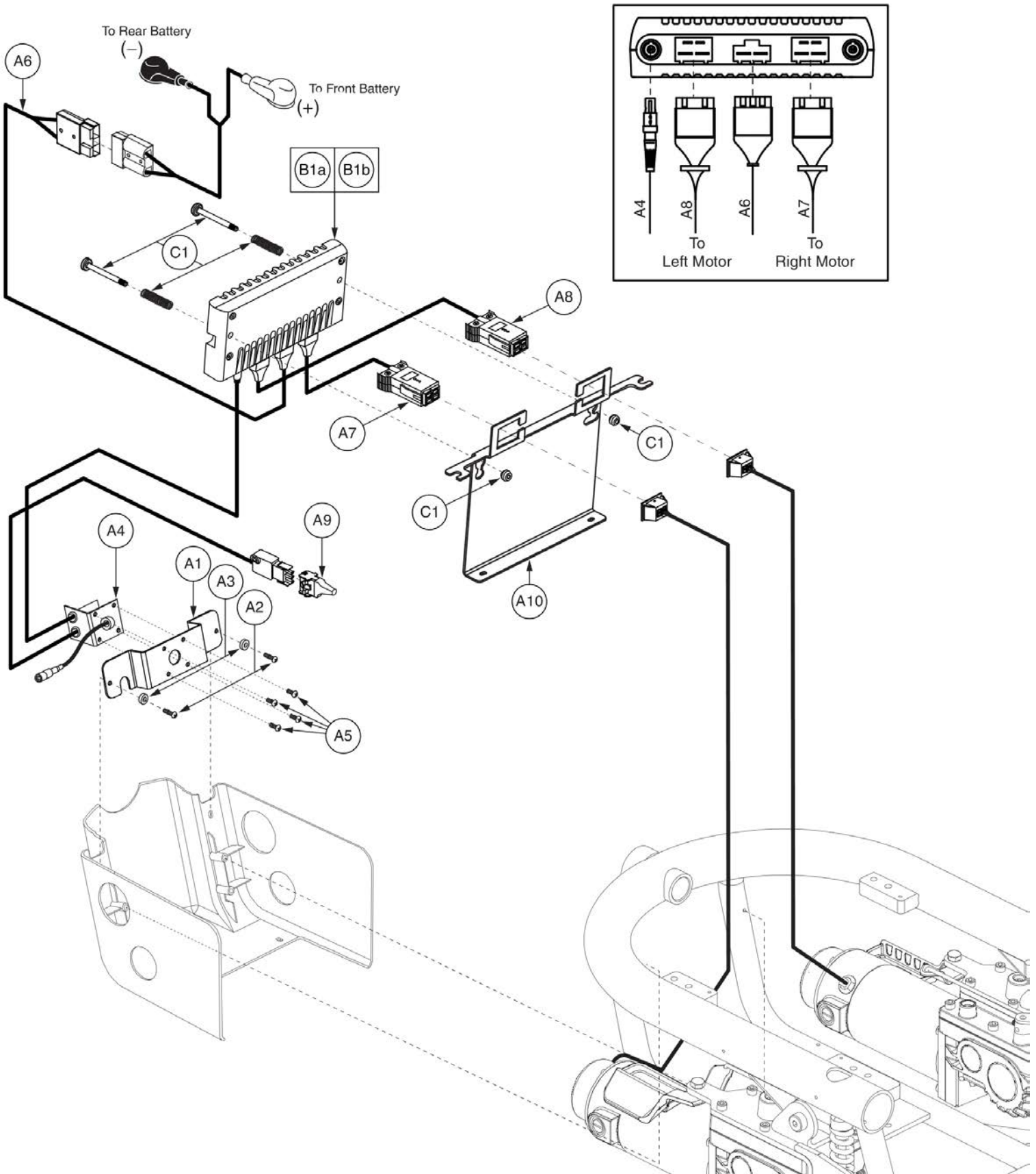
Item	Part No.	Name	Qty
A1	DWR1111H066	ELECTRONIC,BOTTOM HOUSING,4 KEY JOYSTICK MODULE,W/BUS CABLE,CURTIS,H-1111-066,(CURTIS: 17856705)	1
B1	DWR1111H067	ELECTRONIC,BOTTOM HOUSING,ENHANCED DISPLAY CONTROLLER,W/BUS CABLE,CURTIS,H-1111-067,(CURTIS: 17861705)	1

Joystick Bottom Housings



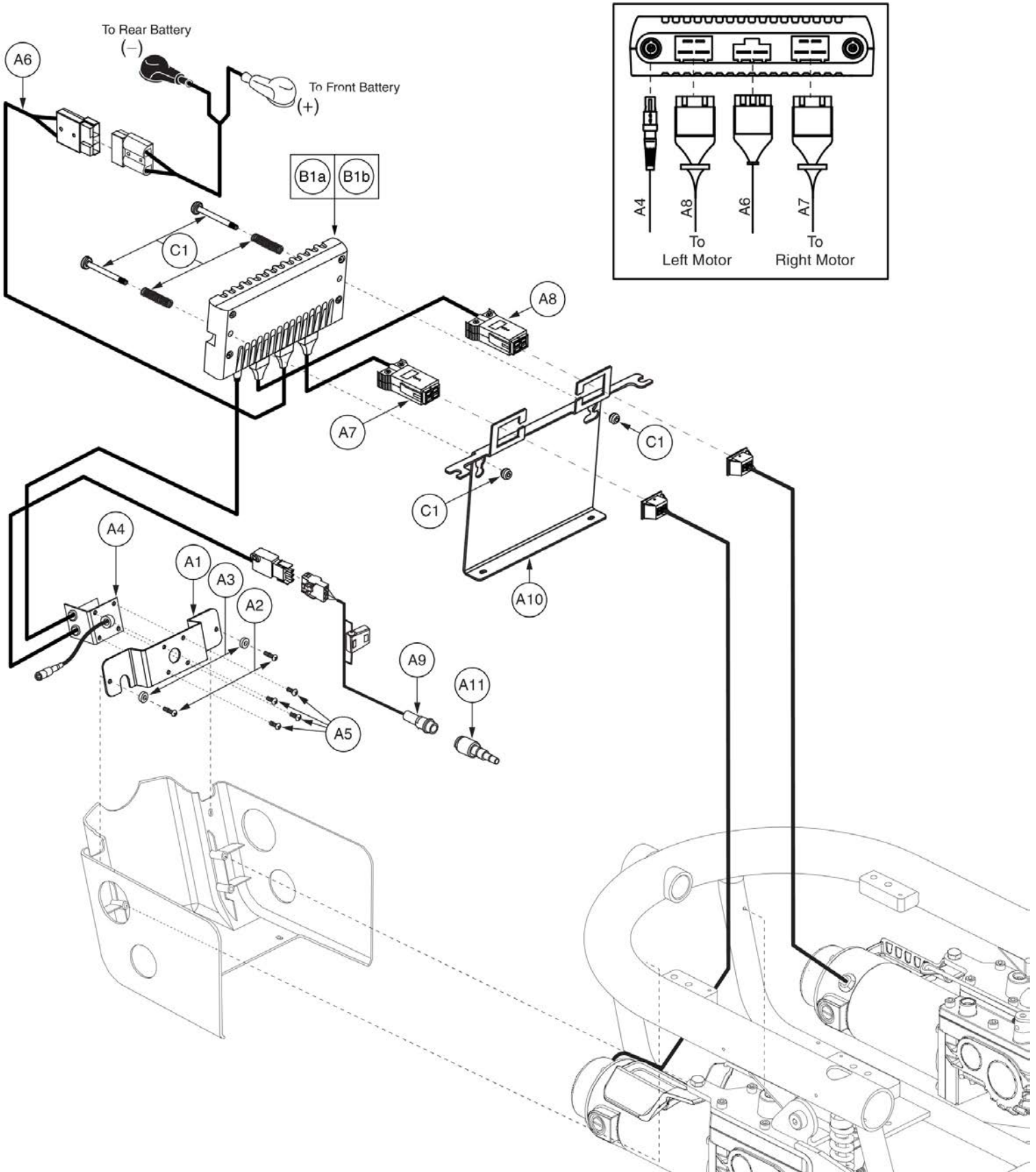
Item	Part No.	Name	Qty
A1	ELE124313	Q-LOGIC 2 BOTTOM HOUSING,JOYSTICK MODULE,W/BUS CABLE	1
B1	ELE144006	ELECTRONIC, BOTTOM HOUSING, JOYSTICK MODULE Q-LOGIC 3,W/ BUS CABLE Q-LOGIC 3, (CURTIS: 17949366-02)	1

7.1. Remote Plus Electronics Assy's



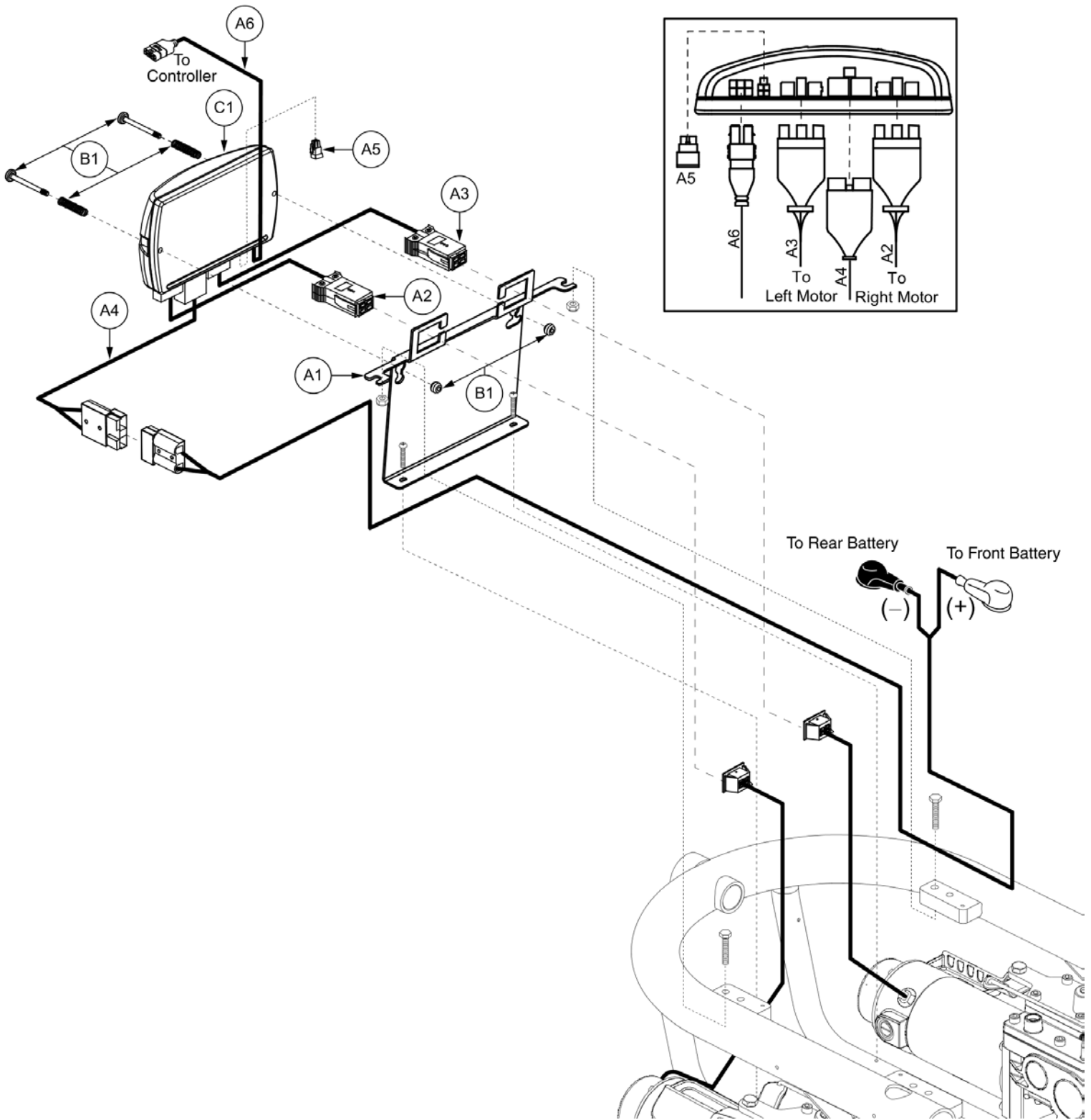
Item	Part No.	Name	Qty
A1 - B1a		ELECTRONIC,ASSY,REMOTE PLUS,QUANTUM610	1
A1 - B1b		ELECTRONIC,ASSY,REMOTE PLUS(PROFILED),QUANTUM610	1
A1	DWR1054C021	POWER INTERFACE MOUNTING BRACKET,REMOTE PLUS,C-1054-021	1
A2	SCRPPH1163	SCREW, PAN HEAD, TYPE H, M4X0.7 X 10, FT, ISO 7045, CL 4.8, BZ	2
A3		SPACER,BLACK,NYLON,4MM ID X 12.7MM OD X 8MM TH,A-1054-011	2
A4		ELECTRONIC,HARNESS,POWER INTERFACE/CHARGER CABLE,REMOTE PLUS, RIGHT,H-1010-051	1
A5	SCRPPH1032	SCREW,PPH-THREAD CUTTING,BLACK ZINC,6-32 X 0.375",TYPE F	4
A6		ELECTRONIC,HARNESS,BATTERY CABLE, REMOTE PLUS,H-1054-007	1
A7		ELECTRONIC,HARNESS,REMOTE PLUS,MOTOR,1113,RIGHT	1
A8		ELECTRONIC,HARNESS,REMOTE PLUS,MOTOR,1113,LEFT	1
A9	HARUSHD2080	ELECTRONIC,HARNESS,3 PIN,RUN PLUG,FEMALE,H-1200-071	1
A10	DWR1054D054	POWER MODULE MOUNTING BRACKET,D-1054-054	1
B1a	ELEASMB4809	CONTROLLER,ASSY,REMOTE PLUS,80 AMP,MWD GLIDE MOTOR PROGRAM,QUANTUM610	1
B1b	ELEASMB4810	CONTROLLER,ASSY,REMOTE PLUS (PROFILED),80 AMP,MWD GLIDE MOTOR PROGRAM,QUANTUM610	1
C1		QUICK RELEASE BUTTON,ASSY,REMOTE PLUS POWER MODULE,JAZZYULTRA	1

7.1. Remote Plus Electronics Assy's



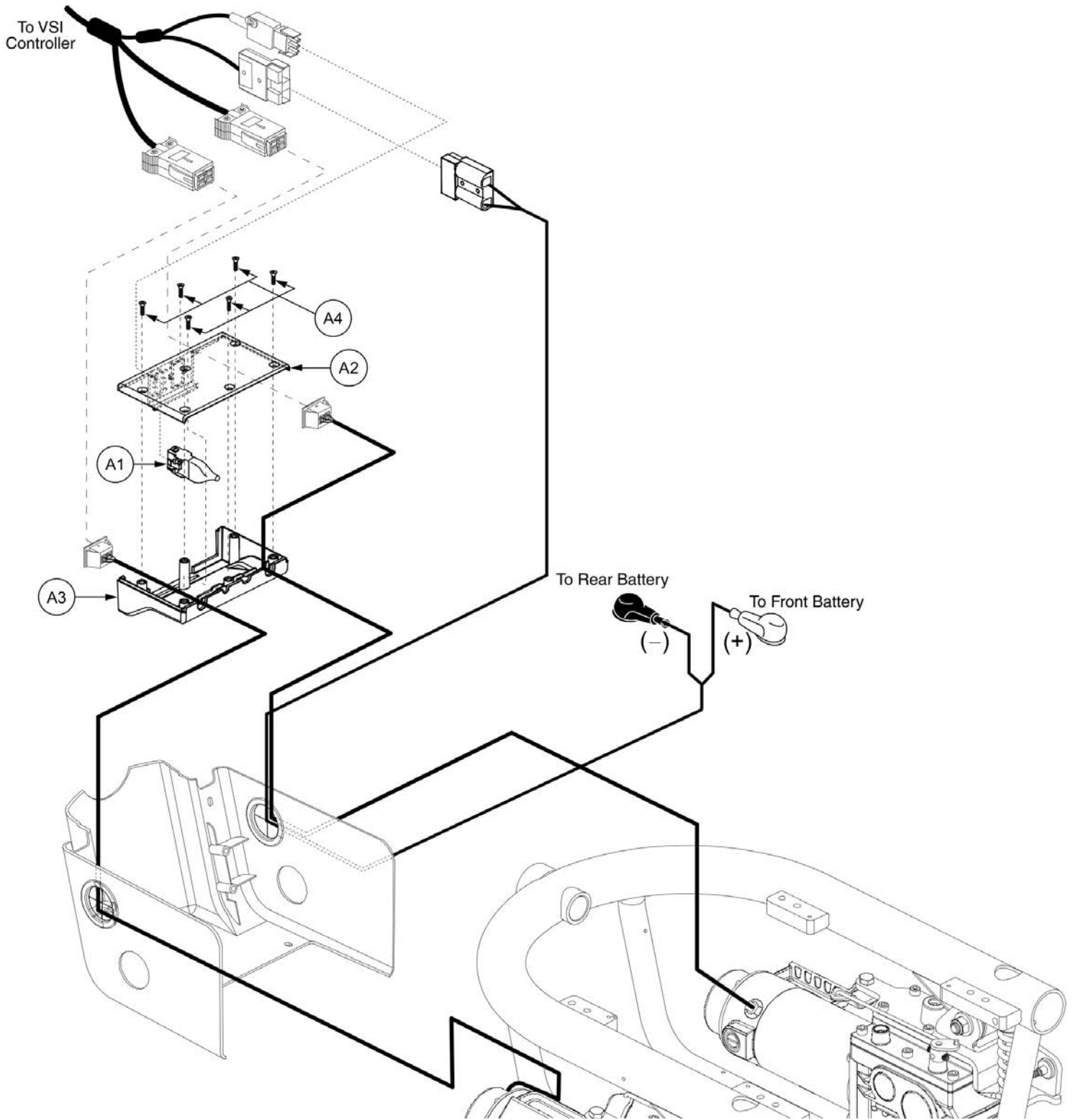
Item	Part No.	Name	Qty
A1 - B1a		ELECTRONIC,ASSY,REMOTE PLUS,QUANTUM610,QUANTUM	1
A1 - B1b		ELECTRONIC,ASSY,REMOTE PLUS(PROFILED),QUANTUM610,QUANTUM	1
A1	DWR1054C021	POWER INTERFACE MOUNTING BRACKET,REMOTE PLUS,C-1054-021	1
A2	SCRPPH1163	SCREW, PAN HEAD, TYPE H, M4X0.7 X 10, FT, ISO 7045, CL 4.8, BZ	2
A3		SPACER,BLACK,NYLON,4MM ID X 12.7MM OD X 8MM TH,A-1054-011	2
A4		ELECTRONIC,HARNESS,POWER INTERFACE/CHARGER CABLE,REMOTE PLUS, RIGHT,H-1010-051	1
A5	SCRPPH1032	SCREW,PPH-THREAD CUTTING,BLACK ZINC,6-32 X 0.375",TYPE F	4
A6		ELECTRONIC,HARNESS,BATTERY CABLE, REMOTE PLUS,H-1054-007	1
A7		ELECTRONIC,HARNESS,REMOTE PLUS,MOTOR,1113,RIGHT	1
A8		ELECTRONIC,HARNESS,REMOTE PLUS,MOTOR,1113,LEFT	1
A9	DWR1116H034	ELECTRONIC,HARNESS,POWER TAKE OFF(PTO)/INHIBIT,VSI,H-1116-034	1
A10	DWR1054D054	POWER MODULE MOUNTING BRACKET,D-1054-054	1
A11	DWR1361H038	ELECTRONIC,HARNESS,RUN PLUG,SURE SEAL,SYNERGY TILT,H-1361-038	1
B1a	ELEASMB4809	CONTROLLER,ASSY,REMOTE PLUS,80 AMP,MWD GLIDE MOTOR PROGRAM,QUANTUM610	1
B1b	ELEASMB4810	CONTROLLER,ASSY,REMOTE PLUS (PROFILED),80 AMP,MWD GLIDE MOTOR PROGRAM,QUANTUM610	1
C1		QUICK RELEASE BUTTON,ASSY,REMOTE PLUS POWER MODULE,JAZZYULTRA	1

7.2. Dynamic Flight Electronics Assy's



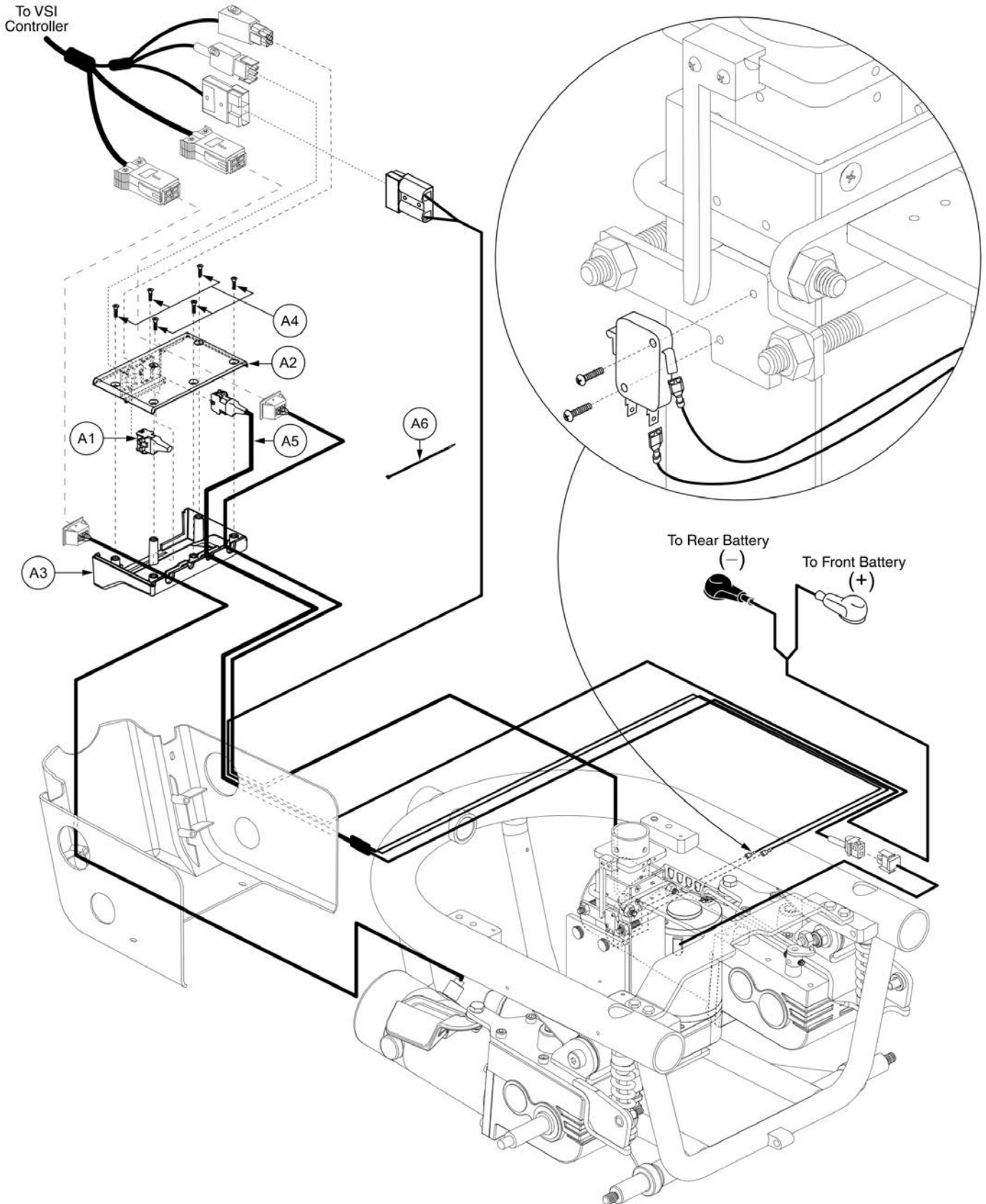
Item	Part No.	Name	Qty
A1 - C1		ELECTRONIC,ASSY,TRAY,DYNAMIC FLIGHT,OFFBOARD CHARGER,QUANTUM610	1
A1	DWR1054D054	POWER MODULE MOUNTING BRACKET,D-1054-054	1
A2	DWR1056H004	ELECTRONIC,HARNESS,MOTOR,M2,DYNAMIC,H-1056-004	1
A3	DWR1056H005	ELECTRONIC,HARNESS,MOTOR,M1,DYNAMIC,H-1056-005	1
A4		ELECTRONIC,HARNESS, BATTERY CABLE,DYNAMIC FLIGHT,H-1056-002	1
A5	DWR1116H017	ELECTRONIC,HARNESS,4 PIN,RUN PLUG,DYNAMIC FLIGHT,H-1116-017	1
A6	DWR1056H007	ELECTRONIC,HARNESS,DYNAMIC FLIGHT BUS CABLE,300MM L,H-1056-007,(DYNAMIC: GSM 80203)	1
B1	HDWASMB1059	QUICK RELEASE BUTTON,ASSY,FLIGHT POWER MODULE,B-1116-054	2
C1		CONTROLLER,ASSY,FLIGHT,75 AMP,MWD GLIDE MOTOR PROGRAM,QUANTUM610	1

7.3. VSI Electronics Assy's



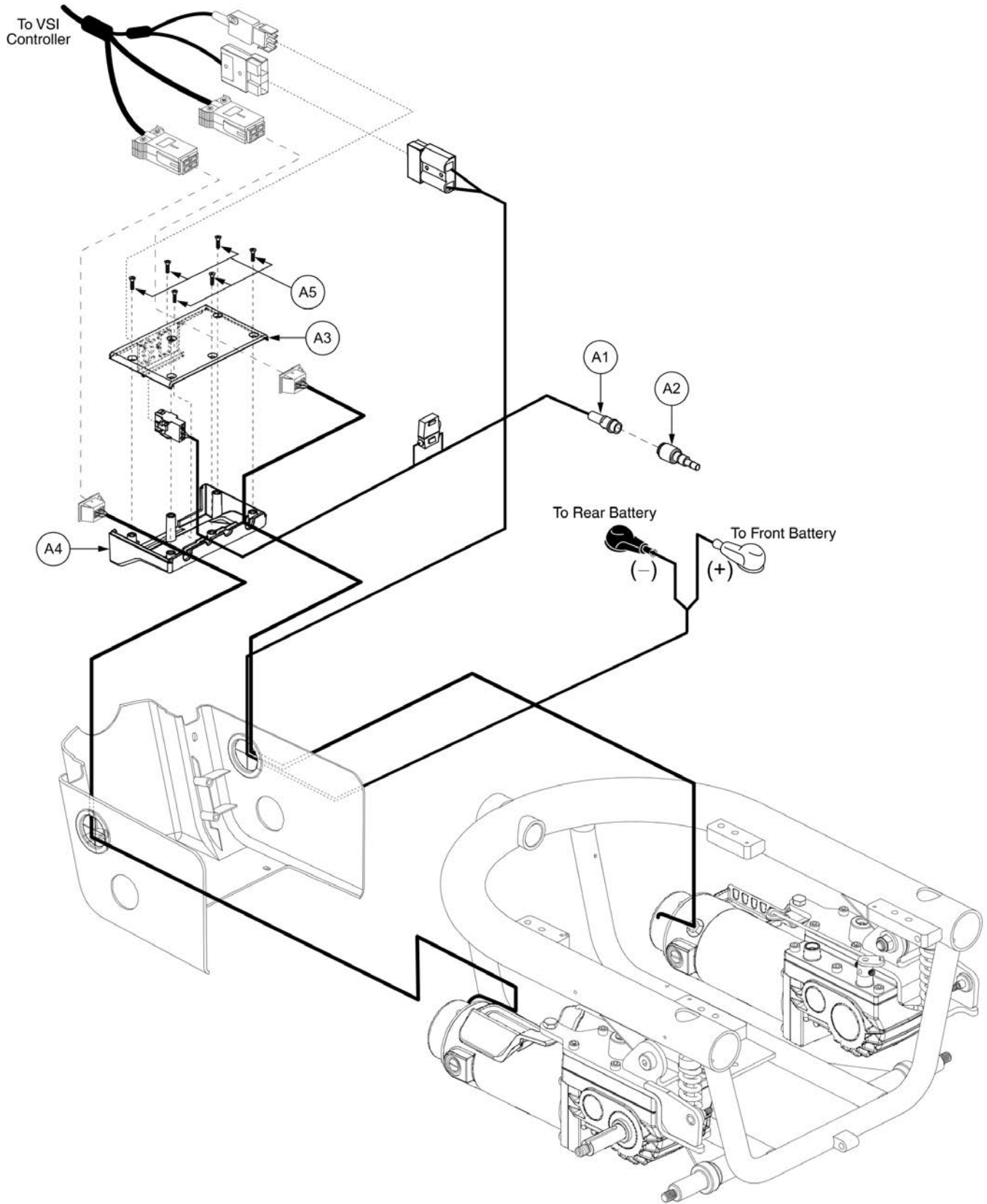
Item	Part No.	Name	Qty
A1 - A4	ELEASMB3592	ELECTRONIC,ASSY,VSI,JET3ULTRA,OFFBOARD CHARGER	1
A1	HARUSHD2080	ELECTRONIC,HARNESS,3 PIN,RUN PLUG,FEMALE,H-1200-071	1
A2	DWR1054C011	COVER,POWER POD,UPPER,C-1054-011	1
A3	DWR1054C013	COVER,POWER POD,LOWER,C-1054-013	1
A4	SCRSHFH1080	SCREW, SHFH,BLACK ZINC,M4-.7 X 8MM	6

7.3. VSI Electronics Assy's



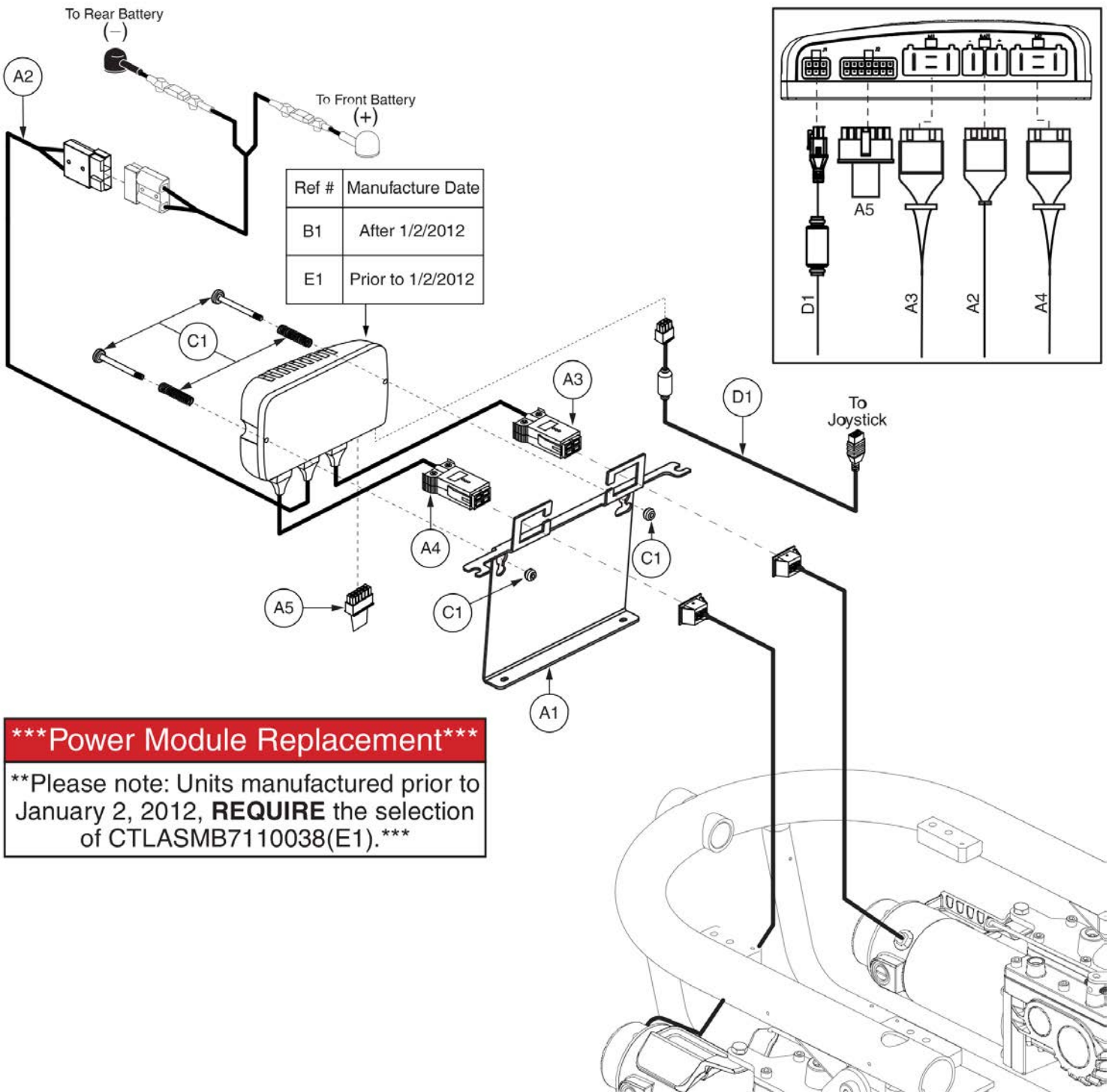
Item	Part No.	Name	Qty
A1 - A6	ELEASMB3868	ELECTRONIC,ASSY,VSI,JET3ULTRA,POWER SEAT THRU JOYSTICK,OFFBOARD CHARGER	1
A1	HARUSHD2080	ELECTRONIC,HARNESS,3 PIN,RUN PLUG,FEMALE,H-1200-071	1
A2	DWR1054C011	COVER,POWER POD,UPPER,C-1054-011	1
A3	DWR1054C013	COVER,POWER POD,LOWER,C-1054-013	1
A4	SCRSHFH1080	SCREW, SHFH,BLACK ZINC,M4-.7 X 8MM	6
A5	DWR1054H009	ELECTRONIC,HARNESS,POWER SEAT,VSI,W/INHIBIT SWITCH CONNECTIONS,H-1054-009	1
A6	PLSTIE1013	CABLE TIE,BLACK,NYLON,8" L,40 LBS TENSILE STRENGTH	1

7.3. VSI Electronics Assy's



Item	Part No.	Name	Qty
A1 - A5	ELEASMB4406	ELECTRONIC,ASSY,VSI,JAZZYULTRA,OFFBOARD CHARGER,QUANTUM	1
A1	DWR1116H034	ELECTRONIC,HARNESS,POWER TAKE OFF(PTO)/INHIBIT,VSI,H-1116-034	1
A2	DWR1361H038	ELECTRONIC,HARNESS,RUN PLUG,SURE SEAL,SYNERGY TILT,H-1361-038	1
A3	DWR1054C011	COVER,POWER POD,UPPER,C-1054-011	1
A4	DWR1054C013	COVER,POWER POD,LOWER,C-1054-013	1
A5	SCRSHFH1080	SCREW, SHFH,BLACK ZINC,M4-.7 X 8MM	6

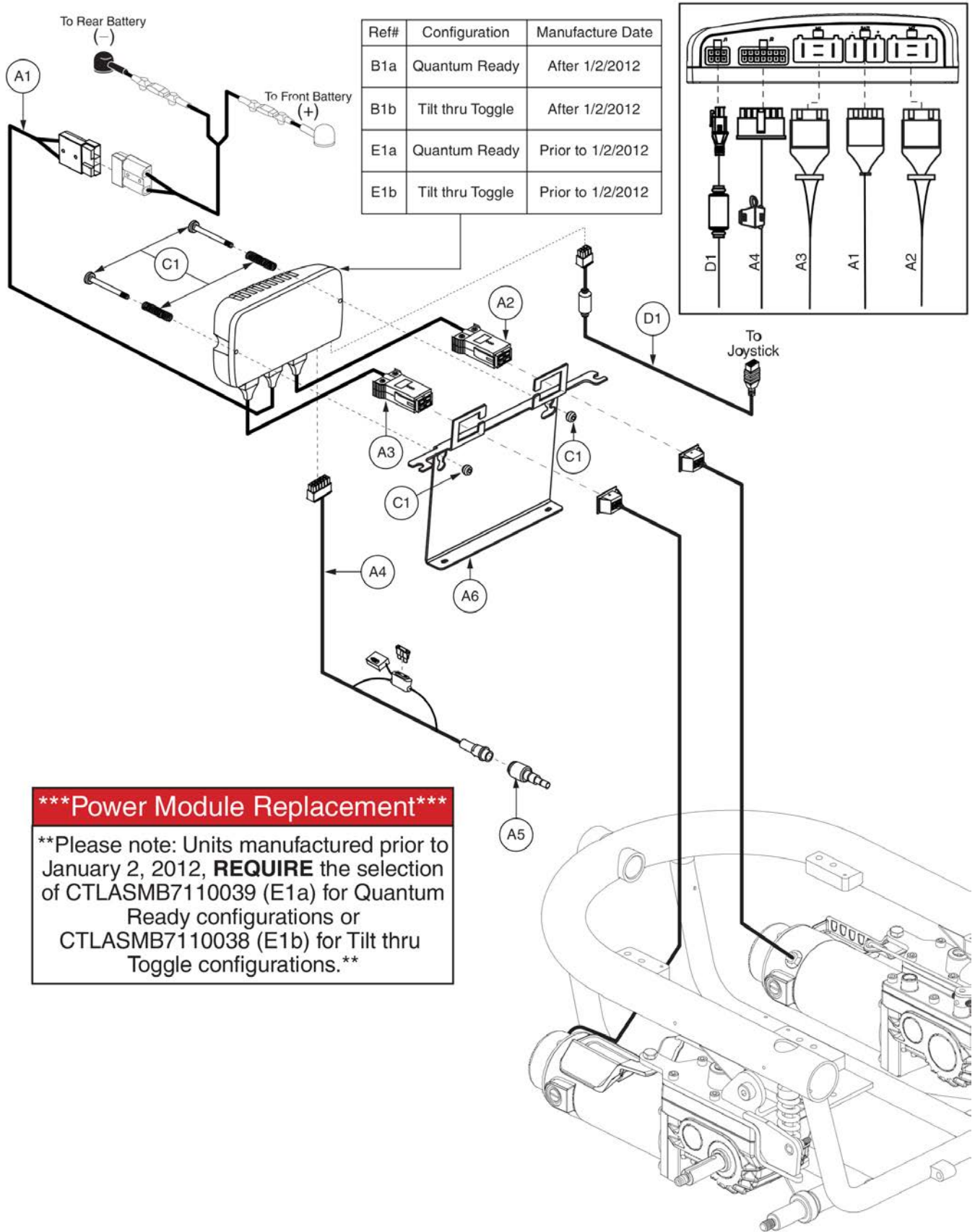
7.4. Q-Logic Electronics Assy's



*****Power Module Replacement*****
****Please note: Units manufactured prior to January 2, 2012, REQUIRE the selection of CTLASMB7110038(E1).*****

Item	Part No.	Name	Qty
A1 - C1		ELECTRONIC,ASSY,Q-LOGIC,QUANTUM610, OFFBOARD CHARGER	1
A1	DWR1054D054	POWER MODULE MOUNTING BRACKET,D-1054-054	1
A2	DWR1056H027	ELECTRONIC,HARNESS,POWER CABLE,QLOGIC,CURTIS,JAZZY600/QUANTUM600,H-1056-027	1
A3	DWR1056H028	ELECTRONIC,HARNESS, MOTOR CONTROLLER,QLOGIC,CURTIS,JAZZY600/QUANTUM600,LEFT,H-1056-028	1
A4	DWR1056H029	ELECTRONIC,HARNESS, MOTOR CONTROLLER,QLOGIC,CURTIS,JAZZY600/QUANTUM600,RIGHT,H-1056-029	1
A5	DWR1265H027	ELECTRONIC,HARNESS,RUN PLUG,Q-LOGIC	1
B1	ELEASMB5214	CONTROLLER,Q-LOGIC,CURTIS,ASSY,70 AMP,MWD GLIDE MOTOR PROGRAM,QUANTUM610	1
C1	HDWASMB1059	QUICK RELEASE BUTTON,ASSY,FLIGHT POWER MODULE,B-1116-054	2
D1	DWR1111H065	ELECTRONIC,HARNESS,BUS EXTENSION CABLE,CURTIS,0.410 METER,MALE/FEMALE,H-1111-065,(CURTIS: 17881303)	1
E1	CTLASMB7110038	CONTROLLER,Q-LOGIC (FW 2.73),CURTIS,ASSY,70 AMP,MWD GLIDE MOTOR PROGRAM,QUANTUM610	1

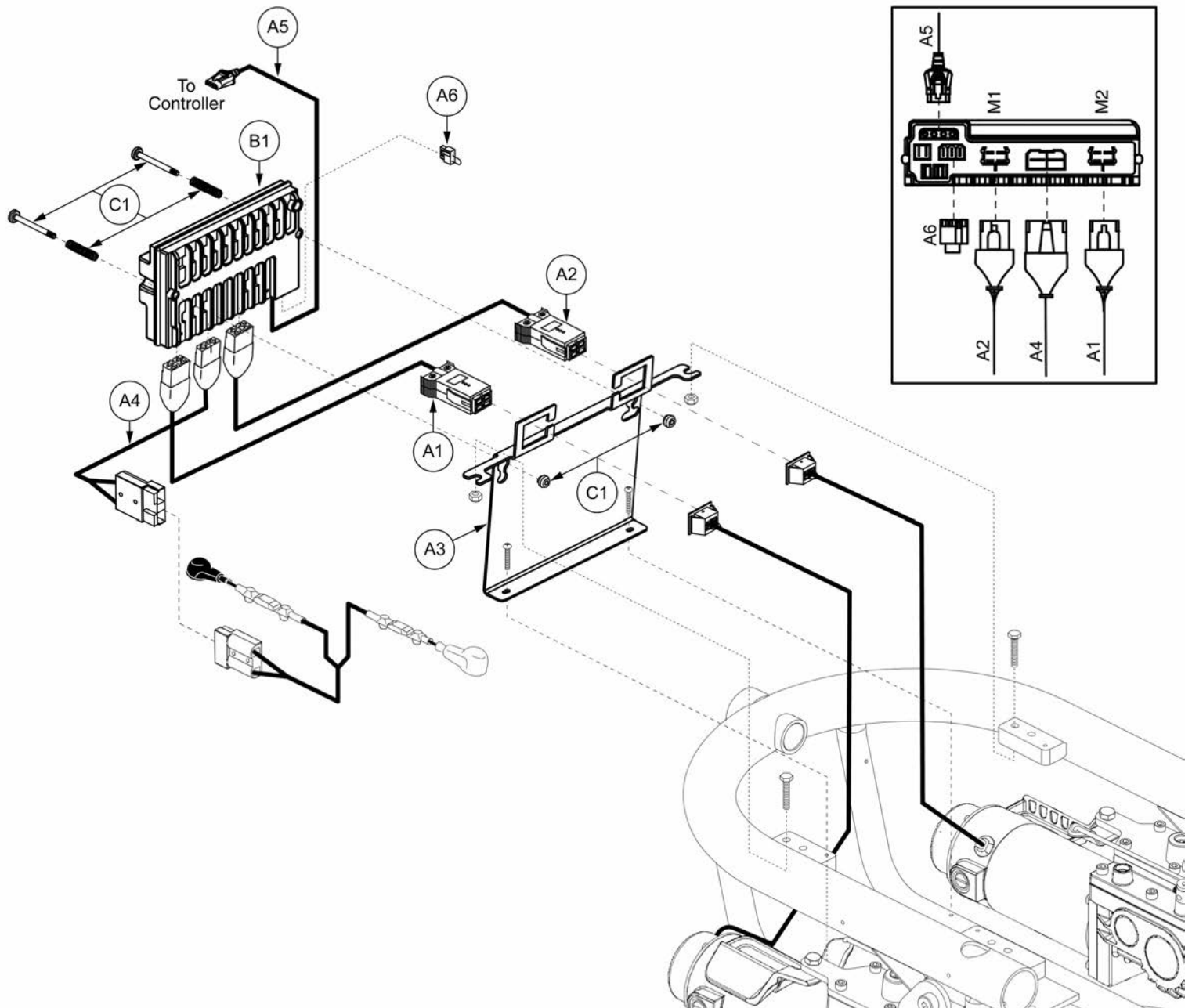
7.4. Q-Logic Electronics Assy's



*****Power Module Replacement*****
 Please note: Units manufactured prior to January 2, 2012, **REQUIRE the selection of CTLASMB7110039 (E1a) for Quantum Ready configurations or CTLASMB7110038 (E1b) for Tilt thru Toggle configurations.**

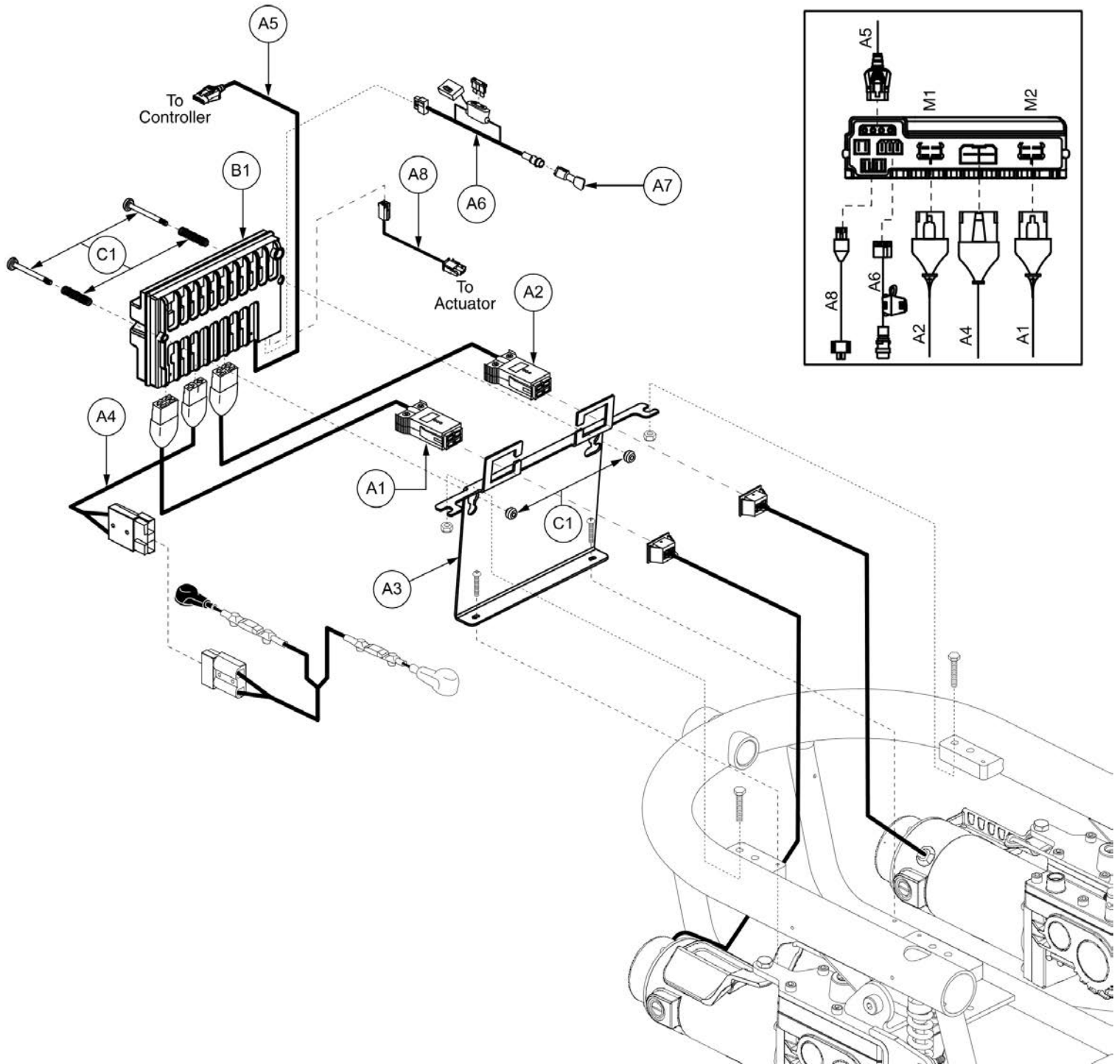
Item	Part No.	Name	Qty
A1 - B1a		ELECTRONIC,ASSY,Q-LOGIC,QUANTUM610,QUANTUM, OFFBOARD	1
A1 - B1b		ELECTRONIC,ASSY,Q-LOGIC,QUANTUM610,TILT THRU TOGGLE, OFFBOARD	1
A1	DWR1056H027	ELECTRONIC,HARNESS,POWER CABLE,QLOGIC,CURTIS,JAZZY600/QUANTUM600,H-1056-027	1
A2	DWR1056H028	ELECTRONIC,HARNESS, MOTOR CONTROLLER,QLOGIC,CURTIS,JAZZY600/QUANTUM600,LEFT,H-1056-028	1
A3	DWR1056H029	ELECTRONIC,HARNESS, MOTOR CONTROLLER,QLOGIC,CURTIS,JAZZY600/QUANTUM600,RIGHT,H-1056-029	1
A4	DWR1265H021	ELECTRONIC,HARNESS,POWER TAKE OFF(PTO)/INHIBIT,CURTIS,H-1265-021	1
A5	DWR1361H038	ELECTRONIC,HARNESS,RUN PLUG,SURE SEAL,SYNERGY TILT,H-1361-038	1
A6	DWR1054D054	POWER MODULE MOUNTING BRACKET,D-1054-054	1
B1a	ELEASMB5492	CONTROLLER,Q-LOGIC,CURTIS,ASSY,70 AMP,MWD GLIDE MOTOR PROGRAM,QUANTUM610,QUANTUM	1
B1b	ELEASMB5214	CONTROLLER,Q-LOGIC,CURTIS,ASSY,70 AMP,MWD GLIDE MOTOR PROGRAM,QUANTUM610	1
C1	HDWASMB1059	QUICK RELEASE BUTTON,ASSY,FLIGHT POWER MODULE,B-1116-054	2
D1	DWR1111H065	ELECTRONIC,HARNESS,BUS EXTENSION CABLE,CURTIS,0.410 METER,MALE/FEMALE,H-1111-065,(CURTIS: 17881303)	1
E1a	CTLASMB7110039	CONTROLLER,Q-LOGIC (FW 2.73),CURTIS,ASSY,70 AMP,MWD GLIDE MOTOR PROGRAM,QUANTUM610,QUANTUM	1
E1b	CTLASMB7110038	CONTROLLER,Q-LOGIC (FW 2.73),CURTIS,ASSY,70 AMP,MWD GLIDE MOTOR PROGRAM,QUANTUM610	1

7.5. VR2 Electronics Assy's



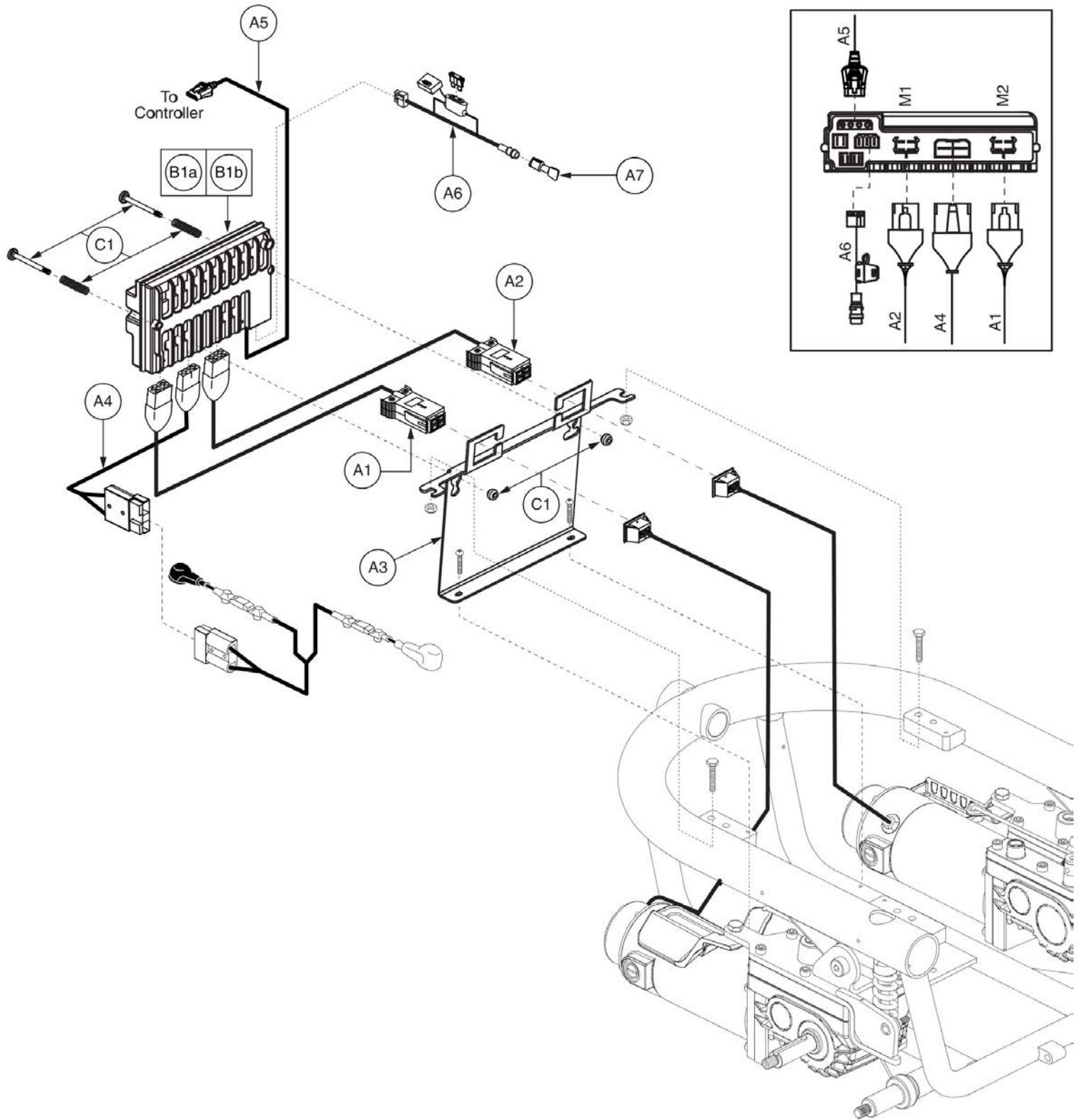
Item	Part No.	Name	Qty
A1 - B1		ELECTRONIC,ASSY,VR2,QUANTUM610,OFFBOARD	1
A1	DWR1056H025	ELECTRONIC,HARNESS,MOTOR,RIGHT,VR2/GC,H-1056-025	1
A2	DWR1056H024	ELECTRONIC,HARNESS,MOTOR,LEFT,VR2/GC,H-1056-024	1
A3	DWR1054D054	POWER MODULE MOUNTING BRACKET,D-1054-054	1
A4	DWR1056H023	ELECTRONIC,HARNESS,POWER CABLE,VR2,JET3ULTRA/600 SERIES,H-1056-023	1
A5	DWR1010H128	ELECTRONIC,HARNESS,VR2 EXTENSION CABLE,H-1010-128,(P&G: SA77974)	1
A6	DWR1116H054	ELECTRONIC,HARNESS,RUN PLUG,3 PIN,VR2,H-1116-054	1
B1	ELEASMB6251	CONTROLLER,VR2,ASSY,70 AMP,MWD GLIDE MOTOR PROGRAM,QUANTUM610	1
C1		QUICK RELEASE BUTTON,ASSY,REMOTE PLUS POWER MODULE,JAZZYULTRA	1

7.5. VR2 Electronics Assy's



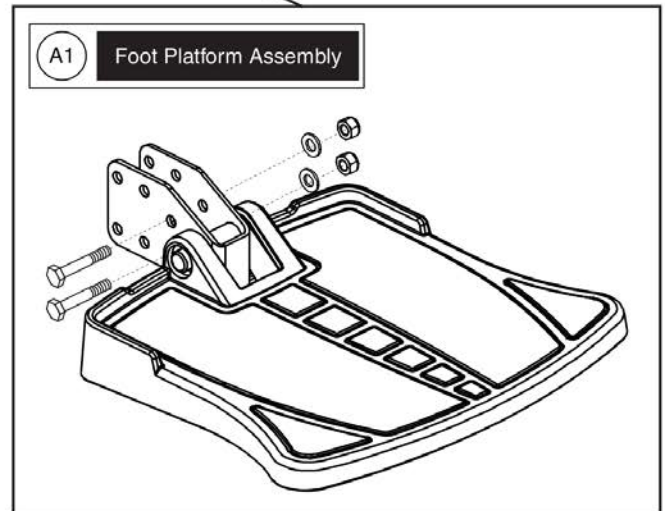
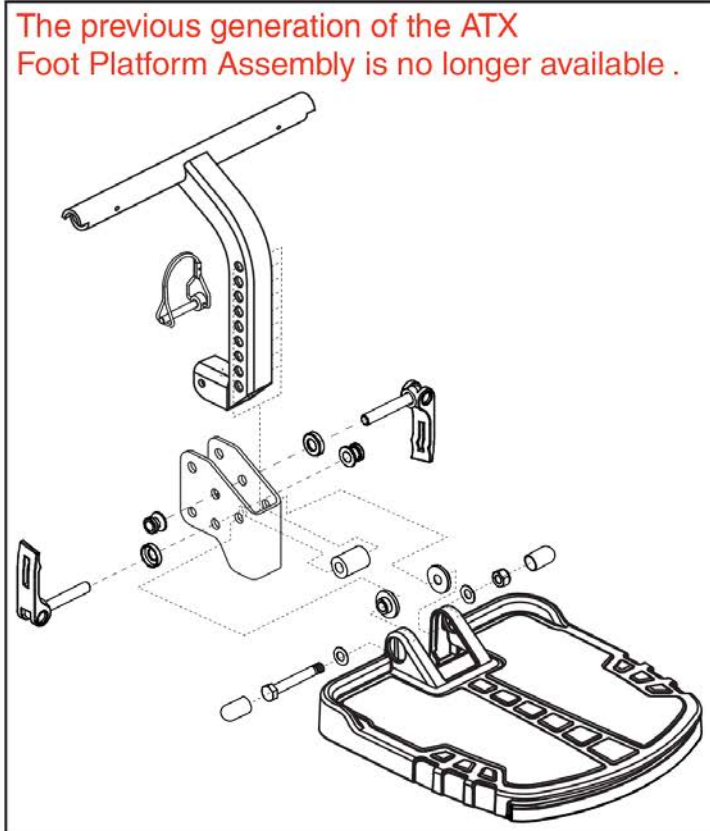
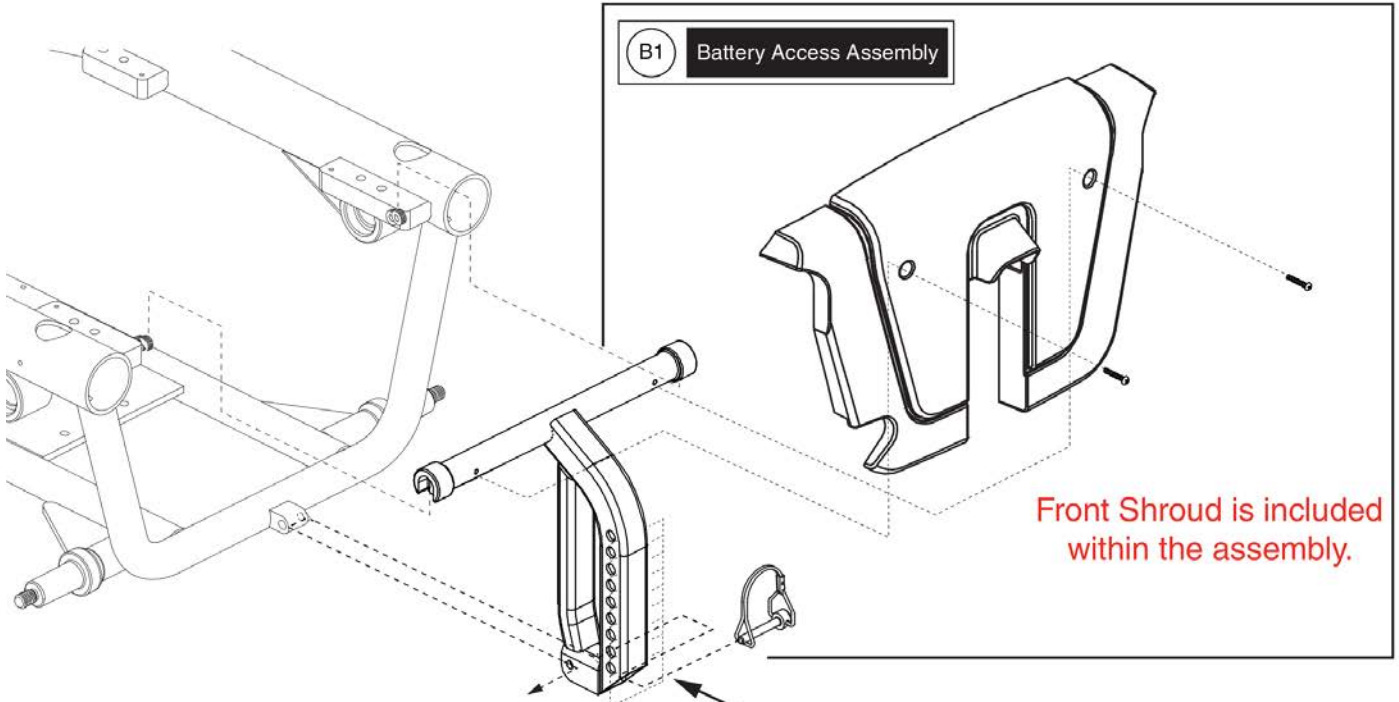
Item	Part No.	Name	Qty
A1 - B1		ELECTRONIC,ASSY,VR2,QUANTUM610,TILT THRU JOYSTICK,OFFBOARD	1
A1	DWR1056H025	ELECTRONIC,HARNESS,MOTOR,RIGHT,VR2/GC,H-1056-025	1
A2	DWR1056H024	ELECTRONIC,HARNESS,MOTOR,LEFT,VR2/GC,H-1056-024	1
A3	DWR1054D054	POWER MODULE MOUNTING BRACKET,D-1054-054	1
A4	DWR1056H023	ELECTRONIC,HARNESS,POWER CABLE,VR2,JET3ULTRA/600 SERIES,H-1056-023	1
A5	DWR1010H128	ELECTRONIC,HARNESS,VR2 EXTENSION CABLE,H-1010-128,(P&G: SA77974)	1
A6	DWR1265H030	ELECTRONIC,HARNESS,POWER TAKE OFF(PTO)/INHIBIT,VR2,H-1265-030	1
A7	DWR1361H038	ELECTRONIC,HARNESS,RUN PLUG,SURE SEAL,SYNERGY TILT,H-1361-038	1
A8	DWR1361H076	ELECTRONIC,HARNESS,TRU-BALANCE 2 POWER TILT/RECLINE ACTUATOR,VR2,H-1361-076	1
B1	ELEASMB6252	CONTROLLER,VR2,ASSY,70 AMP,1 ACTUATOR,MWD GLIDE MOTOR PROGRAM,QUANTUM610	1
C1		QUICK RELEASE BUTTON,ASSY,REMOTE PLUS POWER MODULE,JAZZYULTRA	1

7.5. VR2 Electronics Assy's



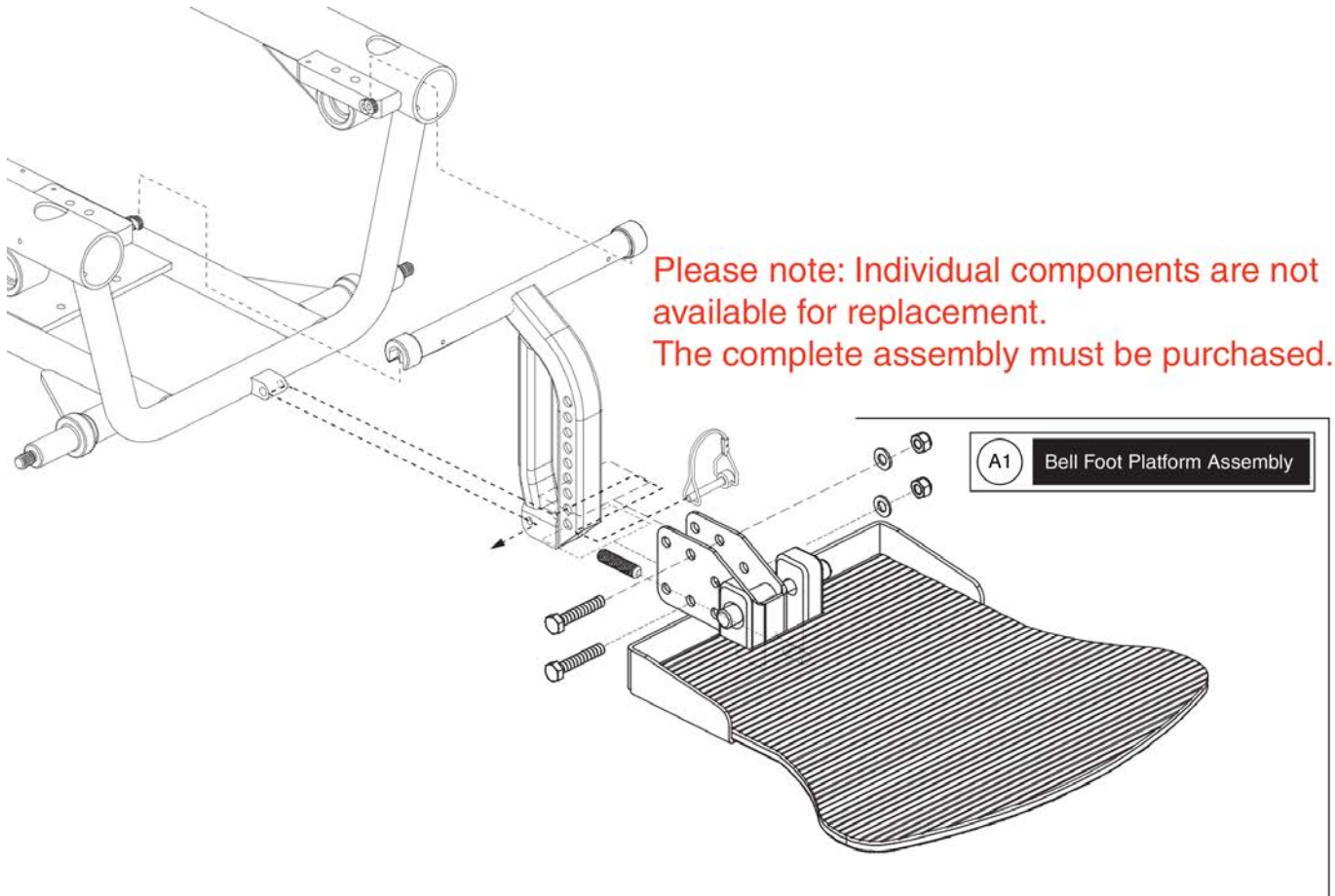
Item	Part No.	Name	Qty
A1 - B1a		ELECTRONIC,ASSY,VR2,QUANTUM610,TILT THRU TOGGLE,OFFBOARD	1
A1 - B1b		ELECTRONIC,ASSY,VR2,QUANTUM610,FUTURE ACTUATOR EXPANSION,OFFBOARD	1
A1	DWR1056H025	ELECTRONIC,HARNESS,MOTOR,RIGHT,VR2/GC,H-1056-025	1
A2	DWR1056H024	ELECTRONIC,HARNESS,MOTOR,LEFT,VR2/GC,H-1056-024	1
A3	DWR1054D054	POWER MODULE MOUNTING BRACKET,D-1054-054	1
A4	DWR1056H023	ELECTRONIC,HARNESS,POWER CABLE,VR2,JET3ULTRA/600 SERIES,H-1056-023	1
A5	DWR1010H128	ELECTRONIC,HARNESS,VR2 EXTENSION CABLE,H-1010-128,(P&G: SA77974)	1
A6	DWR1265H030	ELECTRONIC,HARNESS,POWER TAKE OFF(PTO)/INHIBIT,VR2,H-1265-030	1
A7	DWR1361H038	ELECTRONIC,HARNESS,RUN PLUG,SURE SEAL,SYNERGY TILT,H-1361-038	1
B1a	ELEASMB6251	CONTROLLER,VR2,ASSY,70 AMP,MWD GLIDE MOTOR PROGRAM,QUANTUM610	1
B1b	ELEASMB6252	CONTROLLER,VR2,ASSY,70 AMP,1 ACTUATOR,MWD GLIDE MOTOR PROGRAM,QUANTUM610	1
C1		QUICK RELEASE BUTTON,ASSY,REMOTE PLUS POWER MODULE,JAZZYULTRA	1

8. Foot Platforms



Item	Part No.	Name	Qty
A1	FRMASMB16077	FOOT PLATFORM,ASSY,W/MOUNTING BRACKET,Q6 EDGE,D-1201-067	1
B1	MEC138920	FRAME,ASSY,BATTERY ACCESS DOOR W/FRONT SHROUD,J6,STANDARD W/DECAL	1
C1	DWR1234L004	DECAL,ICON,300LBS/135 KG,MAXIMUM WEIGHT CAPACITY,L-1234-004	1

8. Foot Platforms

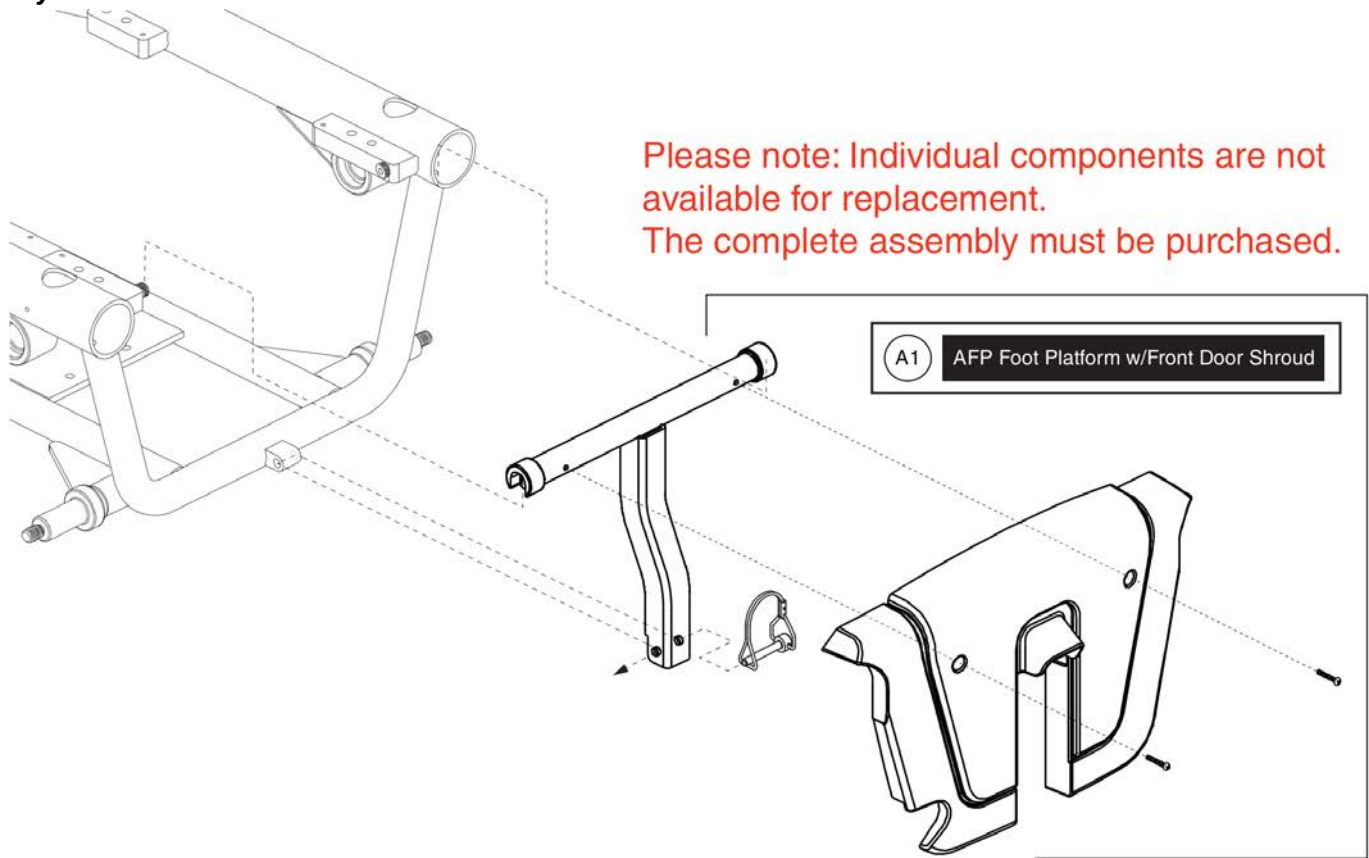


Bell Foot Platform, J/Q 610



Item	Part No.	Name	Qty
A1	RIGASMB7120041	FOOT PLATFORM,ASSY,BELL,W/MOUNTING BRACKET,RIGASMB7120041	1

9. Battery Access Brackets

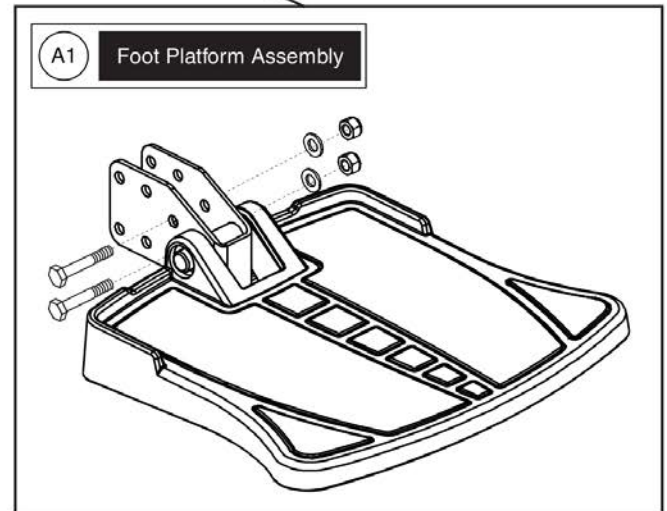
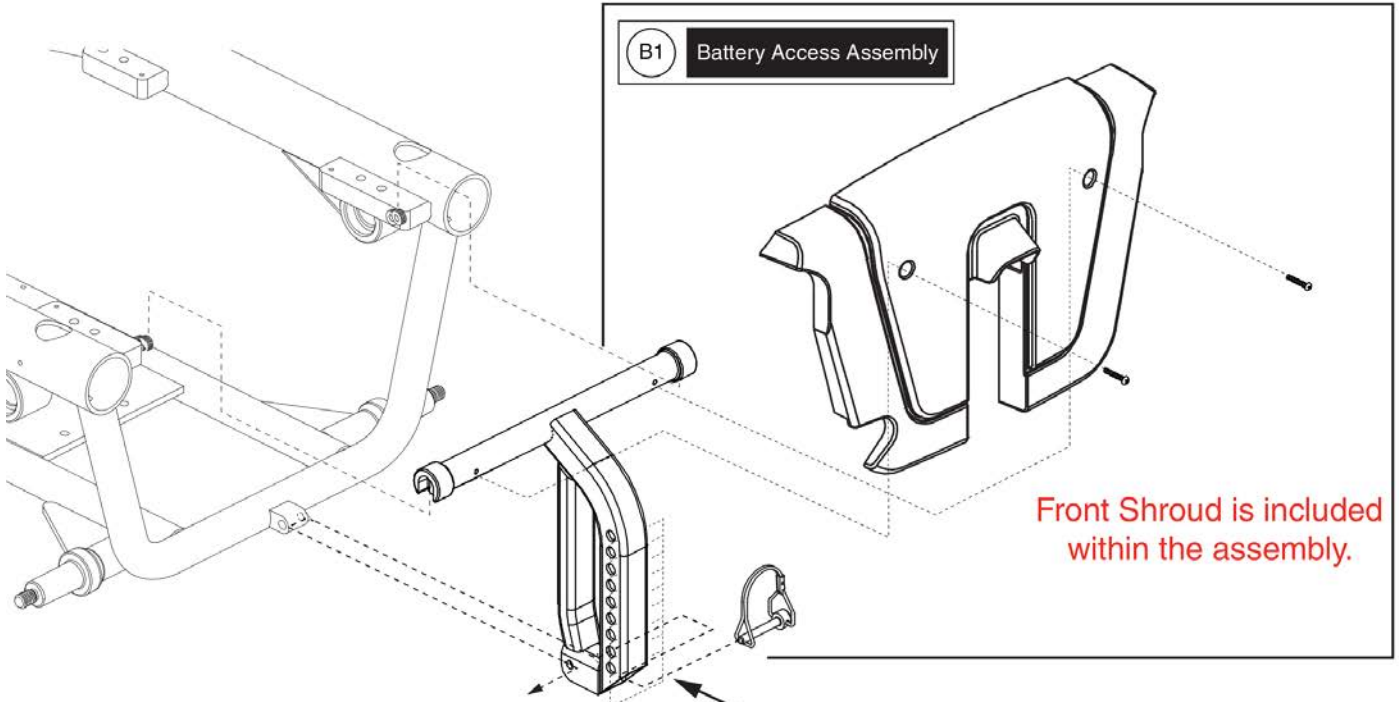


Battery Access Door for AFP, J/Q 610



Item	Part No.	Name	Qty
A1	MEC142685	FRAME,ASSY,BATTERY ACCESS DOOR W/FRONT SHROUD,J6,FLAT W/DECAL	1
B1	DWR1234L004	DECAL,ICON,300LBS/135 KG,MAXIMUM WEIGHT CAPACITY,L-1234-004	1

9. Battery Access Brackets





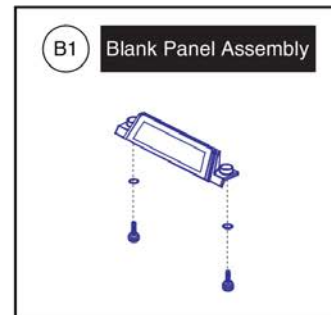
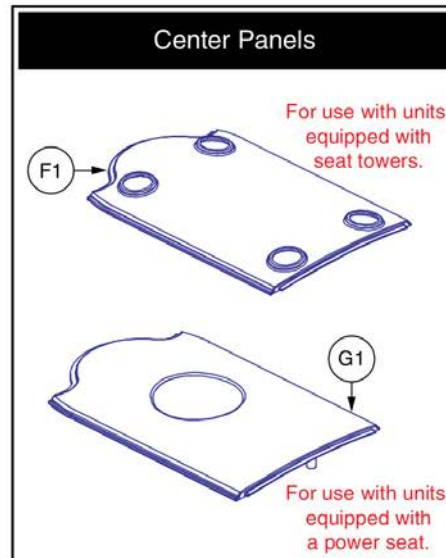
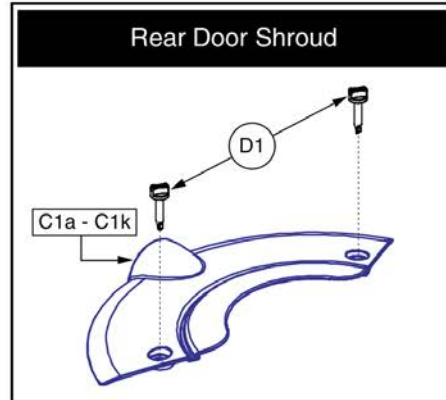
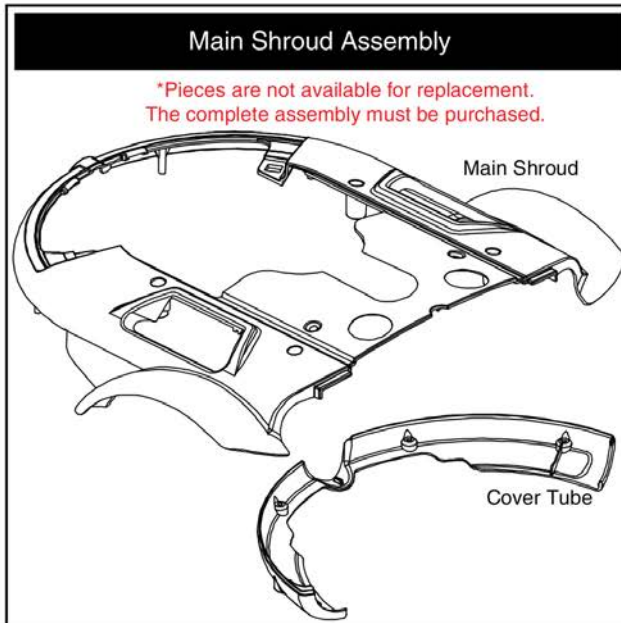
Item	Part No.	Name	Qty
A1	FRMASMB16077	FOOT PLATFORM,ASSY,W/MOUNTING BRACKET,Q6 EDGE,D-1201-067	1
B1	MEC138920	FRAME,ASSY,BATTERY ACCESS DOOR W/FRONT SHROUD,J6,STANDARD W/DECAL	1
C1	DWR1234L004	DECAL,ICON,300LBS/135 KG,MAXIMUM WEIGHT CAPACITY,L-1234-004	1

10. Shroud Assy's

Complete Shroud Assy's		
Painted Shroud Colors	Part Number	Ref #
Black	SHDASMB4632	A1a - E1a
Blue	SHDASMB4631	A1b - E1b
Red	SHDASMB4630	A1c - E1c
Orange	SHDASMB4634	A1d - E1d
Pearl Pink	SHDASMB4958	A1e - E1e

The listed colors below are limited in quantities and will soon be discontinued.

Painted Shroud Colors	Part Number	Ref #
Champagne	SHDASMB4633	A1f - E1f
Solar Yellow	SHDASMB4898	A1g - E1g
Cardinal Red	SHDASMB4910	A1h - E1h
Violet	SHDASMB4922	A1i - E1i
Mariner Blue	SHDASMB4934	A1j - E1j
Spring Green	SHDASMB4946	A1k - E1k



Shroud Assy's - Off-board Charger, Q610

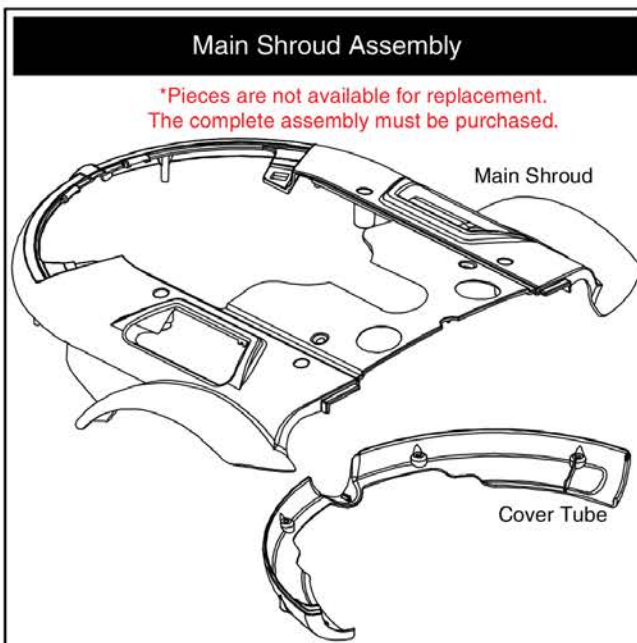
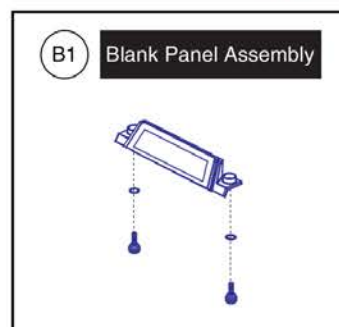
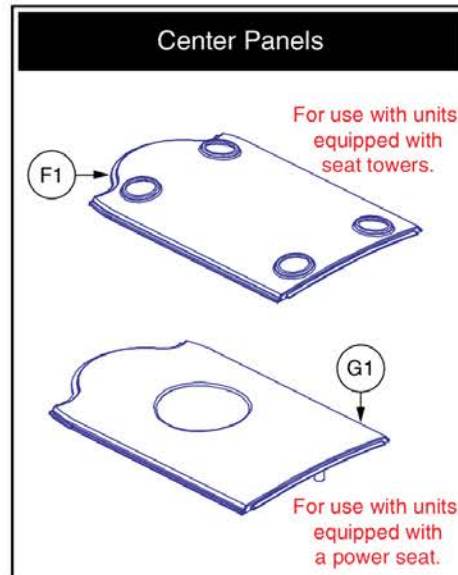
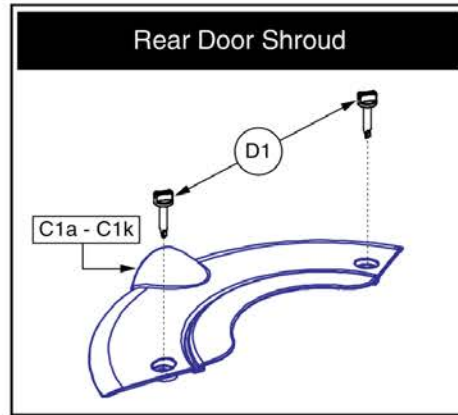


Item	Part No.	Name	Qty
A1a - E1a	SHDASMB4632	SHROUD,ASSY,BACK IN BLACK,QUANTUM610/J6	1
A1b - E1b	SHDASMB4631	SHROUD,ASSY,VIPER BLUE,OFFBOARD CHARGER,QUANTUM610/J6	1
A1c - E1c	SHDASMB4630	SHROUD,ASSY,RED CORVETTE/CANDY APPLE RED,QUANTUM610/J6	1
A1d - E1d	SHDASMB4634	SHROUD,ASSY,ORANGE,OFFBOARD CHARGER,QUANTUM610	1
A1e - E1e	SHDASMB4958	SHROUD,ASSY,PEARL PINK,OFFBOARD CHARGER,QUANTUM610	1
A1f - E1f	SHDASMB4633	SHROUD,ASSY,CHAMPAGNE,OFFBOARD CHARGER,QUANTUM610	1
A1g - E1g	SHDASMB4898	SHROUD,ASSY,SOLAR YELLOW,OFFBOARD CHARGER,QUANTUM610	1
A1h - E1h	SHDASMB4910	SHROUD,ASSY,CARDINAL RED,OFFBOARD CHARGER,QUANTUM610	1
A1i - E1i	SHDASMB4922	SHROUD,ASSY,VIOLET,OFFBOARD CHARGER,QUANTUM610	1
A1j - E1j	SHDASMB4934	SHROUD,ASSY,MARINER BLUE,OFFBOARD CHARGER,QUANTUM610	1
A1k - E1k	SHDASMB4946	SHROUD,ASSY,SPRING GREEN,OFFBOARD CHARGER,QUANTUM610	1
B1	ELEASMB4269	ELECTRONIC,ASSY,BLANK PANEL	2
C1a	SHDASMB4023	SHROUD,ASSY,BACK IN BLACK,REAR DOOR,ULTRA/Q610/J6	1
C1b	SHDASMB3917	SHROUD,ASSY,VIPER BLUE,REAR DOOR,ULTRA/Q610/J6	1
C1c	SHDASMB3876	SHROUD,ASSY,RED CORVETTE/CANDY APPLE RED,REAR DOOR,ULTRA/Q610/J6	1
C1d	SHDASMB4615	SHROUD,ASSY,ORANGE,REAR DOOR,QUANTUM610	1
C1e	SHDASMB4959	SHROUD,ASSY,PEARL PINK,REAR DOOR,QUANTUM610	1
C1f	SHDASMB4024	SHROUD,ASSY,CHAMPAGNE,REAR DOOR,ULTRA	1
C1g	SHDASMB4899	SHROUD,ASSY,SOLAR YELLOW,REAR DOOR,QUANTUM610	1
C1h	SHDASMB4911	SHROUD,ASSY,CARDINAL RED,REAR DOOR,QUANTUM610	1
C1i	SHDASMB4923	SHROUD,ASSY,VIOLET,REAR DOOR,QUANTUM610	1
C1j	SHDASMB4935	SHROUD,ASSY,MARINER BLUE,REAR DOOR,QUANTUM610	1
C1k	SHDASMB4947	SHROUD,ASSY,SPRING GREEN,REAR DOOR,QUANTUM610	1
D1	CLISTL1013	CLIP,STUD,1"L,STRAIGHT	2
E1a	SHDASMB4494	SHROUD,ASSY,BLACK,CASTER ARM COVER,C-1054-059	2
E1b	SHDASMB4493	SHROUD,ASSY,BLUE,CASTER ARM COVER,C-1054-059	2
E1c	SHDASMB4492	SHROUD,ASSY,RED,CASTER ARM COVER,C-1054-059	2
E1d	SHDASMB4496	SHROUD,ASSY,ORANGE,CASTER ARM COVER,C-1054-059	2
E1e	SHDASMB4960	SHROUD,ASSY,PEARL PINK,CASTER ARM COVER,C-1054-059	2
E1f	SHDASMB4024	SHROUD,ASSY,CHAMPAGNE,REAR DOOR,ULTRA	1
E1g	SHDASMB4900	SHROUD,ASSY,SOLAR YELLOW,CASTER ARM COVER,C-1054-059	2
E1h	SHDASMB4912	SHROUD,ASSY,CARDINAL RED,CASTER ARM COVER,C-1054-059	2
E1i	SHDASMB4924	SHROUD,ASSY,VIOLET,CASTER ARM COVER,C-1054-059	2
E1j	SHDASMB4936	SHROUD,ASSY,MARINER BLUE,CASTER ARM COVER,C-1054-059	2
E1k	SHDASMB4948	SHROUD,ASSY,SPRING GREEN,CASTER ARM COVER,C-1054-059	2
F1	SHDASMB4072	SHROUD,ASSY,CENTER,BLACK,ULTRA	1

Complete Shroud Assy's		
Painted Shroud Colors	Part Number	Ref #
Black	SHDASMB4632	A1a - E1a
Blue	SHDASMB4631	A1b - E1b
Red	SHDASMB4630	A1c - E1c
Orange	SHDASMB4634	A1d - E1d
Pearl Pink	SHDASMB4958	A1e - E1e

The listed colors below are limited in quantities and will soon be discontinued.

Painted Shroud Colors	Part Number	Ref #
Champagne	SHDASMB4633	A1f - E1f
Solar Yellow	SHDASMB4898	A1g - E1g
Cardinal Red	SHDASMB4910	A1h - E1h
Violet	SHDASMB4922	A1i - E1i
Mariner Blue	SHDASMB4934	A1j - E1j
Spring Green	SHDASMB4946	A1k - E1k



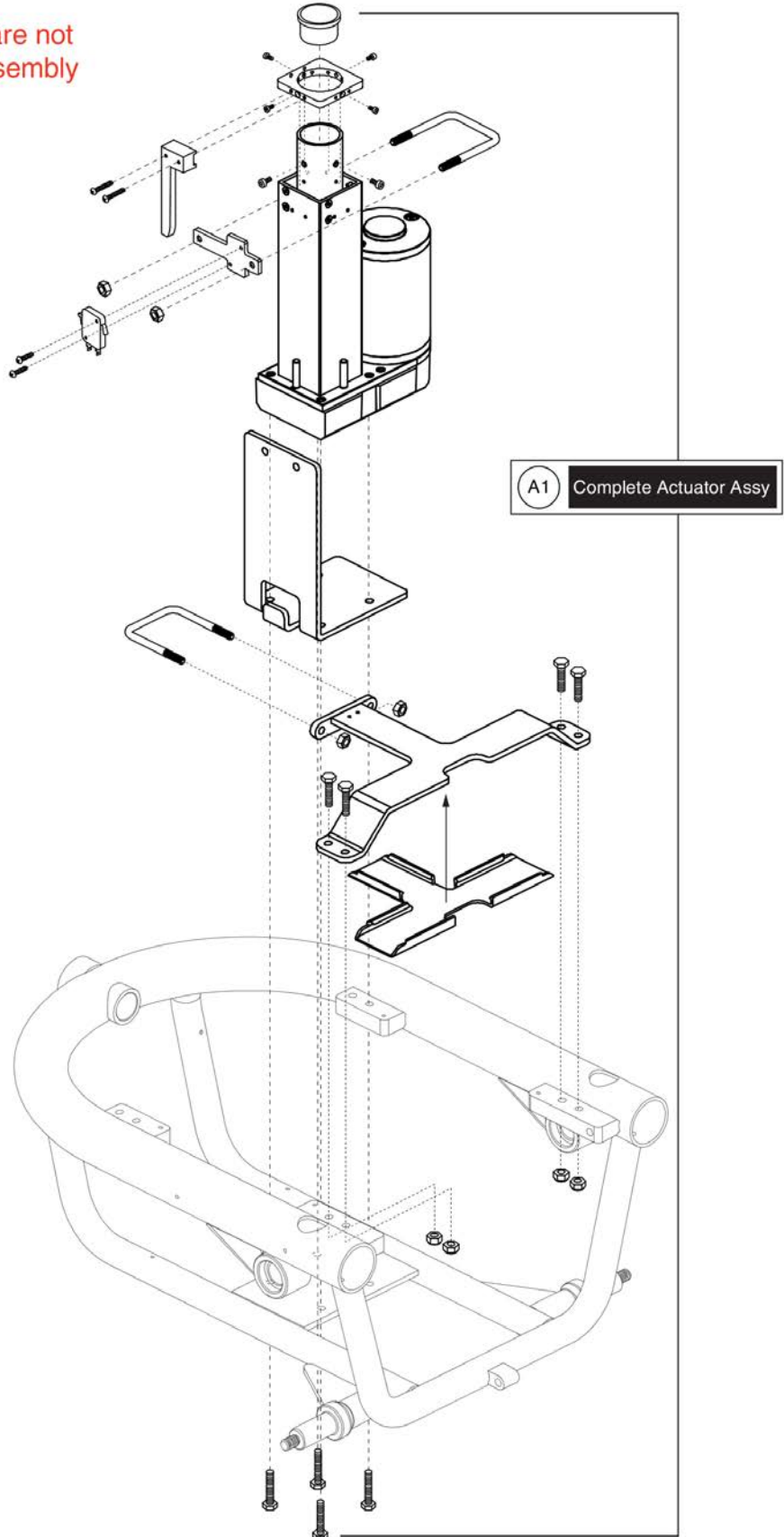
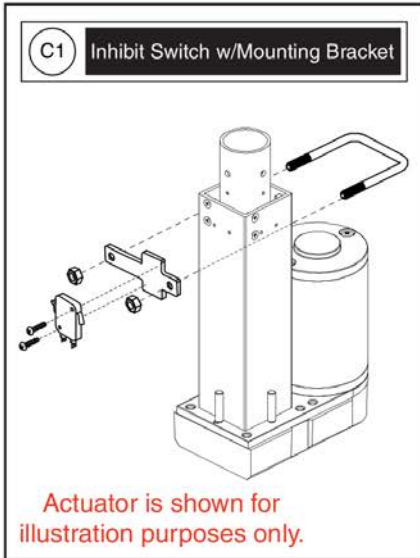
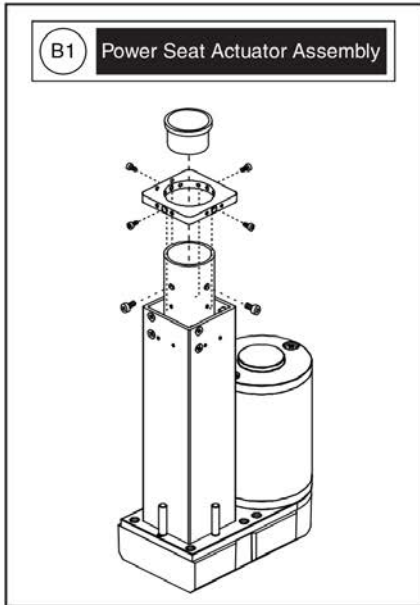
Shroud Assy's - Off-board Charger, Q610



Item	Part No.	Name	Qty
G1	SHDASMB3983	SHROUD,ASSY,CENTER,BLACK,POWER SEAT,ULTRA	1

11. Power Seat Actuator Assy

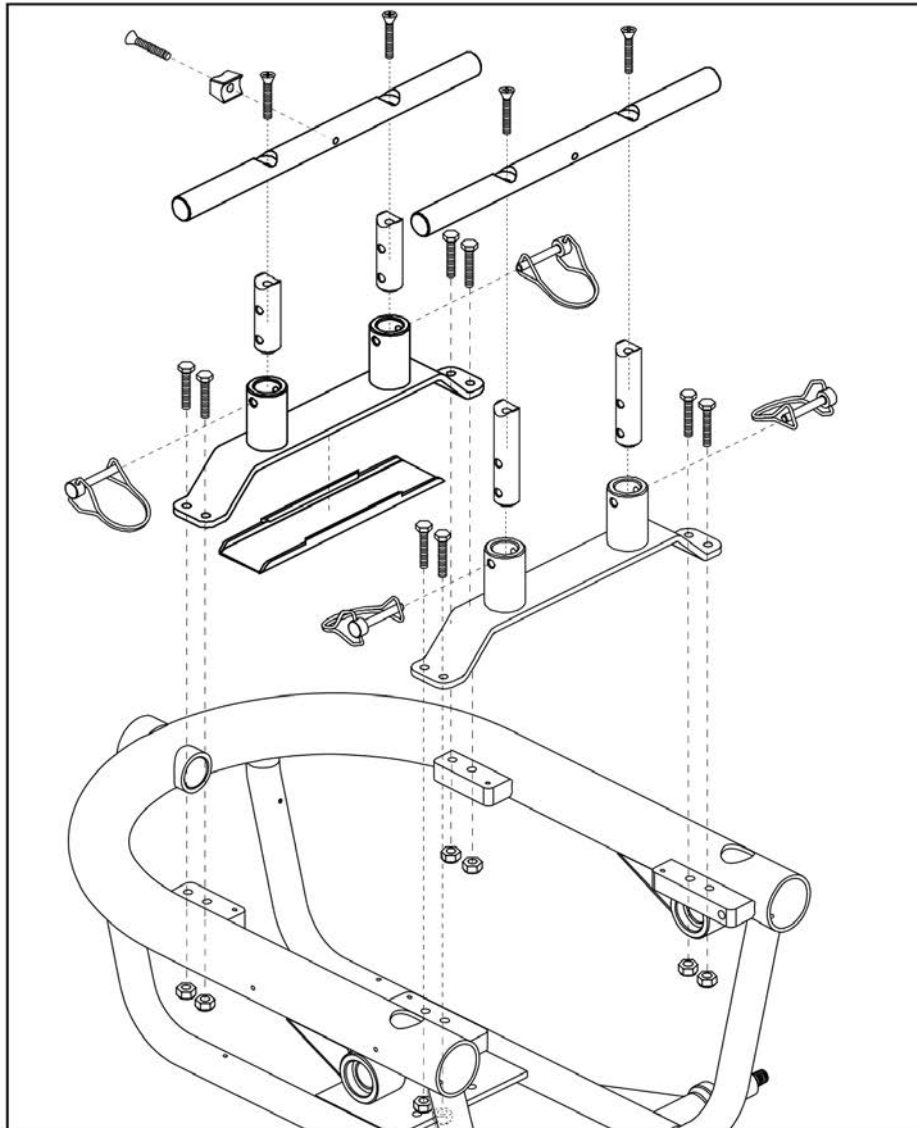
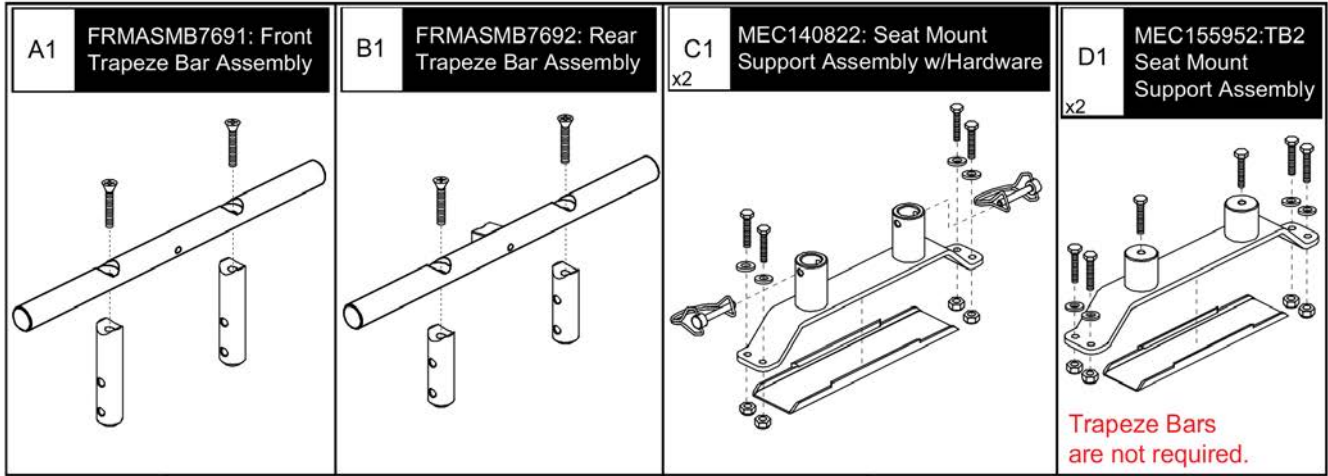
Please note: Individual parts are not available for purchase. The assembly must be purchased.





Item	Part No.	Name	Qty
A1	FRMASMB6369	ACTUATOR,ASSY,POWER SEAT,5" STROKE,JAZZYULTRA	1
B1	FRMASMB6364	ACTUATOR,ASSY,POWER SEAT,5" STROKE,FRICION LOCK,E-1010-284	1
C1	ELEASMB3888	ELECTRONIC,ASSY,POWER SEAT INHIBIT SWITCH,W/MOUNTING BRACKET	1

12. Seat Towers & Trapeze Bars

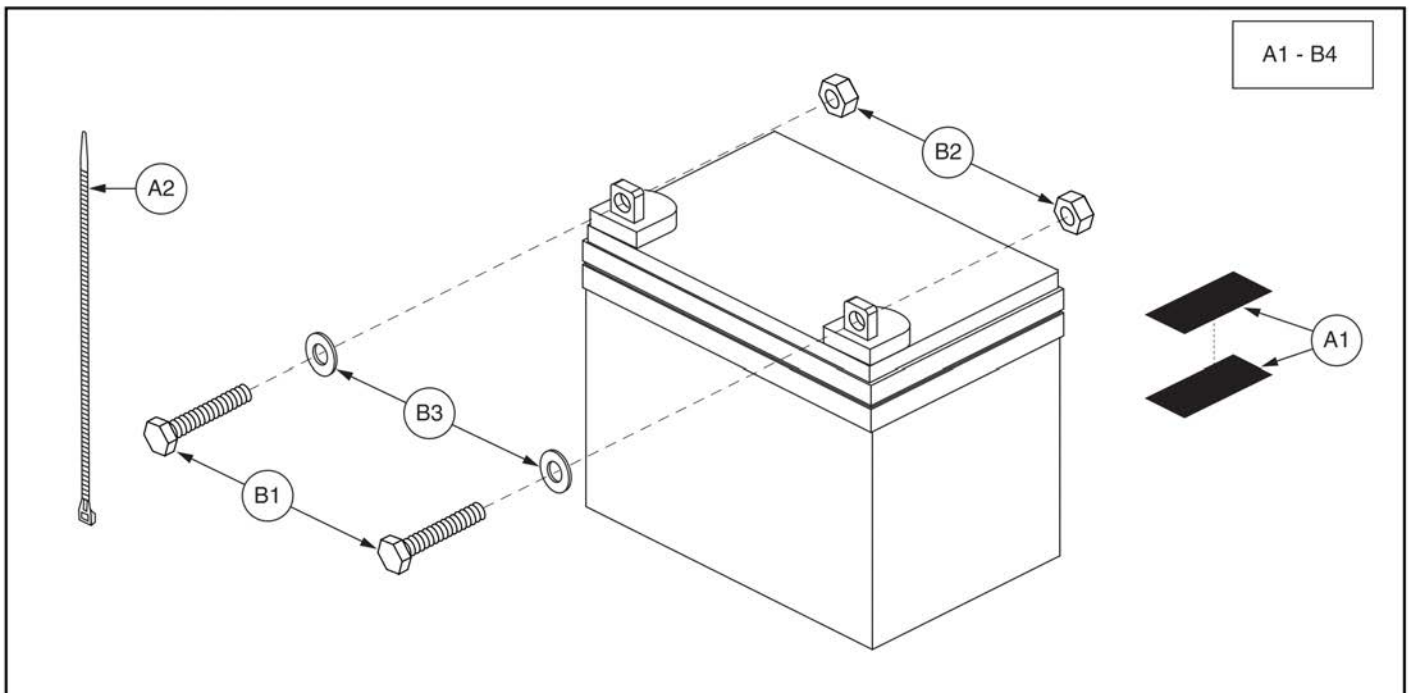


5" Centers Seat Towers & Trapeze Bars



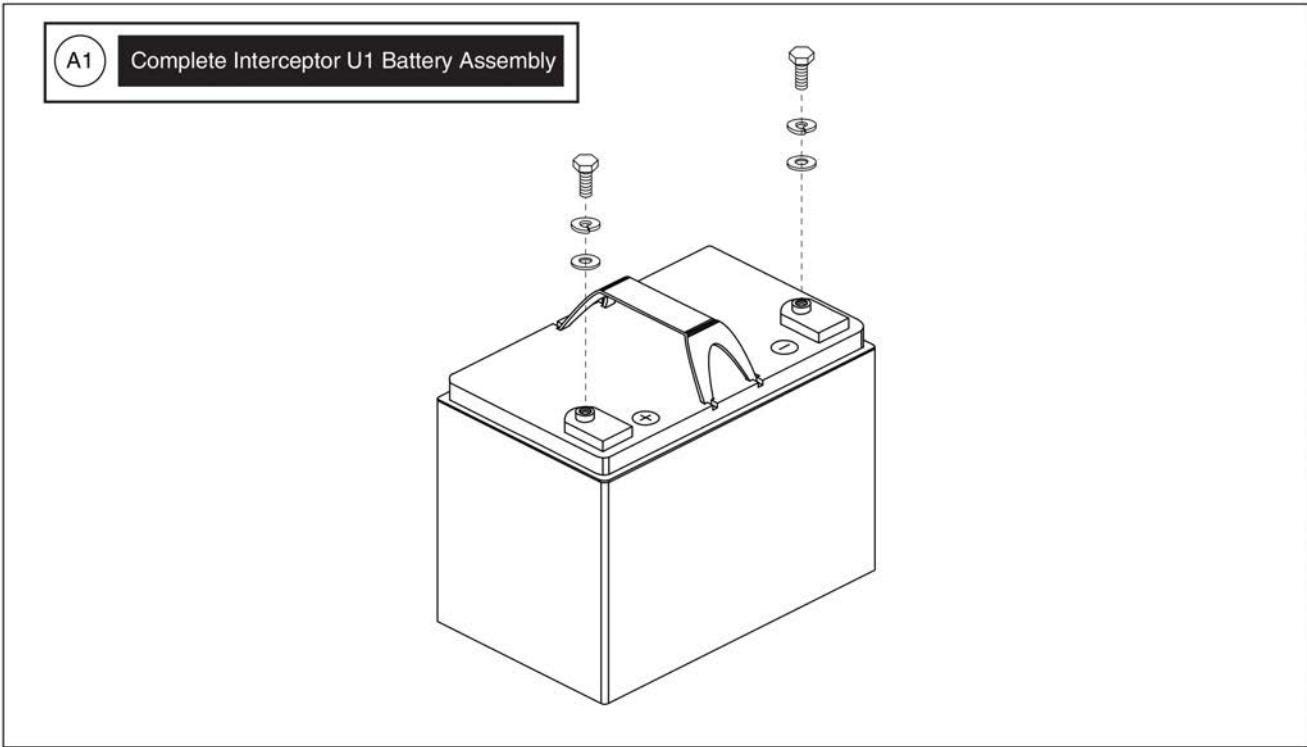
Item	Part No.	Name	Qty
A1	FRMASMB7691	SEAT TOWER,ASSY,5.00",FRONT TRAPEZE BAR	1
B1	FRMASMB7692	SEAT TOWER,ASSY,5.00",REAR TRAPEZE BAR	1
C1	MEC140822	SEAT MOUNT SUPPORT,ASSY,5.039" CENTERS,W/HARDWARE	2
D1	MEC155952	SEAT MOUNT SUPPORT,ASSY,TB2,5.039" CENTERS,W/HARDWARE	2

13. Batteries



Item	Part No.	Name	Qty
A1 - B4	BATASMB1034	BATTERY,ASSY,AGM,U1,W/VELCRO & CABLE TIES	1
A1	HDW124834	REUSABLE FASTENER,HOOK & LOOP,BLACK,4" X 7",W/ADHESIVE BACK,#0115,B STOUT,SET	1
A2	PLSTIE1011	CABLE TIE,NYLON,48"L,HEAVY DUTY	1
B1 - B4	BAT1704611-P	BATTERY,PACKAGED,INTERCEPTOR,GEL,33AH/2HR,U1	1
B1	SCRHHCS1667	SCREW,HHCS,STAINLESS STEEL,1/4-20 X 0.50"	2
B2	NUTSTD1009	NUT,STAINLESS STEEL,1/4-20	2
B3	WASLOCK1084	WASHER,LOCK,STAINLESS STEEL,0.25" ID X 0.4375" OD X 0.0625" TH	2
B4		DECAL,BATTERY & BATTERY CHARGER MANUFACTURER,L-1235-817	1

13. Batteries

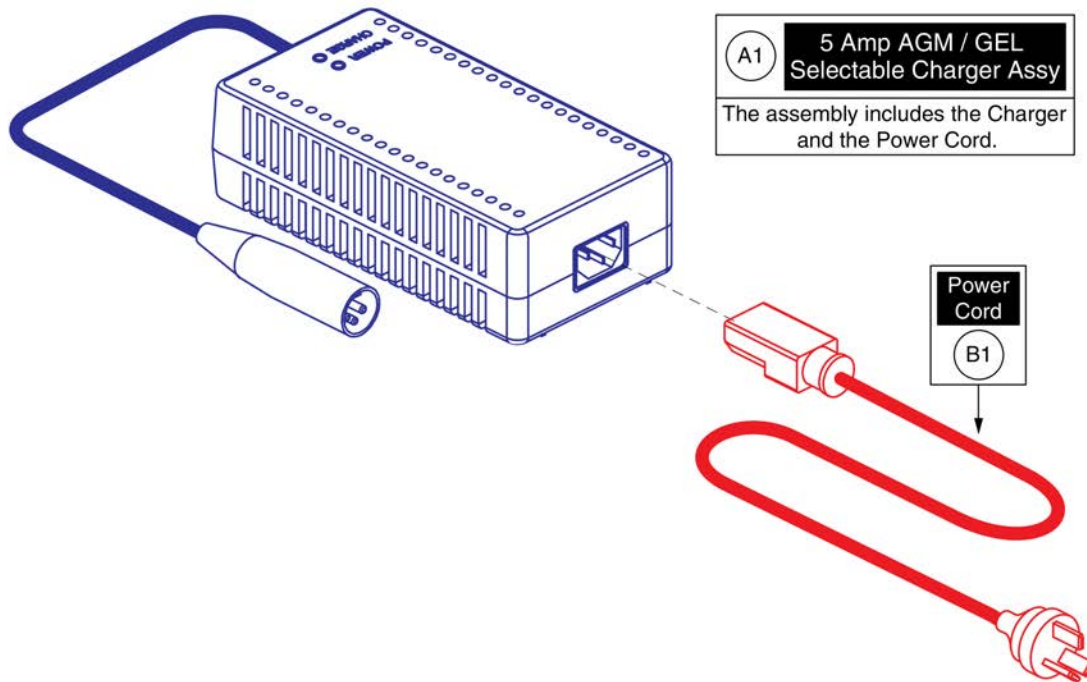


Interceptor Battery, 33AH, GEL



Item	Part No.	Name	Qty
A1	BAT1704611-P	BATTERY,PACKAGED,INTERCEPTOR,GEL,33AH/2HR,U1	1

14. Charger Assy's



Item	Part No.	Name	Qty
A1	ELE1803473	CHARGER, OFFBOARD, LOW INHIBIT, AC 100V-240V, DC 28.6-29.6V @5A, AGM/GEL SELECTABLE. WITH AUSTRALIA CORDSET	1
B1	DWR1000H174	ELECTRONIC,HARNESS,AC POWER CORD,INSULATED BLADES,AUSTRALIA,H-1000-174	1

15.1. Version 2. Swing-away/Multi-axis Joystick Brackets

Rehab Seating

Ref	Part Number	Bracket Type	Joystick Type	Side	Ref	Part Number	Bracket Type	Joystick Type	Side
A1	ACC142525	In-line SWA	Q-Logic	Right	N1	ACC142747	Offset SWA	NE/NE+	Left
B1	ACC142524	In-line SWA	Q-Logic	Left	O1	ACC142750	Offset SWA	PG Drives	Right
C1	ACC142527	In-line SWA	NE/NE+	Right	P1	ACC142749	Offset SWA	PG Drives	Left
D1	ACC142526	In-line SWA	NE/NE+	Left	Q1	ACC142752	Offset SWA	Shark	Right
E1	ACC142530	In-line SWA	PG Drives	Right	R1	ACC142751	Offset SWA	Shark	Left
F1	ACC142529	In-line SWA	PG Drives	Left	S1	ACC142746	Offset SWA	Standalone	Right
G1	ACC142533	In-line SWA	Shark	Right	T1	ACC142745	Offset SWA	Standalone	Left
H1	ACC142532	In-line SWA	Shark	Left	U1	ACC131216	Multi-Axis	Q-Logic	R/L
I1	ACC142739	In-line SWA	Standalone	Right	V1	ACC142528	Multi-Axis	NE/NE+	R/L
J1	ACC142738	In-line SWA	Standalone	Left	W1	ACC142531	Multi-Axis	PG Drives	R/L
K1	ACC142743	Offset SWA	Q-Logic	Right	X1	ACC142534	Multi-Axis	Shark	R/L
L1	ACC142742	Offset SWA	Q-Logic	Left	Y1	ACC142740	Multi-Axis	Standalone	R/L
M1	ACC142748	Offset SWA	NE/NE+	Right	**PG Drives does not include Remote Plus Joysticks**				

Item	Part No.	Name	Qty
A1	ACC142525	JOYSTICK MOUNT,ASSY,SWING AWAY,INLINE,RIGHT,Q-LOGIC 2	1
B1	ACC142524	JOYSTICK MOUNTING BRACKET,ASSY,SWING AWAY,INLINE,LEFT,Q-LOGIC 2	1
C1	ACC142527	JOYSTICK MOUNT,ASSY,SWING AWAY,INLINE,RIGHT,NE/NE PLUS	1
D1	ACC142526	JOYSTICK MOUNT,ASSY,SWING AWAY,INLINE,LEFT,NE/NE PLUS	1
E1	ACC142530	JOYSTICK MOUNT,ASSY,SWING AWAY,INLINE,RIGHT,PG DRIVES	1
F1	ACC142529	JOYSTICK MOUNT,ASSY,SWING AWAY,INLINE,LEFT,PG DRIVES	1
G1	ACC142533	JOYSTICK MOUNT,ASSY,SWING AWAY,INLINE,RIGHT,SHARK	1
H1	ACC142532	JOYSTICK MOUNT,ASSY,SWING AWAY,INLINE,LEFT,SHARK	1
I1	ACC142739	JOYSTICK MOUNT,ASSY,SWING AWAY,INLINE,RIGHT,STANDALONE	1
J1	ACC142738	JOYSTICK MOUNT,ASSY,SWING AWAY,INLINE,LEFT,STANDALONE	1
K1	ACC142743	JOYSTICK MOUNT,ASSY,SWING AWAY,OFFSET,RIGHT,Q-LOGIC	1
L1	ACC142742	JOYSTICK MOUNT,ASSY,SWING AWAY,OFFSET,LEFT,Q-LOGIC	1
M1	ACC142748	JOYSTICK MOUNT,ASSY,SWING AWAY,OFFSET,RIGHT,NE/NE PLUS	1
N1	ACC142747	JOYSTICK MOUNT,ASSY,SWING AWAY,OFFSET,LEFT,NE/NE PLUS	1
O1	ACC142750	JOYSTICK MOUNT,ASSY,SWING AWAY,OFFSET,RIGHT,PG DRIVES	1
P1	ACC142749	JOYSTICK MOUNT,ASSY,SWING AWAY,OFFSET,LEFT,PG DRIVES	1
Q1	ACC142752	JOYSTICK MOUNT,ASSY,SWING AWAY,OFFSET,RIGHT,SHARK	1
R1	ACC142751	JOYSTICK MOUNT,ASSY,SWING AWAY,OFFSET,LEFT,SHARK	1
S1	ACC142746	JOYSTICK MOUNT,ASSY,SWING AWAY,OFFSET,RIGHT,STANDALONE	1
T1	ACC142745	JOYSTICK MOUNT,ASSY,SWING AWAY,OFFSET,LEFT,STANDALONE	1
U1	ACC131216	JOYSTICK MOUNT,ASSY,MULTI-AXIS,Q-LOGIC	1
V1	ACC142528	JOYSTICK MOUNT,ASSY,MULTI-AXIS,NE/NE PLUS	1
W1	ACC142531	JOYSTICK MOUNT,ASSY,MULTI-AXIS,PG DRIVES	1
X1	ACC142534	JOYSTICK MOUNT,ASSY,MULTI-AXIS,SHARK	1
Y1	ACC142740	JOYSTICK MOUNT,ASSY,MULTI-AXIS,STANDALONE	1

15.1. Version 2. Swing-away/Multi-axis Joystick Brackets

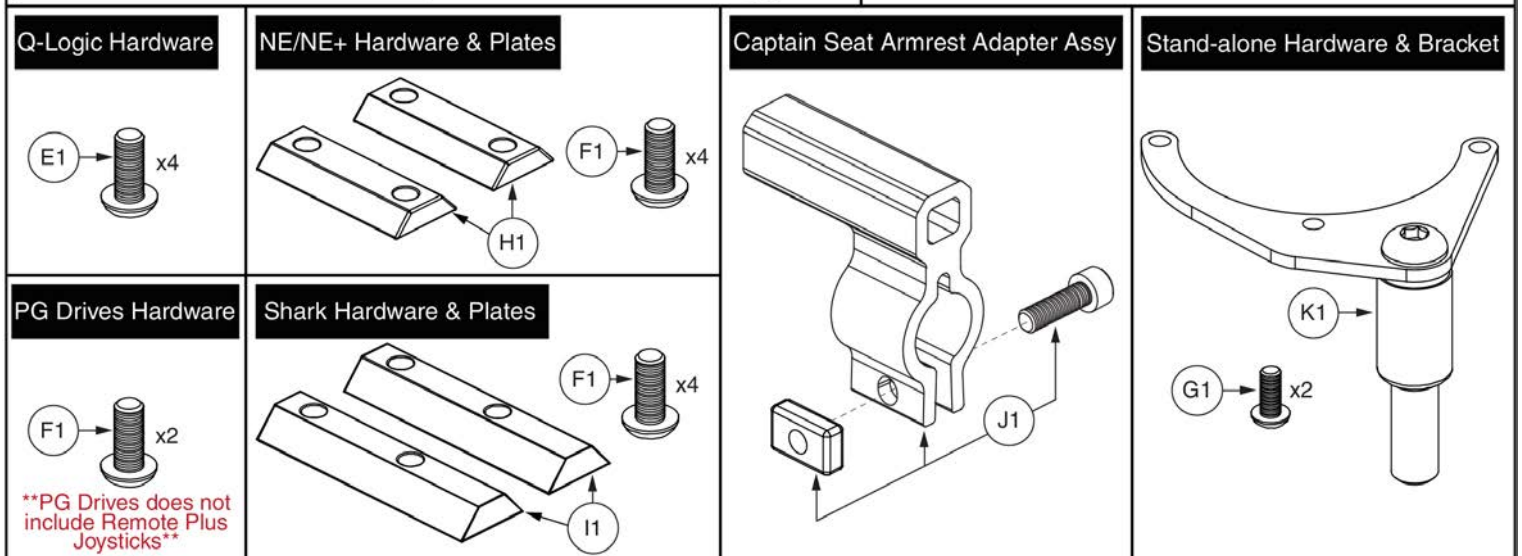
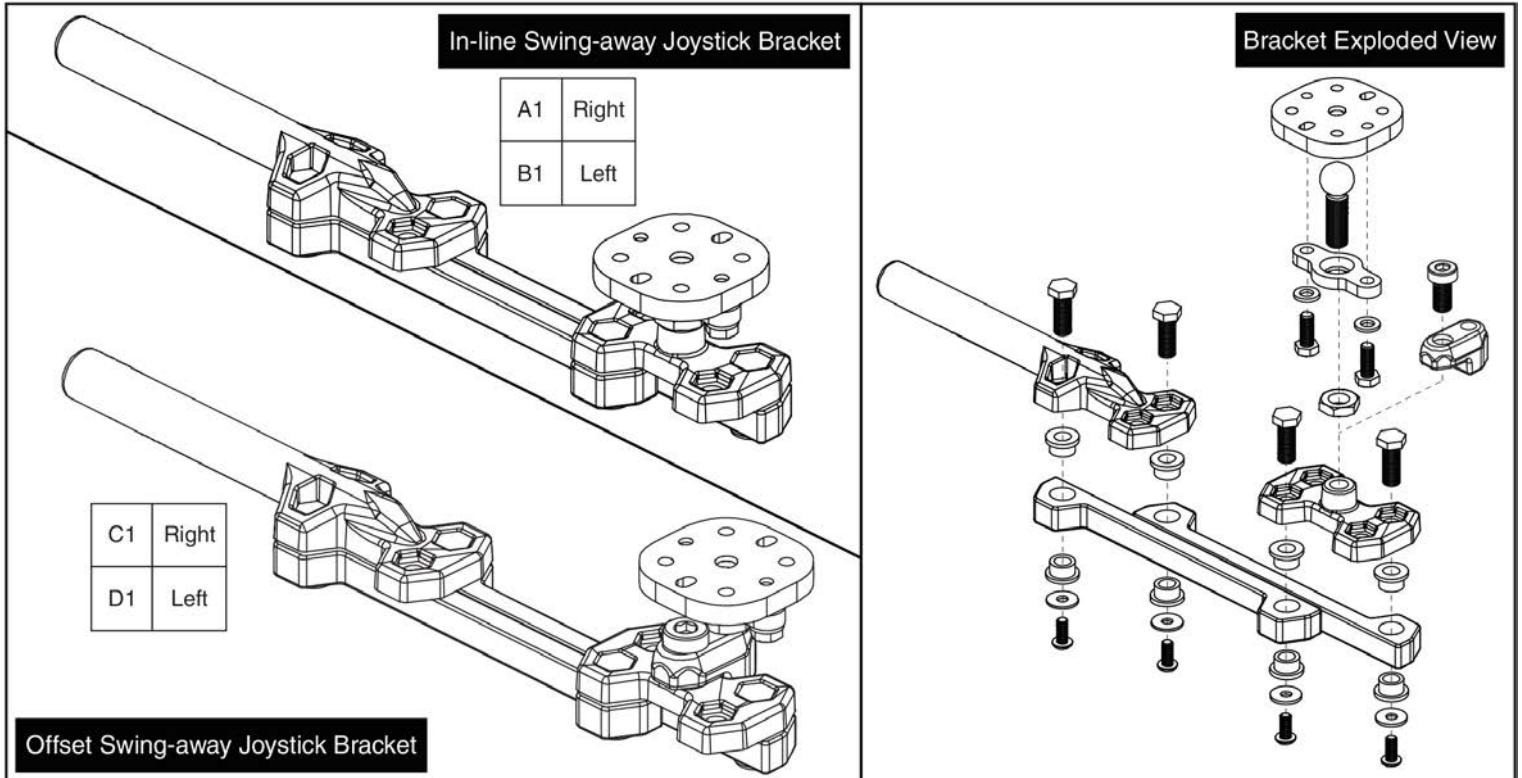
Captain Seating

Ref	Part Number	Bracket Type	Joystick Type	Side	Ref	Part Number	Bracket Type	Joystick Type	Side
A1	ACC148357	In-line SWA	Q-Logic	Right	I1	ACC148359	Offset SWA	Q-Logic	Right
B1	ACC148356	In-line SWA	Q-Logic	Left	J1	ACC148358	Offset SWA	Q-Logic	Left
C1	ACC148361	In-line SWA	NE/NE+	Right	K1	ACC148363	Offset SWA	NE/NE+	Right
D1	ACC148360	In-line SWA	NE/NE+	Left	L1	ACC148362	Offset SWA	NE/NE+	Left
E1	ACC148365	In-line SWA	PG Drives	Right	M1	ACC148367	Offset SWA	PG Drives	Right
F1	ACC148364	In-line SWA	PG Drives	Left	N1	ACC148366	Offset SWA	PG Drives	Left
G1	ACC148369	In-line SWA	Shark	Right	O1	ACC148371	Offset SWA	Shark	Right
H1	ACC148368	In-line SWA	Shark	Left	P1	ACC148370	Offset SWA	Shark	Left

PG Drives does not include Remote Plus Joysticks

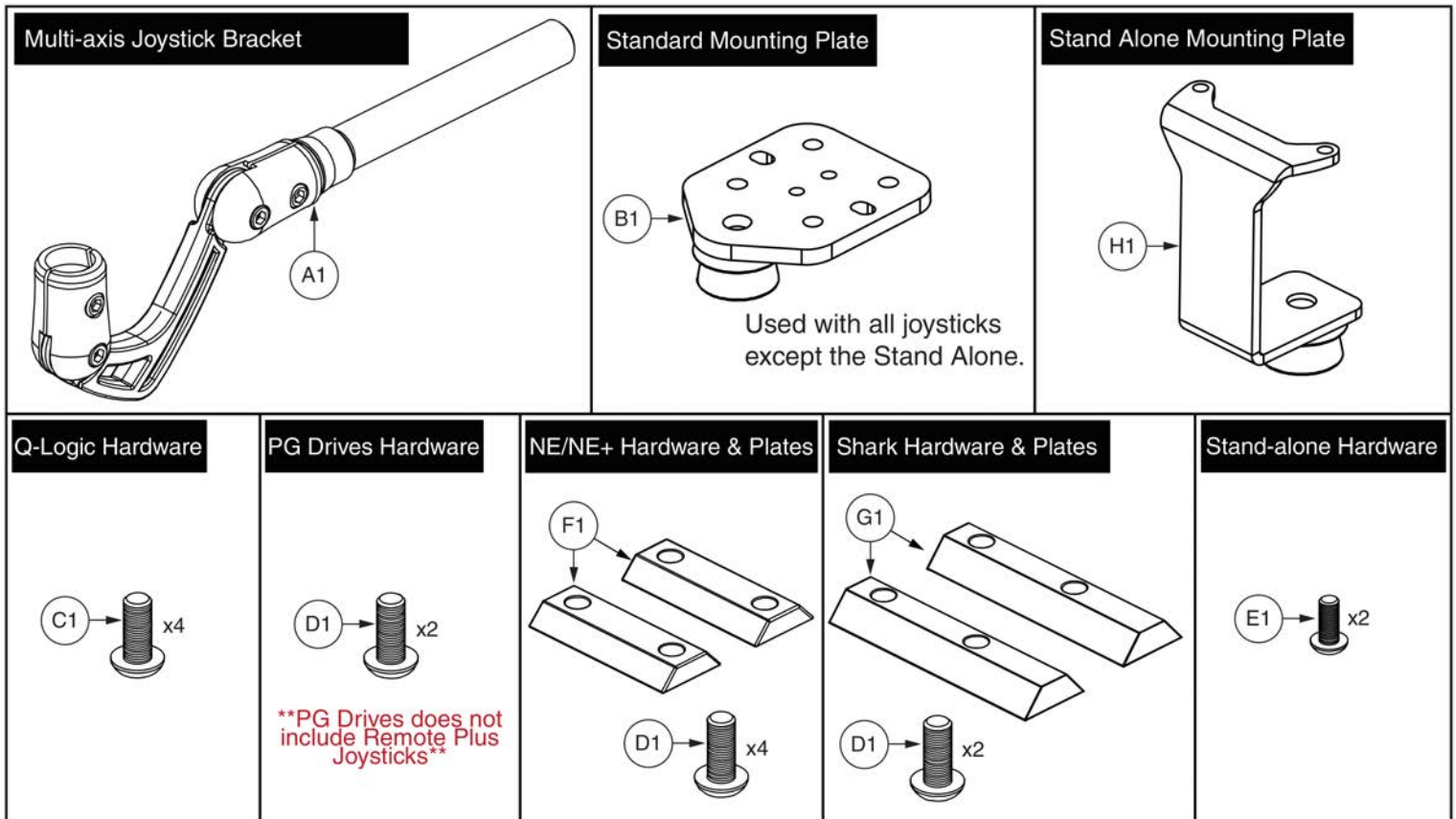
Item	Part No.	Name	Qty
A1	ACC148357	JOYSTICK MOUNTING BRACKET,ASSY,SWING AWAY,INLINE,RIGHT,Q-LOGIC,CAPTAINS SEAT	1
B1	ACC148356	JOYSTICK MOUNTING BRACKET,ASSY,SWING AWAY,INLINE,LEFT,Q-LOGIC,CAPTAINS SEAT	1
C1	ACC148361	JOYSTICK MOUNTING BRACKET,ASSY,SWING AWAY,INLINE,RIGHT,NE/NE PLUS,CAPTAINS SEAT	1
D1	ACC148360	JOYSTICK MOUNTING BRACKET,ASSY,SWING AWAY,INLINE,LEFT,NE/NE PLUS,CAPTAINS SEAT	1
E1	ACC148365	JOYSTICK MOUNTING BRACKET,ASSY,SWING AWAY,INLINE,RIGHT,VSI/VR2/GC3/R-NET,CAPTAINS SEAT	1
F1	ACC148364	JOYSTICK MOUNTING BRACKET,ASSY,SWING AWAY,INLINE,LEFT,VSI/VR2/GC3/R-NET,CAPTAINS SEAT	1
G1	ACC148369	JOYSTICK MOUNTING BRACKET,ASSY,SWING AWAY,INLINE,RIGHT,SHARK,CAPTAINS SEAT	1
H1	ACC148368	JOYSTICK MOUNTING BRACKET,ASSY,SWING AWAY,INLINE,LEFT,SHARK,CAPTAINS SEAT	1
I1	ACC148359	JOYSTICK MOUNTING BRACKET,ASSY,SWING AWAY,OFFSET,RIGHT,Q-LOGIC,CAPTAINS SEAT	1
J1	ACC148358	JOYSTICK MOUNTING BRACKET,ASSY,SWING AWAY,OFFSET,LEFT,Q-LOGIC,CAPTAINS SEAT	1
K1	ACC148363	JOYSTICK MOUNTING BRACKET,ASSY,SWING AWAY,OFFSET,RIGHT,NE/NE PLUS,CAPTAINS SEAT	1
L1	ACC148362	JOYSTICK MOUNTING BRACKET,ASSY,SWING AWAY,OFFSET,LEFT,NE/NE PLUS,CAPTAINS SEAT	1
M1	ACC148367	JOYSTICK MOUNTING BRACKET,ASSY,SWING AWAY,OFFSET,RIGHT,VSI/VR2/GC3/R-NET,CAPTAINS SEAT	1
N1	ACC148366	JOYSTICK MOUNTING BRACKET,ASSY,SWING AWAY,OFFSET,LEFT,VSI/VR2/GC3/R-NET,CAPTAINS SEAT	1
O1	ACC148371	JOYSTICK MOUNTING BRACKET,ASSY,SWING AWAY,OFFSET,RIGHT,SHARK,CAPTAINS SEAT	1
P1	ACC148370	JOYSTICK MOUNTING BRACKET,ASSY,SWING AWAY,OFFSET,LEFT,SHARK,CAPTAINS SEAT	1

15.1. Version 2. Swing-away/Multi-axis Joystick Brackets



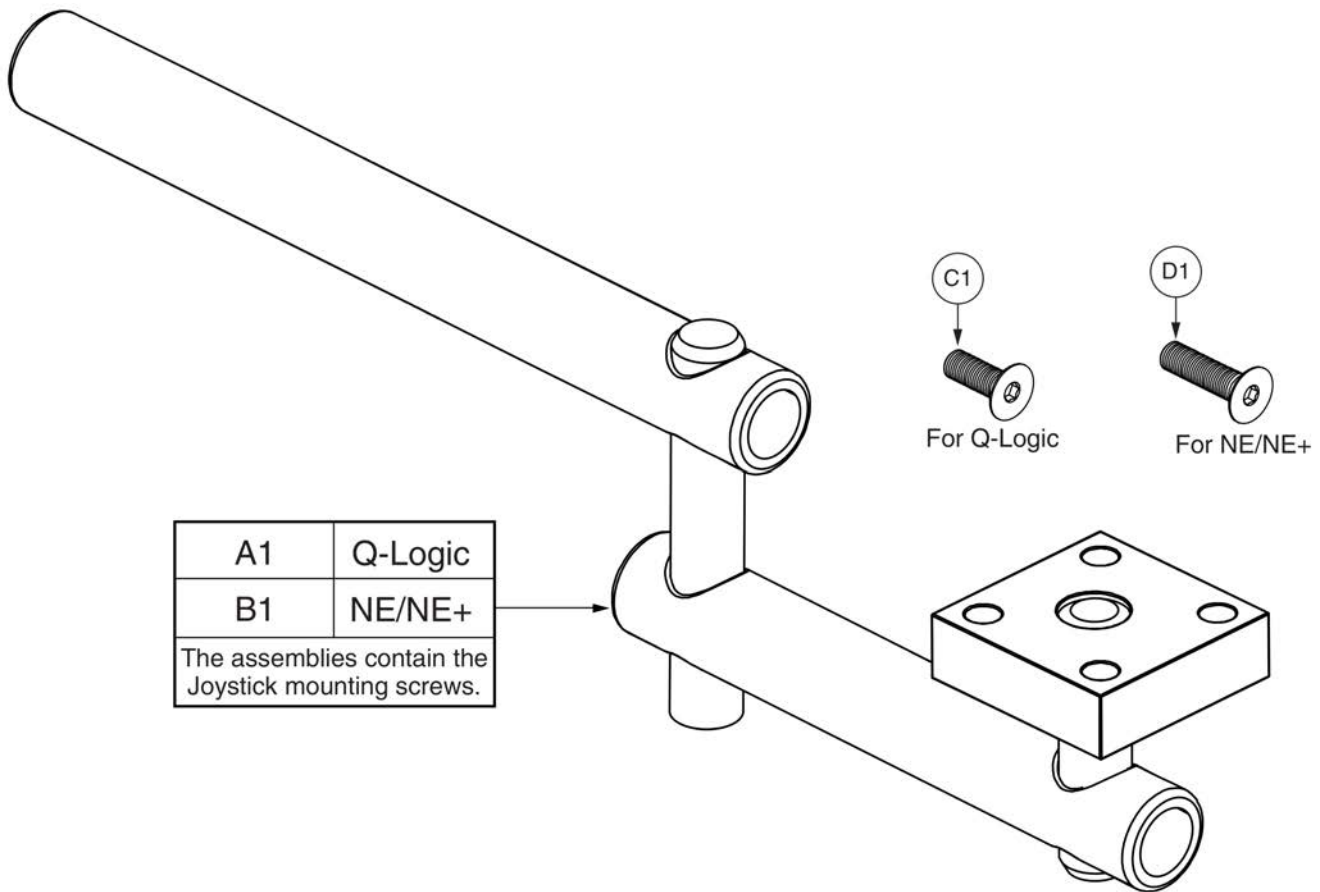
Item	Part No.	Name	Qty
A1	ACC131586	SWING AWAY JOYSTICK MOUNT,ASSY,INLINE,RIGHT	1
B1	ACC124921	SWING AWAY JOYSTICK MOUNT,ASSY,INLINE,LEFT	1
C1	MEC1712220	SWING-AWAY ASSEMBLY, EXTENDED OFFSET, RIGHT	1
D1	MEC1712217	SWING-AWAY ASSEMBLY, EXTENDED OFFSET, LEFT	1
E1	SCRPPH1279	SCREW,PPH,BLACK ZINC CHROMATE,M5-.8 X 16MM	1
F1	SCRPPH1384	SCREW,PPH,BLACK ZINC,M5-.8 X 20MM	1
G1	SCRPPH1036	SCREW, PAN HEAD, TYPE H, M4X0.7 X 8, FT, ISO 7045, CL 4.8, BZ	1
H1	DWR1111C002	SPACER,CURTIS NE/NE PLUS MOUNT BRACKET,C-1111-002	2
I1	DWR1010B089	SPACER,FLIGHT MOUNT BRACKET,B-1010-089	2
J1	MEC146133	ARMREST ADAPTER ASSEMBLY	1
K1	MEC142426	MOUNTING BRACKET,ASSY,STAND ALONE JOYSTICK	1

15.1. Version 2. Swing-away/Multi-axis Joystick Brackets



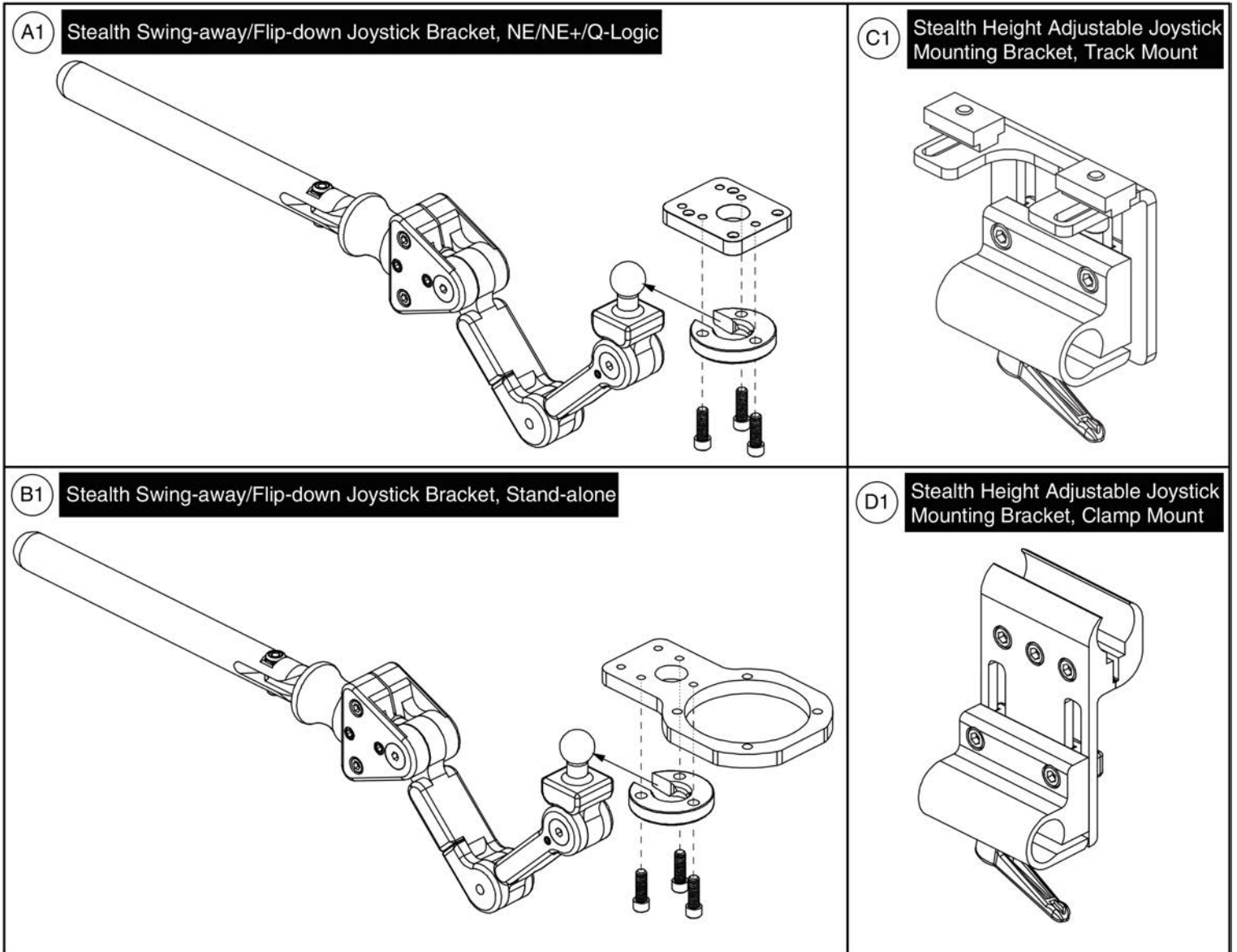
Item	Part No.	Name	Qty
A1	ACC124132	MULTI-AXIS JOYSTICK ASSEMBLY	1
B1	MEC124133	MULTI-AXIS JOYSTICK PLATE WELDMENT	1
C1	SCRPPH1097	SCREW,PPH,BLACK ZINC,M5-.8 X 12MM	1
D1	SCRPPH1384	SCREW,PPH,BLACK ZINC,M5-.8 X 20MM	1
E1	SCRPPH1036	SCREW, PAN HEAD, TYPE H, M4X0.7 X 8, FT, ISO 7045, CL 4.8, BZ	1
F1	DWR1111C002	SPACER,CURTIS NE/NE PLUS MOUNT BRACKET,C-1111-002	2
G1	DWR1010B089	SPACER,FLIGHT MOUNT BRACKET,B-1010-089	2
H1	MEC138180	STAND ALONE WELDMENT	1

15.2. Retract 4 Swing-away Joystick Bracket



Item	Part No.	Name	Qty
A1	MEC138860	SWING AWAY JOYSTICK MOUNT,ASSY,RETRACT 4,Q-LOGIC	1
B1	MEC138876	SWING AWAY JOYSTICK MOUNT,ASSY,RETRACT 4,NE/NE PLUS	1
C1	SCRSFH1005	SCREW,SHFH,BLACK ZINC,M5-.8 X 14MM	4
D1	SCRSHFH1053	SCREW,SHFH,BLACK ZINC,M5-.8 X 20MM	4

15.3. Stealth Swing-away/Flip-down Joystick Bracket



Item	Part No.	Name	Qty
A1	ST-TWBM480QL-Q	JOYSTICK MOUNTING BRACKET,ASSY,SWING AWAY/FLIP DOWN,NE/NE PLUS/Q-LOGIC,W/MOUNTING HARDWARE	1
B1	ST-TWBM480CJ-Q	JOYSTICK MOUNTING BRACKET,ASSY,SWING AWAY/FLIP DOWN,STANDALONE,W/MOUNTING HARDWARE	1
C1	ST-ARM250T-Q	JOYSTICK MOUNT,ASSY,HEIGHT ADJUSTABLE,W/TRACK HARDWARE	1
D1	ST-ARM250C-Q	JOYSTICK MOUNT,ASSY,HEIGHT ADJUSTABLE,W/CLAMP HARDWARE	1

16. Owner's & Decal Packages



Owner's Package

Item	Part No.	Name	Qty
N/A		OWNER'S PACKAGE,QUANTUM610,AUSTRALIA	1
N/A	INFMANU3992	MANUAL,CONSUMER SAFETY GUIDE,POWERCHAIR	1
N/A		MANUAL,PRODUCT INSERT SHEET,POWER CHAIR WARRANTY,AUSTRALIA	1
N/A		MANUAL,WARRANTY CARD,AUSTRALIAN	1
N/A		BAG,10"L X 12"W X 2MM,ZIPLOCK	1
N/A	SCRHHCS1291	SCREW,HHCS,BLACK ZINC,M6-1.0 X 35MM,GRADE 10.9	4
N/A	NUTNYLK1019	NUT,NYLOCK,BLACK ZINC,M6-1.0	4
N/A	VELDBLS1001	REUSABLE FASTENER,1/2"W X 8"L,HOOK & LOOP	1
N/A	PLSTIE1015	CABLE TIE,BLACK,NYLON,7.5-8MM W X 200-220MM L,100 LBS MINIMUM TESILE STRENGTH	5
N/A	INFINFB1841	MANUAL,INSTALLATION INSTRUCTIONS,CONTROLLER CABLE ROUTING,CONTOURED SEAT	1
N/A		HANG TAG,ROUND,EMI-RFI 20V,DEC8120002	1
N/A	INFMANU2924	MANUAL,OWNER'S,QUANTUM610	1
N/A		MANUAL,PRODUCT SPECIFICATION SHEET,QUANTUM 610	1
N/A		MANUAL,PRODUCTION TEAM CARD,QUANTUM DIVISION	1
N/A		MANUAL,GENERIC BACK COVER,QUANTUM	1

16. Owner's & Decal Packages



Decal Package

Item	Part No.	Name	Qty
N/A		DECAL,ASSY,QUANTUM610,AUSTRALIA	1
N/A		DECAL,NAME,QUANTUM610,RIGHT,L-1234-512	1
N/A		DECAL,NAME,QUANTUM610,LEFT,L-1234-513	1
N/A	DWR1234L799	DECAL,ICON,1" X 2.5",WEATHER/MANUAL/LOOSE GARMENT,L-1234-799	1
N/A		DECAL,CAUTION - OPERATIONAL INSTRUCTION,ARM COVER	1
N/A		DECAL,POWER POD,4-3/4" X 19/64",RED,BLACK,YELLOW,L-1234-065	2
N/A	DECINDV1236	DECAL,1 3/4"L X 1/2"H,ELECTRICAL APPROVAL,C-TICK DECAL,SILVER,L-1234-569	1
N/A		DECAL,SHIPPING CARTON, PRIDE AUSTRALIA PROPERTY STATEMENT	1
N/A	DWR1234L091	DECAL,ICON,JAZZY FREEWHEEL,UP-DRIVE/DOWN-NEUTRAL,L-1234-091	2
N/A	DWR1234L004	DECAL,ICON,300LBS/135 KG,MAXIMUM WEIGHT CAPACITY,L-1234-004	1
N/A	DWR1050L003	DECAL,POWERCHAIR,US AND FOREIGN PATENTS PENDING,MFG IN CHINA	1
N/A	DWR1234L421	DECAL,WARNING,EMI-RFI,20V/M,L-1234-421	1
N/A	DWR1234L011	DECAL,ICON,BATTERY CORROSIVE CHEMICALS WARNING,L-1234-011	1
N/A	DWR1234L012	DECAL,ICON,1.5",READ OWNERS MANUAL,L-1234-012	1
N/A	DWR1234L063	DECAL,MOTOR HARNESS,RED,SQUARE,L-1234-063	1
N/A	DWR1234L064	DECAL,MOTOR HARNESS,YELLOW,SQUARE,L-1234-064	1
N/A	DWR1234L039	DECAL,ICON,BATTERY TERMINAL WARNING,L-1234-039	1
N/A	DWR1234L621	DECAL,LOGO,QUANTUM "Q",L-1234-621	1
N/A	DWR1234L957	DECAL,WARNING,DEFLATE TIRE COMPLETELY,L-1234-957	2
N/A	DWR1234L804	DECAL,BATTERY CONNECTION,1.75" X 2.0",ULTRA/600 SERIES,L-1234-804	1
N/A	DWR1235L061	DECAL,BATTERY WARNINGS,L-1235-061	1

Appendix A:Pages Index

10" Flat-free Wheel Assy, Black Rim/Charcoal Tire, WHL140393, Q610 . 15

10" Flat-free Wheel Assy, Black Rim/Gray Tire, WHLASMB1418 13

10" Pneumatic Wheel Assy, Black Rim/Charcoal Tire, WHL140390, Q610
19

10" Pneumatic Wheel Assy, Black Rim/Gray Tire, WHLASMB1417 17

5 Amp UPG Charger Assy, AGM / GEL Selectable, AU Cord 89

5" Centers Seat Towers & Trapeze Bars 83

ATX Foot Platform & Standard Battery Access Bracket, J/Q 610 69, 75

Active Trac Motor Mount, Freewheel Lever, & Caster Arm, Q610 9

Aftermarket Joystick Knobs 29

Articulating Beam, Q610 11

Battery Access Door for AFP, J/Q 610 73

Bell Foot Platform, J/Q 610 71

Decal Package, AU, Q610 105

Drive Motor Assembly 5

Dynamic Flight Electronics, Off-board Charger, Q610 51

E684 Glide Motors, Anderson Connector 7

Interceptor Battery, 33AH, GEL 87

Main Frame for Power Seating (Pedestal Actuator), J/Q 610 3

Main Frame for Seat Towers, J/Q 610 1

Multi-Axis Joystick Bracket Components, Version 2 97

NE + Joystick Bottom Housing w/Bus Cable 41

Owner's Package, AU, Q610 103

PG Drives & Dynamic Joysticks - Remote Plus, VSI, VR2, & Shark, Q610
21

PG Joystick Overlays 31

Q-Logic 1 / Stand Alone / NE / NE+ Joystick Overlays 35

Q-Logic 1 Joystick & Enhanced Display Bottom Housing w/Bus Cable . . 43

Q-Logic 1 Joystick Assy's 23

Q-Logic 2 & 3 Joystick Shrouds 39

Q-Logic 2 & 3 Joystick Bottom Housing w/Bus Cable 45

Q-Logic 2 Joystick Assemblies 25

Q-Logic 2 Stand Alone Joystick Assy 27

Q-Logic Electronics, Off-board Charger, Q610 59

Q-Logic Electronics, Quantum Ready/Tilt ThruToggle, Off-board Charger,
Q610 61

Q-Logic Joystick Knobs 37

Remote Plus Electronics, Off-board Charger, Q610 47

Remote Plus Electronics, Quantum Ready, Off-board Charger, Q610 . . 49

Retract 4 Swing-away Joystick Bracket for Curtis Joysticks 99

Shark Joystick Overlays 33

Shroud Assy's - Off-board Charger, Q610 77

Stealth Swing-away / Flip Down Joystick Brackets & Mounts 101

Swing-away & Multi-axis Mount Matrix, Captain Seat, Version 2 93

Swing-away & Multi-axis Mount Matrix, Rehab Seat, Version 2 91

Swing-away Joystick Bracket Components, Version 2 95

Universal, Friction Lock Power Seat Actuator Assy's 81

Universal, U1, AGM, Battery Assy 85

VR2 Electronics, Off-board Charger, Q610 63

VR2 Electronics, Tilt Thru Joystick, Off-board Charger, Q610 65

VR2 Electronics, Tilt Thru Toggle/Future Actuator Expansion, Off-board Charger,
Q610 67

VSI Electronics, Power Seat, Off-board Charger, Q610 55

VSI Electronics, Off-board Charger, Q610 53

VSI Electronics, Quantum Ready, Off-board Charger, Q610 57

Appendix B:Parts Index

ACC124132	98	ACCASMB1862	30
ACC124921	96	BAT1704611-P	86, 88
ACC131216	92	BATASMB1034	86
ACC131586	96	BLTASHL1126	10
ACC142524	92	BLTASHL1137	10
ACC142525	92	CLISTL1013	78
ACC142526	92	CTL123217	26
ACC142527	92	CTL124653	26
ACC142528	92	CTL137635	28
ACC142529	92	CTLASMB7110020	24
ACC142530	92	CTLASMB7110038	60, 62
ACC142531	92	CTLASMB7110039	62
ACC142532	92	CTLDC1112	22
ACC142533	92	CTLDC1347	22
ACC142534	92	CTLDC1368	22
ACC142738	92	CTLDC1463	22
ACC142739	92	CTLDC1467	24
ACC142740	92	CTLDC1498	22
ACC142742	92	CTLDC1505	22
ACC142743	92	DEC8120002	104
ACC142745	92	DECASMB1737	106
ACC142746	92	DECINDV1236	106
ACC142747	92	DGN124307	40, 40
ACC142748	92	DGN124308	26, 38
ACC142749	92	DGN124309	26, 38
ACC142750	92	DGN124336-PBK1	40, 40
ACC142751	92	DGN124336-PBK3	40
ACC142752	92	DGN124336-PBU1	40
ACC148356	94	DGN124336-PBU10	40
ACC148357	94	DGN124336-PBU11	40
ACC148358	94	DGN124336-PBU9	40, 40
ACC148359	94	DGN124336-PGN11	40
ACC148360	94	DGN124336-PGN5	40
ACC148361	94	DGN124336-PGN7	40
ACC148362	94	DGN124336-PGN8	40
ACC148363	94	DGN124336-POR4	40
ACC148364	94	DGN124336-POR6	40
ACC148365	94	DGN124336-POR7	40
ACC148366	94	DGN124336-PPK1	40
ACC148367	94	DGN124336-PPK3	40
ACC148368	94	DGN124336-PPK4	40
ACC148369	94	DGN124336-PPR4	40
ACC148370	94	DGN124336-PPR5	40
ACC148371	94	DGN124336-PPR7	40
ACCASMB1856	30	DGN124336-PRD1	40, 40
ACCASMB1857	30	DGN124336-PRD4	40
ACCASMB1858	30	DGN124336-PSL1	40
ACCASMB1859	30	DGN124336-PSL3	40
ACCASMB1860	30	DGN124336-PSL7	40
ACCASMB1861	30	DGN124336-PWH2	40
		DGN124336-PYL3	40, 40

DGN124336-PYL4	40	DWR1116H054	64
DGN124336-WCB1	40	DWR1202C012	10
DGN124336-WCM7	40	DWR1234L004	70, 74, 76, 106
DGN124336-WFL2	40	DWR1234L011	106
DGN140932	10	DWR1234L012	106
DGN142484	2	DWR1234L039	106
DGN142485	2, 4	DWR1234L063	106
DGN154742	38	DWR1234L064	106
DRVASMB1903	6, 8	DWR1234L065	106
DRVASMB1904	6, 8	DWR1234L091	106
DWG1000L010	106	DWR1234L421	106
DWR1000H174	90	DWR1234L512	106
DWR1000L051	106	DWR1234L513	106
DWR1010B089	96, 98	DWR1234L621	106
DWR1010H047	22	DWR1234L799	106
DWR1010H051	48, 50	DWR1234L804	106
DWR1010H128	64, 66, 68	DWR1234L957	106
DWR1050L003	106	DWR1235L061	106
DWR1054A011	2, 4, 48, 50	DWR1235L817	86
DWR1054B024	2, 4	DWR1265H021	62
DWR1054C008	12	DWR1265H027	60
DWR1054C011	54, 56, 58	DWR1265H030	66, 68
DWR1054C012	2, 4	DWR1361H038	50, 58, 62, 66, 68
DWR1054C013	54, 56, 58	DWR1361H076	66
DWR1054C021	48, 50	DWR7700A010	18, 20
DWR1054D054	48, 50, 52, 60, 62, 64, 66, 68	ELE124312	26
DWR1054E006	2, 4	ELE124313	26, 46
DWR1054H007	48, 50	ELE136968	60
DWR1054H009	56	ELE136969	62
DWR1056C066	12	ELE136970	62
DWR1056H002	52	ELE136971	64
DWR1056H004	52	ELE136972	68
DWR1056H005	52	ELE136973	66
DWR1056H007	52	ELE136974	68
DWR1056H023	64, 66, 68	ELE136986	48
DWR1056H024	64, 66, 68	ELE136987	50
DWR1056H025	64, 66, 68	ELE136988	48
DWR1056H027	60, 62	ELE136989	50
DWR1056H028	60, 62	ELE144006	46
DWR1056H029	60, 62	ELE1803473	90
DWR1058C007	14, 16, 18, 20	ELEASMB3592	54
DWR1111C002	96, 98	ELEASMB3868	56
DWR1111C003	42	ELEASMB3888	82
DWR1111H051	28	ELEASMB4269	78
DWR1111H053	28	ELEASMB4406	58
DWR1111H065	60, 62	ELEASMB4807	22
DWR1111H066	44	ELEASMB4808	22
DWR1111H067	44	ELEASMB4809	48, 50
DWR1111H199	32	ELEASMB4810	48, 50
DWR1116H017	52	ELEASMB4824	52
DWR1116H034	50, 58	ELEASMB4826	52

ELEASMB5214	60, 62	MEC133916	10
ELEASMB5343	22	MEC133917	10
ELEASMB5492	62	MEC135524	10
ELEASMB6251	64, 68	MEC135526	10
ELEASMB6252	66, 68	MEC135529	10
ELECBRK1007	2	MEC138180	98
ELECBRK1030	2, 4	MEC138860	100
FRMASMB10454	28	MEC138876	100
FRMASMB10617	24, 26	MEC138920	70, 76
FRMASMB11156	28	MEC140101	12
FRMASMB12343	12	MEC140280	10
FRMASMB12344	12	MEC140281	10
FRMASMB16077	70, 76	MEC140822	84
FRMASMB2066	22	MEC141158	10
FRMASMB4767	22	MEC141159	10
FRMASMB6364	82	MEC142426	96
FRMASMB6369	82	MEC142685	74
FRMASMB7691	84	MEC146133	96
FRMASMB7692	84	MEC155952	84
FRMASMB8469	2, 4	MEC1712217	96
FRMASMB8474	10	MEC1712220	96
FRMASMB9532	22	MEC1714580	8
HARUSHD2080	48, 54, 56	NUTNYLK1019	104
HARUSHD2189	22	NUTNYLK1073	10, 10
HARUSHD2218	48, 50	NUTNYLK1080	10
HARUSHD2219	48, 50	NUTSTD1009	86
HDW124834	86	PLSINDV1003	18, 20
HDW133915	10	PLSINDV1164	22
HDW138262	10	PLSINDV1252	38
HDWASMB1057	48, 50, 64, 66, 68	PLSINDV1264	34
HDWASMB1059	52, 60, 62	PLSINDV1265	34
HDWASMB1092	10	PLSKNCP1057	30
HDWASMB1187	12	PLSKNCP1058	30
INDASMB1630	104	PLSTIE1011	86
INFINFB1149	104	PLSTIE1013	56
INFINFB1841	104	PLSTIE1015	104
INFINFB2758	104	PROZBAG1003	104
INFINFB3072	104	RECPART1061	32
INFINFB3501	104	RECPART1066	32
INFINFB3512	104	RECPART1067	32
INFMANU2924	104	RECPART1071	32
INFMANU3992	104	RECPART1085	32
KIT150476	6	RECPART1129	32
KIT152913	36	RECPART1130	32
KIT152914	36	RIGASMB7120041	72
KIT152915	36	SCRALNH1037	6
KIT152919	26, 38	SCRALNH1038	6
KITASMB1728	36	SCRHHCS1291	104
KITASMB1729	36	SCRHHCS1667	86
KITASMB1730	36	SCRPPH1032	48, 50
MEC124133	98	SCRPPH1036	96, 98

SCRPPH1097	98	VELDBLS1001	104
SCRPPH1163	48, 50	WASLOCK1084	86
SCRPPH1279	96	WASMETR1043	10, 10
SCRPPH1318	2, 4	WHL140381	10
SCRPPH1384	96, 98	WHL140384	12
SCRSFH1005	100	WHL140390	20
SCRSFH1053	100	WHL140393	16
SCRSFH1080	54, 56, 58	WHL140509	16
SHDASMB3876	78	WHL140511	20
SHDASMB3917	78	WHL140933-D	10
SHDASMB3983	80	WHL140934-D	12
SHDASMB4023	78	WHL140935-D	12
SHDASMB4024	78, 78	WHL140936-D	10
SHDASMB4072	78	WHLASMB1417	18
SHDASMB4492	78	WHLASMB1418	14
SHDASMB4493	78	WHLASMB1494	14, 16, 18, 20
SHDASMB4494	78	WHLASMB1745	10
SHDASMB4496	78	WHLASMB1762	12
SHDASMB4615	78		
SHDASMB4630	78		
SHDASMB4631	78		
SHDASMB4632	78		
SHDASMB4633	78		
SHDASMB4634	78		
SHDASMB4898	78		
SHDASMB4899	78		
SHDASMB4900	78		
SHDASMB4910	78		
SHDASMB4911	78		
SHDASMB4912	78		
SHDASMB4922	78		
SHDASMB4923	78		
SHDASMB4924	78		
SHDASMB4934	78		
SHDASMB4935	78		
SHDASMB4936	78		
SHDASMB4946	78		
SHDASMB4947	78		
SHDASMB4948	78		
SHDASMB4958	78		
SHDASMB4959	78		
SHDASMB4960	78		
ST-ARM250C-Q	102		
ST-ARM250T-Q	102		
ST-TWBM480CJ-Q	102		
ST-TWBM480QL-Q	102		
TECSERV1064	32		
TECSERV1065	32		
TIRPNEU1015	18		
TIRSOLI1020	14		
TUBSTND1012	18, 20		

Illustrated Parts Breakdown

USA - Quantum Rehab

401 York Avenue
Duryea, Pa 18642
www.quantumrehab.com

USA - Pride Mobility Products Corp.

182 Susquehanna Avenue
Exeter, Pa 18643
www.pridemobility.com

Canada

5096 South Service Road
Beamsville, Ontario L0R 1B3
www.pridemobility.ca
www.quantumrehab.com

Australia

20-24 Apollo Drive
Hallam, Victoria 3803
www.pridemobility.com.au
www.quantumrehab.com.au

New Zealand

38 Lansford Crescent
Avondale, Auckland 0600
www.pridemobility.co.nz

UK

32 Wedgwood Road
Bicester, Oxfordshire OX26 4UL
www.pride-mobility.co.uk
www.quantumrehab.co.uk

Netherlands

(Authorised EU Representative)

De Zwaan 3
1601 MS Enkhuizen
www.pridemobility.eu
www.quantumrehab.eu

Italy

Via del Progresso, ang. Via del Lavoro
Loc. Prato della Corte
00065 Fiano Romano (RM)
www.pride-italia.it
www.quantumrehab-italia.it

France

26 Rue Monseigneur Ancel
69800 Saint-Priest
www.pridemobility.fr
www.quantumrehab.fr

Spain

Calle Las Minas Número 67
Polígono Industrial Urtinsa II, de Alcorcón
28923 Madrid

Germany

Hövelrieger Str. 28
33161 Hövelhof
www.pridemobility.de

China

Room 508, Building #4
TianNa Business Zone
No. 500 Jianyun Road
Pudong New Area
Shanghai 201318

