

TB2 Electronics IPB

Tilt, Recline, Tilt & Recline, Lift & Tilt. INFMANU3594

This Illustrated Parts Breakdown (IPB) Catalog has been compiled from the latest product information available at the time of publication. Quantum Rehab[®] / Pride Mobility Products[®] Corporation reserves the right to make changes and updates to this manual and to the product(s) it represents. Any changes, updates, or improvements to the product(s) may result in slight differences between this manual and the product that has been purchased.

An IPB is a graphically portrayed parts listing of product components which have been deemed to have serviceable, maintenance significance. When applicable, IPBs utilize “exploded” illustrations that detail serviceable components and a corresponding itemized parts list of reference numbers, part numbers, descriptions, quantities, and any applicable pricing. Most product components are incorporated into assemblies and may not be available for replacement.

Serviceable components will be noted by a callout in the illustration that will correspond to a alphanumeric reference number in the parts list. Items may also be listed in the parts list by parent assemblies. In most cases when a parent assembly is listed, there will be child parts or sub-assemblies listed under that parent.

For example: The parent assembly reference number is A1 — A5. That part contains all of the items listed as and contained within A1, A2, A3, A4, & A5. As long as these subcomponents have a callout associated with them, they can be selected for replacement or quote.

Updates to the contents of an IPB will be made on a regular basis based upon applicable product changes and enhancements. This PDF catalog has been export from the Provider based service site. The most up to date parts look up tool and ordering application is located at: prideprovider.com. Please utilize this system to enhance your user experience. It is built with highly interactive materials that are set with relational properties that will facilitate easier part look-up, more accurate parts selection, notification of onhand part availability, and quick links to related documents and products.

We welcome all questions and comments regarding the Quantum Rehab[®] / Pride Mobility Products[®] Corporation IPB systems.

Any pricing that is included in Quantum Rehab[®] /Pride Mobility Products[®] Corporation IPBs is subject to change without prior notice.

Thank you for choosing products from Quantum Rehab[®] and Pride Mobility Products[®] Corporation.



1. Tilt

1.1. Tilt thru Toggle

| | |
|---|---|
| Tilt thru Toggle Harness and Inhibit Assy | 1 |
| High Power Toggles and Mounts, Tubular Arms | 3 |

1.2. Tilt thru Single Switch

| | |
|---|---|
| TB2 Single Switch through Current Limit Box | 5 |
|---|---|

1.3. Curtis thru AM1 / AM2 Assy's

| | |
|---|----|
| AM1/ AM2, Master Assembly and Modules, After 1/2/12 | 7 |
| AM1/AM2, Master Assembly and Modules, Before 1/2/12 | 9 |
| AM1/ AM2, Harnesses and Hardware | 11 |
| AM1/ AM2 Attendant Control and Recline Plastics | 13 |

1.4. Curtis thru AAM Tilt Assy's

| | |
|---|----|
| TB2 Tilt, AAM, Master Assembly, After 1/2/12 | 15 |
| TB2 Tilt, AAM, Master Assembly, Before 1/2/12 | 19 |
| TB2 Tilt, AAM, Harnesses | 23 |
| TB2 Tilt, AAM, Hardware | 25 |

1.5. Remote Plus ALM / ALM5L Assy's

| | |
|---|----|
| Remote Plus, ALM-ALM5L Master Level Table | 27 |
| Remote Plus, ALM-ALM5L Harnesses | 29 |
| Remote Plus, ALM-ALM5L Hardware | 31 |

1.6. Remote Plus Switch-it Tilt Assy's

| | |
|---|----|
| Remote Plus / Switch-it, Tilt Master Assembly and Switch-it Box | 33 |
| Remote Plus / Switch-it, Tilt Harnesses | 35 |
| Remote Plus / Switch-it, Tilt Hardware | 37 |

1.7. Dynamic Shark/ PG Drives VSI & VR2 Assy's

| | |
|--|----|
| TB2 Electronics, Shark, VSI, VR2 Harnesses and Pressure Pads | 38 |
|--|----|

2. Recline

2.1. Curtis thru AM1 / AM2 Assy's

| | |
|---|----|
| AM1/ AM2, Master Assembly and Modules, After 1/2/12 | 41 |
| AM1/AM2, Master Assembly and Modules, Before 1/2/12 | 43 |
| AM1/ AM2, Harnesses and Hardware | 45 |
| AM1/ AM2 Attendant Control and Recline Plastics | 47 |

2.2. Curtis thru AAM Recline Assy's

| | |
|--|----|
| TB2 Recline, AAM, Master Assembly, After 1/2/12 | 49 |
| TB2 Recline, AAM, Master Assembly, Before 1/2/12 | 51 |
| TB2 Recline, AAM, Harnesses | 53 |
| TB2 Recline, AAM, Hardware | 55 |

2.3. Remote Plus Switch-it Recline Assy's

| | |
|---|----|
| Remote Plus / Switch-it, Recline, Master Assembly and Switch-it Box | 57 |
| Remote Plus / Switch-it, Recline, Harnesses | 59 |
| Remote Plus / Switch-it, Recline Hardware | 61 |

3. Tilt & Recline

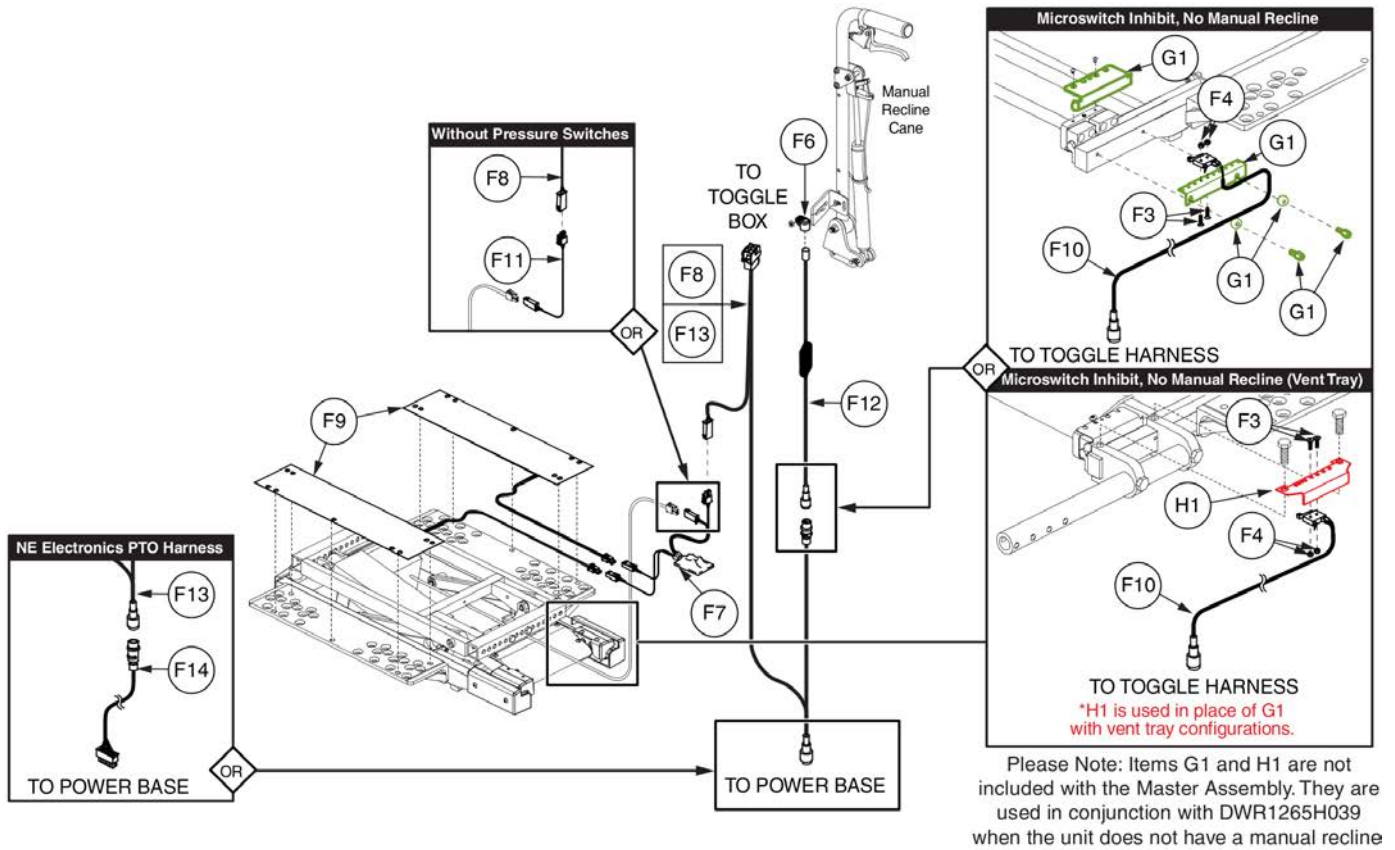
3.1. Curtis thru AM1 / AM2 Assy's

| | |
|---|----|
| AM1/ AM2, Master Assembly and Modules, After 1/2/12 | 62 |
| AM1/AM2, Master Assembly and Modules, Before 1/2/12 | 65 |
| AM1/ AM2, Harnesses and Hardware | 67 |

| | |
|--|-----|
| AM1/ AM2 Attendant Control and Recline Plastics | 69 |
| 3.2. Curtis thru AAM Tilt & Recline Assy's | |
| TB2 Tilt and Recline, AAM Master Assembly, After 1/2/12 | 71 |
| TB2 Tilt and Recline, AAM Master Assembly, Before 1/2/12 | 75 |
| TB2 Tilt and Recline, AAM, Harnesses | 77 |
| TB2 Tilt and Recline, AAM, Hardware | 79 |
| 3.3. Remote Plus Switch-it Tilt & Recline Assy's | |
| Remote Plus / Switch-it, Tilt and Recline, Master Assembly and Switch-it Box | 81 |
| Remote Plus / Switch-it, Tilt and Recline Harnesses | 83 |
| Remote Plus / Switch-it, Tilt and Recline Hardware | 85 |
| Remote Plus / Switch-it, Tilt and Recline, Attendant Control Hardware | 86 |
| 3.4. Dynamic Shark/ PG Drives VSI & VR2 Assy's | |
| TB2 Electronics, Shark, VSI, VR2 Harnesses and Pressure Pads | 88 |
| 4. Lift & Tilt | |
| Q-Logic Electronics, TB2 Lift and Tilt (Config #40) | 91 |
| Q-Logic w/ Attendant Control Electronics, TB2 Lift and Tilt (Config #40) | 93 |
| Q-Logic w/ Ind Legs Electronics, TB2 Lift and Tilt (Config #41) | 95 |
| Q-Logic w/ Ind Legs and Attendant Control Electronics, TB2 Lift and Tilt (Config #41) | 97 |
| Q-Logic w/ Comb Legs Electronics, TB2 Lift and Tilt (Config #42) | 99 |
| Q-Logic w/ Comb Legs and Attendant Control, TB2 Lift and Tilt (Config #42) | 101 |
| Q-Logic w/ AFP Electronics, TB2 Lift and Tilt (Config #43) | 103 |
| Q-Logic w/ AFP and Attendant Control Electronics, TB2 Lift and Tilt (Config #43) | 105 |
| Elevate Inhibit Retro Kit, TB2 Lift and Tilt | 107 |
| Multiplier & Top Cover Mounting, TB2 Tilt and Recline | 109 |
| Electrical System Diagrams | |
| TB2 Lift and Tilt, Electrical System Diagram | 111 |
| TB2 Lift and Tilt w/ Attendant Control, Electrical System Diagram | 112 |
| TB2 Lift and Tilt w/ Independent Legs Electrical System Diagram | 114 |
| TB2 Lift and Tilt w/ Independent Legs and Attendant Control, Electrical System Diagram | 116 |
| TB2 Lift and Tilt w/ Combined Legs, Electrical System Diagram | 118 |
| TB2 Lift and Tilt w/ Combined Legs and Attendant Control, Electrical System Diagram | 120 |
| TB2 Lift and Tilt w/ AFP, Electrical System Diagram | 122 |
| TB2 Lift and Tilt w/ AFP and Attendant Control, Electrical System Diagram | 124 |
| 5. Lift, Tilt, & Recline | |
| Q-Logic Electronics, TB2 Lift, Tilt and Recline (Config #44) | 126 |
| Q-Logic w/ Ind Legs Electronics, TB2 Lift, Tilt and Recline (Config #45) | 129 |
| Q-Logic w/ Combined Legs Electronics, TB2 Lift, Tilt and Recline (Config #46) | 133 |
| Q-Logic w/ AFP Electronics, TB2 Lift, Tilt and Recline (Config #47) | 135 |
| Multiplier & Top Cover Mounting, TB2 Tilt and Recline | 137 |
| Elevate Inhibit Retro Kit, TB2 Lift and Tilt | 139 |
| Electrical System Diagrams | |
| TB2 Lift, Tilt, and Recline, Electrical System Diagram | 141 |
| TB2 Lift, Tilt, and Recline w/ Independent Legs, Electrical System Diagram | 142 |
| TB2 Lift, Tilt, and Recline w/ Combined Legs, Electrical System Diagram | 144 |
| TB2 Lift, Tilt, and Recline w/ AFP, Electrical System Diagram | 146 |
| 6. Electronics Box Assy's | |
| 9. Standard Electronics Box Assy's | |
| Electronics Box - ALM - Solid Back Plate/ Cane Mount, TB2 | 148 |
| Electronics Box - AAM - Solid Back Plate/ Cane Mount, TB2 | 151 |
| Electronics Box - Switch-it - Solid Back Plate/ Cane Mount, TB2 | 153 |
| Electronics Box - SingleSwitch - Solid Back Plate/ CaneMount, TB2 | 155 |

| | |
|---|-----|
| Electronics Box to Push Bar Mounting Bracket, TB2 | 157 |
| 10. Compact Electronics Box Assy's | |
| Electronics Box - Compact, Solid Back, TB2 | 159 |
| Electronics Box - Compact, TB2 | 161 |
| Electronics Mount - Compact Ele Box, thru Toggle, TB2 | 163 |
| Electronics Mount - Compact Ele Box, thru Toggle, Solid Back, TB2 | 165 |
| Electronics Mount - Compact Box Bracket, Offset, 10"-28", TB2 | 167 |
| 7. Curtis LED Light Assy's | |
| Q-Logic, LED Lights, TB2 Tilt or Tilt and Recline | 169 |
| Q-Logic, LED Lights, Power Seat w/ Tilt or Tilt and Recline | 171 |
| Q-Logic, LED Lights, TB2 Recline | 173 |
| 8. Toggle & Push Button User Controls | |
| High Power Toggle and Mount, Tubular Arms | 175 |
| Seating Controls and Mounts, Tubular Arms | 177 |
| 4 Way Seating Controls for AAM and Switch-it | 179 |
| 9. Curtis Stand-alone Charger Port Assy | |
| Curtis Stand Alone Charger Port | 181 |
| Appendix A:Pages Index | 183 |
| Appendix B:Parts Index | 184 |

1.1. Tilt thru Toggle



Master assemblies are not pickable from table, please select from parts list

| Tilt through Toggle with... | Master Assembly | F1 | F2 | F3 | F4 | F5 | F6 | F7 | F8 | F9 | F10 | F11 | F12 | F13 | F14 | *G1 | *H1 |
|---|-----------------|----|----|----|----|----|----|----|----|----|-----|-----|-----|-----|-----|-----|-----|
| ..Pressure Switches | A1 ELEASMB6389 | 5 | 1 | 2 | 2 | | | 1 | 1 | 2 | 1 | | | | | 2 | 1 |
| ..No Pressure Switches | B1 ELEASMB6395 | 5 | 1 | 2 | 2 | | | | 1 | | 1 | 1 | | | | 2 | 1 |
| ..Manual Recline and Pressure Switches | C1 ELEASMB5147 | 5 | 1 | | | 1 | 1 | 1 | 1 | 2 | | | 1 | | | | |
| ..Manual Recline and No Pressure Switches | D1 ELEASMB5520 | 5 | 1 | | | 1 | 1 | | 1 | | | | 1 | 1 | | | |
| ..NE Electronics Only | E1 ELEASMB6031 | 5 | 1 | 2 | 2 | | | 1 | | 2 | 1 | | | 1 | 1 | 2 | 1 |
| | Master Assembly | F1 | F2 | F3 | F4 | F5 | F6 | F7 | F8 | F9 | F10 | F11 | F12 | F13 | F14 | *G1 | *H1 |

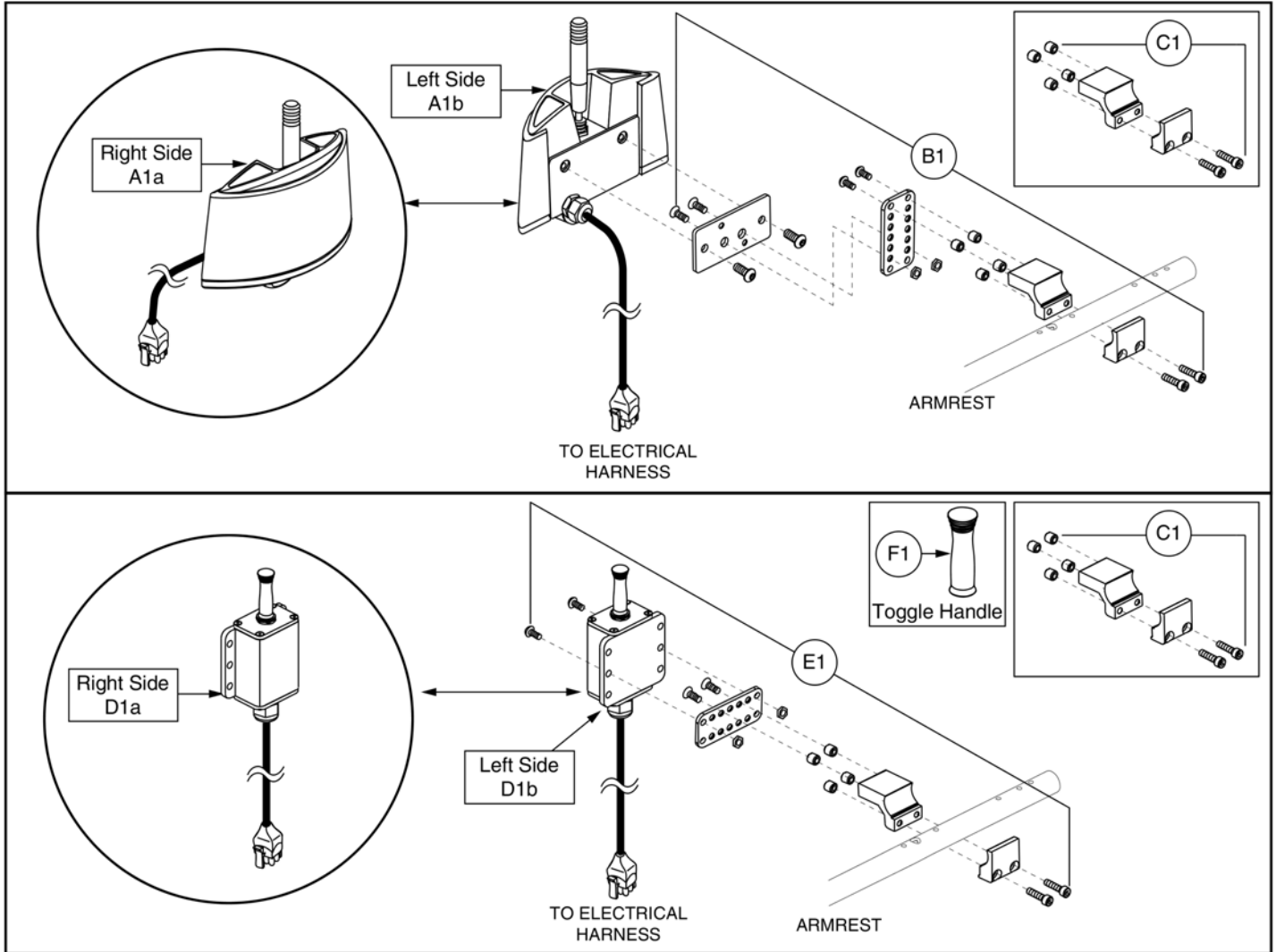
The numbers within the table represent the quantity of each harness for each configuration.

Tilt thru Toggle Harness and Inhibit Assy



| Item | Part No. | Name | Qty |
|------|--------------|--|-----|
| A1 | ELEASMB6389 | REMOTE PLUS/VS1/VR2/SHARK/Q-LOGIC/NE+,THRU HIGH POWER TOGGLE,W/PRESSURE SWITCH,TB2 TILT | 1 |
| B1 | ELEASMB6395 | REMOTE PLUS/VS1/VR2/Q-LOGIC/NE+,THRU HIGH POWER TOGGLE,TB2 TILT | 1 |
| C1 | ELEASMB5147 | REMOTE PLUS/Q-LOGIC/VS1/VR2/SHARK/NE+,THRU HIGH POWER TOGGLE,W/MANUAL RECLINE,W/PRESSURE SWITCH,TB2 TILT | 1 |
| D1 | ELEASMB5520 | REMOTE PLUS/Q-LOGIC/VS1/VR2/NE+,THRU HIGH POWER TOGGLE,W/MANUAL RECLINE,TB2 TILT | 1 |
| E1 | ELEASMB6031 | NE,THRU HIGH POWER TOGGLE,W/PRESSURE SWITCH,TB2 TILT | 1 |
| F1 | PLSTIE1004 | TIE WRAP,BLACK,8" | 1 |
| F2 | | ELECTRONIC,WRAP,3/8"D,1 FT, SPIRAL | 1 |
| F3 | SCRPFH1076 | SCREW,PFH,STAINLESS STEEL,2-56 X 0.50" | 1 |
| F4 | NUTNYLK1106 | NUT,NYLOCK,BLACK ZINC,2-56,GRADE 2 | 1 |
| F5 | SCRASBH1148 | SCREW,BHSCS,BLACK ZINC,1/4-20 X 0.50",W/PATCH | 1 |
| F6 | CLPCBLC1025 | CLAMP,CABLE,STEEL,0.50" DIA,RUBBER COATED | 1 |
| F7 | DWR1265H011 | ELECTRONIC,HARNESS,TAPE SWITCH RELAY,GEN 2,TB2 TILT | 1 |
| F8 | DWR1265H012 | HARNESS,POWER/INHIBIT EXTENSION,FOR TOGGLE,TILT | 1 |
| F9 | DWR1265H001 | ELECTRONIC,SWITCH,PRESSURE,ANTI-PINCH,TB2 TILT | 1 |
| F10 | DWR1265H039 | HARNESS,MICROSWITCH INHIBIT,TILT | 1 |
| F11 | DWR1265H028 | HARNESS,TAPE SWITCH RELAY BY-PASS,TILT | 1 |
| F12 | ELE142519 | HARNESS,COMBINATION,INHIBIT,MANUAL TILT,ROHS | 1 |
| F13 | DWR1265H052 | ELECTRONIC,HARNESS,TILT THROUGH TOGGLE,NE,H-1265-052 | 1 |
| F14 | DWR1265H057 | ELECTRONIC,HARNESS,PTO ONLY,NE,H-1265-057 | 1 |
| G1 | FRMASMB14496 | MOUNTING BRACKET,ASSY,INHIBIT MICROSWITCH,TB2 TILT | 1 |
| H1 | | MOUNTING BRACKET,INHIBIT MICROSWITCH,TB2 TILT,ARTICULATING VENT TRAY | 1 |

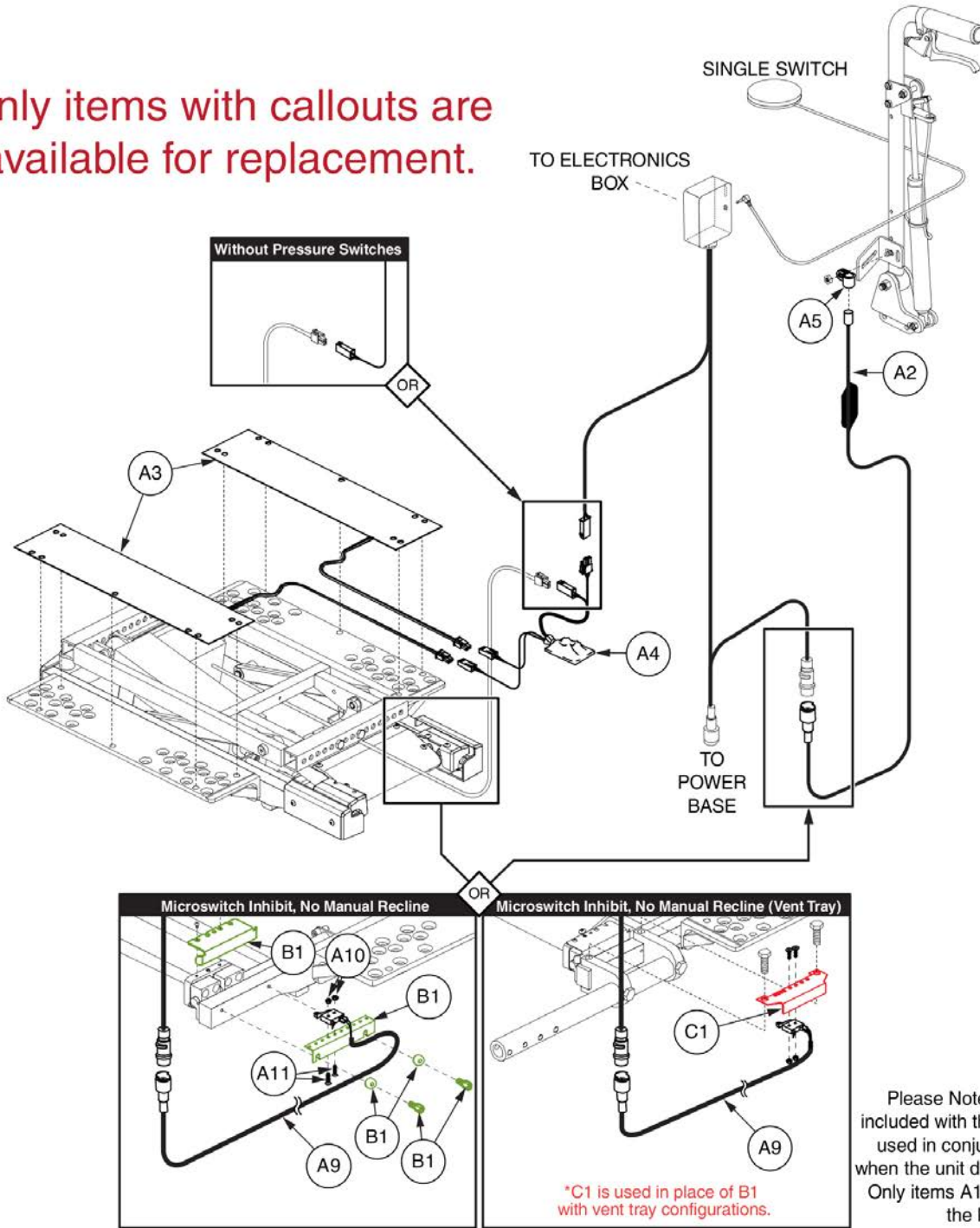
1.1. Tilt thru Toggle



| Item | Part No. | Name | Qty |
|------|--------------|--|-----|
| A1a | | ELECTRONIC,ASSY,TOGGLE BOX,ERGONOMIC,REMOTE PLUS/EUROPA,VSI,W/VERSA/SYNERGY MOUNTING BLOCK,RIGHT | 1 |
| A1b | | ELECTRONIC,ASSY,TOGGLE BOX,ERGONOMIC,REMOTE PLUS/EUROPA/VSI,W/VERSA/SYNERGY MOUNTING BLOCK,LEFT | 1 |
| B1 | | MOUNTING BRACKET,ASSY,HIGH POWER TOGGLE BOX,W/MOUNTING HARDWARE | 1 |
| C1 | FRMASMB8929 | MOUNTING BRACKET,ASSY,TOGGLE BOX,W/THREADED INSERTS | 1 |
| D1a | ELEASMB5157 | ELECTRONIC,ASSY,HIGH POWER TOGGLE BOX,W/MOUNTING BRACKET,RIGHT | 1 |
| D1b | ELEASMB5156 | ELECTRONIC,ASSY,HIGH POWER TOGGLE BOX,W/MOUNTING BRACKET,LEFT | 1 |
| E1 | FRMASMB11354 | MOUNTING BRACKET,ASSY,HIGH POWER TOGGLE BOX,W/MOUNTING HARDWARE,MULTI-POSITIONAL | 1 |
| F1 | DWR1000C390 | KNOB,BLACK,RUBBER,TOGGLE BOX,C-1000-390 | 1 |

1.2. Tilt thru Single Switch

Only items with callouts are available for replacement.



Please Note: Items B1 and C1 are not included with the Master Assembly. They are used in conjunction with DWR1265H039 when the unit does not have a manual recline. Only items A1 thru A11 may be included in the Master Assemblies.

| Single Switch through Current Limit Box and... | Master Assembly | A1 | A2 | A3 | A4 | A5 | A6 | A7 | A8 | A9 | A10 | A11 | *B1 | *C1 |
|--|-----------------|-----|----|----|----|----|----|----|----|----|-----|-----|-----|-----|
| ..with Pressure Switches | N/A | N/A | | 2 | 1 | | | 4 | 1 | 1 | 2 | 2 | 1 | 1 |
| ..No Pressure Switches | N/A | N/A | | | | | | 4 | 1 | 1 | 2 | 2 | 1 | 1 |
| ..Manual Recline with Pressure Switches | N/A | N/A | 1 | 2 | 1 | 1 | 1 | 4 | 1 | | | | | |
| ..Manual Recline, No Pressure Switches | N/A | N/A | 1 | | | 1 | 1 | 4 | 1 | | | | | |

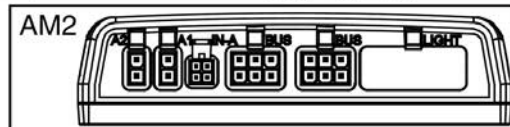
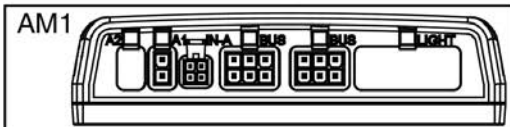
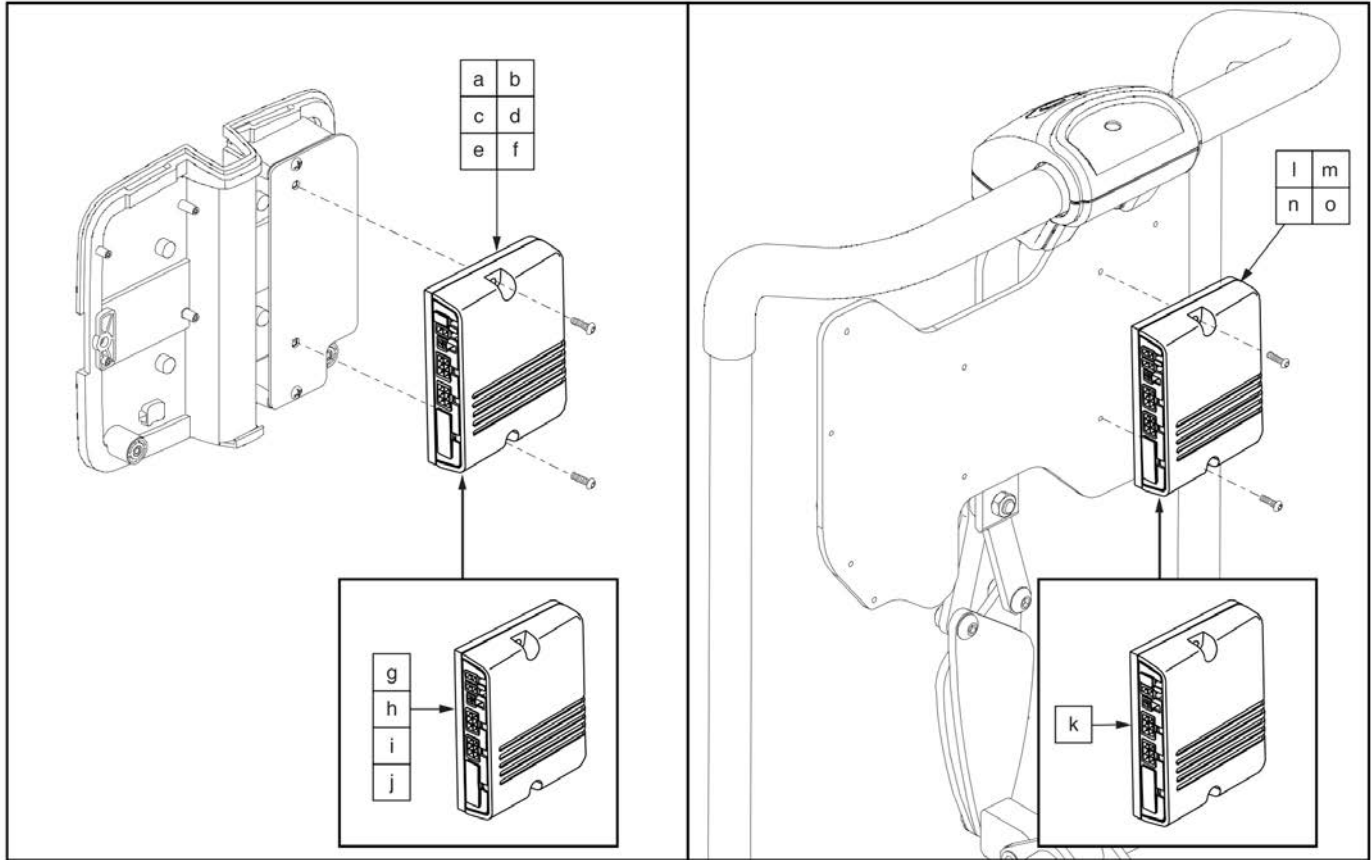
The numbers within the table represent the quantity of each harness for each configuration.

TB2 Single Switch through Current Limit Box



| Item | Part No. | Name | Qty |
|------|--------------|--|-----|
| A2 | ELE142519 | HARNES,COMBINATION,INHIBIT,MANUAL TILT,ROHS | 1 |
| A3 | DWR1265H001 | ELECTRONIC,SWITCH,PRESSURE,ANTI-PINCH,TB2 TILT | 1 |
| A4 | DWR1265H011 | ELECTRONIC,HARNES,TAPE SWITCH RELAY,GEN 2,TB2 TILT | 1 |
| A5 | CLPCBLC1025 | CLAMP,CABLE,STEEL,0.50" DIA,RUBBER COATED | 1 |
| A6 | SCRASBH1148 | SCREW,BHSCS,BLACK ZINC,1/4-20 X 0.50",W/PATCH | 1 |
| A7 | PLSTIE1004 | TIE WRAP,BLACK,8" | 1 |
| A8 | | ELECTRONIC,WRAP,3/8"D,1 FT,SPIRAL | 1 |
| A9 | DWR1265H039 | HARNES,MICROSWITCH INHIBIT,TILT | 1 |
| A10 | NUTNYLK1106 | NUT,NYLOCK,BLACK ZINC,2-56,GRADE 2 | 1 |
| A11 | SCRPFH1076 | SCREW,PFH,STAINLESS STEEL,2-56 X 0.50" | 1 |
| B1 | FRMASMB14496 | MOUNTING BRACKET,ASSY,INHIBIT MICROSWITCH,TB2 TILT | 1 |
| C1 | | MOUNTING BRACKET,INHIBIT MICROSWITCH,TB2 TILT,ARTICULATING VENT TRAY | 1 |

1.3. Curtis thru AM1 / AM2 Assy's



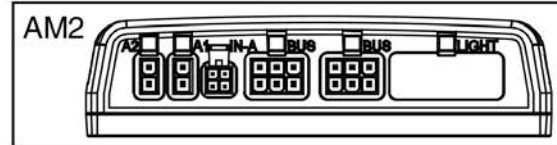
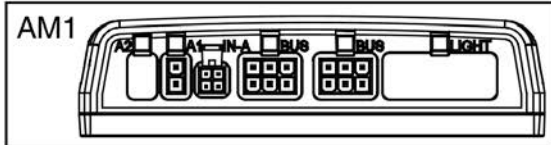
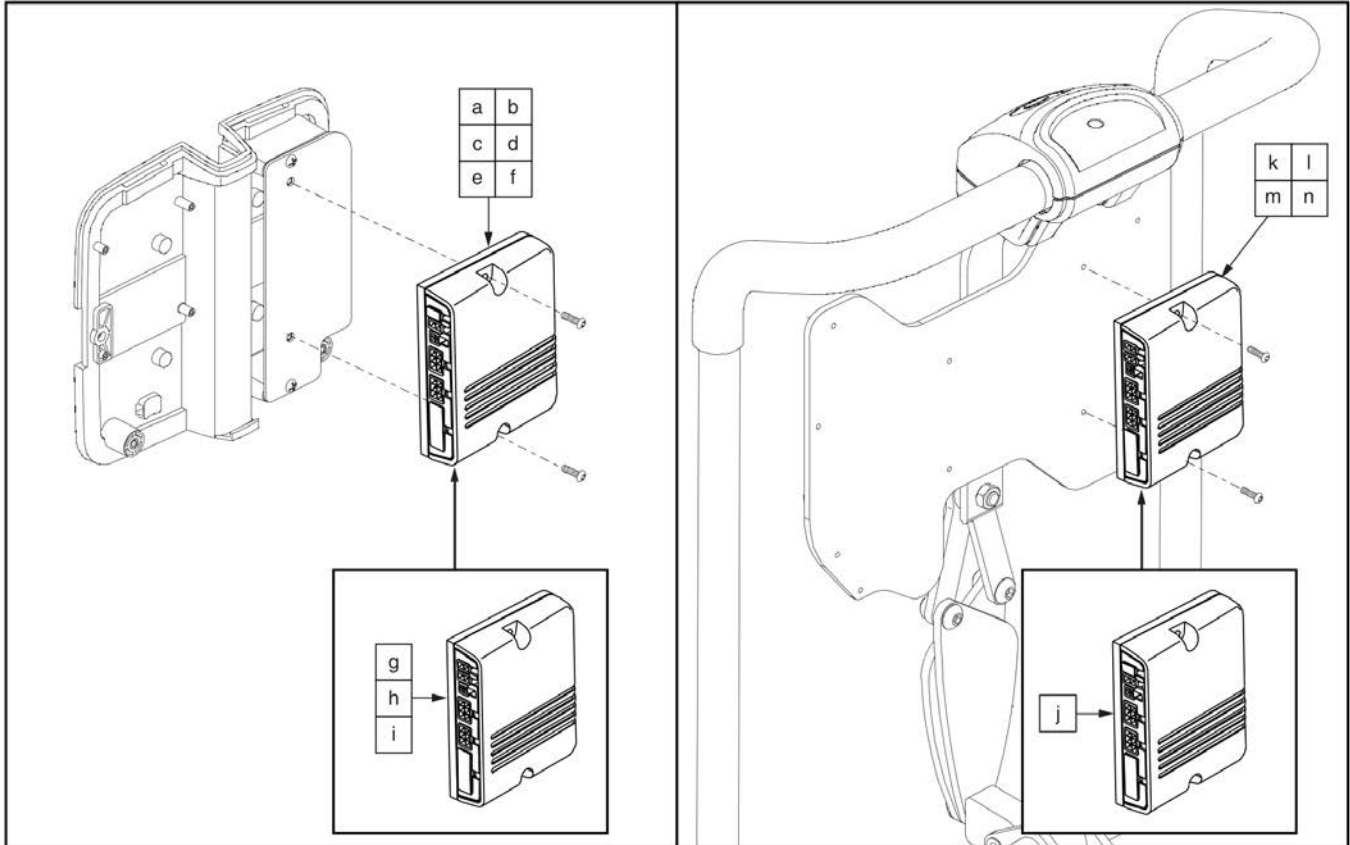
| | | |
|---------------------------------------|-------------------------|--------------------------------|
| Tilt (AM1) and... | *Master Assembly | Module w/ Programming ⚠ |
| R4000/ Q614, No Pressure Switches | A1 ELEASMB7102 | a/b ELEASMB6578 |
| R4000/ Q614 with Pressure Switches | B1 ELEASMB6574 | a/b ELEASMB6578 |
| Manual Recline with Pressure Switches | C1 ELEASMB6036 | c/d/e/f ELEASMB6043 |
| Manual Recline, No Pressure Switches | D1 ELEASMB7100 | c/d/e/f ELEASMB6043 |
| No Pressure Switches | E1 ELEASMB6573 | c/d/e/f ELEASMB6043 |
| Pressure Switches | F1 ELEASMB6035 | c/d/e/f ELEASMB6043 |
| Tilt (AM2) and... | *Master Assembly | Module w/ Programming ⚠ |
| AFP, No Pressure Switches | G1 ELEASMB7101 | g/h ELEASMB6433 |
| AFP with Pressure Switches | H1 ELEASMB6429 | g/h ELEASMB6433 |
| Elevate | I1 ELEASMB7159 | i ELEASMB7162 |
| R44 AFP, No Pressure Switches | J1 ELE121679 | j ELE121680 |
| Recline and... | *Master Assembly | Module w/ Programming ⚠ |
| Recline Only (AM1) | K1 ELEASMB6640 | k ELEASMB6045 |
| AFP (AM2) | L1 ELEASMB6641 | l ELEASMB6435 |
| Elevate (AM2) | M1 ELEASMB7160 | m ELEASMB7163 |
| Tilt, Recline, and... | *Master Assembly | Module w/ Programming ⚠ |
| Pressure Switches (AM2) | N1 ELEASMB6639 | n/o ELEASMB6044 |
| No Pressure Switches (AM2) | O1 ELEASMB7103 | n/o ELEASMB6044 |

⚠ Actuator Module Replacement ⚠
****Modules shown here are ONLY compatible with units manufactured AFTER January 2, 2012.****

*Master assemblies contain AM1 or AM2 modules in addition to harnesses and hardware components, which are not shown.
 Reference component pages for illustrations and parts lists with the Master Assembly part number in the table. Lower-case letters designate modules in assemblies with the matching upper-case letter.

| Item | Part No. | Name | Qty |
|---------|-------------|--|-----|
| A1 | ELEASMB7102 | NE+/Q-LOGIC THRU AM1,TB2 TILT,TILT,45°,(CONF. #20) | 1 |
| B1 | ELEASMB6574 | NE+/Q-LOGIC THRU AM1,TB2TILT,TILT,45°,W/PRESSURE SWITCH (CONF. #20) | 1 |
| C1 | ELEASMB6036 | NE+,TB2 TILT,TILT THRU JOYSTICK W/MANUAL RECLINE,W/PRESSURE SWITCH (CONF. #20) | 1 |
| D1 | ELEASMB7100 | NE+,TB2 TILT,TILT THRU JOYSTICK W/MANUAL RECLINE,W/O PRESSURE SWITCH,(CONF. #20) | 1 |
| E1 | ELEASMB6573 | NE+/Q-LOGIC THRU AM1,TILT,W/O PRESSURE SWITCH,TB2 TILT,(CONF. #20) | 1 |
| F1 | ELEASMB6035 | NE+/Q-LOGIC THRU AM1,TB2 TILT,TILT THRU JOYSTICK,W/PRESSURE SWITCH (CONF. #20) | 1 |
| G1 | ELEASMB7101 | NE PLUS,TB2 TILT,TILT/POWER ARTICULATING FOOT PLATFORM,THRU JOYSTICK,W/O PRESSURE SWITCH,(CONF. #23) | 1 |
| H1 | ELEASMB6429 | NE PLUS,TB2 TILT,TILT/POWER ARTICULATING FOOT PLATFORM,THRU JOYSTICK,W/PRESSURE SWITCH (CONF. #23) | 1 |
| I1 | ELEASMB7159 | NE PLUS,TB2 TILT,TILT/ELEVATE,THRU JOYSTICK,(CONF.#24) | 1 |
| J1 | ELE121679 | NE PLUS,TILT,AFP,THRU JOYSTICK,45°,(CONF. #23) | 1 |
| K1 | ELEASMB6640 | NE PLUS,TB2 RECLINE,RECLINE ONLY,(CONF. #08) | 1 |
| L1 | ELEASMB6641 | NE PLUS,TB2 RECLINE,RECLINE/POWER AFP,W/INDEPENDENTLY CONTROLLED POWER AFP,(CONF. #11) | 1 |
| M1 | ELEASMB7160 | NE PLUS,TB2 RECLINE,RECLINE/ELEVATE,(CONF. #14) | 1 |
| N1 | ELEASMB6639 | NE PLUS,TB2 TILT & RECLINE,TILT/RECLINE,W/PRESSURE SWITCH (CONF. #28) | 1 |
| O1 | ELEASMB7103 | NE PLUS,TB2 TILT & RECLINE,TILT/RECLINE,W/O PRESSURE SWITCH,(CONF. #28) | 1 |
| a/b | ELEASMB6578 | AM1 MODULE,W/PROGRAMMING,TB2 TILT,R4000/Q614,(CONF.#20) | 1 |
| c/d/e/f | ELEASMB6043 | AM1,TILT ONLY,(CONFIG.#20) | 1 |
| g/h | ELEASMB6433 | AM2,TILT W/AFP,(CONFIG.#23) | 1 |
| i | ELEASMB7162 | AM2,LIFT & TILT,(CONFIG.#24) | 1 |
| j | ELE121680 | NE+ AM2 MODULE,TILT/AFP,45°,(CONF. #23) | 1 |
| k | ELEASMB6045 | AM1,RECLINE ONLY,(CONFIG.#8) | 1 |
| l | ELEASMB6435 | AM2,RECLINE W/AFP,(CONFIG.#11) | 1 |
| m | ELEASMB7163 | AM2,LIFT & RECLINE,(CONFIG.#14) | 1 |
| n/o | ELEASMB6044 | AM2,TILT & RECLINE,(CONFIG.#28) | 1 |

1.3. Curtis thru AM1 / AM2 Assy's



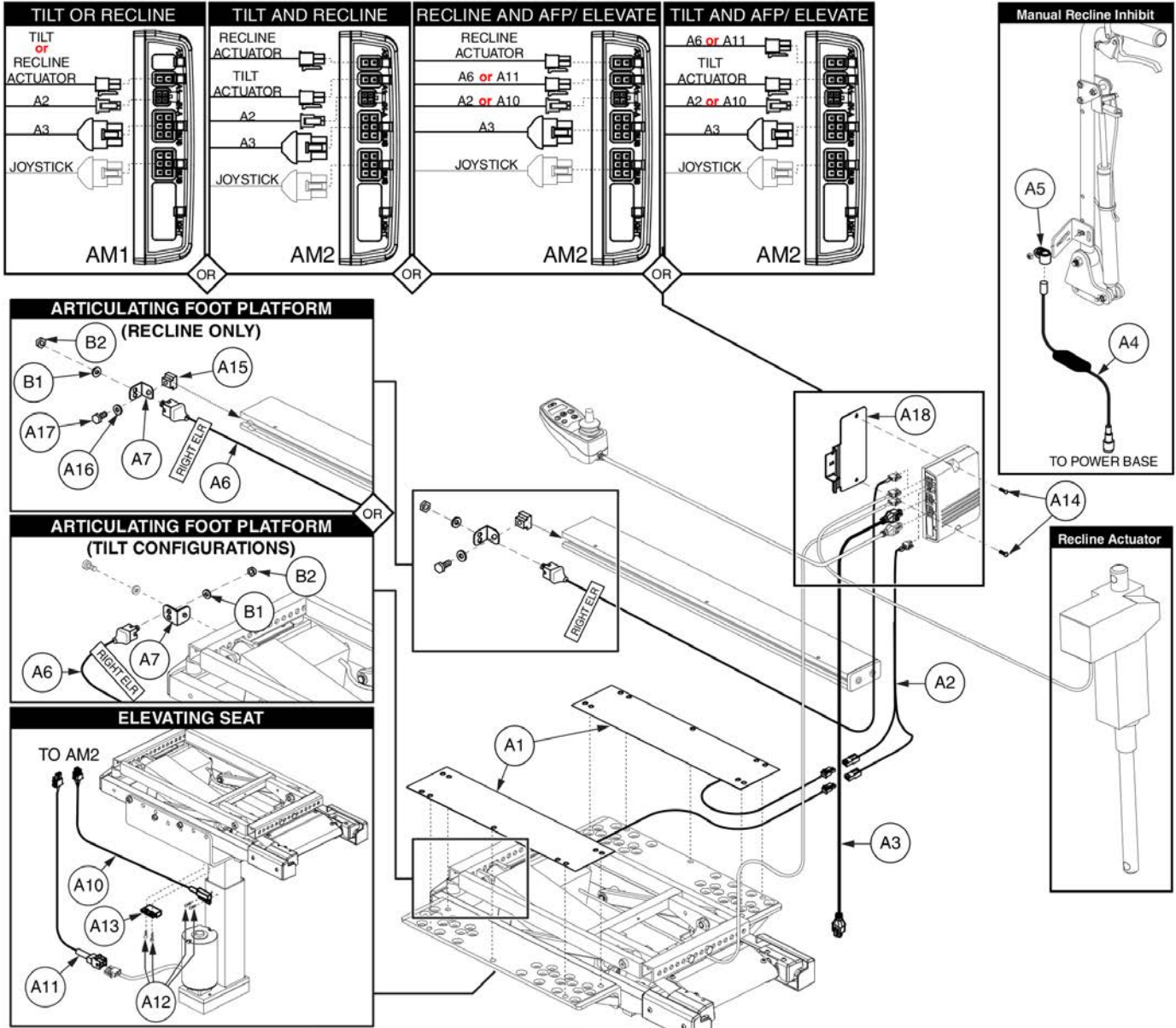
| Tilt (AM1) and... | *Master Assembly | Module w/ Programming ⚠ |
|---|---------------------|--------------------------|
| R4000/ Q614, No Pressure Switches | A1 ELEASMB7110169 | a/b ELEASMB7110038 |
| R4000/ Q614 with Pressure Switches | B1 ELEASMB7110165 | a/b ELEASMB7110038 |
| Manual Recline with Pressure Switches | C1 ELEASMB7110161 | c/d/e/f ELEASMB7110036 |
| Manual Recline, No Pressure Switches | D1 ELEASMB7110166 | c/d/e/f ELEASMB7110036 |
| No Pressure Switches | E1 ELEASMB7110163 | c/d/e/f ELEASMB7110036 |
| Pressure Switches | F1 ELEASMB7110158 | c/d/e/f ELEASMB7110036 |
| Tilt (AM2) and... | *Master Assembly | Module w/ Programming ⚠ |
| Articulating Foot Platform, No Pressure Switches | G1 ELEASMB7110168 | g/h ELEASMB7110037 |
| Articulating Foot Platform with Pressure Switches | H1 ELEASMB7110162 | g/h ELEASMB7110037 |
| Elevate | I1 ELEASMB7110171 | i ELEASMB7110039 |
| Recline and.. | *Master Assembly | Module w/ Programming ⚠ |
| Recline Only (AM1) | J1 ELEASMB7110176 | j ELEASMB7110041 |
| Articulating Foot Platform (AM2) | K1 ELEASMB7110178 | k ELEASMB7110042 |
| Elevate (AM2) | L1 ELEASMB7110179 | l ELEASMB7110043 |
| Tilt, Recline, and... | *Master Assembly | Module w/ Programming ⚠ |
| Pressure Switches (AM2) | M1 ELEASMB7110172 | m/n ELEASMB7110040 |
| No Pressure Switches (AM2) | N1 ELEASMB7110174 | m/n ELEASMB7110040 |

⚠ Actuator Module Replacement ⚠
 Modules shown here are **ONLY compatible with units manufactured **BEFORE** January 2, 2012.**

*Master assemblies contain AM1 or AM2 modules in addition to harnesses and hardware components, which are not shown.
 Reference component pages for illustrations and parts lists with the Master Assembly part number in the table. Lower-case letters designate modules in assemblies with the matching upper-case letter.

| Item | Part No. | Name | Qty |
|---------|----------------|---|-----|
| A1 | ELEASMB7110169 | ELECTRONIC,ASSY,TB2 TILT,TILT,R4000/Q614,(CONF. #20) | 1 |
| B1 | ELEASMB7110165 | NE+/Q-LOGIC THRU AM1 (FW 1.16),TB2 TILT,TILT,R4000/Q614,W/PRESSURE SWITCH (CONF. #20) | 1 |
| C1 | ELEASMB7110161 | NE+ (FW 1.16),TB2 TILT,TILT THRU JOYSTICK W/MANUAL RECLINE,W/PRESSURE SWITCH (CONF. #20) | 1 |
| D1 | ELEASMB7110166 | NE PLUS (FW 1.16),TB2 TILT,TILT THRU JOYSTICK W/MANUAL RECLINE,(CONF. #20) | 1 |
| E1 | ELEASMB7110163 | NE+/Q-LOGIC THRU AM1(FW 1.16),TB2 TILT,TILT,(CONF.#20) | 1 |
| F1 | ELEASMB7110158 | NE+/Q-LOGIC THRU AM1 (FW 1.16),TB2TILT,TILT THRU JOYSTICK,W/PRESSURE SWITCH (CONF. #20) | 1 |
| G1 | ELEASMB7110168 | NE PLUS (FW 1.16),TB2 TILT,TILT/AFP,THRU JOYSTICK,(CONF. #23) | 1 |
| H1 | ELEASMB7110162 | NE PLUS (FW 1.16),TB2 TILT,TILT/ARTICULATING FOOT PLATFORM,THRU JOYSTICK,W/PRESSURE SWITCH (CONF. # 23) | 1 |
| I1 | ELEASMB7110171 | NE PLUS (FW 1.16),TB2 TILT,TILT/ELEVATE,THRU JOYSTICK,(CONF.# 24) | 1 |
| J1 | ELEASMB7110176 | NE PLUS (FW 1.16),TB2 RECLINE,RECLINE ONLY,(CONF. #08) | 1 |
| K1 | ELEASMB7110178 | NE PLUS (FW 1.16),TB2 RECLINE,RECLINE/POWER AFP,W/INDEPENDENTLY CONTROLLED POWER AFP,(CONF. #11) | 1 |
| L1 | ELEASMB7110179 | NE PLUS(FW 1.16),TB2 RECLINE,RECLINE/ELEVATE,(CONF.#14) | 1 |
| M1 | ELEASMB7110172 | NE PLUS (FW 1.16),TB2 TILT & RECLINE,TILT/RECLINE,W/PRESSURE SWITCH (CONF. #28) | 1 |
| N1 | ELEASMB7110174 | NE PLUS (FW 1.16),TB2 TILT & RECLINE,TILT/RECLINE,(CONF. #28) | 1 |
| a/b | ELEASMB7110038 | AM1 MODULE (FW 1.16),W/PROGRAMMING,TB2 TILT,R4000/Q614,(CONF. #20) | 1 |
| c/d/e/f | ELEASMB7110036 | AM1 MODULE(FW 1.16),W/PROGRAMMING,TB2 TILT,(CONF. #20) | 1 |
| g/h | ELEASMB7110037 | NE+ AM2 MODULE (FW 1.16),W/PROGRAMMING,TB2 TILT/POWER FOOT PLATFORM,(CONF. #23) | 1 |
| i | ELEASMB7110039 | NE+ AM2 MODULE(FW 1.16),W/PROGRAMMING,TB2,TILT/ELEVATE,(CONF. #24) | 1 |
| j | ELEASMB7110041 | AM1 MODULE (FW 1.16),W/PROGRAMMING,TB2 RECLINE,(CONF. #8) | 1 |
| k | ELEASMB7110042 | NE+ AM2 MODULE (FW 1.16),W/PROGRAMMING,TB2 RECLINE/POWER FOOT PLATFORM,(CONF. #11) | 1 |
| l | ELEASMB7110043 | NE+ AM2 MODULE (FW 1.16),W/ PROGRAMMING,TB2 RECLINE/ELEVATE,(CONF. #14) | 1 |
| m/n | ELEASMB7110040 | NE+ AM2 MODULE (FW 1.16),W/PROGRAMMING,TB2 TILT/RECLINE,(CONF. #28) | 1 |

1.3. Curtis thru AM1 / AM2 Assy's

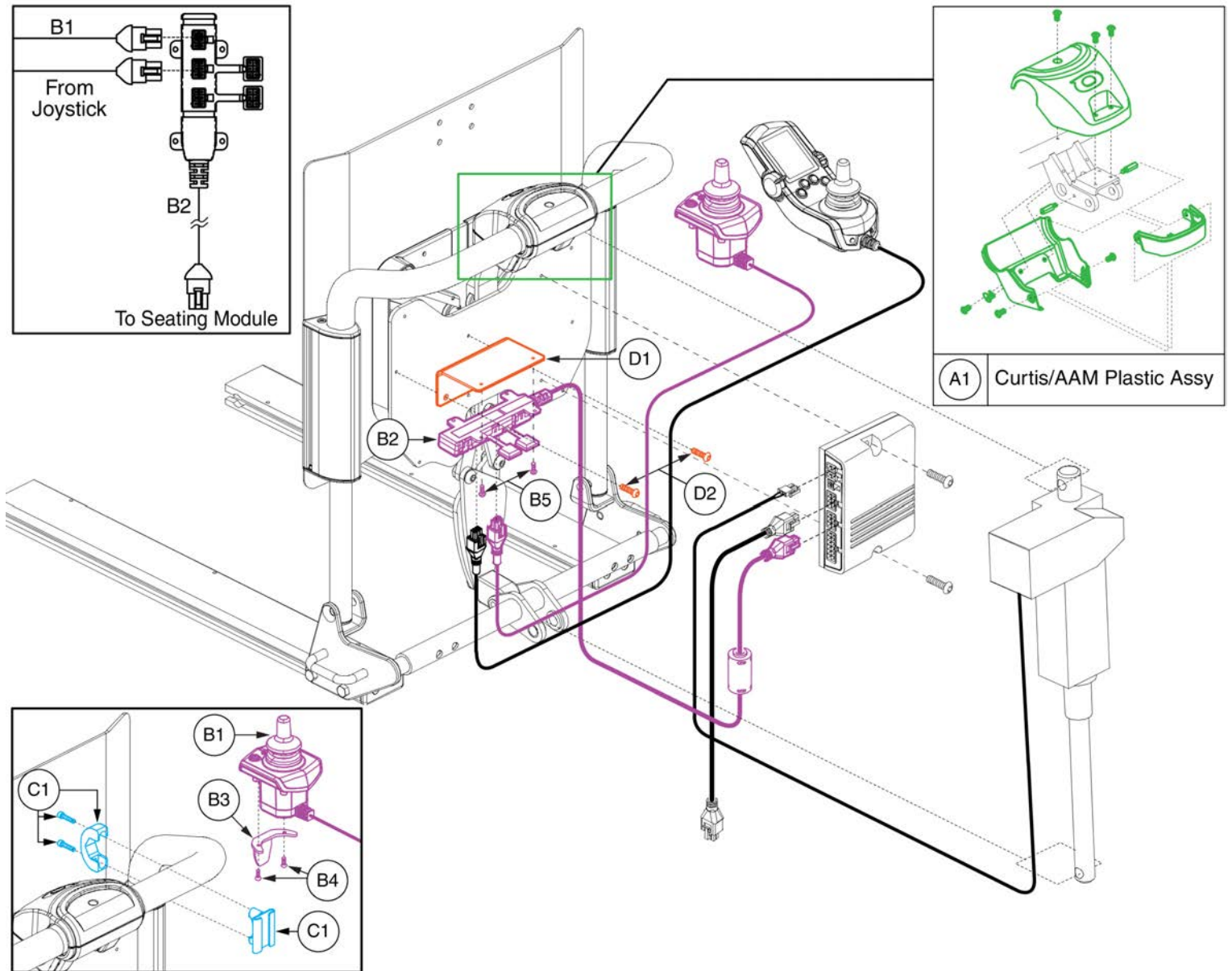


| | Master Assembly | | Parts are not pickable from table, please use parts list to select | | | | | | | | | | | | | | | | | | | | |
|------------------------------------|-----------------|--------------|--|----|----|----|----|----|----|----|----|-----|-----|-----|-----|-----|-----|-----|-----|-----|----|----|---|
| | Before 1/2/12 | After 1/2/12 | A1 | A2 | A3 | A4 | A5 | A6 | A7 | A8 | A9 | A10 | A11 | A12 | A13 | A14 | A15 | A16 | A17 | A18 | B1 | B2 | |
| Tilt (AM1) and... | | | | | | | | | | | | | | | | | | | | | | | |
| R4000/ Q614, No Pressure Switches | ELEASMB7110169 | ELEASMB7102 | | | 1 | | | | | | | | | | | 2 | | | | | | 1 | |
| R4000/ Q614 w/ Pressure Switches | ELEASMB7110165 | ELEASMB6574 | 2 | 1 | 1 | | | | | | | | | | | 2 | | | | | | 1 | |
| Man. Recline w/ Pressure Switches | ELEASMB7110161 | ELEASMB6036 | 2 | 1 | 1 | 1 | 1 | | | | | | | | | 2 | | | | | | 1 | |
| Man. Recline, No Pressure Switches | ELEASMB7110166 | ELEASMB7100 | | | 1 | 1 | 1 | | | | | | | | | 2 | | | | | | 1 | |
| No Pressure Switches | ELEASMB7110163 | ELEASMB6573 | | | 1 | | | | | | | | | | | 2 | | | | | | 1 | |
| Pressure Switches | ELEASMB7110158 | ELEASMB6035 | 2 | 1 | 1 | | | | | | | | | | | 2 | | | | | | 1 | |
| Tilt (AM2) and... | | | | | | | | | | | | | | | | | | | | | | | |
| AFP, No Pressure Switches | ELEASMB7110168 | ELEASMB7101 | | | 1 | | | 1 | 1 | 5 | 1 | | | | | 2 | 1 | | | | | 1 | 1 |
| AFP with Pressure Switches | ELEASMB7110162 | ELEASMB6429 | 2 | 1 | 1 | | | 1 | 1 | 5 | 1 | | | | | 2 | 1 | | | | | 1 | 1 |
| Elevate | ELEASMB7110171 | ELEASMB7159 | | | 1 | | | | | 5 | 1 | 1 | 1 | 4 | 1 | 2 | | | | | | 1 | |
| R44 AFP, No Pressure Switches | N/A | ELE121679 | | | 1 | | | 1 | 1 | 5 | 1 | | | | | 2 | 1 | | | | | 1 | 1 |
| Recline and... | | | | | | | | | | | | | | | | | | | | | | | |
| Recline Only (AM1) | ELEASMB7110176 | ELEASMB6640 | | | 1 | | | | | 5 | 1 | | | | | 2 | | | | | | 1 | |
| Articulating Foot Platform (AM2) | ELEASMB7110178 | ELEASMB6641 | | | 1 | | | 1 | 1 | 5 | 1 | | | | | 2 | 1 | 1 | 1 | 1 | 1 | 1 | 1 |
| Elevate (AM2) | ELEASMB7110179 | ELEASMB7160 | | | 1 | | | | | 5 | 1 | 1 | 1 | 4 | 1 | 2 | | | | | | 1 | |
| Tilt, Recline, and... | | | | | | | | | | | | | | | | | | | | | | | |
| Pressure Switches (AM2) | ELEASMB7110172 | ELEASMB6639 | 2 | 1 | 1 | | | | | 5 | 1 | | | | | 2 | | | | | | 1 | |
| No Pressure Switches (AM2) | ELEASMB7110174 | ELEASMB7103 | | | 1 | | | | | 5 | 1 | | | | | 2 | | | | | | 1 | |

The numbers within the table represent the quantity of each harness for each configuration.

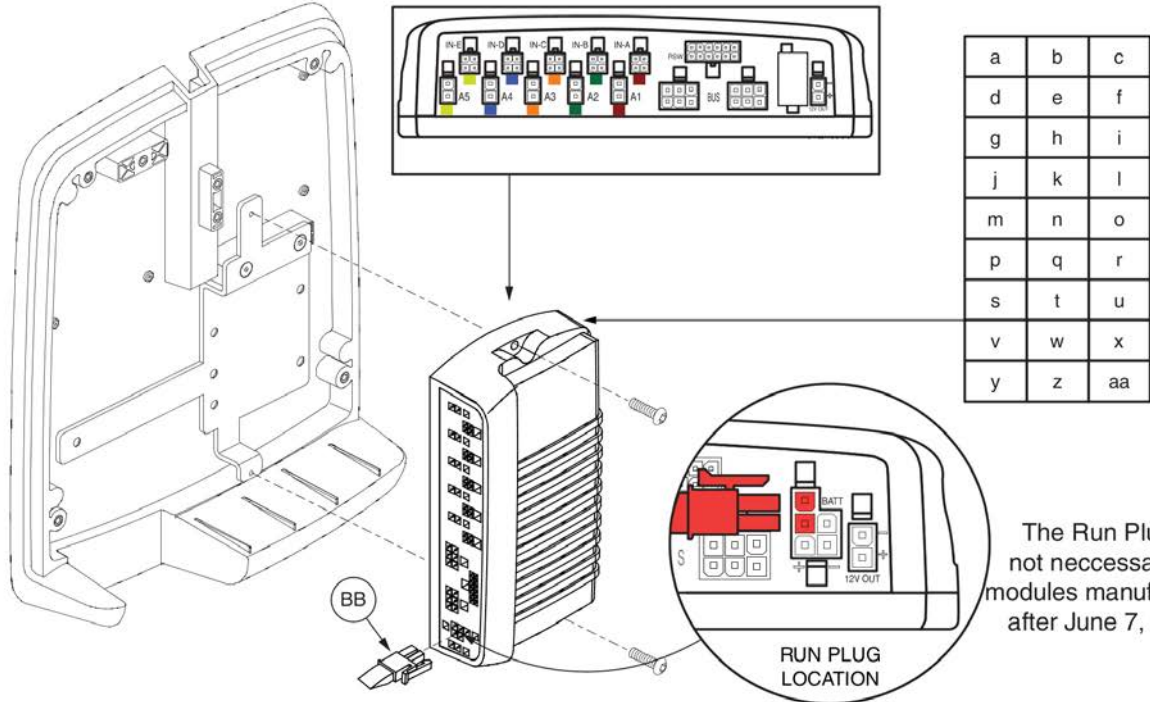
| Item | Part No. | Name | Qty |
|------|-------------|---|-----|
| A1 | DWR1265H001 | ELECTRONIC,SWITCH,PRESSURE,ANTI-PINCH,TB2 TILT | 2 |
| A2 | DWR1265H004 | HARNESS,"Y",ANTI-PINCH SWITCH,TB2 TILT | 1 |
| A3 | DWR1111H047 | HARNESS,BUS CABLE,1.0 METER,FEMALE/FEMALE,H-1111-047,(CURTIS:17881302) | 1 |
| A4 | ELE142519 | HARNESS,COMBINATION,INHIBIT,MANUAL TILT,ROHS | 1 |
| A5 | CLPCBLC1025 | CLAMP,CABLE,STEEL,0.50" DIA,RUBBER COATED | 1 |
| A6 | DWR1265H007 | ELECTRONIC,HARNESS,INDEPENDENT ELR,CURTIS,TRU-BALANCE TILT 2,RIGHT,H-1265-007 | 1 |
| A7 | DWR1303B026 | ELECTRICAL CONNECTION BRACKET,ARTICULATING LEGREST | 1 |
| *A8 | PLSTIE1004 | TIE WRAP,BLACK,8" | 5 |
| *A9 | | ELECTRONIC,WRAP,3/8"D,1 FT, SPIRAL | 1 |
| A10 | DWR1265H016 | ELECTRONIC,HARNESS,POWER SEAT INHIBIT,CURTIS,TRUBALANCE TILT 2,H-1265-016 | 1 |
| A11 | DWR1265H017 | ELECTRONIC,HARNESS,POWER SEAT,TRU-BALANCE TILT 2,H-1265-017 | 1 |
| A12 | SCRPPH1031 | SCREW, PPH,BLACK ZINC,4-40 X 3/8" | 1 |
| A13 | SWTMAGN1001 | ELECTRONIC,SWITCH,HERMETIC,PRX +8100 | 1 |
| A14 | SCRPPH1080 | SCREW,PPH,BLACK ZINC,8-32 X 0.75" | 2 |
| A15 | NUT8120005 | NUT,T-SLOT,BLACK,M8-1.25 | 1 |
| A16 | WASSTND1002 | WASHER,FLAT,BLACK ZINC,0.3125" ID X 0.6875" OD X 0.0625" TH | 1 |
| A17 | SCRHHCS1382 | SCREW,HHCS,BLACK ZINC CHROMATE,M8-1.25 X 12MM,10.9 | 1 |
| A18 | MEC138637 | BRACKET,STRAIN RELIEF,AM1 | 1 |
| B1 | WASSTND1155 | WASHER,FLAT,STAINLESS STEEL,.375"ID X .615"OD X .025"TH | 1 |
| B2 | NUTJAM1032 | NUT,JAM,THIN,STAINLESS STEEL,3/8-32 | 1 |

1.3. Curtis thru AM1 / AM2 Assy's



| Item | Part No. | Name | Qty |
|----------|--------------|---|-----|
| A1 | PLSASMB2069 | PLASTIC,ASSY,CURTIS/AAM,TRU-BALANCE 2 POWER RECLINE | 1 |
| *B1 - C1 | ELEASMB6642 | ASSY,NE+,ATTENDANT CONTROL MODULE,W/BRACKET & HARDWARE | 1 |
| B1 | CTL137822 | CONTROLLER,ATTENDANT CONTROL MODULE 2.0,Q-LOGIC 2 | 1 |
| B2 | DWR1111H053 | HARNESS,MULTIPLIER BOX,0.3 METER,H-1111-053,(CURTIS: 17869700) | 1 |
| B3 | DWR1010D298 | MOUNTING BRACKET,ATTENDANT BRACKET,CURTIS STAND ALONE JOYSTICK,D-1010-298 | 1 |
| B4 | SCRPPH1165 | SCREW,PPH,BLACK ZINC,M4-.7 X 8MM,P-TYPE | 2 |
| B5 | SCRPPH1031 | SCREW, PPH,BLACK ZINC,4-40 X 3/8" | 2 |
| C1 | FRMASMB10455 | MOUNTING BRACKET,ASSY,ATTENDANT CONTROL,C-1010-285 | 1 |
| D1 | BRK8110019 | MULTIPLIER L-BRACKET,TRU-BALANCE 2 POWER RECLINE | 1 |
| D2 | SCRPPH1379 | SCREW,PPH,BLACK ZINC,8-32 X 0.375" | 2 |

1.4. Curtis thru AAM Tilt Assy's



| CURTIS - Tilt Only with... | *Master Assembly | | AAM Module | |
|--|------------------|-------------|------------|-------------|
| w/ Pressure Switches (and...) | A1 | ELEASMB5154 | a/b/j/k | ELEASMB5628 |
| Manual Recline | B1 | ELEASMB5780 | a/b/j/k | ELEASMB5628 |
| Independent Legs | C1 | ELEASMB5350 | c | ELEASMB5629 |
| Combined Legs | D1 | ELEASMB5351 | d/m | ELEASMB5630 |
| Articulating Foot Platform | E1 | ELEASMB5602 | e/n | ELEASMB5631 |
| Tilt Only (R4000/Q614 Program) | F1 | ELEASMB5813 | f/g/o/p | ELEASMB5819 |
| Manual Recline (R4000/ Q614 Program) | G1 | ELEASMB5816 | f/g/o/p | ELEASMB5819 |
| Independent Legs (R4000/Q614 Program) | H1 | ELEASMB5817 | h/q | ELEASMB5820 |
| Combined Legs (R4000/Q614 Program) | I1 | ELEASMB5818 | i/r | ELEASMB5821 |
| w/ No Pressure Switches (and...) | J1 | ELEASMB5372 | a/b/j/k | ELEASMB5628 |
| Manual Recline | K1 | ELEASMB5781 | a/b/j/k | ELEASMB5628 |
| Independent Legs | L1 | ELEASMB5375 | l | ELEASMB5629 |
| Combined Legs | M1 | ELEASMB5376 | d/m | ELEASMB5630 |
| Articulating Foot Platform | N1 | ELEASMB7107 | e/n | ELEASMB5631 |
| Tilt Only (R4000/Q614 Program) | O1 | ELEASMB7211 | f/g/o/p | ELEASMB5819 |
| Manual Recline (R4000/Q614 Program) | P1 | ELEASMB7117 | f/g/o/p | ELEASMB5819 |
| Independent Legs (R4000/Q614 Program) | Q1 | ELEASMB7108 | h/q | ELEASMB5820 |
| Combined Legs (R4000/Q614 Program) | R1 | ELEASMB7109 | i/r | ELEASMB5821 |
| Articulating Foot Platform (R44 Program) | S1 | ELE121670 | s | ELE121671 |
| w/ Elevate (and...) | T1 | ELEASMB5498 | t/u | ELEASMB5632 |
| Attendant Control | U1 | ELEASMB5497 | t/u | ELEASMB5632 |
| Independent Legs | V1 | ELEASMB5500 | v/w | ELEASMB5633 |
| Independent Legs and Attendant Control | W1 | ELEASMB5499 | v/w | ELEASMB5633 |
| Combined Legs | X1 | ELEASMB5502 | x/y | ELEASMB5634 |
| Combined Legs and Attendant Control | Y1 | ELEASMB5501 | x/y | ELEASMB5634 |
| Articulating Foot Platform | Z1 | ELEASMB5604 | z/aa | ELEASMB5635 |
| AFP and Attendant Control | AA1 | ELEASMB5605 | z/aa | ELEASMB5635 |

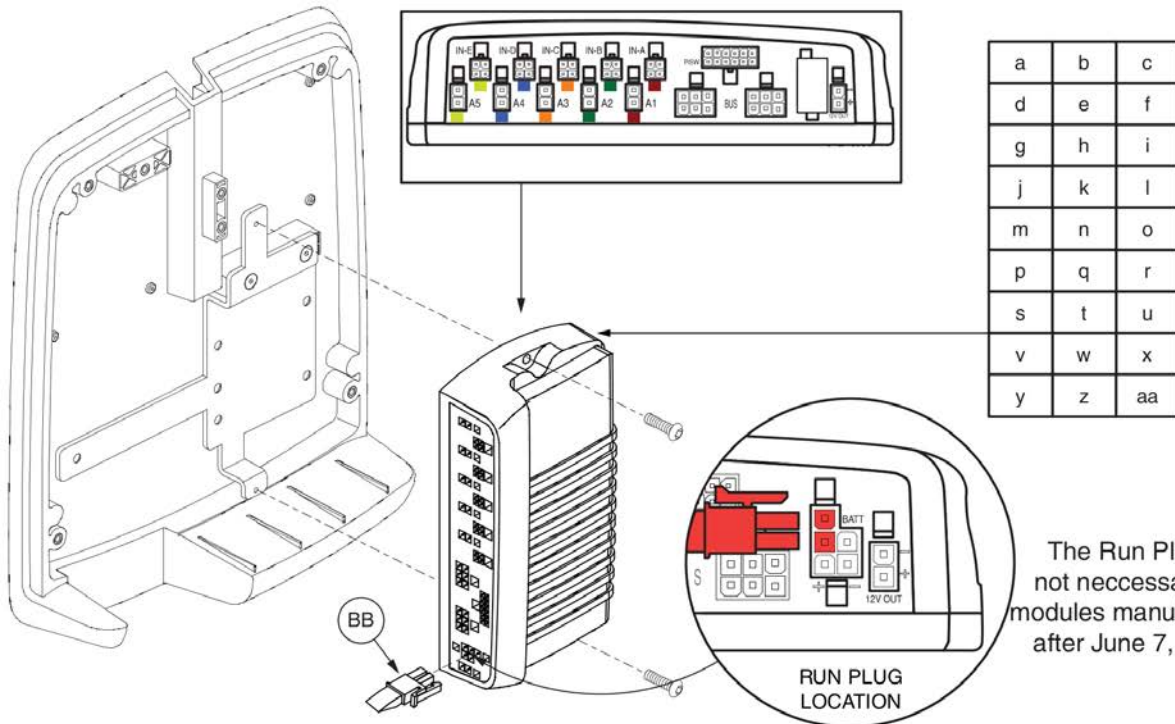
Actuator Module Replacement

Modules shown here are **ONLY** compatible with units manufactured **AFTER** January 2, 2012.

*Master assemblies contain harnesses and hardware components not shown. Reference component pages for illustrations and parts lists with the Master Assembly part number in the table.

Lower case letters designate AAM modules in assemblies with the matching upper case letter.

| Item | Part No. | Name | Qty |
|---------|-------------|--|-----|
| A1 | ELEASMB5154 | AAM,TILT,W/PRESSURE SWITCH,(CONFIG. #20) | 1 |
| B1 | ELEASMB5780 | AAM,TILT THRU JOY. W/MAN. RECL.,PRESSURE SWITCH(CONF.#20) | 1 |
| C1 | ELEASMB5350 | AAM,TILT/IND. OR COMB. LEGS,THRU JOY.,PRESSURE SWITCH,(CONF.#21) | 1 |
| D1 | ELEASMB5351 | AAM,TILT/COMB. LEGS,THRU JOY.,PRESSURE SWITCH,(CONF.#22) | 1 |
| E1 | ELEASMB5602 | AAM,TILT/AFP,THRU JOY.,W/PRESSURE SWITCH,(CONFIG.#23) | 1 |
| F1 | ELEASMB5813 | AAM,TILT,R4000,W/PRESSURE SWITCH,(CONFIG.#20) | 1 |
| G1 | ELEASMB5816 | AAM,TILT THRU JOY. W/MAN. RECL.,R4000/Q614,PRESSURE SWITCH,(CONF.#20) | 1 |
| H1 | ELEASMB5817 | AAM,TILT/IND. OR COMBINED LEGS,THRU JOY.,R4000/Q614,W/PRESSURE SWITCH,(CONFIG.#21) | 1 |
| I1 | ELEASMB5818 | AAM,TILT/COMBINED LEGS,THRU JOY.,R4000/Q614,W/PRESSURE SWITCH,(CONFIG.#22) | 1 |
| J1 | ELEASMB5372 | AAM,TILT W/O PRESSURE SWITCH,(CONFIG.#20) | 1 |
| K1 | ELEASMB5781 | AAM,TILT THRU JOY. W/MAN. RECL.,W/O PRESS SWITCH,(CONF.#20) | 1 |
| L1 | ELEASMB5375 | AAM,TILT/IND. OR COMB. LEGS,THRU JOY.,W/O PRESS SWITCH,(CONF.#21) | 1 |
| M1 | ELEASMB5376 | AAM,TILT/COMB. LEGS,THRU JOY.,W/O PRESS SWITCH,(CONF.#22) | 1 |
| N1 | ELEASMB7107 | AAM,TILT/AFP,THRU JOY.,W/O PRESSURE SWITCH,(CONF.#23) | 1 |
| O1 | ELEASMB7211 | AAM,TILT,R4000,(CONFIG.#20) | 1 |
| P1 | ELEASMB7117 | AAM,TILT THRU JOY. W/MAN. RECLINE,45°,(CONFIG.#20) | 1 |
| Q1 | ELEASMB7108 | AAM,TILT/IND. OR COMB. LEGS,THRU JOY.,R4000/Q614,(CONF.#21) | 1 |
| R1 | ELEASMB7109 | AAM,TILT/COMBINED LEGS,THRU JOY.,R4000/Q614,(CONFIG.#22) | 1 |
| S1 | ELE121670 | AAM,TILT/AFP,THRU JOYSTICK,45°,(CONFIG.#23) | 1 |
| T1 | ELEASMB5498 | AAM,TILT/ELEVATE,THRU JOY.,(CONFIG.#24) | 1 |
| U1 | ELEASMB5497 | AAM,TILT/ELEVATE,THRU JOY. W/ATTENDANT,(CONFIG.#24) | 1 |
| V1 | ELEASMB5500 | AAM,TILT/ELEVATE/IND. LEGS,THRU JOY.,(CONFIG.#25) | 1 |
| W1 | ELEASMB5499 | AAM,TILT/ELEVATE/IND. LEGS,THRU JOY. W/ATT.,(CONF.#25) | 1 |
| X1 | ELEASMB5502 | AAM,TILT/ELEVATE/COMBINED LEGS,THRU JOY.,(CONFIG.#26) | 1 |
| Y1 | ELEASMB5501 | AAM,TILT/ELE/COMB. LEGS,THRU JOY. W/ATT.,(CONF.#26) | 1 |
| Z1 | ELEASMB5604 | AAM,TILT/ELEVATE/AFP,THRU JOY.,(CONFIG.#27) | 1 |
| AA1 | ELEASMB5605 | AAM,TILT/ELEVATE/AFP,THRU JOY. W/ATTENDANT,(CONF.#27) | 1 |
| a/b/j/k | ELEASMB5628 | AAM,TILT ONLY,(CONFIG.#20) | 1 |
| c | ELEASMB5629 | AAM,TILT W/INDEPENDENT LEGS,(CONFIG.#21) | 1 |
| d/m | ELEASMB5630 | AAM,TILT W/COMBINED LEGS,(CONFIG.#22) | 1 |
| e/n | ELEASMB5631 | AAM,TILT W/AFP,(CONFIG.#23) | 1 |
| f/g/o/p | ELEASMB5819 | AAM,TILT,R4000,(CONFIG.#20) | 1 |
| h/q | ELEASMB5820 | AAM,TILT/IND. LEGS,R4000,(CONFIG.#21) | 1 |
| i/r | ELEASMB5821 | AAM,TILT/COMBINED LEGS,R4000,(CONFIG.#22) | 1 |
| l | ELEASMB5629 | AAM,TILT W/INDEPENDENT LEGS,(CONFIG.#21) | 1 |
| s | ELE121671 | AAM,TILT/AFP,45°,(CONFIG.#23) | 1 |



The Run Plug is not necessary for modules manufactured after June 7, 2012.

| CURTIS - Tilt Only with... | *Master Assembly | | AAM Module | |
|--|------------------|-------------|------------|-------------|
| w/ Pressure Switches (and...) | A1 | ELEASMB5154 | a/b/f/k | ELEASMB5628 |
| Manual Recline | B1 | ELEASMB5780 | a/b/f/k | ELEASMB5628 |
| Independent Legs | C1 | ELEASMB5350 | c | ELEASMB5629 |
| Combined Legs | D1 | ELEASMB5351 | d/m | ELEASMB5630 |
| Articulating Foot Platform | E1 | ELEASMB5602 | e/n | ELEASMB5631 |
| Tilt Only (R4000/Q614 Program) | F1 | ELEASMB5813 | f/g/o/p | ELEASMB5819 |
| Manual Recline (R4000/ Q614 Program) | G1 | ELEASMB5816 | f/g/o/p | ELEASMB5819 |
| Independent Legs (R4000/Q614 Program) | H1 | ELEASMB5817 | h/q | ELEASMB5820 |
| Combined Legs (R4000/Q614 Program) | I1 | ELEASMB5818 | i/r | ELEASMB5821 |
| w/ No Pressure Switches (and...) | J1 | ELEASMB5372 | a/b/f/k | ELEASMB5628 |
| Manual Recline | K1 | ELEASMB5781 | a/b/f/k | ELEASMB5628 |
| Independent Legs | L1 | ELEASMB5375 | l | ELEASMB5629 |
| Combined Legs | M1 | ELEASMB5376 | d/m | ELEASMB5630 |
| Articulating Foot Platform | N1 | ELEASMB7107 | e/n | ELEASMB5631 |
| Tilt Only (R4000/Q614 Program) | O1 | ELEASMB7211 | f/g/o/p | ELEASMB5819 |
| Manual Recline (R4000/Q614 Program) | P1 | ELEASMB7117 | f/g/o/p | ELEASMB5819 |
| Independent Legs (R4000/Q614 Program) | Q1 | ELEASMB7108 | h/q | ELEASMB5820 |
| Combined Legs (R4000/Q614 Program) | R1 | ELEASMB7109 | i/r | ELEASMB5821 |
| Articulating Foot Platform (R44 Program) | S1 | ELE121670 | s | ELE121671 |
| w/ Elevate (and...) | T1 | ELEASMB5498 | t/u | ELEASMB5632 |
| Attendant Control | U1 | ELEASMB5497 | t/u | ELEASMB5632 |
| Independent Legs | V1 | ELEASMB5500 | v/w | ELEASMB5633 |
| Independent Legs and Attendant Control | W1 | ELEASMB5499 | v/w | ELEASMB5633 |
| Combined Legs | X1 | ELEASMB5502 | x/y | ELEASMB5634 |
| Combined Legs and Attendant Control | Y1 | ELEASMB5501 | x/y | ELEASMB5634 |
| Articulating Foot Platform | Z1 | ELEASMB5604 | z/aa | ELEASMB5635 |
| AFP and Attendant Control | AA1 | ELEASMB5605 | z/aa | ELEASMB5635 |

Actuator Module Replacement

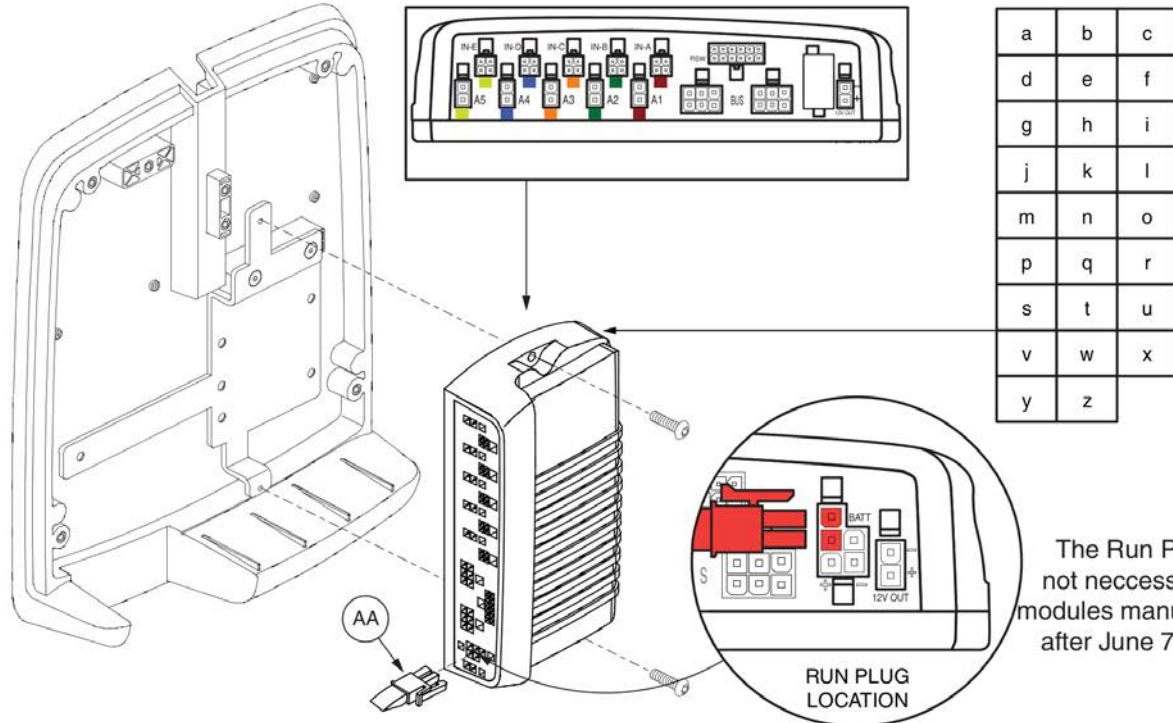
Modules shown here are **ONLY** compatible with units manufactured **AFTER** January 2, 2012.

*Master assemblies contain harnesses and hardware components not shown. Reference component pages for illustrations and parts lists with the Master Assembly part number in the table.

Lower case letters designate AAM modules in assemblies with the matching upper case letter.

| Item | Part No. | Name | Qty |
|-------------|-----------------|---|------------|
| t/u | ELEASMB5632 | AAM,TILT/ELEVATE,(CONFIG. #24) | 1 |
| v/w | ELEASMB5633 | AAM, TILT/ELEVATE, INDEPENDENT LEGS (CONFIG. #25) | 1 |
| x/y | ELEASMB5634 | AAM,LIFT & TILT W/COMBINED LEGS,(CONFIG.#26) | 1 |
| z/aa | ELEASMB5635 | AAM,LIFT & TILT W/AFP,(CONFIG.#27) | 1 |
| BB | DWR1361H030 | ELECTRONIC,HARNES, RUN PLUG,MALE,MERCURY SWITCH,SWITCH-IT CONTROLLER,H-1361-030 | 1 |

1.4. Curtis thru AAM Tilt Assy's



The Run Plug is not necessary for modules manufactured after June 7, 2012.

| CURTIS - Tilt Only with... | *Master Assembly | ⚠ AAM Module ⚠ |
|--|--------------------------|-------------------------------|
| w/ Pressure Switches (and...) | A1 ELEASMB7110181 | a/b/j/k ELEASMB7110044 |
| Manual Recline | B1 ELEASMB7110182 | a/b/j/k ELEASMB7110044 |
| Independent Legs | C1 ELEASMB7110186 | c ELEASMB7110047 |
| Combined Legs | D1 ELEASMB7110187 | d/m ELEASMB7110049 |
| Articulating Foot Platform | E1 ELEASMB7110190 | e/n ELEASMB7110051 |
| Tilt Only (R4000/Q614 Program) | F1 ELEASMB7110207 | f/g/o/p ELEASMB7110053 |
| Manual Recline (R4000/ Q614 Program) | G1 ELEASMB7110210 | f/g/o/p ELEASMB7110053 |
| Independent Legs (R4000/Q614 Program) | H1 ELEASMB7110211 | h/q ELEASMB7110055 |
| Combined Legs (R4000/Q614 Program) | I1 ELEASMB7110213 | i/r ELEASMB7110057 |
| w/ No Pressure Switches (and...) | J1 ELEASMB7110192 | a/b/j/k ELEASMB7110044 |
| Manual Recline | K1 ELEASMB7110193 | a/b/j/k ELEASMB7110044 |
| Independent Legs | L1 ELEASMB7110194 | l ELEASMB7110047 |
| Combined Legs | M1 ELEASMB7110206 | d/m ELEASMB7110049 |
| Articulating Foot Platform | N1 ELEASMB7110417 | e/n ELEASMB7110051 |
| Tilt Only (R4000/Q614 Program) | O1 ELEASMB7110208 | f/g/o/p ELEASMB7110053 |
| Manual Recline (R4000/Q614 Program) | P1 ELEASMB7110209 | f/g/o/p ELEASMB7110053 |
| Independent Legs (R4000/Q614 Program) | Q1 ELEASMB7110212 | h/q ELEASMB7110055 |
| Combined Legs (R4000/Q614 Program) | R1 ELEASMB7110214 | i/r ELEASMB7110057 |
| w/ Elevate (and...) | S1 ELEASMB7110215 | s/t ELEASMB7110059 |
| Attendant Control | T1 ELEASMB7110419 | s/t ELEASMB7110059 |
| Independent Legs | U1 ELEASMB7110217 | u/v ELEASMB7110062 |
| Independent Legs and Attendant Control | V1 ELEASMB7110216 | u/v ELEASMB7110062 |
| Combined Legs | W1 ELEASMB7110219 | w/x ELEASMB7110064 |
| Combined Legs and Attendant Control | X1 ELEASMB7110218 | w/x ELEASMB7110064 |
| Articulating Foot Platform | Y1 ELEASMB7110220 | y/z ELEASMB7110066 |
| Articulating Foot Platform and Attendant Control | Z1 ELEASMB7110221 | y/z ELEASMB7110066 |

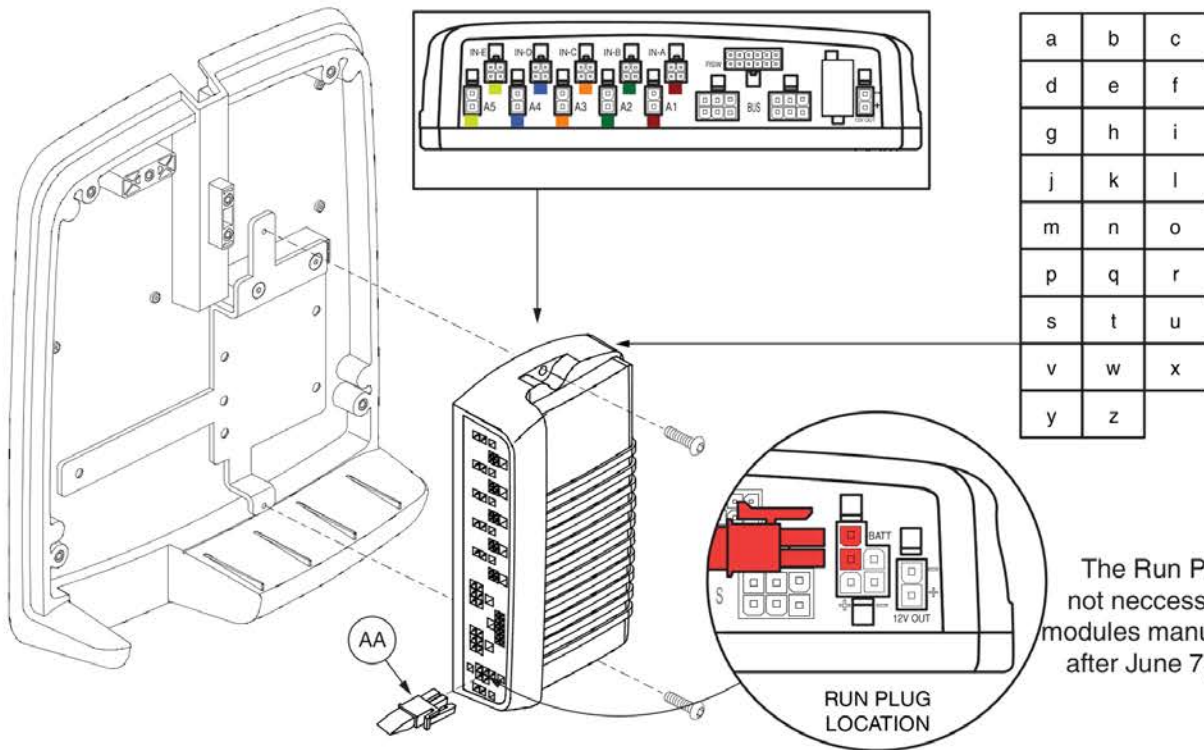
Actuator Module Replacement

Modules shown here are **ONLY** compatible with units manufactured **BEFORE** January 2, 2012.

*Master assemblies contain harnesses and hardware components not shown. Reference component pages for illustrations and parts lists with the Master Assembly part number in the table.

Lower case letters designate AAM modules in assemblies with the matching upper case letter.

| Item | Part No. | Name | Qty |
|---------|----------------|---|-----|
| A1 | ELEASMB7110181 | AAM(FW 1.45),TILT,W/PRESSURE SWITCH,(CONFIG.#20) | 1 |
| B1 | ELEASMB7110182 | AAM(FW 1.45),TILT THRU JOY. W/MAN. RECLINE,W/PRESSURE SWITCH (CONFIG.#20) | 1 |
| C1 | ELEASMB7110186 | AAM(FW 1.45),TILT/IND. OR COMB LEGS,THRU JOY.,W/PRESSURE SWITCH,(CONFIG.#21) | 1 |
| D1 | ELEASMB7110187 | AAM(FW 1.45),TILT/COMBINED LEGS,THRU JOY.,W/PRESSURE SWITCH,(CONFIG.#22) | 1 |
| E1 | ELEASMB7110190 | AAM,TILT/AFP(FW 1.45),THRU JOY.,W/PRES SWT,(CONF.#23) | 1 |
| F1 | ELEASMB7110207 | AAM(FW 1.45),TILT,R4000,W/PRESSURE SWITCH,(CONFIG.#20) | 1 |
| G1 | ELEASMB7110210 | AAM(FW 1.45),TILT THRU JOYSTICK W/MAN.RECLINE,R4000/Q614,W/PRESSURE SWITCH,(CONFIG.#20) | 1 |
| H1 | ELEASMB7110211 | AAM(FW 1.45),TILT/IND. OR COMBINED LEGS,THRU JOY.,R4000/Q614,W/PRESSURE SWITCH,(CONFIG.#21) | 1 |
| I1 | ELEASMB7110213 | AAM(FW 1.45),TILT/COMBINED LEGS,THRU JOY.,R4000/Q614,W/PRESSURE SWITCH,(CONFIG.#22) | 1 |
| J1 | ELEASMB7110192 | AAM(FW 1.45),TILT,(CONFIG.#20) | 1 |
| K1 | ELEASMB7110193 | AAM(FW 1.45),TILT THRU JOY. W/MAN. RECLINE,W/O PRESSURE SWITCH,(CONFIG.#20) | 1 |
| L1 | ELEASMB7110194 | AAM(FW 1.45),TILT/IND. OR COMBINED LEGS,THRU JOY.,W/O PRESSURE SWITCH,(CONFIG.#21) | 1 |
| M1 | ELEASMB7110206 | AAM(FW 1.45),TILT/COMBINED LEGS,THRU JOY.,W/O PRESSURE SWITCH,(CONFIG.#22) | 1 |
| N1 | ELEASMB7110417 | AAM(FW 1.45),TILT/AFP,THRU JOY.,W/O PRESSURE SWITCH,(CONFIG.#23) | 1 |
| O1 | ELEASMB7110208 | AAM(FW 1.45),TILT,R4000,(CONFIG.#20) | 1 |
| P1 | ELEASMB7110209 | AAM(FW 1.45),TILT THRU JOY. W/MAN. RECLINE,45°,(CONFIG.#20) | 1 |
| Q1 | ELEASMB7110212 | AAM(FW 1.45),TILT/IND. OR COMBINED LEGS,THRU JOY.,R4000/Q614,(CONFIG.#21) | 1 |
| R1 | ELEASMB7110214 | AAM(FW 1.45),TILT/COMB LEGS,THRU JOY.,R4000/Q614,(CONF.#22) | 1 |
| S1 | ELEASMB7110215 | AAM(FW 1.45),TILT/ELEVATE,THRU JOY.,(CONFIG.#24) | 1 |
| T1 | ELEASMB7110419 | AAM(FW 1.45),TILT/ELEVATE,THRU JOY. W/ATTENDANT(FW 1.06),(CONFIG.#24) | 1 |
| U1 | ELEASMB7110217 | AAM(FW 1.45),TILT/ELEV./IND. LEGS,THRU JOY.,(CONFIG.#25) | 1 |
| V1 | ELEASMB7110216 | AAM(FW 1.45),TILT/ELEVATE/IND. LEGS,THRU JOY. W/ATTENDANT(FW 1.06),(CONFIG.#25) | 1 |
| W1 | ELEASMB7110219 | AAM(FW 1.45),TILT/ELEV/COMB LEGS,THRU JOY.,(CONF.#26) | 1 |
| X1 | ELEASMB7110218 | AAM(FW 1.45),TILT/ELEVATE/COMBINED LEGS,THRU JOY. W/ATTENDANT(FW 1.06),(CONFIG.#26) | 1 |
| Y1 | ELEASMB7110220 | AAM(FW 1.45),TILT/ELEVATE/AFP,THRU JOY.,(CONFIG.#27) | 1 |
| Z1 | ELEASMB7110221 | AAM(FW 1.45),TILT/ELEVATE/POWER AFP,THRU JOY. W/ATTENDANT CONTROL(FW 1.06),(CONFIG.#27) | 1 |
| a/b/j/k | ELEASMB7110044 | AAM(FW 1.45),TILT,(CONFIG.#20) | 1 |
| c | ELEASMB7110047 | AAM(FW 1.45),TILT/IND. LEGS,(CONFIG.#21) | 1 |
| d/m | ELEASMB7110049 | AAM(FW 1.45),TILT/COMBINED LEGS,(CONFIG.#22) | 1 |
| e/n | ELEASMB7110051 | AAM(FW 1.45),TILT/POWER AFP,(CONFIG.#23) | 1 |
| f/g/o/p | ELEASMB7110052 | AAM(FW 1.45),TILT,R4000,(CONFIG.#20) | 1 |
| h/q | ELEASMB7110055 | AAM(FW 1.45),TILT/IND. LEGS,R4000,(CONFIG.#21) | 1 |
| i/r | ELEASMB7110057 | AAM(FW 1.45),TILT/COMBINED LEGS,R4000,(CONFIG.#22) | 1 |
| l | ELEASMB7110047 | AAM(FW 1.45),TILT/IND. LEGS,(CONFIG.#21) | 1 |
| s/t | ELEASMB7110059 | AAM(FW 1.45),TILT/ELEVATE,(CONFIG.#24) | 1 |



The Run Plug is not necessary for modules manufactured after June 7, 2012.

| CURTIS - Tilt Only with... | *Master Assembly | ⚠ AAM Module ⚠ |
|--|---------------------|--------------------------|
| w/ Pressure Switches (and...) | A1 ELEASMB7110181 | a/b/j/k ELEASMB7110044 |
| Manual Recline | B1 ELEASMB7110182 | a/b/j/k ELEASMB7110044 |
| Independent Legs | C1 ELEASMB7110186 | c ELEASMB7110047 |
| Combined Legs | D1 ELEASMB7110187 | d/m ELEASMB7110049 |
| Articulating Foot Platform | E1 ELEASMB7110190 | e/n ELEASMB7110051 |
| Tilt Only (R4000/Q614 Program) | F1 ELEASMB7110207 | f/g/o/p ELEASMB7110053 |
| Manual Recline (R4000/ Q614 Program) | G1 ELEASMB7110210 | f/g/o/p ELEASMB7110053 |
| Independent Legs (R4000/Q614 Program) | H1 ELEASMB7110211 | h/q ELEASMB7110055 |
| Combined Legs (R4000/Q614 Program) | I1 ELEASMB7110213 | i/r ELEASMB7110057 |
| w/ No Pressure Switches (and...) | J1 ELEASMB7110192 | a/b/j/k ELEASMB7110044 |
| Manual Recline | K1 ELEASMB7110193 | a/b/j/k ELEASMB7110044 |
| Independent Legs | L1 ELEASMB7110194 | l ELEASMB7110047 |
| Combined Legs | M1 ELEASMB7110206 | d/m ELEASMB7110049 |
| Articulating Foot Platform | N1 ELEASMB7110417 | e/n ELEASMB7110051 |
| Tilt Only (R4000/Q614 Program) | O1 ELEASMB7110208 | f/g/o/p ELEASMB7110053 |
| Manual Recline (R4000/Q614 Program) | P1 ELEASMB7110209 | f/g/o/p ELEASMB7110053 |
| Independent Legs (R4000/Q614 Program) | Q1 ELEASMB7110212 | h/q ELEASMB7110055 |
| Combined Legs (R4000/Q614 Program) | R1 ELEASMB7110214 | i/r ELEASMB7110057 |
| w/ Elevate (and...) | S1 ELEASMB7110215 | s/t ELEASMB7110059 |
| Attendant Control | T1 ELEASMB7110419 | s/t ELEASMB7110059 |
| Independent Legs | U1 ELEASMB7110217 | u/v ELEASMB7110062 |
| Independent Legs and Attendant Control | V1 ELEASMB7110216 | u/v ELEASMB7110062 |
| Combined Legs | W1 ELEASMB7110219 | w/x ELEASMB7110064 |
| Combined Legs and Attendant Control | X1 ELEASMB7110218 | w/x ELEASMB7110064 |
| Articulating Foot Platform | Y1 ELEASMB7110220 | y/z ELEASMB7110066 |
| Articulating Foot Platform and Attendant Control | Z1 ELEASMB7110221 | y/z ELEASMB7110066 |

Actuator Module Replacement

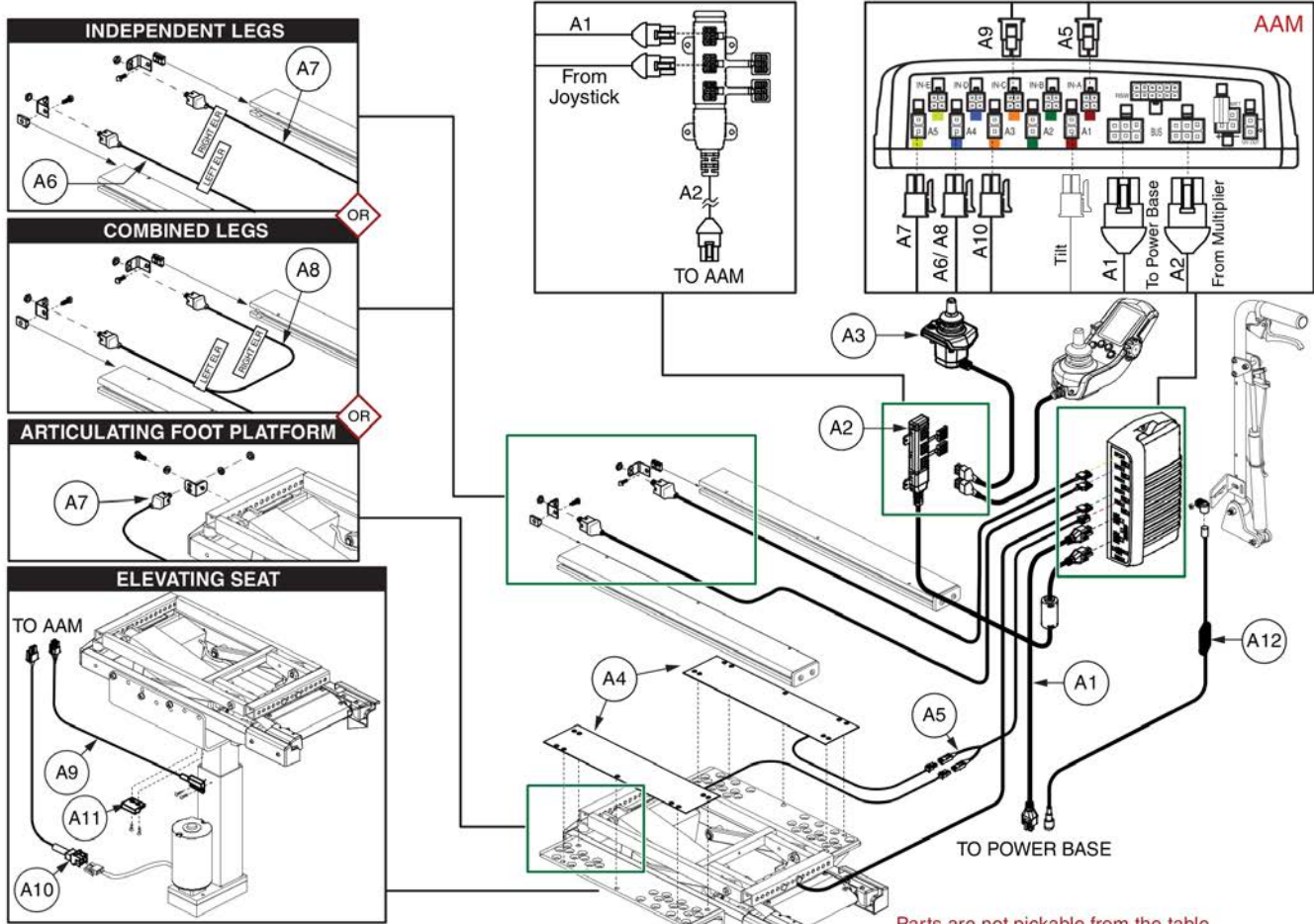
Modules shown here are **ONLY** compatible with units manufactured **BEFORE** January 2, 2012.

*Master assemblies contain harnesses and hardware components not shown. Reference component pages for illustrations and parts lists with the Master Assembly part number in the table.

Lower case letters designate AAM modules in assemblies with the matching upper case letter.

| Item | Part No. | Name | Qty |
|------|----------------|---|-----|
| u/v | ELEASMB7110062 | AAM(FW 1.45),TILT/ELEV./IND. LEGS,(CONFIG. #25) | 1 |
| w/x | ELEASMB7110064 | AAM(FW 1.45),TILT/ELEVATE/COMBINED LEGS,(CONFIG. #26) | 1 |
| y/z | ELEASMB7110066 | AAM(FW 1.45),TILT/ELEV./AFP,(CONFIG. #27) | 1 |
| AA | DWR1361H030 | ELECTRONIC,HARNESS,RUN PLUG,MALE,MERCURY SWITCH,SWITCH-IT CONTROLLER,H-1361-030 | 1 |

1.4. Curtis thru AAM Tilt Assy's



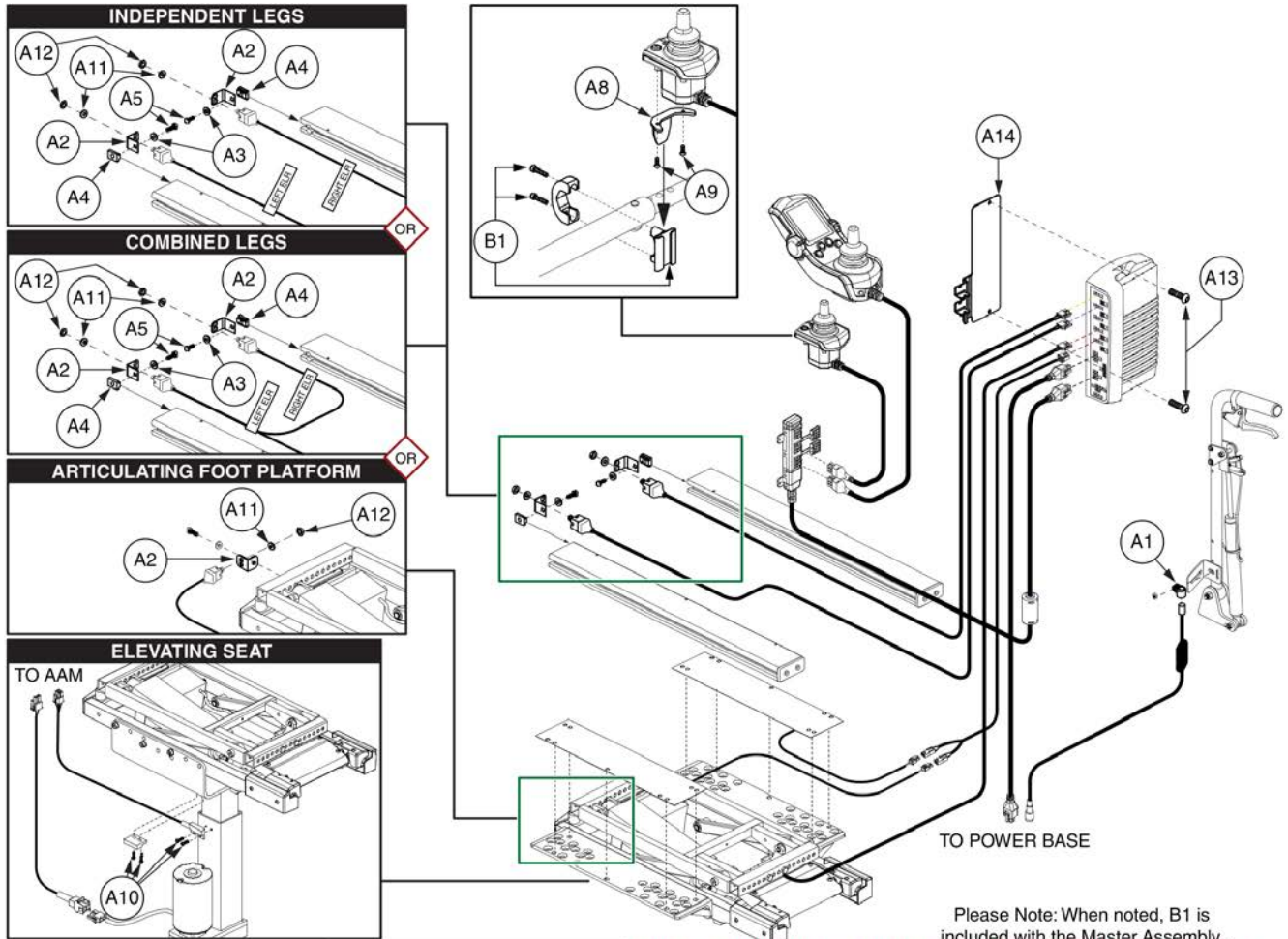
Parts are not pickable from the table, please select parts from the parts list

| CURTIS - Tilt Only with... | Master Assembly | | A1 | A2 | A3 | A4 | A5 | A6 | A7 | A8 | A9 | A10 | A11 | A12 |
|--|-----------------|----------------|----|----|----|----|----|----|----|----|----|-----|-----|-----|
| | Before 1/2/2012 | After 1/2/2012 | | | | | | | | | | | | |
| w/ Pressure Switches (and...) | ELEASMB7110181 | ELEASMB5154 | 1 | | | 2 | 1 | | | | | | | |
| Manual Recline | ELEASMB7110182 | ELEASMB5780 | 1 | | | 2 | 1 | | | | | | | 1 |
| Independent Legs | ELEASMB7110186 | ELEASMB5350 | 1 | | | 2 | 1 | 1 | 1 | | | | | |
| Combined Legs | ELEASMB7110187 | ELEASMB5351 | 1 | | | 2 | 1 | | | 1 | | | | |
| Articulating Foot Platform | ELEASMB7110190 | ELEASMB5602 | 1 | | | 2 | 1 | | 1 | | | | | |
| Tilt Only (R4000/Q614 Program) | ELEASMB7110207 | ELEASMB5813 | 1 | | | 2 | 1 | | | | | | | |
| Manual Recline (R4000/ Q614 Program) | ELEASMB7110210 | ELEASMB5816 | 1 | | | 2 | 1 | | | | | | | 1 |
| Independent Legs (R4000/Q614 Program) | ELEASMB7110211 | ELEASMB5817 | 1 | | | 2 | 1 | 1 | 1 | | | | | |
| Combined Legs (R4000/Q614 Program) | ELEASMB7110213 | ELEASMB5818 | 1 | | | 2 | 1 | | | 1 | | | | |
| w/ No Pressure Switches (and...) | ELEASMB7110192 | ELEASMB5372 | 1 | | | | | | | | | | | |
| Manual Recline | ELEASMB7110193 | ELEASMB5781 | 1 | | | | | | | | | | | 1 |
| Independent Legs | ELEASMB7110194 | ELEASMB5375 | 1 | | | | | | 1 | 1 | | | | |
| Combined Legs | ELEASMB7110206 | ELEASMB5376 | 1 | | | | | | | 1 | | | | |
| Articulating Foot Platform | ELEASMB7110417 | ELEASMB7107 | 1 | | | | | | | 1 | | | | |
| Tilt Only (R4000/Q614 Program) | ELEASMB7110208 | ELEASMB7211 | 1 | | | | | | | | | | | |
| Manual Recline (R4000/Q614 Program) | ELEASMB7110209 | ELEASMB7117 | 1 | | | | | | | | | | | 1 |
| Independent Legs (R4000/Q614 Program) | ELEASMB7110212 | ELEASMB7108 | 1 | | | | | | 1 | 1 | | | | |
| Combined Legs (R4000/Q614 Program) | ELEASMB7110214 | ELEASMB7109 | 1 | | | | | | | 1 | | | | |
| Articulating Foot Platform (R44 Program) | N/A | ELE121670 | 1 | | | | | | | 1 | | | | |
| w/ Elevate (and...) | ELEASMB7110215 | ELEASMB5498 | 1 | | | | | | | | 1 | 1 | 1 | |
| Attendant Control | ELEASMB7110419 | ELEASMB5497 | 1 | 1 | 1 | | | | | | 1 | 1 | 1 | |
| Independent Legs | ELEASMB7110217 | ELEASMB5500 | 1 | | | | | | 1 | 1 | | 1 | 1 | |
| Independent Legs and Attendant Control | ELEASMB7110216 | ELEASMB5499 | 1 | 1 | 1 | | | | 1 | 1 | | 1 | 1 | 1 |
| Combined Legs | ELEASMB7110219 | ELEASMB5502 | 1 | | | | | | | 1 | 1 | 1 | 1 | |
| Combined Legs and Attendant Control | ELEASMB7110218 | ELEASMB5501 | 1 | 1 | 1 | | | | | 1 | 1 | 1 | 1 | |
| Articulating Foot Platform | ELEASMB7110220 | ELEASMB5604 | 1 | | | | | | | 1 | | 1 | 1 | 1 |
| AFP and Attendant Control | ELEASMB7110221 | ELEASMB5605 | 1 | 1 | 1 | | | | | 1 | | 1 | 1 | 1 |

The numbers within the table represent the quantity of each harness for each configuration. A1 A2 A3 A4 A5 A6 A7 A8 A9 A10 A11 A12

| Item | Part No. | Name | Qty |
|------|-------------|---|-----|
| A1 | DWR1111H047 | HARNESS,BUS CABLE,1.0 METER,FEMALE/FEMALE,H-1111-047,(CURTIS:17881302) | 1 |
| A2 | DWR1111H053 | HARNESS,MULTIPLIER BOX,0.3 METER,H-1111-053,(CURTIS: 17869700) | 1 |
| A3 | CTL137822 | CONTROLLER,ATTENDANT CONTROL MODULE 2.0,Q-LOGIC 2 | 1 |
| A4 | DWR1265H001 | ELECTRONIC,SWITCH,PRESSURE,ANTI-PINCH,TB2 TILT | 1 |
| A5 | DWR1265H004 | HARNESS,"Y",ANTI-PINCH SWITCH,TB2 TILT | 1 |
| A6 | DWR1265H006 | ELECTRONIC,HARNESS,INDEPENDENT ELR,CURTIS,TRU-BALANCE TILT 2,LEFT,H-1265-006 | 1 |
| A7 | DWR1265H007 | ELECTRONIC,HARNESS,INDEPENDENT ELR,CURTIS,TRU-BALANCE TILT 2,RIGHT,H-1265-007 | 1 |
| A8 | DWR1265H005 | ELECTRONIC,HARNESS,COMBINED ELR,CURTIS,TRU-BALANCE TILT 2,H-1265-005 | 1 |
| A9 | DWR1265H016 | ELECTRONIC,HARNESS,POWER SEAT INHIBIT,CURTIS,TRUBALANCE TILT 2,H-1265-016 | 1 |
| A10 | DWR1265H017 | ELECTRONIC,HARNESS,POWER SEAT,TRU-BALANCE TILT 2,H-1265-017 | 1 |
| A11 | SWTMAGN1001 | ELECTRONIC,SWITCH,HERMETIC,PRX +8100 | 1 |
| A12 | ELE142519 | HARNESS,COMBINATION,INHIBIT,MANUAL TILT,ROHS | 1 |

1.4. Curtis thru AAM Tilt Assy's



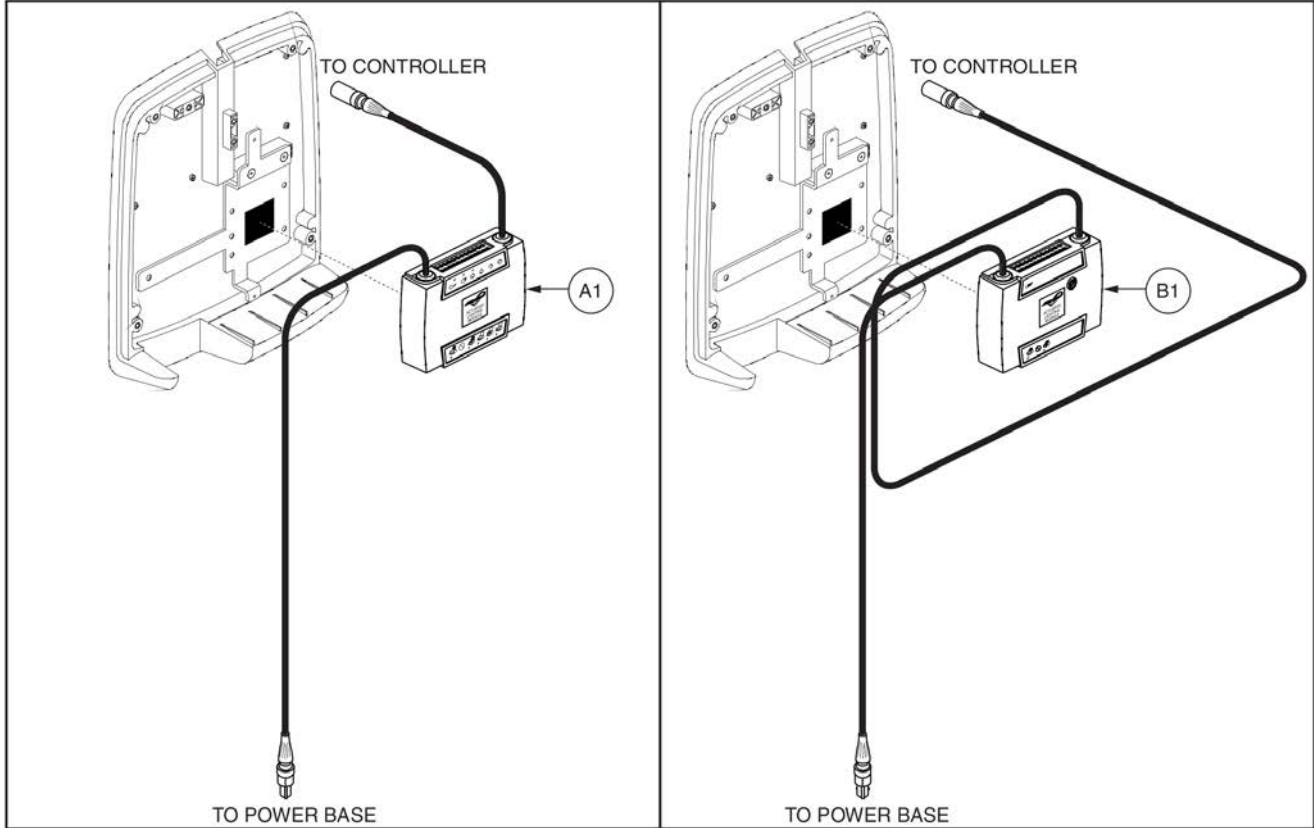
Please Note: When noted, B1 is included with the Master Assembly. Parts are not pickable from the table, please select parts from the parts list

| CURTIS - Tilt Only with... | Master Assembly | | Parts are not pickable from the table, please select parts from the parts list | | | | | | | | | | | | | | |
|-----------------------------------|-----------------|----------------|--|----|----|----|----|----|----|----|----|-----|-----|-----|-----|-----|----|
| | Before 1/2/2012 | After 1/2/2012 | A1 | A2 | A3 | A4 | A5 | A6 | A7 | A8 | A9 | A10 | A11 | A12 | A13 | A14 | B1 |
| w/ Pressure Switches (and...) | ELEASMB7110181 | ELEASMB5154 | | | | | | | | | | | | | | | |
| Manual Recline | ELEASMB7110182 | ELEASMB5780 | 1 | | | | | | | | | | | | 2 | 1 | |
| Independent Legs | ELEASMB7110186 | ELEASMB5350 | | 2 | 2 | 2 | 2 | 5 | 1 | | | | | 2 | 2 | 2 | 1 |
| Combined Legs | ELEASMB7110187 | ELEASMB5351 | | 2 | 2 | 2 | 2 | 5 | 1 | | | | | 2 | 2 | 2 | 1 |
| Articulating Foot Platform | ELEASMB7110190 | ELEASMB5602 | | 1 | | | | 5 | 1 | | | | 1 | 1 | 2 | 1 | |
| Tilt Only (R4000/Q614 Program) | ELEASMB7110207 | ELEASMB5813 | | | | | | | | | | | | | | 2 | 1 |
| Man. Recline (R4000/Q614 Program) | ELEASMB7110210 | ELEASMB5816 | 1 | | | | | | | | | | | | | | 2 |
| Ind. Legs (R4000/Q614 Program) | ELEASMB7110211 | ELEASMB5817 | | 2 | 2 | 2 | 2 | 5 | 1 | | | | 2 | 2 | 2 | 1 | |
| Comb. Legs (R4000/Q614 Program) | ELEASMB7110213 | ELEASMB5818 | | 2 | 2 | 2 | 2 | 5 | 1 | | | | 2 | 2 | 2 | 1 | |
| w/ No Pressure Switches (and...) | ELEASMB7110192 | ELEASMB5372 | | | | | | | | | | | | | | 2 | 1 |
| Manual Recline | ELEASMB7110193 | ELEASMB5781 | 1 | | | | | 5 | 1 | | | | | | | 2 | 1 |
| Independent Legs | ELEASMB7110194 | ELEASMB5375 | | 2 | 2 | 2 | 2 | 5 | 1 | | | | 2 | 2 | 2 | 1 | |
| Combined Legs | ELEASMB7110206 | ELEASMB5376 | | 2 | 2 | 2 | 2 | 5 | 1 | | | | 2 | 2 | 2 | 1 | |
| Articulating Foot Platform | ELEASMB7110417 | ELEASMB7107 | | 1 | | | | 5 | 1 | | | | 1 | 1 | 2 | 1 | |
| Tilt Only (R4000/Q614 Program) | ELEASMB7110208 | ELEASMB7211 | | | | | | | | | | | | | | 2 | 1 |
| Man. Recline (R4000/Q614 Program) | ELEASMB7110209 | ELEASMB7117 | 1 | | | | | | | | | | | | | | 2 |
| Ind. Legs (R4000/Q614 Program) | ELEASMB7110212 | ELEASMB7108 | | 2 | 2 | 2 | 2 | 5 | 1 | | | | 2 | 2 | 2 | 1 | |
| Comb. Legs (R4000/Q614 Program) | ELEASMB7110214 | ELEASMB7109 | | 2 | 2 | 2 | 2 | 5 | 1 | | | | 2 | 2 | 2 | 1 | |
| AFP (R44 Program) | N/A | ELE121670 | | 1 | | | | 5 | 1 | | | | 1 | 1 | 2 | 1 | |
| w/ Elevate (and...) | ELEASMB7110215 | ELEASMB5498 | | | | | | 4 | 1 | | | 4 | | | 2 | 1 | |
| Attendant Control | ELEASMB7110419 | ELEASMB5497 | | | | | | 4 | 1 | 1 | 2 | 4 | | | 2 | 1 | 1 |
| Independent Legs | ELEASMB7110217 | ELEASMB5500 | | 2 | 2 | 2 | 2 | 4 | 1 | | | 4 | 2 | 2 | 2 | 1 | |
| Ind. Legs and Attendant Control | ELEASMB7110216 | ELEASMB5499 | | 2 | 2 | 2 | 2 | 4 | 1 | 1 | 2 | 4 | 2 | 2 | 2 | 1 | 1 |
| Combined Legs | ELEASMB7110219 | ELEASMB5502 | | 2 | 2 | 2 | 2 | 4 | 1 | | | 4 | 2 | 2 | 2 | 1 | |
| Comb. Legs and Attendant Control | ELEASMB7110218 | ELEASMB5501 | | 2 | 2 | 2 | 2 | 4 | 1 | 1 | 2 | 4 | 2 | 2 | 2 | 1 | 1 |
| Articulating Foot Platform | ELEASMB7110220 | ELEASMB5604 | | 1 | | | | 4 | 1 | | | 4 | 1 | 1 | 2 | 1 | |
| AFP & Attend. Control | ELEASMB7110221 | ELEASMB5605 | | 1 | | | | 4 | 1 | 1 | 2 | 4 | 1 | 1 | 2 | 1 | 1 |

The numbers within the table represent the hardware quantities for each configuration.

| Item | Part No. | Name | Qty |
|------|--------------|---|-----|
| A1 | CLPCBLC1025 | CLAMP,CABLE,STEEL,0.50" DIA,RUBBER COATED | 1 |
| A2 | DWR1303B026 | ELECTRICAL CONNECTION BRACKET,ARTICULATING LEGREST | 2 |
| A3 | WASSTND1002 | WASHER,FLAT,BLACK ZINC,0.3125" ID X 0.6875" OD X 0.0625" TH | 2 |
| A4 | NUT8120005 | NUT,T-SLOT,BLACK,M8-1.25 | 2 |
| A5 | SCRHHCS1382 | SCREW,HHCS,BLACK ZINC CHROMATE,M8-1.25 X 12MM,10.9 | 2 |
| A6 | PLSTIE1004 | TIE WRAP,BLACK,8" | 5 |
| A7 | | ELECTRONIC,WRAP,3/8"D,1 FT, SPIRAL | 1 |
| A8 | DWR1010D298 | MOUNTING BRACKET,ATTENDANT BRACKET,CURTIS STAND ALONE JOYSTICK,D-1010-298 | 1 |
| A9 | SCRPPH1165 | SCREW,PPH,BLACK ZINC,M4-.7 X 8MM,P-TYPE | 2 |
| A10 | SCRPPH1031 | SCREW, PPH,BLACK ZINC,4-40 X 3/8" | 4 |
| A11 | WASSTND1155 | WASHER,FLAT,STAINLESS STEEL,.375"ID X .615"OD X .025"TH | 2 |
| A12 | NUTJAM1032 | NUT,JAM,THIN,STAINLESS STEEL,3/8-32 | 2 |
| A13 | SCRPPH1080 | SCREW,PPH,BLACK ZINC,8-32 X 0.75" | 2 |
| A14 | MEC138556 | BRACKET,STRAIN RELIEF,AAM | 1 |
| B1 | FRMASMB10455 | MOUNTING BRACKET,ASSY,ATTENDANT CONTROL,C-1010-285 | 1 |

1.5. Remote Plus ALM / ALM5L Assy's



| ALM/ ALM5L as... | *Master Assembly | Module | |
|--|------------------|--------|-----------|
| Tilt with Pressure Switches (and...) | ELEASMB6387 | A1 | CTLDC1130 |
| ..Manual Recline | ELEASMB5144 | A1 | CTLDC1130 |
| ..Independent and Combined Legs | ELEASMB5348 | A1 | CTLDC1130 |
| ..Combined Legs | ELEASMB5349 | A1 | CTLDC1130 |
| ..Articulating Foot Platform | ELEASMB5530 | A1 | CTLDC1130 |
| Tilt without Pressure Switches (and...) | ELEASMB6391 | A1 | CTLDC1130 |
| ..Manual Recline | ELEASMB5368 | A1 | CTLDC1130 |
| ..Independent and Combined Legs | ELEASMB5373 | A1 | CTLDC1130 |
| ..Combined Legs | ELEASMB5374 | A1 | CTLDC1130 |
| ..Articulating Foot Platform | ELEASMB7104 | A1 | CTLDC1130 |
| Tilt with External Dual Switch and... | *Master Assembly | Module | |
| ..Manual Recline with Pressure Switches | ELEASMB5145 | B1 | CTLDC1373 |
| ..Manual Recline, No Pressure Switches | ELEASMB5369 | B1 | CTLDC1373 |
| ..External Dual Switch, with Pressure Switches | ELEASMB6388 | B1 | CTLDC1373 |
| ..External Dual Switch, No Pressure Switches | ELEASMB6392 | B1 | CTLDC1373 |
| Tilt with Single Switch through ALM and... | *Master Assembly | Module | |
| ..Tilt Only with Pressure Switches | ELEASMB5151 | B1 | CTLDC1373 |
| ..Tilt Only, No Pressure Switches | ELEASMB7095 | B1 | CTLDC1373 |

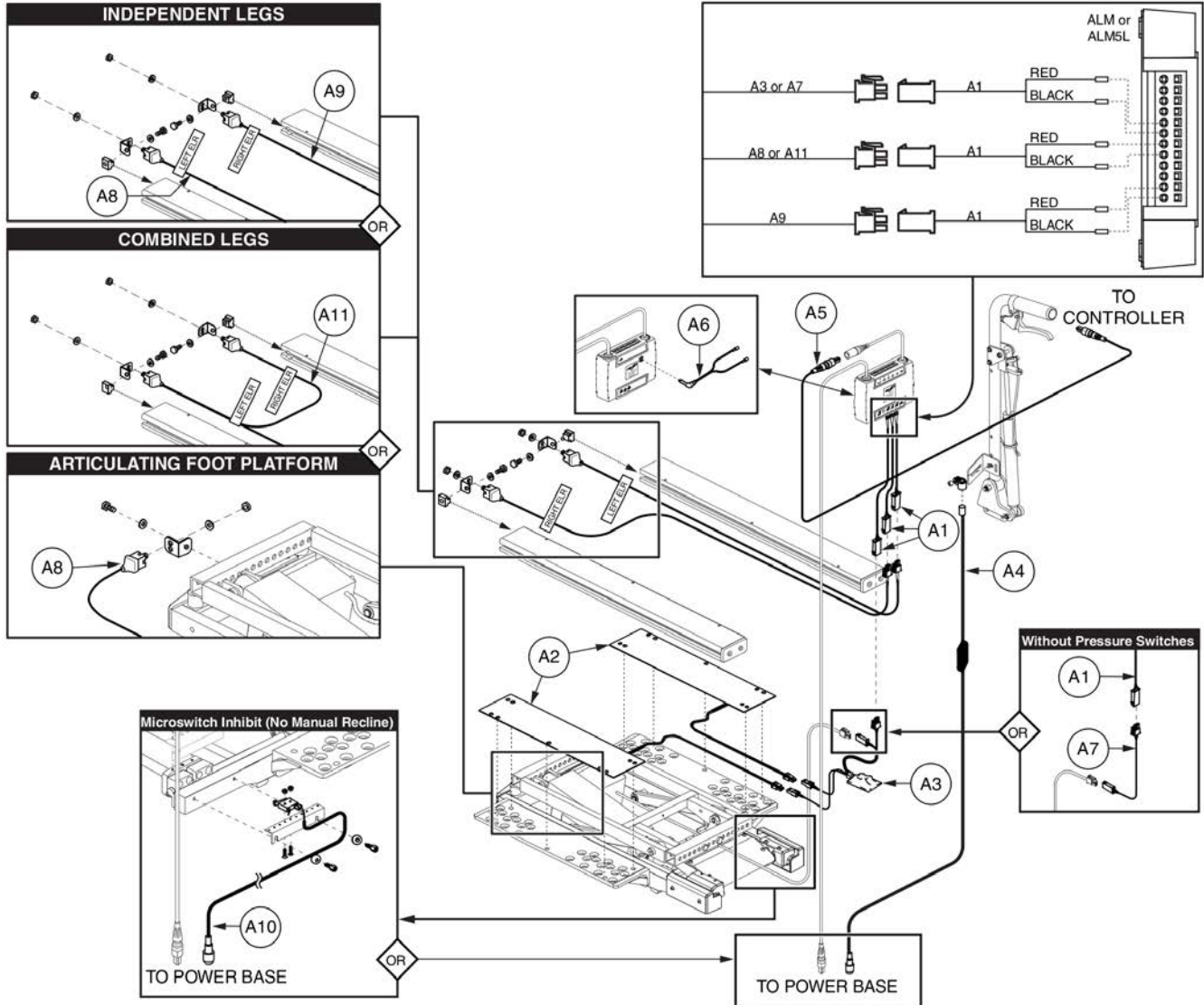
*Master assemblies contain ALM or ALM5L modules in addition to harnesses and hardware components, which are not shown. Reference component pages for illustrations and parts lists with the Master Assembly part number in the table. Lower-case letters designate modules in assemblies with the matching lower-case letter.

Remote Plus, ALM-ALM5L Master Level Table



| Item | Part No. | Name | Qty |
|------|-----------|---|-----|
| A1 | CTLDC1130 | ELECTRONIC,MODULE,ALM-5L (5 ACTUATOR AND LIGHTING DUAL CABLE),(P&G: D49970) | 1 |
| B1 | CTLDC1373 | ALM MODULE,ATTENDANT CONTROL FOR TILT,H-1010-078 | 1 |

1.5. Remote Plus ALM / ALM5L Assy's

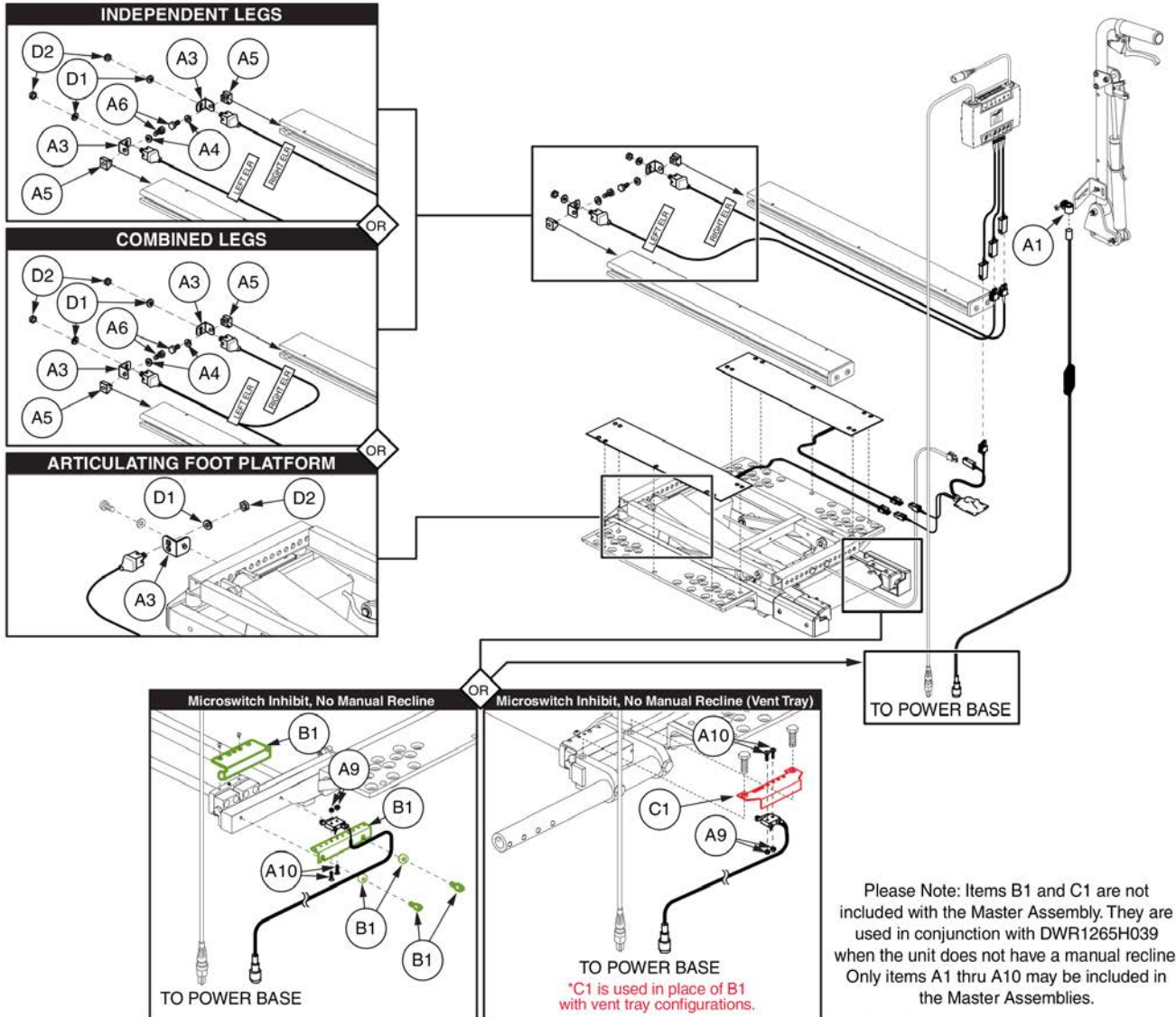


| ALM/ ALM5L as... | Master Assembly | A1 | A2 | A3 | A4 | A5 | A6 | A7 | A8 | A9 | A10 | A11 |
|--|-----------------|----|----|----|----|----|----|----|----|----|-----|-----|
| Tilt with Pressure Switches (and...) | ELEASMB6387 | 1 | 2 | 1 | | 1 | | | | | 1 | |
| ..Manual Recline | ELEASMB5144 | 1 | 2 | 1 | 1 | 1 | | | | | | |
| ..Independent and Combined Legs | ELEASMB5348 | 3 | 2 | 1 | | 1 | | | 1 | 1 | 1 | |
| ..Combined Legs | ELEASMB5349 | 2 | 2 | 1 | | 1 | | | | | 1 | 1 |
| ..Articulating Foot Platform | ELEASMB5530 | 2 | 2 | 1 | | 1 | | | | 1 | 1 | |
| Tilt without Pressure Switches (and...) | ELEASMB6391 | 1 | | | | 1 | | 1 | | | 1 | |
| ..Manual Recline | ELEASMB5368 | 1 | | | 1 | 1 | | 1 | | | | |
| ..Independent and Combined Legs | ELEASMB5373 | 3 | | | | 1 | | 1 | 1 | 1 | 1 | |
| ..Combined Legs | ELEASMB5374 | 2 | | | | 1 | | 1 | | | 1 | 1 |
| ..Articulating Foot Platform | ELEASMB7104 | 2 | | | | 1 | | 1 | | 1 | 1 | |
| Tilt with External Dual Switch (and...) | Master Assembly | A1 | A2 | A3 | A4 | A5 | A6 | A7 | A8 | A9 | A10 | A11 |
| ..Manual Recline with Pressure Switches | ELEASMB5145 | 1 | 2 | 1 | 1 | | 1 | | | | | |
| ..Manual Recline, No Pressure Switches | ELEASMB5369 | 1 | | | 1 | | 1 | 1 | | | | |
| ..External Dual Switch, with Pressure Switches | ELEASMB6388 | 1 | 2 | 1 | | | 1 | | | | 1 | |
| ..External Dual Switch, No Pressure Switches | ELEASMB6392 | 1 | | | | | 1 | 1 | | | 1 | |
| Tilt with Single Switch through ALM (and...) | Master Assembly | A1 | A2 | A3 | A4 | A5 | A6 | A7 | A8 | A9 | A10 | A11 |
| ..Tilt Only with Pressure Switches | ELEASMB5151 | 1 | 2 | 1 | | 1 | | | | | 1 | |
| ..Tilt Only, No Pressure Switches | ELEASMB7095 | 1 | | | | 1 | | 1 | | | 1 | |

The numbers within the table represent the quantity of each harness for each configuration.

| Item | Part No. | Name | Qty |
|------|-------------|--|-----|
| A1 | DWR1265H019 | HARNES,ACTUATOR INTERFACE,TB2 TILT | 1 |
| A2 | DWR1265H001 | ELECTRONIC,SWITCH,PRESSURE,ANTI-PINCH,TB2 TILT | 1 |
| A3 | DWR1265H011 | ELECTRONIC,HARNES,TAPE SWITCH RELAY,GEN 2,TB2 TILT | 1 |
| A4 | ELE142519 | HARNES,COMBINATION,INHIBIT,MANUAL TILT,ROHS | 1 |
| A5 | | ELECTRONIC,HARNES,1.16 LONG,REDEL CABLE, REMOTE PLUS,JOYSTICK TO TRAY,H-1010-049 | 1 |
| A6 | DWR1361H037 | HARNES,SINGLE BUTTON "Y" CONNECTION | 1 |
| A7 | DWR1265H028 | HARNES,TAPE SWITCH RELAY BY-PASS,TILT | 1 |
| A8 | DWR1265H006 | ELECTRONIC,HARNES,INDEPENDENT ELR,CURTIS,TRU-BALANCE TILT 2,LEFT,H-1265-006 | 1 |
| A9 | DWR1265H007 | ELECTRONIC,HARNES,INDEPENDENT ELR,CURTIS,TRU-BALANCE TILT 2,RIGHT,H-1265-007 | 1 |
| A10 | DWR1265H039 | HARNES,MICROSWITCH INHIBIT,TILT | 1 |
| A11 | DWR1265H005 | ELECTRONIC,HARNES,COMBINED ELR,CURTIS,TRU-BALANCE TILT 2,H-1265-005 | 1 |

1.5. Remote Plus ALM / ALM5L Assy's

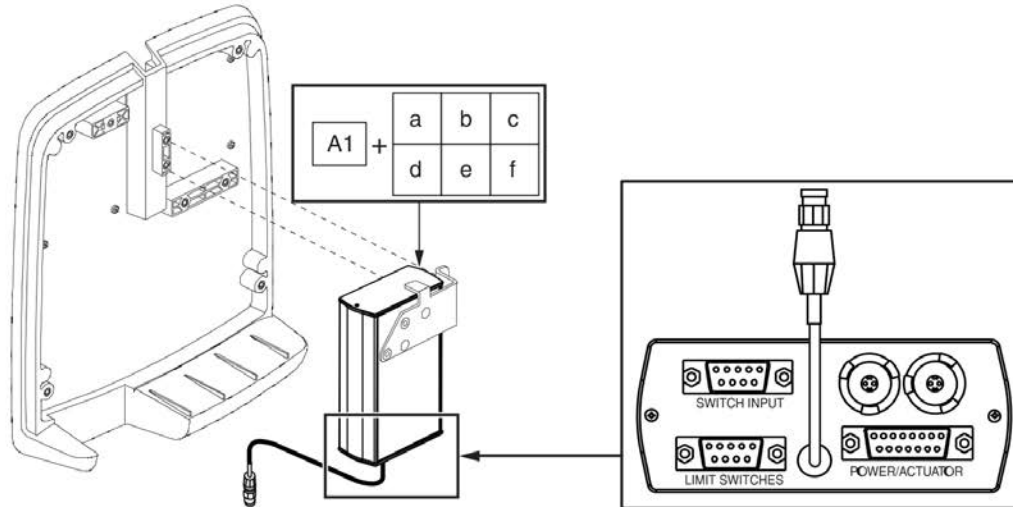


| ALM/ ALM5L as... | Master Assembly | A1 | A2 | A3 | A4 | A5 | A6 | A7 | A8 | A9 | A10 | *B1 | *C1 | D1 | D2 |
|--|-----------------|----|----|----|----|----|----|----|----|----|-----|-----|-----|----|----|
| Tilt with Pressure Switches (and...) | ELEASMB6387 | | | | | | | | | 2 | 2 | 1 | 1 | | |
| ..Manual Recline | ELEASMB5144 | 1 | 1 | | | | | | | | | | | | |
| ..Independent and Combined Legs | ELEASMB5348 | | | 2 | 2 | 2 | 2 | 5 | 1 | 2 | 2 | 1 | 1 | 2 | 2 |
| ..Combined Legs | ELEASMB5349 | | | 2 | 2 | 2 | 2 | 5 | 1 | 2 | 2 | 1 | 1 | 2 | 2 |
| ..Articulating Foot Platform | ELEASMB5530 | | | 1 | | | | 5 | 1 | 2 | 2 | 1 | 1 | 1 | 1 |
| Tilt without Pressure Switches (and...) | ELEASMB6391 | | | | | | | | | 2 | 2 | 1 | 1 | | |
| ..Manual Recline | ELEASMB5368 | 1 | 1 | | | | | | | | | | | | |
| ..Independent and Combined Legs | ELEASMB5373 | | | 2 | 2 | 2 | 2 | 5 | 1 | 2 | 2 | 1 | 1 | 2 | 2 |
| ..Combined Legs | ELEASMB5374 | | | 2 | 2 | 2 | 2 | 5 | 1 | 2 | 2 | 1 | 1 | 2 | 2 |
| ..Articulating Foot Platform | ELEASMB7104 | | | 1 | | | | 5 | 1 | 2 | 2 | 1 | 1 | 1 | 1 |
| Tilt with External Dual Switch and... | Master Assembly | A1 | A2 | A3 | A4 | A5 | A6 | A7 | A8 | A9 | A10 | *B1 | *C1 | D1 | D2 |
| ..Manual Recline with Pressure Switches | ELEASMB5145 | 1 | 1 | | | | | | | | | | | | |
| ..Manual Recline, No Pressure Switches | ELEASMB5369 | 1 | 1 | | | | | | | | | | | | |
| ..External Dual Switch, with Pressure Switches | ELEASMB6388 | | | | | | | | | 2 | 2 | 1 | 1 | | |
| ..External Dual Switch, No Pressure Switches | ELEASMB6392 | | | | | | | | | 2 | 2 | 1 | 1 | | |
| Tilt with Single Switch through ALM and... | Master Assembly | A1 | A2 | A3 | A4 | A5 | A6 | A7 | A8 | A9 | A10 | *B1 | *C1 | D1 | D2 |
| ..Tilt Only with Pressure Switches | ELEASMB5151 | | | | | | | 4 | 1 | 2 | 2 | 1 | 1 | | |
| ..Tilt Only, No Pressure Switches | ELEASMB7095 | | | | | | | 4 | 1 | 2 | 2 | 1 | 1 | | |

The numbers within the table represent the quantity of each harness for each configuration.

| Item | Part No. | Name | Qty |
|------|--------------|--|-----|
| A1 | CLPCBLC1025 | CLAMP,CABLE,STEEL,0.50" DIA,RUBBER COATED | 1 |
| A2 | SCRASBH1148 | SCREW,BHSCS,BLACK ZINC,1/4-20 X 0.50",W/PATCH | 1 |
| A3 | DWR1303B026 | ELECTRICAL CONNECTION BRACKET,ARTICULATING LEGREST | 1 |
| A4 | WASSTND1002 | WASHER,FLAT,BLACK ZINC,0.3125" ID X 0.6875" OD X 0.0625" TH | 1 |
| A5 | NUT8120005 | NUT,T-SLOT,BLACK,M8-1.25 | 1 |
| A6 | SCRHHCS1382 | SCREW,HHCS,BLACK ZINC CHROMATE,M8-1.25 X 12MM,10.9 | 1 |
| A7 | PLSTIE1004 | TIE WRAP,BLACK,8" | 1 |
| A8 | | ELECTRONIC,WRAP,3/8"D,1 FT, SPIRAL | 1 |
| A9 | NUTNYLK1106 | NUT,NYLOCK,BLACK ZINC,2-56,GRADE 2 | 1 |
| A10 | SCRPFH1076 | SCREW,PFH,STAINLESS STEEL,2-56 X 0.50" | 1 |
| B1 | FRMASMB14496 | MOUNTING BRACKET,ASSY,INHIBIT MICROSWITCH,TB2 TILT | 1 |
| C1 | | MOUNTING BRACKET,INHIBIT MICROSWITCH,TB2 TILT,ARTICULATING VENT TRAY | 1 |
| D1 | WASSTND1155 | WASHER,FLAT,STAINLESS STEEL,.375"ID X .615"OD X .025"TH | 1 |
| D2 | NUTJAM1032 | NUT,JAM,THIN,STAINLESS STEEL,3/8-32 | 1 |

1.6. Remote Plus Switch-it Tilt Assy's



**The Switch-It Box requires a selection in the Program column for desired power functions.

REMOTE PLUS Switch-It Box...

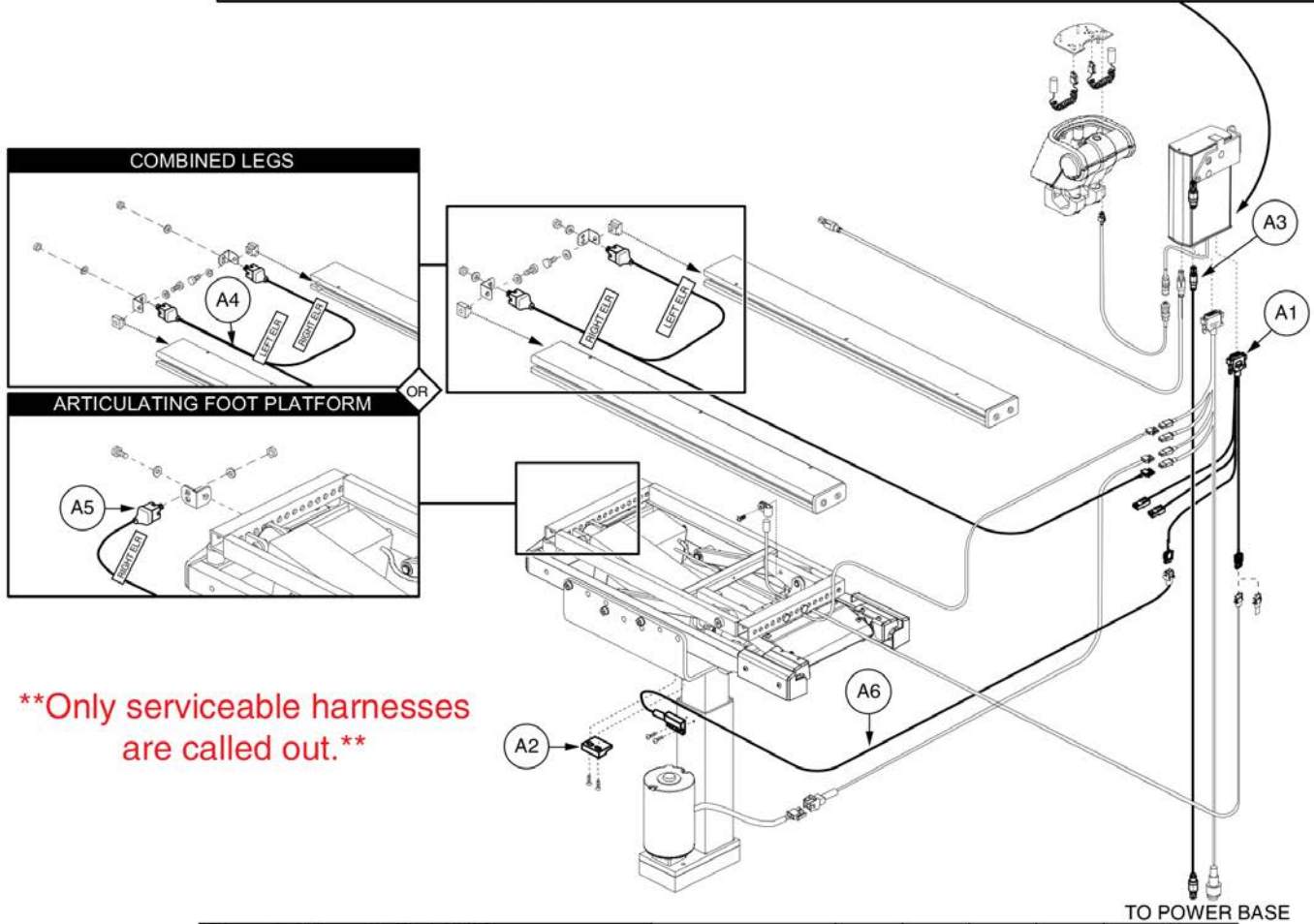
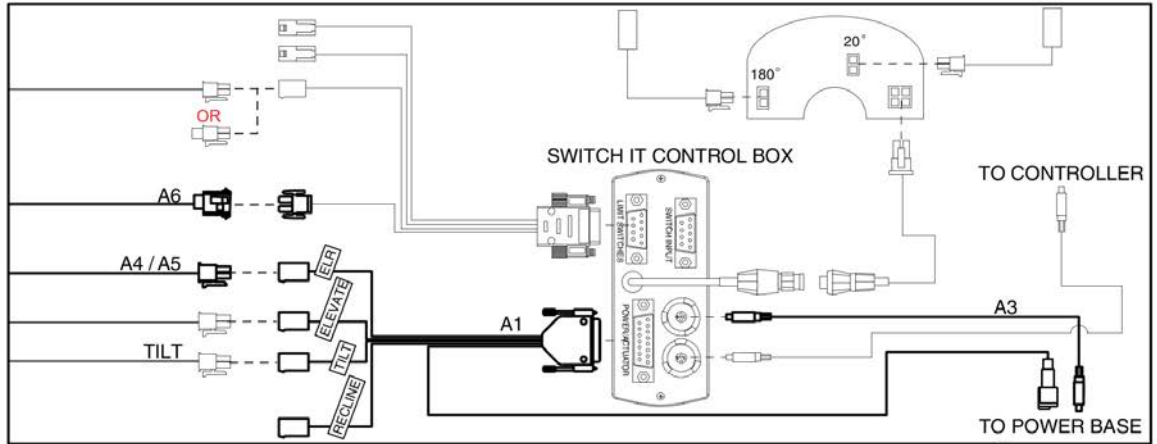
| ... w/ Tilt and... | *Master Assembly* | Switch-It Box** | Program | Dip Switch Setting |
|---|-------------------|-------------------------|--------------------|--------------------|
| Elevate with Attendant Control | ELEASMB5158 | A1 (order a program) | a DWR1367H009 | |
| Elevate | ELEASMB5159 | A1 (order a program) | b DWR1367H030 | |
| Elevate, Combined Legs with Attendant Control | ELEASMB5160 | A1 (order a program) | c/e DWR1367H021 | |
| Elevate, Combined Legs | ELEASMB5161 | A1 (order a program) | d/f DWR1367H031 | |
| Elevate, Articulating Foot Platform through Attendant Control | ELEASMB5531 | A1 (order a program) | c/e DWR1367H021 | |
| Elevate, Articulating Foot Platform | ELEASMB5532 | A1 (order a program) | d/f DWR1367H031 | |
| | *Master Assembly* | Switch-It Box** | Program | Dip Switch Setting |

*Master assemblies contain harnesses and hardware components, which are not shown. Hardware components are not available separately; the master assembly must be ordered. Lower case letters designate Switch-It box programs for assemblies with the matching upper case letter.



| Item | Part No. | Name | Qty |
|------|-------------|--|-----|
| A1 | | ELECTRONIC,CONTROL BOX,4 ACTUATOR | 1 |
| a | DWR1367H009 | SWITCH-IT DIP SWITCH CONFIG.,TILT/ELEVATE | 1 |
| b | DWR1367H030 | SWITCH-IT DIP SWITCH CONFIG.,TILT/ELEVATE,THRU JOYSTICK/TOGGLE | 1 |
| c/e | DWR1367H021 | SWITCH-IT DIP SWITCH CONFIG.,TILT/ELEVATE/COMBINED LEGS | 1 |
| d/f | DWR1367H031 | SWITCH-IT DIP SWITCH CONFIG.,TILT/ELEVATE/COMBINED LEGS,THRU JOYSTICK/TOGGLE | 1 |

1.6. Remote Plus Switch-it Tilt Assy's



****Only serviceable harnesses are called out.****

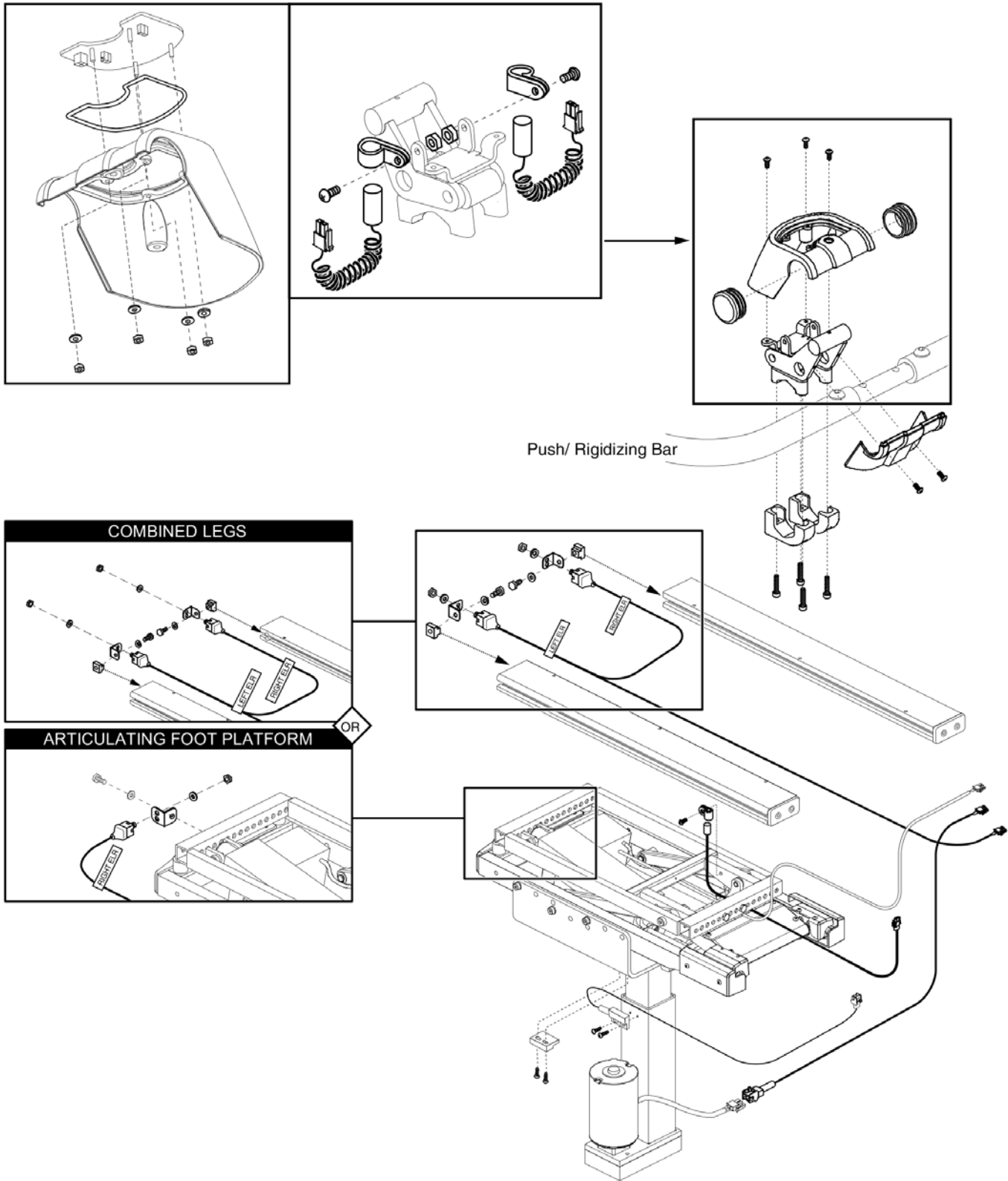
| Remote Plus, Switch-It Box... | Master Assembly | A1 | A2 | A3 | A4 | A5 | A6 |
|-------------------------------------|-----------------|----|----|----|----|----|----|
| ... w/ Tilt and... | | | | | | | |
| Elevate with Attendant Control | ELEASMB5158 | 1 | 1 | 1 | | | 1 |
| Elevate | ELEASMB5159 | 1 | 1 | 1 | | | 1 |
| Elevate, CL with Attendant Control | ELEASMB5160 | 1 | 1 | 1 | 1 | | 1 |
| Elevate, CL | ELEASMB5161 | 1 | 1 | 1 | 1 | | 1 |
| Elevate, AFP with Attendant Control | ELEASMB5531 | 1 | 1 | 1 | | 1 | 1 |
| Elevate, AFP | ELEASMB5532 | 1 | 1 | 1 | | 1 | 1 |

Note CL: Combined Legs, IL: Independent Legs
AFP: Articulating Foot Platform

The numbers within the table represent the quantity of each harness for each configuration.

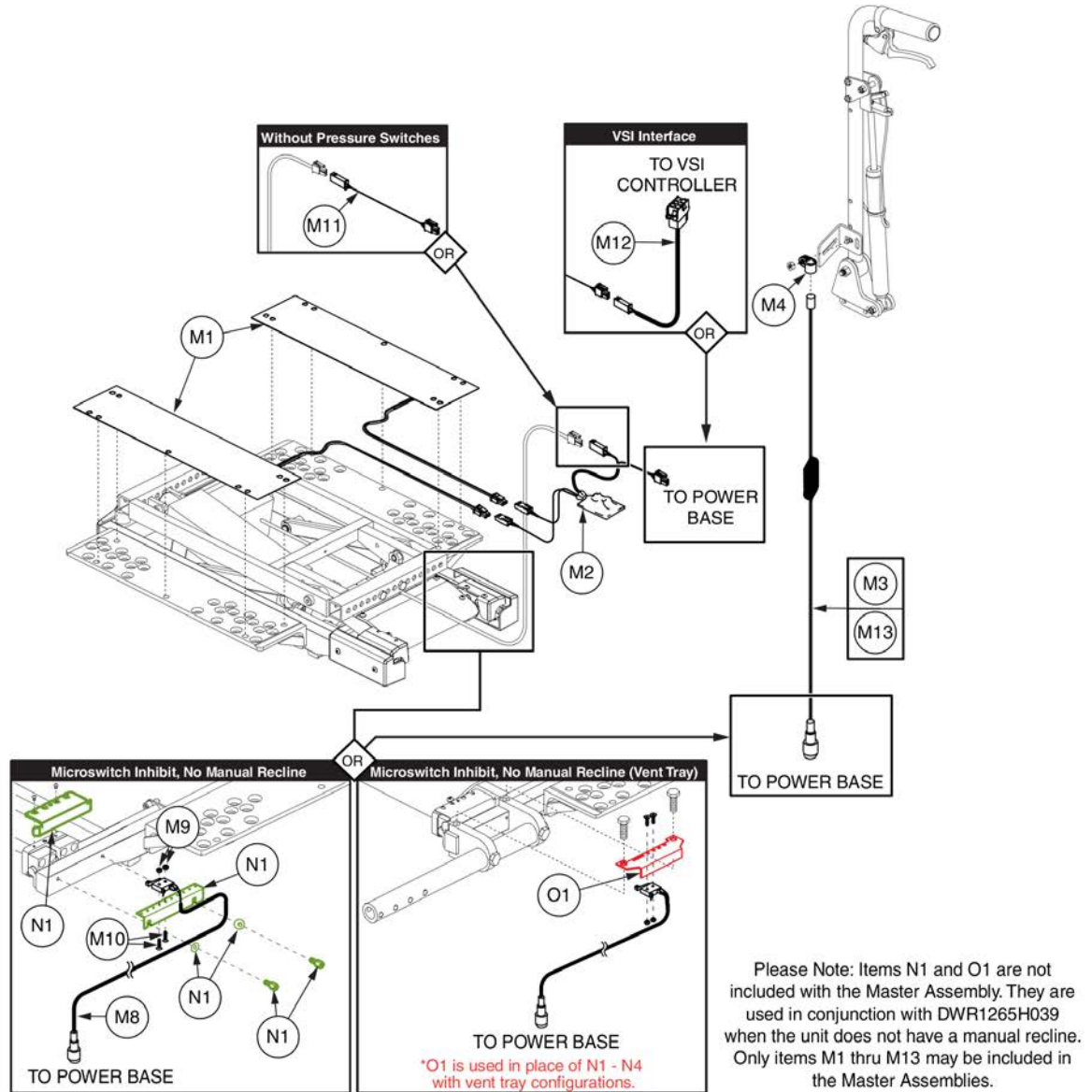
| Item | Part No. | Name | Qty |
|------|-------------|--|-----|
| A1 | | HARNES,POWER OPTIONS INHIBIT,TB2 TILT | 1 |
| A2 | SWTMAGN1001 | ELECTRONIC,SWITCH,HERMETIC,PRX +8100 | 1 |
| A3 | | ELECTRONIC,HARNES,1.16 LONG,REDEL CABLE, REMOTE PLUS,JOYSTICK TO TRAY,H-1010-049 | 1 |
| A4 | DWR1265H005 | ELECTRONIC,HARNES,COMBINED ELR,CURTIS,TRU-BALANCE TILT 2,H-1265-005 | 1 |
| A5 | DWR1265H007 | ELECTRONIC,HARNES,INDEPENDENT ELR,CURTIS,TRU-BALANCE TILT 2,RIGHT,H-1265-007 | 1 |
| A6 | | HARNES,POWER SEAT INHIBIT,SWITCH-IT,TB2 TILT | 1 |

1.6. Remote Plus Switch-it Tilt Assy's



This page intentionally left blank

1.7. Dynamic Shark/ PG Drives VSI & VR2 Assy's



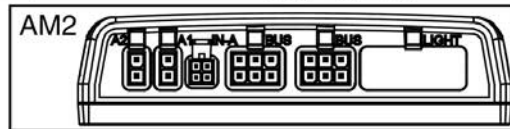
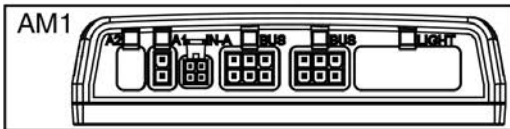
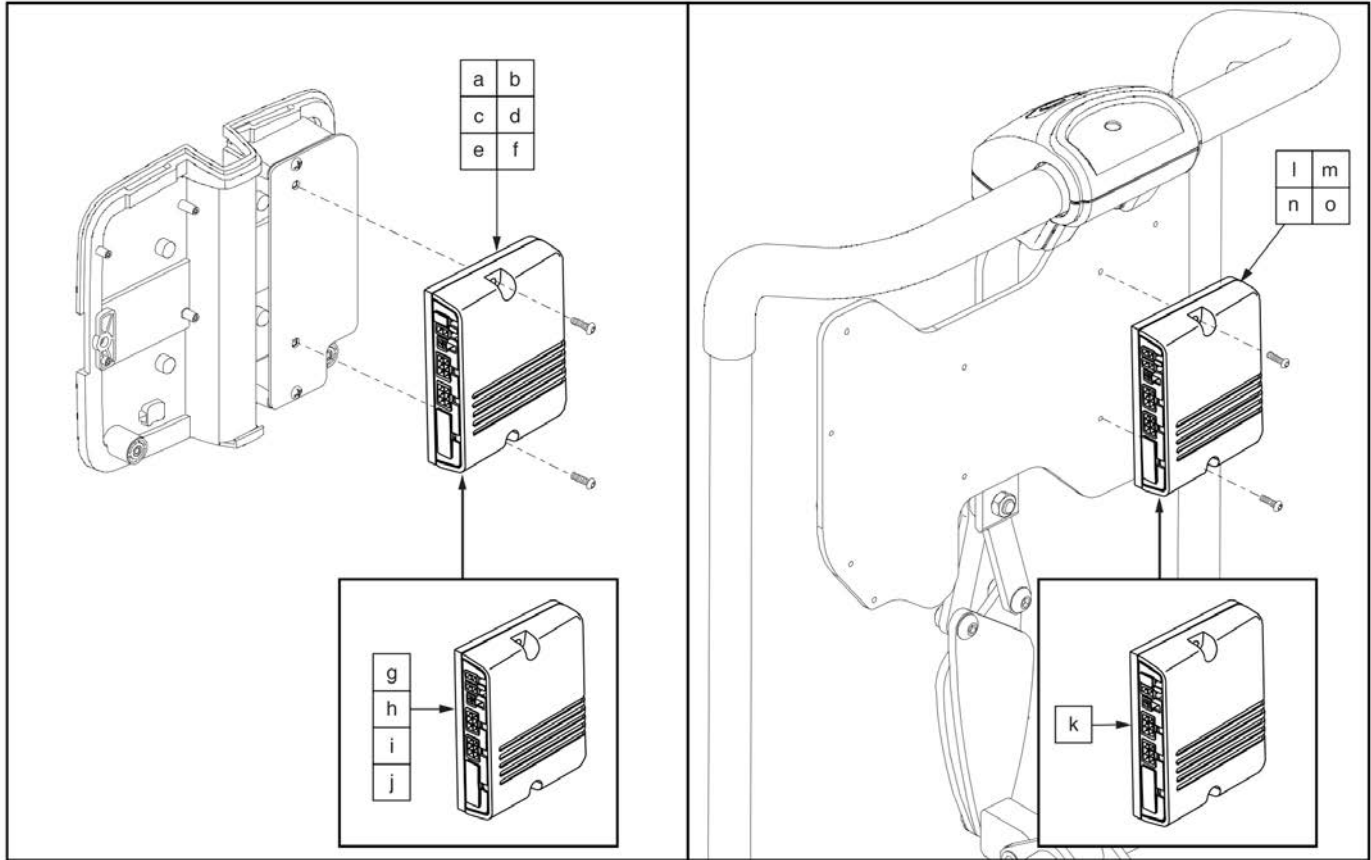
Master Assemblies are not pickable from table, please select from the parts list

| Shark and... | Master Assembly | M1 | M2 | M3 | M4 | M5 | M6 | M7 | M8 | M9 | M10 | M11 | M12 | M13 | *N1 | *O1 |
|---|------------------|----|----|----|----|----|----|----|----|----|-----|-----|-----|-----|-----|-----|
| ..with Pressure Switches | A1 ELEASMB6397 | 2 | 1 | | | | 4 | 1 | 1 | 2 | 2 | | | | 1 | 1 |
| ..No Pressure Switches | B1 ELEASMB7097 | | | | | | 4 | 1 | 1 | 2 | 2 | 1 | | | 1 | 1 |
| ..Manual Recline with Pressure Switches | C1 ELEASMB5998 | 2 | 1 | 1 | 1 | 1 | 4 | 1 | | | | | | | | |
| ..Manual Recline, No Pressure Switches | D1 ELEASMB7096 | | | 1 | 1 | 1 | 4 | 1 | | | | 1 | | | | |
| VSI and... | Master Assembly | M1 | M2 | M3 | M4 | M5 | M6 | M7 | M8 | M9 | M10 | M11 | M12 | M13 | *N1 | *O1 |
| ..with Pressure Switches | E1 ELEASMB6386 | 2 | 1 | | | | 4 | 1 | 1 | 2 | 2 | | 1 | | 1 | 1 |
| ..No Pressure Switches | F1 ELEASMB6390 | | | | | | 4 | 1 | 1 | 2 | 2 | 1 | 1 | | 1 | 1 |
| ..Manual Recline with Pressure Switches | G1 ELEASMB5143 | 2 | 1 | 1 | 1 | 1 | 4 | 1 | | | | | 1 | | | |
| ..Manual Recline, No Pressure Switches | H1 ELEASMB5366 | | | 1 | 1 | 1 | 4 | 1 | | | | 1 | 1 | | | |
| VR2 and... | Master Assembly | M1 | M2 | M3 | M4 | M5 | M6 | M7 | M8 | M9 | M10 | M11 | M12 | M13 | *N1 | *O1 |
| ..with Pressure Switches | I1 ELEASMB6396 | 2 | 1 | | | | 4 | 1 | 1 | 2 | 2 | | | | 1 | 1 |
| ..No Pressure Switches | J1 ELEASMB7099 | | | | | | 4 | 1 | 1 | 2 | 2 | 1 | | | 1 | 1 |
| ..Manual Recline with Pressure Switches | K1 ELEASMB5694 | 2 | 1 | | 1 | 1 | 4 | 1 | | | | | | 1 | | |
| ..Manual Recline, No Pressure Switches | L1 ELEASMB7098 | | | | 1 | 1 | 4 | 1 | | | | 1 | 1 | | | |

The numbers within the table represent the quantity of each harness for each configuration.

| Item | Part No. | Name | Qty |
|------|--------------|--|-----|
| A1 | ELEASMB6397 | SHARK,THRU JOYSTICK,W/PRESSURE SWITCH,TB2 TILT | 1 |
| B1 | ELEASMB7097 | SHARK,THRU JOYSTICK,TB2 TILT | 1 |
| C1 | ELEASMB5998 | SHARK,THRU JOYSTICK W/MANUAL RECLINE,W/PRESSURE SWITCH,TB2 TILT | 1 |
| D1 | ELEASMB7096 | SHARK,THRU JOYSTICK W/MANUAL RECLINE,TB2 TILT | 1 |
| E1 | ELEASMB6386 | VSI,THRU JOYSTICK,W/PRESSURE SWITCH,TB2 TILT | 1 |
| F1 | ELEASMB6390 | VSI,THRU JOYSTICK,W/O PRESSURE SWITCH,TB2 TILT | 1 |
| G1 | ELEASMB5143 | VSI,THRU JOYSTICK,W/MANUAL RECLINE,W/PRESSURE SWITCH,TB2 TILT | 1 |
| H1 | ELEASMB5366 | VSI,THRU JOYSTICK W/MANUAL RECLINE,W/O PRESSURE SWITCH,TB2 TILT | 1 |
| I1 | ELEASMB6396 | VR2,THRU JOYSTICK,W/PRESSURE SWITCH,TB2 TILT | 1 |
| J1 | ELEASMB7099 | VR2,THRU JOYSTICK,W/O PRESSURE SWITCH,TB2 TILT | 1 |
| K1 | ELEASMB5694 | VR2,THRU JOYSTICK W/MANUAL RECLINE,W/PRESSURE SWITCH,TB2 TILT | 1 |
| L1 | ELEASMB7098 | VR2,THRU JOYSTICK W/MANUAL RECLINE,W/O PRESSURE SWITCH,TB2 TILT | 1 |
| M1 | DWR1265H001 | ELECTRONIC,SWITCH,PRESSURE,ANTI-PINCH,TB2 TILT | 1 |
| M2 | DWR1265H011 | ELECTRONIC,HARNESS,TAPE SWITCH RELAY,GEN 2,TB2 TILT | 1 |
| M3 | ELE142519 | HARNESS,COMBINATION,INHIBIT,MANUAL TILT,ROHS | 1 |
| M4 | CLPCBLC1025 | CLAMP,CABLE,STEEL,0.50" DIA,RUBBER COATED | 1 |
| M5 | SCRASBH1148 | SCREW,BHSCS,BLACK ZINC,1/4-20 X 0.50",W/PATCH | 1 |
| M6 | PLSTIE1004 | TIE WRAP,BLACK,8" | 1 |
| M7 | | ELECTRONIC,WRAP,3/8"D,1 FT, SPIRAL | 1 |
| M8 | DWR1265H039 | HARNESS,MICROSWITCH INHIBIT,TILT | 1 |
| M9 | NUTNYLK1106 | NUT,NYLOCK,BLACK ZINC,2-56,GRADE 2 | 1 |
| M10 | SCRPPH1076 | SCREW, PPH,ZINC,M3 X .5T X 12MM | 1 |
| M11 | DWR1265H028 | HARNESS,TAPE SWITCH RELAY BY-PASS,TILT | 1 |
| M12 | DWR1265H024 | HARNESS,VSI CONTROLLER,TB2 TILT | 1 |
| M13 | ELE142518 | HARNESS,COMBINATION,INHIBIT,G2,ROHS | 1 |
| N1 | FRMASMB14496 | MOUNTING BRACKET,ASSY,INHIBIT MICROSWITCH,TB2 TILT | 1 |
| O1 | | MOUNTING BRACKET,INHIBIT MICROSWITCH,TB2 TILT,ARTICULATING VENT TRAY | 1 |

2.1. Curtis thru AM1 / AM2 Assy's



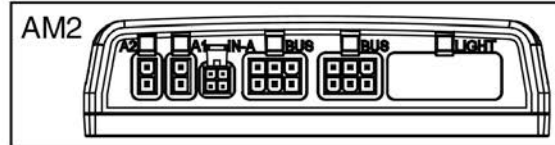
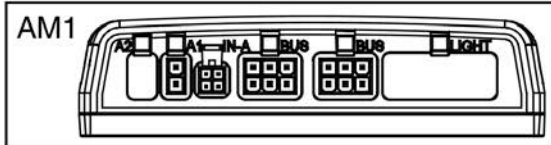
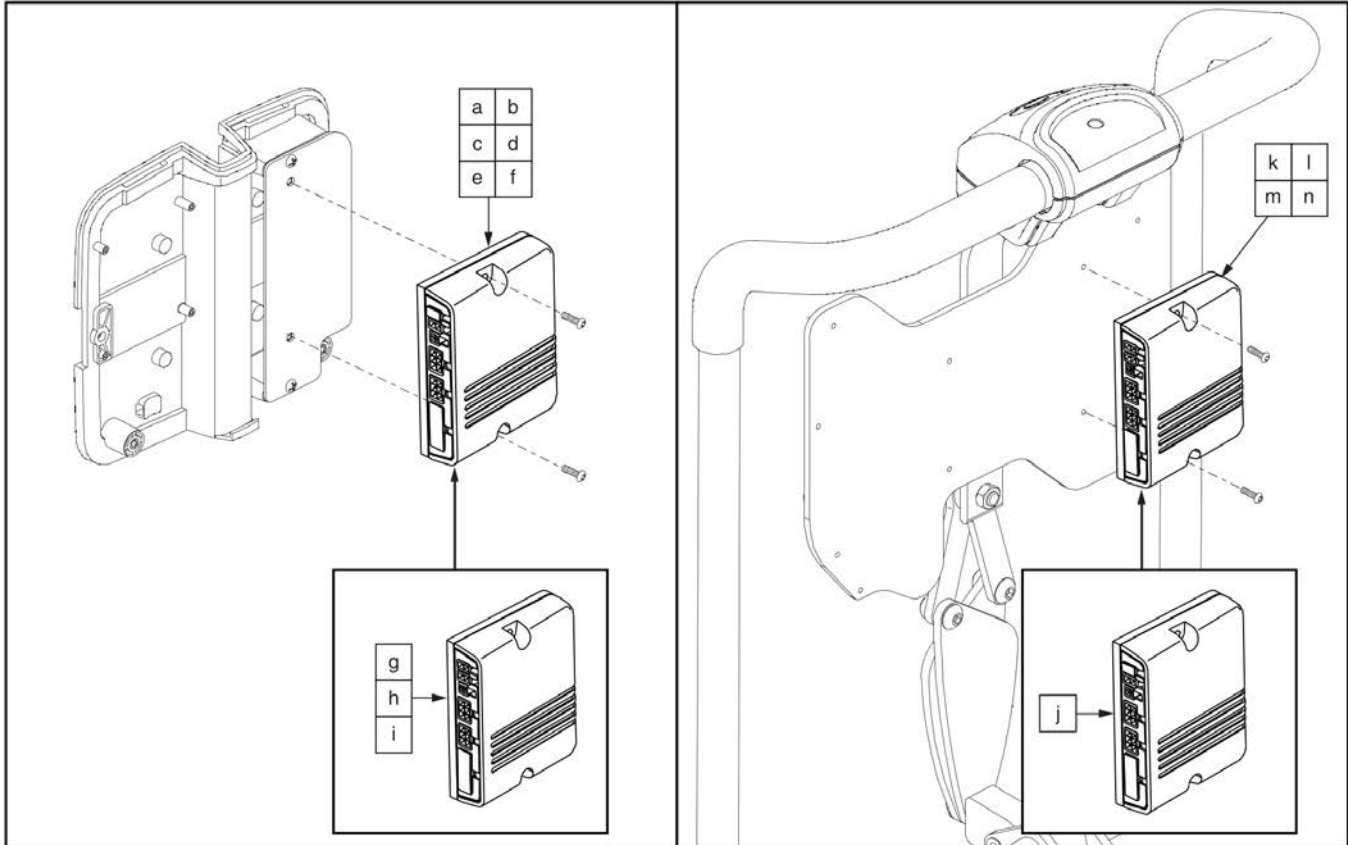
| | | |
|---------------------------------------|-------------------------|--------------------------------|
| Tilt (AM1) and... | *Master Assembly | Module w/ Programming ⚠ |
| R4000/ Q614, No Pressure Switches | A1 ELEASMB7102 | a/b ELEASMB6578 |
| R4000/ Q614 with Pressure Switches | B1 ELEASMB6574 | a/b ELEASMB6578 |
| Manual Recline with Pressure Switches | C1 ELEASMB6036 | c/d/e/f ELEASMB6043 |
| Manual Recline, No Pressure Switches | D1 ELEASMB7100 | c/d/e/f ELEASMB6043 |
| No Pressure Switches | E1 ELEASMB6573 | c/d/e/f ELEASMB6043 |
| Pressure Switches | F1 ELEASMB6035 | c/d/e/f ELEASMB6043 |
| Tilt (AM2) and... | *Master Assembly | Module w/ Programming ⚠ |
| AFP, No Pressure Switches | G1 ELEASMB7101 | g/h ELEASMB6433 |
| AFP with Pressure Switches | H1 ELEASMB6429 | g/h ELEASMB6433 |
| Elevate | I1 ELEASMB7159 | i ELEASMB7162 |
| R44 AFP, No Pressure Switches | J1 ELE121679 | j ELE121680 |
| Recline and.. | *Master Assembly | Module w/ Programming ⚠ |
| Recline Only (AM1) | K1 ELEASMB6640 | k ELEASMB6045 |
| AFP (AM2) | L1 ELEASMB6641 | l ELEASMB6435 |
| Elevate (AM2) | M1 ELEASMB7160 | m ELEASMB7163 |
| Tilt, Recline, and... | *Master Assembly | Module w/ Programming ⚠ |
| Pressure Switches (AM2) | N1 ELEASMB6639 | n/o ELEASMB6044 |
| No Pressure Switches (AM2) | O1 ELEASMB7103 | n/o ELEASMB6044 |

⚠ Actuator Module Replacement ⚠
****Modules shown here are ONLY compatible with units manufactured AFTER January 2, 2012.****

*Master assemblies contain AM1 or AM2 modules in addition to harnesses and hardware components, which are not shown.
 Reference component pages for illustrations and parts lists with the Master Assembly part number in the table. Lower-case letters designate modules in assemblies with the matching upper-case letter.

| Item | Part No. | Name | Qty |
|---------|-------------|--|-----|
| A1 | ELEASMB7102 | NE+/Q-LOGIC THRU AM1,TB2 TILT,TILT,45°,(CONF. #20) | 1 |
| B1 | ELEASMB6574 | NE+/Q-LOGIC THRU AM1,TB2TILT,TILT,45°,W/PRESSURE SWITCH (CONF. #20) | 1 |
| C1 | ELEASMB6036 | NE+,TB2 TILT,TILT THRU JOYSTICK W/MANUAL RECLINE,W/PRESSURE SWITCH (CONF. #20) | 1 |
| D1 | ELEASMB7100 | NE+,TB2 TILT,TILT THRU JOYSTICK W/MANUAL RECLINE,W/O PRESSURE SWITCH,(CONF. #20) | 1 |
| E1 | ELEASMB6573 | NE+/Q-LOGIC THRU AM1,TILT,W/O PRESSURE SWITCH,TB2 TILT,(CONF. #20) | 1 |
| F1 | ELEASMB6035 | NE+/Q-LOGIC THRU AM1,TB2 TILT,TILT THRU JOYSTICK,W/PRESSURE SWITCH (CONF. #20) | 1 |
| G1 | ELEASMB7101 | NE PLUS,TB2 TILT,TILT/POWER ARTICULATING FOOT PLATFORM,THRU JOYSTICK,W/O PRESSURE SWITCH,(CONF. #23) | 1 |
| H1 | ELEASMB6429 | NE PLUS,TB2 TILT,TILT/POWER ARTICULATING FOOT PLATFORM,THRU JOYSTICK,W/PRESSURE SWITCH (CONF. #23) | 1 |
| I1 | ELEASMB7159 | NE PLUS,TB2 TILT,TILT/ELEVATE,THRU JOYSTICK,(CONF.#24) | 1 |
| J1 | ELE121679 | NE PLUS,TILT,AFP,THRU JOYSTICK,45°,(CONF. #23) | 1 |
| K1 | ELEASMB6640 | NE PLUS,TB2 RECLINE,RECLINE ONLY,(CONF. #08) | 1 |
| L1 | ELEASMB6641 | NE PLUS,TB2 RECLINE,RECLINE/POWER AFP,W/INDEPENDENTLY CONTROLLED POWER AFP,(CONF. #11) | 1 |
| M1 | ELEASMB7160 | NE PLUS,TB2 RECLINE,RECLINE/ELEVATE,(CONF. #14) | 1 |
| N1 | ELEASMB6639 | NE PLUS,TB2 TILT & RECLINE,TILT/RECLINE,W/PRESSURE SWITCH (CONF. #28) | 1 |
| O1 | ELEASMB7103 | NE PLUS,TB2 TILT & RECLINE,TILT/RECLINE,W/O PRESSURE SWITCH,(CONF. #28) | 1 |
| a/b | ELEASMB6578 | AM1 MODULE,W/PROGRAMMING,TB2 TILT,R4000/Q614,(CONF.#20) | 1 |
| c/d/e/f | ELEASMB6043 | AM1,TILT ONLY,(CONFIG.#20) | 1 |
| g/h | ELEASMB6433 | AM2,TILT W/AFP,(CONFIG.#23) | 1 |
| i | ELEASMB7162 | AM2,LIFT & TILT,(CONFIG.#24) | 1 |
| j | ELE121680 | NE+ AM2 MODULE,TILT/AFP,45°,(CONF. #23) | 1 |
| k | ELEASMB6045 | AM1,RECLINE ONLY,(CONFIG.#8) | 1 |
| l | ELEASMB6435 | AM2,RECLINE W/AFP,(CONFIG.#11) | 1 |
| m | ELEASMB7163 | AM2,LIFT & RECLINE,(CONFIG.#14) | 1 |
| n/o | ELEASMB6044 | AM2,TILT & RECLINE,(CONFIG.#28) | 1 |

2.1. Curtis thru AM1 / AM2 Assy's



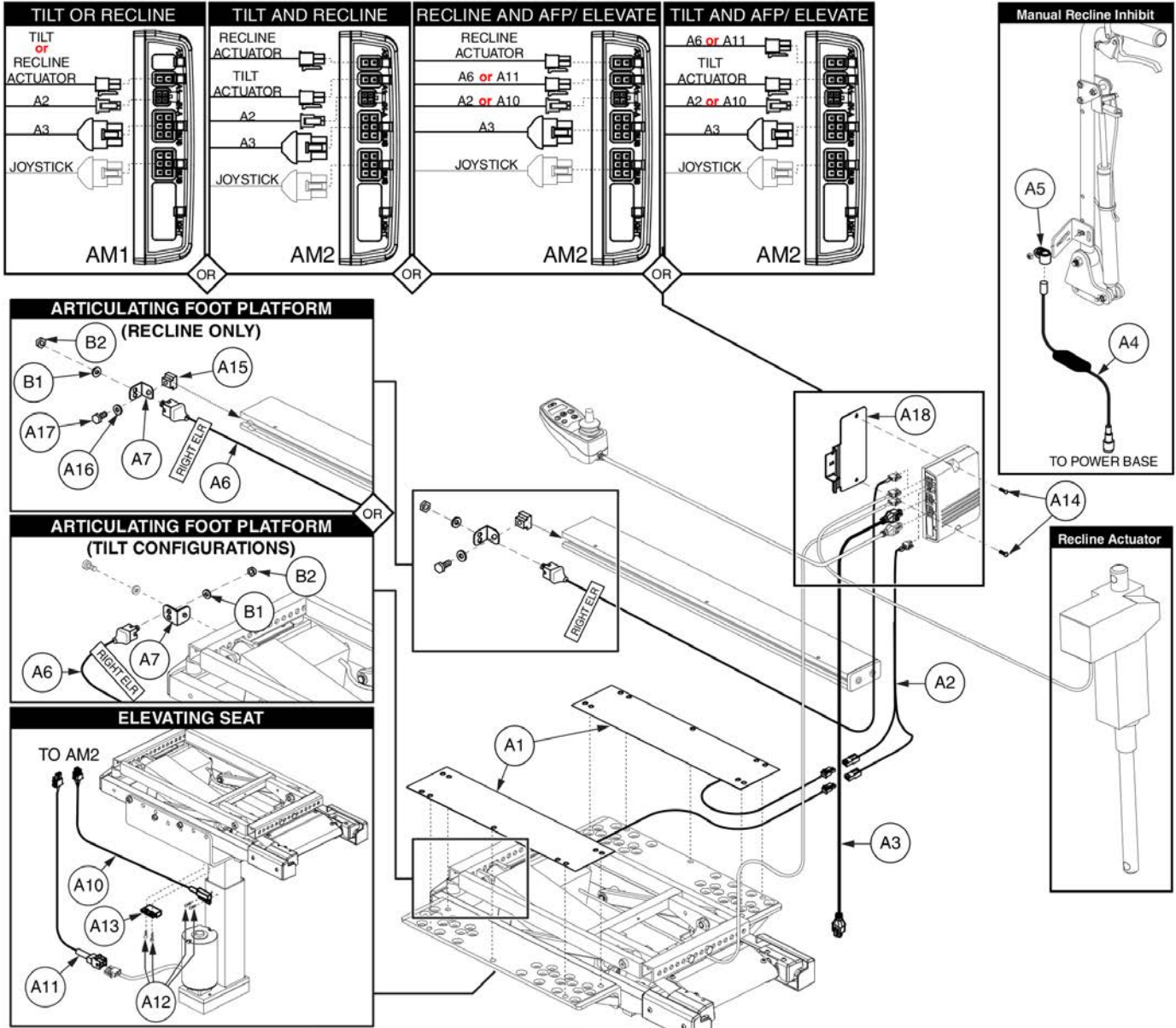
| Tilt (AM1) and... | *Master Assembly | Module w/ Programming ⚠ |
|---|---------------------|--------------------------|
| R4000/ Q614, No Pressure Switches | A1 ELEASMB7110169 | a/b ELEASMB7110038 |
| R4000/ Q614 with Pressure Switches | B1 ELEASMB7110165 | a/b ELEASMB7110038 |
| Manual Recline with Pressure Switches | C1 ELEASMB7110161 | c/d/e/f ELEASMB7110036 |
| Manual Recline, No Pressure Switches | D1 ELEASMB7110166 | c/d/e/f ELEASMB7110036 |
| No Pressure Switches | E1 ELEASMB7110163 | c/d/e/f ELEASMB7110036 |
| Pressure Switches | F1 ELEASMB7110158 | c/d/e/f ELEASMB7110036 |
| Tilt (AM2) and... | *Master Assembly | Module w/ Programming ⚠ |
| Articulating Foot Platform, No Pressure Switches | G1 ELEASMB7110168 | g/h ELEASMB7110037 |
| Articulating Foot Platform with Pressure Switches | H1 ELEASMB7110162 | g/h ELEASMB7110037 |
| Elevate | I1 ELEASMB7110171 | i ELEASMB7110039 |
| Recline and.. | *Master Assembly | Module w/ Programming ⚠ |
| Recline Only (AM1) | J1 ELEASMB7110176 | j ELEASMB7110041 |
| Articulating Foot Platform (AM2) | K1 ELEASMB7110178 | k ELEASMB7110042 |
| Elevate (AM2) | L1 ELEASMB7110179 | l ELEASMB7110043 |
| Tilt, Recline, and... | *Master Assembly | Module w/ Programming ⚠ |
| Pressure Switches (AM2) | M1 ELEASMB7110172 | m/n ELEASMB7110040 |
| No Pressure Switches (AM2) | N1 ELEASMB7110174 | m/n ELEASMB7110040 |

⚠ Actuator Module Replacement ⚠
 Modules shown here are **ONLY compatible with units manufactured **BEFORE** January 2, 2012.**

*Master assemblies contain AM1 or AM2 modules in addition to harnesses and hardware components, which are not shown.
 Reference component pages for illustrations and parts lists with the Master Assembly part number in the table. Lower-case letters designate modules in assemblies with the matching upper-case letter.

| Item | Part No. | Name | Qty |
|---------|----------------|---|-----|
| A1 | ELEASMB7110169 | ELECTRONIC,ASSY,TB2 TILT,TILT,R4000/Q614,(CONF. #20) | 1 |
| B1 | ELEASMB7110165 | NE+/Q-LOGIC THRU AM1 (FW 1.16),TB2 TILT,TILT,R4000/Q614,W/PRESSURE SWITCH (CONF. #20) | 1 |
| C1 | ELEASMB7110161 | NE+ (FW 1.16),TB2 TILT,TILT THRU JOYSTICK W/MANUAL RECLINE,W/PRESSURE SWITCH (CONF. #20) | 1 |
| D1 | ELEASMB7110166 | NE PLUS (FW 1.16),TB2 TILT,TILT THRU JOYSTICK W/MANUAL RECLINE,(CONF. #20) | 1 |
| E1 | ELEASMB7110163 | NE+/Q-LOGIC THRU AM1(FW 1.16),TB2 TILT,TILT,(CONF.#20) | 1 |
| F1 | ELEASMB7110158 | NE+/Q-LOGIC THRU AM1 (FW 1.16),TB2TILT,TILT THRU JOYSTICK,W/PRESSURE SWITCH (CONF. #20) | 1 |
| G1 | ELEASMB7110168 | NE PLUS (FW 1.16),TB2 TILT,TILT/AFP,THRU JOYSTICK,(CONF. #23) | 1 |
| H1 | ELEASMB7110162 | NE PLUS (FW 1.16),TB2 TILT,TILT/ARTICULATING FOOT PLATFORM,THRU JOYSTICK,W/PRESSURE SWITCH (CONF. # 23) | 1 |
| I1 | ELEASMB7110171 | NE PLUS (FW 1.16),TB2 TILT,TILT/ELEVATE,THRU JOYSTICK,(CONF.# 24) | 1 |
| J1 | ELEASMB7110176 | NE PLUS (FW 1.16),TB2 RECLINE,RECLINE ONLY,(CONF. #08) | 1 |
| K1 | ELEASMB7110178 | NE PLUS (FW 1.16),TB2 RECLINE,RECLINE/POWER AFP,W/INDEPENDENTLY CONTROLLED POWER AFP,(CONF. #11) | 1 |
| L1 | ELEASMB7110179 | NE PLUS(FW 1.16),TB2 RECLINE,RECLINE/ELEVATE,(CONF.#14) | 1 |
| M1 | ELEASMB7110172 | NE PLUS (FW 1.16),TB2 TILT & RECLINE,TILT/RECLINE,W/PRESSURE SWITCH (CONF. #28) | 1 |
| N1 | ELEASMB7110174 | NE PLUS (FW 1.16),TB2 TILT & RECLINE,TILT/RECLINE,(CONF. #28) | 1 |
| a/b | ELEASMB7110038 | AM1 MODULE (FW 1.16),W/PROGRAMMING,TB2 TILT,R4000/Q614,(CONF. #20) | 1 |
| c/d/e/f | ELEASMB7110036 | AM1 MODULE(FW 1.16),W/PROGRAMMING,TB2 TILT,(CONF. #20) | 1 |
| g/h | ELEASMB7110037 | NE+ AM2 MODULE (FW 1.16),W/PROGRAMMING,TB2 TILT/POWER FOOT PLATFORM,(CONF. #23) | 1 |
| i | ELEASMB7110039 | NE+ AM2 MODULE(FW 1.16),W/PROGRAMMING,TB2,TILT/ELEVATE,(CONF. #24) | 1 |
| j | ELEASMB7110041 | AM1 MODULE (FW 1.16),W/PROGRAMMING,TB2 RECLINE,(CONF. #8) | 1 |
| k | ELEASMB7110042 | NE+ AM2 MODULE (FW 1.16),W/PROGRAMMING,TB2 RECLINE/POWER FOOT PLATFORM,(CONF. #11) | 1 |
| l | ELEASMB7110043 | NE+ AM2 MODULE (FW 1.16),W/ PROGRAMMING,TB2 RECLINE/ELEVATE,(CONF. #14) | 1 |
| m/n | ELEASMB7110040 | NE+ AM2 MODULE (FW 1.16),W/PROGRAMMING,TB2 TILT/RECLINE,(CONF. #28) | 1 |

2.1. Curtis thru AM1 / AM2 Assy's

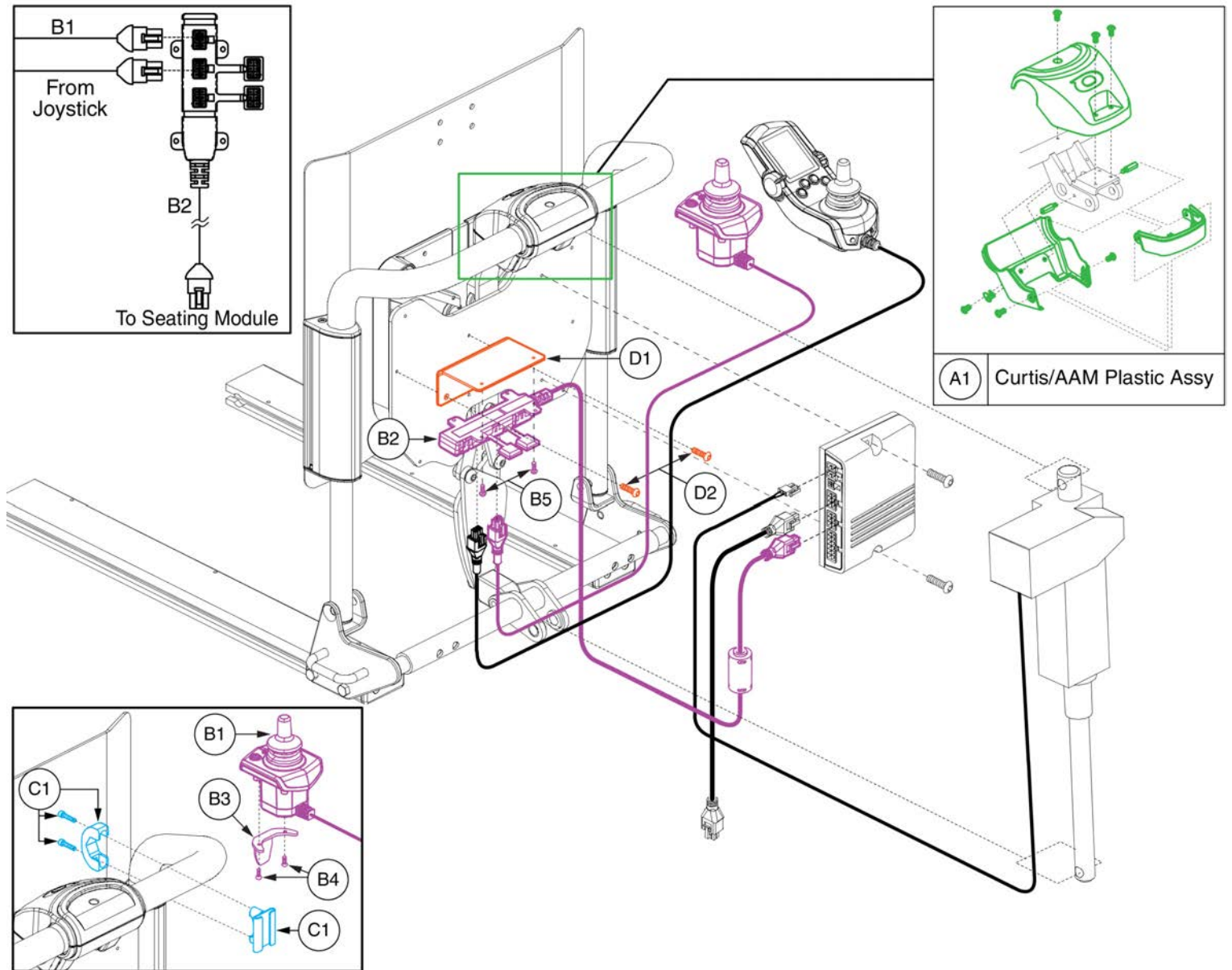


| | Master Assembly | | Parts are not pickable from table, please use parts list to select | | | | | | | | | | | | | | | | | | | |
|------------------------------------|-----------------|--------------|--|----|----|----|----|----|----|----|----|-----|-----|-----|-----|-----|-----|-----|-----|-----|----|----|
| | Before 1/2/12 | After 1/2/12 | A1 | A2 | A3 | A4 | A5 | A6 | A7 | A8 | A9 | A10 | A11 | A12 | A13 | A14 | A15 | A16 | A17 | A18 | B1 | B2 |
| Tilt (AM1) and... | | | | | | | | | | | | | | | | | | | | | | |
| R4000/ Q614, No Pressure Switches | ELEASMB7110169 | ELEASMB7102 | | | 1 | | | | | | | | | | | 2 | | | | | 1 | |
| R4000/ Q614 w/ Pressure Switches | ELEASMB7110165 | ELEASMB6574 | 2 | 1 | 1 | | | | | | | | | | | 2 | | | | | 1 | |
| Man. Recline w/ Pressure Switches | ELEASMB7110161 | ELEASMB6036 | 2 | 1 | 1 | 1 | 1 | | | | | | | | | 2 | | | | | 1 | |
| Man. Recline, No Pressure Switches | ELEASMB7110166 | ELEASMB7100 | | | 1 | 1 | 1 | | | | | | | | | 2 | | | | | 1 | |
| No Pressure Switches | ELEASMB7110163 | ELEASMB6573 | | | 1 | | | | | | | | | | | 2 | | | | | 1 | |
| Pressure Switches | ELEASMB7110158 | ELEASMB6035 | 2 | 1 | 1 | | | | | | | | | | | 2 | | | | | 1 | |
| Tilt (AM2) and... | | | | | | | | | | | | | | | | | | | | | | |
| AFP, No Pressure Switches | ELEASMB7110168 | ELEASMB7101 | | | 1 | | | 1 | 1 | 5 | 1 | | | | | 2 | 1 | | | | 1 | 1 |
| AFP with Pressure Switches | ELEASMB7110162 | ELEASMB6429 | 2 | 1 | 1 | | | 1 | 1 | 5 | 1 | | | | | 2 | 1 | | | | 1 | 1 |
| Elevate | ELEASMB7110171 | ELEASMB7159 | | | 1 | | | | | 5 | 1 | 1 | 1 | 4 | 1 | 2 | | | | | 1 | |
| R44 AFP, No Pressure Switches | N/A | ELE121679 | | | 1 | | | 1 | 1 | 5 | 1 | | | | | 2 | 1 | | | | 1 | 1 |
| Recline and... | | | | | | | | | | | | | | | | | | | | | | |
| Recline Only (AM1) | ELEASMB7110176 | ELEASMB6640 | | | 1 | | | | | 5 | 1 | | | | | 2 | | | | | 1 | |
| Articulating Foot Platform (AM2) | ELEASMB7110178 | ELEASMB6641 | | | 1 | | | 1 | 1 | 5 | 1 | | | | | 2 | 1 | 1 | 1 | 1 | 1 | 1 |
| Elevate (AM2) | ELEASMB7110179 | ELEASMB7160 | | | 1 | | | | | 5 | 1 | 1 | 1 | 4 | 1 | 2 | | | | | 1 | |
| Tilt, Recline, and... | | | | | | | | | | | | | | | | | | | | | | |
| Pressure Switches (AM2) | ELEASMB7110172 | ELEASMB6639 | 2 | 1 | 1 | | | | | 5 | 1 | | | | | 2 | | | | | 1 | |
| No Pressure Switches (AM2) | ELEASMB7110174 | ELEASMB7103 | | | 1 | | | | | 5 | 1 | | | | | 2 | | | | | 1 | |

The numbers within the table represent the quantity of each harness for each configuration.

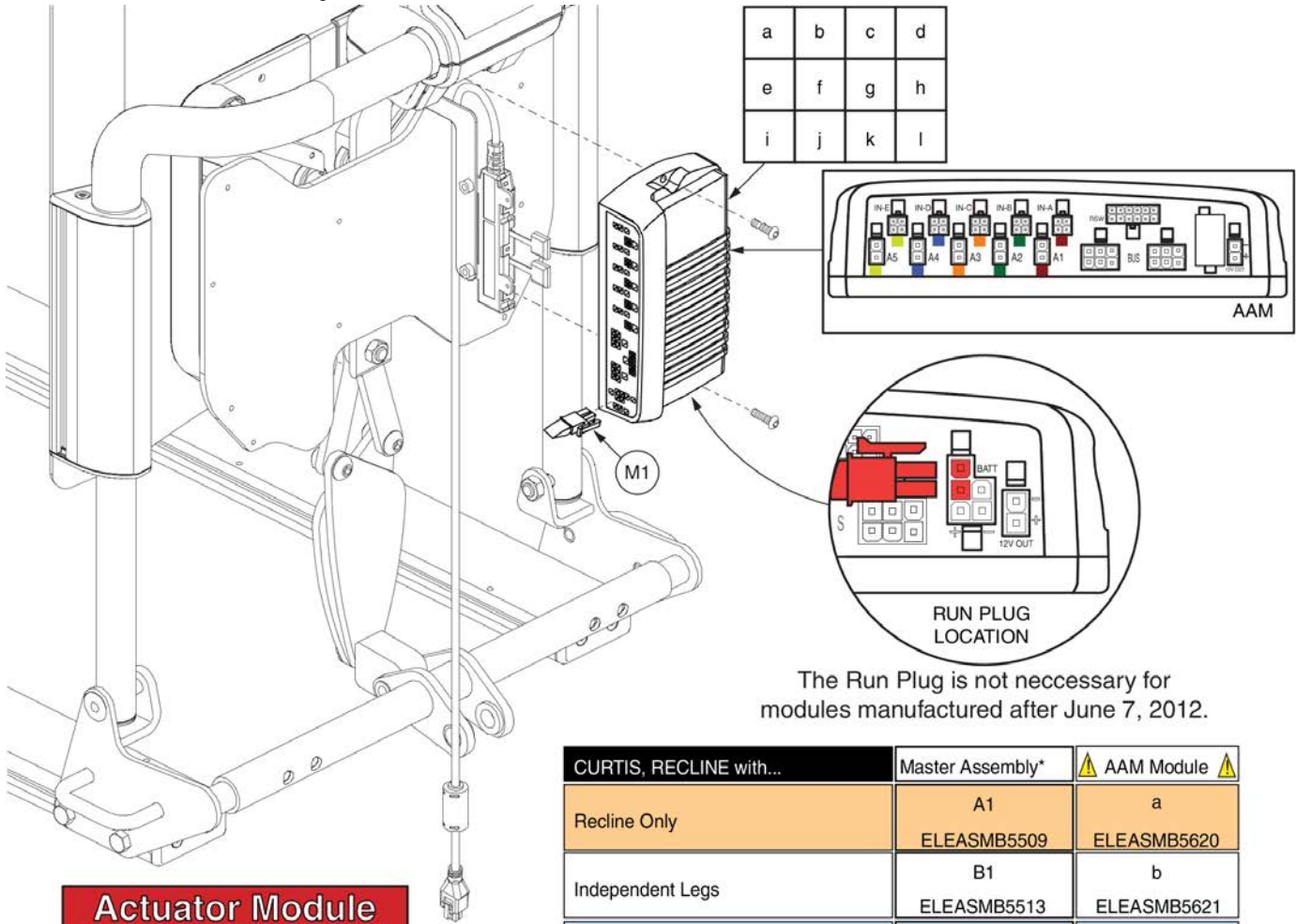
| Item | Part No. | Name | Qty |
|------|-------------|---|-----|
| A1 | DWR1265H001 | ELECTRONIC,SWITCH,PRESSURE,ANTI-PINCH,TB2 TILT | 2 |
| A2 | DWR1265H004 | HARNESS,"Y",ANTI-PINCH SWITCH,TB2 TILT | 1 |
| A3 | DWR1111H047 | HARNESS,BUS CABLE,1.0 METER,FEMALE/FEMALE,H-1111-047,(CURTIS:17881302) | 1 |
| A4 | ELE142519 | HARNESS,COMBINATION,INHIBIT,MANUAL TILT,ROHS | 1 |
| A5 | CLPCBLC1025 | CLAMP,CABLE,STEEL,0.50" DIA,RUBBER COATED | 1 |
| A6 | DWR1265H007 | ELECTRONIC,HARNESS,INDEPENDENT ELR,CURTIS,TRU-BALANCE TILT 2,RIGHT,H-1265-007 | 1 |
| A7 | DWR1303B026 | ELECTRICAL CONNECTION BRACKET,ARTICULATING LEGREST | 1 |
| *A8 | PLSTIE1004 | TIE WRAP,BLACK,8" | 5 |
| *A9 | | ELECTRONIC,WRAP,3/8"D,1 FT, SPIRAL | 1 |
| A10 | DWR1265H016 | ELECTRONIC,HARNESS,POWER SEAT INHIBIT,CURTIS,TRUBALANCE TILT 2,H-1265-016 | 1 |
| A11 | DWR1265H017 | ELECTRONIC,HARNESS,POWER SEAT,TRU-BALANCE TILT 2,H-1265-017 | 1 |
| A12 | SCRPPH1031 | SCREW, PPH,BLACK ZINC,4-40 X 3/8" | 1 |
| A13 | SWTMAGN1001 | ELECTRONIC,SWITCH,HERMETIC,PRX +8100 | 1 |
| A14 | SCRPPH1080 | SCREW,PPH,BLACK ZINC,8-32 X 0.75" | 2 |
| A15 | NUT8120005 | NUT,T-SLOT,BLACK,M8-1.25 | 1 |
| A16 | WASSTND1002 | WASHER,FLAT,BLACK ZINC,0.3125" ID X 0.6875" OD X 0.0625" TH | 1 |
| A17 | SCRHHCS1382 | SCREW,HHCS,BLACK ZINC CHROMATE,M8-1.25 X 12MM,10.9 | 1 |
| A18 | MEC138637 | BRACKET,STRAIN RELIEF,AM1 | 1 |
| B1 | WASSTND1155 | WASHER,FLAT,STAINLESS STEEL,.375"ID X .615"OD X .025"TH | 1 |
| B2 | NUTJAM1032 | NUT,JAM,THIN,STAINLESS STEEL,3/8-32 | 1 |

2.1. Curtis thru AM1 / AM2 Assy's



| Item | Part No. | Name | Qty |
|----------|--------------|---|-----|
| A1 | PLSASMB2069 | PLASTIC,ASSY,CURTIS/AAM,TRU-BALANCE 2 POWER RECLINE | 1 |
| *B1 - C1 | ELEASMB6642 | ASSY,NE+,ATTENDANT CONTROL MODULE,W/BRACKET & HARDWARE | 1 |
| B1 | CTL137822 | CONTROLLER,ATTENDANT CONTROL MODULE 2.0,Q-LOGIC 2 | 1 |
| B2 | DWR1111H053 | HARNESS,MULTIPLIER BOX,0.3 METER,H-1111-053,(CURTIS: 17869700) | 1 |
| B3 | DWR1010D298 | MOUNTING BRACKET,ATTENDANT BRACKET,CURTIS STAND ALONE JOYSTICK,D-1010-298 | 1 |
| B4 | SCRPPH1165 | SCREW,PPH,BLACK ZINC,M4-.7 X 8MM,P-TYPE | 2 |
| B5 | SCRPPH1031 | SCREW, PPH,BLACK ZINC,4-40 X 3/8" | 2 |
| C1 | FRMASMB10455 | MOUNTING BRACKET,ASSY,ATTENDANT CONTROL,C-1010-285 | 1 |
| D1 | BRK8110019 | MULTIPLIER L-BRACKET,TRU-BALANCE 2 POWER RECLINE | 1 |
| D2 | SCRPPH1379 | SCREW,PPH,BLACK ZINC,8-32 X 0.375" | 2 |

2.2. Curtis thru AAM Recline Assy's



The Run Plug is not necessary for modules manufactured after June 7, 2012.

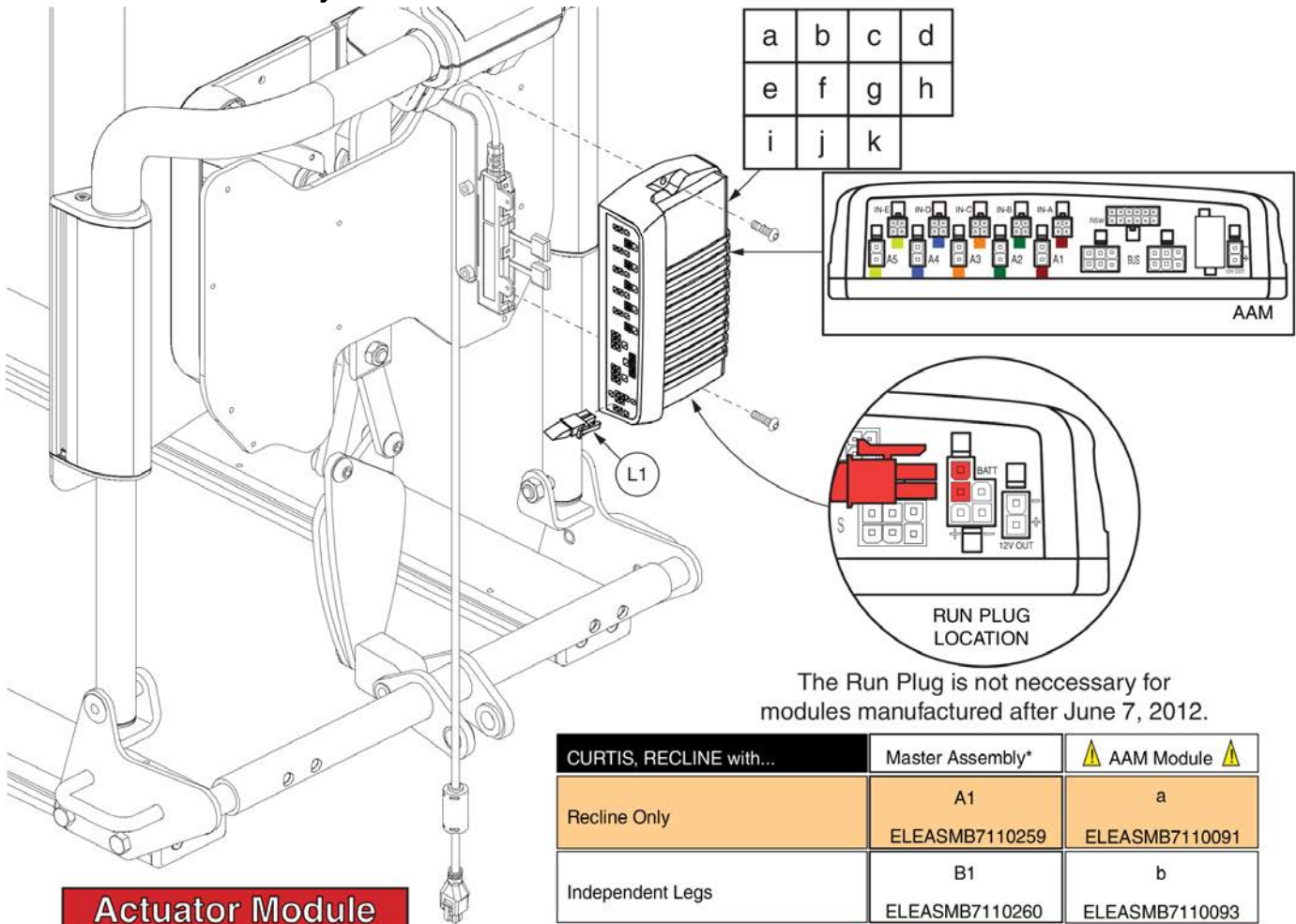
Actuator Module Replacement
 Modules shown here are **ONLY** compatible with units manufactured **AFTER** January 2, 2012.

*Master assemblies contain harnesses and hardware components not shown. Reference component pages for illustrations and parts lists with the Master Assembly part number in the table.
 Lower case letters designate AAM modules in assemblies with the matching upper case letter.

| CURTIS, RECLINE with... | Master Assembly* | AAM Module |
|-------------------------------------|-------------------|------------------|
| Recline Only | A1 ELEASMB5509 | a ELEASMB5620 |
| Independent Legs | B1 ELEASMB5513 | b ELEASMB5621 |
| Combined Legs | C1 ELEASMB5514 | c ELEASMB5622 |
| Articulating Foot Platform | D1 ELEASMB5608 | d ELEASMB5623 |
| Recline Only, R4000 | E1 ELEASMB5831 | e ELEASMB5828 |
| Independent Legs, R4000 | F1 ELEASMB5832 | f ELEASMB5829 |
| Combined Legs, R4000 | G1 ELEASMB5833 | g ELEASMB5830 |
| Articulating Foot Platform, R44 | H1 ELE121676 | h ELE121677 |
| Elevate | I1 ELEASMB5510 | i ELEASMB5624 |
| Elevate, Independent Legs | J1 ELEASMB5511 | j ELEASMB5625 |
| Elevate, Combined Legs | K1 ELEASMB5512 | k ELEASMB5626 |
| Elevate, Articulating Foot Platform | L1 ELEASMB5609 | l ELEASMB5627 |
| | Master Assembly* | AAM Module |

| Item | Part No. | Name | Qty |
|------|-------------|--|-----|
| A1 | ELEASMB5509 | CURTIS/AAM,RECLINE ONLY,(CONFIG. #08) | 1 |
| B1 | ELEASMB5513 | CURTIS/AAM,RECLINE/IND. LEGS,SYNCH. RECLINE W/ IND.CONTROLLED IND. LEGS,(CONFIG. #09) | 1 |
| C1 | ELEASMB5514 | CURTIS/AAM,RECLINE/COMBINED LEGS,SYNCH. RECLINE W/ IND.CONTROLLED COMBINED LEGS,(CONFIG. #10) | 1 |
| D1 | ELEASMB5608 | CURTIS/AAM,RECLINE/POWER AFP,SYNCH. RECLINE W/ IND.CONTROLLED POWER AFP,(CONFIG. #11) | 1 |
| E1 | ELEASMB5831 | CURTIS/AAM,RECLINE ONLY,R4000,(CONFIG. #8) | 1 |
| F1 | ELEASMB5832 | CURTIS/AAM,RECLINE/IND. LEGS,SYNCH. RECLINE W/ IND.CONTROLLED IND. LEGS,R4000,(CONFIG. #9) | 1 |
| G1 | ELEASMB5833 | CURTIS/AAM,RECLINE/COMBINED LEGS,SYNCH. RECLINE W/ IND.CONTROLLED COMBINED LEGS,R4000,(CONFIG. #10) | 1 |
| H1 | ELE121676 | CURTIS/AAM,RECLINE/AFP,SYNCH. RECLINE W/IND. CONTROLLED AFP,45°,(CONFIG. #11) | 1 |
| I1 | ELEASMB5510 | CURTIS/AAM,RECLINE/ELEVATE,(CONFIG #14) | 1 |
| J1 | ELEASMB5511 | CURTIS/AAM,RECLINE/ELEVATE/IND. LEGS,SYNCH. RECLINE W/ IND. CONTROLLED IND. LEGS,(CONFIG. #15) | 1 |
| K1 | ELEASMB5512 | CURTIS/AAM,RECLINE/ELEVATE/COMBINED LEGS,SYNCH. RECLINE W/ IND. CONTROLLED COMBINED LEGS,(CONFIG. #16) | 1 |
| L1 | ELEASMB5609 | CURTIS/AAM,RECLINE/ELEVATE/POWER AFP,SYNCH.RECLINE W/ IND. CONTROLLED POWER AFP,(CONFIG. #17) | 1 |
| a | ELEASMB5620 | AAM,RECLINE ONLY,(CONFIG.#08) | 1 |
| b | ELEASMB5621 | AAM,RECLINE W/INDEPENDENT LEGS,(CONFIG.#09) | 1 |
| c | ELEASMB5622 | AAM,RECLINE W/COMBINED LEGS,(CONFIG.#10) | 1 |
| d | ELEASMB5623 | AAM,RECLINE W/AFP,(CONFIG.#11) | 1 |
| e | ELEASMB5828 | AAM,RECLINE,R4000,(CONFIG. #8) | 1 |
| f | ELEASMB5829 | AAM,RECLINE/IND. LEGS,R4000,(CONFIG. #9) | 1 |
| g | ELEASMB5830 | AAM,RECLINE/COMBINED LEGS,R4000,(CONFIG. #10) | 1 |
| h | ELE121677 | AAM,RECLINE/AFP,45°,(CONFIG. #11) | 1 |
| i | ELEASMB5624 | AAM, RECLINE/ELEVATE (CONFIG. #14) | 1 |
| j | ELEASMB5625 | AAM, RECLINE/ELEVATE, INDEPENDENT LEGS (CONFIG. #15) | 1 |
| k | ELEASMB5626 | AAM, RECLINE/ELEVATE,COMBINED LEGS (CONFIG. #16) | 1 |
| l | ELEASMB5627 | AAM,LIFT & RECLINE W/AFP,(CONFIG.#17) | 1 |
| M1 | DWR1361H030 | ELECTRONIC,HARNESS,RUN PLUG,MALE,MERCURY SWITCH,SWITCH-IT CONTROLLER,H-1361-030 | 1 |

2.2. Curtis thru AAM Recline Assy's



The Run Plug is not necessary for modules manufactured after June 7, 2012.

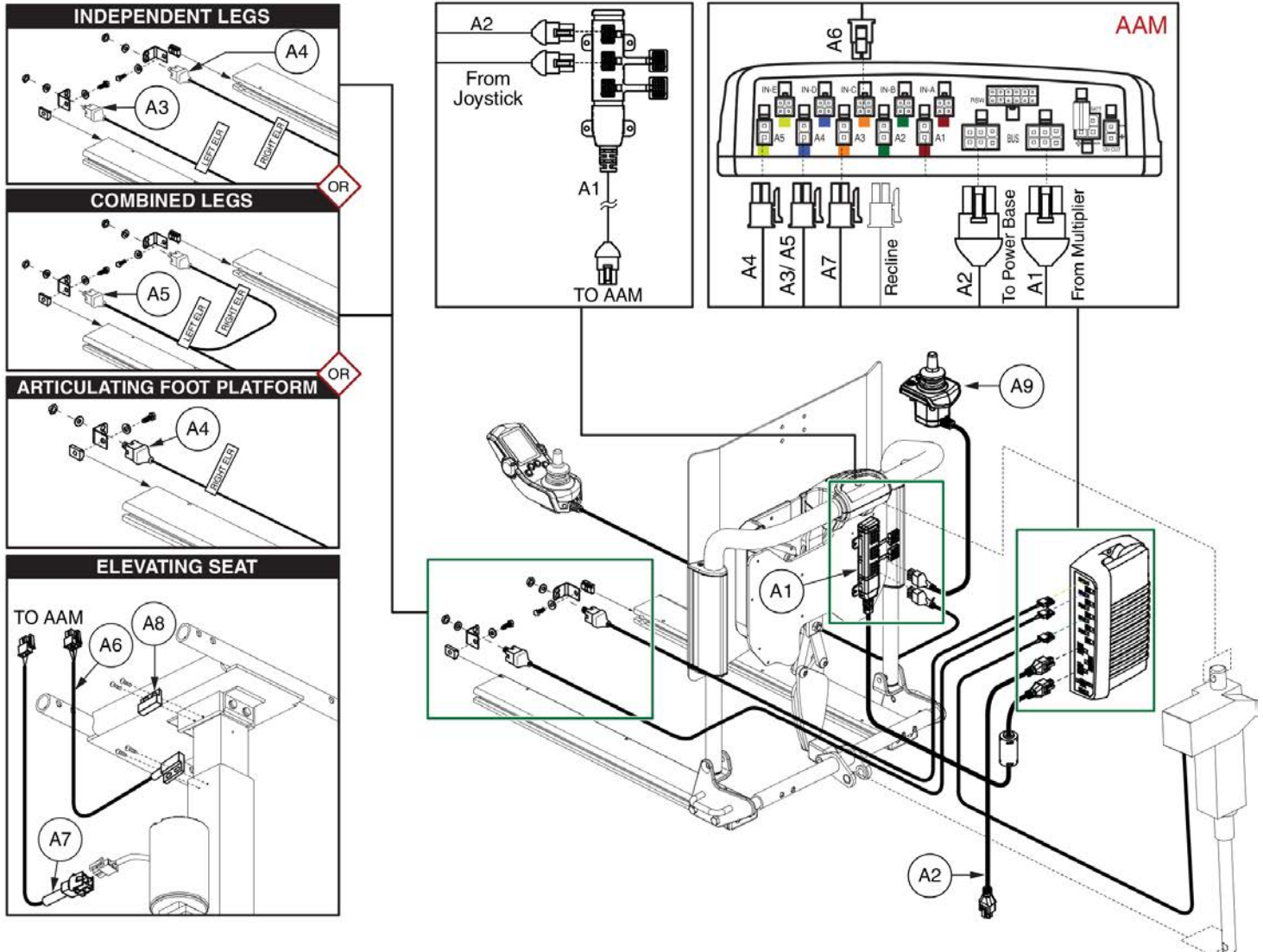
Actuator Module Replacement
 Modules shown here are **ONLY** compatible with units manufactured **AFTER** January 2, 2012.

*Master assemblies contain harnesses and hardware components not shown. Reference component pages for illustrations and parts lists with the Master Assembly part number in the table.
 Lower case letters designate AAM modules in assemblies with the matching upper case letter.

| CURTIS, RECLINE with... | Master Assembly* | AAM Module |
|-------------------------------------|----------------------|---------------------|
| Recline Only | A1 ELEASMB7110259 | a ELEASMB7110091 |
| Independent Legs | B1 ELEASMB7110260 | b ELEASMB7110093 |
| Combined Legs | C1 ELEASMB7110261 | c ELEASMB7110095 |
| Articulating Foot Platform | D1 ELEASMB7110262 | d ELEASMB7110097 |
| Recline Only, R4000 | E1 ELEASMB7110263 | e ELEASMB7110099 |
| Independent Legs, R4000 | F1 ELEASMB7110264 | f ELEASMB7110101 |
| Combined Legs, R4000 | G1 ELEASMB7110265 | g ELEASMB7110103 |
| Elevate | H1 ELEASMB7110274 | h ELEASMB7110105 |
| Elevate, Independent Legs | I1 ELEASMB7110275 | i ELEASMB7110107 |
| Elevate, Combined Legs | J1 ELEASMB7110276 | j ELEASMB7110109 |
| Elevate, Articulating Foot Platform | K1 ELEASMB7110277 | k ELEASMB7110111 |
| | Master Assembly* | AAM Module |

| Item | Part No. | Name | Qty |
|------|----------------|--|-----|
| A1 | ELEASMB7110259 | CURTIS/AAM(FW 1.45),RECLINE ONLY,(CONFIG. #08) | 1 |
| B1 | ELEASMB7110260 | CURTIS/AAM(FW 1.45),RECLINE/IND. LEGS,SYNCH. RECLINE W/ IND.CONTROLLED IND. LEGS,(CONFIG. #09) | 1 |
| C1 | ELEASMB7110261 | CURTIS/AAM(FW 1.45),RECLINE/COMBINED LEGS,SYNCH. RECLINE W/ IND. CONTROLLED COMBINED LEGS,(CONFIG. #10) | 1 |
| D1 | ELEASMB7110262 | CURTIS/AAM(FW 1.45),RECLINE/POWER AFP,SYNCH. RECLINE W/ IND. CONTROLLED POWER AFP,(CONFIG. #11) | 1 |
| E1 | ELEASMB7110263 | CURTIS/AAM(FW 1.45),RECLINE ONLY,R4000,(CONFIG. #8) | 1 |
| F1 | ELEASMB7110264 | CURTIS/AAM(FW 1.45),RECLINE/IND. LEGS,SYNCH. RECLINE W/ IND. CONTROLLED IND. LEGS,R4000,(CONFIG. #9) | 1 |
| G1 | ELEASMB7110265 | CURTIS/AAM(FW 1.45),RECLINE/COMBINED LEGS,SYNCH. RECLINE W/IND. CONTROLLED COMBINED LEGS,R4000,(CONFIG. #10) | 1 |
| H1 | ELEASMB7110274 | CURTIS/AAM(FW 1.45),RECLINE/ELEVATE,(CONFIG #14) | 1 |
| I1 | ELEASMB7110275 | CURTIS/AAM(FW 1.45),RECLINE/ELEVATE/IND. LEGS,SYNCH. RECLINE W/ IND. CONTROLLED IND. LEGS,(CONFIG. #15) | 1 |
| J1 | ELEASMB7110276 | CURTIS/AAM(FW 1.45),RECLINE/ELEVATE/COMBINED LEGS, SYNCH.RECLINE W/IND. CONTROLLED COMBINED LEGS,(CONFIG. #16) | 1 |
| K1 | ELEASMB7110277 | CURTIS/AAM(FW 1.45),RECLINE/ELEVATE/AFP,SYNCH.RECLINE W/IND. CONTROLLED AFP,(CONFIG. #17) | 1 |
| a | ELEASMB7110091 | AAM(FW 1.45),RECLINE,(CONFIG. #08) | 1 |
| b | ELEASMB7110093 | AAM(FW 1.45),RECLINE/IND. LEGS,(CONFIG. #09) | 1 |
| c | ELEASMB7110095 | AAM(FW 1.45),RECLINE/COMBINED LEGS,(CONFIG. #10) | 1 |
| d | ELEASMB7110097 | AAM(FW 1.45),RECLINE/POWER AFP,(CONFIG. #11) | 1 |
| e | ELEASMB7110099 | AAM(FW 1.45),RECLINE,R4000,(CONFIG. #8) | 1 |
| f | ELEASMB7110101 | AAM(FW 1.45),RECLINE/IND. LEGS,R4000,(CONFIG. #9) | 1 |
| g | ELEASMB7110103 | AAM(FW 1.45),RECLINE/COMBINED LEGS,R4000,(CONFIG. #10) | 1 |
| h | ELEASMB7110105 | AAM(FW 1.45),RECLINE/ELEVATE,(CONFIG. #14) | 1 |
| i | ELEASMB7110107 | AAM(FW 1.45),RECLINE/ELEVATE/IND. LEGS,(CONFIG. #15) | 1 |
| j | ELEASMB7110109 | AAM(FW 1.45),RECLINE/ELEVATE/COMBINED LEGS,(CONFIG. #16) | 1 |
| k | ELEASMB7110111 | AAM(FW 1.45),RECLINE/ELEVATE/POWER AFP,(CONFIG. #17) | 1 |
| L1 | DWR1361H030 | ELECTRONIC,HARNESS,RUN PLUG,MALE,MERCURY SWITCH,SWITCH-IT CONTROLLER,H-1361-030 | 1 |

2.2. Curtis thru AAM Recline Assy's

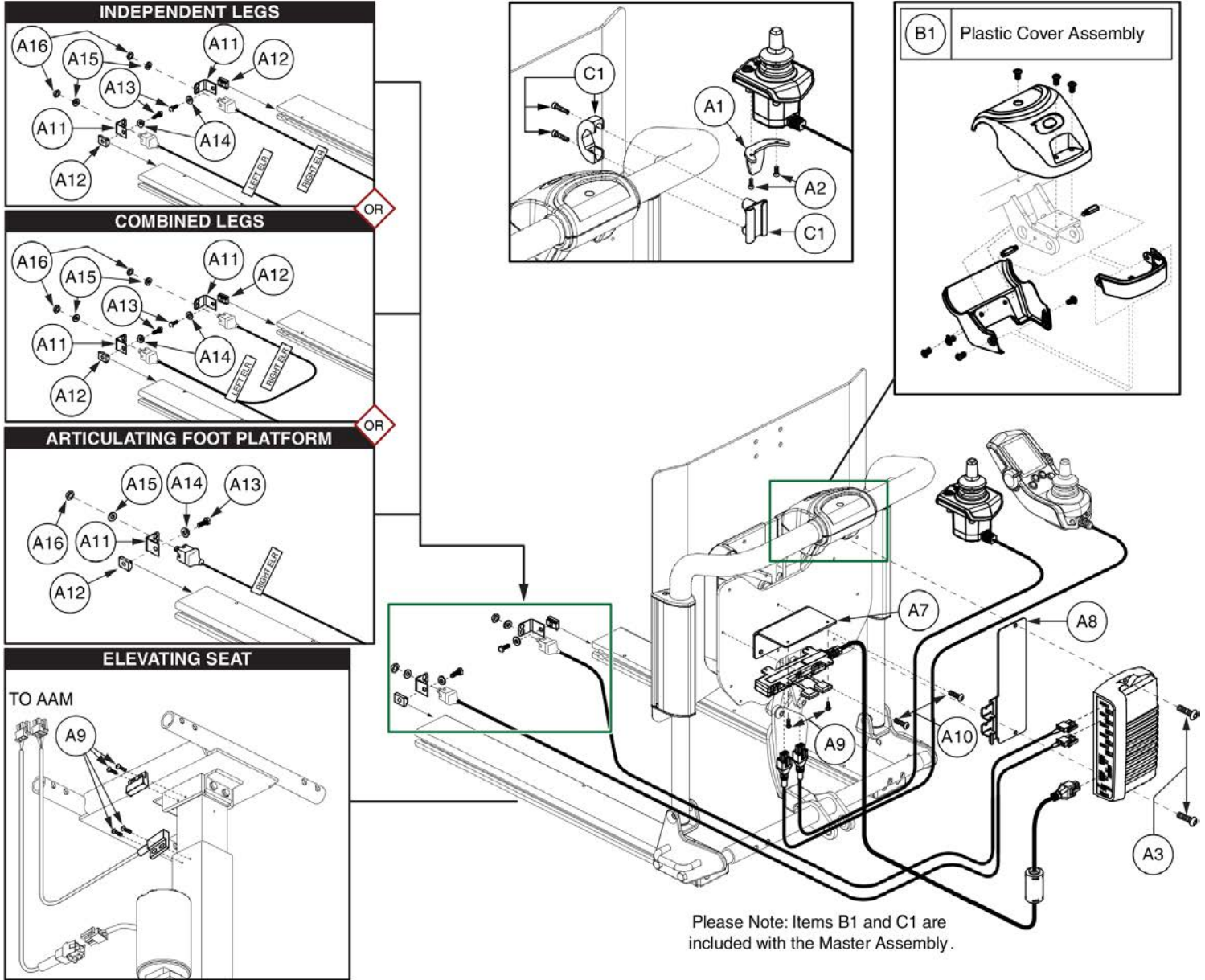


| CURTIS, RECLINE with... | Master Assembly | | A1 | A2 | A3 | A4 | A5 | A6 | A7 | A8 | A9 |
|-------------------------------------|-----------------|--------------|----|----|----|----|----|----|----|----|----|
| | Before 1/2/12 | After 1/2/12 | | | | | | | | | |
| Recline Only | ELEASMB7110259 | ELEASMB5509 | 1 | 1 | | | | | | | 1 |
| Independent Legs | ELEASMB7110260 | ELEASMB5513 | 1 | 1 | 1 | 1 | | | | | 1 |
| Combined Legs | ELEASMB7110261 | ELEASMB5514 | 1 | 1 | | | 1 | | | | 1 |
| Articulating Foot Platform | ELEASMB7110262 | ELEASMB5608 | 1 | 1 | | 1 | | | | | 1 |
| Recline Only, R4000 | ELEASMB7110263 | ELEASMB5831 | 1 | 1 | | | | | | | 1 |
| Independent Legs, R4000 | ELEASMB7110264 | ELEASMB5832 | 1 | 1 | 1 | 1 | | | | | 1 |
| Combined Legs, R4000 | ELEASMB7110265 | ELEASMB5833 | 1 | 1 | | | 1 | | | | 1 |
| Articulating Foot Platform, R44 | N/A | ELE121676 | 1 | 1 | | 1 | | | | | 1 |
| Elevate | ELEASMB7110274 | ELEASMB5510 | 1 | 1 | | | | 1 | 1 | 1 | 1 |
| Elevate, Independent Legs | ELEASMB7110275 | ELEASMB5511 | 1 | 1 | 1 | 1 | | 1 | 1 | 1 | 1 |
| Elevate, Combined Legs | ELEASMB7110276 | ELEASMB5512 | 1 | 1 | | | 1 | 1 | 1 | 1 | 1 |
| Elevate, Articulating Foot Platform | ELEASMB7110277 | ELEASMB5609 | 1 | 1 | | 1 | | 1 | 1 | 1 | 1 |
| | | | A1 | A2 | A3 | A4 | A5 | A6 | A7 | A8 | A9 |

The numbers within the table represent the quantity of each harness for each configuration.

| Item | Part No. | Name | Qty |
|------|-------------|---|-----|
| A1 | DWR1111H053 | HARNESS,MULTIPLIER BOX,0.3 METER,H-1111-053,(CURTIS: 17869700) | 1 |
| A2 | DWR1111H047 | HARNESS,BUS CABLE,1.0 METER,FEMALE/FEMALE,H-1111-047,(CURTIS:17881302) | 1 |
| A3 | DWR1265H006 | ELECTRONIC,HARNESS,INDEPENDENT ELR,CURTIS,TRU-BALANCE TILT 2,LEFT,H-1265-006 | 1 |
| A4 | DWR1265H007 | ELECTRONIC,HARNESS,INDEPENDENT ELR,CURTIS,TRU-BALANCE TILT 2,RIGHT,H-1265-007 | 1 |
| A5 | DWR1265H005 | ELECTRONIC,HARNESS,COMBINED ELR,CURTIS,TRU-BALANCE TILT 2,H-1265-005 | 1 |
| A6 | DWR1265H016 | ELECTRONIC,HARNESS,POWER SEAT INHIBIT,CURTIS,TRUBALANCE TILT 2,H-1265-016 | 1 |
| A7 | DWR1265H017 | ELECTRONIC,HARNESS,POWER SEAT,TRU-BALANCE TILT 2,H-1265-017 | 1 |
| A8 | SWTMAGN1001 | ELECTRONIC,SWITCH,HERMETIC,PRX +8100 | 1 |
| A9 | CTL137822 | CONTROLLER,ATTENDANT CONTROL MODULE 2.0,Q-LOGIC 2 | 1 |

2.2. Curtis thru AAM Recline Assy's

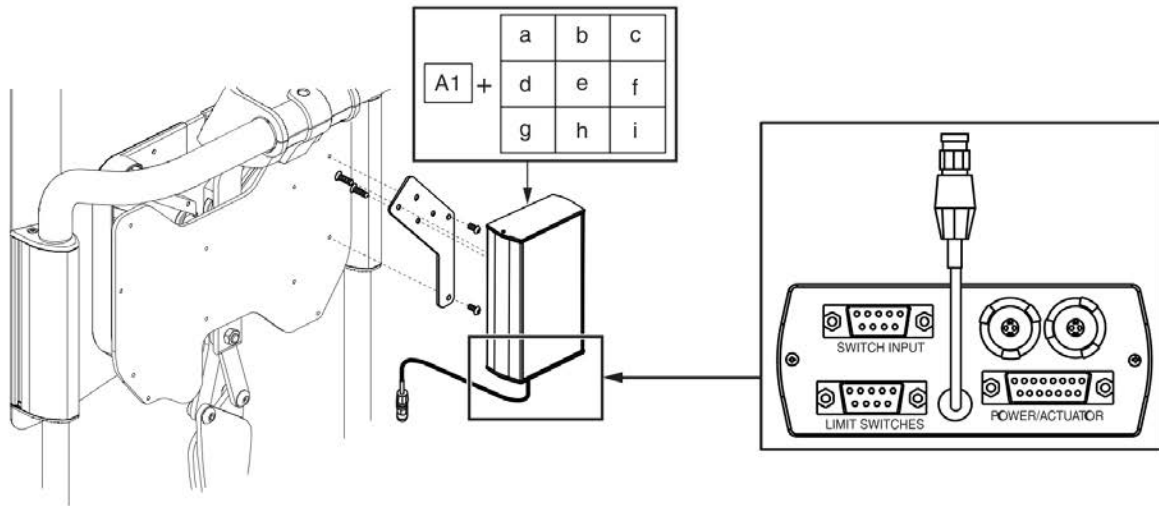


| CURTIS, RECLINE w/ | Master Assembly | | A1 | A2 | A3 | A4 | A5 | A6 | A7 | A8 | A9 | A10 | A11 | A12 | A13 | A14 | A15 | A16 | B1 | C1 |
|---------------------|-----------------|--------------|----|----|----|----|----|----|----|----|----|-----|-----|-----|-----|-----|-----|-----|----|----|
| | Before 1/2/12 | After 1/2/12 | | | | | | | | | | | | | | | | | | |
| Recline Only | ELEASMB7110259 | ELEASMB5509 | 1 | 2 | 2 | 2 | 10 | 4 | 1 | 1 | 2 | 2 | | | | | | | 1 | 1 |
| Independent Legs | ELEASMB7110260 | ELEASMB5513 | 1 | 2 | 2 | 2 | 10 | 4 | 1 | 1 | 2 | 2 | 2 | 2 | 2 | 2 | 2 | 2 | 1 | 1 |
| Combined Legs | ELEASMB7110261 | ELEASMB5514 | 1 | 2 | 2 | 2 | 10 | 4 | 1 | 1 | 2 | 2 | 2 | 2 | 2 | 2 | 2 | 2 | 1 | 1 |
| AFP | ELEASMB7110262 | ELEASMB5608 | 1 | 2 | 2 | 2 | 10 | 4 | 1 | 1 | 2 | 2 | 1 | 1 | 1 | 1 | 1 | 1 | 1 | 1 |
| Recline Only, R4000 | ELEASMB7110263 | ELEASMB5831 | 1 | 2 | 2 | 2 | 10 | 4 | 1 | 1 | 2 | 2 | | | | | | | 1 | 1 |
| Ind. Legs, R4000 | ELEASMB7110264 | ELEASMB5832 | 1 | 2 | 2 | 2 | 10 | 4 | 1 | 1 | 2 | 2 | 2 | 2 | 2 | 2 | 2 | 2 | 1 | 1 |
| Comb. Legs, R4000 | ELEASMB7110265 | ELEASMB5833 | 1 | 2 | 2 | 2 | 10 | 4 | 1 | 1 | 2 | 2 | 2 | 2 | 2 | 2 | 2 | 2 | 1 | 1 |
| AFP, R44 | N/A | ELE121676 | 1 | 2 | 2 | 2 | 10 | 4 | 1 | 1 | 2 | 2 | 1 | 1 | 1 | 1 | 1 | 1 | 1 | 1 |
| Elevate | ELEASMB7110274 | ELEASMB5510 | 1 | 2 | 2 | 2 | 10 | 4 | 1 | 1 | 6 | 2 | | | | | | | 1 | 1 |
| Elevate, Ind. Legs | ELEASMB7110275 | ELEASMB5511 | 1 | 2 | 2 | 2 | 10 | 4 | 1 | 1 | 6 | 2 | 2 | 2 | 2 | 2 | 2 | 2 | 1 | 1 |
| Elevate, Comb. Legs | ELEASMB7110276 | ELEASMB5512 | 1 | 2 | 2 | 2 | 10 | 4 | 1 | 1 | 6 | 2 | 2 | 2 | 2 | 2 | 2 | 2 | 1 | 1 |
| Elevate, AFP | ELEASMB7110277 | ELEASMB5609 | 1 | 2 | 2 | 2 | 10 | 4 | 1 | 1 | 6 | 2 | 1 | 1 | 1 | 1 | 1 | 1 | 1 | 1 |

The numbers within the table represent the quantity of each harness for each configuration.

| Item | Part No. | Name | Qty |
|------|--------------|---|-----|
| A1 | DWR1010D298 | MOUNTING BRACKET,ATTENDANT BRACKET,CURTIS STAND ALONE JOYSTICK,D-1010-298 | 1 |
| A2 | SCRPPH1165 | SCREW,PPH,BLACK ZINC,M4-.7 X 8MM,P-TYPE | 2 |
| A3 | SCRPPH1080 | SCREW,PPH,BLACK ZINC,8-32 X 0.75" | 2 |
| A4 | | ELECTRONIC,WRAP,3/8"D,1 FT, SPIRAL | 2 |
| A5 | PLSTIE1004 | TIE WRAP,BLACK,8" | 10 |
| A6 | | TIE WRAP,BLACK,18 1/2" | 4 |
| A7 | BRK8110019 | MULTIPLIER L-BRACKET,TRU-BALANCE 2 POWER RECLINE | 1 |
| A8 | MEC138556 | BRACKET,STRAIN RELIEF,AAM | 1 |
| A9 | SCRPPH1031 | SCREW, PPH,BLACK ZINC,4-40 X 3/8" | 2 |
| A10 | SCRPPH1379 | SCREW,PPH,BLACK ZINC,8-32 X 0.375" | 2 |
| A11 | DWR1303B026 | ELECTRICAL CONNECTION BRACKET,ARTICULATING LEGREST | 1 |
| A12 | NUT8120005 | NUT,T-SLOT,BLACK,M8-1.25 | 1 |
| A13 | SCRHHCS1382 | SCREW,HHCS,BLACK ZINC CHROMATE,M8-1.25 X 12MM,10.9 | 1 |
| A14 | WASSTND1002 | WASHER,FLAT,BLACK ZINC,0.3125" ID X 0.6875" OD X 0.0625" TH | 1 |
| A15 | WASSTND1155 | WASHER,FLAT,STAINLESS STEEL,.375"ID X .615"OD X .025"TH | 1 |
| A16 | NUTJAM1032 | NUT,JAM,THIN,STAINLESS STEEL,3/8-32 | 1 |
| B1 | PLSASMB2069 | PLASTIC,ASSY,CURTIS/AAM,TRU-BALANCE 2 POWER RECLINE | 1 |
| C1 | FRMASMB10455 | MOUNTING BRACKET,ASSY,ATTENDANT CONTROL,C-1010-285 | 1 |

2.3. Remote Plus Switch-it Recline Assy's



**The Switch-It Box requires a selection in the Program column for desired power functions.

REMOTE PLUS, Switch-It Box...

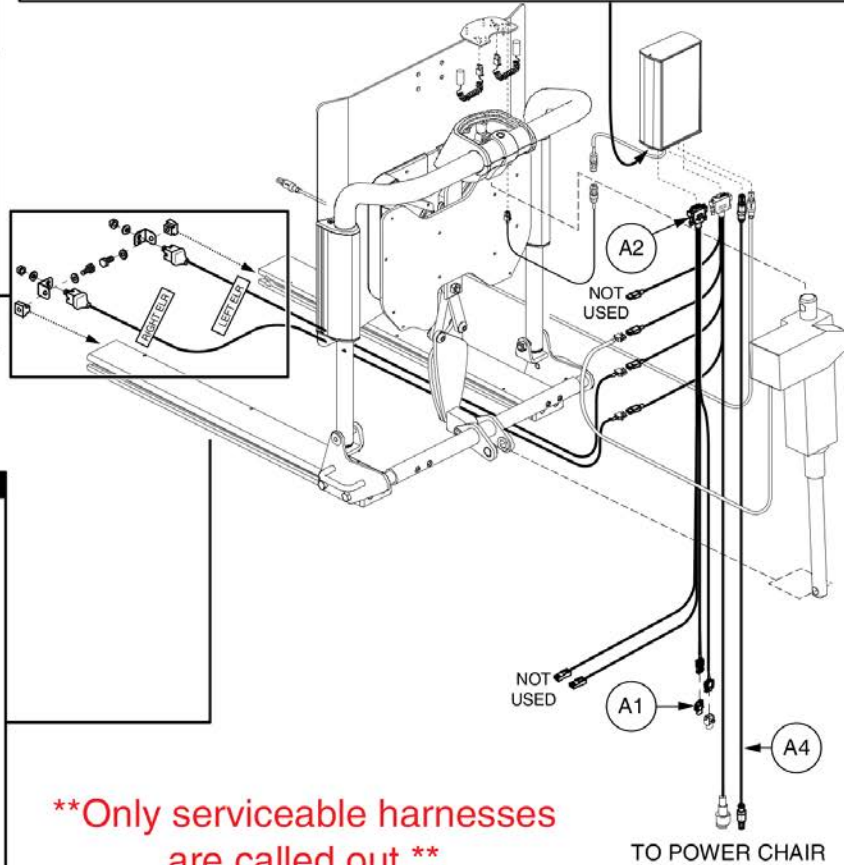
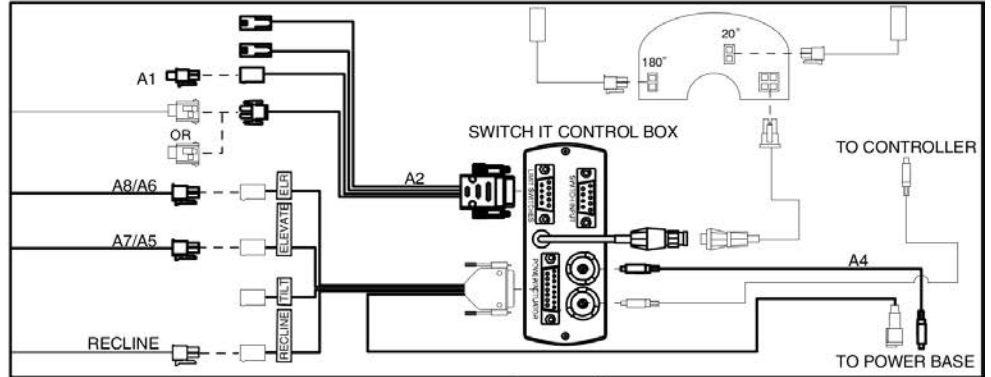
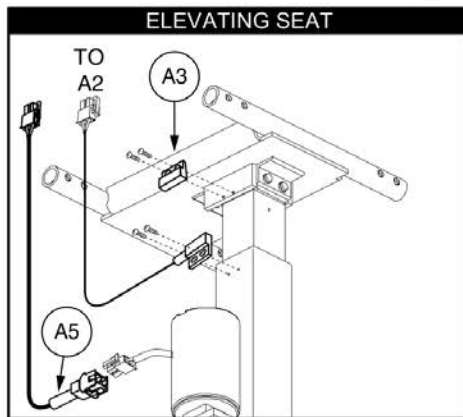
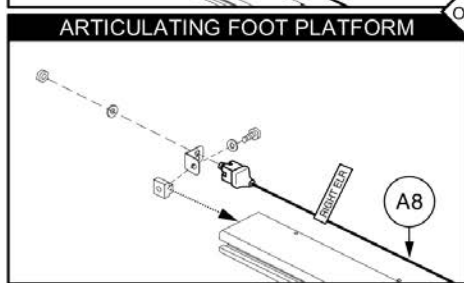
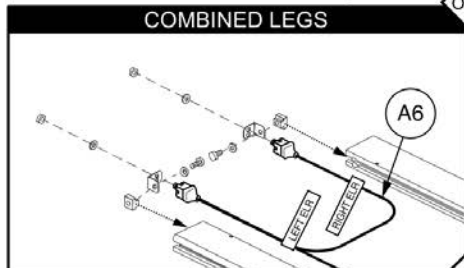
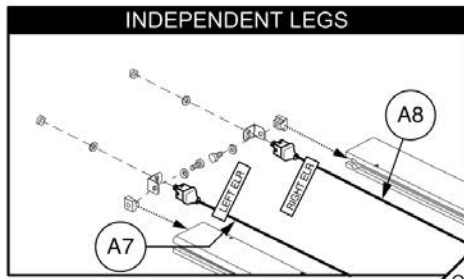
| ... w/ Recline and... | *Master Assembly* | Switch-It Box** | Program | Dip Switch Setting |
|--|-------------------|-------------------------|--------------------|--------------------|
| Recline Only | ELEASMB5321 | A1 (order a program) | a DWR1367H017 | |
| Independent Legs | ELEASMB5322 | A1 (order a program) | b DWR1367H006 | |
| Combined Legs | ELEASMB5323 | A1 (order a program) | c/d DWR1367H007 | |
| Articulating Foot Platform | ELEASMB5541 | A1 (order a program) | c/d DWR1367H007 | |
| Elevate | ELEASMB5320 | A1 (order a program) | e DWR1367H019 | |
| ... w/ Synchronized Recline and... | *Master Assembly* | Switch-It Box** | Program | Dip Switch Setting |
| Combined Legs with Independently Controlled Combined Legs | ELEASMB5324 | A1 (order a program) | f/h DWR1367H024 | |
| Combined Legs with Independently Controlled Elevate and Combined Legs | ELEASMB5325 | A1 (order a program) | g/i DWR1367H029 | |
| Articulating Foot Platform with Independently Controlled Articulating Foot Platform | ELEASMB5542 | A1 (order a program) | f/h DWR1367H024 | |
| Articulating Foot Platform with Independently Controlled Elevate and Articulating Ft. Platform | ELEASMB5543 | A1 (order a program) | g/i DWR1367H029 | |
| Independent Function | *Master Assembly* | Switch-It Box** | Program | Dip Switch Setting |

*Master assemblies contain harnesses and hardware components, which are not shown. Hardware components are not available separately; the master assembly must be ordered. Lower case letters designate Switch-It box programs for assemblies with the matching upper case letter.



| Item | Part No. | Name | Qty |
|------|-------------|--|-----|
| A1 | | ELECTRONIC,CONTROL BOX,4 ACTUATOR | 1 |
| a | DWR1367H017 | SWITCH-IT DIP SWITCH CONFIG.,RECLINE | 1 |
| b | DWR1367H006 | SWITCH-IT DIP SWITCH CONFIG.,RECLINE/INDEPENDENT LEGS | 1 |
| c/d | DWR1367H007 | SWITCH-IT DIP SWITCH CONFIG.,RECLINE/COMBINED LEGS | 1 |
| e | DWR1367H019 | SWITCH-IT DIP SWITCH CONFIG.,RECLINE/ELEVATE | 1 |
| f/h | DWR1367H024 | SWITCH-IT DIP SWITCH CONFIG.,SYNCHRONIZED RECLINE & COMBINED LEGS,W/INDEPENDENTLY CONTROLLED COMBINED LEGS | 1 |
| g/i | DWR1367H029 | SWITCH-IT DIP SWITCH CONFIG.,SWITCH-IT,SYNCHRONIZED RECLINE & COMBINED LEGS,W/INDEPENDENTLY CONTROLLED ELEVATE & COMBINED LEGS | 1 |

2.3. Remote Plus Switch-it Recline Assy's



****Only serviceable harnesses are called out.****

| ... w/ Recline and... | Master Assembly | A1 | A2 | A3 | A4 | A5 | A6 | A7 | A8 |
|----------------------------|-----------------|----|----|----|----|----|----|----|----|
| Recline Only | ELEASMB5321 | 1 | 1 | | 1 | | | | |
| Independent Legs | ELEASMB5322 | 1 | | | 1 | | | 1 | 1 |
| Combined Legs | ELEASMB5323 | 1 | 1 | | 1 | | 1 | | |
| Articulating Foot Platform | ELEASMB5541 | 1 | 1 | | 1 | | | | 1 |
| Elevate | ELEASMB5320 | | 1 | 1 | 1 | 1 | | | |

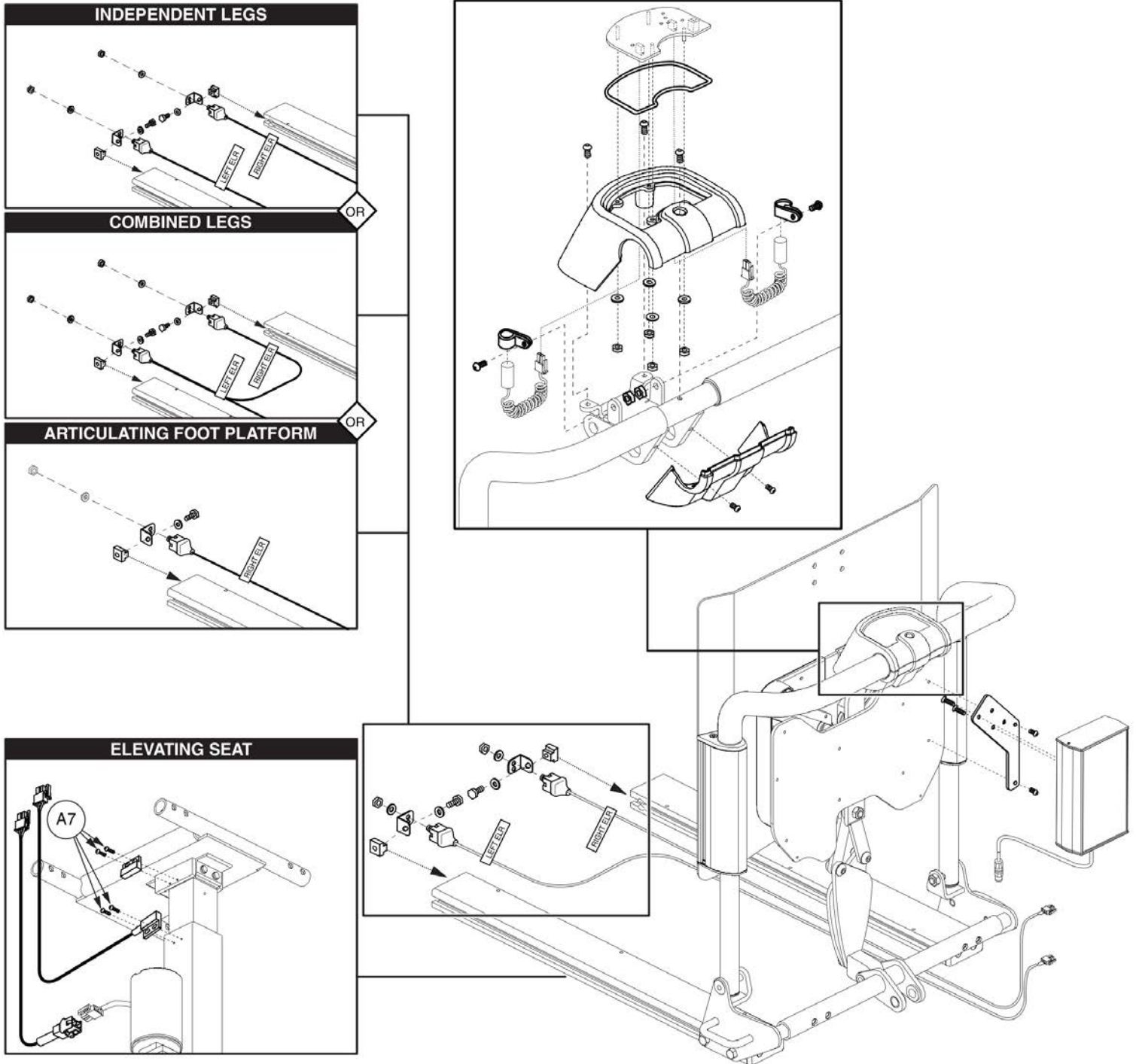
| ... w/ Synchronized Recline and... | Master Assembly | A1 | A2 | A3 | A4 | A5 | A6 | A7 | A8 |
|--------------------------------------|-----------------|----|----|----|----|----|----|----|----|
| CL with Independent CL | ELEASMB5324 | 1 | 1 | | 1 | | 1 | | |
| CL with Independent Elevate and CL | ELEASMB5325 | | 1 | 1 | 1 | 1 | 1 | | |
| AFP with Independent AFP | ELEASMB5542 | 1 | 1 | | 1 | | | | 1 |
| AFP with Independent Elevate and AFP | ELEASMB5543 | | 1 | 1 | 1 | 1 | | | 1 |

Note CL: Combined Legs, IL: Independent Legs
AFP: Articulating Foot Platform

The numbers within the table represent the quantity of each harness for each configuration.

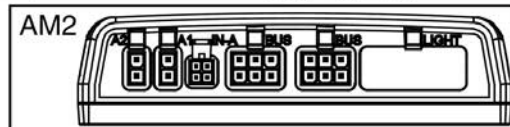
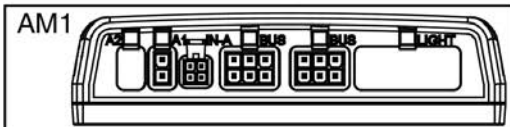
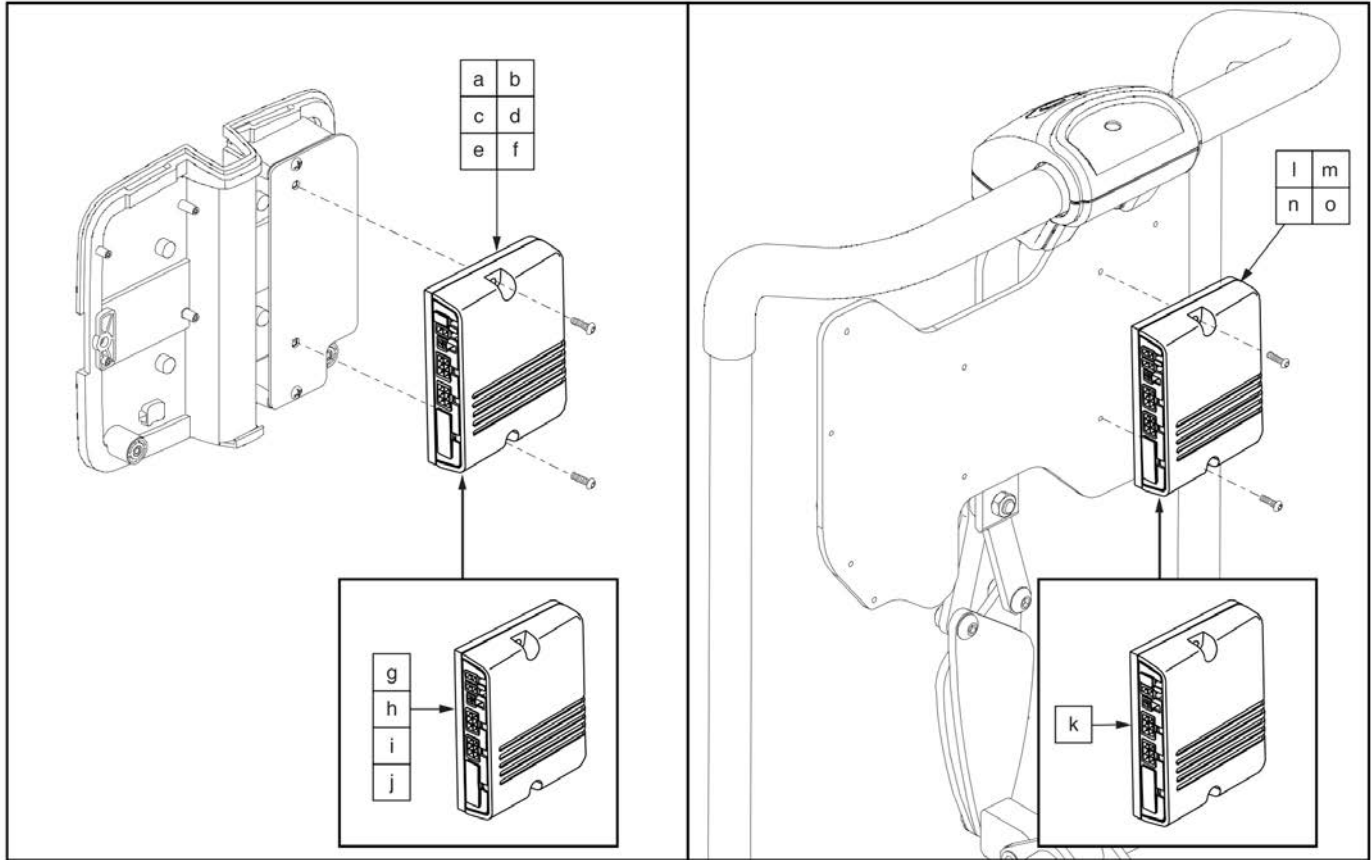
| Item | Part No. | Name | Qty |
|------|-------------|---|-----|
| A1 | | HARNESS,RUN PLUG,DYNAMIC,SENSOR | 1 |
| A2 | | HARNESS,POWER OPTIONS INHIBIT,TB2 TILT | 1 |
| A3 | SWTMAGN1001 | ELECTRONIC,SWITCH,HERMETIC,PRX +8100 | 1 |
| A4 | | ELECTRONIC,HARNESS,1.16 LONG,REDEL CABLE, REMOTE PLUS,JOYSTICK TO TRAY,H-1010-049 | 1 |
| A5 | DWR1265H017 | ELECTRONIC,HARNESS,POWER SEAT,TRU-BALANCE TILT 2,H-1265-017 | 1 |
| A6 | DWR1265H005 | ELECTRONIC,HARNESS,COMBINED ELR,CURTIS,TRU-BALANCE TILT 2,H-1265-005 | 1 |
| A7 | DWR1265H006 | ELECTRONIC,HARNESS,INDEPENDENT ELR,CURTIS,TRU-BALANCE TILT 2,LEFT,H-1265-006 | 1 |
| A8 | DWR1265H007 | ELECTRONIC,HARNESS,INDEPENDENT ELR,CURTIS,TRU-BALANCE TILT 2,RIGHT,H-1265-007 | 1 |

2.3. Remote Plus Switch-it Recline Assy's



This page intentionally left blank

3.1. Curtis thru AM1 / AM2 Assy's



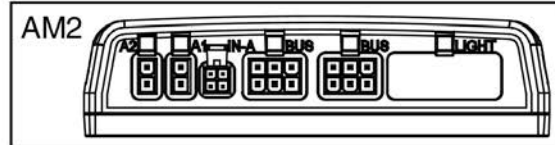
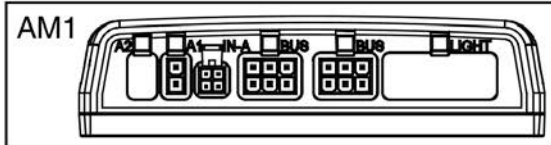
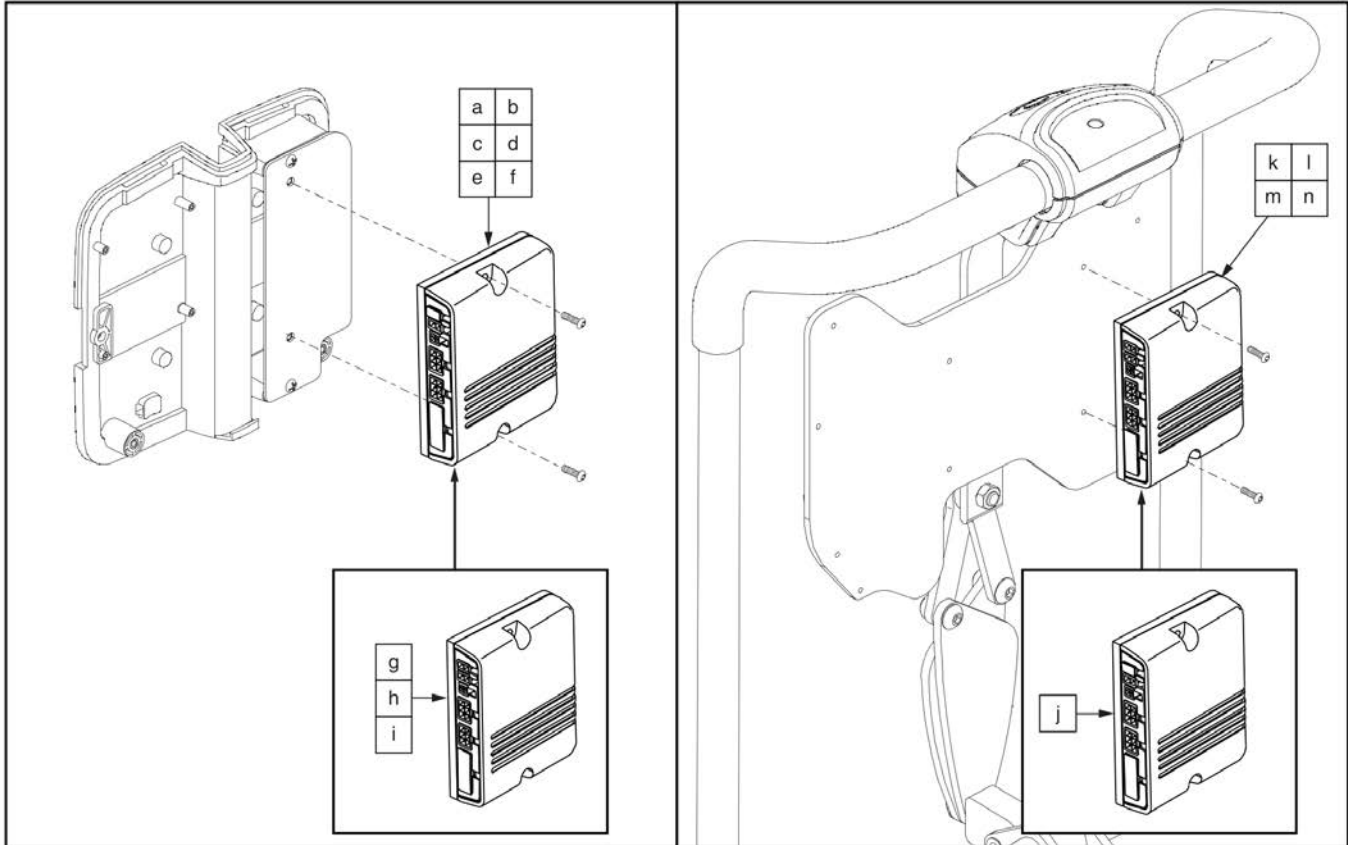
| | | |
|---------------------------------------|-------------------------|--------------------------------|
| Tilt (AM1) and... | *Master Assembly | Module w/ Programming ⚠ |
| R4000/ Q614, No Pressure Switches | A1 ELEASMB7102 | a/b ELEASMB6578 |
| R4000/ Q614 with Pressure Switches | B1 ELEASMB6574 | a/b ELEASMB6578 |
| Manual Recline with Pressure Switches | C1 ELEASMB6036 | c/d/e/f ELEASMB6043 |
| Manual Recline, No Pressure Switches | D1 ELEASMB7100 | c/d/e/f ELEASMB6043 |
| No Pressure Switches | E1 ELEASMB6573 | c/d/e/f ELEASMB6043 |
| Pressure Switches | F1 ELEASMB6035 | c/d/e/f ELEASMB6043 |
| Tilt (AM2) and... | *Master Assembly | Module w/ Programming ⚠ |
| AFP, No Pressure Switches | G1 ELEASMB7101 | g/h ELEASMB6433 |
| AFP with Pressure Switches | H1 ELEASMB6429 | g/h ELEASMB6433 |
| Elevate | I1 ELEASMB7159 | i ELEASMB7162 |
| R44 AFP, No Pressure Switches | J1 ELE121679 | j ELE121680 |
| Recline and... | *Master Assembly | Module w/ Programming ⚠ |
| Recline Only (AM1) | K1 ELEASMB6640 | k ELEASMB6045 |
| AFP (AM2) | L1 ELEASMB6641 | l ELEASMB6435 |
| Elevate (AM2) | M1 ELEASMB7160 | m ELEASMB7163 |
| Tilt, Recline, and... | *Master Assembly | Module w/ Programming ⚠ |
| Pressure Switches (AM2) | N1 ELEASMB6639 | n/o ELEASMB6044 |
| No Pressure Switches (AM2) | O1 ELEASMB7103 | n/o ELEASMB6044 |

⚠ Actuator Module Replacement ⚠
****Modules shown here are ONLY compatible with units manufactured AFTER January 2, 2012.****

*Master assemblies contain AM1 or AM2 modules in addition to harnesses and hardware components, which are not shown.
 Reference component pages for illustrations and parts lists with the Master Assembly part number in the table. Lower-case letters designate modules in assemblies with the matching upper-case letter.

| Item | Part No. | Name | Qty |
|---------|-------------|--|-----|
| A1 | ELEASMB7102 | NE+/Q-LOGIC THRU AM1,TB2 TILT,TILT,45°,(CONF. #20) | 1 |
| B1 | ELEASMB6574 | NE+/Q-LOGIC THRU AM1,TB2TILT,TILT,45°,W/PRESSURE SWITCH (CONF. #20) | 1 |
| C1 | ELEASMB6036 | NE+,TB2 TILT,TILT THRU JOYSTICK W/MANUAL RECLINE,W/PRESSURE SWITCH (CONF. #20) | 1 |
| D1 | ELEASMB7100 | NE+,TB2 TILT,TILT THRU JOYSTICK W/MANUAL RECLINE,W/O PRESSURE SWITCH,(CONF. #20) | 1 |
| E1 | ELEASMB6573 | NE+/Q-LOGIC THRU AM1,TILT,W/O PRESSURE SWITCH,TB2 TILT,(CONF. #20) | 1 |
| F1 | ELEASMB6035 | NE+/Q-LOGIC THRU AM1,TB2 TILT,TILT THRU JOYSTICK,W/PRESSURE SWITCH (CONF. #20) | 1 |
| G1 | ELEASMB7101 | NE PLUS,TB2 TILT,TILT/POWER ARTICULATING FOOT PLATFORM,THRU JOYSTICK,W/O PRESSURE SWITCH,(CONF. #23) | 1 |
| H1 | ELEASMB6429 | NE PLUS,TB2 TILT,TILT/POWER ARTICULATING FOOT PLATFORM,THRU JOYSTICK,W/PRESSURE SWITCH (CONF. #23) | 1 |
| I1 | ELEASMB7159 | NE PLUS,TB2 TILT,TILT/ELEVATE,THRU JOYSTICK,(CONF.#24) | 1 |
| J1 | ELE121679 | NE PLUS,TILT,AFP,THRU JOYSTICK,45°,(CONF. #23) | 1 |
| K1 | ELEASMB6640 | NE PLUS,TB2 RECLINE,RECLINE ONLY,(CONF. #08) | 1 |
| L1 | ELEASMB6641 | NE PLUS,TB2 RECLINE,RECLINE/POWER AFP,W/INDEPENDENTLY CONTROLLED POWER AFP,(CONF. #11) | 1 |
| M1 | ELEASMB7160 | NE PLUS,TB2 RECLINE,RECLINE/ELEVATE,(CONF. #14) | 1 |
| N1 | ELEASMB6639 | NE PLUS,TB2 TILT & RECLINE,TILT/RECLINE,W/PRESSURE SWITCH (CONF. #28) | 1 |
| O1 | ELEASMB7103 | NE PLUS,TB2 TILT & RECLINE,TILT/RECLINE,W/O PRESSURE SWITCH,(CONF. #28) | 1 |
| a/b | ELEASMB6578 | AM1 MODULE,W/PROGRAMMING,TB2 TILT,R4000/Q614,(CONF.#20) | 1 |
| c/d/e/f | ELEASMB6043 | AM1,TILT ONLY,(CONFIG.#20) | 1 |
| g/h | ELEASMB6433 | AM2,TILT W/AFP,(CONFIG.#23) | 1 |
| i | ELEASMB7162 | AM2,LIFT & TILT,(CONFIG.#24) | 1 |
| j | ELE121680 | NE+ AM2 MODULE,TILT/AFP,45°,(CONF. #23) | 1 |
| k | ELEASMB6045 | AM1,RECLINE ONLY,(CONFIG.#8) | 1 |
| l | ELEASMB6435 | AM2,RECLINE W/AFP,(CONFIG.#11) | 1 |
| m | ELEASMB7163 | AM2,LIFT & RECLINE,(CONFIG.#14) | 1 |
| n/o | ELEASMB6044 | AM2,TILT & RECLINE,(CONFIG.#28) | 1 |

3.1. Curtis thru AM1 / AM2 Assy's



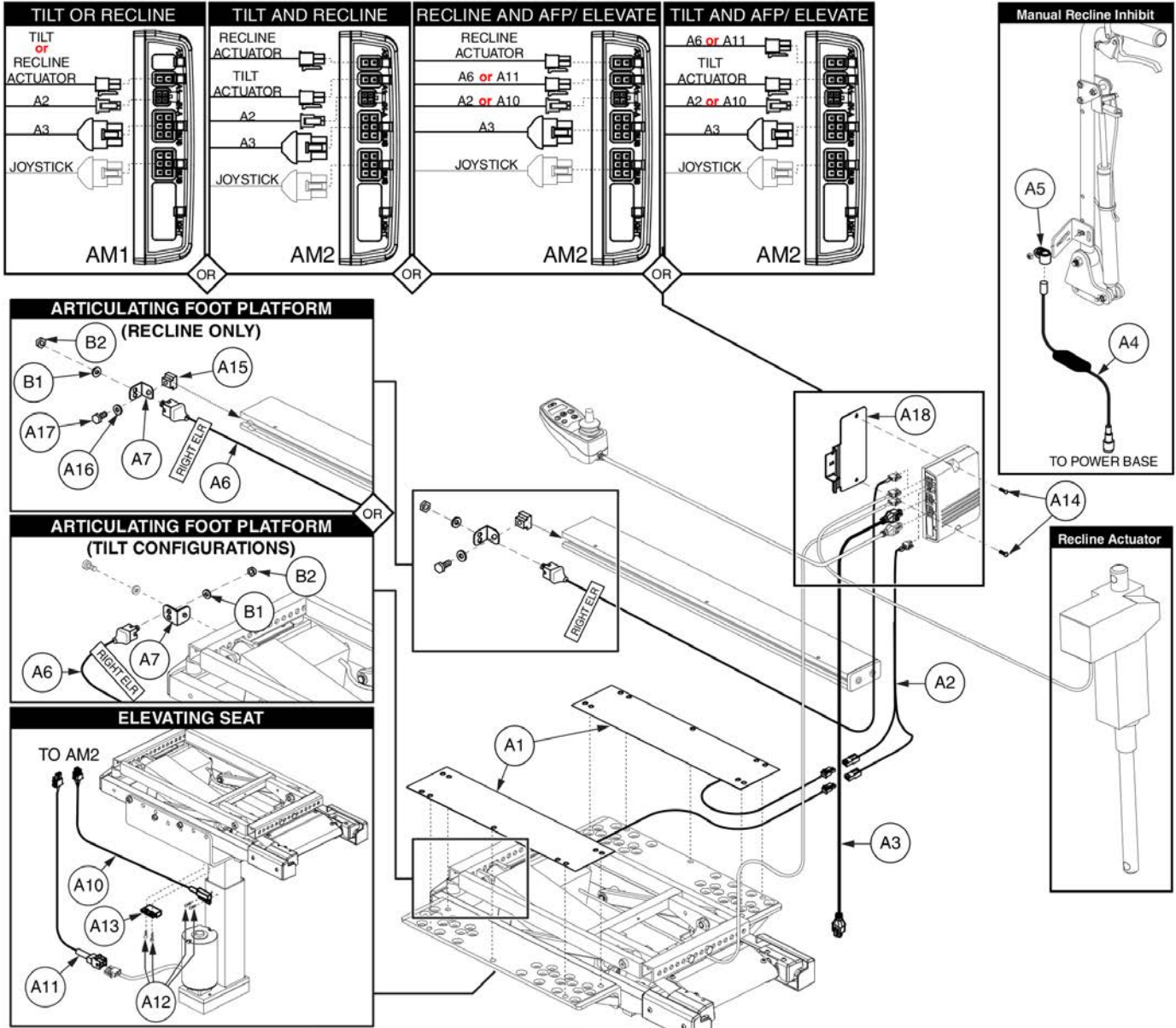
| Tilt (AM1) and... | *Master Assembly | Module w/ Programming ⚠ |
|---|---------------------|--------------------------|
| R4000/ Q614, No Pressure Switches | A1 ELEASMB7110169 | a/b ELEASMB7110038 |
| R4000/ Q614 with Pressure Switches | B1 ELEASMB7110165 | a/b ELEASMB7110038 |
| Manual Recline with Pressure Switches | C1 ELEASMB7110161 | c/d/e/f ELEASMB7110036 |
| Manual Recline, No Pressure Switches | D1 ELEASMB7110166 | c/d/e/f ELEASMB7110036 |
| No Pressure Switches | E1 ELEASMB7110163 | c/d/e/f ELEASMB7110036 |
| Pressure Switches | F1 ELEASMB7110158 | c/d/e/f ELEASMB7110036 |
| Tilt (AM2) and... | *Master Assembly | Module w/ Programming ⚠ |
| Articulating Foot Platform, No Pressure Switches | G1 ELEASMB7110168 | g/h ELEASMB7110037 |
| Articulating Foot Platform with Pressure Switches | H1 ELEASMB7110162 | g/h ELEASMB7110037 |
| Elevate | I1 ELEASMB7110171 | i ELEASMB7110039 |
| Recline and.. | *Master Assembly | Module w/ Programming ⚠ |
| Recline Only (AM1) | J1 ELEASMB7110176 | j ELEASMB7110041 |
| Articulating Foot Platform (AM2) | K1 ELEASMB7110178 | k ELEASMB7110042 |
| Elevate (AM2) | L1 ELEASMB7110179 | l ELEASMB7110043 |
| Tilt, Recline, and... | *Master Assembly | Module w/ Programming ⚠ |
| Pressure Switches (AM2) | M1 ELEASMB7110172 | m/n ELEASMB7110040 |
| No Pressure Switches (AM2) | N1 ELEASMB7110174 | m/n ELEASMB7110040 |

⚠ Actuator Module Replacement ⚠
 Modules shown here are **ONLY compatible with units manufactured **BEFORE** January 2, 2012.**

*Master assemblies contain AM1 or AM2 modules in addition to harnesses and hardware components, which are not shown.
 Reference component pages for illustrations and parts lists with the Master Assembly part number in the table. Lower-case letters designate modules in assemblies with the matching upper-case letter.

| Item | Part No. | Name | Qty |
|---------|----------------|---|-----|
| A1 | ELEASMB7110169 | ELECTRONIC,ASSY,TB2 TILT,TILT,R4000/Q614,(CONF. #20) | 1 |
| B1 | ELEASMB7110165 | NE+/Q-LOGIC THRU AM1 (FW 1.16),TB2 TILT,TILT,R4000/Q614,W/PRESSURE SWITCH (CONF. #20) | 1 |
| C1 | ELEASMB7110161 | NE+ (FW 1.16),TB2 TILT,TILT THRU JOYSTICK W/MANUAL RECLINE,W/PRESSURE SWITCH (CONF. #20) | 1 |
| D1 | ELEASMB7110166 | NE PLUS (FW 1.16),TB2 TILT,TILT THRU JOYSTICK W/MANUAL RECLINE,(CONF. #20) | 1 |
| E1 | ELEASMB7110163 | NE+/Q-LOGIC THRU AM1(FW 1.16),TB2 TILT,TILT,(CONF.#20) | 1 |
| F1 | ELEASMB7110158 | NE+/Q-LOGIC THRU AM1 (FW 1.16),TB2TILT,TILT THRU JOYSTICK,W/PRESSURE SWITCH (CONF. #20) | 1 |
| G1 | ELEASMB7110168 | NE PLUS (FW 1.16),TB2 TILT,TILT/AFP,THRU JOYSTICK,(CONF. #23) | 1 |
| H1 | ELEASMB7110162 | NE PLUS (FW 1.16),TB2 TILT,TILT/ARTICULATING FOOT PLATFORM,THRU JOYSTICK,W/PRESSURE SWITCH (CONF. # 23) | 1 |
| I1 | ELEASMB7110171 | NE PLUS (FW 1.16),TB2 TILT,TILT/ELEVATE,THRU JOYSTICK,(CONF.# 24) | 1 |
| J1 | ELEASMB7110176 | NE PLUS (FW 1.16),TB2 RECLINE,RECLINE ONLY,(CONF. #08) | 1 |
| K1 | ELEASMB7110178 | NE PLUS (FW 1.16),TB2 RECLINE,RECLINE/POWER AFP,W/INDEPENDENTLY CONTROLLED POWER AFP,(CONF. #11) | 1 |
| L1 | ELEASMB7110179 | NE PLUS(FW 1.16),TB2 RECLINE,RECLINE/ELEVATE,(CONF.#14) | 1 |
| M1 | ELEASMB7110172 | NE PLUS (FW 1.16),TB2 TILT & RECLINE,TILT/RECLINE,W/PRESSURE SWITCH (CONF. #28) | 1 |
| N1 | ELEASMB7110174 | NE PLUS (FW 1.16),TB2 TILT & RECLINE,TILT/RECLINE,(CONF. #28) | 1 |
| a/b | ELEASMB7110038 | AM1 MODULE (FW 1.16),W/PROGRAMMING,TB2 TILT,R4000/Q614,(CONF. #20) | 1 |
| c/d/e/f | ELEASMB7110036 | AM1 MODULE(FW 1.16),W/PROGRAMMING,TB2 TILT,(CONF. #20) | 1 |
| g/h | ELEASMB7110037 | NE+ AM2 MODULE (FW 1.16),W/PROGRAMMING,TB2 TILT/POWER FOOT PLATFORM,(CONF. #23) | 1 |
| i | ELEASMB7110039 | NE+ AM2 MODULE(FW 1.16),W/PROGRAMMING,TB2,TILT/ELEVATE,(CONF. #24) | 1 |
| j | ELEASMB7110041 | AM1 MODULE (FW 1.16),W/PROGRAMMING,TB2 RECLINE,(CONF. #8) | 1 |
| k | ELEASMB7110042 | NE+ AM2 MODULE (FW 1.16),W/PROGRAMMING,TB2 RECLINE/POWER FOOT PLATFORM,(CONF. #11) | 1 |
| l | ELEASMB7110043 | NE+ AM2 MODULE (FW 1.16),W/ PROGRAMMING,TB2 RECLINE/ELEVATE,(CONF. #14) | 1 |
| m/n | ELEASMB7110040 | NE+ AM2 MODULE (FW 1.16),W/PROGRAMMING,TB2 TILT/RECLINE,(CONF. #28) | 1 |

3.1. Curtis thru AM1 / AM2 Assy's

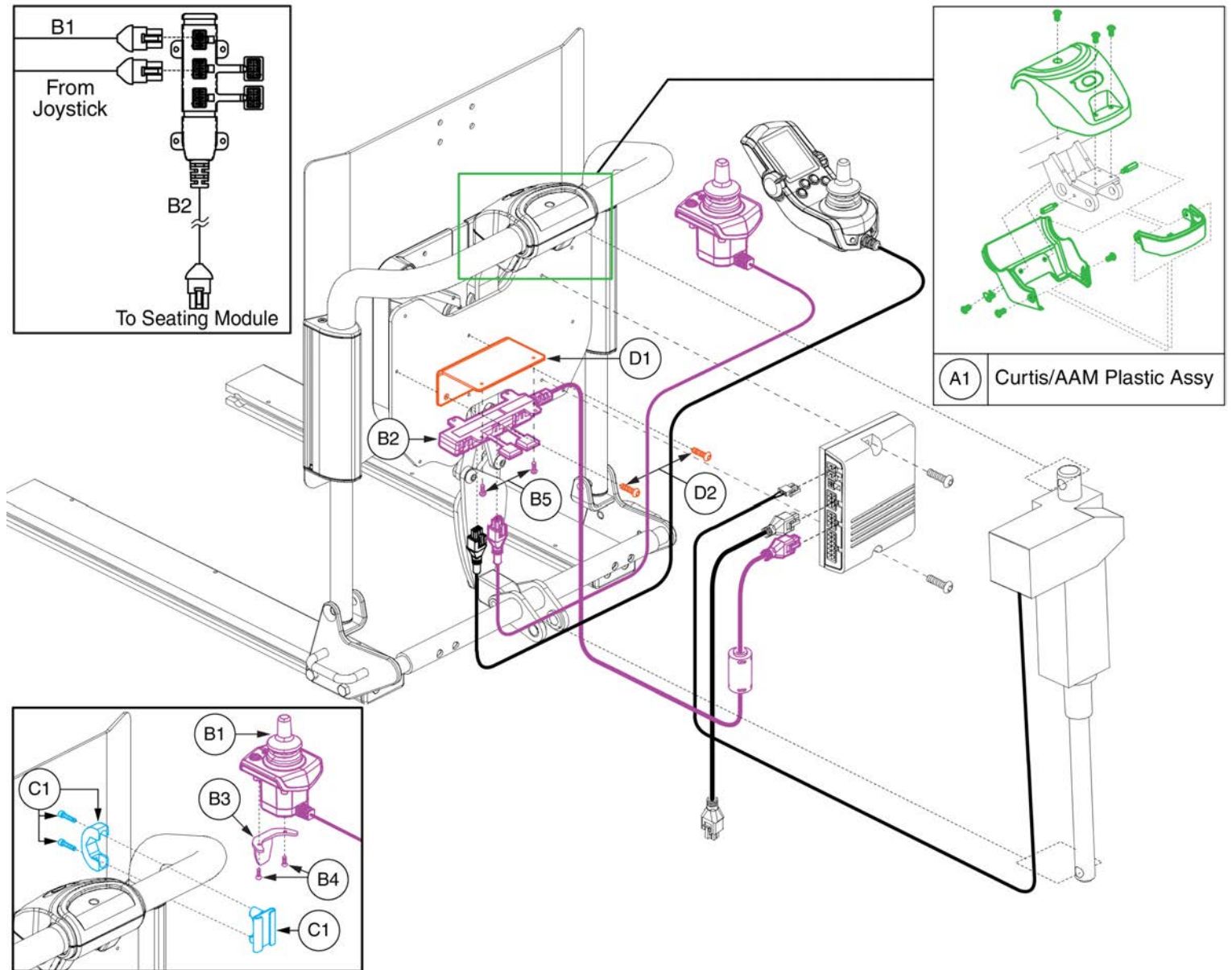


| | Master Assembly | | Parts are not pickable from table, please use parts list to select | | | | | | | | | | | | | | | | | | | | |
|------------------------------------|-----------------|--------------|--|----|----|----|----|----|----|----|----|-----|-----|-----|-----|-----|-----|-----|-----|-----|----|----|---|
| | Before 1/2/12 | After 1/2/12 | A1 | A2 | A3 | A4 | A5 | A6 | A7 | A8 | A9 | A10 | A11 | A12 | A13 | A14 | A15 | A16 | A17 | A18 | B1 | B2 | |
| Tilt (AM1) and... | | | | | | | | | | | | | | | | | | | | | | | |
| R4000/ Q614, No Pressure Switches | ELEASMB7110169 | ELEASMB7102 | | | 1 | | | | | | | | | | | 2 | | | | | | 1 | |
| R4000/ Q614 w/ Pressure Switches | ELEASMB7110165 | ELEASMB6574 | 2 | 1 | 1 | | | | | | | | | | | 2 | | | | | | 1 | |
| Man. Recline w/ Pressure Switches | ELEASMB7110161 | ELEASMB6036 | 2 | 1 | 1 | 1 | 1 | | | | | | | | | 2 | | | | | | 1 | |
| Man. Recline, No Pressure Switches | ELEASMB7110166 | ELEASMB7100 | | | 1 | 1 | 1 | | | | | | | | | 2 | | | | | | 1 | |
| No Pressure Switches | ELEASMB7110163 | ELEASMB6573 | | | 1 | | | | | | | | | | | 2 | | | | | | 1 | |
| Pressure Switches | ELEASMB7110158 | ELEASMB6035 | 2 | 1 | 1 | | | | | | | | | | | 2 | | | | | | 1 | |
| Tilt (AM2) and... | | | | | | | | | | | | | | | | | | | | | | | |
| AFP, No Pressure Switches | ELEASMB7110168 | ELEASMB7101 | | | 1 | | | 1 | 1 | 5 | 1 | | | | | 2 | 1 | | | | | 1 | 1 |
| AFP with Pressure Switches | ELEASMB7110162 | ELEASMB6429 | 2 | 1 | 1 | | | 1 | 1 | 5 | 1 | | | | | 2 | 1 | | | | | 1 | 1 |
| Elevate | ELEASMB7110171 | ELEASMB7159 | | | 1 | | | | | 5 | 1 | 1 | 1 | 4 | 1 | 2 | | | | | | 1 | |
| R44 AFP, No Pressure Switches | N/A | ELE121679 | | | 1 | | | 1 | 1 | 5 | 1 | | | | | 2 | 1 | | | | | 1 | 1 |
| Recline and... | | | | | | | | | | | | | | | | | | | | | | | |
| Recline Only (AM1) | ELEASMB7110176 | ELEASMB6640 | | | 1 | | | | | 5 | 1 | | | | | 2 | | | | | | 1 | |
| Articulating Foot Platform (AM2) | ELEASMB7110178 | ELEASMB6641 | | | 1 | | | 1 | 1 | 5 | 1 | | | | | 2 | 1 | 1 | 1 | 1 | 1 | 1 | 1 |
| Elevate (AM2) | ELEASMB7110179 | ELEASMB7160 | | | 1 | | | | | 5 | 1 | 1 | 1 | 4 | 1 | 2 | | | | | | 1 | |
| Tilt, Recline, and... | | | | | | | | | | | | | | | | | | | | | | | |
| Pressure Switches (AM2) | ELEASMB7110172 | ELEASMB6639 | 2 | 1 | 1 | | | | | 5 | 1 | | | | | 2 | | | | | | 1 | |
| No Pressure Switches (AM2) | ELEASMB7110174 | ELEASMB7103 | | | 1 | | | | | 5 | 1 | | | | | 2 | | | | | | 1 | |

The numbers within the table represent the quantity of each harness for each configuration.

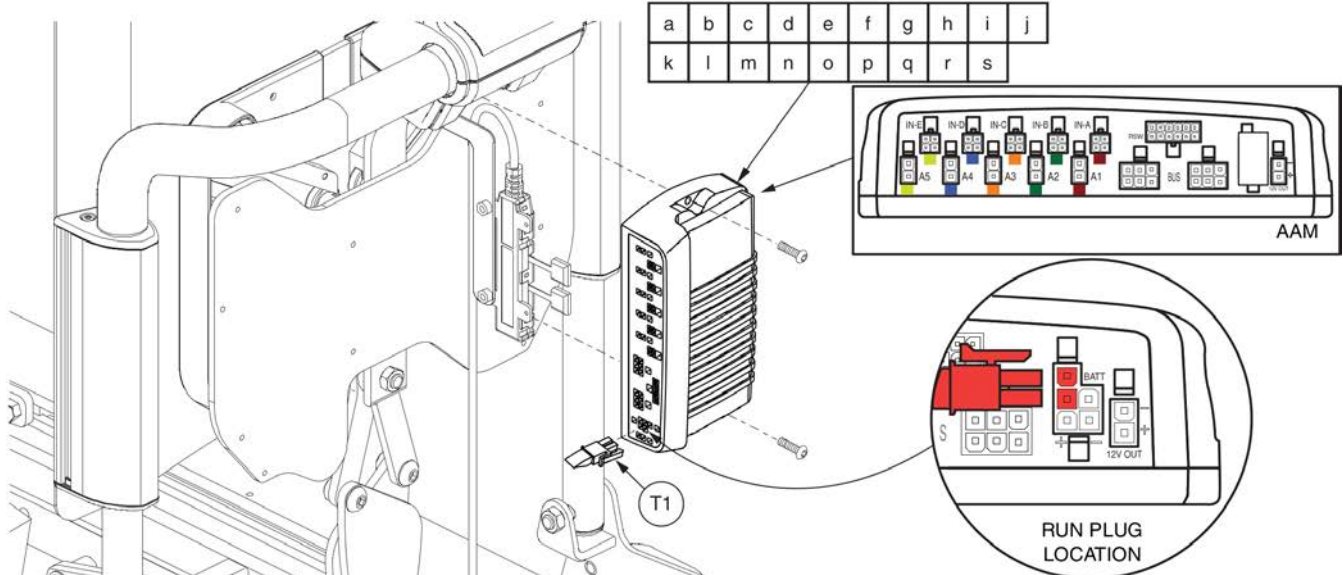
| Item | Part No. | Name | Qty |
|------|-------------|---|-----|
| A1 | DWR1265H001 | ELECTRONIC,SWITCH,PRESSURE,ANTI-PINCH,TB2 TILT | 2 |
| A2 | DWR1265H004 | HARNESS,"Y",ANTI-PINCH SWITCH,TB2 TILT | 1 |
| A3 | DWR1111H047 | HARNESS,BUS CABLE,1.0 METER,FEMALE/FEMALE,H-1111-047,(CURTIS:17881302) | 1 |
| A4 | ELE142519 | HARNESS,COMBINATION,INHIBIT,MANUAL TILT,ROHS | 1 |
| A5 | CLPCBLC1025 | CLAMP,CABLE,STEEL,0.50" DIA,RUBBER COATED | 1 |
| A6 | DWR1265H007 | ELECTRONIC,HARNESS,INDEPENDENT ELR,CURTIS,TRU-BALANCE TILT 2,RIGHT,H-1265-007 | 1 |
| A7 | DWR1303B026 | ELECTRICAL CONNECTION BRACKET,ARTICULATING LEGREST | 1 |
| *A8 | PLSTIE1004 | TIE WRAP,BLACK,8" | 5 |
| *A9 | | ELECTRONIC,WRAP,3/8"D,1 FT, SPIRAL | 1 |
| A10 | DWR1265H016 | ELECTRONIC,HARNESS,POWER SEAT INHIBIT,CURTIS,TRUBALANCE TILT 2,H-1265-016 | 1 |
| A11 | DWR1265H017 | ELECTRONIC,HARNESS,POWER SEAT,TRU-BALANCE TILT 2,H-1265-017 | 1 |
| A12 | SCRPPH1031 | SCREW, PPH,BLACK ZINC,4-40 X 3/8" | 1 |
| A13 | SWTMAGN1001 | ELECTRONIC,SWITCH,HERMETIC,PRX +8100 | 1 |
| A14 | SCRPPH1080 | SCREW,PPH,BLACK ZINC,8-32 X 0.75" | 2 |
| A15 | NUT8120005 | NUT,T-SLOT,BLACK,M8-1.25 | 1 |
| A16 | WASSTND1002 | WASHER,FLAT,BLACK ZINC,0.3125" ID X 0.6875" OD X 0.0625" TH | 1 |
| A17 | SCRHHCS1382 | SCREW,HHCS,BLACK ZINC CHROMATE,M8-1.25 X 12MM,10.9 | 1 |
| A18 | MEC138637 | BRACKET,STRAIN RELIEF,AM1 | 1 |
| B1 | WASSTND1155 | WASHER,FLAT,STAINLESS STEEL,.375"ID X .615"OD X .025"TH | 1 |
| B2 | NUTJAM1032 | NUT,JAM,THIN,STAINLESS STEEL,3/8-32 | 1 |

3.1. Curtis thru AM1 / AM2 Assy's



| Item | Part No. | Name | Qty |
|----------|--------------|---|-----|
| A1 | PLSASMB2069 | PLASTIC,ASSY,CURTIS/AAM,TRU-BALANCE 2 POWER RECLINE | 1 |
| *B1 - C1 | ELEASMB6642 | ASSY,NE+,ATTENDANT CONTROL MODULE,W/BRACKET & HARDWARE | 1 |
| B1 | CTL137822 | CONTROLLER,ATTENDANT CONTROL MODULE 2.0,Q-LOGIC 2 | 1 |
| B2 | DWR1111H053 | HARNESS,MULTIPLIER BOX,0.3 METER,H-1111-053,(CURTIS: 17869700) | 1 |
| B3 | DWR1010D298 | MOUNTING BRACKET,ATTENDANT BRACKET,CURTIS STAND ALONE JOYSTICK,D-1010-298 | 1 |
| B4 | SCRPPH1165 | SCREW,PPH,BLACK ZINC,M4-.7 X 8MM,P-TYPE | 2 |
| B5 | SCRPPH1031 | SCREW, PPH,BLACK ZINC,4-40 X 3/8" | 2 |
| C1 | FRMASMB10455 | MOUNTING BRACKET,ASSY,ATTENDANT CONTROL,C-1010-285 | 1 |
| D1 | BRK8110019 | MULTIPLIER L-BRACKET,TRU-BALANCE 2 POWER RECLINE | 1 |
| D2 | SCRPPH1379 | SCREW,PPH,BLACK ZINC,8-32 X 0.375" | 2 |

3.2. Curtis thru AAM Tilt & Recline Assy's



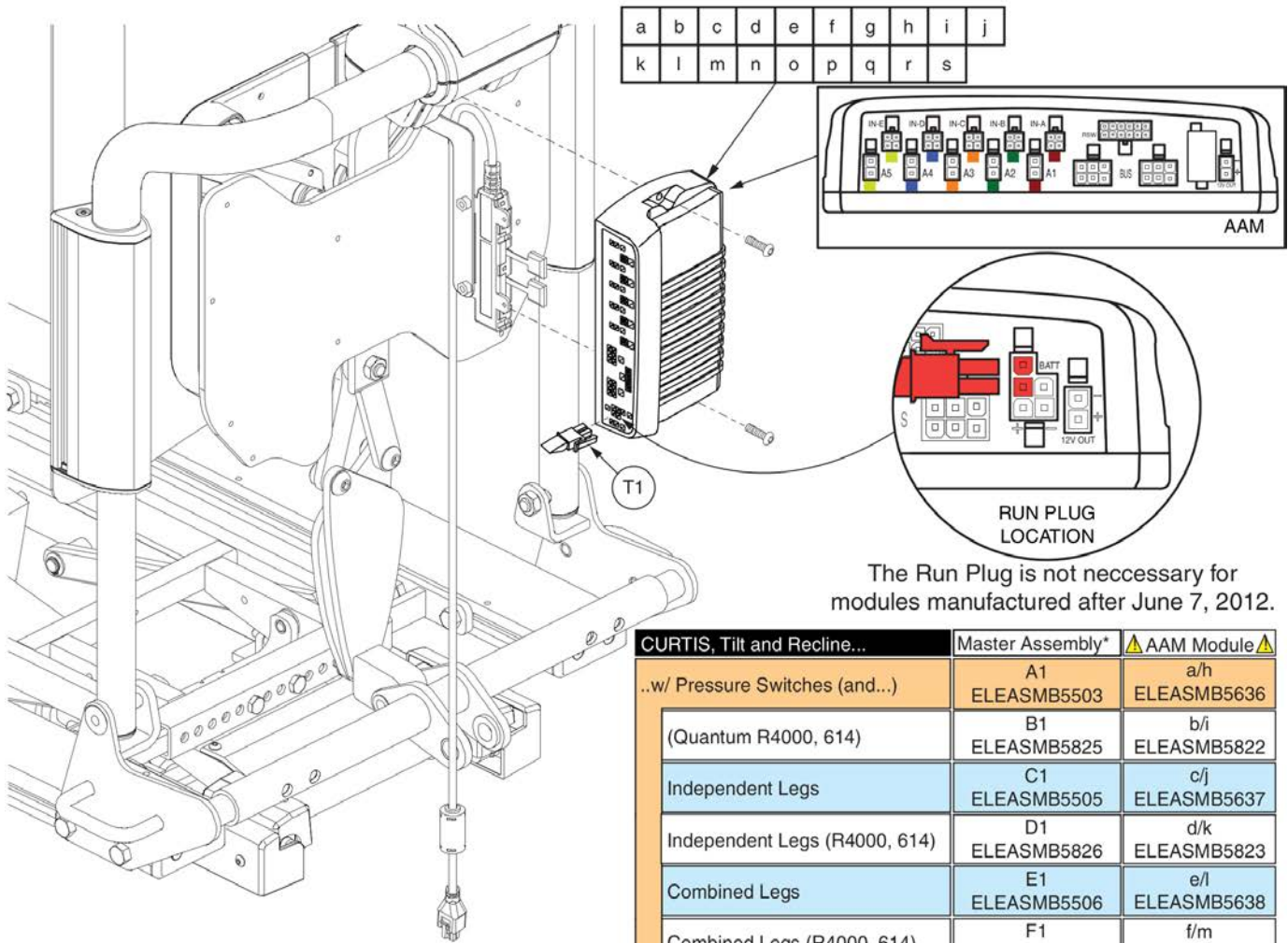
The Run Plug is not necessary for modules manufactured after June 7, 2012.

Actuator Module Replacement
 Modules shown here are **ONLY** compatible with units manufactured **AFTER** January 2, 2012.

*Master assemblies contain harnesses and hardware components not shown. Reference component pages for illustrations and parts lists with the Master Assembly part number in the table.
 Lower case letters designate AAM modules in assemblies with the matching upper case letter.

| CURTIS, Tilt and Recline... | Master Assembly* | AAM Module |
|------------------------------------|-------------------|--------------------|
| ..w/ Pressure Switches (and...) | A1 ELEASMB5503 | a/h ELEASMB5636 |
| (Quantum R4000, 614) | B1 ELEASMB5825 | b/i ELEASMB5822 |
| Independent Legs | C1 ELEASMB5505 | c/j ELEASMB5637 |
| Independent Legs (R4000, 614) | D1 ELEASMB5826 | d/k ELEASMB5823 |
| Combined Legs | E1 ELEASMB5506 | e/l ELEASMB5638 |
| Combined Legs (R4000, 614) | F1 ELEASMB5827 | f/m ELEASMB5824 |
| Articulating Foot Platform | G1 ELEASMB5606 | g/n ELEASMB5639 |
| ..w/ No Pressure Switches (and...) | H1 ELEASMB7110 | a/h ELEASMB5636 |
| (Quantum R4000, 614) | I1 ELEASMB7114 | b/i ELEASMB5822 |
| Independent Legs | J1 ELEASMB7111 | c/j ELEASMB5637 |
| Independent Legs (R4000, 614) | K1 ELEASMB7115 | d/k ELEASMB5823 |
| Combined Legs | L1 ELEASMB7112 | e/l ELEASMB5638 |
| Combined Legs (R4000, 614) | M1 ELEASMB7116 | f/m ELEASMB5824 |
| Articulating Foot Platform | N1 ELEASMB7113 | g/n ELEASMB5639 |
| Articulating Foot Platform, R44 | O1 ELE121672 | o ELE121673 |
| ..w/ Elevating Seat (and...) | P1 ELEASMB5504 | p ELEASMB5640 |
| Independent Legs | Q1 ELEASMB5507 | q ELEASMB5641 |
| Combined Legs | R1 ELEASMB5508 | r ELEASMB5642 |
| Articulating Foot Platform | S1 ELEASMB5607 | s ELEASMB5643 |
| | Master Assembly* | AAM Module |

| Item | Part No. | Name | Qty |
|------|-------------|---|-----|
| A1 | ELEASMB5503 | CURTIS/AAM,TILT/RECLINE,W/PRESSURE SWITCH,(CONFIG. #28) | 1 |
| B1 | ELEASMB5825 | CURTIS/AAM,TILT/RECLINE,R4000/Q614,W/PRESSURE SWITCH,(CONFIG. #28) | 1 |
| C1 | ELEASMB5505 | CURTIS/AAM,TILT/RECLINE/IND. LEGS,SYNC. RECLINE W/ IND. CONTROLLED IND. LEGS,W/PRESSURE SWITCH,(CONFIG. #29) | 1 |
| D1 | ELEASMB5826 | CURTIS/AAM,TILT/RECLINE/IND. LEGS,SYNC. RECLINE W/IND.CONTROLLED IND. LEGS,R4000/Q614,W/PRESSURE SWITCH,(CONFIG. #29) | 1 |
| E1 | ELEASMB5506 | CURTIS/AAM,TILT/RECLINE/COMBINED LEGS,SYNC.RECLINE W/ IND. CONTROLLED COMBINED LEGS,W/PRESSURE SWITCH,(CONFIG. #30) | 1 |
| F1 | ELEASMB5827 | CURTIS/AAM,TILT/RECLINE/COMBINED LEGS,SYNC. RECLINE W/ IND. CONTROLLED COMBINED LEGS,R4000/Q614,W/PRESSURE SWITCH,(CONFIG. #30) | 1 |
| G1 | ELEASMB5606 | CURTIS/AAM,TILT/RECLINE/AFP,SYNC. RECLINE W/IND.CONTROLLED AFP,(CONFIG. #31) | 1 |
| H1 | ELEASMB7110 | CURTIS/AAM,TILT/RECLINE,W/O PRESSURE SWITCH,(CONFIG. #28) | 1 |
| I1 | ELEASMB7114 | CURTIS/AAM,TILT/RECLINE,R4000/Q614,(CONFIG. #28) | 1 |
| J1 | ELEASMB7111 | CURTIS/AAM,TILT/RECLINE/IND. LEGS,SYNC. RECLINE W/IND.CONTROLLED IND. LEGS,W/O PRESSURE SWITCH,(CONFIG. #29) | 1 |
| K1 | ELEASMB7115 | CURTIS/AAM,TILT/RECLINE/IND. LEGS,SYNC. RECLINE W/ IND.CONTROLLED IND. LEGS,R4000/Q614,(CONFIG. #29) | 1 |
| L1 | ELEASMB7112 | CURTIS/AAM,TILT/RECLINE/COMBINED LEGS,SYNC. RECLINE W/IND. CONTROLLED COMBINED LEGS,W/O PRESSURE SWITCH,(CONFIG. #30) | 1 |
| M1 | ELEASMB7116 | CURTIS/AAM,TILT/RECLINE/COMBINED LEGS,SYNC.RECLINE W/IND. CONTROLLED COMBINED LEGS,R4000/Q614,(CONFIG. #30) | 1 |
| N1 | ELEASMB7113 | CURTIS/AAM,TILT/RECLINE/AFP,SYNC. RECLINE W/ IND.CONTROLLED AFP,W/O PRESSURE SWITCH,(CONFIG. #31) | 1 |
| O1 | ELE121672 | CURTIS/AAM,TILT/RECLINE/AFP,SYNCH. RECLINE W/IND.CONTROLLED AFP,W/ATTENDANT CONTROL,45°,(CONFIG. #31) | 1 |
| P1 | ELEASMB5504 | CURTIS/AAM,TILT/RECLINE/ELEVATE,(CONFIG. #34) | 1 |
| Q1 | ELEASMB5507 | CURTIS/AAM,TILT/RECLINE/ELEVATE/IND. LEGS,SYNC. RECLINE W/IND. CONTROLLED IND. LEGS,(CONFIG. #35) | 1 |
| R1 | ELEASMB5508 | CURTIS/AAM,TILT/RECLINE/ELEVATE/COMBINED LEGS,SYNC.RECLINE W/IND. CONTROLLED COMBINED LEGS,(CONFIG. #36) | 1 |
| S1 | ELEASMB5607 | CURTIS/AAM,TILT/RECLINE/ELEVATE/AFP,SYNC. RECLINE W/ IND.CONTROLLED AFP,(CONFIG. #37) | 1 |
| a/h | ELEASMB5636 | AAM,TILT & RECLINE,(CONFIG.#28) | 1 |
| b/i | ELEASMB5822 | AAM,TILT/RECLINE,R4000,(CONFIG. #28) | 1 |
| c/j | ELEASMB5637 | AAM,TILT & RECLINE W/INDEPENDENT LEGS,(CONFIG.#29) | 1 |
| d/k | ELEASMB5823 | AAM,TILT/RECLINE/INDEPENDENT LEGS,R4000,(CONFIG. #29) | 1 |
| e/l | ELEASMB5638 | AAM,TILT & RECLINE W/COMBINED LEGS,(CONFIG.#30) | 1 |
| f/m | ELEASMB5824 | AAM,TILT/RECLINE/COMBINED LEGS,R4000,(CONFIG. #30) | 1 |
| g/n | ELEASMB5639 | AAM,TILT & RECLINE W/AFP,(CONFIG.#31) | 1 |
| o | ELE121673 | AAM,TILT/RECLINE/AFP,45°,(CONFIG. #31) | 1 |
| p | ELEASMB5640 | AAM, TILT/RECLINE/ELEVATE (CONFIG. #34) | 1 |
| q | ELEASMB5641 | AAM, TILT/RECLINE/ELEVATE, INDEPENDENT LEGS (CONFIG. #35) | 1 |
| r | ELEASMB5642 | AAM,LIFT,TILT, & RECLINE W/COMBINED LEGS,(CONFIG.#36) | 1 |
| s | ELEASMB5643 | AAM,LIFT,TILT, & RECLINE W/AFP,(CONFIG.#37) | 1 |



The Run Plug is not necessary for modules manufactured after June 7, 2012.

Actuator Module Replacement

Modules shown here are **ONLY** compatible with units manufactured **AFTER** January 2, 2012.

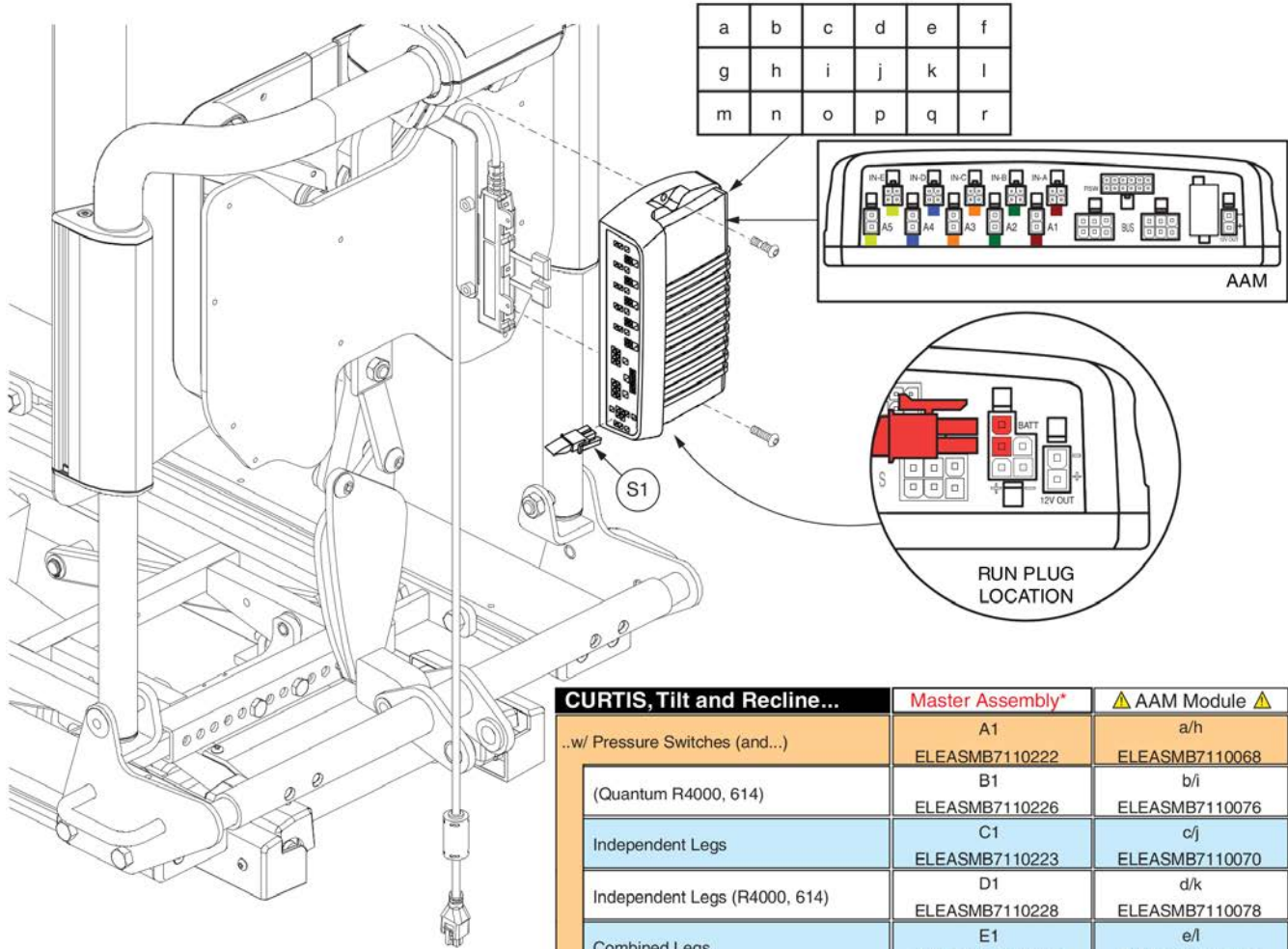
*Master assemblies contain harnesses and hardware components not shown. Reference component pages for illustrations and parts lists with the Master Assembly part number in the table.

Lower case letters designate AAM modules in assemblies with the matching upper case letter.

| CURTIS, Tilt and Recline... | Master Assembly* | AAM Module |
|------------------------------------|-------------------|--------------------|
| ..w/ Pressure Switches (and...) | A1 ELEASMB5503 | a/h ELEASMB5636 |
| (Quantum R4000, 614) | B1 ELEASMB5825 | b/i ELEASMB5822 |
| Independent Legs | C1 ELEASMB5505 | c/j ELEASMB5637 |
| Independent Legs (R4000, 614) | D1 ELEASMB5826 | d/k ELEASMB5823 |
| Combined Legs | E1 ELEASMB5506 | e/l ELEASMB5638 |
| Combined Legs (R4000, 614) | F1 ELEASMB5827 | f/m ELEASMB5824 |
| Articulating Foot Platform | G1 ELEASMB5606 | g/n ELEASMB5639 |
| ..w/ No Pressure Switches (and...) | H1 ELEASMB7110 | a/h ELEASMB5636 |
| (Quantum R4000, 614) | I1 ELEASMB7114 | b/i ELEASMB5822 |
| Independent Legs | J1 ELEASMB7111 | c/j ELEASMB5637 |
| Independent Legs (R4000, 614) | K1 ELEASMB7115 | d/k ELEASMB5823 |
| Combined Legs | L1 ELEASMB7112 | e/l ELEASMB5638 |
| Combined Legs (R4000, 614) | M1 ELEASMB7116 | f/m ELEASMB5824 |
| Articulating Foot Platform | N1 ELEASMB7113 | g/n ELEASMB5639 |
| Articulating Foot Platform, R44 | O1 ELE121672 | o ELE121673 |
| ..w/ Elevating Seat (and...) | P1 ELEASMB5504 | p ELEASMB5640 |
| Independent Legs | Q1 ELEASMB5507 | q ELEASMB5641 |
| Combined Legs | R1 ELEASMB5508 | r ELEASMB5642 |
| Articulating Foot Platform | S1 ELEASMB5607 | s ELEASMB5643 |
| | Master Assembly* | AAM Module |

| Item | Part No. | Name | Qty |
|------|-------------|---|-----|
| T1 | DWR1361H030 | ELECTRONIC,HARNES, RUN PLUG, MALE, MERCURY SWITCH, SWITCH-IT CONTROLLER, H-1361-030 | 1 |

3.2. Curtis thru AAM Tilt & Recline Assy's



Actuator Module Replacement

Modules shown here are **ONLY** compatible with units manufactured **AFTER** January 2, 2012.

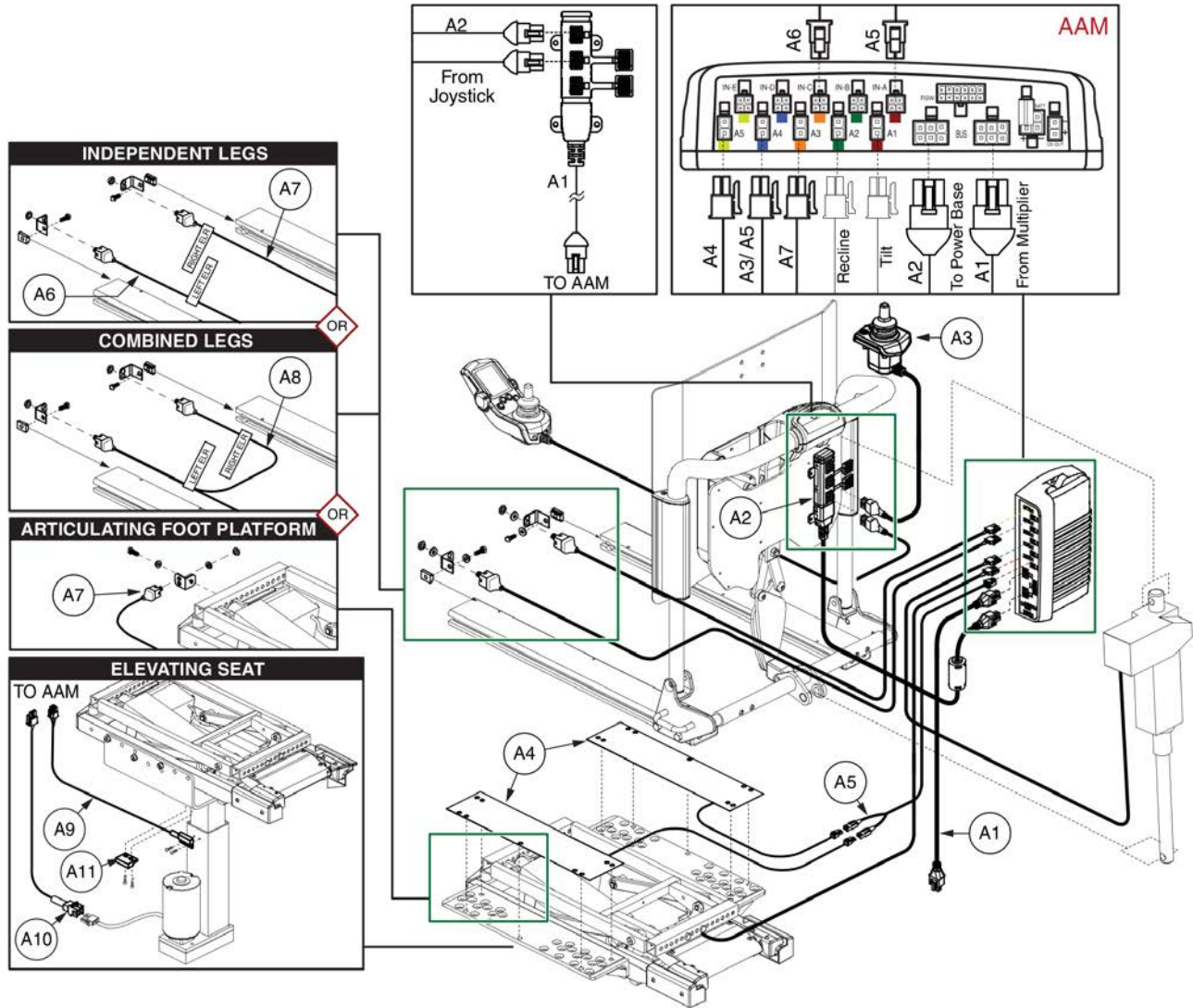
*Master assemblies contain harnesses and hardware components not shown. Reference component pages for illustrations and parts lists with the Master Assembly part number in the table.

Lower case letters designate AAM modules in assemblies with the matching upper case letter.

| CURTIS, Tilt and Recline... | Master Assembly* | AAM Module |
|------------------------------------|------------------|----------------|
| ..w/ Pressure Switches (and...) | A1 | a/h |
| (Quantum R4000, 614) | ELEASMB7110222 | ELEASMB7110068 |
| Independent Legs | B1 | b/i |
| (Quantum R4000, 614) | ELEASMB7110226 | ELEASMB7110076 |
| Independent Legs | C1 | c/j |
| (Quantum R4000, 614) | ELEASMB7110223 | ELEASMB7110070 |
| Independent Legs | D1 | d/k |
| (Quantum R4000, 614) | ELEASMB7110228 | ELEASMB7110078 |
| Combined Legs | E1 | e/l |
| (Quantum R4000, 614) | ELEASMB7110224 | ELEASMB7110072 |
| Combined Legs | F1 | f/m |
| (Quantum R4000, 614) | ELEASMB7110230 | ELEASMB7110080 |
| Articulating Foot Platform | G1 | g/n |
| (Quantum R4000, 614) | ELEASMB7110225 | ELEASMB7110074 |
| ..w/ No Pressure Switches (and...) | H1 | a/h |
| (Quantum R4000, 614) | ELEASMB7110232 | ELEASMB7110068 |
| Independent Legs | I1 | b/i |
| (Quantum R4000, 614) | ELEASMB7110227 | ELEASMB7110076 |
| Independent Legs | J1 | c/j |
| (Quantum R4000, 614) | ELEASMB7110233 | ELEASMB7110070 |
| Independent Legs | K1 | d/k |
| (Quantum R4000, 614) | ELEASMB7110229 | ELEASMB7110078 |
| Combined Legs | L1 | e/l |
| (Quantum R4000, 614) | ELEASMB7110234 | ELEASMB7110072 |
| Combined Legs | M1 | f/m |
| (Quantum R4000, 614) | ELEASMB7110231 | ELEASMB7110080 |
| Articulating Foot Platform | N1 | g/n |
| (Quantum R4000, 614) | ELEASMB7110235 | ELEASMB7110074 |
| ..w/ Elevating Seat (and...) | O1 | o |
| (Quantum R4000, 614) | ELEASMB7110250 | ELEASMB7110082 |
| Independent Legs | P1 | p |
| (Quantum R4000, 614) | ELEASMB7110251 | ELEASMB7110084 |
| Combined Legs | Q1 | q |
| (Quantum R4000, 614) | ELEASMB7110252 | ELEASMB7110086 |
| Articulating Foot Platform | R1 | r |
| (Quantum R4000, 614) | ELEASMB7110253 | ELEASMB7110088 |
| | Master Assembly* | AAM Module |

| Item | Part No. | Name | Qty |
|------|----------------|---|-----|
| A1 | ELEASMB7110222 | CURTIS/AAM(FW 1.45),TILT/RECLINE,W/PRESSURE SWITCH,(CONFIG. #28) | 1 |
| B1 | ELEASMB7110226 | CURTIS/AAM(FW 1.45),TILT/RECLINE,R4000/Q614,W/PRESSURE SWITCH,(CONFIG. #28) | 1 |
| C1 | ELEASMB7110223 | CURTIS/AAM(FW 1.45),TILT/RECLINE/IND. LEGS,SYNC. RECLINE W/ IND. CONTROLLED IND. LEGS,W/PRESSURE SWITCH,(CONFIG. #29) | 1 |
| D1 | ELEASMB7110228 | CURTIS/AAM(FW 1.45),TILT/RECLINE/IND. LEGS,SYNC. RECLINE W/IND. CONTROLLED IND. LEGS,R4000/Q614,W/ PRESSURE SWITCH,(CONFIG. #29) | 1 |
| E1 | ELEASMB7110224 | CURTIS/AAM(FW 1.45),TILT/RECLINE/COMBINED LEGS,SYNC.RECLINE W/ IND. CONTROLLED COMBINED LEGS,W/PRESSURE SWITCH,(CONFIG. #30) | 1 |
| F1 | ELEASMB7110230 | CURTIS/AAM(FW 1.45),TILT/RECLINE/COMBINED LEGS,SYNC.RECLINE W/ IND. CONTROLLED COMBINED LEGS,R4000/Q614,W/PRESSURE SWITCH,(CONFIG. #30) | 1 |
| G1 | ELEASMB7110225 | CURTIS/AAM(FW 1.45),TILT/RECLINE/AFP,SYNC. RECLINE W/IND.CONTROLLED AFP,(CONFIG. #31) | 1 |
| H1 | ELEASMB7110232 | CURTIS/AAM(FW 1.45),TILT/RECLINE,W/O PRESSURE SWITCH,(CONFIG. #28) | 1 |
| I1 | ELEASMB7110227 | CURTIS/AAM(FW 1.45),TILT/RECLINE,R4000/Q614,(CONFIG. #28) | 1 |
| J1 | ELEASMB7110233 | CURTIS/AAM(FW 1.45),TILT/RECLINE/IND. LEGS,SYNC. RECLINE W/IND. CONTROLLED IND. LEGS,W/O PRESSURE SWITCH,(CONFIG.#29) | 1 |
| K1 | ELEASMB7110229 | CURTIS/AAM(FW 1.45),TILT/RECLINE/IND. LEGS,SYNC. RECLINE W/ IND. CONTROLLED IND. LEGS,R4000/Q614,(CONFIG. #29) | 1 |
| L1 | ELEASMB7110234 | CURTIS/AAM(FW 1.45),TILT/RECLINE/COMBINED LEGS,SYNC.RECLINE W/ IND. CONTROLLED COMBINED LEGS,W/O PRESSURE SWITCH,(CONFIG. #30) | 1 |
| M1 | ELEASMB7110231 | CURTIS/AAM(FW 1.45),TILT/RECLINE/COMBINED LEGS,SYNC.RECLINE W/ IND. CONTROLLED COMBINED LEGS,R4000/Q614,(CONFIG. #30) | 1 |
| N1 | ELEASMB7110235 | CURTIS/AAM(FW 1.45),TILT/RECLINE/AFP,SYNC. RECLINE W/ IND.CONTROLLED AFP,W/O PRESSURE SWITCH,(CONFIG. #31) | 1 |
| O1 | ELEASMB7110250 | CURTIS/AAM(FW 1.45),TILT/RECLINE/ELEVATE,(CONFIG. #34) | 1 |
| P1 | ELEASMB7110251 | CURTIS/AAM(FW 1.45),TILT/RECLINE/ELEVATE/IND. LEGS, SYNC.RECLINE W/IND. CONTROLLED IND. LEGS,(CONFIG. #35) | 1 |
| Q1 | ELEASMB7110252 | CURTIS/AAM(FW 1.45),TILT/RECLINE/ELEVATE/COMBINED LEGS,SYNC. RECLINE W/IND. CONTROLLED COMBINED LEGS,(CONFIG. #36) | 1 |
| R1 | ELEASMB7110253 | CURTIS/AAM(FW 1.45),TILT/RECLINE/ELEVATE/AFP,SYNC. RECLINE W/ IND. CONTROLLED AFP,(CONFIG. #37) | 1 |
| a/h | ELEASMB7110068 | AAM(FW 1.45),TILT/RECLINE,(CONFIG. #28) | 1 |
| b/i | ELEASMB7110076 | AAM(FW 1.45),TILT/RECLINE,R4000,(CONFIG. #28) | 1 |
| c/j | ELEASMB7110070 | AAM(FW 1.45),TILT/RECLINE/IND. LEGS,(CONFIG. #29) | 1 |
| d/k | ELEASMB7110078 | AAM(FW 1.45),TILT/RECLINE/IND. LEGS,R4000,(CONFIG. #29) | 1 |
| e/l | ELEASMB7110072 | AAM(FW 1.45),TILT/RECLINE/COMBINED LEGS,(CONFIG. #30) | 1 |
| f/m | ELEASMB7110080 | AAM(FW 1.45),TILT/RECLINE/COMBINED LEGS,R4000,(CONFIG. #30) | 1 |
| g/n | ELEASMB7110074 | AAM(FW 1.45),TILT/RECLINE/AFP,(CONFIG. #31) | 1 |
| o | ELEASMB7110082 | AAM(FW 1.45),TILT/RECLINE/ELEVATE,(CONFIG. #34) | 1 |
| p | ELEASMB7110084 | AAM(FW 1.45),TILT/RECLINE/ELEVATE/IND. LEGS,(CONFIG. #35) | 1 |
| q | ELEASMB7110086 | AAM(FW 1.45),TILT/RECLINE/ELEVATE/COMBINED LEGS,(CONFIG.#36) | 1 |
| r | ELEASMB7110088 | AAM(FW 1.45),TILT/RECLINE/ELEVATE/AFP,(CONFIG. #37) | 1 |
| S1 | DWR1361H030 | ELECTRONIC,HARNESS,RUN PLUG,MALE,MERCURY SWITCH,SWITCH-IT CONTROLLER,H-1361-030 | 1 |

3.2. Curtis thru AAM Tilt & Recline Assy's



| CURTIS, Tilt and Recline... | Master Assembly | | A1 | A2 | A3 | A4 | A5 | A6 | A7 | A8 | A9 | A10 | A11 |
|-------------------------------|-----------------|--------------|----|----|----|----|----|----|----|----|----|-----|-----|
| | Before 1/2/12 | After 1/2/12 | | | | | | | | | | | |
| w/ Pressure Switches (and) | ELEASMB7110222 | ELEASMB5503 | 1 | 1 | 1 | 2 | 1 | | | | | | |
| Tilt & Recline Only* | ELEASMB7110226 | ELEASMB5825 | 1 | 1 | 1 | 2 | 1 | | | | | | |
| Independent Legs | ELEASMB7110223 | ELEASMB5505 | 1 | 1 | 1 | 2 | 1 | 1 | 1 | | | | |
| Independent Legs* | ELEASMB7110228 | ELEASMB5826 | 1 | 1 | 1 | 2 | 1 | 1 | 1 | | | | |
| Combined Legs | ELEASMB7110224 | ELEASMB5506 | 1 | 1 | 1 | 2 | 1 | | | 1 | | | |
| Combined Legs* | ELEASMB7110230 | ELEASMB5827 | 1 | 1 | 1 | 2 | 1 | | | 1 | | | |
| AFP | ELEASMB7110225 | ELEASMB5606 | 1 | 1 | 1 | 2 | 1 | | 1 | | | | |
| w/ No Pressure Switches (and) | ELEASMB7110232 | ELEASMB7110 | 1 | 1 | 1 | | | | | | | | |
| (Tilt and Recline Only*) | ELEASMB7110227 | ELEASMB7114 | 1 | 1 | 1 | | | | | | | | |
| Independent Legs | ELEASMB7110223 | ELEASMB7111 | 1 | 1 | 1 | | | 1 | 1 | | | | |
| Independent Legs* | ELEASMB7110229 | ELEASMB7115 | 1 | 1 | 1 | | | 1 | 1 | | | | |
| Combined Legs | ELEASMB7110234 | ELEASMB7112 | 1 | 1 | 1 | | | | | 1 | | | |
| Combined Legs* | ELEASMB7110231 | ELEASMB7116 | 1 | 1 | 1 | | | | | 1 | | | |
| AFP | ELEASMB7110235 | ELEASMB7113 | 1 | 1 | 1 | | | | 1 | | | | |
| AFP, R44 | N/A | ELE121672 | 1 | 1 | 1 | | | | 1 | | | | |
| w/ Elevating Seat (and) | ELEASMB7110250 | ELEASMB5504 | 1 | 1 | 1 | | | | | | 1 | 1 | 1 |
| Independent Legs | ELEASMB7110251 | ELEASMB5507 | 1 | 1 | 1 | | | 1 | 1 | | 1 | 1 | 1 |
| Combined Legs | ELEASMB7110252 | ELEASMB5508 | 1 | 1 | 1 | | | | | 1 | 1 | 1 | 1 |
| AFP | ELEASMB7110253 | ELEASMB5607 | 1 | 1 | 1 | | | | 1 | | 1 | 1 | 1 |

*Specific to Quantum R4000 and Quantum 614.

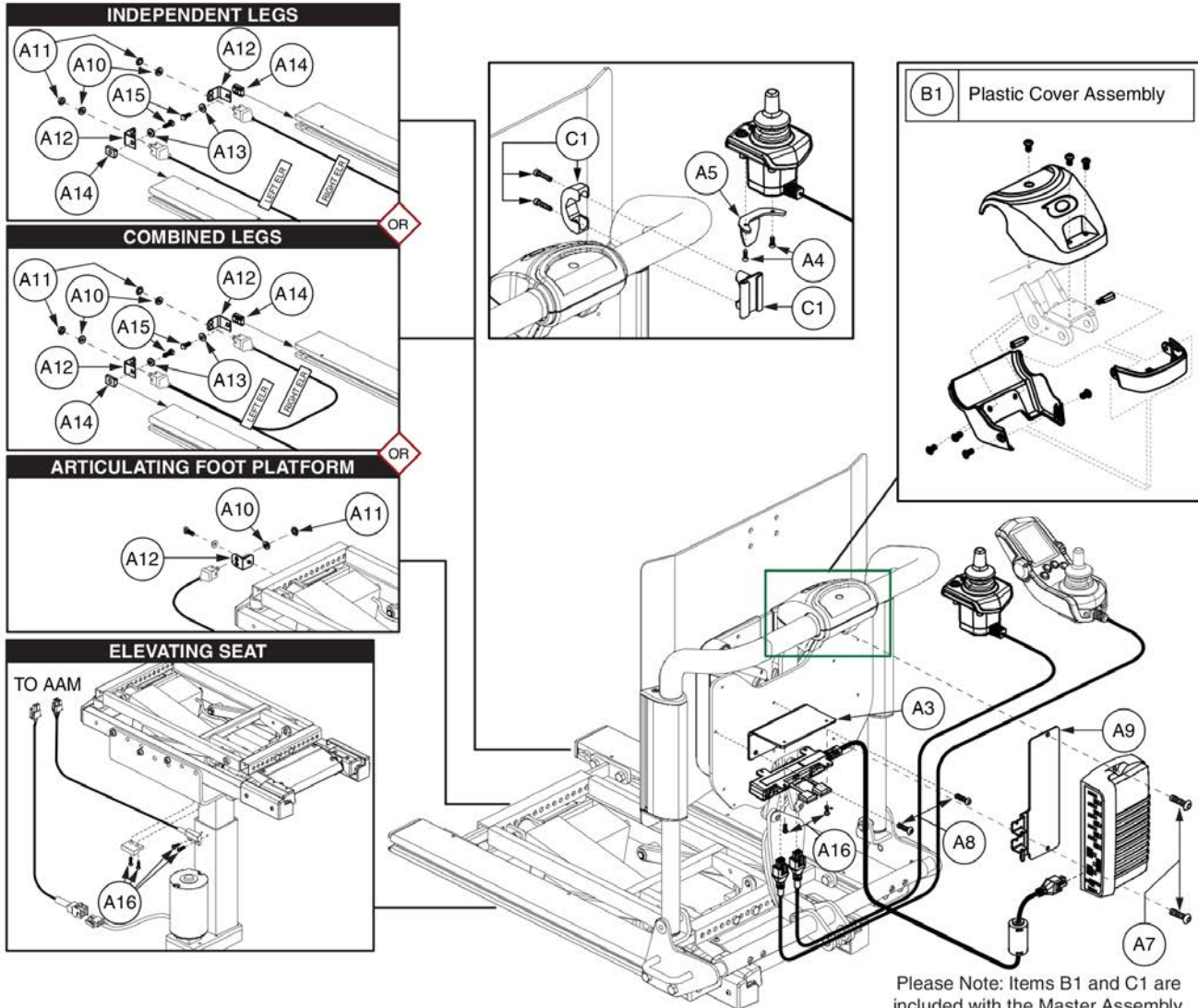
The numbers within the table represent the quantity of each harness for each configuration.

TB2 Tilt and Recline, AAM, Harnesses



| Item | Part No. | Name | Qty |
|------|-------------|---|-----|
| A1 | DWR1111H047 | HARNESS,BUS CABLE,1.0 METER,FEMALE/FEMALE,H-1111-047,(CURTIS:17881302) | 1 |
| A2 | DWR1111H053 | HARNESS,MULTIPLIER BOX,0.3 METER,H-1111-053,(CURTIS: 17869700) | 1 |
| A3 | CTL137822 | CONTROLLER,ATTENDANT CONTROL MODULE 2.0,Q-LOGIC 2 | 1 |
| A4 | DWR1265H001 | ELECTRONIC,SWITCH,PRESSURE,ANTI-PINCH,TB2 TILT | 2 |
| A5 | DWR1265H004 | HARNESS,"Y",ANTI-PINCH SWITCH,TB2 TILT | 1 |
| A6 | DWR1265H006 | ELECTRONIC,HARNESS,INDEPENDENT ELR,CURTIS,TRU-BALANCE TILT 2,LEFT,H-1265-006 | 1 |
| A7 | DWR1265H007 | ELECTRONIC,HARNESS,INDEPENDENT ELR,CURTIS,TRU-BALANCE TILT 2,RIGHT,H-1265-007 | 1 |
| A8 | DWR1265H005 | ELECTRONIC,HARNESS,COMBINED ELR,CURTIS,TRU-BALANCE TILT 2,H-1265-005 | 1 |
| A9 | DWR1265H016 | ELECTRONIC,HARNESS,POWER SEAT INHIBIT,CURTIS,TRUBALANCE TILT 2,H-1265-016 | 1 |
| A10 | DWR1265H017 | ELECTRONIC,HARNESS,POWER SEAT,TRU-BALANCE TILT 2,H-1265-017 | 1 |
| A11 | SWTMAGN1001 | ELECTRONIC,SWITCH,HERMETIC,PRX +8100 | 1 |

3.2. Curtis thru AAM Tilt & Recline Assy's



| CURTIS, Tilt & Recline... | Master Assembly | | A1 | A2 | A3 | A4 | A5 | A6 | A7 | A8 | A9 | A10 | A11 | A12 | A13 | A14 | A15 | A16 | B1 | C1 |
|-----------------------------|-----------------|--------------|----|----|----|----|----|----|----|----|----|-----|-----|-----|-----|-----|-----|-----|----|----|
| | Before 1/2/12 | After 1/2/12 | | | | | | | | | | | | | | | | | | |
| w/ Pressure Switches (&) | ELEASMB7110222 | ELEASMB5503 | 2 | 10 | 1 | 2 | 1 | 4 | 2 | 2 | 1 | | | | | | | 2 | 1 | 1 |
| Tilt and Recline Only* | ELEASMB7110226 | ELEASMB5825 | 2 | 10 | 1 | 2 | 1 | 4 | 2 | 2 | 1 | | | | | | | 2 | 1 | 1 |
| Independent Legs | ELEASMB7110223 | ELEASMB5505 | 2 | 10 | 1 | 2 | 1 | 4 | 2 | 2 | 1 | 2 | 2 | 2 | 2 | 2 | 2 | 2 | 1 | 1 |
| Independent Legs* | ELEASMB7110228 | ELEASMB5826 | 2 | 10 | 1 | 2 | 1 | 4 | 2 | 2 | 1 | 2 | 2 | 2 | 2 | 2 | 2 | 2 | 1 | 1 |
| Combined Legs | ELEASMB7110224 | ELEASMB5506 | 2 | 10 | 1 | 2 | 1 | 4 | 2 | 2 | 1 | 2 | 2 | 2 | 2 | 2 | 2 | 2 | 1 | 1 |
| Combined Legs* | ELEASMB7110230 | ELEASMB5827 | 2 | 10 | 1 | 2 | 1 | 4 | 2 | 2 | 1 | 2 | 2 | 2 | 2 | 2 | 2 | 2 | 1 | 1 |
| AFP | ELEASMB7110225 | ELEASMB5606 | 2 | 10 | 1 | 2 | 1 | 4 | 2 | 2 | 1 | 1 | 1 | 1 | | | | 2 | 1 | 1 |
| w/ No Pressure Switches (&) | ELEASMB7110232 | ELEASMB7110 | 2 | 10 | 1 | 2 | 1 | 4 | 2 | 2 | 1 | | | | | | | 2 | 1 | 1 |
| Tilt and Recline Only* | ELEASMB7110227 | ELEASMB7114 | 2 | 10 | 1 | 2 | 1 | 4 | 2 | 2 | 1 | | | | | | | 2 | 1 | 1 |
| Independent Legs | ELEASMB7110223 | ELEASMB7111 | 2 | 10 | 1 | 2 | 1 | 4 | 2 | 2 | 1 | 2 | 2 | 2 | 2 | 2 | 2 | 2 | 1 | 1 |
| Independent Legs* | ELEASMB7110229 | ELEASMB7115 | 2 | 10 | 1 | 2 | 1 | 4 | 2 | 2 | 1 | 2 | 2 | 2 | 2 | 2 | 2 | 2 | 1 | 1 |
| Combined Legs | ELEASMB7110234 | ELEASMB7112 | 2 | 10 | 1 | 2 | 1 | 4 | 2 | 2 | 1 | 2 | 2 | 2 | 2 | 2 | 2 | 2 | 1 | 1 |
| Combined Legs* | ELEASMB7110231 | ELEASMB7116 | 2 | 10 | 1 | 2 | 1 | 4 | 2 | 2 | 1 | 2 | 2 | 2 | 2 | 2 | 2 | 2 | 1 | 1 |
| AFP | ELEASMB7110235 | ELEASMB7113 | 2 | 10 | 1 | 2 | 1 | 4 | 2 | 2 | 1 | 1 | 1 | 1 | | | | 2 | 1 | 1 |
| AFP, R44 | N/A | ELE121672 | 2 | 10 | 1 | 2 | 1 | 4 | 2 | 2 | 1 | 1 | 1 | 1 | | | | 2 | 1 | 1 |
| w/ Elevating Seat (&) | ELEASMB7110250 | ELEASMB5504 | 2 | 10 | 1 | 2 | 1 | 4 | 2 | 2 | 1 | | | | | | | 6 | 1 | 1 |
| Independent Legs | ELEASMB7110251 | ELEASMB5507 | 2 | 10 | 1 | 2 | 1 | 4 | 2 | 2 | 1 | 2 | 2 | 2 | 2 | 2 | 2 | 6 | 1 | 1 |
| Combined Legs | ELEASMB7110252 | ELEASMB5508 | 2 | 10 | 1 | 2 | 1 | 4 | 2 | 2 | 1 | 2 | 2 | 2 | 2 | 2 | 2 | 6 | 1 | 1 |
| AFP | ELEASMB7110253 | ELEASMB5607 | 2 | 10 | 1 | 2 | 1 | 4 | 2 | 2 | 1 | 1 | 1 | 1 | | | | 6 | 1 | 1 |

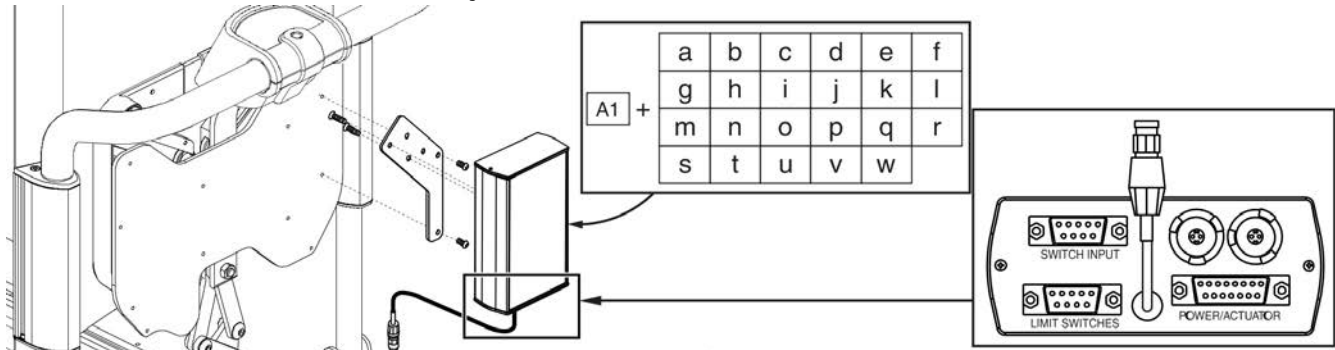
*Specific to Quantum R4000 and Quantum 614.

A1 A2 A3 A4 A5 A6 A7 A8 A9 A10 A11 A12 A13 A14 A15 A16 B1 C1

The numbers within the table represent the quantity of each harness for each configuration.

| Item | Part No. | Name | Qty |
|------|--------------|---|-----|
| A1 | | ELECTRONIC,WRAP,3/8"D,1 FT, SPIRAL | 2 |
| A2 | PLSTIE1004 | TIE WRAP,BLACK,8" | 10 |
| A3 | BRK8110019 | MULTIPLIER L-BRACKET,TRU-BALANCE 2 POWER RECLINE | 1 |
| A4 | SCRPPH1165 | SCREW,PPH,BLACK ZINC,M4-.7 X 8MM,P-TYPE | 2 |
| A5 | DWR1010D298 | MOUNTING BRACKET,ATTENDANT BRACKET,CURTIS STAND ALONE JOYSTICK,D-1010-298 | 1 |
| A6 | | TIE WRAP,BLACK,18 1/2" | 4 |
| A7 | SCRPPH1080 | SCREW,PPH,BLACK ZINC,8-32 X 0.75" | 2 |
| A8 | SCRPPH1379 | SCREW,PPH,BLACK ZINC,8-32 X 0.375" | 2 |
| A9 | MEC138556 | BRACKET,STRAIN RELIEF,AAM | 1 |
| A10 | WASSTND1155 | WASHER,FLAT,STAINLESS STEEL,.375"ID X .615"OD X .025"TH | 2 |
| A11 | NUTJAM1032 | NUT,JAM,THIN,STAINLESS STEEL,3/8-32 | 2 |
| A12 | DWR1303B026 | ELECTRICAL CONNECTION BRACKET,ARTICULATING LEGREST | 2 |
| A13 | WASSTND1002 | WASHER,FLAT,BLACK ZINC,0.3125" ID X 0.6875" OD X 0.0625" TH | 2 |
| A14 | DWR1360A004 | T-NUT,5/16-18 X 0.875",A-1360-004 | 2 |
| A15 | SCRHHCS1256 | SCREW,HHCS,BLACK ZINC,5/16-18 X 0.625",GR 8,W/PATCH | 2 |
| A16 | SCRPPH1031 | SCREW, PPH,BLACK ZINC,4-40 X 3/8" | 6 |
| B1 | PLSASMB2069 | PLASTIC,ASSY,CURTIS/AAM,TRU-BALANCE 2 POWER RECLINE | 1 |
| C1 | FRMASMB10455 | MOUNTING BRACKET,ASSY,ATTENDANT CONTROL,C-1010-285 | 1 |

3.3. Remote Plus Switch-it Tilt & Recline Assy's



****The Switch-It Box requires a selection in the Program column for desired power functions.**

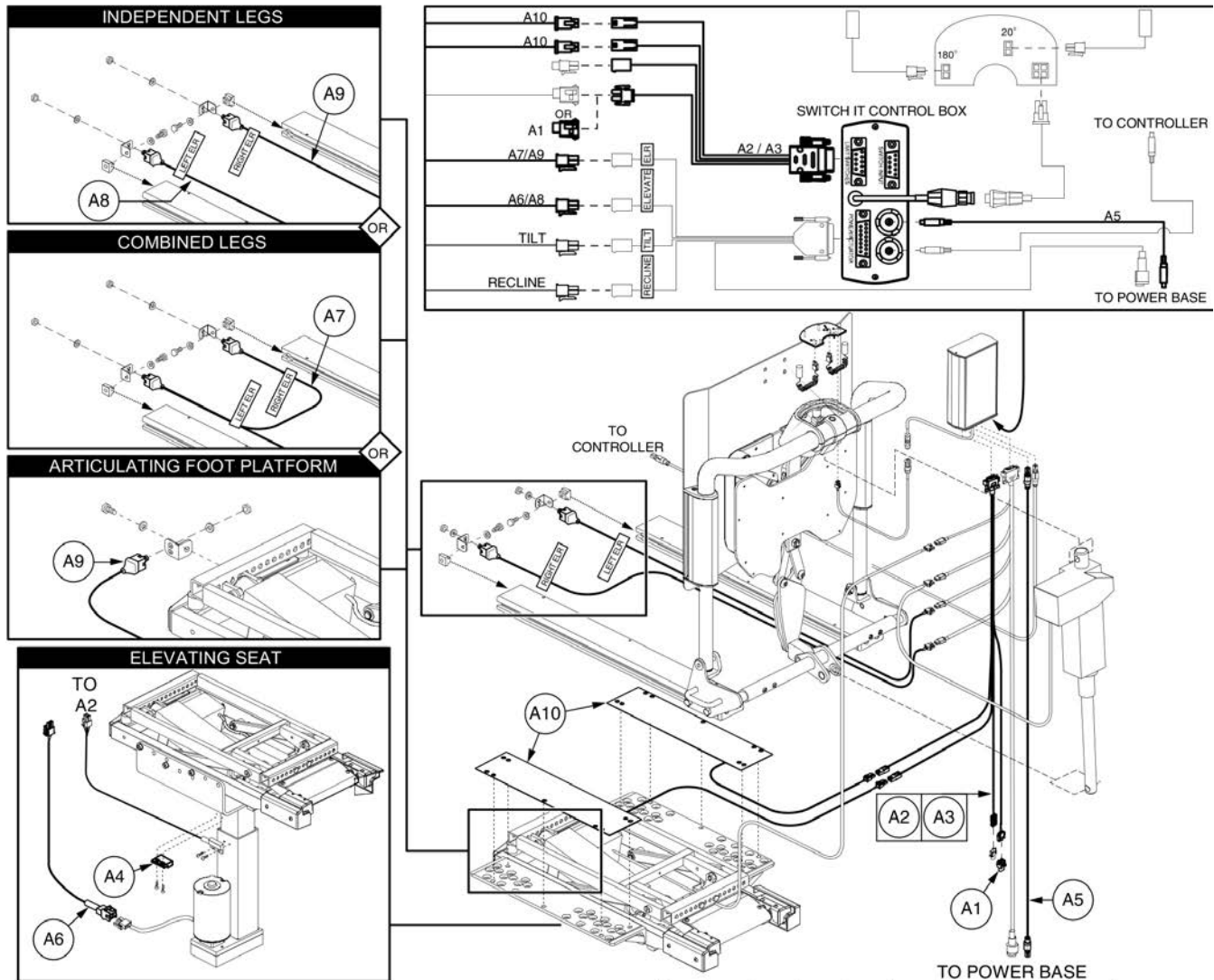
| REMOTE PLUS - TILT AND RECLINE... | | | | | |
|--------------------------------------|--------------------------------------|-------------------|-------------------------|------------------------|--------------------|
| Independent Function | Synchronized Function | *Master Assembly* | Switch-It Box** | Program | Dip Switch Setting |
| ... w/ Pressure Switches (and...) | | ELEASMB5310 | A1 (order a program) | a/h DWR1367H013 | |
| Recline | w/ Tilt & Recline | ELEASMB5315 | A1 (order a program) | b/i DWR1367H022 | |
| Independent Legs | (no sync. function) | ELEASMB5313 | A1 (order a program) | c/j DWR1367H003 | |
| Combined Legs | (no sync. function) | ELEASMB5314 | A1 (order a program) | d/f/k/m DWR1367H014 | |
| Tilt, Combined Legs.. | Recline & Combined Legs | ELEASMB5319 | A1 (order a program) | e/g/l/n DWR1367H028 | |
| Articulating Foot Platform | (no sync. function) | ELEASMB5534 | A1 (order a program) | d/f/k/m DWR1367H014 | |
| Tilt, Articulating Foot Platform.. | Recline & Articulating Foot Platform | ELEASMB5538 | A1 (order a program) | e/g/l/n DWR1367H028 | |
| ... w/ No Pressure Switches (and...) | | ELEASMB5384 | A1 (order a program) | a/h DWR1367H013 | |
| Recline | Tilt & Recline | ELEASMB5387 | A1 (order a program) | b/i DWR1367H022 | |
| Independent Legs | (no sync. function) | ELEASMB5385 | A1 (order a program) | c/j DWR1367H003 | |
| Combined Legs | (no sync. function) | ELEASMB5386 | A1 (order a program) | d/f/k/m DWR1367H014 | |
| Tilt, Combined Legs | Recline & Combined Legs | ELEASMB5388 | A1 (order a program) | e/g/l/n DWR1367H028 | |
| Articulating Foot Platform | (no sync. function) | ELEASMB7105 | A1 (order a program) | d/f/k/m DWR1367H014 | |
| Articulating Foot Platform | Tilt & Articulating Foot Platform | ELEASMB7106 | A1 (order a program) | e/g/l/n DWR1367H028 | |
| ... w/ Elevating Seat (and...) | | ELEASMB5311 | A1 (order a program) | o DWR1367H010 | |
| Combined Legs | (no sync. function) | ELEASMB5312 | A1 (order a program) | p/t DWR1367H002 | |
| Recline, Combined Legs | Tilt & Recline | ELEASMB5316 | A1 (order a program) | q/u DWR1367H025 | |
| Recline, Combined Legs | Tilt & Combined Legs | ELEASMB5317 | A1 (order a program) | r/v DWR1367H026 | |
| Tilt, Combined Legs | Recline & Combined Legs | ELEASMB5318 | A1 (order a program) | s/w DWR1367H027 | |
| Articulating Foot Platform | (no sync. function) | ELEASMB5533 | A1 (order a program) | p/t DWR1367H002 | |
| Recline, Articulating Foot Platform | Tilt & Recline | ELEASMB5535 | A1 (order a program) | q/u DWR1367H025 | |
| Recline, Articulating Foot Platform | Tilt & Articulating Foot Platform | ELEASMB5536 | A1 (order a program) | r/v DWR1367H026 | |
| Tilt, Articulating Foot Platform | Recline & Articulating Foot Platform | ELEASMB5537 | A1 (order a program) | s/w DWR1367H027 | |
| Independent Function | Synchronized Function | *Master Assembly* | Switch-It Box** | Program | Dip Switch Setting |

*Master assemblies contain harnesses and hardware components, which are not shown.
 Hardware components are not available separately; the master assembly must be ordered.
 Lower case letters designate Switch-It box programs for assemblies with the matching upper case letter.



| Item | Part No. | Name | Qty |
|---------|-------------|---|-----|
| A1 | | ELECTRONIC,CONTROL BOX,4 ACTUATOR | 1 |
| a/h | DWR1367H013 | DIP SWITCH CONFIG.,TILT/RECLINE | 1 |
| b/i | DWR1367H022 | DIP SWITCH CONFIG.,SYNCH. TILT & RECLINE,W/IND. RECLINE | 1 |
| c/j | DWR1367H003 | DIP SWITCH CONFIG.,TILT/RECLINE/IND. LEGS | 1 |
| d/f/k/m | DWR1367H014 | DIP SWITCH CONFIG.,TILT/RECLINE/COMBINED LEGS | 1 |
| e/g/l/n | DWR1367H028 | DIP SWITCH CONFIG.,SYNCH. RECLINE & COMBINED LEGS,W/ IND. TILT & COMBINED LEGS | 1 |
| o | DWR1367H010 | DIP SWITCH CONFIG.,TILT/RECLINE/ELEVATE | 1 |
| p/t | DWR1367H002 | DIP SWITCH CONFIG.,TILT/RECLINE/ELEVATE/COMB. LEGS | 1 |
| q/u | DWR1367H025 | DIP SWITCH CONFIG.,SYNCH. TILT & RECLINE,W/ IND. RECLINE,ELEVATE & COMBINED LEGS | 1 |
| r/v | DWR1367H026 | DIP SWITCH CONFIG.,SYNCH. TILT & COMBINED LEGS,W/IND. RECLINE,ELEVATE & COMBINED LEGS | 1 |
| s/w | DWR1367H027 | DIP SWITCH CONFIG.,SYNCH. RECLINE & COMBINED LEGS,W/IND. TILT,ELEVATE & COMBINED LEGS | 1 |

3.3. Remote Plus Switch-it Tilt & Recline Assy's



REMOTE PLUS - TILT AND RECLINE...

| Independent Function | Synchronized Function | |
|------------------------------------|-----------------------|-------------|
| ... w/ Pressure Switches and... | | |
| Recline | Tilt & Recline | ELEASMB5310 |
| Independent Legs | | ELEASMB5313 |
| Combined Legs | | ELEASMB5314 |
| Tilt, Combined Legs | Recline & CL | ELEASMB5319 |
| AFP | | ELEASMB5534 |
| Tilt, AFP | Recline & AFP | ELEASMB5538 |
| ... w/ No Pressure Switches and... | | |
| Recline | Tilt & Recline | ELEASMB5387 |
| Independent Legs | | ELEASMB5385 |
| Combined Legs | | ELEASMB5386 |
| Tilt, Combined Legs | Recline & CL | ELEASMB5388 |
| ... w/ Elevating Seat and... | | |
| Combined Legs | | ELEASMB5312 |
| Recline, CL | Tilt & Recline | ELEASMB5316 |
| Recline, CL | Tilt & Combined Legs | ELEASMB5317 |
| Tilt, Combined Legs | Recline, CL | ELEASMB5318 |
| AFP | | ELEASMB5533 |
| Recline, AFP | Tilt & Recline | ELEASMB5535 |
| Recline, AFP | Tilt & AFP | ELEASMB5536 |
| Tilt, AFP | Recline & AFP | ELEASMB5537 |

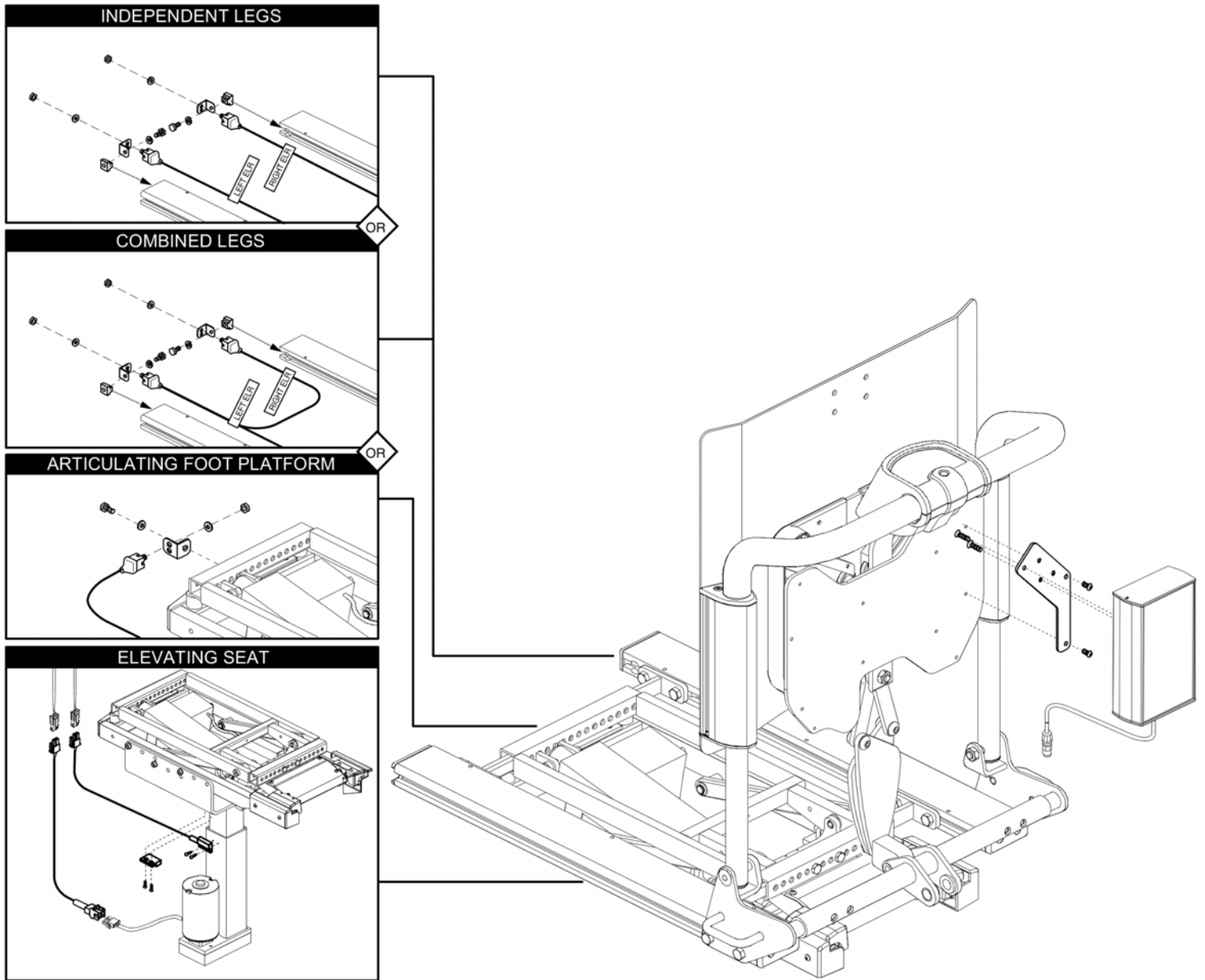
Note CL: Combined Legs, IL: Independent Legs
AFP: Articulating Foot Platform

| | A1 | A2 | A3 | A4 | A5 | A6 | A7 | A8 | A9 | A10 |
|------------------------------------|----|----|----|----|----|----|----|----|----|-----|
| ... w/ Pressure Switches and... | | | | | | | | | | |
| Recline | 1 | 1 | | | 1 | | | | | 2 |
| Independent Legs | 1 | | 1 | | 1 | | | 1 | 1 | 2 |
| Combined Legs | 1 | 1 | | | 1 | | 1 | | | 2 |
| Tilt, Combined Legs | 1 | 1 | | | 1 | | 1 | | | 2 |
| AFP | 1 | 1 | | | 1 | | | | 1 | 2 |
| Tilt, AFP | 1 | 1 | | | 1 | | | | 1 | 2 |
| ... w/ No Pressure Switches and... | | | | | | | | | | |
| Recline | 1 | 1 | | | 1 | | | | | |
| Independent Legs | 1 | | 1 | | 1 | | | 1 | 1 | |
| Combined Legs | 1 | 1 | | | 1 | | 1 | | | |
| Tilt, Combined Legs | 1 | 1 | | | 1 | | 1 | | | |
| ... w/ Elevating Seat and... | | | | | | | | | | |
| Combined Legs | | 1 | | 1 | 1 | 1 | | | | |
| Recline, CL | | 1 | | 1 | 1 | 1 | 1 | | | |
| Recline, CL | | 1 | | 1 | 1 | 1 | 1 | | | |
| Tilt, Combined Legs | | 1 | | 1 | 1 | 1 | 1 | | | |
| AFP | | 1 | | 1 | 1 | 1 | | | 1 | |
| Recline, AFP | | 1 | | 1 | 1 | 1 | | | 1 | |
| Recline, AFP | | 1 | | 1 | 1 | 1 | | | 1 | |
| Tilt, AFP | | 1 | | 1 | 1 | 1 | | | 1 | |
| Independent Function | A1 | A2 | A3 | A4 | A5 | A6 | A7 | A8 | A9 | A10 |

The numbers within the table represent the quantity of each harness for each configuration.

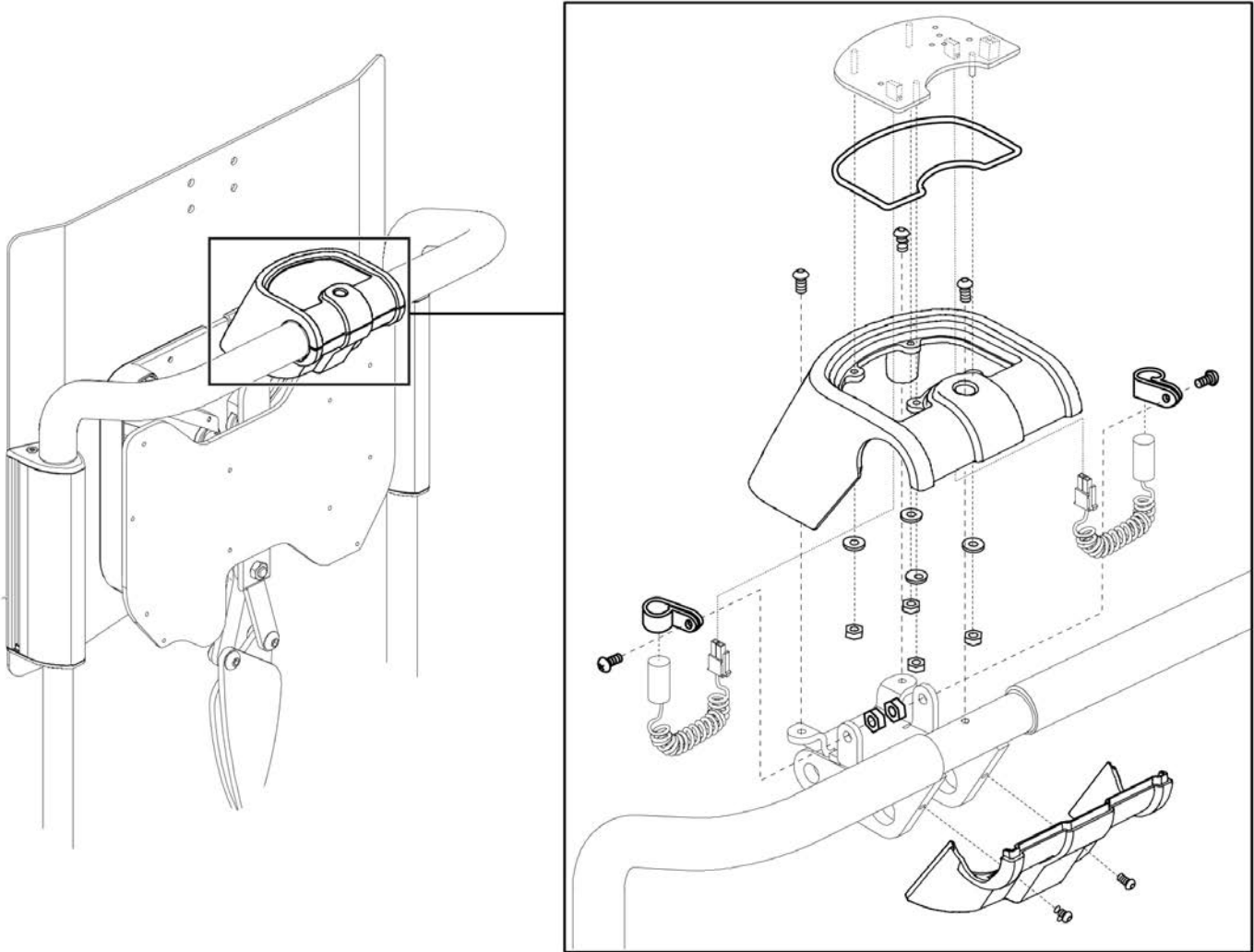
| Item | Part No. | Name | Qty |
|------|-------------|---|-----|
| A1 | | HARNESS,RUN PLUG,DYNAMIC,SENSOR | 1 |
| A2 | | HARNESS,POWER OPTIONS INHIBIT,TB2 TILT | 1 |
| A3 | | HARNESS,POWER OPTIONS INHIBIT,INDEPENDENT ELR,TB2 TILT | 1 |
| A4 | SWTMAGN1001 | ELECTRONIC,SWITCH,HERMETIC,PRX +8100 | 1 |
| A5 | | ELECTRONIC,HARNESS,1.16 LONG,REDEL CABLE, REMOTE PLUS,JOYSTICK TO TRAY,H-1010-049 | 1 |
| A6 | DWR1265H017 | ELECTRONIC,HARNESS,POWER SEAT,TRU-BALANCE TILT 2,H-1265-017 | 1 |
| A7 | DWR1265H005 | ELECTRONIC,HARNESS,COMBINED ELR,CURTIS,TRU-BALANCE TILT 2,H-1265-005 | 1 |
| A8 | DWR1265H006 | ELECTRONIC,HARNESS,INDEPENDENT ELR,CURTIS,TRU-BALANCE TILT 2,LEFT,H-1265-006 | 1 |
| A9 | DWR1265H007 | ELECTRONIC,HARNESS,INDEPENDENT ELR,CURTIS,TRU-BALANCE TILT 2,RIGHT,H-1265-007 | 1 |
| A10 | DWR1265H001 | ELECTRONIC,SWITCH,PRESSURE,ANTI-PINCH,TB2 TILT | 1 |

3.3. Remote Plus Switch-it Tilt & Recline Assy's



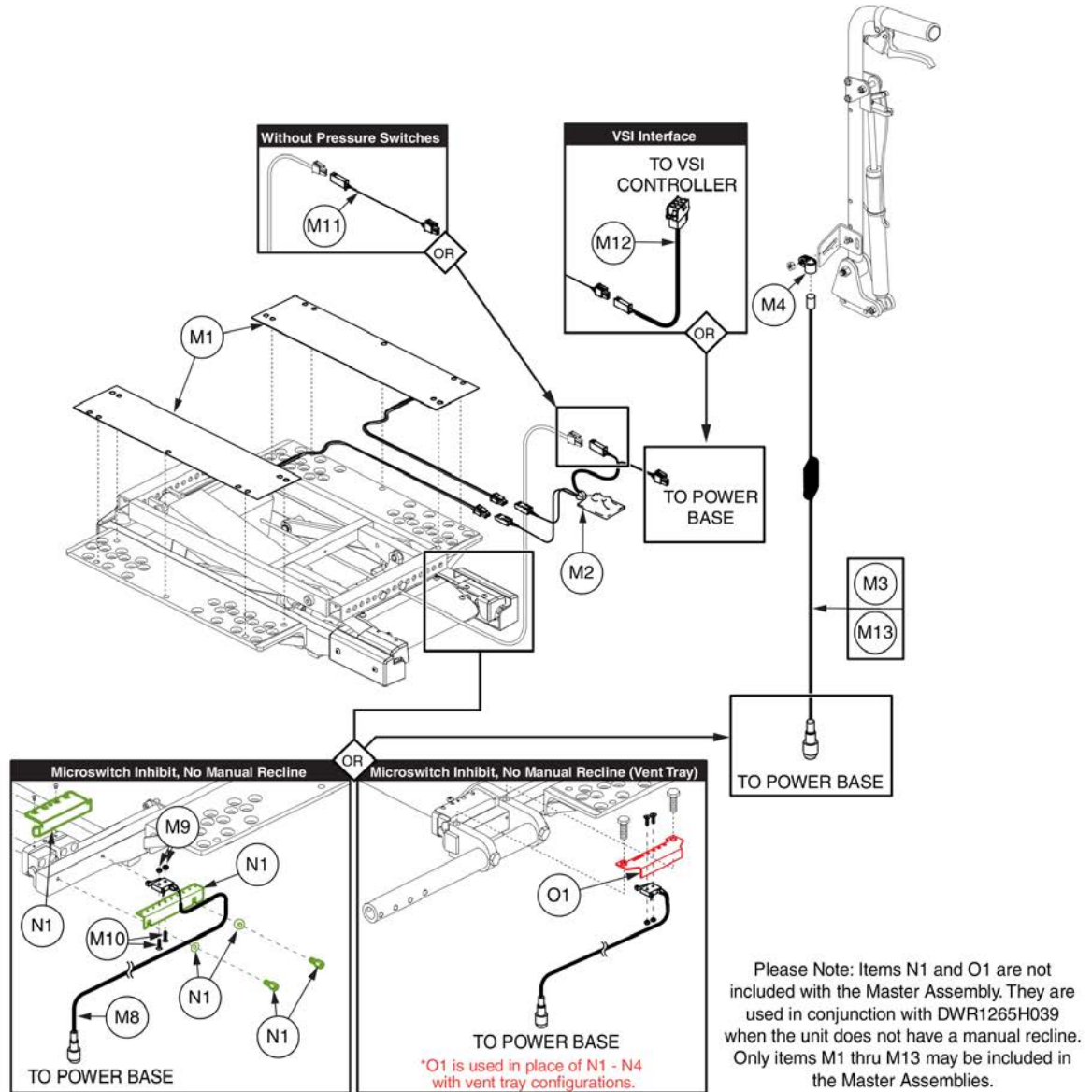
This page intentionally left blank

3.3. Remote Plus Switch-it Tilt & Recline Assy's



This page intentionally left blank

3.4. Dynamic Shark/ PG Drives VSI & VR2 Assy's



Master Assemblies are not pickable from table, please select from the parts list

| Shark and... | Master Assembly | M1 | M2 | M3 | M4 | M5 | M6 | M7 | M8 | M9 | M10 | M11 | M12 | M13 | *N1 | *O1 |
|---|------------------|----|----|----|----|----|----|----|----|----|-----|-----|-----|-----|-----|-----|
| ..with Pressure Switches | A1 ELEASMB6397 | 2 | 1 | | | | 4 | 1 | 1 | 2 | 2 | | | | 1 | 1 |
| ..No Pressure Switches | B1 ELEASMB7097 | | | | | | 4 | 1 | 1 | 2 | 2 | 1 | | | 1 | 1 |
| ..Manual Recline with Pressure Switches | C1 ELEASMB5998 | 2 | 1 | 1 | 1 | 1 | 4 | 1 | | | | | | | | |
| ..Manual Recline, No Pressure Switches | D1 ELEASMB7096 | | | 1 | 1 | 1 | 4 | 1 | | | | 1 | | | | |
| VSI and... | Master Assembly | M1 | M2 | M3 | M4 | M5 | M6 | M7 | M8 | M9 | M10 | M11 | M12 | M13 | *N1 | *O1 |
| ..with Pressure Switches | E1 ELEASMB6386 | 2 | 1 | | | | 4 | 1 | 1 | 2 | 2 | | 1 | | 1 | 1 |
| ..No Pressure Switches | F1 ELEASMB6390 | | | | | | 4 | 1 | 1 | 2 | 2 | 1 | 1 | | 1 | 1 |
| ..Manual Recline with Pressure Switches | G1 ELEASMB5143 | 2 | 1 | 1 | 1 | 1 | 4 | 1 | | | | | 1 | | | |
| ..Manual Recline, No Pressure Switches | H1 ELEASMB5366 | | | 1 | 1 | 1 | 4 | 1 | | | | 1 | 1 | | | |
| VR2 and... | Master Assembly | M1 | M2 | M3 | M4 | M5 | M6 | M7 | M8 | M9 | M10 | M11 | M12 | M13 | *N1 | *O1 |
| ..with Pressure Switches | I1 ELEASMB6396 | 2 | 1 | | | | 4 | 1 | 1 | 2 | 2 | | | | 1 | 1 |
| ..No Pressure Switches | J1 ELEASMB7099 | | | | | | 4 | 1 | 1 | 2 | 2 | 1 | | | 1 | 1 |
| ..Manual Recline with Pressure Switches | K1 ELEASMB5694 | 2 | 1 | | 1 | 1 | 4 | 1 | | | | | | 1 | | |
| ..Manual Recline, No Pressure Switches | L1 ELEASMB7098 | | | | 1 | 1 | 4 | 1 | | | | 1 | 1 | | | |

The numbers within the table represent the quantity of each harness for each configuration.

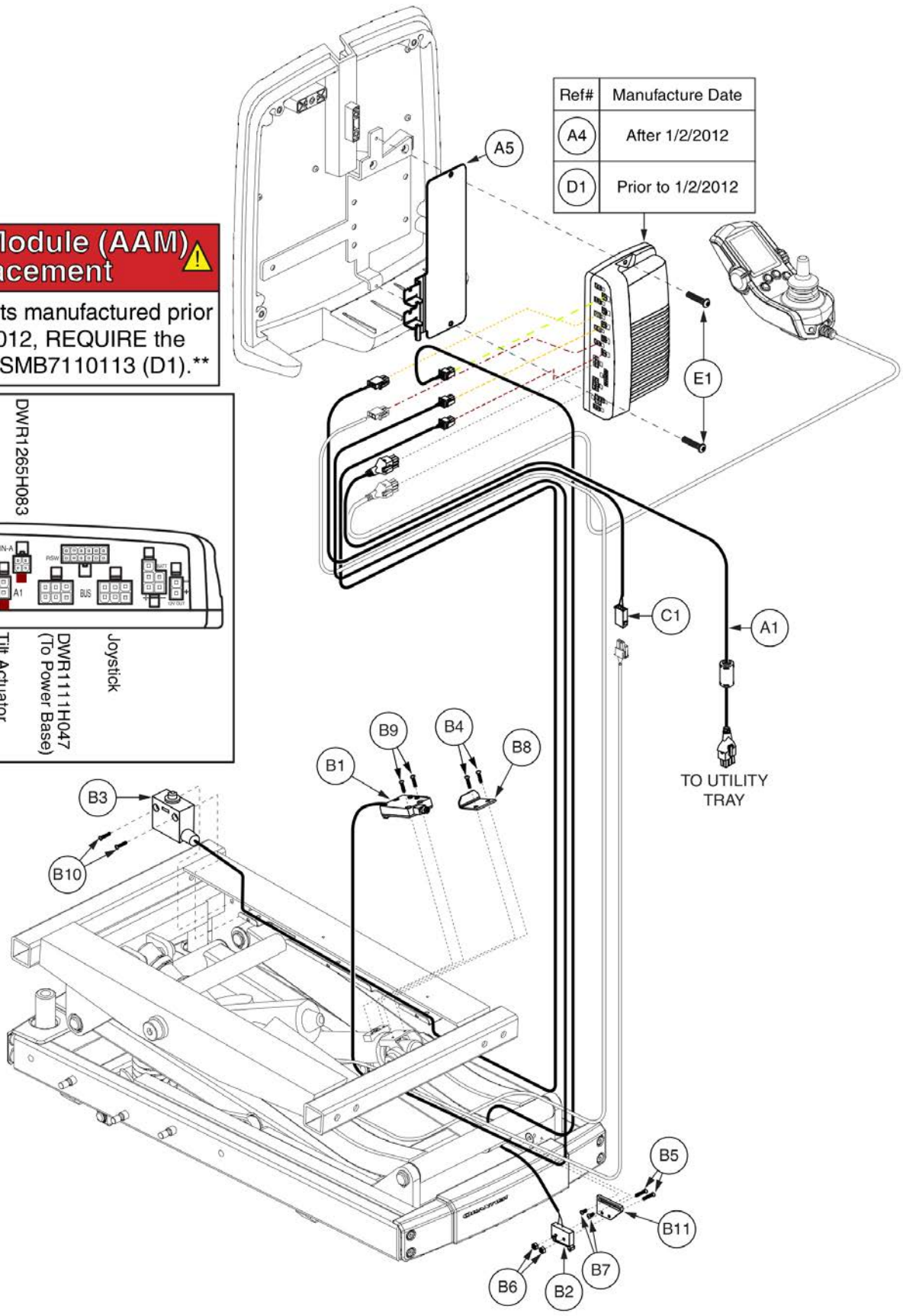
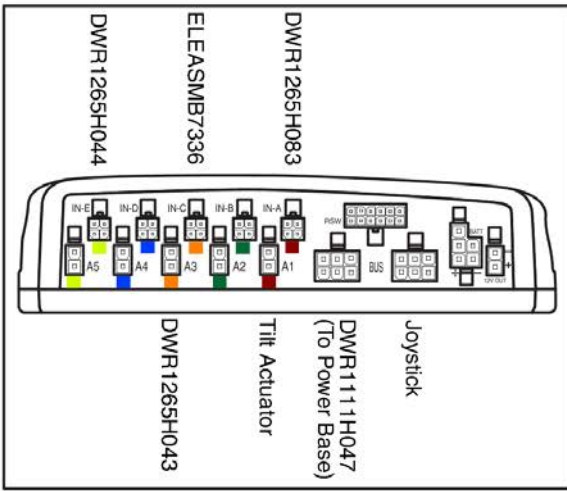
| Item | Part No. | Name | Qty |
|------|--------------|--|-----|
| A1 | ELEASMB6397 | SHARK,THRU JOYSTICK,W/PRESSURE SWITCH,TB2 TILT | 1 |
| B1 | ELEASMB7097 | SHARK,THRU JOYSTICK,TB2 TILT | 1 |
| C1 | ELEASMB5998 | SHARK,THRU JOYSTICK W/MANUAL RECLINE,W/PRESSURE SWITCH,TB2 TILT | 1 |
| D1 | ELEASMB7096 | SHARK,THRU JOYSTICK W/MANUAL RECLINE,TB2 TILT | 1 |
| E1 | ELEASMB6386 | VSI,THRU JOYSTICK,W/PRESSURE SWITCH,TB2 TILT | 1 |
| F1 | ELEASMB6390 | VSI,THRU JOYSTICK,W/O PRESSURE SWITCH,TB2 TILT | 1 |
| G1 | ELEASMB5143 | VSI,THRU JOYSTICK,W/MANUAL RECLINE,W/PRESSURE SWITCH,TB2 TILT | 1 |
| H1 | ELEASMB5366 | VSI,THRU JOYSTICK W/MANUAL RECLINE,W/O PRESSURE SWITCH,TB2 TILT | 1 |
| I1 | ELEASMB6396 | VR2,THRU JOYSTICK,W/PRESSURE SWITCH,TB2 TILT | 1 |
| J1 | ELEASMB7099 | VR2,THRU JOYSTICK,W/O PRESSURE SWITCH,TB2 TILT | 1 |
| K1 | ELEASMB5694 | VR2,THRU JOYSTICK W/MANUAL RECLINE,W/PRESSURE SWITCH,TB2 TILT | 1 |
| L1 | ELEASMB7098 | VR2,THRU JOYSTICK W/MANUAL RECLINE,W/O PRESSURE SWITCH,TB2 TILT | 1 |
| M1 | DWR1265H001 | ELECTRONIC,SWITCH,PRESSURE,ANTI-PINCH,TB2 TILT | 1 |
| M2 | DWR1265H011 | ELECTRONIC,HARNESS,TAPE SWITCH RELAY,GEN 2,TB2 TILT | 1 |
| M3 | ELE142519 | HARNESS,COMBINATION,INHIBIT,MANUAL TILT,ROHS | 1 |
| M4 | CLPCBLC1025 | CLAMP,CABLE,STEEL,0.50" DIA,RUBBER COATED | 1 |
| M5 | SCRASBH1148 | SCREW,BHSCS,BLACK ZINC,1/4-20 X 0.50",W/PATCH | 1 |
| M6 | PLSTIE1004 | TIE WRAP,BLACK,8" | 1 |
| M7 | | ELECTRONIC,WRAP,3/8"D,1 FT, SPIRAL | 1 |
| M8 | DWR1265H039 | HARNESS,MICROSWITCH INHIBIT,TILT | 1 |
| M9 | NUTNYLK1106 | NUT,NYLOCK,BLACK ZINC,2-56,GRADE 2 | 1 |
| M10 | SCRPPH1076 | SCREW, PPH,ZINC,M3 X .5T X 12MM | 1 |
| M11 | DWR1265H028 | HARNESS,TAPE SWITCH RELAY BY-PASS,TILT | 1 |
| M12 | DWR1265H024 | HARNESS,VSI CONTROLLER,TB2 TILT | 1 |
| M13 | ELE142518 | HARNESS,COMBINATION,INHIBIT,G2,ROHS | 1 |
| N1 | FRMASMB14496 | MOUNTING BRACKET,ASSY,INHIBIT MICROSWITCH,TB2 TILT | 1 |
| O1 | | MOUNTING BRACKET,INHIBIT MICROSWITCH,TB2 TILT,ARTICULATING VENT TRAY | 1 |

4. Lift & Tilt

Actuator Module (AAM) Replacement

****Please note: Units manufactured prior to January 2, 2012, REQUIRE the selection of ELEASMB7110113 (D1).****

| Ref# | Manufacture Date |
|------|-------------------|
| A4 | After 1/2/2012 |
| D1 | Prior to 1/2/2012 |

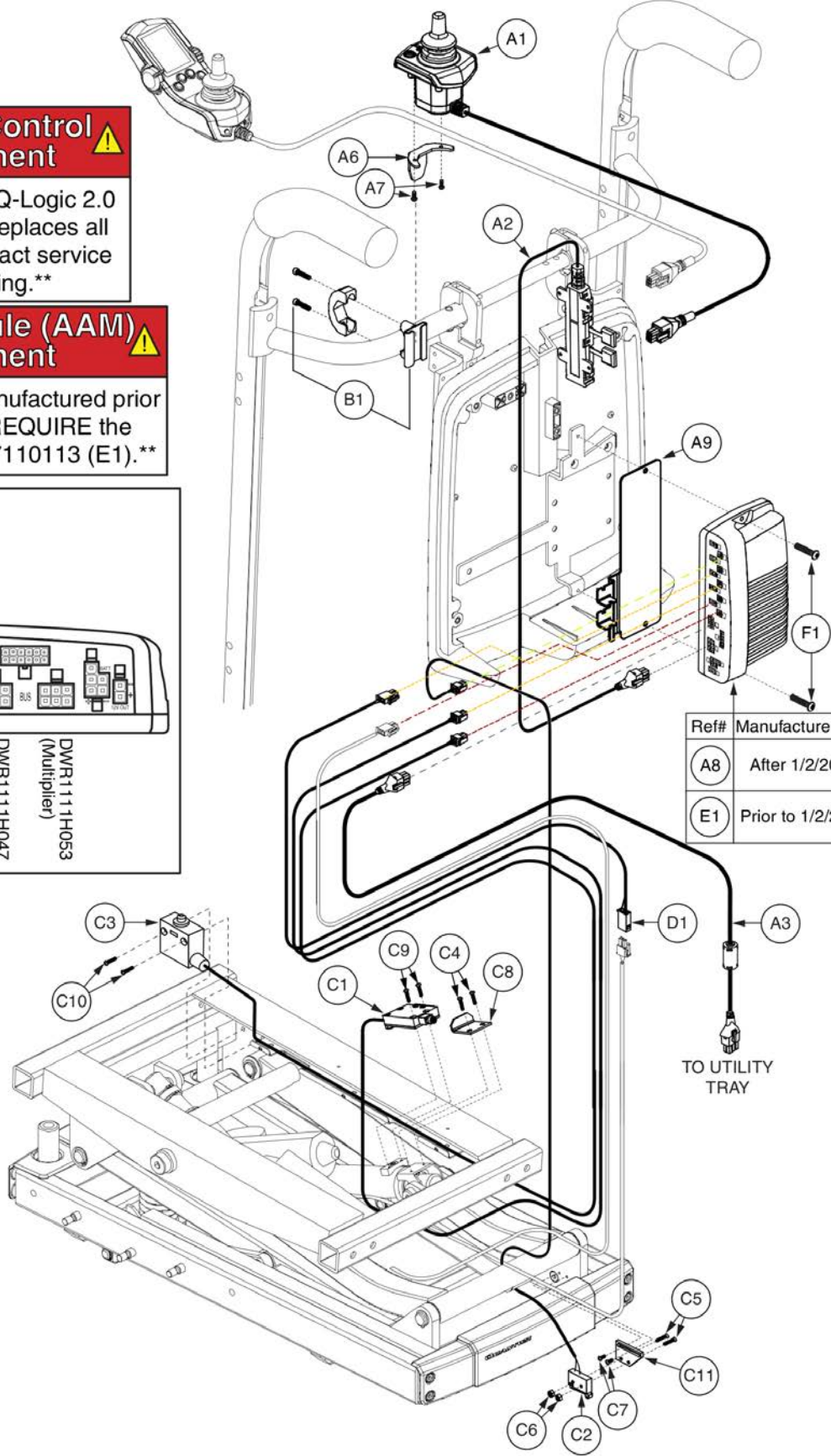
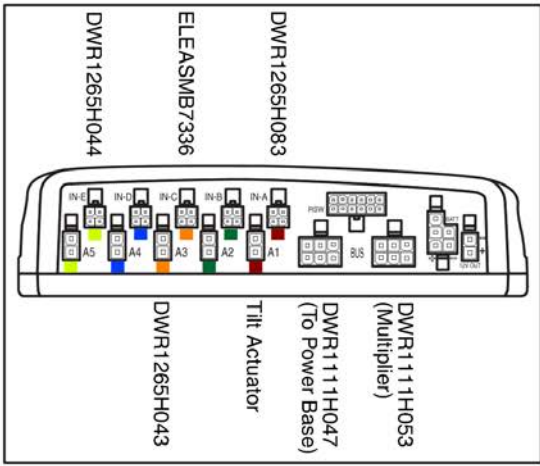


| Item | Part No. | Name | Qty |
|---------|----------------|--|-----|
| A1 - A5 | ELEASMB6100 | ELECTRONIC,ASSY,Q-LOGIC/AAM,TRU-BALANCE 2 POWER LIFT & TILT,LIFT/TILT,THRU JOYSTICK,(CONFIGURATION # 40) | 1 |
| A1 | DWR1111H047 | HARNESS,BUS CABLE,1.0 METER,FEMALE/FEMALE,H-1111-047,(CURTIS:17881302) | 1 |
| A2 | PLSTIE1004 | TIE WRAP,BLACK,8" | 4 |
| A3 | ELESWRP1008 | ELECTRONIC,WRAP,0.375" DIA. X 26" LONG,SPIRAL | 1 |
| A4 | ELEASMB6112 | ELECTRONIC,ASSY,Q-LOGIC AAM MODULE,W/PROGRAMMING,TRUBALANCE,LIFT/TILT,(CONFIGURATION # 40) | 1 |
| A5 | MEC138556 | BRACKET,STRAIN RELIEF,AAM | 1 |
| B1 | ELEASMB7336 | ELECTRONIC,ASSY,ELEVATE INHIBIT SWITCH BOX,TRU-BALANCE 2 POWER LIFT & TILT,C-1290-088 | 1 |
| B2 | DWR1265H044 | ELECTRONIC,HARNESS,MICROSWITCH INHIBIT,TB2 LIFT & TILT | 1 |
| B3 | DWR1265H083 | ELECTRONIC,HARNESS,ACTUATOR LIMIT SWITCH,Q-LOGIC,TRUBALANCE 2 LIFT & TILT,H-1265-083 | 1 |
| B4 | SCRPPH1419 | SCREW,PPH,STEEL,ZINC,4-40 X 0.50",B-1005-262 | 2 |
| B5 | SCRPFH1076 | SCREW,PFH,STAINLESS STEEL,2-56 X 0.50" | 2 |
| B6 | NUTNYLK1106 | NUT,NYLOCK,BLACK ZINC,2-56,GRADE 2 | 2 |
| B7 | SCRPPH1290 | SCREW,PPH,BLACK ZINC,4-40 X 0.25" | 2 |
| B8 | DWR1290C085 | ADJUSTMENT PLATE,ELEVATE INHIBIT,TB2 LIFT & TILT | 1 |
| B9 | SCRPFH1083 | SCREW,PFH,UNDERCUT,STAINLESS STEEL,4-40 X 0.50",B-1005-263 | 2 |
| B10 | SCRASBH1277 | SCREW,BHSCS,BLACK ZINC,10-32 X 0.750",W/PATCH | 2 |
| B11 | DWR1291B012 | INHIBIT SWITCH SUPPORT,B-1291-012 | 1 |
| C1 | DWR1265H043 | EXTENSION HARNESS,Q-LOGIC LIFT & TILT,H-1265-043 | 1 |
| D1 | ELEASMB7110113 | ELECTRONIC,ASSY,Q-LOGIC AAM MODULE(FW1.45),W/PROGRAMMING,TB2,LIFT/TILT,(CONFIGURATION #40) | 1 |
| E1 | SCRPPH1080 | SCREW,PPH,BLACK ZINC,8-32 X 0.75" | 2 |

4. Lift & Tilt

⚠ Attendant Control Replacement ⚠
 Please note: The Q-Logic 2.0 Attendant Control replaces all prior versions. Contact service for programming.

⚠ Actuator Module (AAM) Replacement ⚠
 Please note: Units manufactured prior to January 2, 2012, REQUIRE the selection of ELEASMB7110113 (E1).



| Ref# | Manufacture Date |
|------|-------------------|
| A8 | After 1/2/2012 |
| E1 | Prior to 1/2/2012 |

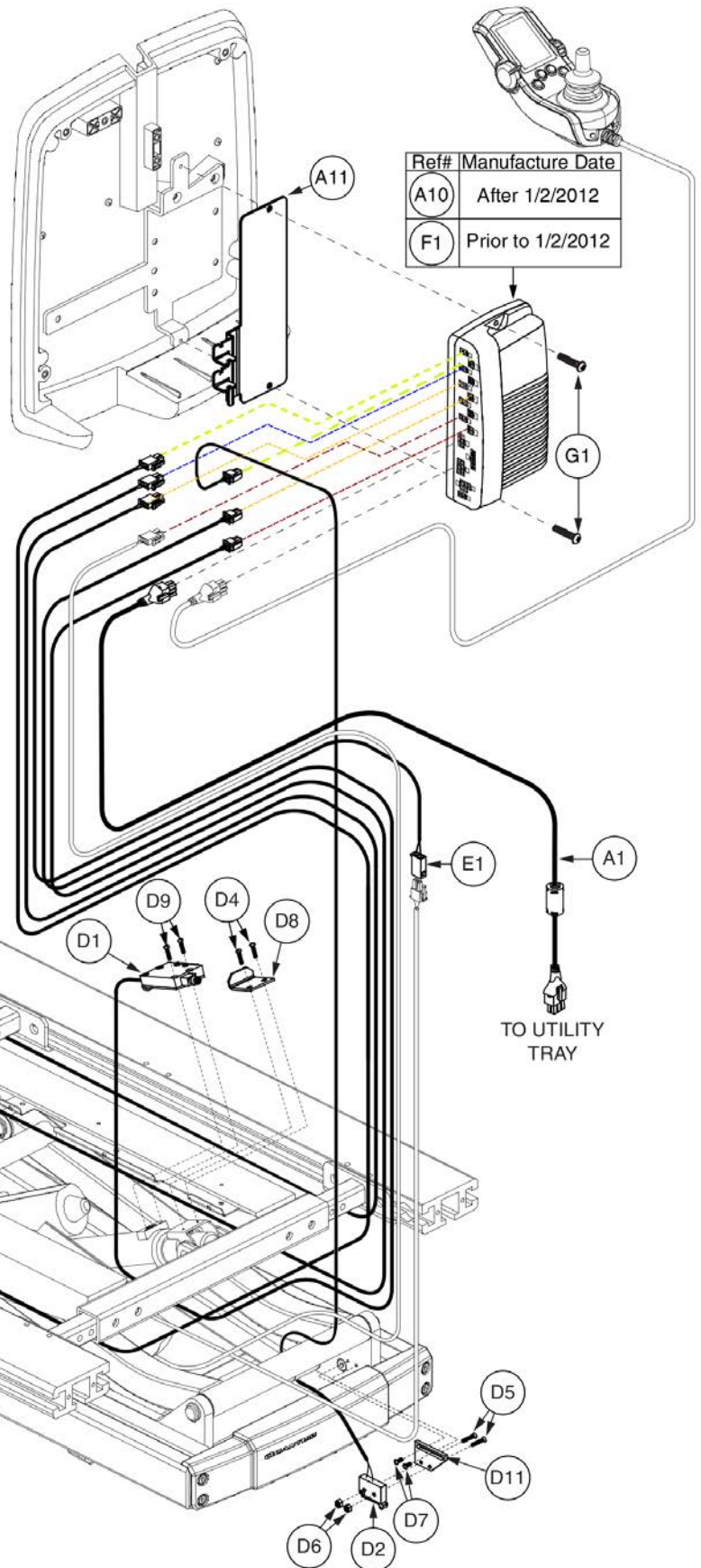
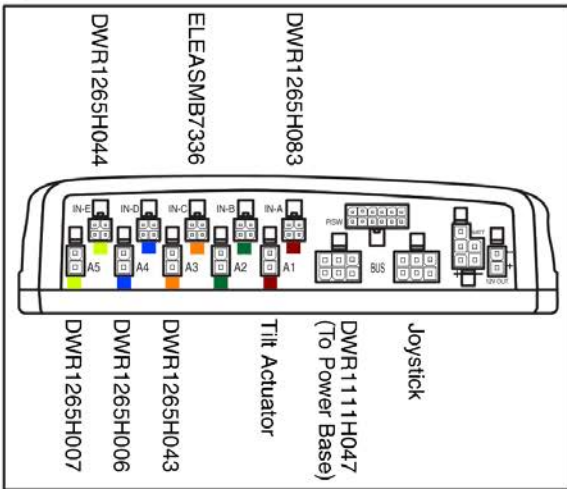
TO UTILITY TRAY

| Item | Part No. | Name | Qty |
|---------|----------------|--|-----|
| A1 - B1 | ELEASMB6101 | ELECTRONIC,ASSY,Q-LOGIC/AAM,TB2 LIFT & TILT,THRU JOYSTICK W/ATTENDANT CONTROL,(CONFIG #40) | 1 |
| A1 | CTL137822 | CONTROLLER,ATTENDANT CONTROL MODULE 2.0,Q-LOGIC 2 | 1 |
| A2 | DWR1111H053 | HARNESS,MULTIPLIER BOX,0.3 METER,H-1111-053,(CURTIS: 17869700) | 1 |
| A3 | DWR1111H047 | HARNESS,BUS CABLE,1.0 METER,FEMALE/FEMALE,H-1111-047,(CURTIS:17881302) | 1 |
| A4 | PLSTIE1004 | TIE WRAP,BLACK,8" | 4 |
| A5 | ELESWRP1008 | ELECTRONIC,WRAP,0.375" DIA. X 26" LONG,SPIRAL | 1 |
| A6 | DWR1010D298 | MOUNTING BRACKET,ATTENDANT BRACKET,CURTIS STAND ALONE JOYSTICK,D-1010-298 | 1 |
| A7 | SCRPPH1165 | SCREW,PPH,BLACK ZINC,M4-.7 X 8MM,P-TYPE | 2 |
| A8 | ELEASMB6112 | ELECTRONIC,ASSY,Q-LOGIC AAM MODULE,W/PROGRAMMING,TRUBALANCE,LIFT/TILT,(CONFIGURATION # 40) | 1 |
| A9 | MEC138556 | BRACKET,STRAIN RELIEF,AAM | 1 |
| B1 | FRMASMB10455 | MOUNTING BRACKET,ASSY,ATTENDANT CONTROL,C-1010-285 | 1 |
| C1 | ELEASMB7336 | ELECTRONIC,ASSY,ELEVATE INHIBIT SWITCH BOX,TRU-BALANCE 2 POWER LIFT & TILT,C-1290-088 | 1 |
| C2 | DWR1265H044 | ELECTRONIC,HARNESS,MICROSWITCH INHIBIT,TB2 LIFT & TILT | 1 |
| C3 | DWR1265H083 | ELECTRONIC,HARNESS,ACTUATOR LIMIT SWITCH,Q-LOGIC,TRUBALANCE 2 LIFT & TILT,H-1265-083 | 1 |
| C4 | SCRPPH1419 | SCREW,PPH,STEEL,ZINC,4-40 X 0.50",B-1005-262 | 2 |
| C5 | SCRPFH1076 | SCREW,PFH,STAINLESS STEEL,2-56 X 0.50" | 2 |
| C6 | NUTNYLK1106 | NUT,NYLOCK,BLACK ZINC,2-56,GRADE 2 | 2 |
| C7 | SCRPPH1290 | SCREW,PPH,BLACK ZINC,4-40 X 0.25" | 1 |
| C8 | DWR1290C085 | ADJUSTMENT PLATE,ELEVATE INHIBIT,TB2 LIFT & TILT | 1 |
| C9 | SCRPFH1083 | SCREW,PFH,UNDERCUT,STAINLESS STEEL,4-40 X 0.50",B-1005-263 | 2 |
| C10 | SCRASBH1277 | SCREW,BHSCS,BLACK ZINC,10-32 X 0.750",W/PATCH | 2 |
| C11 | DWR1291B012 | INHIBIT SWITCH SUPPORT,B-1291-012 | 1 |
| D1 | DWR1265H043 | EXTENSION HARNESS,Q-LOGIC LIFT & TILT,H-1265-043 | 1 |
| E1 | ELEASMB7110113 | ELECTRONIC,ASSY,Q-LOGIC AAM MODULE(FW1.45),W/PROGRAMMING,TB2,LIFT/TILT,(CONFIGURATION #40) | 1 |
| F1 | SCRPPH1080 | SCREW,PPH,BLACK ZINC,8-32 X 0.75" | 1 |

4. Lift & Tilt

Actuator Module (AAM) Replacement

Please note: Units manufactured prior to January 2, 2012, REQUIRE the selection of ELEASMB7110115 (F1).



| Item | Part No. | Name | Qty |
|----------|----------------|--|-----|
| A1 - A11 | ELEASMB6102 | ELECTRONIC,ASSY,Q-LOGIC/AAM,TB2 LIFT & TILT,LIFT/TILT/INDEPENDENT LEGS,THRU JOYSTICK,(CONFIG #41) | 1 |
| A1 | DWR1111H047 | HARNESS,BUS CABLE,1.0 METER,FEMALE/FEMALE,H-1111-047,(CURTIS:17881302) | 1 |
| A2 | DWR1265H006 | ELECTRONIC,HARNESS,INDEPENDENT ELR,CURTIS,TRU-BALANCE TILT 2,LEFT,H-1265-006 | 1 |
| A3 | DWR1265H007 | ELECTRONIC,HARNESS,INDEPENDENT ELR,CURTIS,TRU-BALANCE TILT 2,RIGHT,H-1265-007 | 1 |
| A4 | DWR1303B026 | ELECTRICAL CONNECTION BRACKET,ARTICULATING LEGREST | 2 |
| A5 | NUT8120005 | NUT,T-SLOT,BLACK,M8-1.25 | 2 |
| A6 | SCRHHCS1382 | SCREW,HHCS,BLACK ZINC CHROMATE,M8-1.25 X 12MM,10.9 | 2 |
| A7 | WASSTND1002 | WASHER,FLAT,BLACK ZINC,0.3125" ID X 0.6875" OD X 0.0625" TH | 2 |
| A8 | PLSTIE1004 | TIE WRAP,BLACK,8" | 4 |
| A9 | ELESWRP1008 | ELECTRONIC,WRAP,0.375" DIA. X 26" LONG,SPIRAL | 1 |
| A10 | ELEASMB6113 | ELECTRONIC,ASSY,Q-LOGIC AAM MODULE,W/PROGRAMMING,TRUBALANCE,LIFT/TILT/INDEPENDENT LEGS,(CONFIGURATION #41) | 1 |
| A11 | MEC138556 | BRACKET,STRAIN RELIEF,AAM | 1 |
| B1 | WASSTND1155 | WASHER,FLAT,STAINLESS STEEL,.375"ID X .615"OD X .025"TH | 2 |
| C1 | NUTJAM1032 | NUT,JAM,THIN,STAINLESS STEEL,3/8-32 | 2 |
| D1 | ELEASMB7336 | ELECTRONIC,ASSY,ELEVATE INHIBIT SWITCH BOX,TRU-BALANCE 2 POWER LIFT & TILT,C-1290-088 | 1 |
| D2 | DWR1265H044 | ELECTRONIC,HARNESS,MICROSWITCH INHIBIT,TB2 LIFT & TILT | 1 |
| D3 | DWR1265H083 | ELECTRONIC,HARNESS,ACTUATOR LIMIT SWITCH,Q-LOGIC,TRUBALANCE 2 LIFT & TILT,H-1265-083 | 1 |
| D4 | SCRPPH1419 | SCREW,PPH,STEEL,ZINC,4-40 X 0.50",B-1005-262 | 2 |
| D5 | SCRPFH1076 | SCREW,PFH,STAINLESS STEEL,2-56 X 0.50" | 2 |
| D6 | NUTNYLK1106 | NUT,NYLOCK,BLACK ZINC,2-56,GRADE 2 | 2 |
| D7 | SCRPPH1290 | SCREW,PPH,BLACK ZINC,4-40 X 0.25" | 2 |
| D8 | DWR1290C085 | ADJUSTMENT PLATE,ELEVATE INHIBIT,TB2 LIFT & TILT | 1 |
| D9 | SCRPFH1083 | SCREW,PFH,UNDERCUT,STAINLESS STEEL,4-40 X 0.50",B-1005-263 | 2 |
| D10 | SCRASBH1277 | SCREW,BHSCS,BLACK ZINC,10-32 X 0.750",W/PATCH | 2 |
| D11 | DWR1291B012 | INHIBIT SWITCH SUPPORT,B-1291-012 | 1 |
| E1 | DWR1265H043 | EXTENSION HARNESS,Q-LOGIC LIFT & TILT,H-1265-043 | 1 |
| F1 | ELEASMB7110115 | ELECTRONIC,ASSY,Q-LOGIC AAM MODULE(FW1.45),W/PROGRAM,TB2,LIFT/TILT/IND. LEGS,(CONFIG #41) | 1 |
| G1 | SCRPPH1080 | SCREW,PPH,BLACK ZINC,8-32 X 0.75" | 2 |

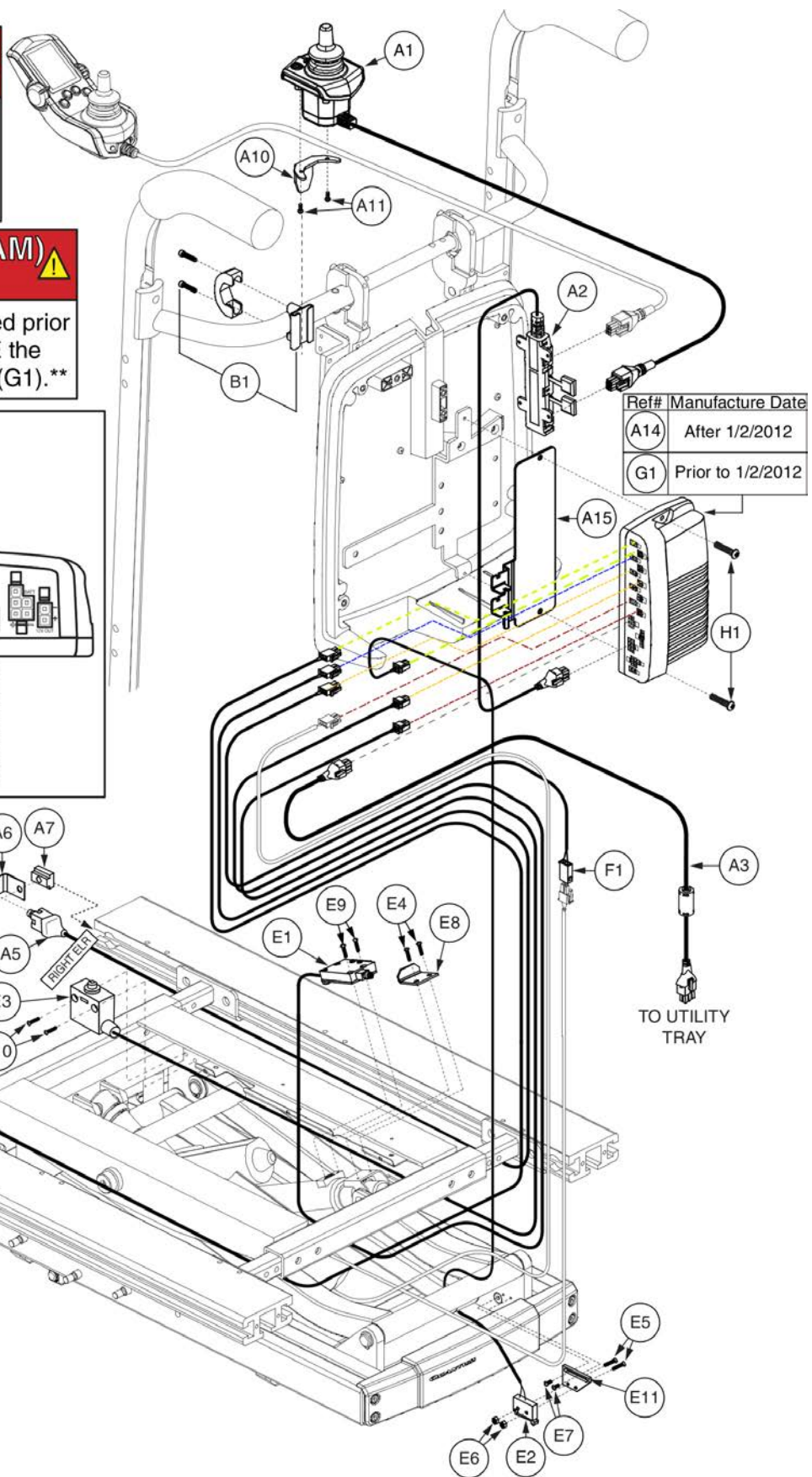
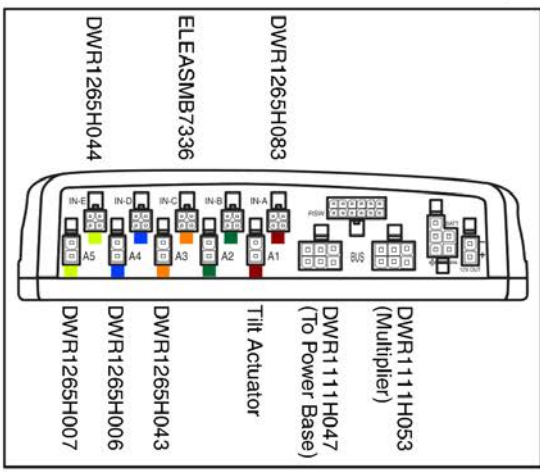
4. Lift & Tilt

⚠ Attendant Control Replacement ⚠

Please note: The Q-Logic 2.0 Attendant Control replaces all prior versions. Contact service for programming.

⚠ Actuator Module (AAM) Replacement ⚠

Please note: Units manufactured prior to January 2, 2012, REQUIRE the selection of ELEASMB710115 (G1).

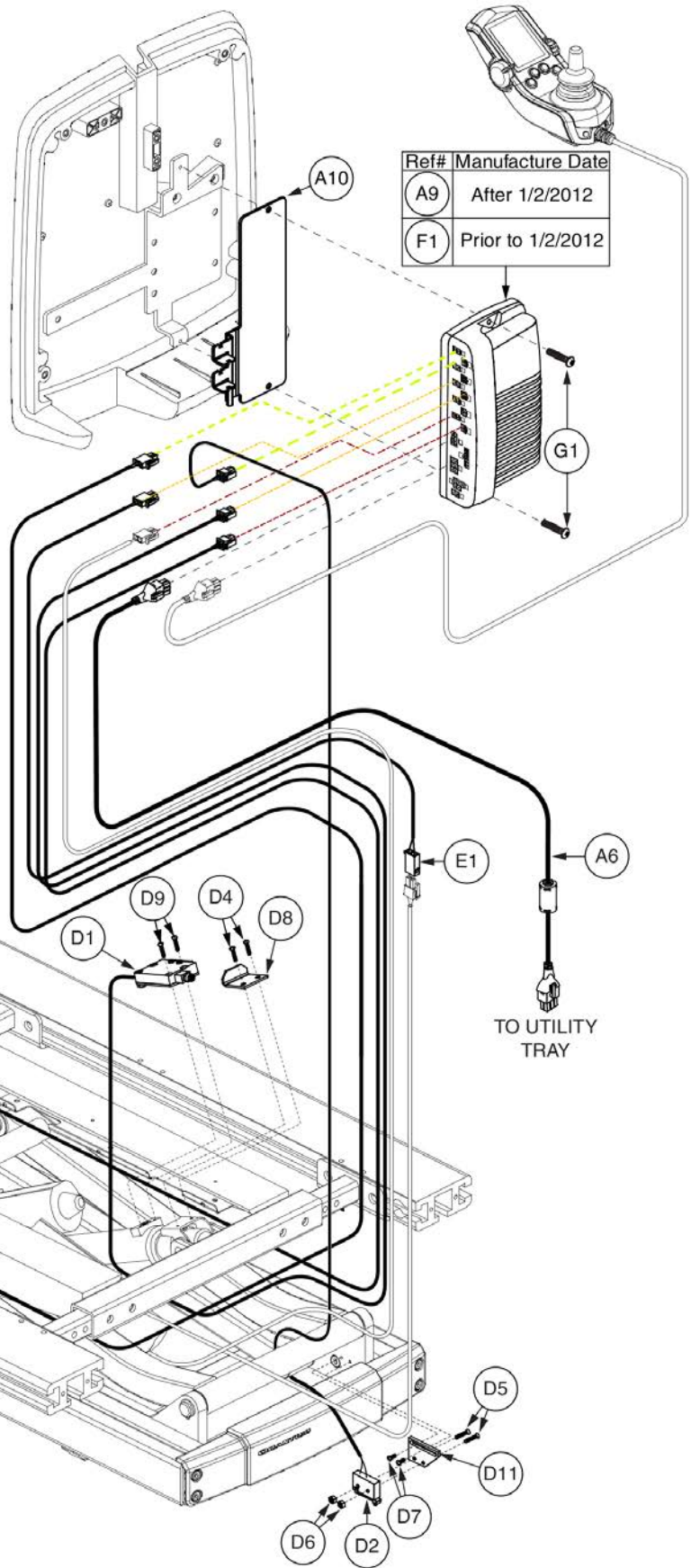
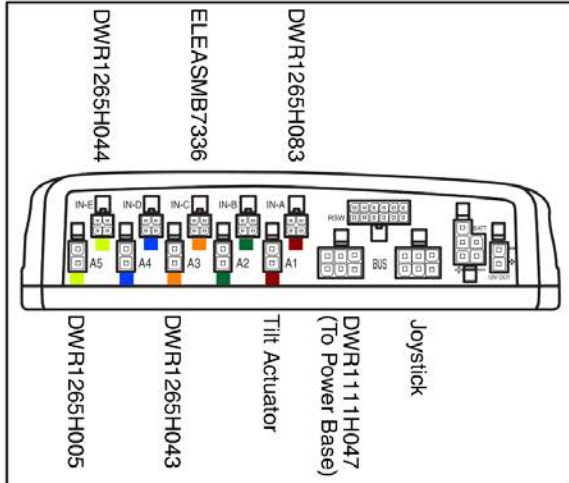


| Item | Part No. | Name | Qty |
|---------|----------------|--|-----|
| A1 - B1 | ELEASMB6103 | TB2,Q-LOGIC/AAM,LIFT/TILT/INDEPENDENT LEGS,THRU JOYSTICK W/ATTENDANT CONTROL,(CONFIGURATION #41) | 1 |
| A1 | CTL137822 | CONTROLLER,ATTENDANT CONTROL MODULE 2.0,Q-LOGIC 2 | 1 |
| A2 | DWR1111H053 | HARNESS,MULTIPLIER BOX,0.3 METER,H-1111-053,(CURTIS: 17869700) | 1 |
| A3 | DWR1111H047 | HARNESS,BUS CABLE,1.0 METER,FEMALE/FEMALE,H-1111-047,(CURTIS:17881302) | 1 |
| A4 | DWR1265H006 | ELECTRONIC,HARNESS,INDEPENDENT ELR,CURTIS,TRU-BALANCE TILT 2,LEFT,H-1265-006 | 1 |
| A5 | DWR1265H007 | ELECTRONIC,HARNESS,INDEPENDENT ELR,CURTIS,TRU-BALANCE TILT 2,RIGHT,H-1265-007 | 1 |
| A6 | DWR1303B026 | ELECTRICAL CONNECTION BRACKET,ARTICULATING LEGREST | 2 |
| A7 | NUT8120005 | NUT,T-SLOT,BLACK,M8-1.25 | 2 |
| A8 | SCRHHCS1382 | SCREW,HHCS,BLACK ZINC CHROMATE,M8-1.25 X 12MM,10.9 | 2 |
| A9 | WASSTND1002 | WASHER,FLAT,BLACK ZINC,0.3125" ID X 0.6875" OD X 0.0625" TH | 2 |
| A10 | DWR1010D298 | MOUNTING BRACKET,ATTENDANT BRACKET,CURTIS STAND ALONE JOYSTICK,D-1010-298 | 1 |
| A11 | SCRPPH1165 | SCREW,PPH,BLACK ZINC,M4-.7 X 8MM,P-TYPE | 2 |
| A12 | PLSTIE1004 | TIE WRAP,BLACK,8" | 4 |
| A13 | ELESWRP1008 | ELECTRONIC,WRAP,0.375" DIA. X 26" LONG,SPIRAL | 1 |
| A14 | ELEASMB6113 | ELECTRONIC,ASSY,Q-LOGIC AAM MODULE,W/PROGRAMMING,TRUBALANCE,LIFT/TILT/INDEPENDENT LEGS,(CONFIGURATION #41) | 1 |
| A15 | MEC138556 | BRACKET,STRAIN RELIEF,AAM | 1 |
| B1 | FRMASMB10455 | MOUNTING BRACKET,ASSY,ATTENDANT CONTROL,C-1010-285 | 1 |
| C1 | WASSTND1155 | WASHER,FLAT,STAINLESS STEEL,.375"ID X .615"OD X .025"TH | 2 |
| D1 | NUTJAM1032 | NUT,JAM,THIN,STAINLESS STEEL,3/8-32 | 2 |
| E1 | ELEASMB7336 | ELECTRONIC,ASSY,ELEVATE INHIBIT SWITCH BOX,TRU-BALANCE 2 POWER LIFT & TILT,C-1290-088 | 1 |
| E2 | DWR1265H044 | ELECTRONIC,HARNESS,MICROSWITCH INHIBIT,TB2 LIFT & TILT | 1 |
| E3 | DWR1265H083 | ELECTRONIC,HARNESS,ACTUATOR LIMIT SWITCH,Q-LOGIC,TRUBALANCE 2 LIFT & TILT,H-1265-083 | 1 |
| E4 | SCRPPH1419 | SCREW,PPH,STEEL,ZINC,4-40 X 0.50",B-1005-262 | 2 |
| E5 | SCRPFH1076 | SCREW,PFH,STAINLESS STEEL,2-56 X 0.50" | 2 |
| E6 | NUTNYLK1106 | NUT,NYLOCK,BLACK ZINC,2-56,GRADE 2 | 2 |
| E7 | SCRPPH1290 | SCREW,PPH,BLACK ZINC,4-40 X 0.25" | 2 |
| E8 | DWR1290C085 | ADJUSTMENT PLATE,ELEVATE INHIBIT,TB2 LIFT & TILT | 1 |
| E9 | SCRPFH1083 | SCREW,PFH,UNDERCUT,STAINLESS STEEL,4-40 X 0.50",B-1005-263 | 2 |
| E10 | SCRASBH1277 | SCREW,BHSCS,BLACK ZINC,10-32 X 0.750",W/PATCH | 2 |
| E11 | DWR1291B012 | INHIBIT SWITCH SUPPORT,B-1291-012 | 1 |
| F1 | DWR1265H043 | EXTENSION HARNESS,Q-LOGIC LIFT & TILT,H-1265-043 | 1 |
| G1 | ELEASMB7110115 | ELECTRONIC,ASSY,Q-LOGIC AAM MODULE(FW1.45),W/PROGRAM,TB2,LIFT/TILT/IND. LEGS,(CONFIG #41) | 1 |
| H1 | SCRPPH1080 | SCREW,PPH,BLACK ZINC,8-32 X 0.75" | 2 |

4. Lift & Tilt

Actuator Module (AAM) Replacement

Please note: Units manufactured prior to January 2, 2012, REQUIRE the selection of ELEASMB7110117 (F1).



| Item | Part No. | Name | Qty |
|----------|----------------|--|-----|
| A1 - A10 | ELEASMB6104 | ELECTRONIC,ASSY,Q-LOGIC/AAM,TB2 LIFT &TILT,LIFT/TILT/COMBINED LEGS,THRU JOYSTICK,(CONFIG #42) | 1 |
| A1 | SCRHHCS1382 | SCREW,HHCS,BLACK ZINC CHROMATE,M8-1.25 X 12MM,10.9 | 2 |
| A2 | WASSTND1002 | WASHER,FLAT,BLACK ZINC,0.3125" ID X 0.6875" OD X 0.0625" TH | 2 |
| A3 | PLSTIE1004 | TIE WRAP,BLACK,8" | 4 |
| A4 | ELESWRP1008 | ELECTRONIC,WRAP,0.375" DIA. X 26" LONG,SPIRAL | 1 |
| A5 | NUT8120005 | NUT,T-SLOT,BLACK,M8-1.25 | 2 |
| A6 | DWR1111H047 | HARNESS,BUS CABLE,1.0 METER,FEMALE/FEMALE,H-1111-047,(CURTIS:17881302) | 1 |
| A7 | DWR1265H005 | ELECTRONIC,HARNESS,COMBINED ELR,CURTIS,TRU-BALANCE TILT 2,H-1265-005 | 1 |
| A8 | DWR1303B026 | ELECTRICAL CONNECTION BRACKET,ARTICULATING LEGREST | 2 |
| A9 | ELEASMB6114 | ELECTRONIC,ASSY,Q-LOGIC AAM MODULE,W/PROGRAMMING,TRUBALANCE,LIFT/TILT/COMBINED LEGS,(CONFIGURATION # 42) | 1 |
| A10 | MEC138556 | BRACKET,STRAIN RELIEF,AAM | 1 |
| B1 | WASSTND1155 | WASHER,FLAT,STAINLESS STEEL,.375"ID X .615"OD X .025"TH | 2 |
| C1 | NUTJAM1032 | NUT,JAM,THIN,STAINLESS STEEL,3/8-32 | 2 |
| D1 | ELEASMB7336 | ELECTRONIC,ASSY,ELEVATE INHIBIT SWITCH BOX,TRU-BALANCE 2 POWER LIFT & TILT,C-1290-088 | 1 |
| D2 | DWR1265H044 | ELECTRONIC,HARNESS,MICROSWITCH INHIBIT,TB2 LIFT & TILT | 1 |
| D3 | DWR1265H083 | ELECTRONIC,HARNESS,ACTUATOR LIMIT SWITCH,Q-LOGIC,TRUBALANCE 2 LIFT & TILT,H-1265-083 | 1 |
| D4 | SCRPPH1419 | SCREW,PPH,STEEL,ZINC,4-40 X 0.50",B-1005-262 | 2 |
| D5 | SCRPFH1076 | SCREW,PFH,STAINLESS STEEL,2-56 X 0.50" | 2 |
| D6 | NUTNYLK1106 | NUT,NYLOCK,BLACK ZINC,2-56,GRADE 2 | 2 |
| D7 | SCRPPH1290 | SCREW,PPH,BLACK ZINC,4-40 X 0.25" | 2 |
| D8 | DWR1290C085 | ADJUSTMENT PLATE,ELEVATE INHIBIT,TB2 LIFT & TILT | 1 |
| D9 | SCRPFH1083 | SCREW,PFH,UNDERCUT,STAINLESS STEEL,4-40 X 0.50",B-1005-263 | 2 |
| D10 | SCRASBH1277 | SCREW,BHSCS,BLACK ZINC,10-32 X 0.750",W/PATCH | 2 |
| D11 | DWR1291B012 | INHIBIT SWITCH SUPPORT,B-1291-012 | 1 |
| E1 | DWR1265H043 | EXTENSION HARNESS,Q-LOGIC LIFT & TILT,H-1265-043 | 1 |
| F1 | ELEASMB7110117 | ELECTRONIC,ASSY,Q-LOGIC AAM MODULE (FW 1.45),W/PROGRAM,TB2,LIFT/TILT/COMBINED LEGS,(CONFIG #42) | 1 |
| G1 | SCRPPH1080 | SCREW,PPH,BLACK ZINC,8-32 X 0.75" | 2 |

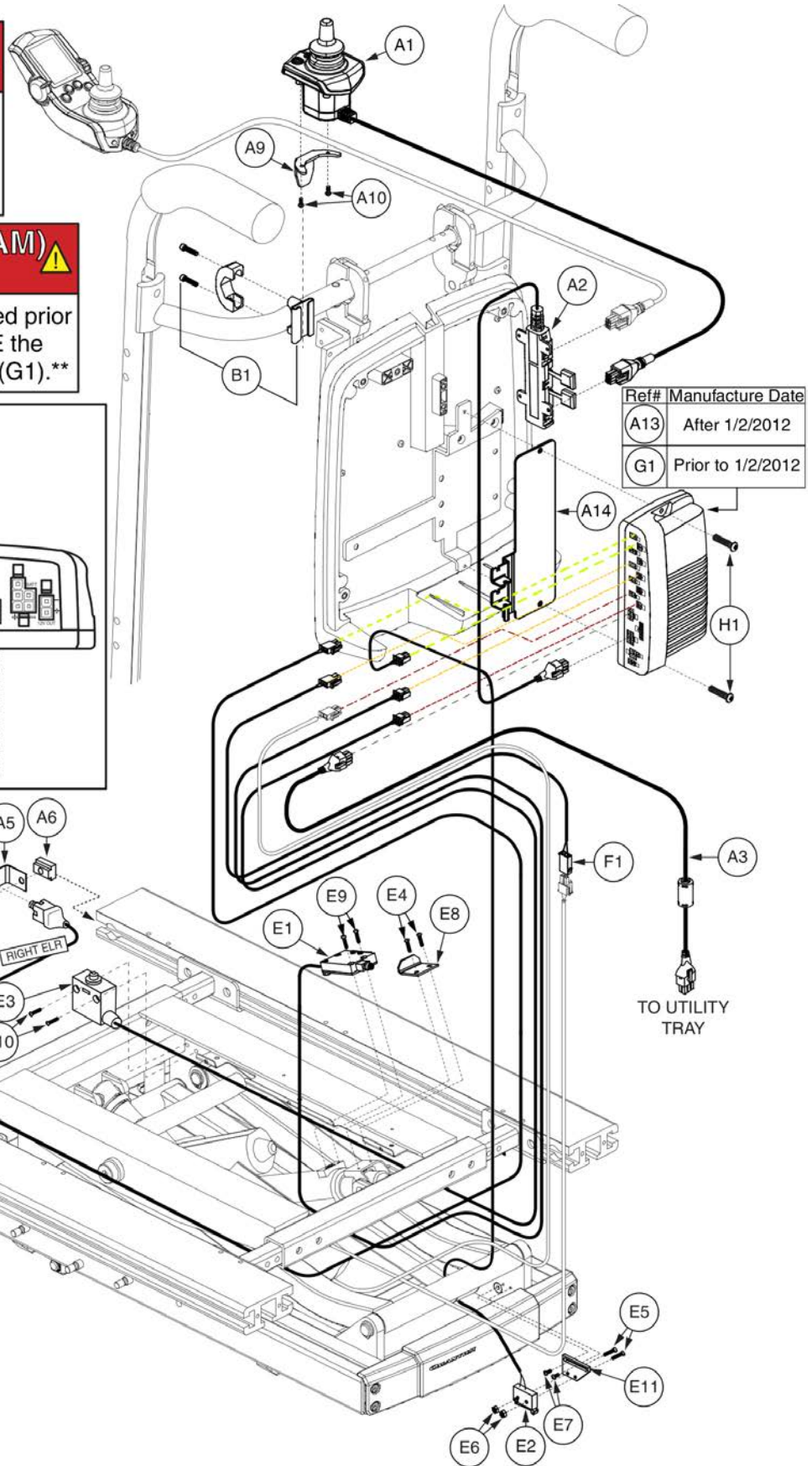
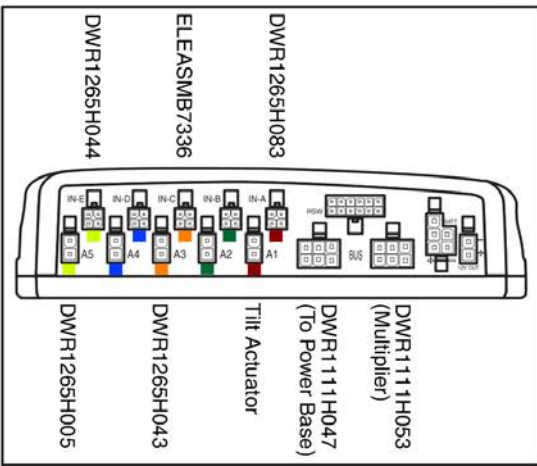
4. Lift & Tilt

⚠ Attendant Control Replacement ⚠

Please note: The Q-Logic 2.0 Attendant Control replaces all prior versions. Contact service for programming.

⚠ Actuator Module (AAM) Replacement ⚠

Please note: Units manufactured prior to January 2, 2012, REQUIRE the selection of ELEASMB7110117 (G1).

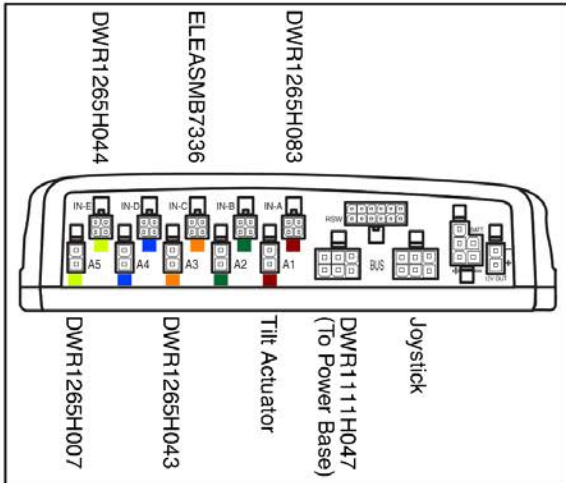


| Item | Part No. | Name | Qty |
|---------|----------------|--|-----|
| A1 - B1 | ELEASMB6105 | TB2,Q-LOGIC/AAM, LIFT/TILT/COMBINED LEGS,THRU JOYSTICK W/ATTENDANT CONTROL,(CONFIGURATION # 42) | 1 |
| A1 | CTL137822 | CONTROLLER,ATTENDANT CONTROL MODULE 2.0,Q-LOGIC 2 | 1 |
| A2 | DWR1111H053 | HARNESS,MULTIPLIER BOX,0.3 METER,H-1111-053,(CURTIS: 17869700) | 1 |
| A3 | DWR1111H047 | HARNESS,BUS CABLE,1.0 METER,FEMALE/FEMALE,H-1111-047,(CURTIS:17881302) | 1 |
| A4 | DWR1265H005 | ELECTRONIC,HARNESS,COMBINED ELR,CURTIS,TRU-BALANCE TILT 2,H-1265-005 | 1 |
| A5 | DWR1303B026 | ELECTRICAL CONNECTION BRACKET,ARTICULATING LEGREST | 2 |
| A6 | NUT8120005 | NUT,T-SLOT,BLACK,M8-1.25 | 2 |
| A7 | SCRHHCS1382 | SCREW,HHCS,BLACK ZINC CHROMATE,M8-1.25 X 12MM,10.9 | 2 |
| A8 | WASSTND1002 | WASHER,FLAT,BLACK ZINC,0.3125" ID X 0.6875" OD X 0.0625" TH | 2 |
| A9 | DWR1010D298 | MOUNTING BRACKET,ATTENDANT BRACKET,CURTIS STAND ALONE JOYSTICK,D-1010-298 | 1 |
| A10 | SCRPPH1165 | SCREW,PPH,BLACK ZINC,M4-.7 X 8MM,P-TYPE | 2 |
| A11 | PLSTIE1004 | TIE WRAP,BLACK,8" | 4 |
| A12 | ELESWRP1008 | ELECTRONIC,WRAP,0.375" DIA. X 26" LONG,SPIRAL | 1 |
| A13 | ELEASMB6114 | ELECTRONIC,ASSY,Q-LOGIC AAM MODULE,W/PROGRAMMING,TRUBALANCE,LIFT/TILT/COMBINED LEGS,(CONFIGURATION # 42) | 1 |
| A14 | MEC138556 | BRACKET,STRAIN RELIEF,AAM | 1 |
| B1 | FRMASMB10455 | MOUNTING BRACKET,ASSY,ATTENDANT CONTROL,C-1010-285 | 1 |
| C1 | WASSTND1155 | WASHER,FLAT,STAINLESS STEEL,.375"ID X .615"OD X .025"TH | 2 |
| D1 | NUTJAM1032 | NUT,JAM,THIN,STAINLESS STEEL,3/8-32 | 2 |
| E1 | ELEASMB7336 | ELECTRONIC,ASSY,ELEVATE INHIBIT SWITCH BOX,TRU-BALANCE 2 POWER LIFT & TILT,C-1290-088 | 1 |
| E2 | DWR1265H044 | ELECTRONIC,HARNESS,MICROSWITCH INHIBIT,TB2 LIFT & TILT | 1 |
| E3 | DWR1265H083 | ELECTRONIC,HARNESS,ACTUATOR LIMIT SWITCH,Q-LOGIC,TRUBALANCE 2 LIFT & TILT,H-1265-083 | 1 |
| E4 | SCRPPH1419 | SCREW,PPH,STEEL,ZINC,4-40 X 0.50",B-1005-262 | 2 |
| E5 | SCRPFH1076 | SCREW,PFH,STAINLESS STEEL,2-56 X 0.50" | 2 |
| E6 | NUTNYLK1106 | NUT,NYLOCK,BLACK ZINC,2-56,GRADE 2 | 2 |
| E7 | SCRPPH1290 | SCREW,PPH,BLACK ZINC,4-40 X 0.25" | 2 |
| E8 | DWR1290C085 | ADJUSTMENT PLATE,ELEVATE INHIBIT,TB2 LIFT & TILT | 1 |
| E9 | SCRPFH1083 | SCREW,PFH,UNDERCUT,STAINLESS STEEL,4-40 X 0.50",B-1005-263 | 2 |
| E10 | SCRASBH1277 | SCREW,BHSCS,BLACK ZINC,10-32 X 0.750",W/PATCH | 2 |
| E11 | DWR1291B012 | INHIBIT SWITCH SUPPORT,B-1291-012 | 1 |
| F1 | DWR1265H043 | EXTENSION HARNESS,Q-LOGIC LIFT & TILT,H-1265-043 | 1 |
| G1 | ELEASMB7110117 | ELECTRONIC,ASSY,Q-LOGIC AAM MODULE (FW 1.45),W/PROGRAM,TB2,LIFT/TILT/COMBINED LEGS,(CONFIG #42) | 1 |
| H1 | SCRPPH1080 | SCREW,PPH,BLACK ZINC,8-32 X 0.75" | 2 |

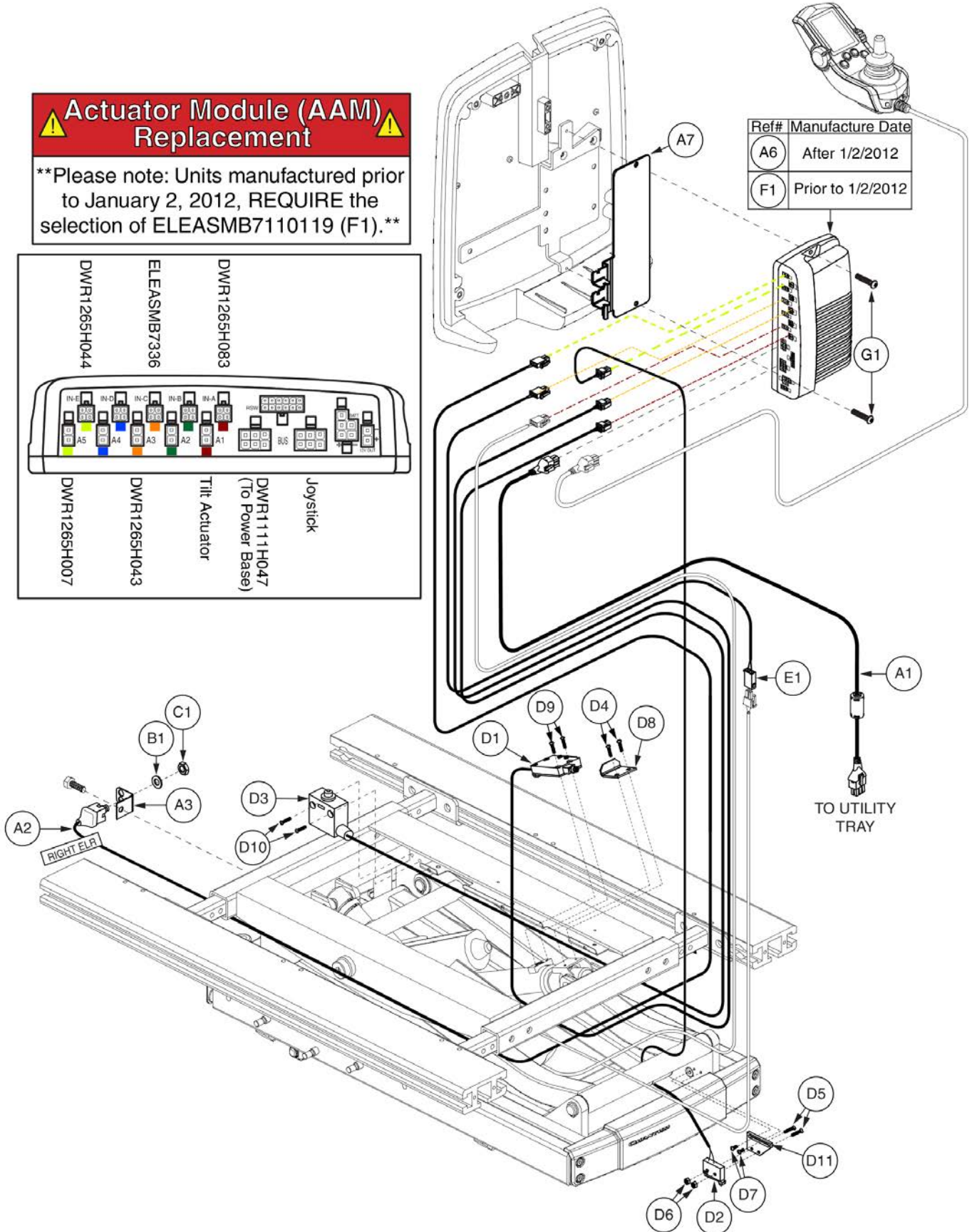
4. Lift & Tilt

Actuator Module (AAM) Replacement

****Please note: Units manufactured prior to January 2, 2012, REQUIRE the selection of ELEASMB7110119 (F1).****



| Ref# | Manufacture Date |
|------|-------------------|
| A6 | After 1/2/2012 |
| F1 | Prior to 1/2/2012 |



| Item | Part No. | Name | Qty |
|---------|----------------|---|-----|
| A1 - A7 | ELEASMB6106 | ELECTRONIC,ASSY,Q-LOGIC/AAM,TB2 LIFT & TILT,LIFT/TILT/POWER ART. FOOT PLATFORM,THRU JOYSTICK,(CONFIG #43) | 1 |
| A1 | DWR1111H047 | HARNESS,BUS CABLE,1.0 METER,FEMALE/FEMALE,H-1111-047,(CURTIS:17881302) | 1 |
| A2 | DWR1265H007 | ELECTRONIC,HARNESS,INDEPENDENT ELR,CURTIS,TRU-BALANCE TILT 2,RIGHT,H-1265-007 | 1 |
| A3 | DWR1303B026 | ELECTRICAL CONNECTION BRACKET,ARTICULATING LEGREST | 1 |
| A4 | PLSTIE1004 | TIE WRAP,BLACK,8" | 4 |
| A5 | ELESWRP1008 | ELECTRONIC,WRAP,0.375" DIA. X 26" LONG,SPIRAL | 1 |
| A6 | ELEASMB6115 | ELECTRONIC,ASSY,Q-LOGIC AAM MODULE,W/PROGRAM,TB2,LIFT/TILT/POWER FOOT PLATFORM,(CONFIG # 43) | 1 |
| A7 | MEC138556 | BRACKET,STRAIN RELIEF,AAM | 1 |
| B1 | WASSTND1155 | WASHER,FLAT,STAINLESS STEEL,.375"ID X .615"OD X .025"TH | 1 |
| C1 | NUTJAM1032 | NUT,JAM,THIN,STAINLESS STEEL,3/8-32 | 1 |
| D1 | ELEASMB7336 | ELECTRONIC,ASSY,ELEVATE INHIBIT SWITCH BOX,TRU-BALANCE 2 POWER LIFT & TILT,C-1290-088 | 1 |
| D2 | DWR1265H044 | ELECTRONIC,HARNESS,MICROSWITCH INHIBIT,TB2 LIFT & TILT | 1 |
| D3 | DWR1265H083 | ELECTRONIC,HARNESS,ACTUATOR LIMIT SWITCH,Q-LOGIC,TRUBALANCE 2 LIFT & TILT,H-1265-083 | 1 |
| D4 | SCRPPH1419 | SCREW,PPH,STEEL,ZINC,4-40 X 0.50",B-1005-262 | 2 |
| D5 | SCRPFH1076 | SCREW,PFH,STAINLESS STEEL,2-56 X 0.50" | 2 |
| D6 | NUTNYLK1106 | NUT,NYLOCK,BLACK ZINC,2-56,GRADE 2 | 2 |
| D7 | SCRPPH1290 | SCREW,PPH,BLACK ZINC,4-40 X 0.25" | 2 |
| D8 | DWR1290C085 | ADJUSTMENT PLATE,ELEVATE INHIBIT,TB2 LIFT & TILT | 1 |
| D9 | SCRPFH1083 | SCREW,PFH,UNDERCUT,STAINLESS STEEL,4-40 X 0.50",B-1005-263 | 2 |
| D10 | SCRASBH1277 | SCREW,BHSCS,BLACK ZINC,10-32 X 0.750",W/PATCH | 2 |
| D11 | DWR1291B012 | INHIBIT SWITCH SUPPORT,B-1291-012 | 1 |
| E1 | DWR1265H043 | EXTENSION HARNESS,Q-LOGIC LIFT & TILT,H-1265-043 | 1 |
| F1 | ELEASMB7110119 | ELECTRONIC,ASSY,Q-LOGIC AAM MODULE(FW 1.45),W/PROGRAM,TB2,LIFT/TILT/POWER FOOT PLATFORM,(CONFIG # 43) | 1 |
| G1 | SCRPPH1080 | SCREW,PPH,BLACK ZINC,8-32 X 0.75" | 2 |

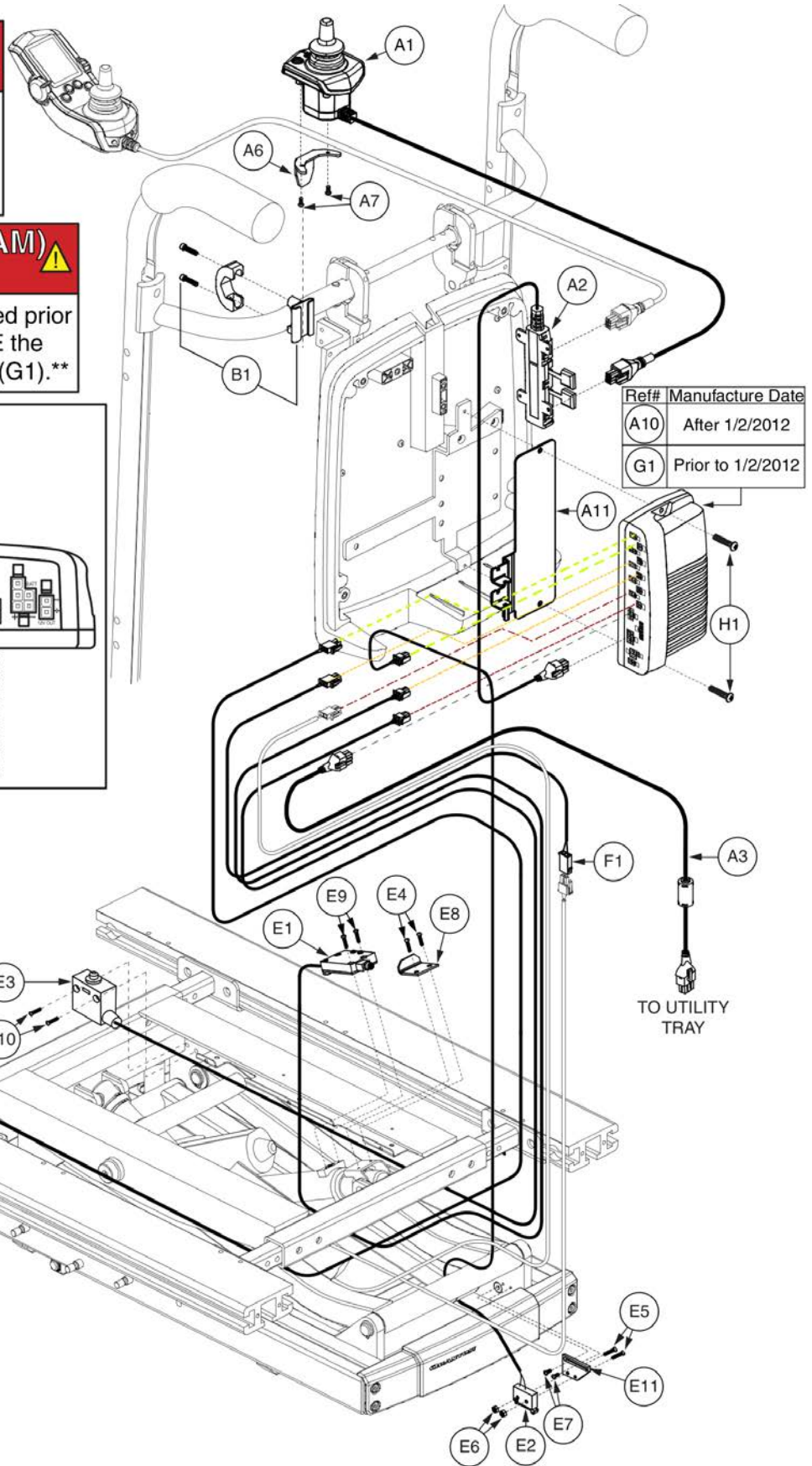
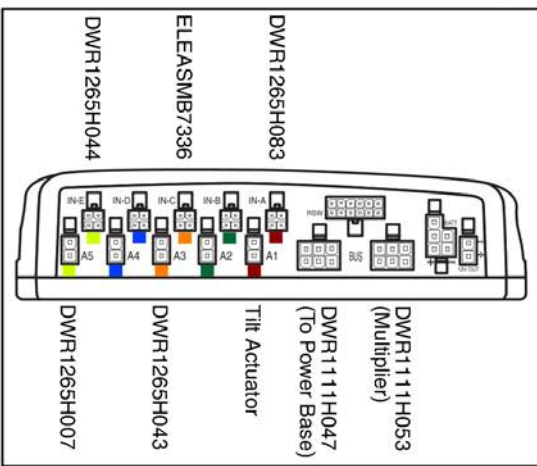
4. Lift & Tilt

⚠ Attendant Control Replacement ⚠

Please note: The Q-Logic 2.0 Attendant Control replaces all prior versions. Contact service for programming.

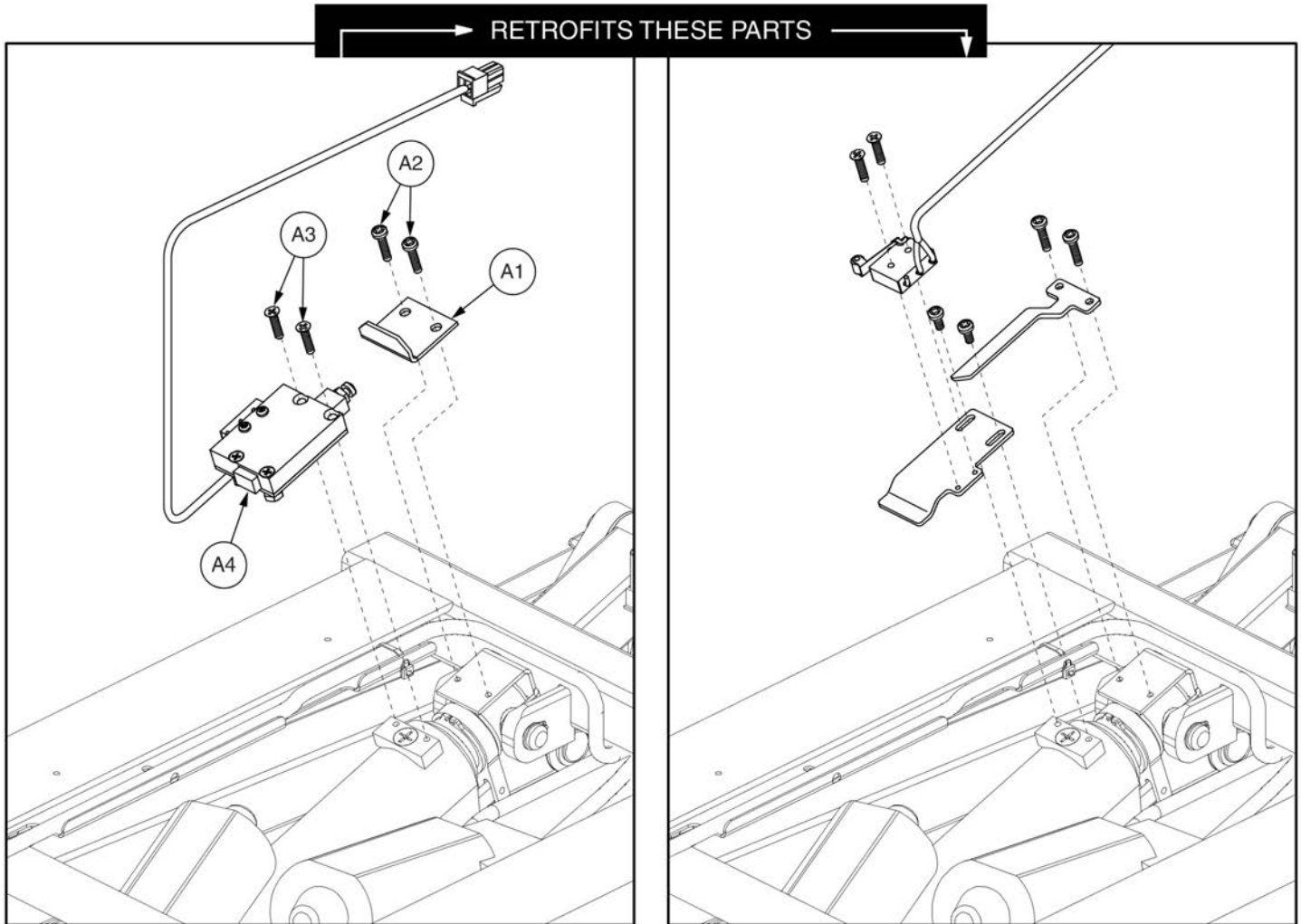
⚠ Actuator Module (AAM) Replacement ⚠

Please note: Units manufactured prior to January 2, 2012, REQUIRE the selection of ELEASMB7110119 (G1).



| Item | Part No. | Name | Qty |
|---------|----------------|--|-----|
| A1 - B1 | ELEASMB6107 | ELECTRONIC,ASSY,Q-LOGIC/AAM,TRU-BALANCE 2 POWER LIFT & TILT,LIFT/TILT/POWER ARTICULATING FOOT PLATFORM,THRU JOYSTICK W/ATTENDANT CONTROL,(CONFIGURATION #43) | 1 |
| A1 | CTL137822 | CONTROLLER,ATTENDANT CONTROL MODULE 2.0,Q-LOGIC 2 | 1 |
| A2 | DWR1111H053 | HARNESS,MULTIPLIER BOX,0.3 METER,H-1111-053,(CURTIS: 17869700) | 1 |
| A3 | DWR1111H047 | HARNESS,BUS CABLE,1.0 METER,FEMALE/FEMALE,H-1111-047,(CURTIS:17881302) | 1 |
| A4 | DWR1265H007 | ELECTRONIC,HARNESS,INDEPENDENT ELR,CURTIS,TRU-BALANCE TILT 2,RIGHT,H-1265-007 | 1 |
| A5 | DWR1303B026 | ELECTRICAL CONNECTION BRACKET,ARTICULATING LEGREST | 1 |
| A6 | DWR1010D298 | MOUNTING BRACKET,ATTENDANT BRACKET,CURTIS STAND ALONE JOYSTICK,D-1010-298 | 1 |
| A7 | SCRPPH1165 | SCREW,PPH,BLACK ZINC,M4-.7 X 8MM,P-TYPE | 2 |
| A8 | PLSTIE1004 | TIE WRAP,BLACK,8" | 4 |
| A9 | ELESWRP1008 | ELECTRONIC,WRAP,0.375" DIA. X 26" LONG,SPIRAL | 1 |
| A10 | ELEASMB6115 | ELECTRONIC,ASSY,Q-LOGIC AAM MODULE,W/PROGRAM,TB2,LIFT/TILT/POWER FOOT PLATFORM,(CONFIG # 43) | 1 |
| A11 | MEC138556 | BRACKET,STRAIN RELIEF,AAM | 1 |
| B1 | FRMASMB10455 | MOUNTING BRACKET,ASSY,ATTENDANT CONTROL,C-1010-285 | 1 |
| C1 | WASSTND1155 | WASHER,FLAT,STAINLESS STEEL,.375"ID X .615"OD X .025"TH | 1 |
| D1 | NUTJAM1032 | NUT,JAM,THIN,STAINLESS STEEL,3/8-32 | 1 |
| E1 | ELEASMB7336 | ELECTRONIC,ASSY,ELEVATE INHIBIT SWITCH BOX,TRU-BALANCE 2 POWER LIFT & TILT,C-1290-088 | 1 |
| E2 | DWR1265H044 | ELECTRONIC,HARNESS,MICROSWITCH INHIBIT,TB2 LIFT & TILT | 1 |
| E3 | DWR1265H083 | ELECTRONIC,HARNESS,ACTUATOR LIMIT SWITCH,Q-LOGIC,TRUBALANCE 2 LIFT & TILT,H-1265-083 | 1 |
| E4 | SCRPPH1419 | SCREW,PPH,STEEL,ZINC,4-40 X 0.50",B-1005-262 | 2 |
| E5 | SCRPFH1076 | SCREW,PFH,STAINLESS STEEL,2-56 X 0.50" | 2 |
| E6 | NUTNYLK1106 | NUT,NYLOCK,BLACK ZINC,2-56,GRADE 2 | 2 |
| E7 | SCRPPH1290 | SCREW,PPH,BLACK ZINC,4-40 X 0.25" | 2 |
| E8 | DWR1290C085 | ADJUSTMENT PLATE,ELEVATE INHIBIT,TB2 LIFT & TILT | 1 |
| E9 | SCRPFH1083 | SCREW,PFH,UNDERCUT,STAINLESS STEEL,4-40 X 0.50",B-1005-263 | 2 |
| E10 | SCRASBH1277 | SCREW,BHSCS,BLACK ZINC,10-32 X 0.750",W/PATCH | 2 |
| E11 | DWR1291B012 | INHIBIT SWITCH SUPPORT,B-1291-012 | 1 |
| F1 | DWR1265H043 | EXTENSION HARNESS,Q-LOGIC LIFT & TILT,H-1265-043 | 1 |
| G1 | ELEASMB7110119 | ELECTRONIC,ASSY,Q-LOGIC AAM MODULE(FW 1.45),W/PROGRAM,TB2,LIFT/TILT/POWER FOOT PLATFORM,(CONFIG # 43) | 1 |
| H1 | SCRPPH1080 | SCREW,PPH,BLACK ZINC,8-32 X 0.75" | 2 |

4. Lift & Tilt

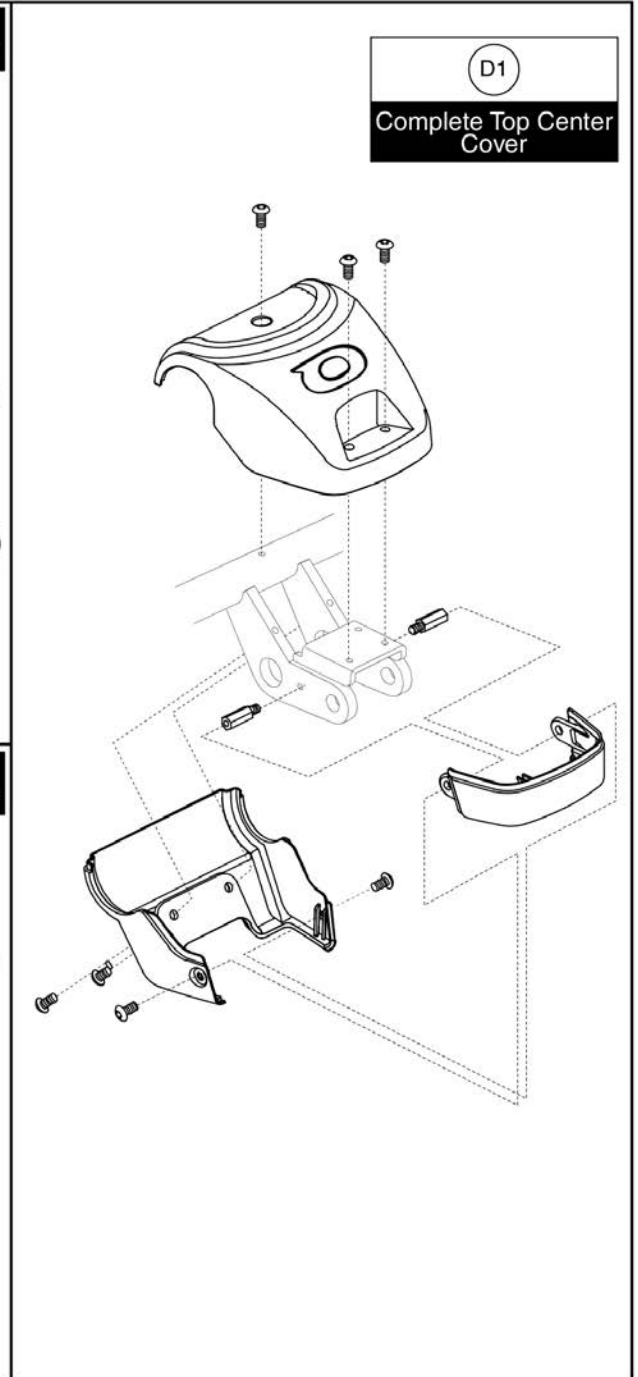
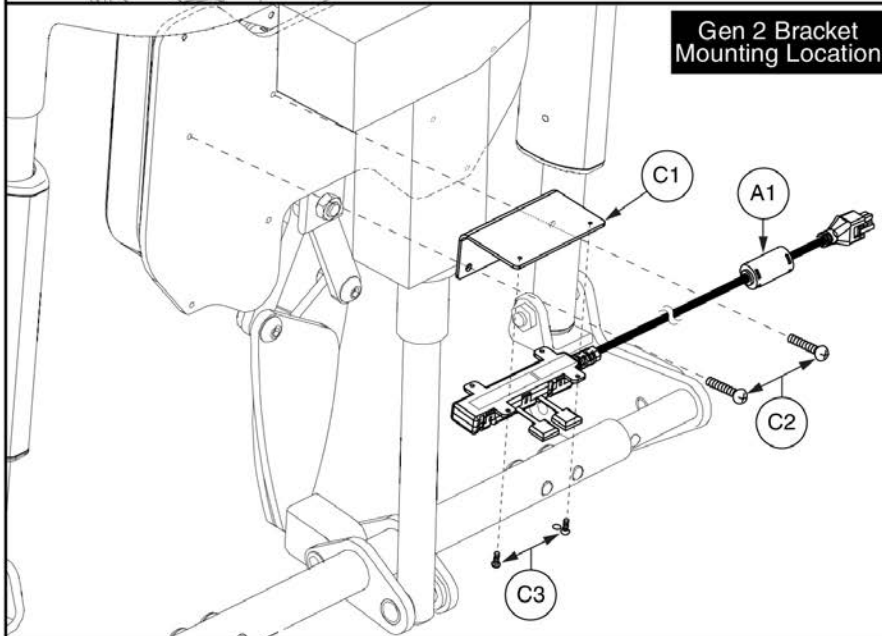
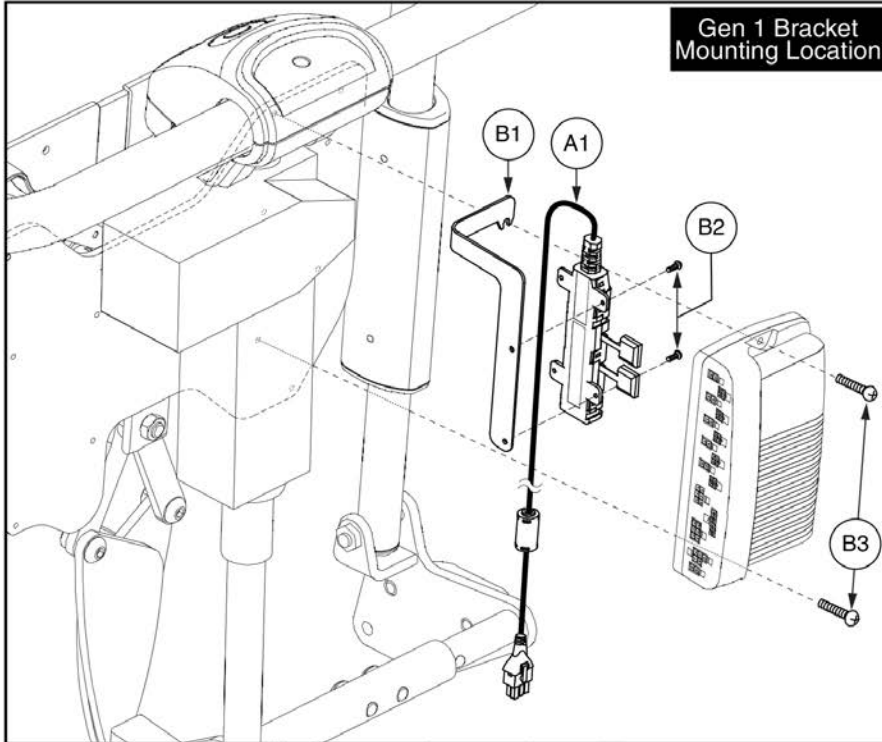


Elevate Inhibit Retro Kit, TB2 Lift and Tilt



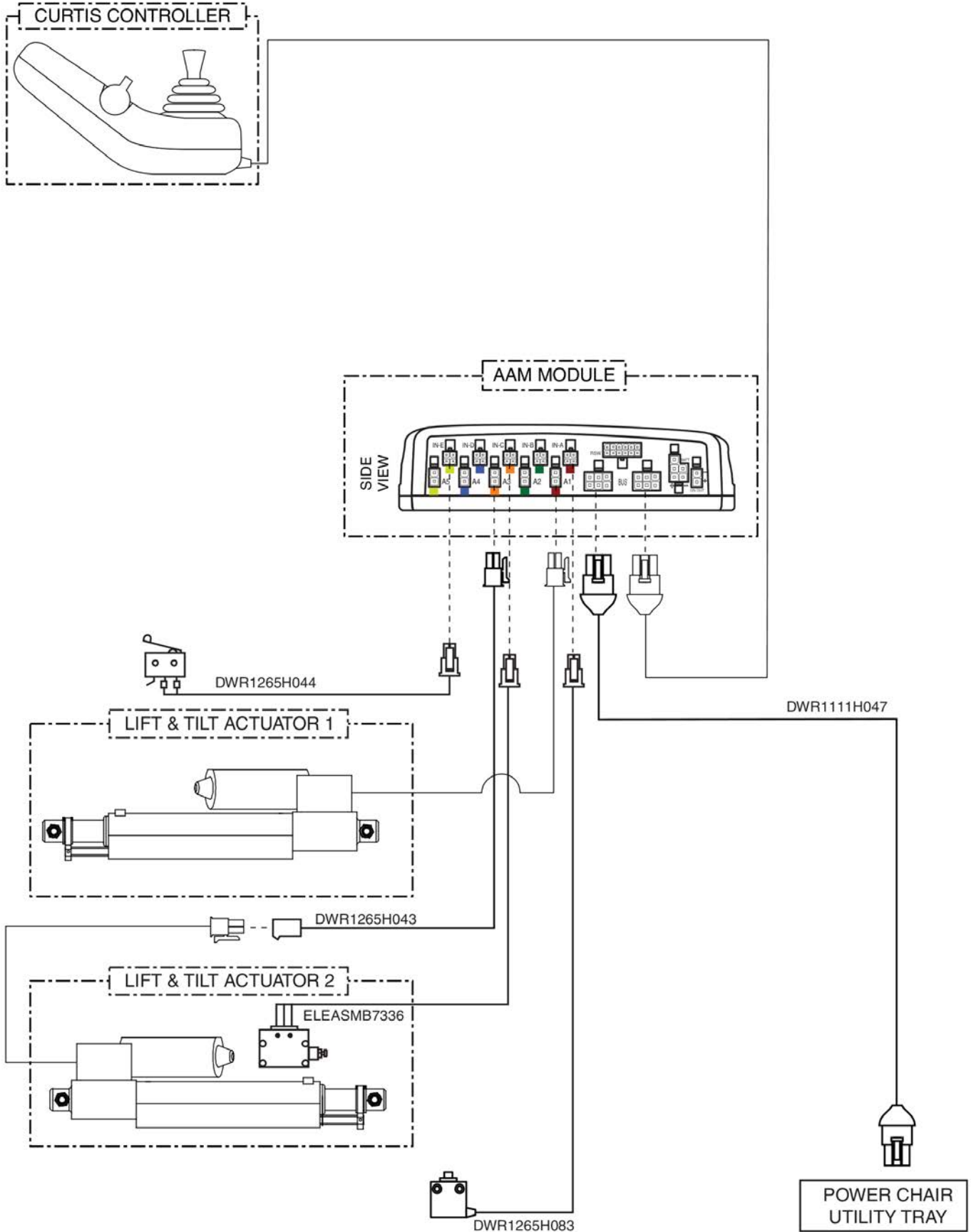
| Item | Part No. | Name | Qty |
|------|-------------|---|-----|
| A1 | DWR1290C085 | ADJUSTMENT PLATE,ELEVATE INHIBIT,TB2 LIFT & TILT | 1 |
| A2 | SCRPPH1419 | SCREW,PPH,STEEL,ZINC,4-40 X 0.50",B-1005-262 | 2 |
| A3 | SCRPFH1083 | SCREW,PFH,UNDERCUT,STAINLESS STEEL,4-40 X 0.50",B-1005-263 | 2 |
| A4 | ELEASMB7336 | ELECTRONIC,ASSY,ELEVATE INHIBIT SWITCH BOX,TRU-BALANCE 2 POWER LIFT & TILT,C-1290-088 | 1 |

4. Lift & Tilt



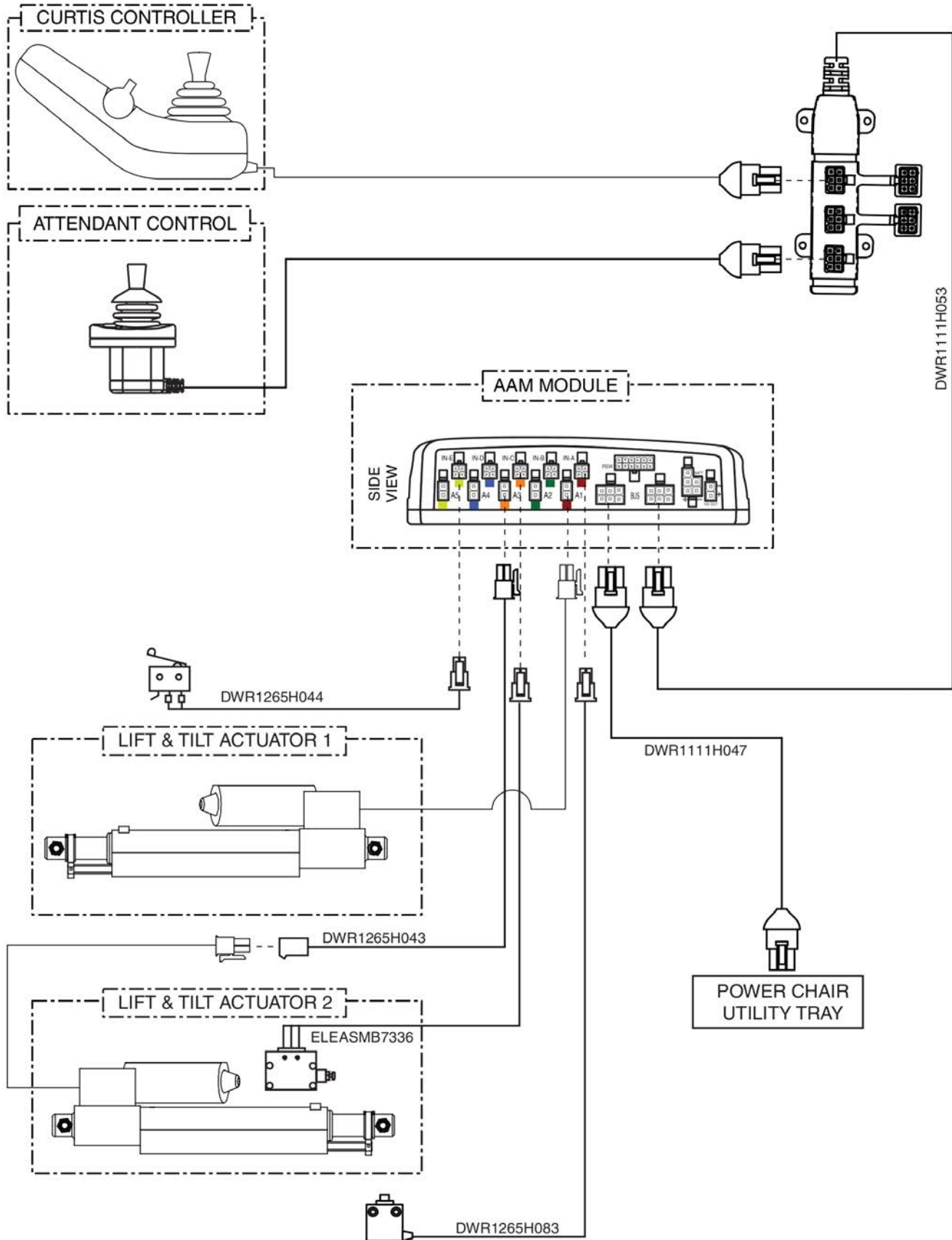
| Item | Part No. | Name | Qty |
|------|-------------|---|-----|
| A1 | DWR1111H053 | HARNES,MULTIPLIER BOX,0.3 METER,H-1111-053,(CURTIS: 17869700) | 1 |
| B1 | DWR1367D078 | MULTIPLIER BRACKET,TRU-BALANCE 2 POWER RECLINE | 1 |
| B2 | SCRPPH1031 | SCREW, PPH,BLACK ZINC,4-40 X 3/8" | 2 |
| B3 | SCRPPH1080 | SCREW,PPH,BLACK ZINC,8-32 X 0.75" | 2 |
| C1 | BRK8110019 | MULTIPLIER L-BRACKET,TRU-BALANCE 2 POWER RECLINE | 1 |
| C2 | SCRPPH1379 | SCREW,PPH,BLACK ZINC,8-32 X 0.375" | 2 |
| C3 | SCRPPH1031 | SCREW, PPH,BLACK ZINC,4-40 X 3/8" | 2 |
| D1 | PLSASMB2069 | PLASTIC,ASSY,CURTIS/AAM,TRU-BALANCE 2 POWER RECLINE | 1 |

Electrical System Diagrams



This page intentionally left blank

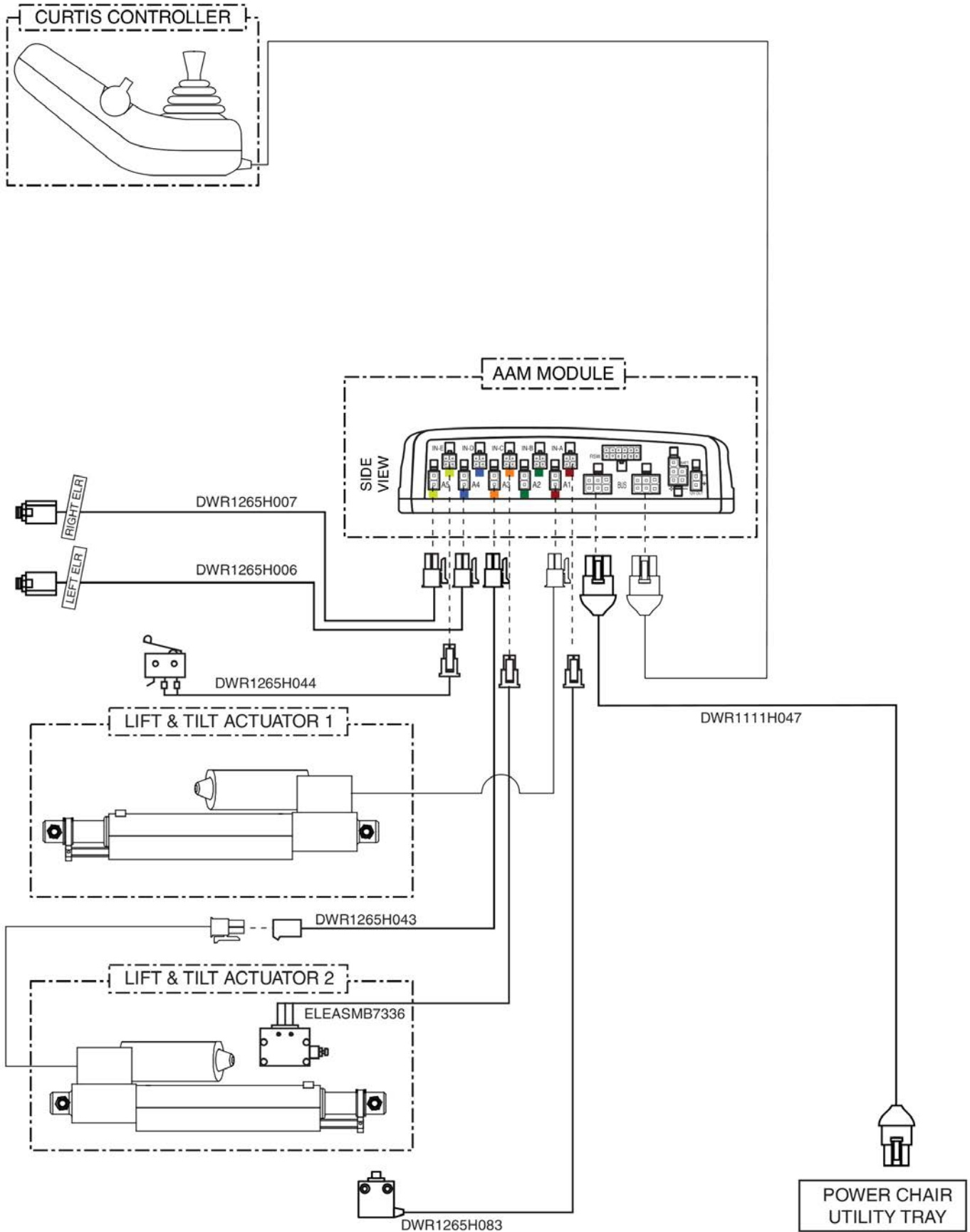
Electrical System Diagrams



DWR1111H053

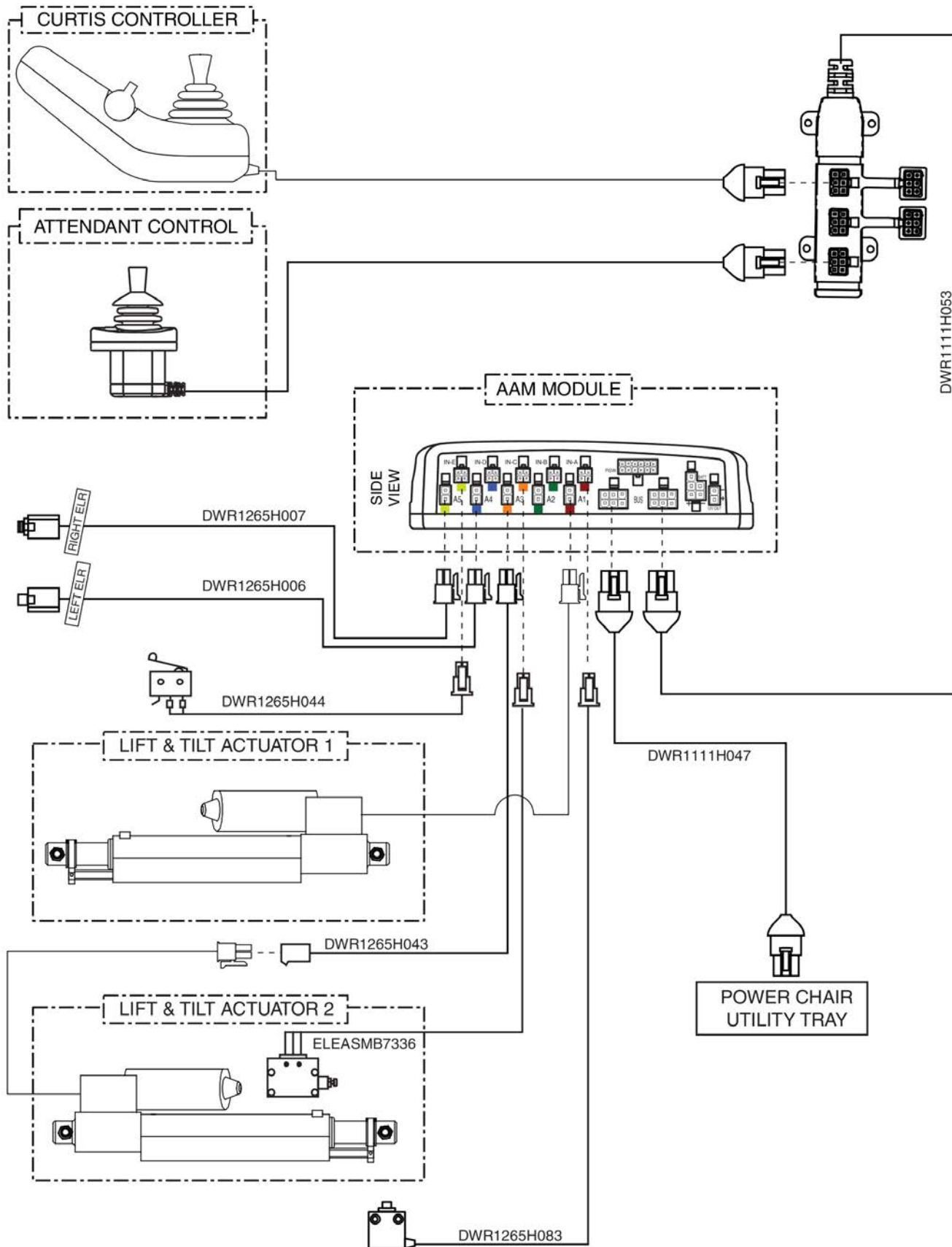
This page intentionally left blank

Electrical System Diagrams



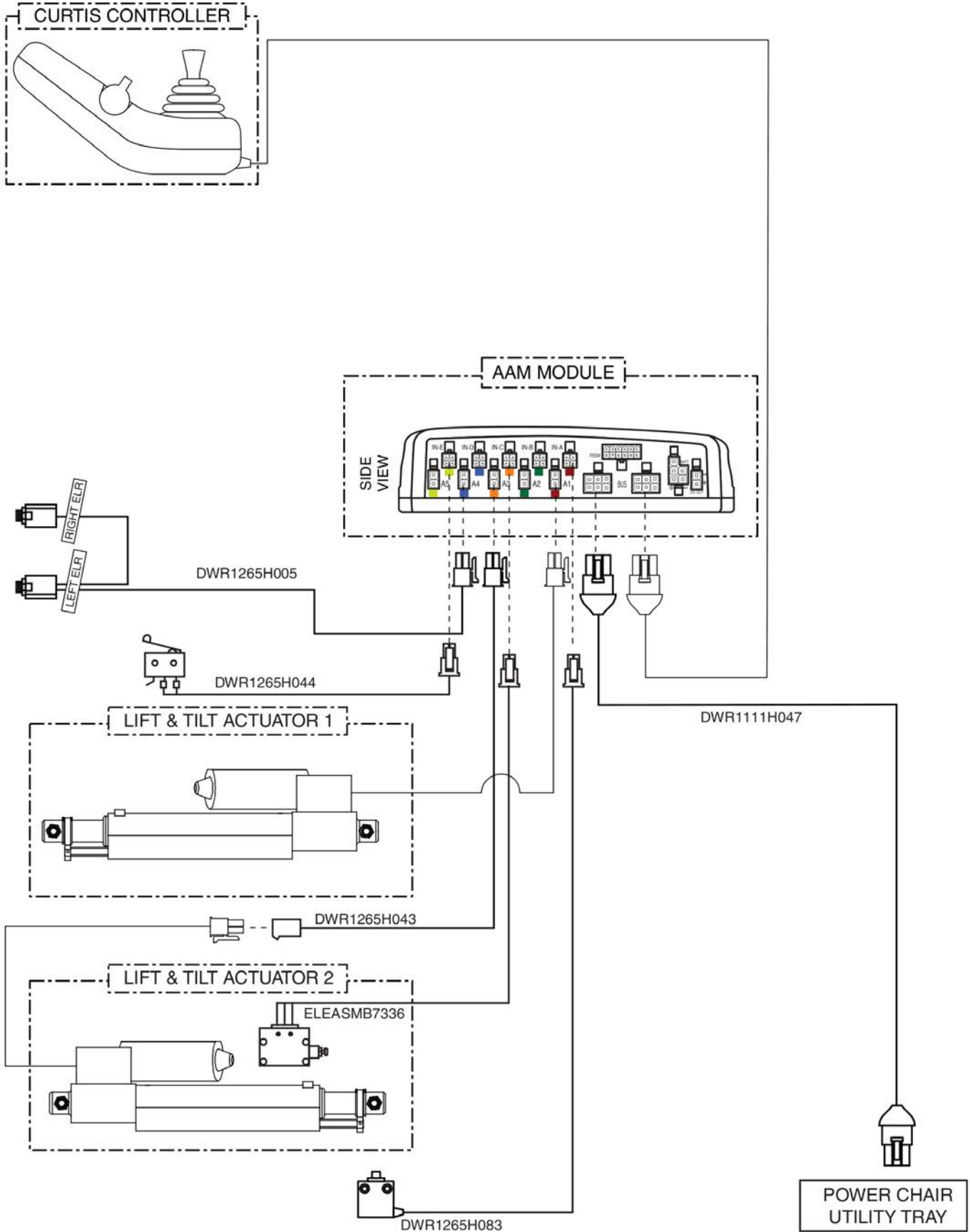
This page intentionally left blank

Electrical System Diagrams



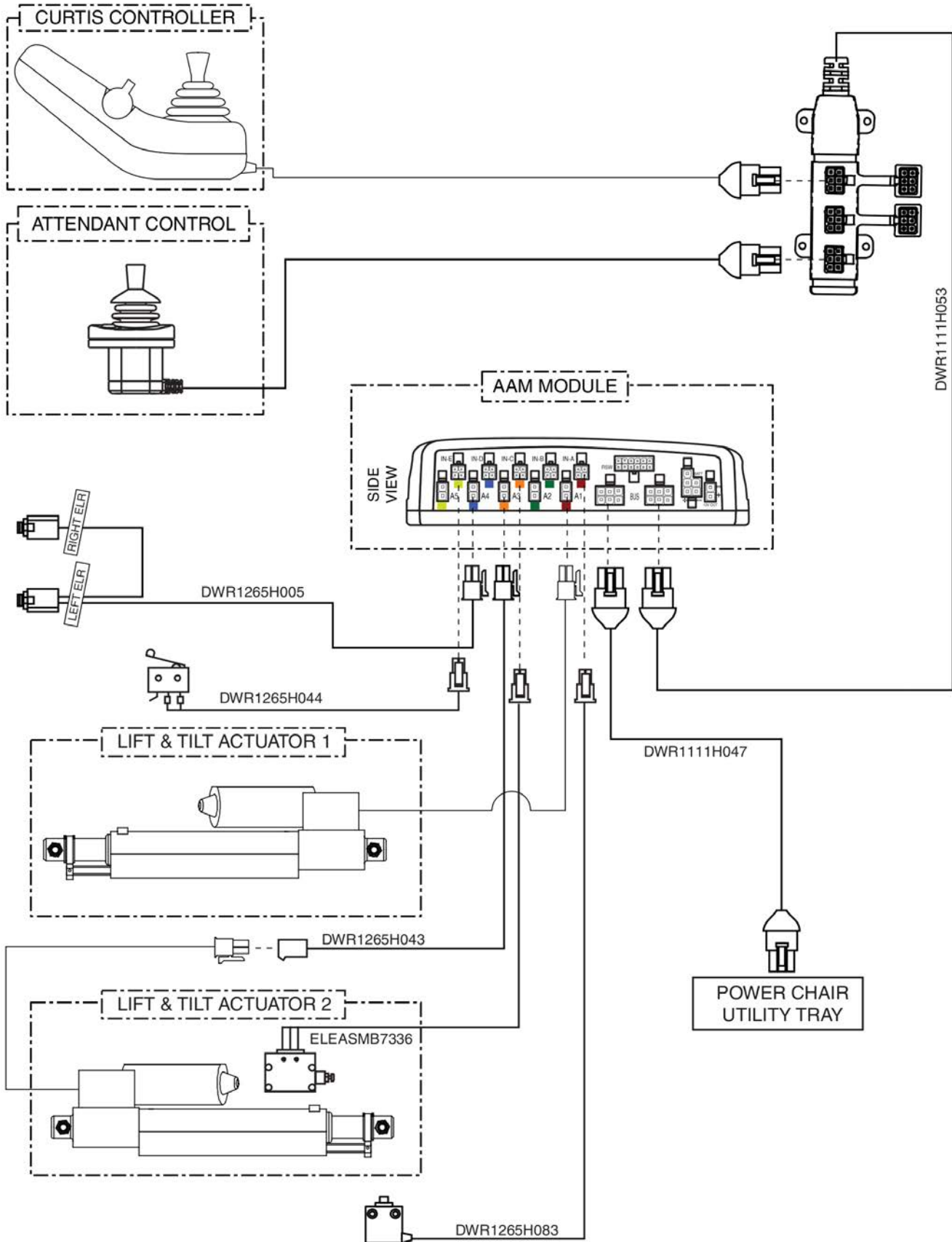
This page intentionally left blank

Electrical System Diagrams



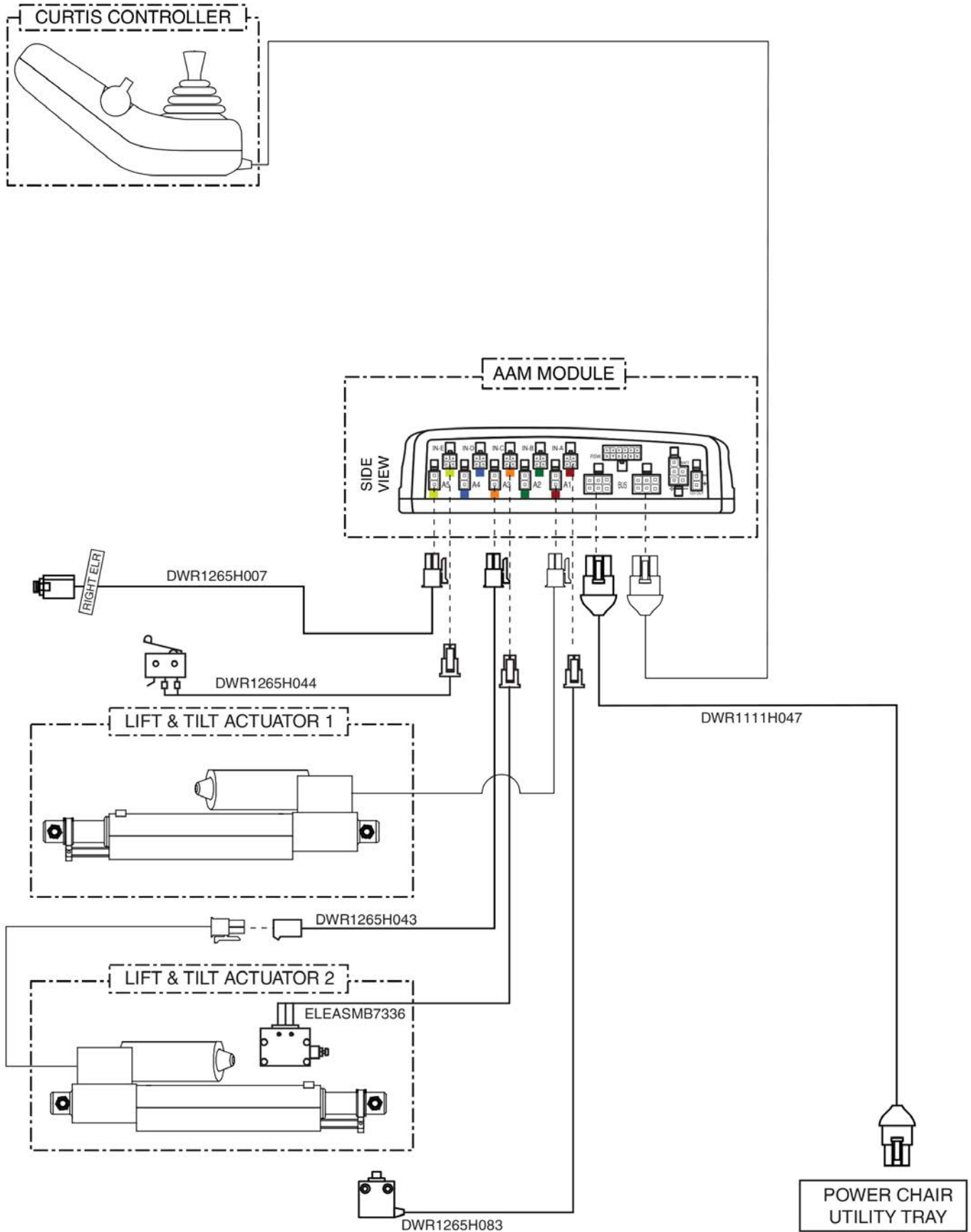
This page intentionally left blank

Electrical System Diagrams



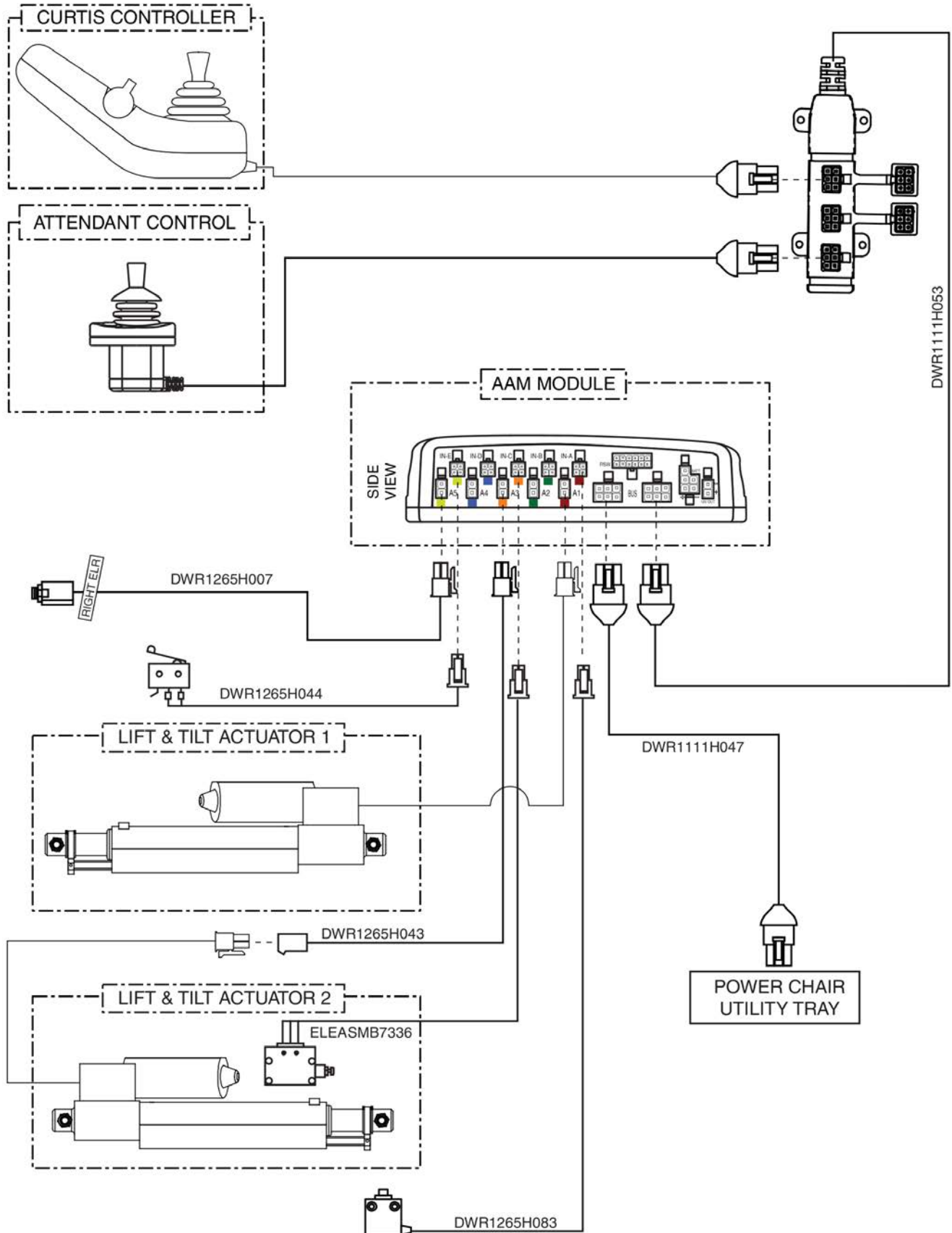
This page intentionally left blank

Electrical System Diagrams



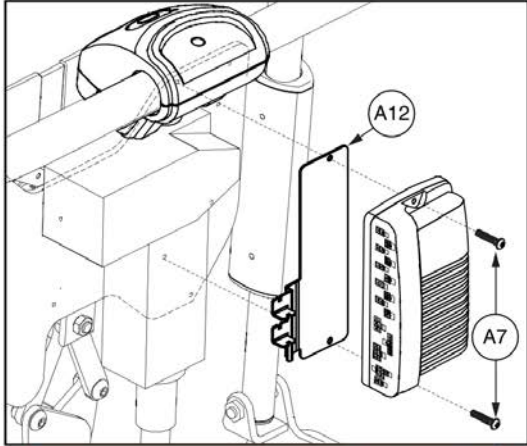
This page intentionally left blank

Electrical System Diagrams



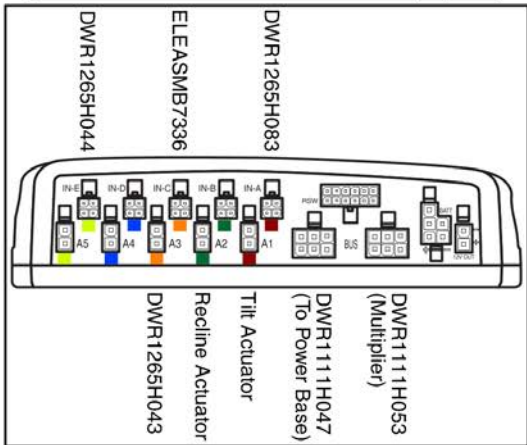
This page intentionally left blank

5. Lift, Tilt, & Recline



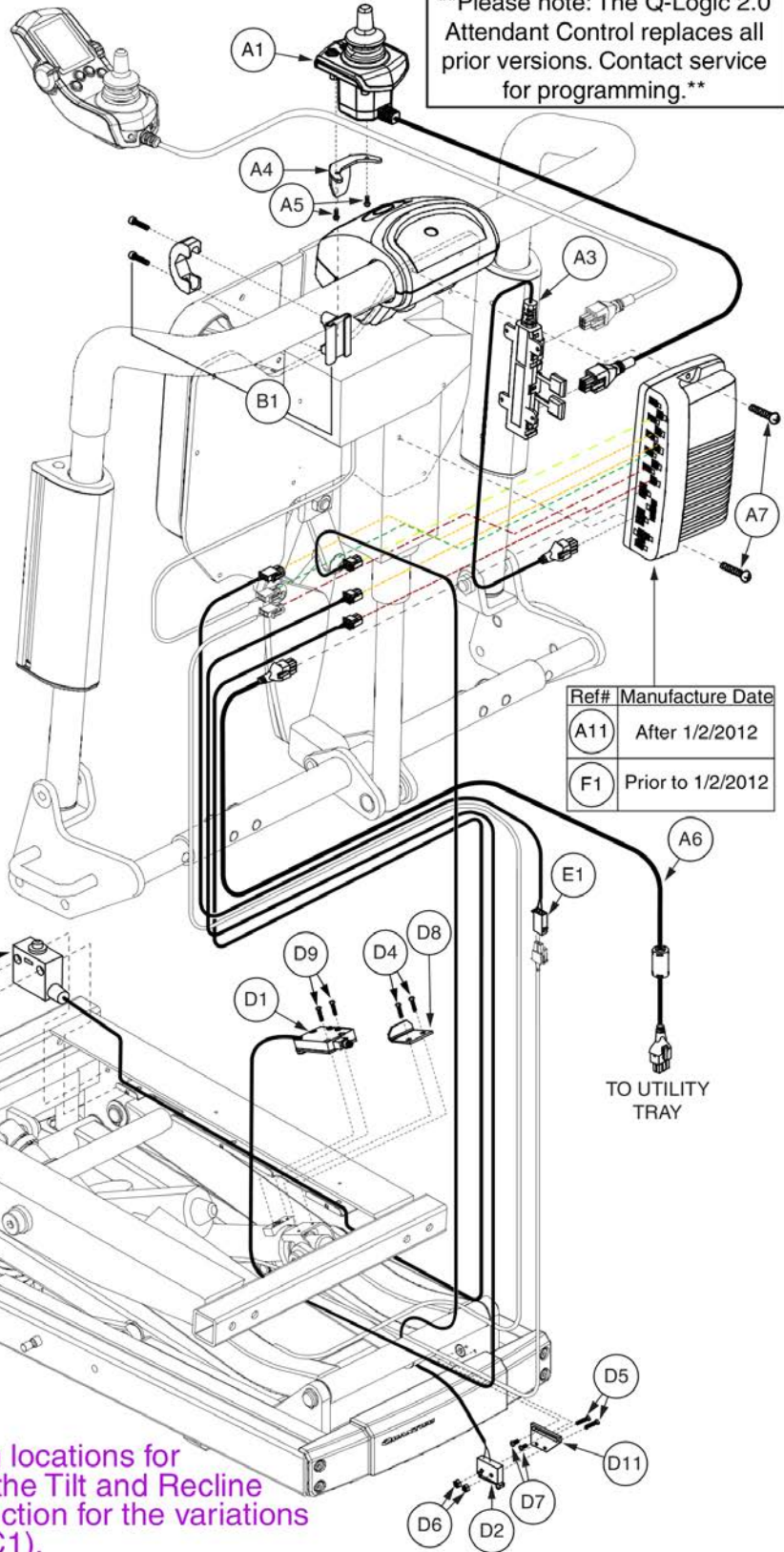
Actuator Module (AAM) Replacement

Please note: Units manufactured prior to January 2, 2012, REQUIRE the selection of ELEASMB7110121 (F1).



Attendant Control Replacement

Please note: The Q-Logic 2.0 Attendant Control replaces all prior versions. Contact service for programming.

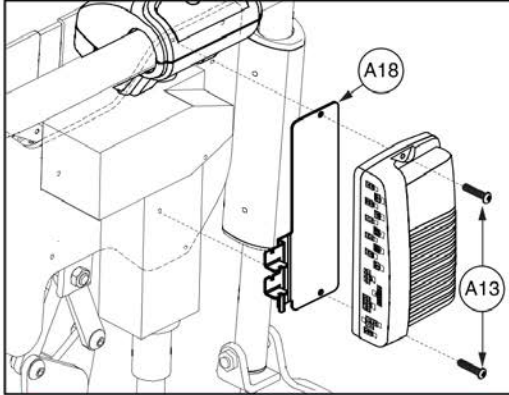


| Ref# | Manufacture Date |
|------|-------------------|
| A11 | After 1/2/2012 |
| F1 | Prior to 1/2/2012 |

**NOTE: There are multiple mounting locations for the Multiplier Harness (A3). Refer to the Tilt and Recline Multiplier and Top Cover Mounting section for the variations and the mounting of the Top Cover (C1).

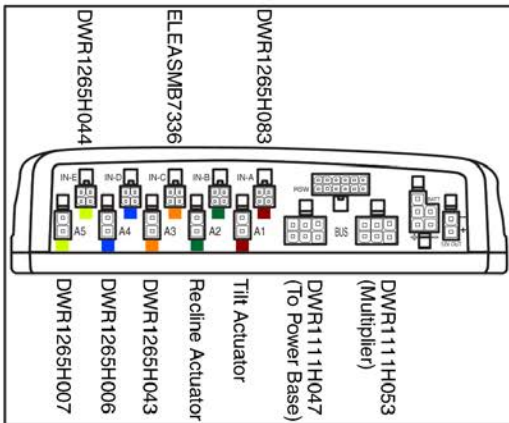
| Item | Part No. | Name | Qty |
|---------|----------------|---|-----|
| A1 - C1 | ELEASMB6096 | TB2, Q-LOGIC/AAM, LIFT/TILT/RECLINE,(CONFIGURATION # 44) | 1 |
| A1 | CTL137822 | CONTROLLER,ATTENDANT CONTROL MODULE 2.0,Q-LOGIC 2 | 1 |
| A2 | | TIE WRAP,BLACK,18 1/2" | 4 |
| A3 | DWR1111H053 | HARNESS,MULTIPLIER BOX,0.3 METER,H-1111-053,(CURTIS: 17869700) | 1 |
| A4 | DWR1010D298 | MOUNTING BRACKET,ATTENDANT BRACKET,CURTIS STAND ALONE JOYSTICK,D-1010-298 | 1 |
| A5 | SCRPPH1165 | SCREW,PPH,BLACK ZINC,M4-.7 X 8MM,P-TYPE | 2 |
| A6 | DWR1111H047 | HARNESS,BUS CABLE,1.0 METER,FEMALE/FEMALE,H-1111-047,(CURTIS:17881302) | 1 |
| A7 | SCRPPH1080 | SCREW,PPH,BLACK ZINC,8-32 X 0.75" | 2 |
| A8 | ELESWRP1008 | ELECTRONIC,WRAP,0.375" DIA. X 26" LONG,SPIRAL | 2 |
| A9 | PLSTIE1004 | TIE WRAP,BLACK,8" | 10 |
| A10 | SCRPPH1031 | SCREW, PPH,BLACK ZINC,4-40 X 3/8" | 2 |
| A11 | ELEASMB6108 | Q-LOGIC AAM MODULE ASSY,LIFT/TILT/RECLINE,(CONFIG #44) | 1 |
| A12 | MEC138556 | BRACKET,STRAIN RELIEF,AAM | 1 |
| B1 | FRMASMB10455 | MOUNTING BRACKET,ASSY,ATTENDANT CONTROL,C-1010-285 | 1 |
| C1 | PLSASMB2069 | PLASTIC,ASSY,CURTIS/AAM,TRU-BALANCE 2 POWER RECLINE | 1 |
| D1 | ELEASMB7336 | ELECTRONIC,ASSY,ELEVATE INHIBIT SWITCH BOX,TRU-BALANCE 2 POWER LIFT & TILT,C-1290-088 | 1 |
| D2 | DWR1265H044 | ELECTRONIC,HARNESS,MICROSWITCH INHIBIT,TB2 LIFT & TILT | 1 |
| D3 | DWR1265H083 | ELECTRONIC,HARNESS,ACTUATOR LIMIT SWITCH,Q-LOGIC,TRUBALANCE 2 LIFT & TILT,H-1265-083 | 1 |
| D4 | SCRPPH1419 | SCREW,PPH,STEEL,ZINC,4-40 X 0.50",B-1005-262 | 2 |
| D5 | SCRPFH1076 | SCREW,PFH,STAINLESS STEEL,2-56 X 0.50" | 2 |
| D6 | NUTNYLK1106 | NUT,NYLOCK,BLACK ZINC,2-56,GRADE 2 | 2 |
| D7 | SCRPPH1290 | SCREW,PPH,BLACK ZINC,4-40 X 0.25" | 2 |
| D8 | DWR1290C085 | ADJUSTMENT PLATE,ELEVATE INHIBIT,TB2 LIFT & TILT | 1 |
| D9 | SCRPFH1083 | SCREW,PFH,UNDERCUT,STAINLESS STEEL,4-40 X 0.50",B-1005-263 | 2 |
| D10 | SCRASBH1277 | SCREW,BHSCS,BLACK ZINC,10-32 X 0.750",W/PATCH | 2 |
| D11 | DWR1291B012 | INHIBIT SWITCH SUPPORT,B-1291-012 | 1 |
| E1 | DWR1265H043 | EXTENSION HARNESS,Q-LOGIC LIFT & TILT,H-1265-043 | 1 |
| F1 | ELEASMB7110121 | Q-LOGIC AAM MODULE (FW 1.45), W/PROGRAMMING,LIFT/TILT/RECLINE,(CONFIGURATION # 44) | 1 |

5. Lift, Tilt, & Recline



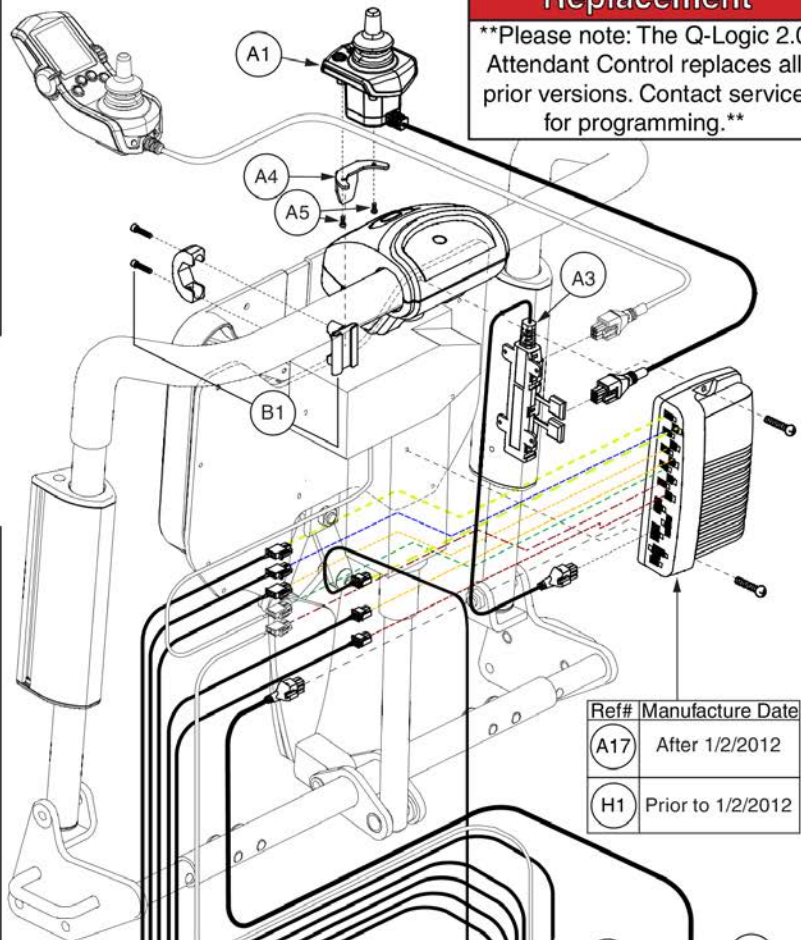
Actuator Module (AAM) Replacement

****Please note: Units manufactured prior to January 2, 2012, REQUIRE the selection of ELEASMB7110123 (H1).****

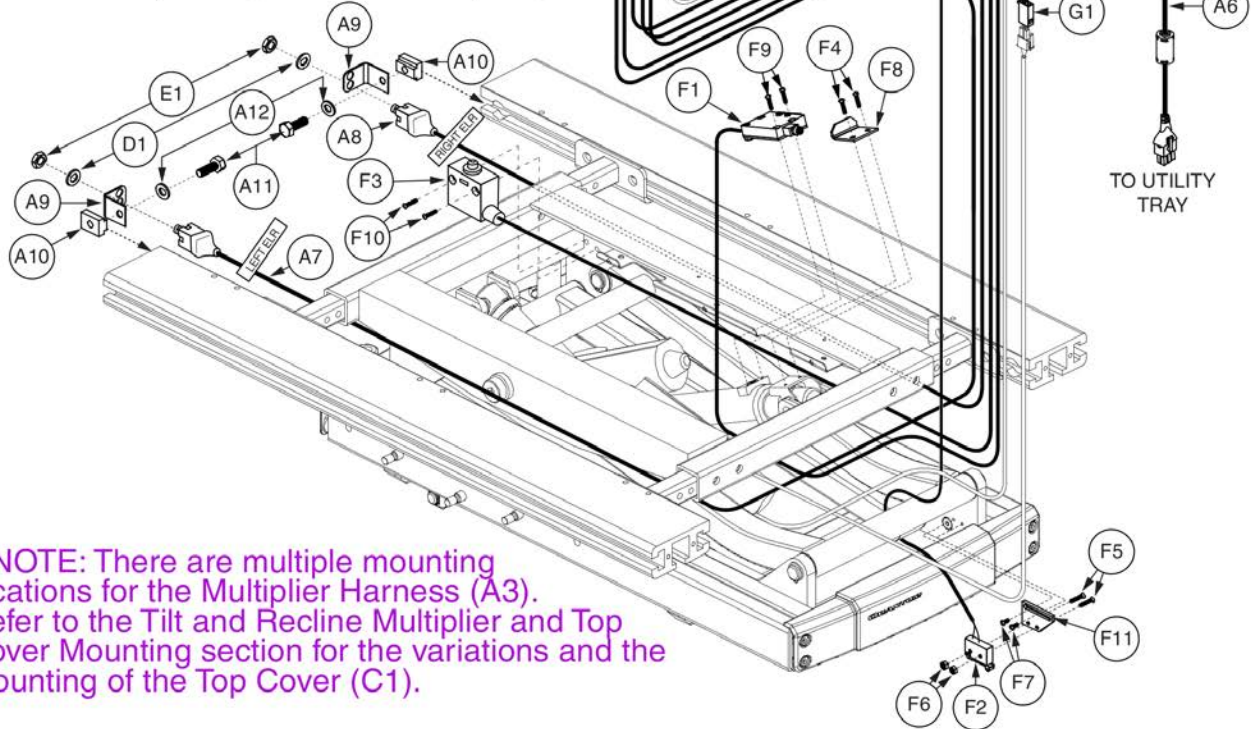


Attendant Control Replacement

****Please note: The Q-Logic 2.0 Attendant Control replaces all prior versions. Contact service for programming.****

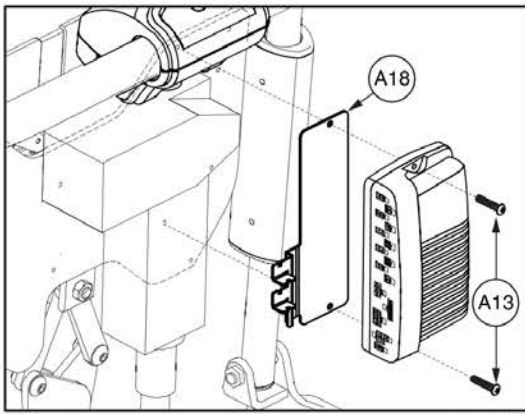


| Ref# | Manufacture Date |
|------|-------------------|
| A17 | After 1/2/2012 |
| H1 | Prior to 1/2/2012 |



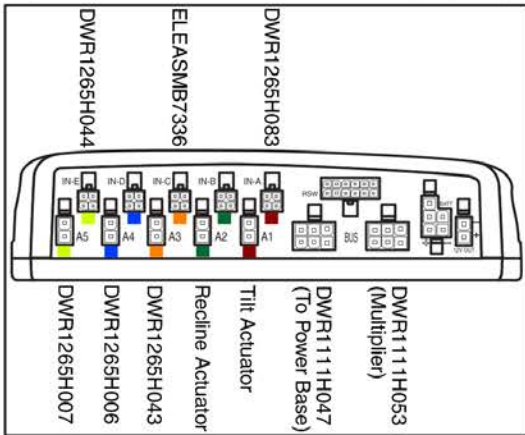
****NOTE: There are multiple mounting locations for the Multiplier Harness (A3). Refer to the Tilt and Recline Multiplier and Top Cover Mounting section for the variations and the mounting of the Top Cover (C1).**

| Item | Part No. | Name | Qty |
|---------|--------------|---|-----|
| A1 - C1 | ELEASMB6097 | ELECTRONIC,ASSY,Q-LOGIC/AAM,TB2 LIFT TILT & RECLINE,LIFT/TILT/RECLINE W/SYNCH. INDEPENDENT LEGS,(CONFIG#45) | 1 |
| A1 | CTL137822 | CONTROLLER,ATTENDANT CONTROL MODULE 2.0,Q-LOGIC 2 | 1 |
| A2 | | TIE WRAP,BLACK,18 1/2" | 4 |
| A3 | DWR1111H053 | HARNESS,MULTIPLIER BOX,0.3 METER,H-1111-053,(CURTIS: 17869700) | 1 |
| A4 | DWR1010D298 | MOUNTING BRACKET,ATTENDANT BRACKET,CURTIS STAND ALONE JOYSTICK,D-1010-298 | 1 |
| A5 | SCRPPH1165 | SCREW,PPH,BLACK ZINC,M4-.7 X 8MM,P-TYPE | 2 |
| A6 | DWR1111H047 | HARNESS,BUS CABLE,1.0 METER,FEMALE/FEMALE,H-1111-047,(CURTIS:17881302) | 1 |
| A7 | DWR1265H006 | ELECTRONIC,HARNESS,INDEPENDENT ELR,CURTIS,TRU-BALANCE TILT 2,LEFT,H-1265-006 | 1 |
| A8 | DWR1265H007 | ELECTRONIC,HARNESS,INDEPENDENT ELR,CURTIS,TRU-BALANCE TILT 2,RIGHT,H-1265-007 | 1 |
| A9 | DWR1303B026 | ELECTRICAL CONNECTION BRACKET,ARTICULATING LEGREST | 2 |
| A10 | NUT8120005 | NUT,T-SLOT,BLACK,M8-1.25 | 2 |
| A11 | SCRHHCS1382 | SCREW,HHCS,BLACK ZINC CHROMATE,M8-1.25 X 12MM,10.9 | 2 |
| A12 | WASSTND1002 | WASHER,FLAT,BLACK ZINC,0.3125" ID X 0.6875" OD X 0.0625" TH | 2 |
| A13 | SCRPPH1080 | SCREW,PPH,BLACK ZINC,8-32 X 0.75" | 2 |
| A14 | ELESWRP1008 | ELECTRONIC,WRAP,0.375" DIA. X 26" LONG,SPIRAL | 2 |
| A15 | PLSTIE1004 | TIE WRAP,BLACK,8" | 10 |
| A16 | SCRPPH1031 | SCREW, PPH,BLACK ZINC,4-40 X 3/8" | 2 |
| A17 | ELEASMB6109 | Q-LOGIC AAM,LIFT/TILT/RECL W/IND. LEGS,(CONFIG#45) | 1 |
| A18 | MEC138556 | BRACKET,STRAIN RELIEF,AAM | 1 |
| B1 | FRMASMB10455 | MOUNTING BRACKET,ASSY,ATTENDANT CONTROL,C-1010-285 | 1 |
| C1 | PLSASMB2069 | PLASTIC,ASSY,CURTIS/AAM,TRU-BALANCE 2 POWER RECLINE | 1 |
| D1 | WASSTND1155 | WASHER,FLAT,STAINLESS STEEL,.375"ID X .615"OD X .025"TH | 2 |
| E1 | NUTJAM1032 | NUT,JAM,THIN,STAINLESS STEEL,3/8-32 | 2 |
| F1 | ELEASMB7336 | ELECTRONIC,ASSY,ELEVATE INHIBIT SWITCH BOX,TRU-BALANCE 2 POWER LIFT & TILT,C-1290-088 | 1 |
| F2 | DWR1265H044 | ELECTRONIC,HARNESS,MICROSWITCH INHIBIT,TB2 LIFT & TILT | 1 |
| F3 | DWR1265H083 | ELECTRONIC,HARNESS,ACTUATOR LIMIT SWITCH,Q-LOGIC,TRUBALANCE 2 LIFT & TILT,H-1265-083 | 1 |
| F4 | SCRPPH1419 | SCREW,PPH,STEEL,ZINC,4-40 X 0.50",B-1005-262 | 2 |
| F5 | SCRPFH1076 | SCREW,PFH,STAINLESS STEEL,2-56 X 0.50" | 2 |
| F6 | NUTNYLK1106 | NUT,NYLOCK,BLACK ZINC,2-56,GRADE 2 | 2 |
| F7 | SCRPPH1290 | SCREW,PPH,BLACK ZINC,4-40 X 0.25" | 2 |
| F8 | DWR1290C085 | ADJUSTMENT PLATE,ELEVATE INHIBIT,TB2 LIFT & TILT | 1 |
| F9 | SCRPFH1083 | SCREW,PFH,UNDERCUT,STAINLESS STEEL,4-40 X 0.50",B-1005-263 | 2 |
| F10 | SCRASBH1277 | SCREW,BHSCS,BLACK ZINC,10-32 X 0.750",W/PATCH | 2 |
| F11 | DWR1291B012 | INHIBIT SWITCH SUPPORT,B-1291-012 | 1 |
| G1 | DWR1265H043 | EXTENSION HARNESS,Q-LOGIC LIFT & TILT,H-1265-043 | 1 |



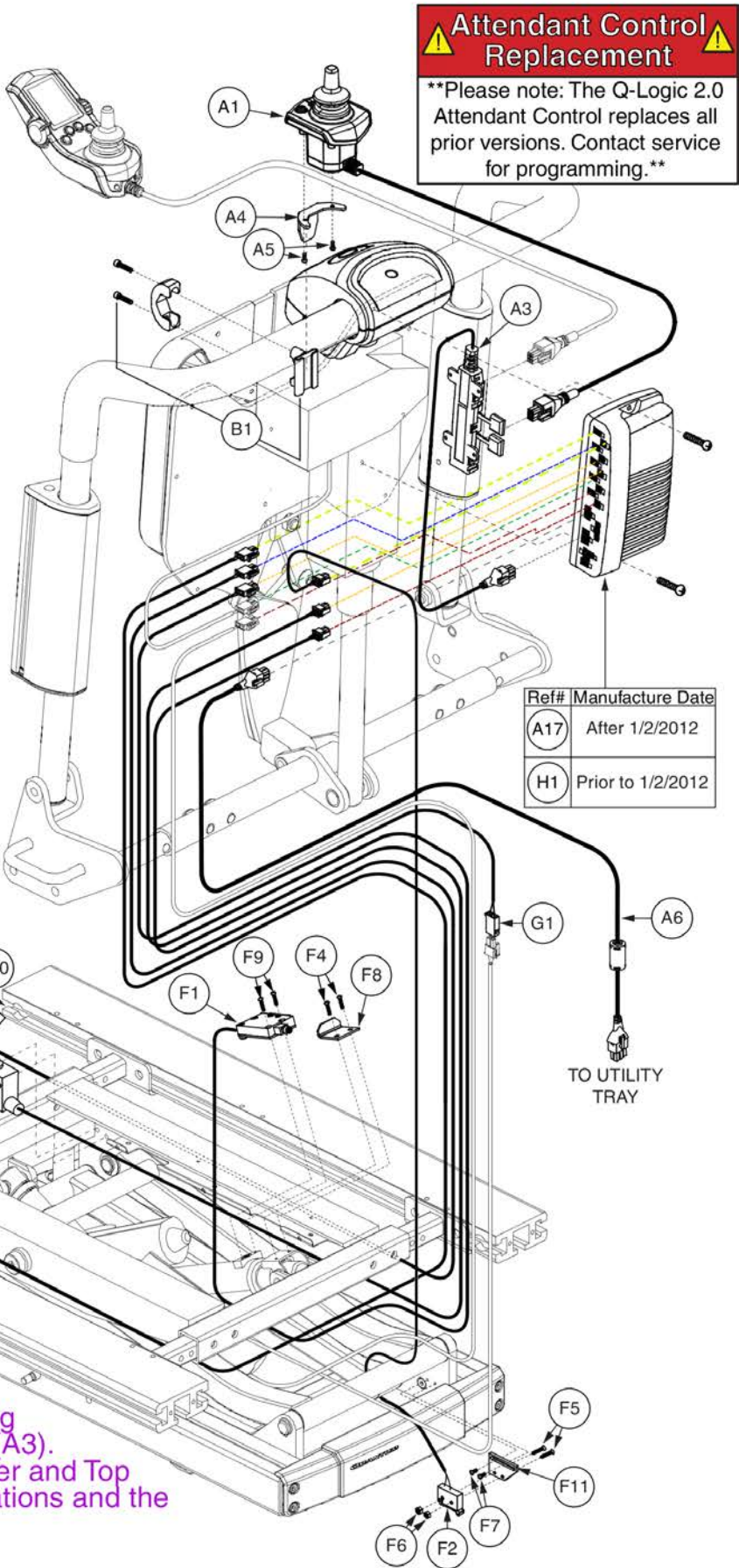
Actuator Module (AAM) Replacement

Please note: Units manufactured prior to January 2, 2012, REQUIRE the selection of ELEASMB7110123 (H1).



Attendant Control Replacement

Please note: The Q-Logic 2.0 Attendant Control replaces all prior versions. Contact service for programming.

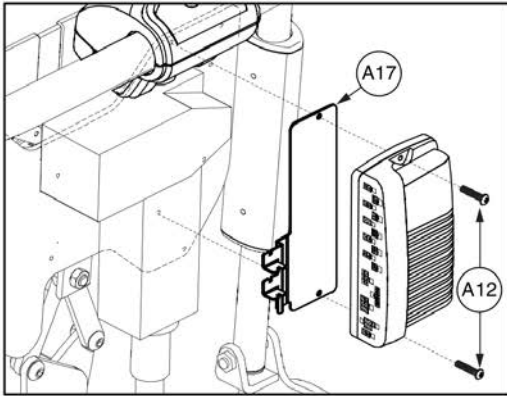


| Ref# | Manufacture Date |
|------|-------------------|
| A17 | After 1/2/2012 |
| H1 | Prior to 1/2/2012 |

**NOTE: There are multiple mounting locations for the Multiplier Harness (A3). Refer to the Tilt and Recline Multiplier and Top Cover Mounting section for the variations and the mounting of the Top Cover (C1).

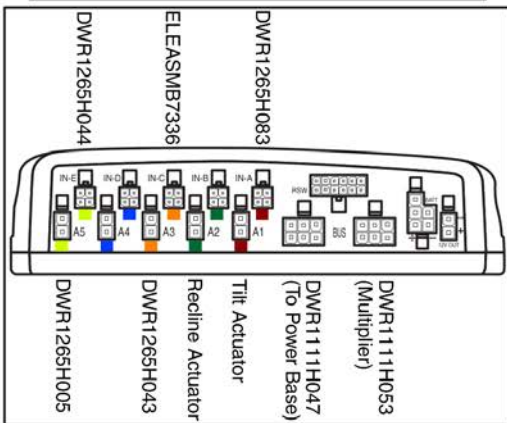
| Item | Part No. | Name | Qty |
|------|----------------|--|-----|
| H1 | ELEASMB7110123 | Q-LOGIC AAM(FW 1.45),LIFT/TILT/RECL. W/IND. LEGS,(CONFIG#45) | 1 |

5. Lift, Tilt, & Recline



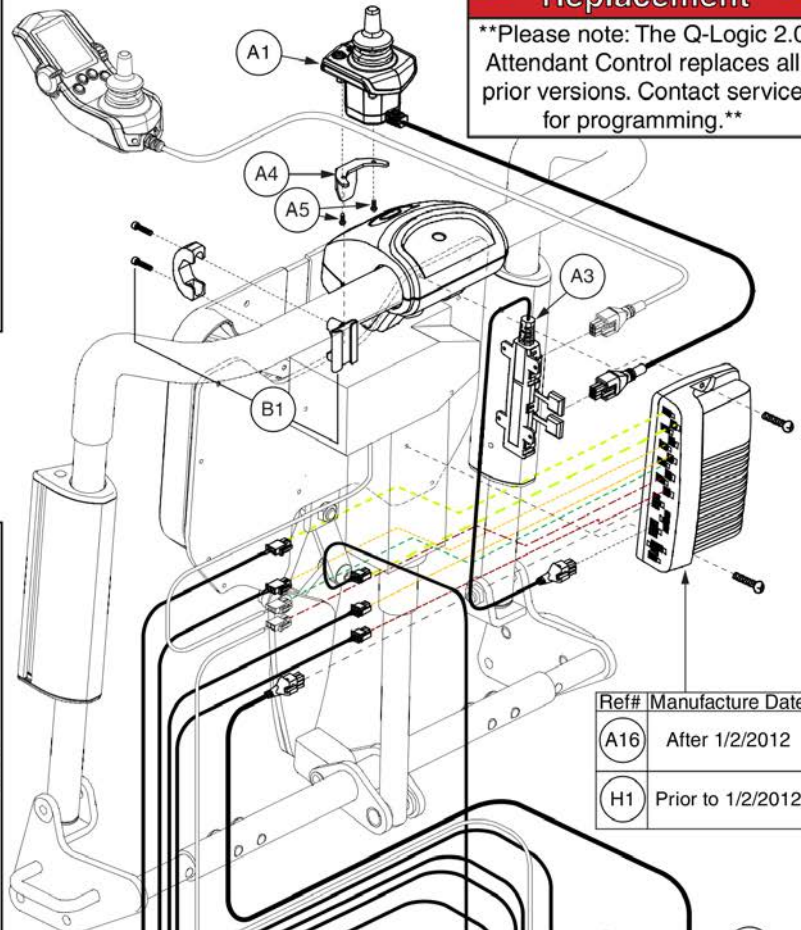
Actuator Module (AAM) Replacement

****Please note: Units manufactured prior to January 2, 2012, REQUIRE the selection of ELEASMB7110125 (H1).****

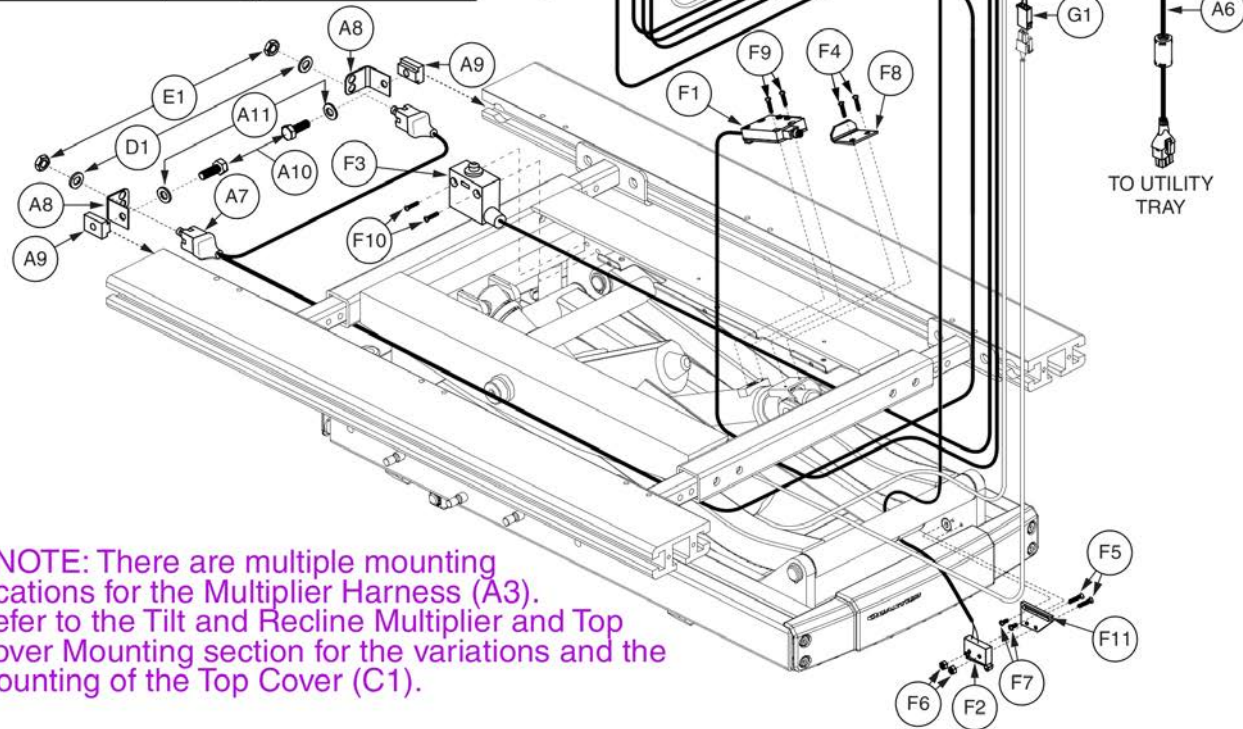


Attendant Control Replacement

****Please note: The Q-Logic 2.0 Attendant Control replaces all prior versions. Contact service for programming.****



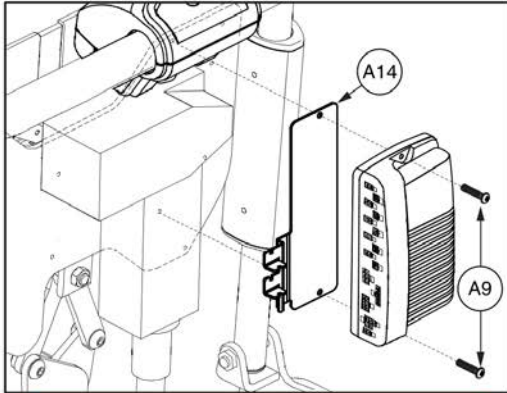
| Ref# | Manufacture Date |
|------|-------------------|
| A16 | After 1/2/2012 |
| H1 | Prior to 1/2/2012 |



****NOTE: There are multiple mounting locations for the Multiplier Harness (A3). Refer to the Tilt and Recline Multiplier and Top Cover Mounting section for the variations and the mounting of the Top Cover (C1).**

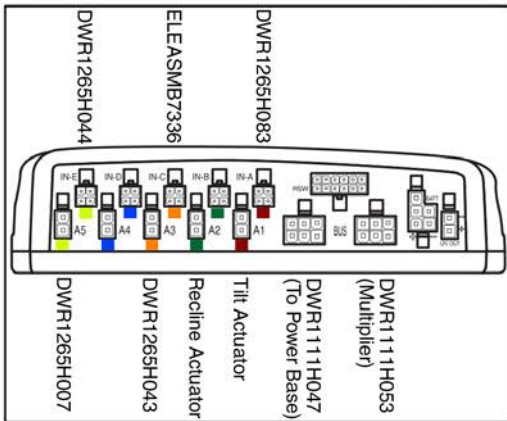
| Item | Part No. | Name | Qty |
|---------|----------------|---|-----|
| A1 - C1 | ELEASMB6098 | ELECTRONIC,ASSY,Q-LOGIC/AAM,TB2 LIFT TILT & RECL.,LIFT/TILT/RECL.W/IND. CONTROLLED COMB. LEGS,(CONFIG#46) | 1 |
| A1 | CTL137822 | CONTROLLER,ATTENDANT CONTROL MODULE 2.0,Q-LOGIC 2 | 1 |
| A2 | | TIE WRAP,BLACK,18 1/2" | 4 |
| A3 | DWR1111H053 | HARNESS,MULTIPLIER BOX,0.3 METER,H-1111-053,(CURTIS: 17869700) | 1 |
| A4 | DWR1010D298 | MOUNTING BRACKET,ATTENDANT BRACKET,CURTIS STAND ALONE JOYSTICK,D-1010-298 | 1 |
| A5 | SCRPPH1165 | SCREW,PPH,BLACK ZINC,M4-.7 X 8MM,P-TYPE | 2 |
| A6 | DWR1111H047 | HARNESS,BUS CABLE,1.0 METER,FEMALE/FEMALE,H-1111-047,(CURTIS:17881302) | 1 |
| A7 | DWR1265H005 | ELECTRONIC,HARNESS,COMBINED ELR,CURTIS,TRU-BALANCE TILT 2,H-1265-005 | 1 |
| A8 | DWR1303B026 | ELECTRICAL CONNECTION BRACKET,ARTICULATING LEGREST | 2 |
| A9 | NUT8120005 | NUT,T-SLOT,BLACK,M8-1.25 | 2 |
| A10 | SCRHHCS1382 | SCREW,HHCS,BLACK ZINC CHROMATE,M8-1.25 X 12MM,10.9 | 2 |
| A11 | WASSTND1002 | WASHER,FLAT,BLACK ZINC,0.3125" ID X 0.6875" OD X 0.0625" TH | 2 |
| A12 | SCRPPH1080 | SCREW,PPH,BLACK ZINC,8-32 X 0.75" | 2 |
| A13 | ELESWRP1008 | ELECTRONIC,WRAP,0.375" DIA. X 26" LONG,SPIRAL | 2 |
| A14 | PLSTIE1004 | TIE WRAP,BLACK,8" | 10 |
| A15 | SCRPPH1031 | SCREW, PPH,BLACK ZINC,4-40 X 3/8" | 2 |
| A16 | ELEASMB6110 | ELECTRONIC,ASSY,Q-LOGIC AAM MODULE,W/PROGRAM,TB2,LIFT/TILT/RECLINE W/COMBINED LEGS,(CONFIG #46) | 1 |
| A17 | MEC138556 | BRACKET,STRAIN RELIEF,AAM | 1 |
| B1 | FRMASMB10455 | MOUNTING BRACKET,ASSY,ATTENDANT CONTROL,C-1010-285 | 1 |
| C1 | PLSASMB2069 | PLASTIC,ASSY,CURTIS/AAM,TRU-BALANCE 2 POWER RECLINE | 1 |
| D1 | WASSTND1155 | WASHER,FLAT,STAINLESS STEEL,.375"ID X .615"OD X .025"TH | 2 |
| E1 | NUTJAM1032 | NUT,JAM,THIN,STAINLESS STEEL,3/8-32 | 2 |
| F1 | ELEASMB7336 | ELECTRONIC,ASSY,ELEVATE INHIBIT SWITCH BOX,TRU-BALANCE 2 POWER LIFT & TILT,C-1290-088 | 1 |
| F2 | DWR1265H044 | ELECTRONIC,HARNESS,MICROSWITCH INHIBIT,TB2 LIFT & TILT | 1 |
| F3 | DWR1265H083 | ELECTRONIC,HARNESS,ACTUATOR LIMIT SWITCH,Q-LOGIC,TRUBALANCE 2 LIFT & TILT,H-1265-083 | 1 |
| F4 | SCRPPH1419 | SCREW,PPH,STEEL,ZINC,4-40 X 0.50",B-1005-262 | 2 |
| F5 | SCRPFH1076 | SCREW,PFH,STAINLESS STEEL,2-56 X 0.50" | 2 |
| F6 | NUTNYLK1106 | NUT,NYLOCK,BLACK ZINC,2-56,GRADE 2 | 2 |
| F7 | SCRPPH1290 | SCREW,PPH,BLACK ZINC,4-40 X 0.25" | 2 |
| F8 | DWR1290C085 | ADJUSTMENT PLATE,ELEVATE INHIBIT,TB2 LIFT & TILT | 1 |
| F9 | SCRPFH1083 | SCREW,PFH,UNDERCUT,STAINLESS STEEL,4-40 X 0.50",B-1005-263 | 2 |
| F10 | SCRASBH1277 | SCREW,BHSCS,BLACK ZINC,10-32 X 0.750",W/PATCH | 2 |
| F11 | DWR1291B012 | INHIBIT SWITCH SUPPORT,B-1291-012 | 1 |
| G1 | DWR1265H043 | EXTENSION HARNESS,Q-LOGIC LIFT & TILT,H-1265-043 | 1 |
| H1 | ELEASMB7110125 | ELECTRONIC,ASSY,Q-LOGIC AAM MODULE(FW 1.45),W/PROGRAM,TB2,LIFT/TILT/RECLINE W/COMB. LEGS,(CONFIG #46) | 1 |

5. Lift, Tilt, & Recline



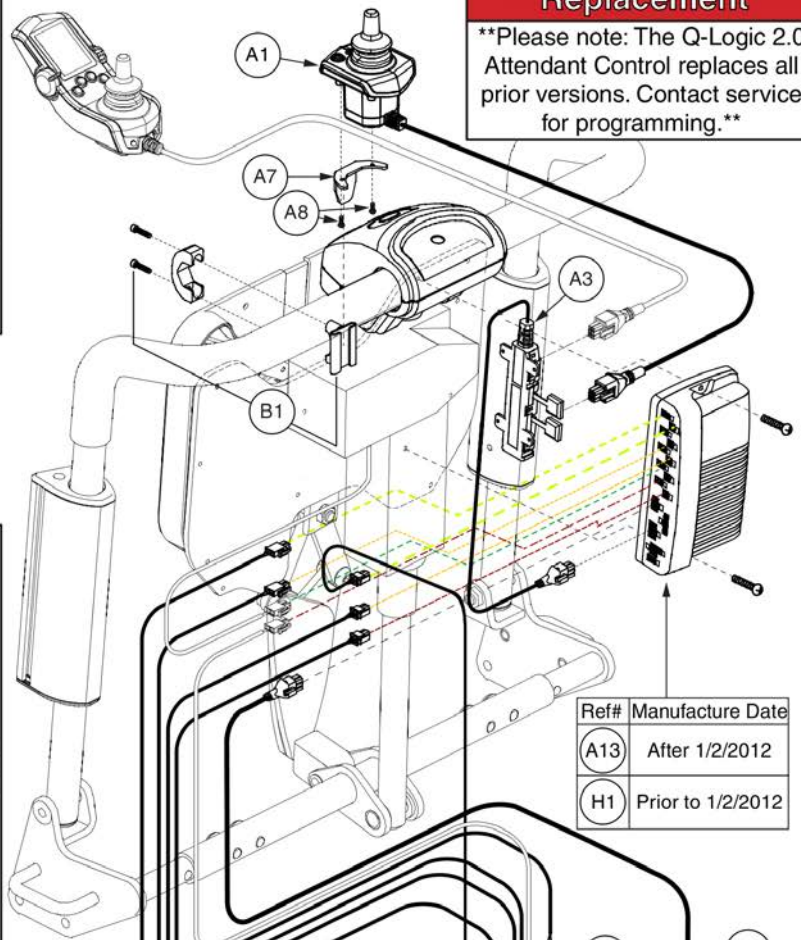
Actuator Module (AAM) Replacement

Please note: Units manufactured prior to January 2, 2012, REQUIRE the selection of ELEASMB7110127 (H1).

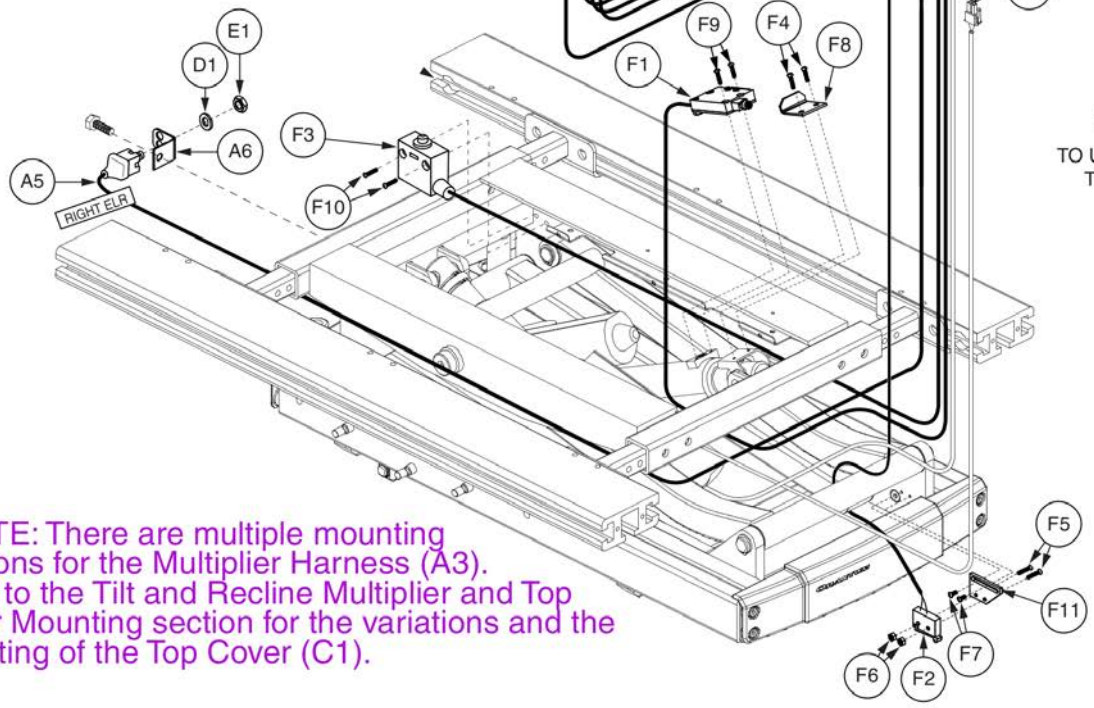


Attendant Control Replacement

Please note: The Q-Logic 2.0 Attendant Control replaces all prior versions. Contact service for programming.



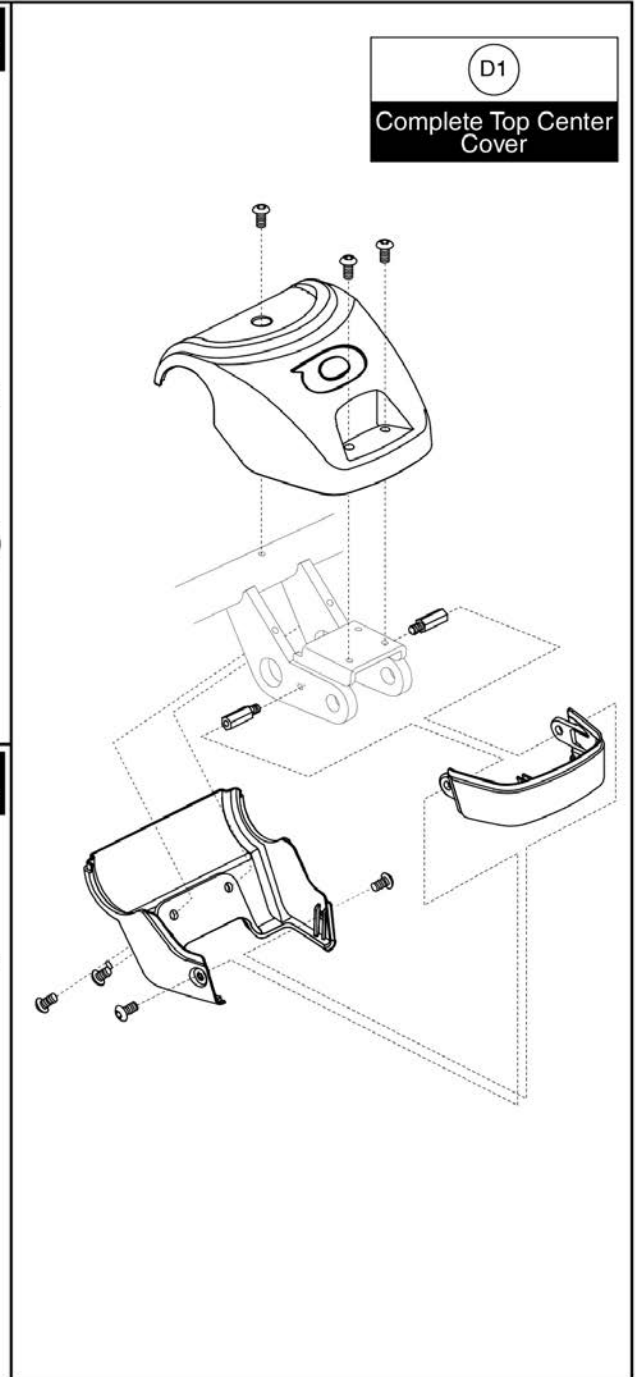
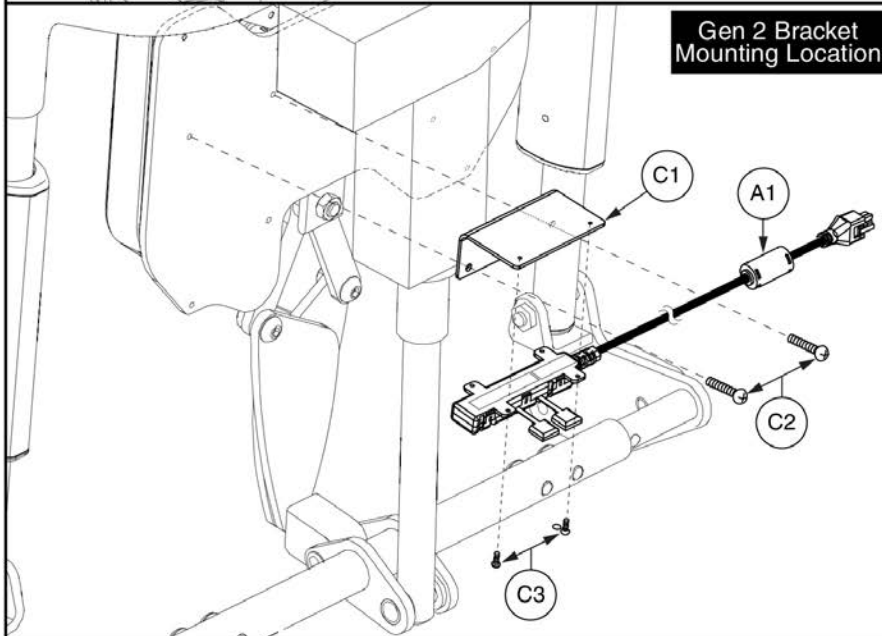
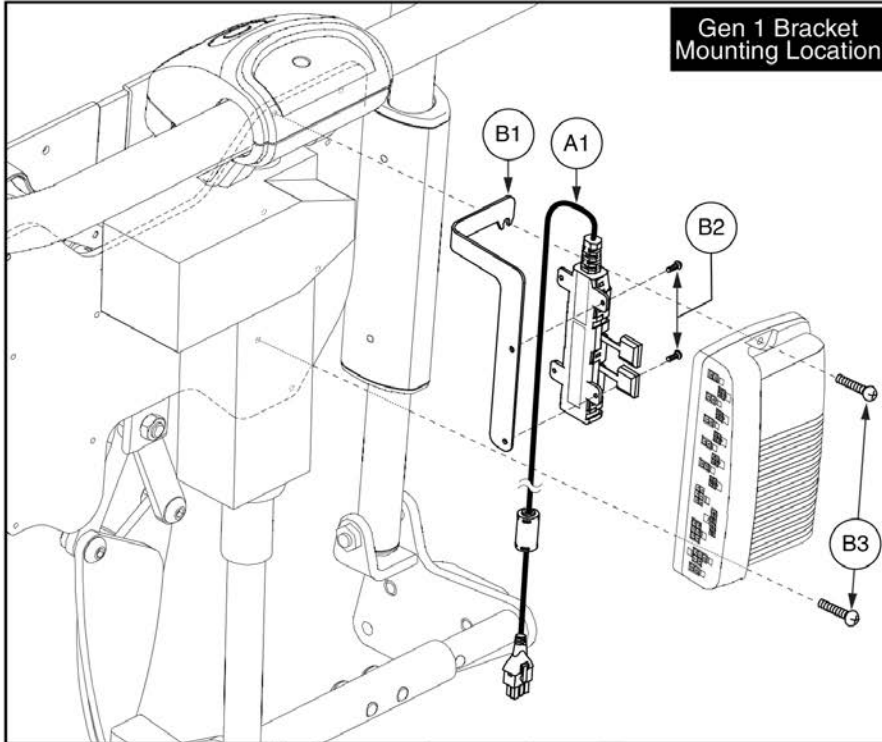
| Ref# | Manufacture Date |
|------|-------------------|
| A13 | After 1/2/2012 |
| H1 | Prior to 1/2/2012 |



**NOTE: There are multiple mounting locations for the Multiplier Harness (A3). Refer to the Tilt and Recline Multiplier and Top Cover Mounting section for the variations and the mounting of the Top Cover (C1).

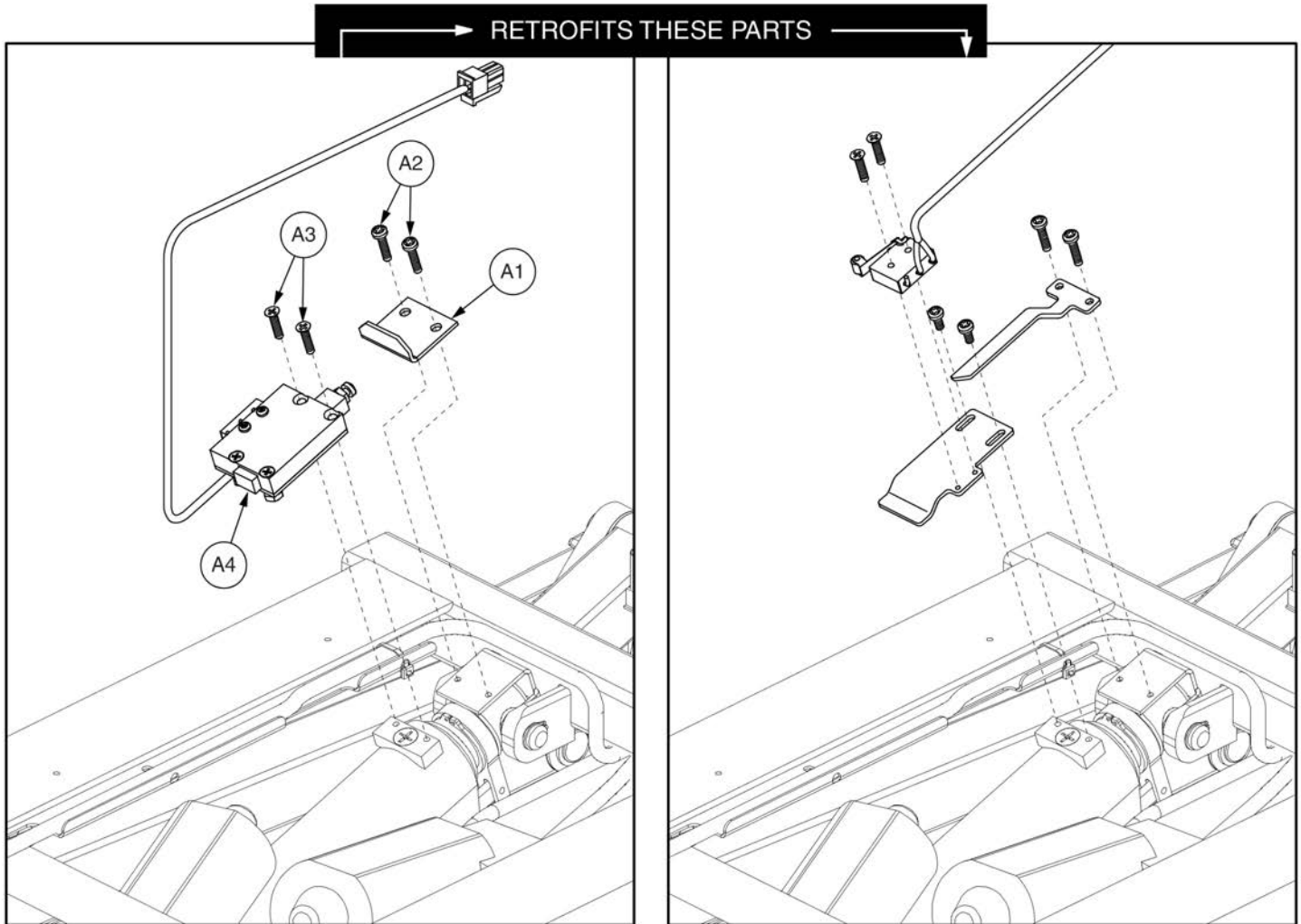
| Item | Part No. | Name | Qty |
|---------|----------------|---|-----|
| A1 - C1 | ELEASMB6099 | ELECTRONIC,ASSY,Q-LOGIC/AAM,TB2 LIFT TILT & RECL.,LIFT/TILT/RECL.,W/POWER ART. FOOT PLATFORM,(CONFIG#47) | 1 |
| A1 | CTL137822 | CONTROLLER,ATTENDANT CONTROL MODULE 2.0,Q-LOGIC 2 | 1 |
| A2 | | TIE WRAP,BLACK,18 1/2" | 4 |
| A3 | DWR1111H053 | HARNESS,MULTIPLIER BOX,0.3 METER,H-1111-053,(CURTIS: 17869700) | 1 |
| A4 | DWR1111H047 | HARNESS,BUS CABLE,1.0 METER,FEMALE/FEMALE,H-1111-047,(CURTIS:17881302) | 1 |
| A5 | DWR1265H007 | ELECTRONIC,HARNESS,INDEPENDENT ELR,CURTIS,TRU-BALANCE TILT 2,RIGHT,H-1265-007 | 1 |
| A6 | DWR1303B026 | ELECTRICAL CONNECTION BRACKET,ARTICULATING LEGREST | 1 |
| A7 | DWR1010D298 | MOUNTING BRACKET,ATTENDANT BRACKET,CURTIS STAND ALONE JOYSTICK,D-1010-298 | 1 |
| A8 | SCRPPH1165 | SCREW,PPH,BLACK ZINC,M4-.7 X 8MM,P-TYPE | 2 |
| A9 | SCRPPH1080 | SCREW,PPH,BLACK ZINC,8-32 X 0.75" | 2 |
| A10 | ELESWRP1008 | ELECTRONIC,WRAP,0.375" DIA. X 26" LONG,SPIRAL | 2 |
| A11 | PLSTIE1004 | TIE WRAP,BLACK,8" | 10 |
| A12 | SCRPPH1031 | SCREW, PPH,BLACK ZINC,4-40 X 3/8" | 2 |
| A13 | ELEASMB6111 | ELECTRONIC,ASSY,Q-LOGIC AAM MODULE,W/PROGRAM,TB2,LIFT/TILT/RECLINE,W/POWER FOOT PLATFORM,(CONFIG#47) | 1 |
| A14 | MEC138556 | BRACKET,STRAIN RELIEF,AAM | 1 |
| B1 | FRMASMB10455 | MOUNTING BRACKET,ASSY,ATTENDANT CONTROL,C-1010-285 | 1 |
| C1 | PLSASMB2069 | PLASTIC,ASSY,CURTIS/AAM,TRU-BALANCE 2 POWER RECLINE | 1 |
| D1 | WASSTND1155 | WASHER,FLAT,STAINLESS STEEL,.375"ID X .615"OD X .025"TH | 1 |
| E1 | NUTJAM1032 | NUT,JAM,THIN,STAINLESS STEEL,3/8-32 | 1 |
| F1 | ELEASMB7336 | ELECTRONIC,ASSY,ELEVATE INHIBIT SWITCH BOX,TRU-BALANCE 2 POWER LIFT & TILT,C-1290-088 | 1 |
| F2 | DWR1265H044 | ELECTRONIC,HARNESS,MICROSWITCH INHIBIT,TB2 LIFT & TILT | 1 |
| F3 | DWR1265H083 | ELECTRONIC,HARNESS,ACTUATOR LIMIT SWITCH,Q-LOGIC,TRUBALANCE 2 LIFT & TILT,H-1265-083 | 1 |
| F4 | SCRPPH1419 | SCREW,PPH,STEEL,ZINC,4-40 X 0.50",B-1005-262 | 2 |
| F5 | SCRPFH1076 | SCREW,PFH,STAINLESS STEEL,2-56 X 0.50" | 2 |
| F6 | NUTNYLK1106 | NUT,NYLOCK,BLACK ZINC,2-56,GRADE 2 | 2 |
| F7 | SCRPPH1290 | SCREW,PPH,BLACK ZINC,4-40 X 0.25" | 2 |
| F8 | DWR1290C085 | ADJUSTMENT PLATE,ELEVATE INHIBIT,TB2 LIFT & TILT | 1 |
| F9 | SCRPFH1083 | SCREW,PFH,UNDERCUT,STAINLESS STEEL,4-40 X 0.50",B-1005-263 | 2 |
| F10 | SCRASBH1277 | SCREW,BHSCS,BLACK ZINC,10-32 X 0.750",W/PATCH | 2 |
| F11 | DWR1291B012 | INHIBIT SWITCH SUPPORT,B-1291-012 | 1 |
| G1 | DWR1265H043 | EXTENSION HARNESS,Q-LOGIC LIFT & TILT,H-1265-043 | 1 |
| H1 | ELEASMB7110127 | ELECTRONIC,ASSY,Q-LOGIC AAM MODULE(FW1.45),W/PROGRAM,TB2,LIFT/TILT/RECL.,W/POWER FOOT PLATFORM,(CONFIG #47) | 1 |

5. Lift, Tilt, & Recline



| Item | Part No. | Name | Qty |
|------|-------------|---|-----|
| A1 | DWR1111H053 | HARNES,MULTIPLIER BOX,0.3 METER,H-1111-053,(CURTIS: 17869700) | 1 |
| B1 | DWR1367D078 | MULTIPLIER BRACKET,TRU-BALANCE 2 POWER RECLINE | 1 |
| B2 | SCRPPH1031 | SCREW, PPH,BLACK ZINC,4-40 X 3/8" | 2 |
| B3 | SCRPPH1080 | SCREW,PPH,BLACK ZINC,8-32 X 0.75" | 2 |
| C1 | BRK8110019 | MULTIPLIER L-BRACKET,TRU-BALANCE 2 POWER RECLINE | 1 |
| C2 | SCRPPH1379 | SCREW,PPH,BLACK ZINC,8-32 X 0.375" | 2 |
| C3 | SCRPPH1031 | SCREW, PPH,BLACK ZINC,4-40 X 3/8" | 2 |
| D1 | PLSASMB2069 | PLASTIC,ASSY,CURTIS/AAM,TRU-BALANCE 2 POWER RECLINE | 1 |

5. Lift, Tilt, & Recline

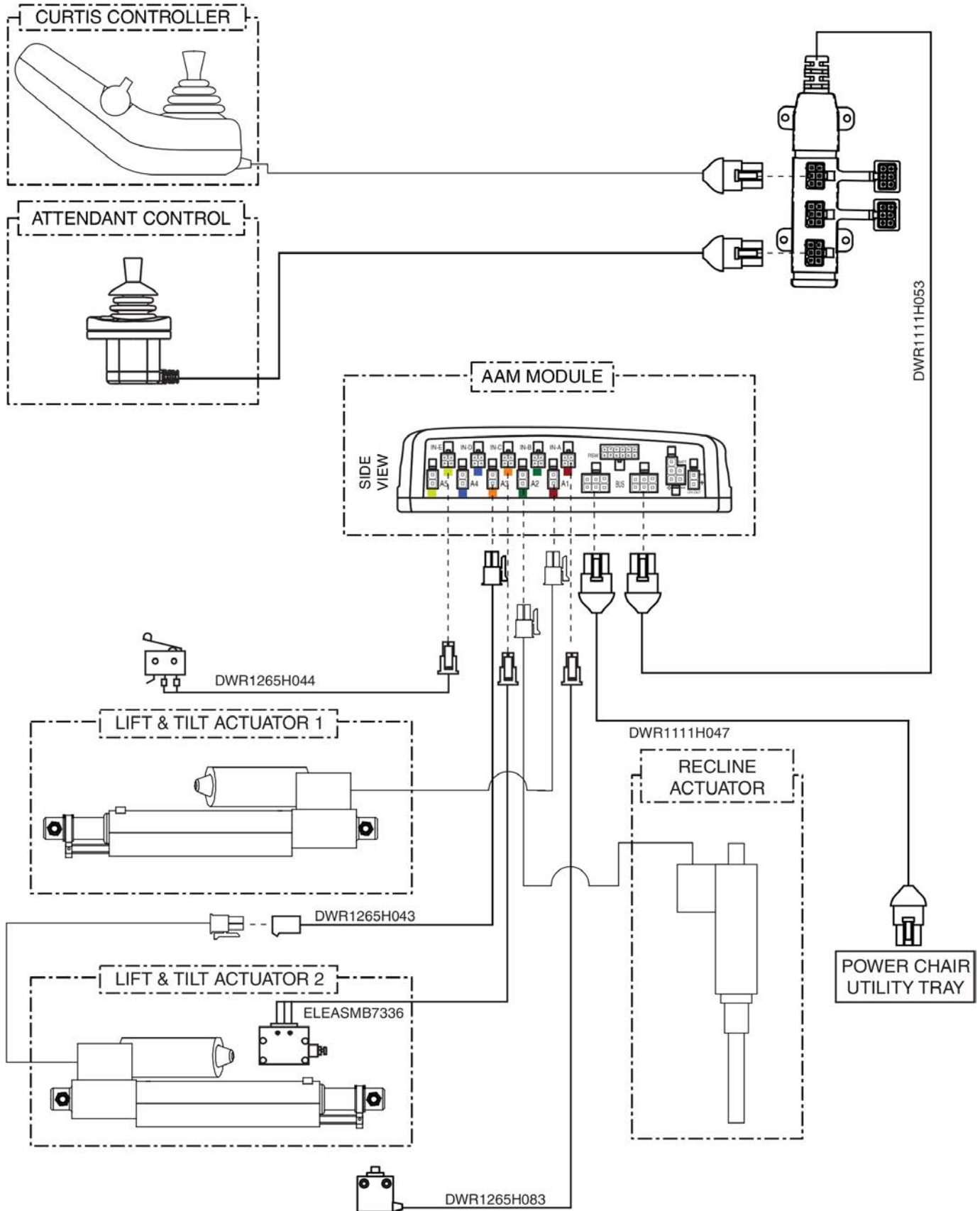


Elevate Inhibit Retro Kit, TB2 Lift and Tilt



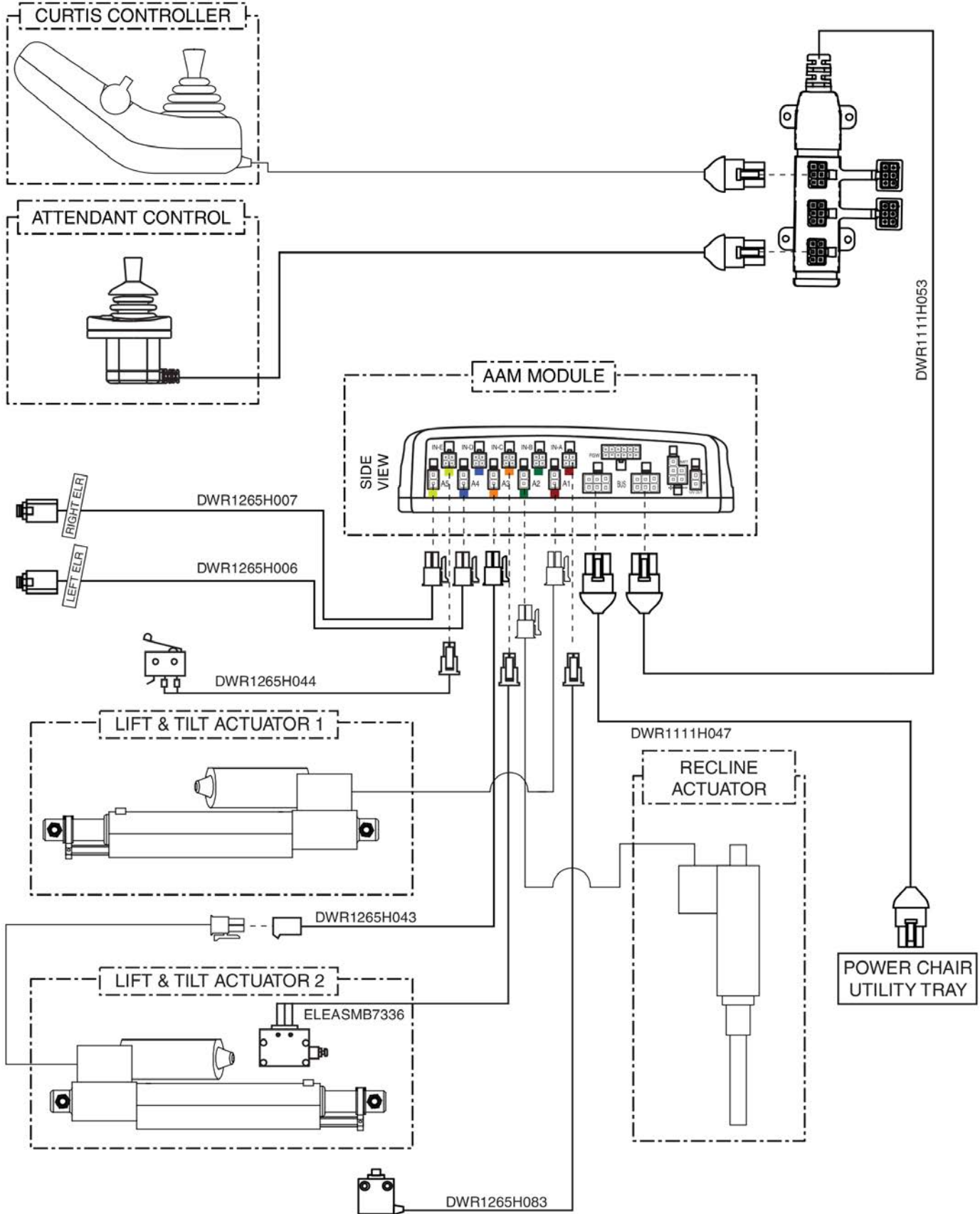
| Item | Part No. | Name | Qty |
|------|-------------|---|-----|
| A1 | DWR1290C085 | ADJUSTMENT PLATE,ELEVATE INHIBIT,TB2 LIFT & TILT | 1 |
| A2 | SCRPPH1419 | SCREW,PPH,STEEL,ZINC,4-40 X 0.50",B-1005-262 | 2 |
| A3 | SCRPFH1083 | SCREW,PFH,UNDERCUT,STAINLESS STEEL,4-40 X 0.50",B-1005-263 | 2 |
| A4 | ELEASMB7336 | ELECTRONIC,ASSY,ELEVATE INHIBIT SWITCH BOX,TRU-BALANCE 2 POWER LIFT & TILT,C-1290-088 | 1 |

Electrical System Diagrams



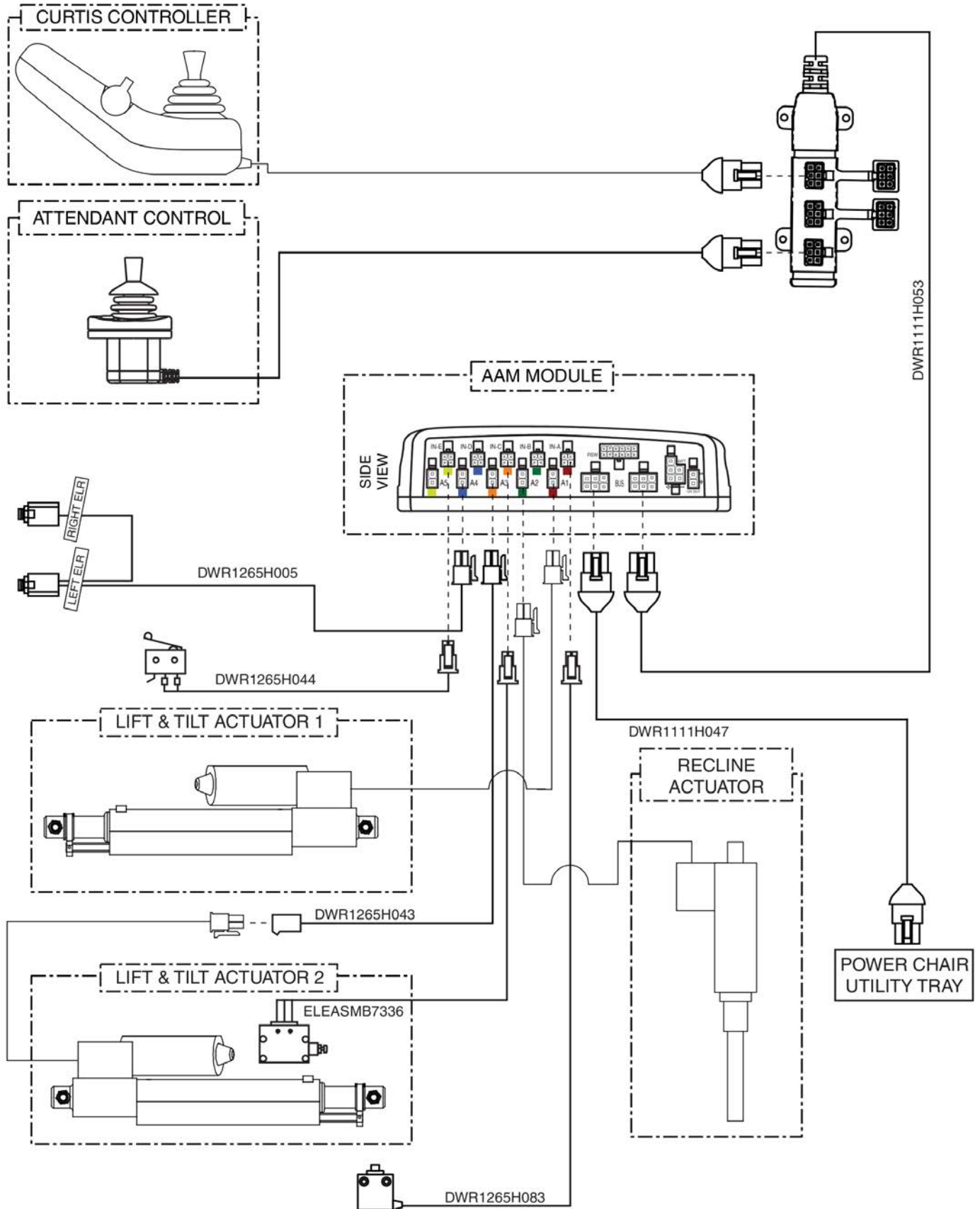
This page intentionally left blank

Electrical System Diagrams



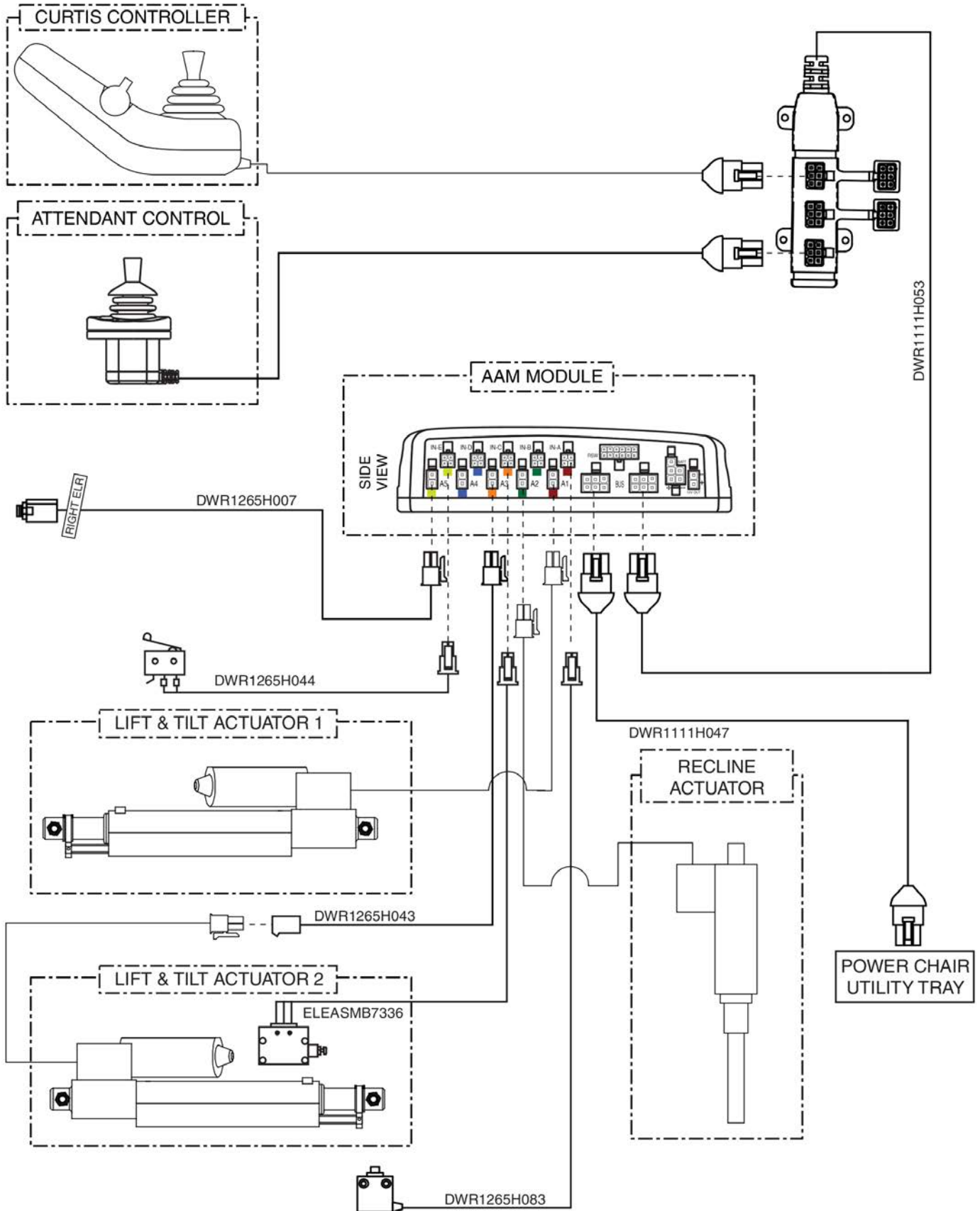
This page intentionally left blank

Electrical System Diagrams



This page intentionally left blank

Electrical System Diagrams

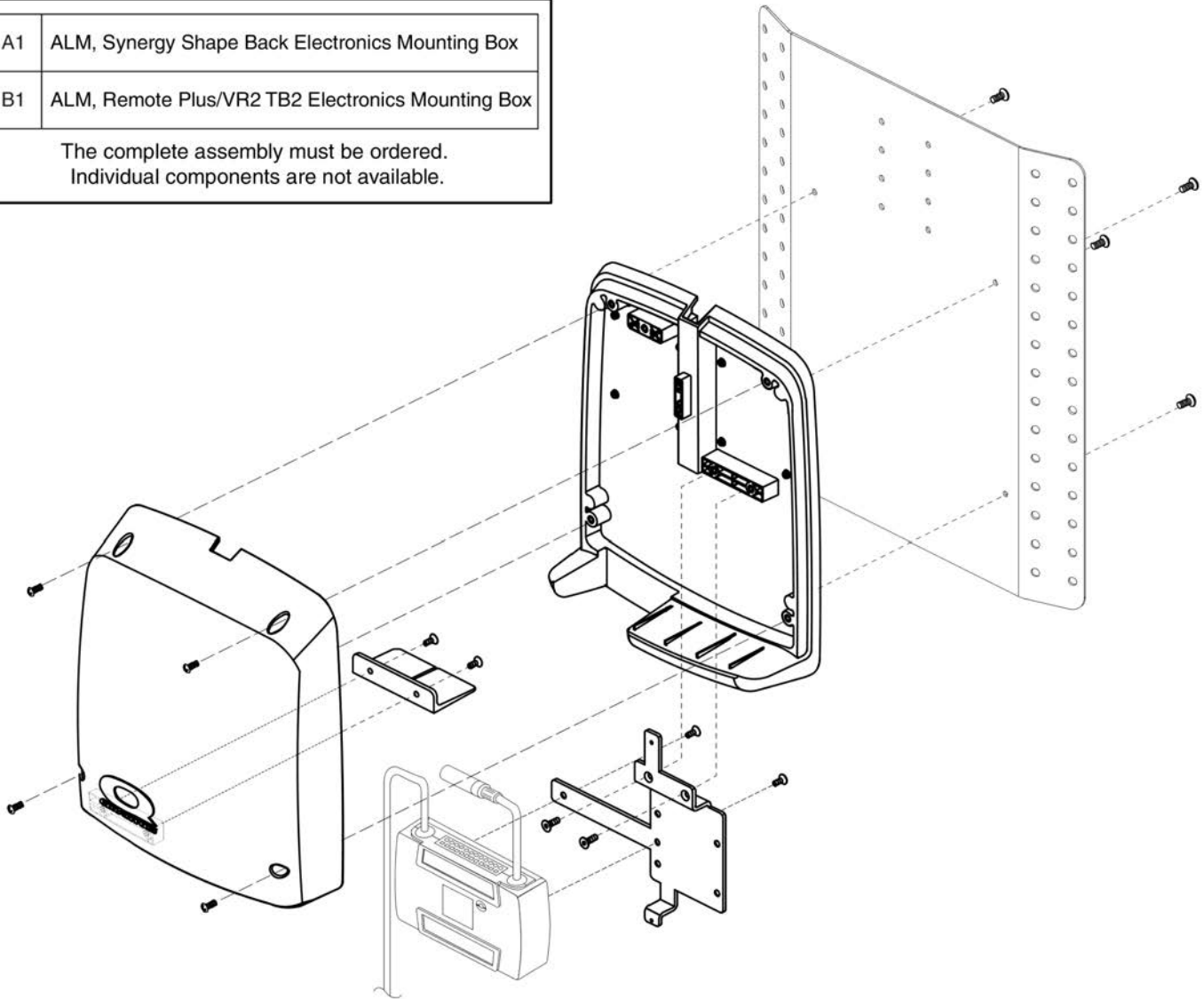


This page intentionally left blank

9. Standard Electronics Box Assy's

| | |
|----|---|
| A1 | ALM, Synergy Shape Back Electronics Mounting Box |
| B1 | ALM, Remote Plus/VR2 TB2 Electronics Mounting Box |

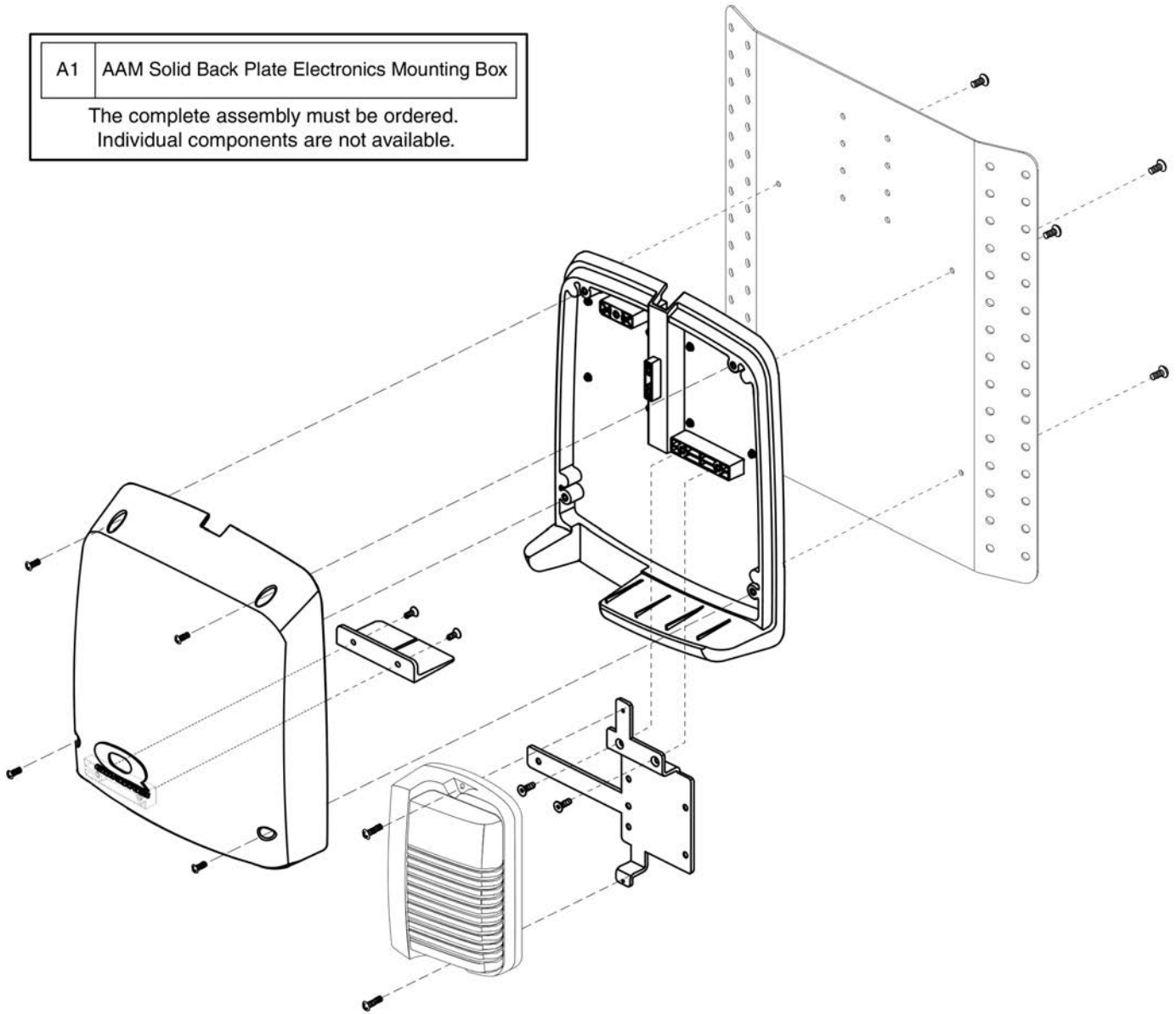
The complete assembly must be ordered.
Individual components are not available.



| Item | Part No. | Name | Qty |
|------|--------------|---|-----|
| A1 | FRMASMB10502 | MOUNTING,ASSY,ELECTRONICS BOX,SYNERGY SHAPE BACK,ALM,TRU-BALANCE 2 POWER TILT | 1 |
| B1 | FRMASMB10499 | MOUNTING,ASSY,ELECTRONICS BOX,REMOTE PLUS/VR2,TRUBALANCE 2 POWER TILT | 1 |

9. Standard Electronics Box Assy's

| | |
|--|---|
| A1 | AAM Solid Back Plate Electronics Mounting Box |
| The complete assembly must be ordered. Individual components are not available. | |

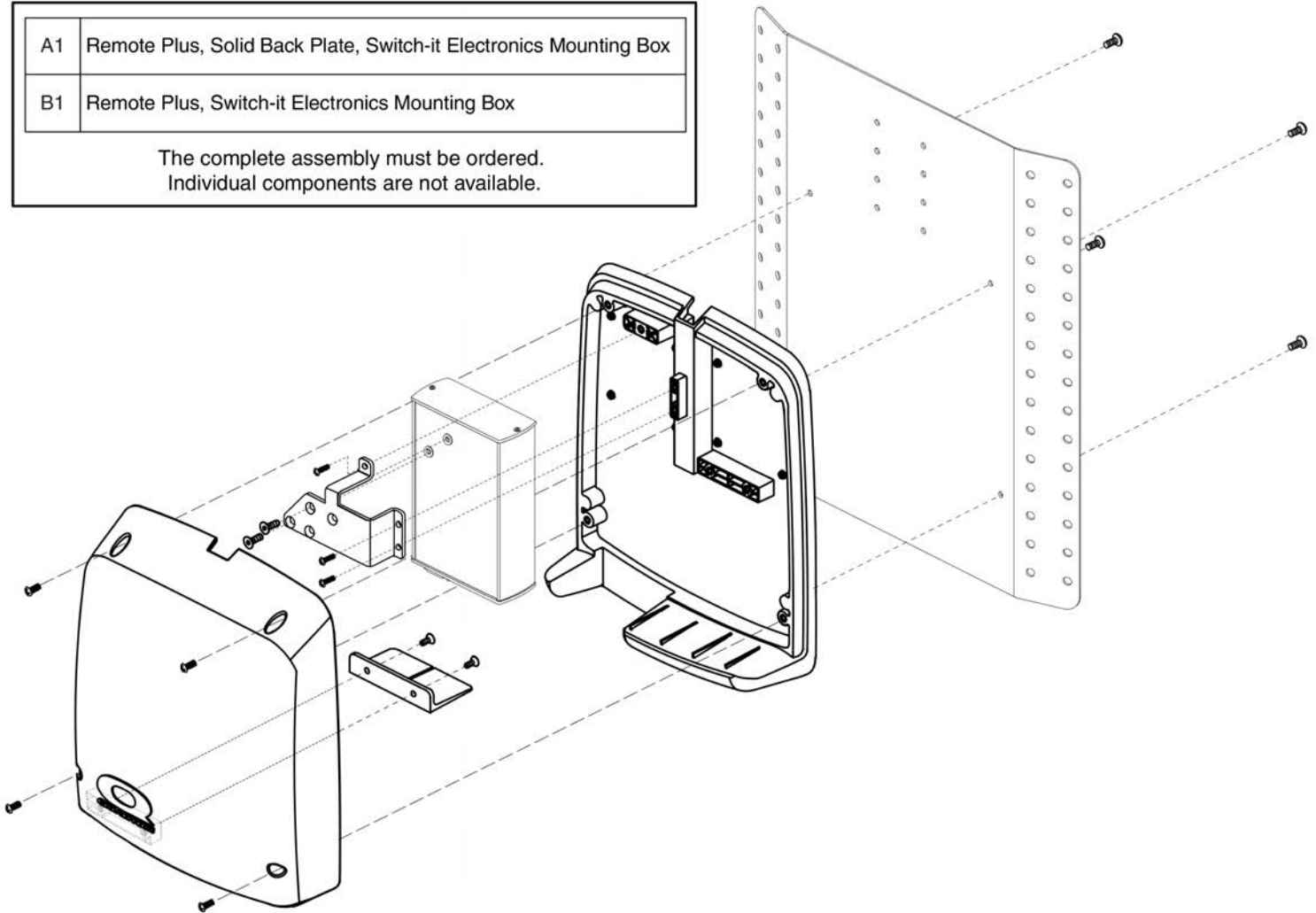


| Item | Part No. | Name | Qty |
|------|--------------|--|-----|
| A1 | FRMASMB10503 | MOUNTING,ASSY,ELECTRONICS BOX,SOLID BACK PLATE,AAM | 1 |

9. Standard Electronics Box Assy's

| | |
|----|---|
| A1 | Remote Plus, Solid Back Plate, Switch-it Electronics Mounting Box |
| B1 | Remote Plus, Switch-it Electronics Mounting Box |

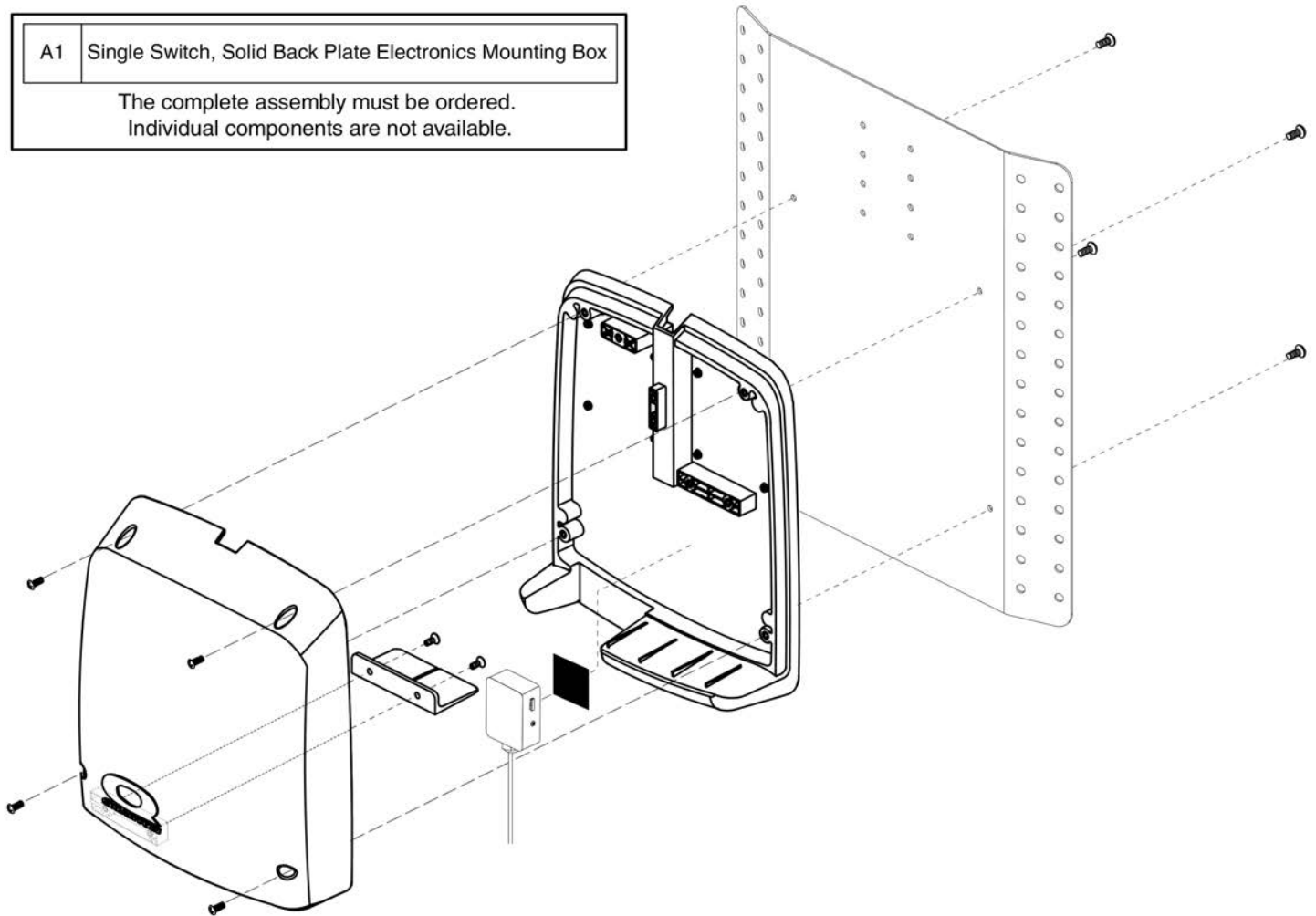
The complete assembly must be ordered.
Individual components are not available.



| Item | Part No. | Name | Qty |
|------|--------------|--|-----|
| A1 | FRMASMB10504 | MOUNTING,ASSY,ELECTRONICS BOX,SOLID BACK PLATE,SWITCHIT,TRU-BALANCE 2 POWER TILT | 1 |
| B1 | FRMASMB10501 | MOUNTING,ASSY,ELECTRONICS BOX,SWITCH-IT,TRU-BALANCE 2 POWER TILT | 1 |

9. Standard Electronics Box Assy's

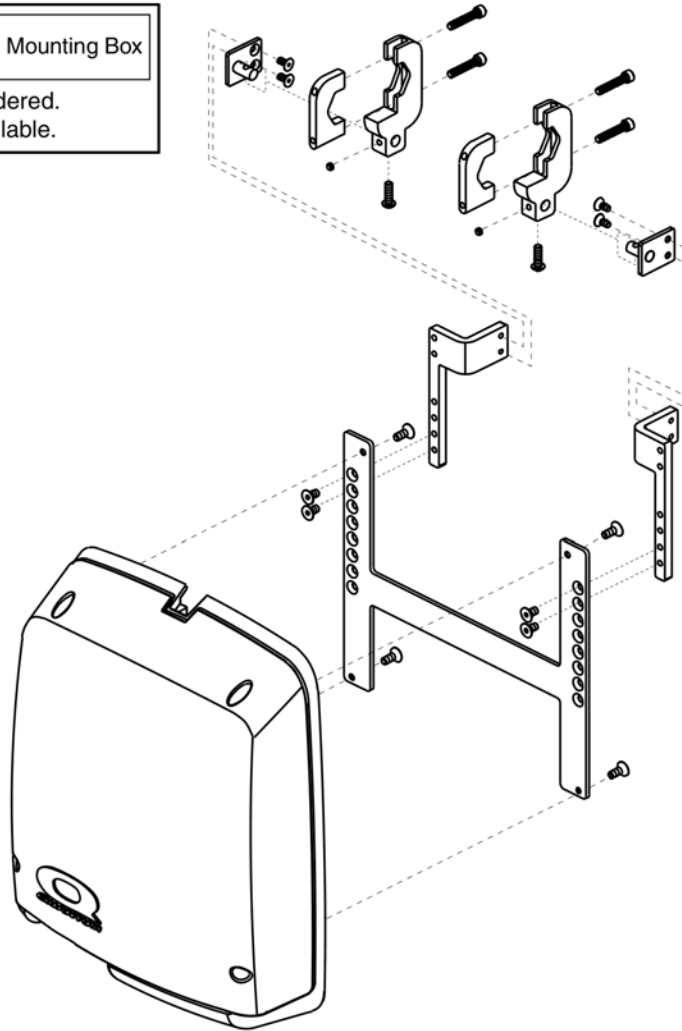
| | |
|--|--|
| A1 | Single Switch, Solid Back Plate Electronics Mounting Box |
| The complete assembly must be ordered. Individual components are not available. | |



| Item | Part No. | Name | Qty |
|------|--------------|---|-----|
| A1 | FRMASMB11069 | MOUNTING,ASSY,ELECTRONICS BOX,SOLID BACK PLATE,SINGLE SWITCH,TRU-BALANCE 2 POWER TILT | 1 |

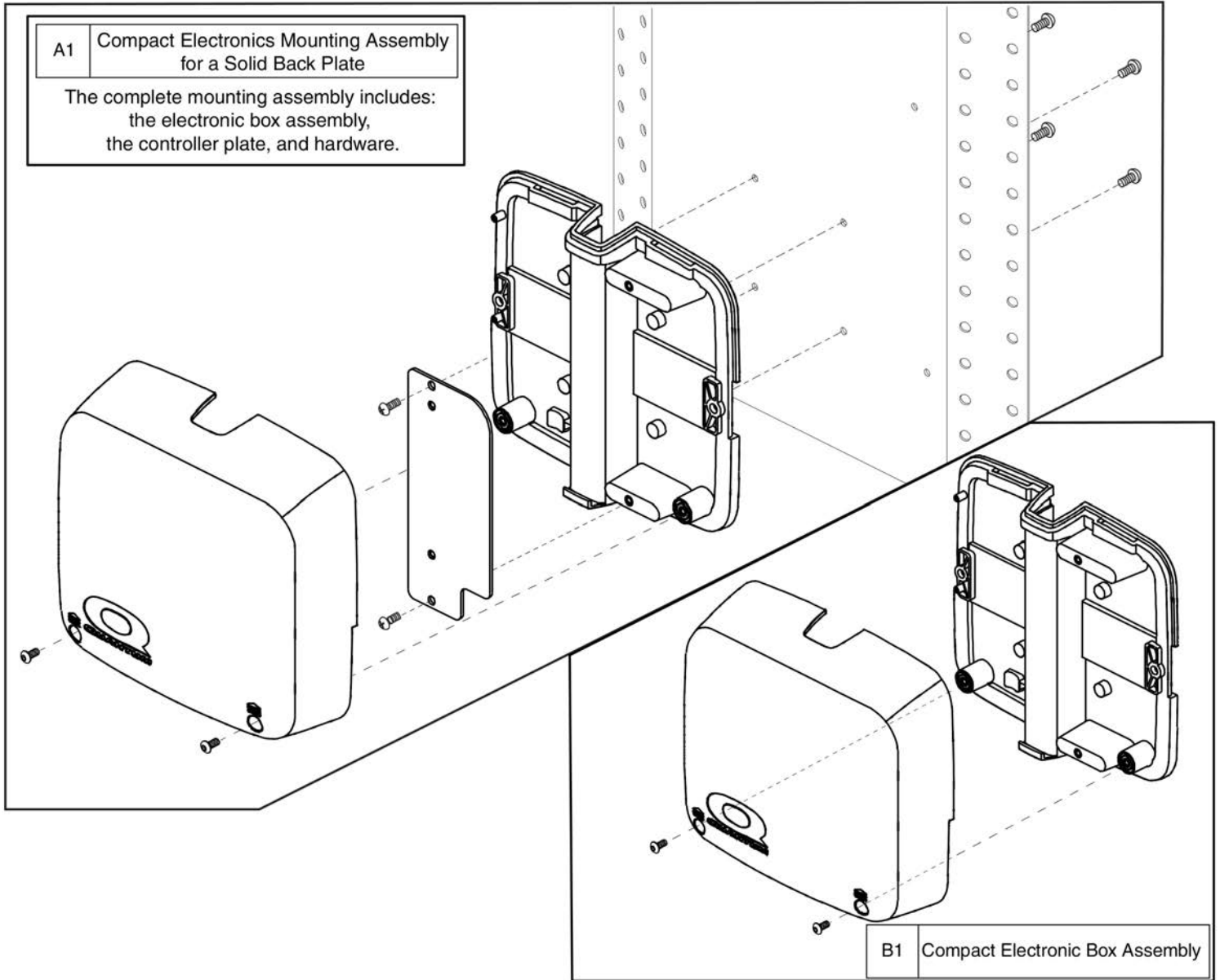
9. Standard Electronics Box Assy's

| | |
|--|--|
| A1 | Synergy/Seat Tilt, Push Bar Electronics Mounting Box |
| The complete assembly must be ordered. Individual components are not available. | |



| Item | Part No. | Name | Qty |
|------|-------------|---|-----|
| A1 | FRMASMB9898 | MOUNTING BRACKET,ASSY,ELECTRONICS BOX,PUSH BAR MOUNT,SYNERGY SEAT/TILT,D-1358-014 | 1 |

10. Compact Electronics Box Assy's

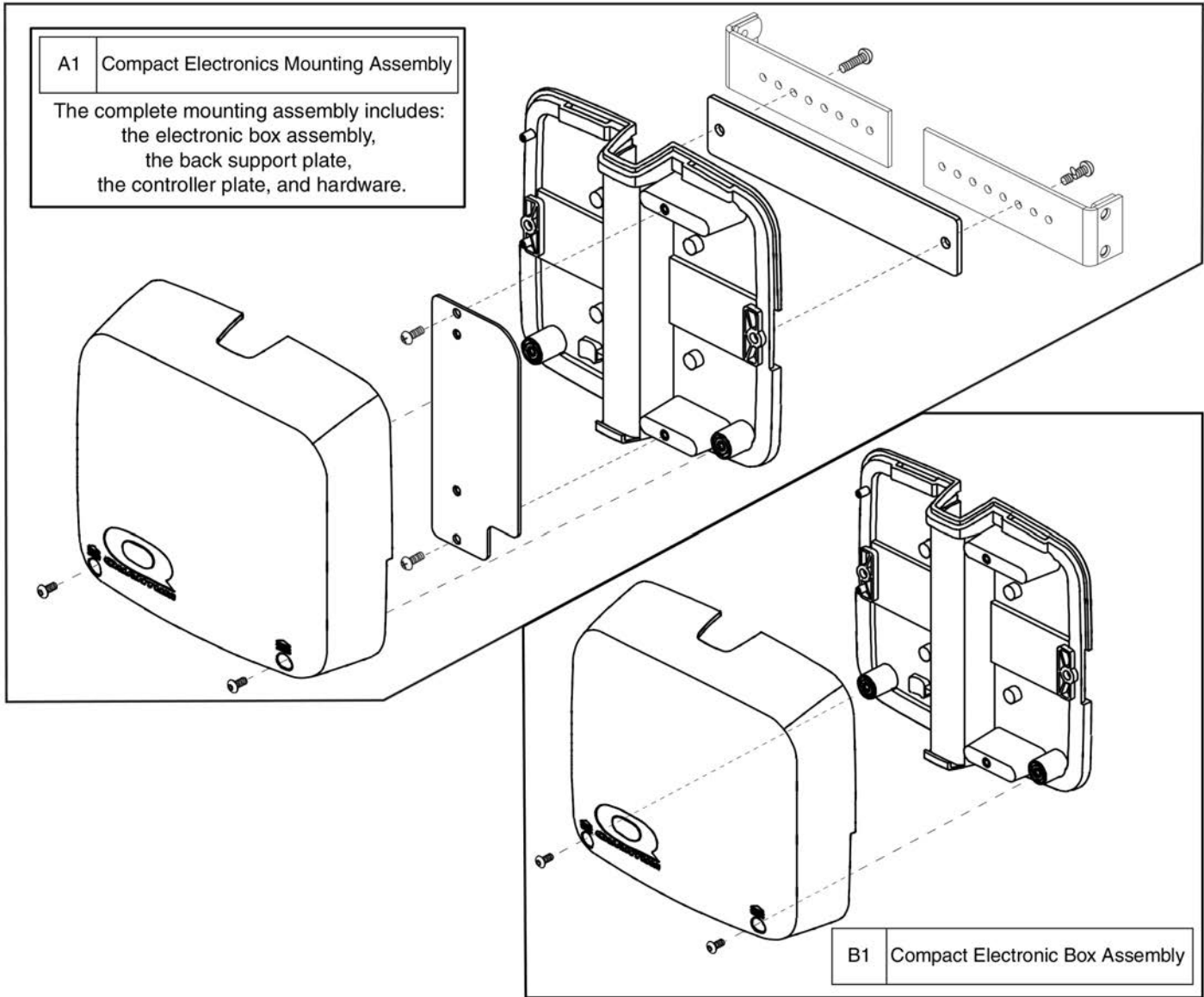


Electronics Box - Compact, Solid Back, TB2



| Item | Part No. | Name | Qty |
|------|--------------|---|-----|
| A1 | FRMASMB14208 | MOUNTING,ASSY,COMPACT ELECTRONICS BOX,SOLID BACK PLATE,Q-LOGIC/REMOTE PLUS/VR2/NE/NE PLUS | 1 |
| B1 | PLSASMB2077 | ELECTRONIC,ASSY,BOX,COMPACT,PLASTIC,TB2 TILT,E-1358-016 | 1 |

10. Compact Electronics Box Assy's

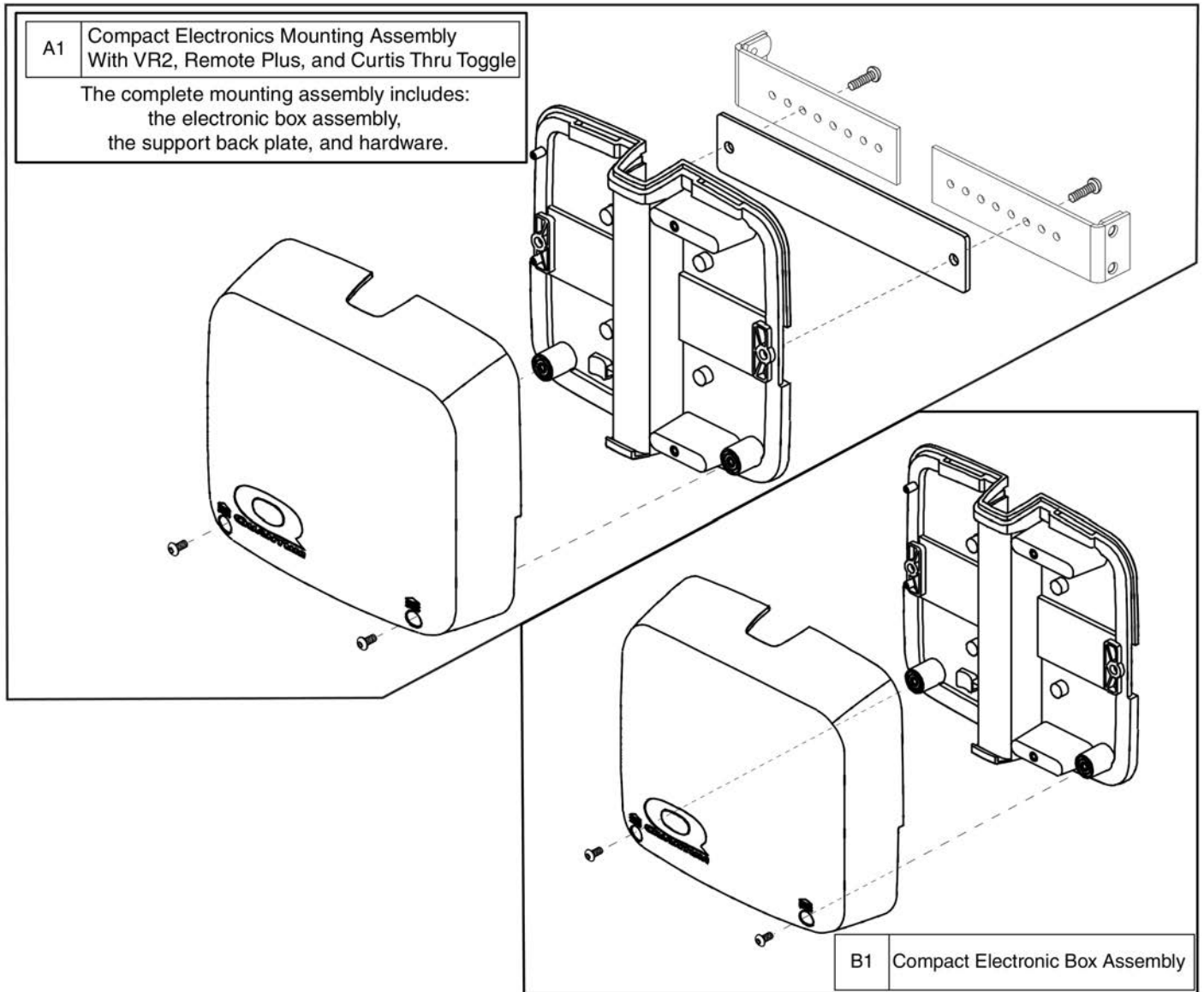


Electronics Box - Compact, TB2



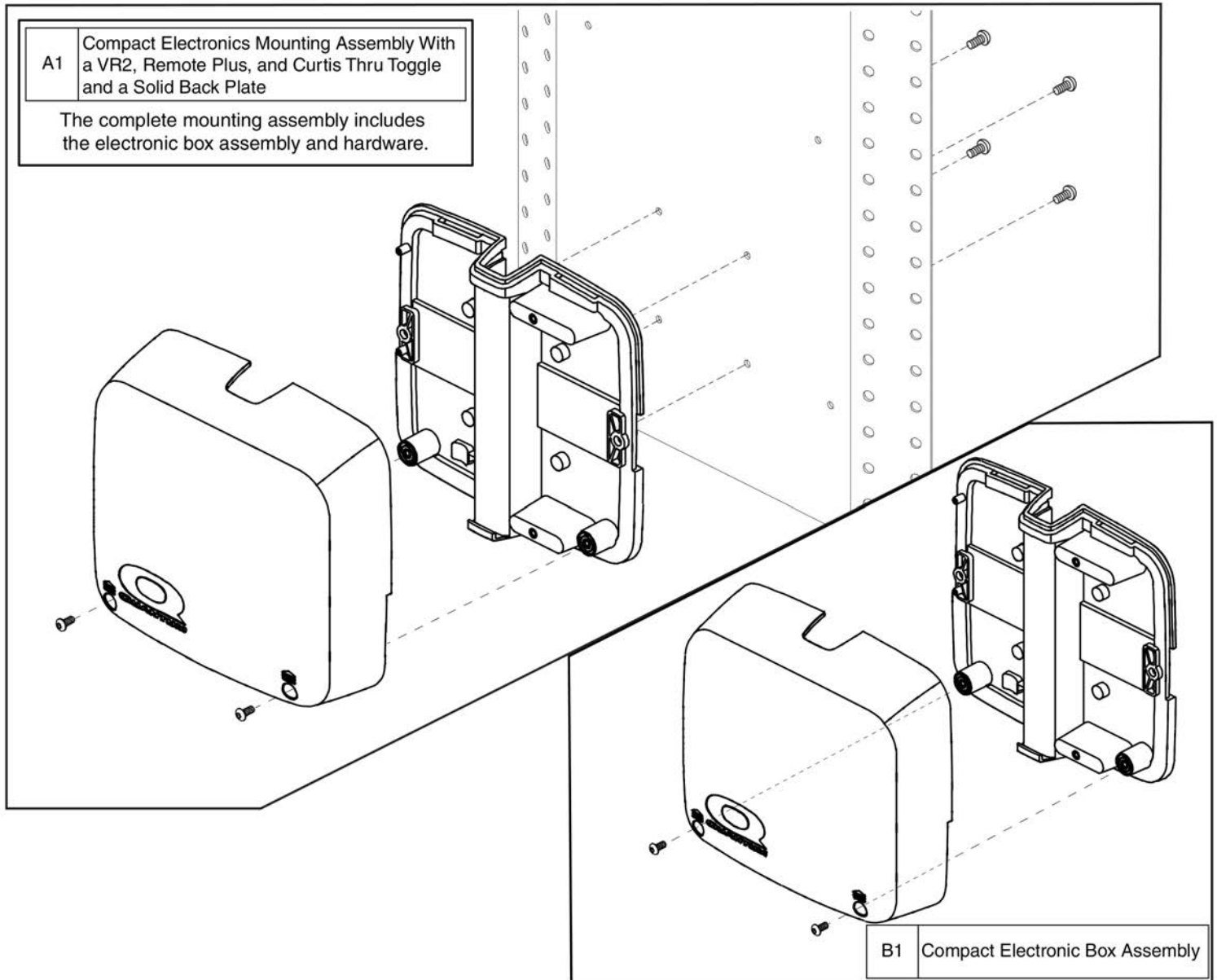
| Item | Part No. | Name | Qty |
|------|--------------|--|-----|
| A1 | FRMASMB14207 | MOUNTING,ASSY,COMPACT ELECTRONICS BOX,Q-LOGIC/REMOTE PLUS/VR2/NE/NE PLUS | 1 |
| B1 | PLSASMB2077 | ELECTRONIC,ASSY,BOX,COMPACT,PLASTIC,TB2 TILT,E-1358-016 | 1 |

10. Compact Electronics Box Assy's



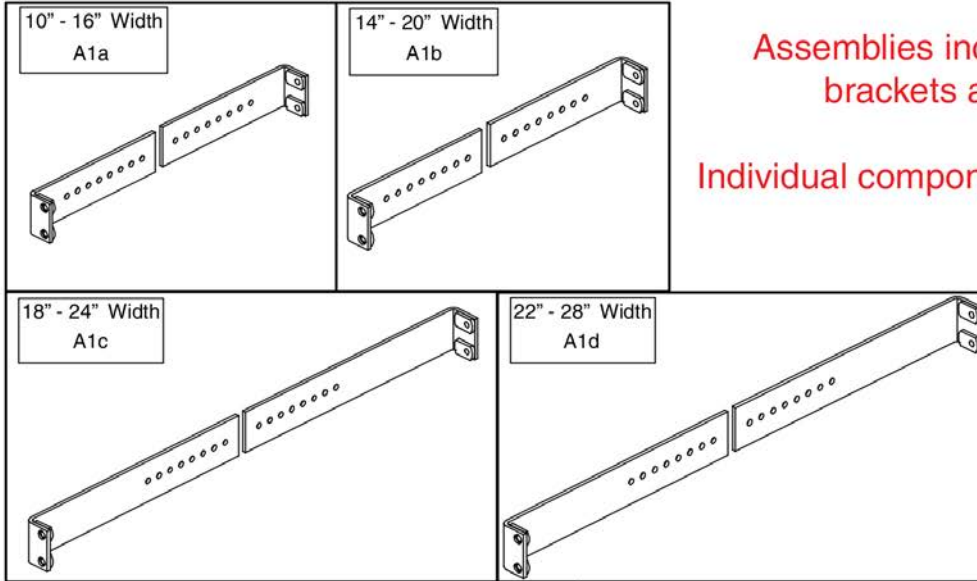
| Item | Part No. | Name | Qty |
|------|--------------|--|-----|
| A1 | FRMASMB15905 | MOUNTING,ASSY,COMPACT ELECTRONICS BOX,VR2/NE/NE+ THRU TOGGLE/Q-LOGIC THRU TOGGLE/REMOTE PLUS THRU TOGGLE | 1 |
| B1 | PLSASMB2077 | ELECTRONIC,ASSY,BOX,COMPACT,PLASTIC,TB2 TILT,E-1358-016 | 1 |

10. Compact Electronics Box Assy's

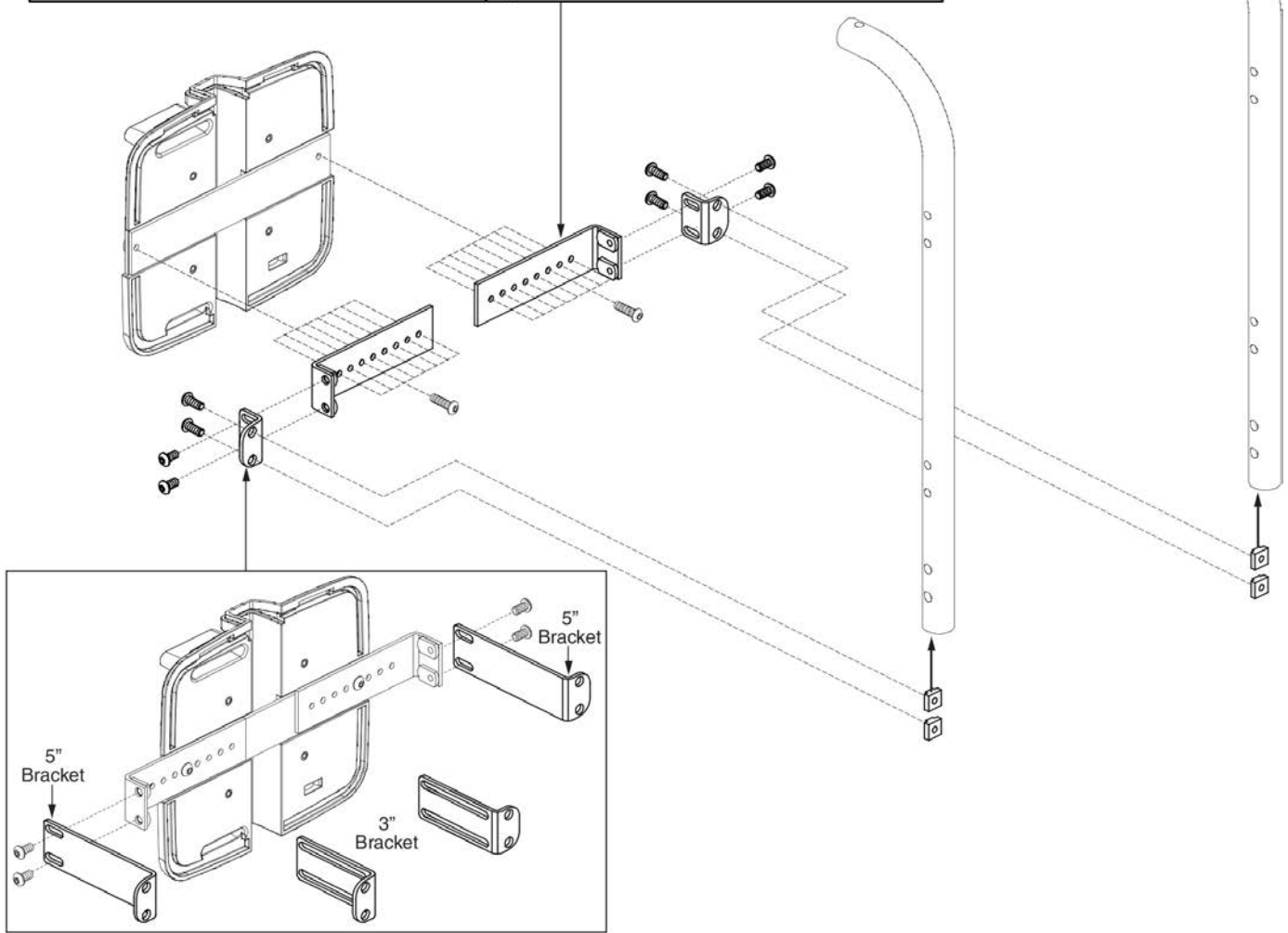


| Item | Part No. | Name | Qty |
|------|--------------|---|-----|
| A1 | FRMASMB15906 | MOUNTING,ASSY,COMPACT ELECTRONICS BOX,SOLID BACK PLATE,VR2/NE/NE+ THRU TOGGLE/Q-LOGIC THRU TOGGLE/REMOTE PLUS THRU TOGGLE | 1 |
| B1 | PLSASMB2077 | ELECTRONIC,ASSY,BOX,COMPACT,PLASTIC,TB2 TILT,E-1358-016 | 1 |

10. Compact Electronics Box Assy's



Assemblies include the mounting brackets and hardware.
Individual components are not available.



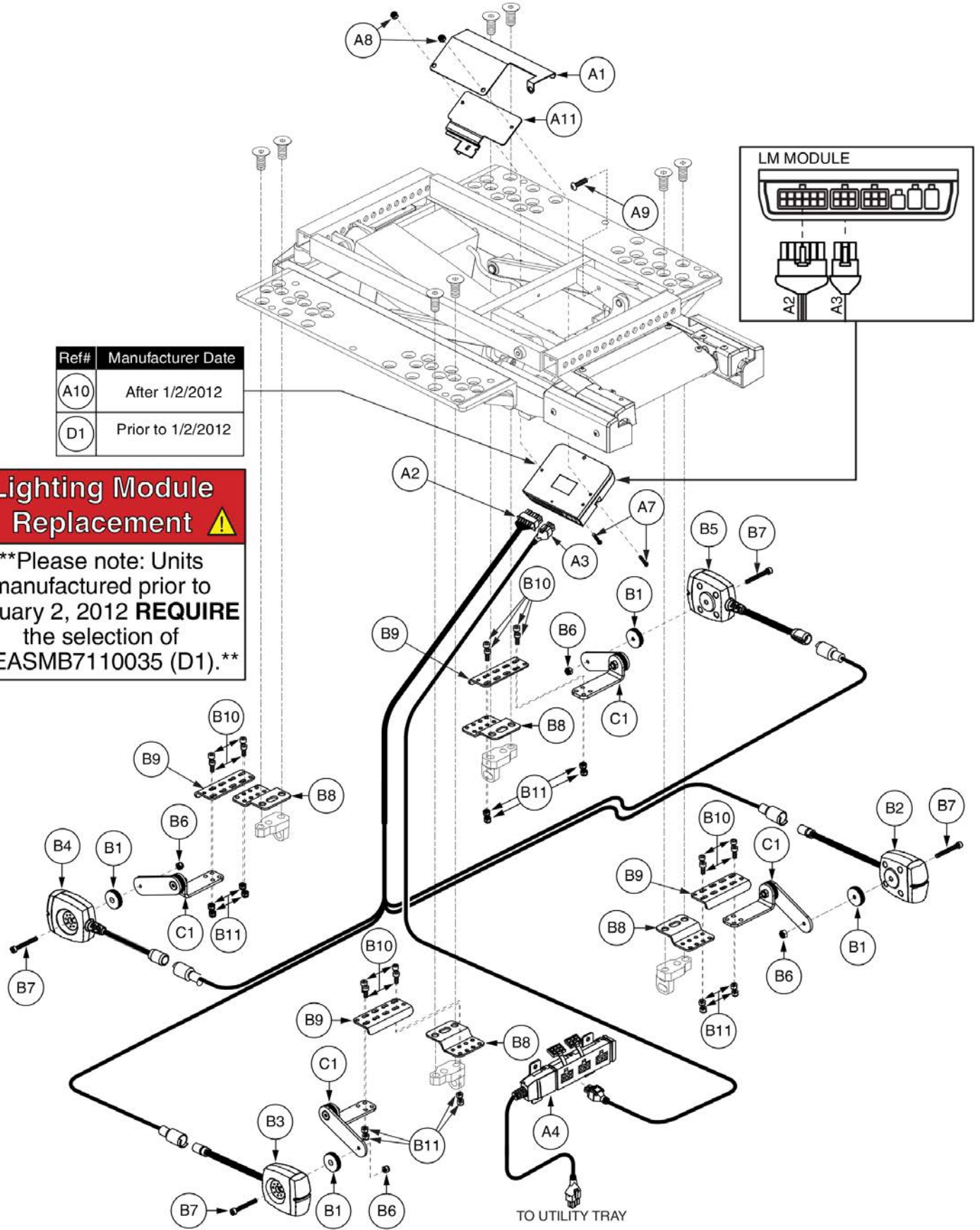
| Item | Part No. | Name | Qty |
|------|--------------|--|-----|
| A1a | FRMASMB16405 | MOUNTING BRACKET,ASSY,ELECTRONICS BOX,10"-16",OFFSET,W/MOUNTING HARDWARE | 1 |
| A1b | FRMASMB16406 | MOUNTING BRACKET,ASSY,ELECTRONICS BOX,14"-20",OFFSET,W/MOUNTING HARDWARE | 1 |
| A1c | FRMASMB16407 | MOUNTING BRACKET,ASSY,ELECTRONICS BOX,18"-24",OFFSET,W/MOUNTING HARDWARE | 1 |
| A1d | FRMASMB17094 | MOUNTING BRACKET,ASSY,ELECTRONIC BOX,22"-28",OFFSET,W/MOUNTING HARDWARE | 1 |

7. Curtis LED Light Assy's

| Ref# | Manufacturer Date |
|------|-------------------|
| A10 | After 1/2/2012 |
| D1 | Prior to 1/2/2012 |

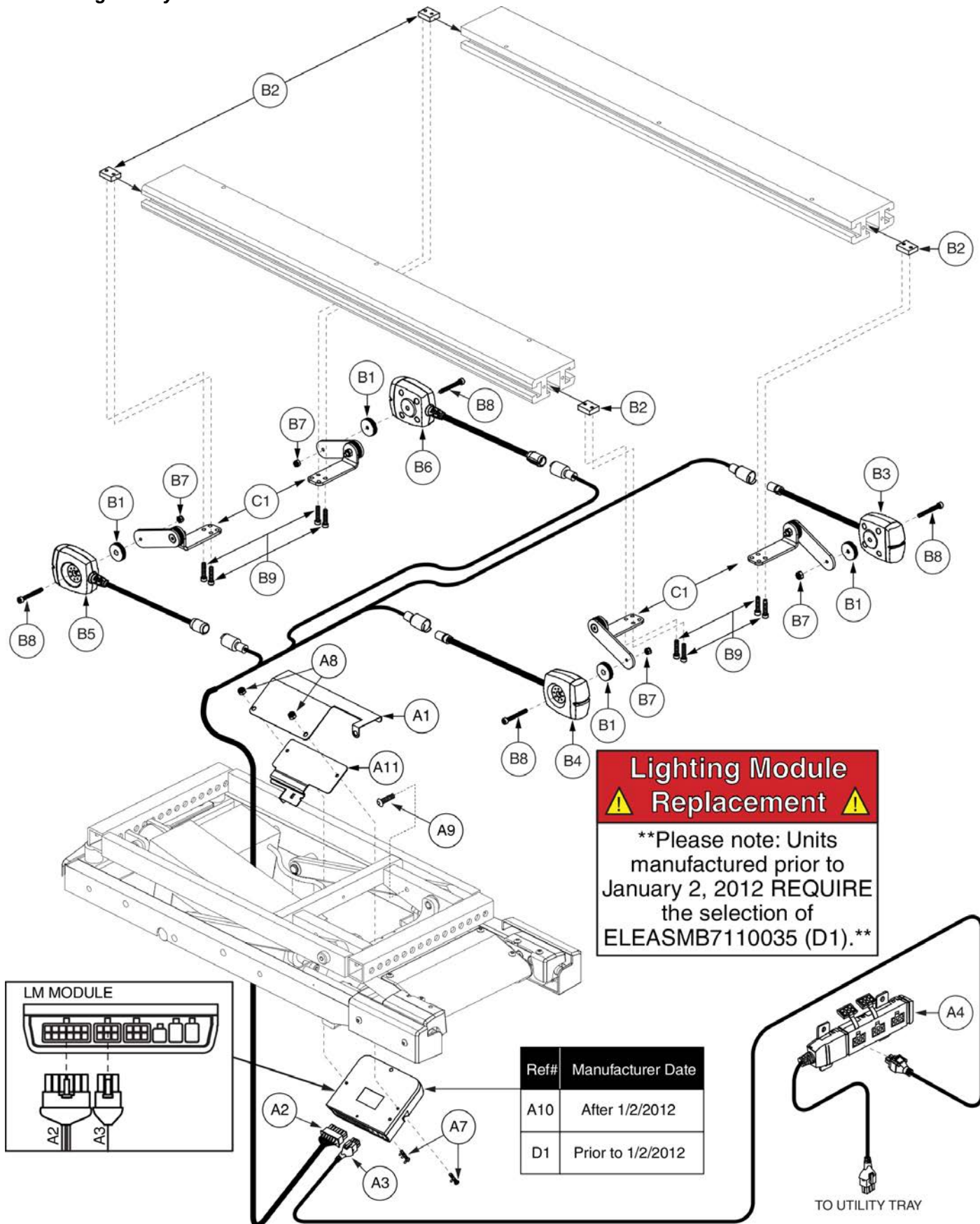
Lighting Module Replacement

****Please note: Units manufactured prior to January 2, 2012 REQUIRE the selection of ELEASMB7110035 (D1).****



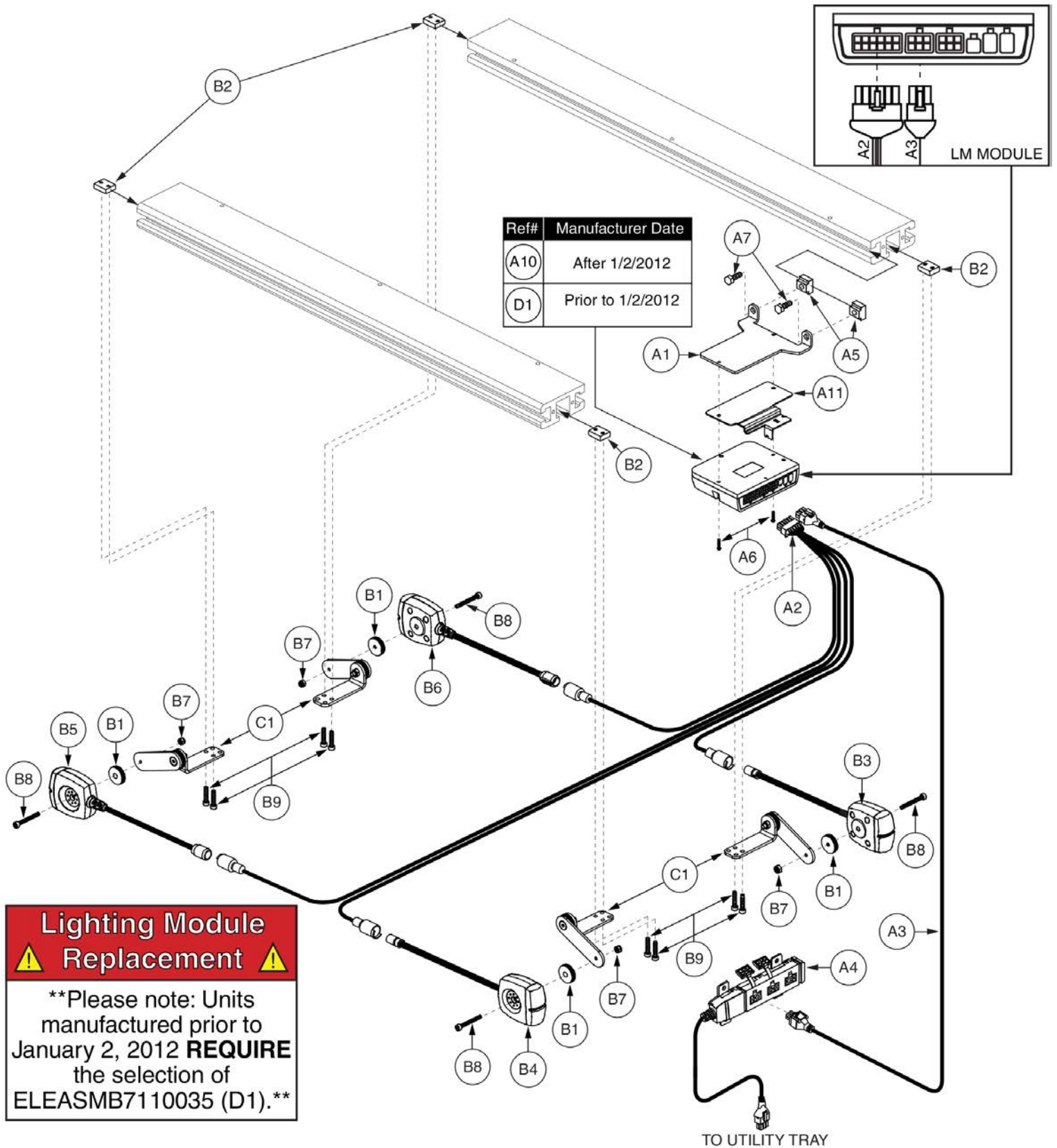
| Item | Part No. | Name | Qty |
|----------|----------------|---|-----|
| A1 - A11 | ELEASMB6211 | ELECTRONIC,ASSY,Q-LOGIC/LM,TRU-BALANCE 2 POWER TILT,W/LIGHTS | 1 |
| A1 | DWR1010E765 | ELECTRONIC,LM INTERFACE BRACKET,TRU-BALANCE 2 POWER TILT,E-1010-765 | 1 |
| A2 | DWR1265H047 | ELECTRONIC,HARNESS,FULL LIGHT,LED,TRU-BALANCE 2 POWER TILT,H-1265-047 | 1 |
| A3 | DWR1111H047 | HARNESS,BUS CABLE,1.0 METER,FEMALE/FEMALE,H-1111-047,(CURTIS:17881302) | 1 |
| A4 | DWR1111H053 | HARNESS,MULTIPLIER BOX,0.3 METER,H-1111-053,(CURTIS: 17869700) | 1 |
| *A5 | PLSTIE1004 | TIE WRAP,BLACK,8" | 5 |
| *A6 | | ELECTRONIC,WRAP,3/8"D,1 FT, SPIRAL | 1 |
| A7 | SCRPPH1072 | SCREW,PPH,BLACK ZINC,8-32 X 1.00" | 2 |
| A8 | NUTNYLK1018 | NUT, NYLOCK,BLACK ZINC,8-32 | 2 |
| A9 | SCRASBH1157 | SCREW,BHSCS,BLACK ZINC,1/4-20 X 0.375",W/NYLON PATCH | 1 |
| A10 | ELEASMB6213 | ELECTRONIC,ASSY,Q-LOGIC LM MODULE,W/PROGRAMMING,LED LIGHTS,QUANTUM | 1 |
| A11 | MEC138637 | BRACKET,STRAIN RELIEF,AM1 | 1 |
| B1 - C1 | ELEASMB5720 | FULL LIGHT,ASSY,12V,LED LIGHTS,TRU-BALANCE 2 POWER TILT,E-1010-755 | 1 |
| B1 | DWR1010B161 | SPACER,BLACK,PLASTIC,0.157" ID X 0.866" OD X 0.22" TH,B-1010-161 | 4 |
| B2 | ELEASMB7120026 | LIGHT,ASSY,RED/AMBER,LED E-MARKED LIGHTS,SYNERGY,REAR/RIGHT,ELEASMB7120026 | 1 |
| B3 | ELEASMB7120025 | LIGHT,ASSY,RED/AMBER,LED E-MARKED LIGHTS,SYNERGY,REAR/LEFT,ELEASMB7120025 | 1 |
| B4 | ELEASMB7120023 | FULL LIGHT,ASSY,WHITE/AMBER,LED E-MARKED LIGHTS,SYNERGY,FRONT/LEFT,ELEASMB7120023 | 1 |
| B5 | ELEASMB7120024 | FULL LIGHT,ASSY,WHITE/AMBER,LED LIGHTS,SYNERGY,FRONT/RIGHT,ELEASMB7120024 | 1 |
| B6 | NUTNYLK1065 | NUT,NYLOCK,BLACK ZINC,M4-.7 | 4 |
| B7 | SCRSHCS1237 | SCREW,SHCS,BLACK ZINC,M4-.7 X 35MM | 4 |
| B8 | | MOUNTING BRACKET,SWING ARM TOWER,SYNERGY/EURO LED LIGHTS,C-1010-318 | 4 |
| B9 | | MOUNTING BRACKET,WIDTH ADJUSTMENT,SYNERGY/EURO LED LIGHTS,C-1010-319 | 4 |
| B10 | SCRSHCS1127 | SCREW,SHCS,BLACK ZINC,M4-.7 X 10MM,GRADE 8.8 | 16 |
| B11 | NUTNYLK1020 | NUT,NYLOCK,ZINC,M4-.7 | 16 |
| C1 | FRMASMB10938 | MOUNTING BRACKET,ASSY,LED LIGHTS,SYNERGY,B-1010-172 | 4 |
| D1 | ELEASMB7110035 | ELECTRONIC,ASSY,Q-LOGIC LM MODULE (FW 1.16),W/PROGRAMMING,LED LIGHTS,QUANTUM | 1 |

7. Curtis LED Light Assy's



| Item | Part No. | Name | Qty |
|----------|----------------|---|-----|
| A1 - A11 | ELEASMB6211 | ELECTRONIC,ASSY,Q-LOGIC/LM,TRU-BALANCE 2 POWER TILT,W/LIGHTS | 1 |
| A1 | DWR1010E765 | ELECTRONIC,LM INTERFACE BRACKET,TRU-BALANCE 2 POWER TILT,E-1010-765 | 1 |
| A2 | DWR1265H047 | ELECTRONIC,HARNESS,FULL LIGHT,LED,TRU-BALANCE 2 POWER TILT,H-1265-047 | 1 |
| A3 | DWR1111H047 | HARNESS,BUS CABLE,1.0 METER,FEMALE/FEMALE,H-1111-047,(CURTIS:17881302) | 1 |
| A4 | DWR1111H053 | HARNESS,MULTIPLIER BOX,0.3 METER,H-1111-053,(CURTIS: 17869700) | 1 |
| *A5 | PLSTIE1004 | TIE WRAP,BLACK,8" | 5 |
| *A6 | | ELECTRONIC,WRAP,3/8"D,1 FT,SPIRAL | 1 |
| A7 | SCRPPH1072 | SCREW,PPH,BLACK ZINC,8-32 X 1.00" | 2 |
| A8 | NUTNYLK1018 | NUT, NYLOCK,BLACK ZINC,8-32 | 2 |
| A9 | SCRASBH1157 | SCREW,BHSCS,BLACK ZINC,1/4-20 X 0.375",W/NYLON PATCH | 1 |
| A10 | ELEASMB6213 | ELECTRONIC,ASSY,Q-LOGIC LM MODULE,W/PROGRAMMING,LED LIGHTS,QUANTUM | 1 |
| A11 | MEC138637 | BRACKET,STRAIN RELIEF,AM1 | 1 |
| B1 - C1 | ELEASMB5719 | FULL LIGHT,ASSY,12V,LED LIGHTS,SYNERGY SEAT,E-1010-754 | 1 |
| B1 | DWR1010B161 | SPACER,BLACK,PLASTIC,0.157" ID X 0.866" OD X 0.22" TH,B-1010-161 | 4 |
| B2 | DWR1010B173 | SLOT NUT,SYNERGY/EURO LED LIGHTS,B-1010-173 | 4 |
| B3 | ELEASMB7120026 | LIGHT,ASSY,RED/AMBER,LED E-MARKED LIGHTS,SYNERGY,REAR/RIGHT,ELEASMB7120026 | 1 |
| B4 | ELEASMB7120025 | LIGHT,ASSY,RED/AMBER,LED E-MARKED LIGHTS,SYNERGY,REAR/LEFT,ELEASMB7120025 | 1 |
| B5 | ELEASMB7120023 | FULL LIGHT,ASSY,WHITE/AMBER,LED E-MARKED LIGHTS,SYNERGY,FRONT/LEFT,ELEASMB7120023 | 1 |
| B6 | ELEASMB7120024 | FULL LIGHT,ASSY,WHITE/AMBER,LED LIGHTS,SYNERGY,FRONT/RIGHT,ELEASMB7120024 | 1 |
| B7 | NUTNYLK1065 | NUT,NYLOCK,BLACK ZINC,M4-.7 | 4 |
| B8 | SCRSHCS1237 | SCREW,SHCS,BLACK ZINC,M4-.7 X 35MM | 4 |
| B9 | SCRSHCS1096 | SCREW,SHCS,BLACK ZINC,M4-.7 X 20MM | 8 |
| C1 | FRMASMB10938 | MOUNTING BRACKET,ASSY,LED LIGHTS,SYNERGY,B-1010-172 | 4 |
| D1 | ELEASMB7110035 | ELECTRONIC,ASSY,Q-LOGIC LM MODULE (FW 1.16),W/PROGRAMMING,LED LIGHTS,QUANTUM | 1 |

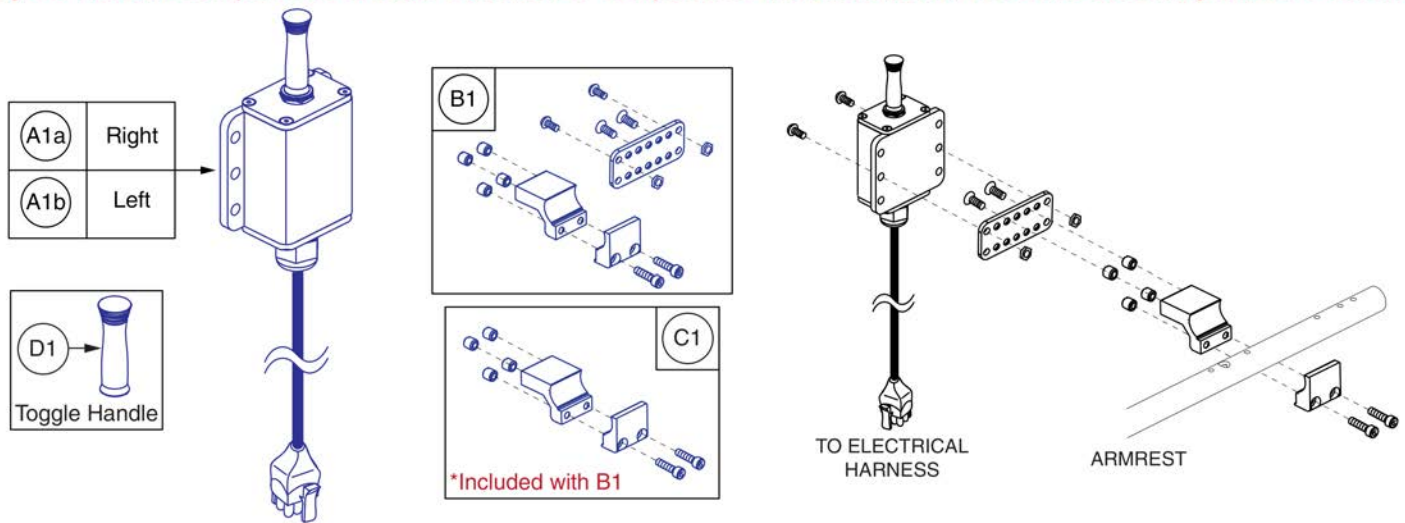
7. Curtis LED Light Assy's



| Item | Part No. | Name | Qty |
|----------|----------------|---|-----|
| A1 - A11 | ELEASMB6210 | Q-LOGIC/LM,SYNERGY/RECLINE,W/LIGHTS & POWER OPTIONS | 1 |
| A1 | DWR1010C337 | ELECTRONIC,LM INTERFACE BRACKET,SYNERGY/SPECIALTY SEAT | 1 |
| A2 | DWR1265H051 | ELECTRONIC,HARNESS,FULL LIGHT,LED,NE+,SYNERGY SEAT | 1 |
| A3 | DWR1111H047 | HARNESS,BUS CABLE,1.0 METER,FEMALE/FEMALE,H-1111-047,(CURTIS:17881302) | 1 |
| A4 | DWR1111H053 | HARNESS,MULTIPLIER BOX,0.3 METER,H-1111-053,(CURTIS: 17869700) | 1 |
| A5 | DWR1360A004 | T-NUT,5/16-18 X 0.875",A-1360-004 | 2 |
| A6 | SCRPPH1080 | SCREW,PPH,BLACK ZINC,8-32 X 0.75" | 2 |
| A7 | SCRHHCS1256 | SCREW,HHCS,BLACK ZINC,5/16-18 X 0.625",GR 8,W/PATCH | 2 |
| A8 | PLSTIE1004 | TIE WRAP,BLACK,8" | 5 |
| A9 | | ELECTRONIC,WRAP,3/8"D,1 FT, SPIRAL | 1 |
| A10 | ELEASMB6213 | ELECTRONIC,ASSY,Q-LOGIC LM MODULE,W/PROGRAMMING,LED LIGHTS,QUANTUM | 1 |
| A11 | MEC138637 | BRACKET,STRAIN RELIEF,AM1 | 1 |
| B1 - C1 | ELEASMB5719 | FULL LIGHT,ASSY,12V,LED LIGHTS,SYNERGY SEAT,E-1010-754 | 1 |
| B1 | DWR1010B161 | SPACER,BLACK,PLASTIC,0.157" ID X 0.866" OD X 0.22" TH,B-1010-161 | 4 |
| B2 | DWR1010B173 | SLOT NUT,SYNERGY/EURO LED LIGHTS,B-1010-173 | 4 |
| B3 | ELEASMB7120026 | LIGHT,ASSY,RED/AMBER,LED E-MARKED LIGHTS,SYNERGY,REAR/RIGHT,ELEASMB7120026 | 1 |
| B4 | ELEASMB7120025 | LIGHT,ASSY,RED/AMBER,LED E-MARKED LIGHTS,SYNERGY,REAR/LEFT,ELEASMB7120025 | 1 |
| B5 | ELEASMB7120023 | FULL LIGHT,ASSY,WHITE/AMBER,LED E-MARKED LIGHTS,SYNERGY,FRONT/LEFT,ELEASMB7120023 | 1 |
| B6 | ELEASMB7120024 | FULL LIGHT,ASSY,WHITE/AMBER,LED LIGHTS,SYNERGY,FRONT/RIGHT,ELEASMB7120024 | 1 |
| B7 | NUTNYLK1065 | NUT,NYLOCK,BLACK ZINC,M4-.7 | 4 |
| B8 | SCRSHCS1237 | SCREW,SHCS,BLACK ZINC,M4-.7 X 35MM | 4 |
| B9 | SCRSHCS1096 | SCREW,SHCS,BLACK ZINC,M4-.7 X 20MM | 8 |
| C1 | FRMASMB10938 | MOUNTING BRACKET,ASSY,LED LIGHTS,SYNERGY,B-1010-172 | 4 |
| D1 | ELEASMB7110035 | ELECTRONIC,ASSY,Q-LOGIC LM MODULE (FW 1.16),W/PROGRAMMING,LED LIGHTS,QUANTUM | 1 |

8. Toggle & Push Button User Controls

- Only serviceable components contain callouts. For components without callouts, the entire assembly must be selected.



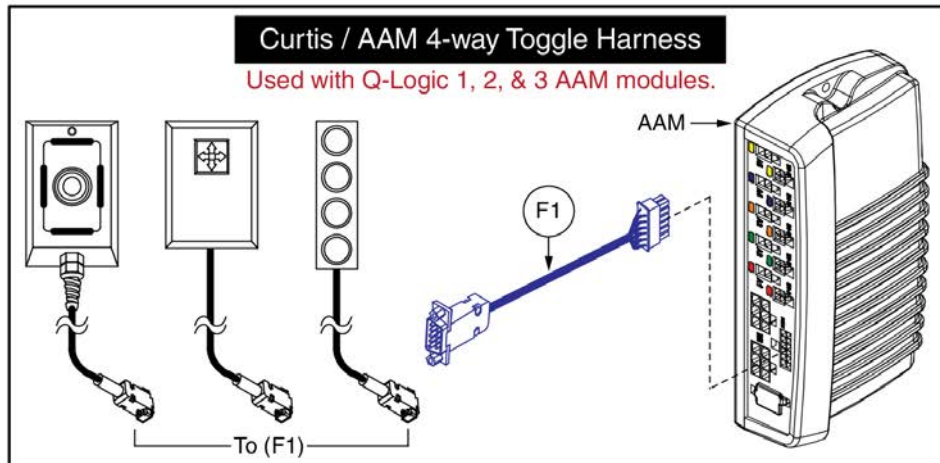
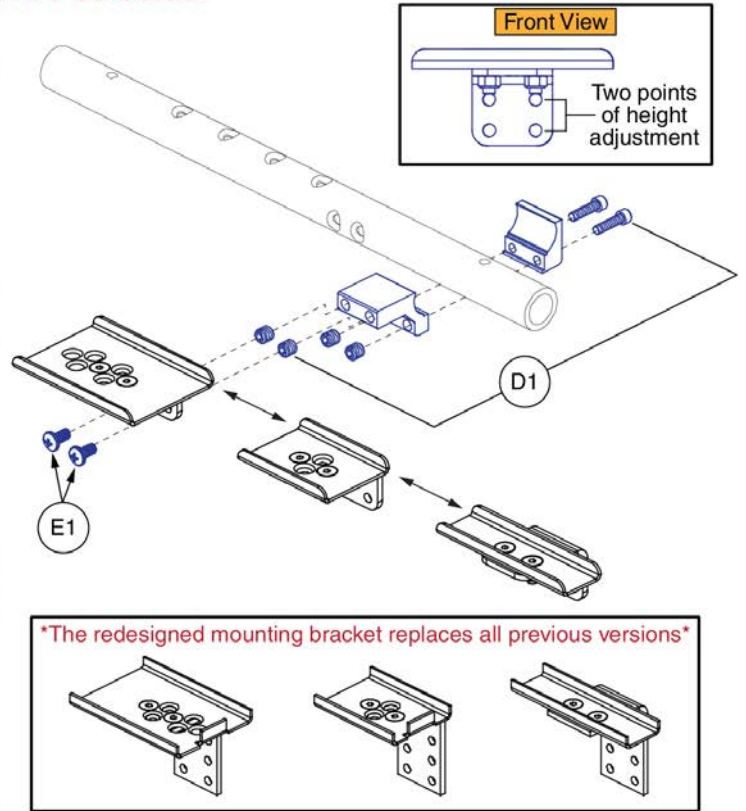
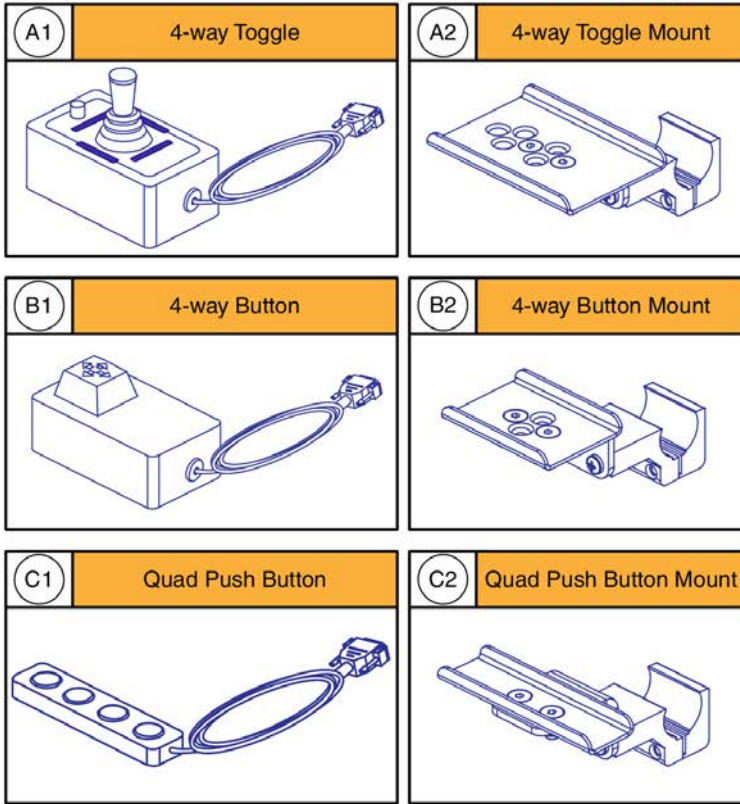
High Power Toggle and Mount, Tubular Arms



| Item | Part No. | Name | Qty |
|----------|--------------|--|-----|
| A1a - B1 | ELEASMB5157 | ELECTRONIC,ASSY,HIGH POWER TOGGLE BOX,W/MOUNTING BRACKET,RIGHT | 1 |
| A1b - B1 | ELEASMB5156 | ELECTRONIC,ASSY,HIGH POWER TOGGLE BOX,W/MOUNTING BRACKET,LEFT | 1 |
| A1a | ELEASMB4950 | ELECTRONIC,ASSY,TOGGLE BOX,MULTIPOSITIONAL,QUANTUM,RIGHT,H-1000-178 | 1 |
| A1b | ELEASMB4949 | ELECTRONIC,ASSY,TOGGLE BOX,MULTIPOSITIONAL,QUANTUM,LEFT,H-1000-177 | 1 |
| B1 | FRMASMB11354 | MOUNTING BRACKET,ASSY,HIGH POWER TOGGLE BOX,W/MOUNTING HARDWARE,MULTI-POSITIONAL | 1 |
| C1 | FRMASMB8929 | MOUNTING BRACKET,ASSY,TOGGLE BOX,W/THREADED INSERTS | 1 |
| D1 | DWR1000C390 | KNOB,BLACK,RUBBER,TOGGLE BOX,C-1000-390 | 1 |

8. Toggle & Push Button User Controls

- Only serviceable components contain callouts. For components without callouts, the entire assembly must be selected.

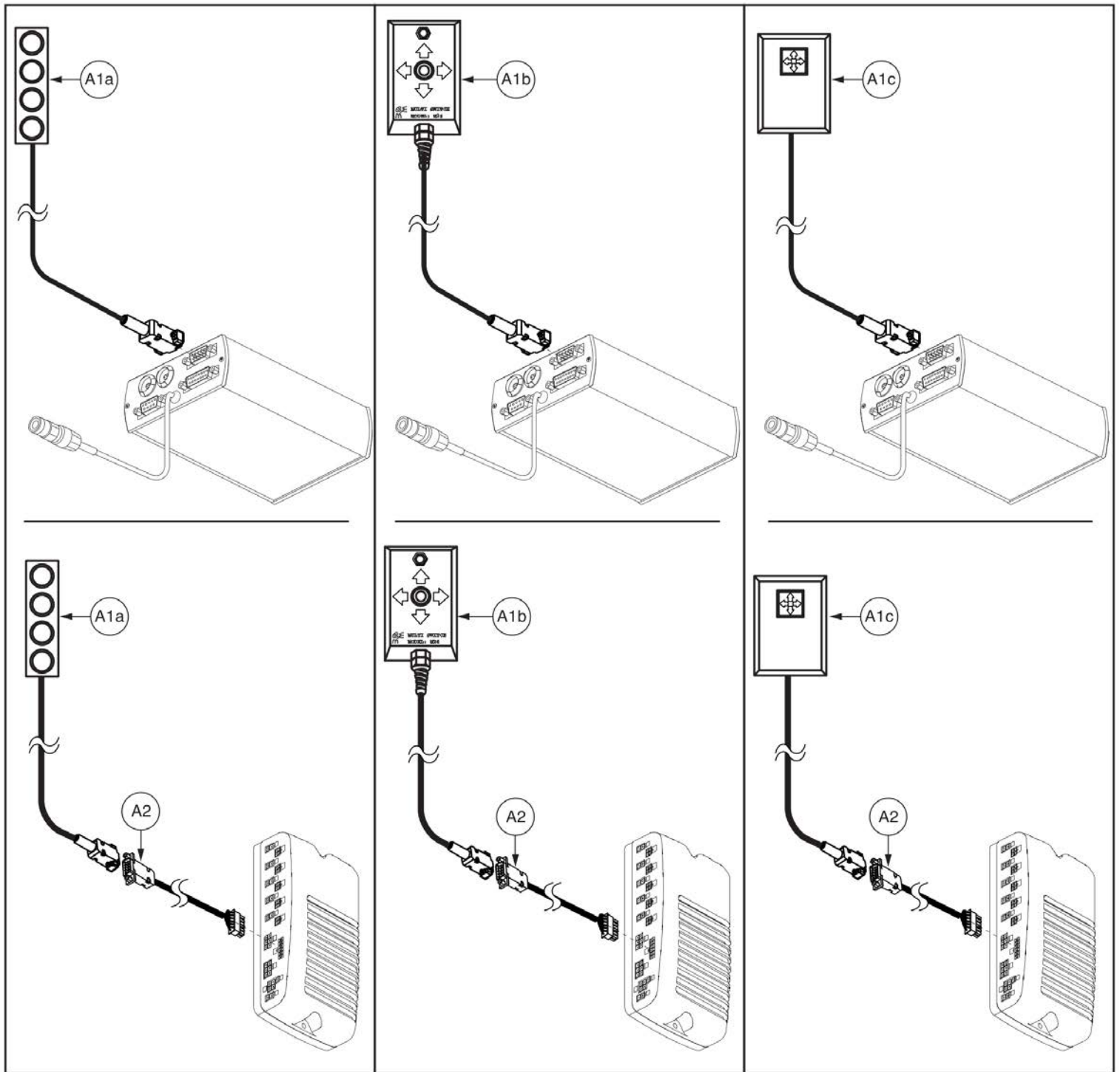


Seating Controls and Mounts, Tubular Arms



| Item | Part No. | Name | Qty |
|------|--------------|---|-----|
| A1 | SWTMCRO1099 | ELECTRONIC,SWITCH,4-WAY TOGGLE,(PME: M26) | 1 |
| A2 | FRMASMB17640 | MOUNTING BRACKET,ASSY,4-WAY TOGGLE SWITCH,W/TOGGLE BOX CLAMP | 1 |
| B1 | SWTMCRO1100 | ELECTRONIC,SWITCH,4-WAY BUTTON TOGGLE,(PME: S12) | 1 |
| B2 | FRMASMB17641 | MOUNTING BRACKET,ASSY,4-WAY BUTTON TOGGLE SWITCH,W/TOGGLE BOX CLAMP | 1 |
| C1 | SWTMCRO1098 | ELECTRONIC,SWITCH,QUAD PUSH BUTTON,(PME: S24) | 1 |
| C2 | FRMASMB17642 | MOUNTING BRACKET,ASSY,QUAD PUSH BUTTON SWITCH,W/TOGGLE BOX CLAMP | 1 |
| D1 | FRMASMB8929 | MOUNTING BRACKET,ASSY,TOGGLE BOX,W/THREADED INSERTS | 1 |
| E1 | SCRPPH1029 | SCREW, PPH,BLACK ZINC,10-32 X 0.375" | 2 |
| F1 | DWR1265H038 | ELECTRONIC,HARNESS,CURTIS/AAM,4 WAY TOGGLE,H-1265-038 | 1 |

8. Toggle & Push Button User Controls

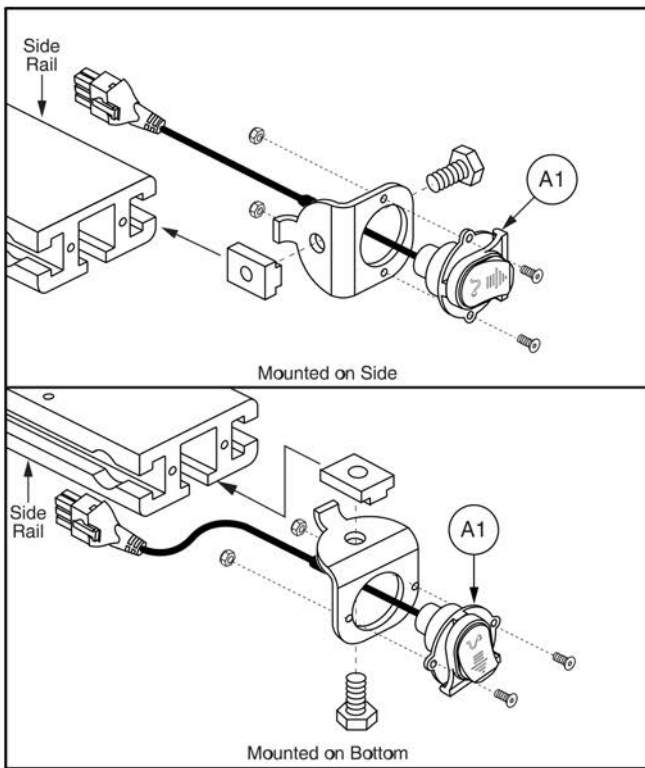


4 Way Seating Controls for AAM and Switch-it



| Item | Part No. | Name | Qty |
|----------|-------------|---|-----|
| A1a - A2 | ELEASMB5924 | ELECTRONIC,ASSY,W/SWITCH & QUAD PUSH BUTTON | 1 |
| A1b - A2 | ELEASMB5925 | ELECTRONIC,ASSY,W/SWITCH & 4-WAY TOGGLE | 1 |
| A1c - A2 | ELEASMB5926 | ELECTRONIC,ASSY,W/SWITCH & 4-WAY BUTTON TOGGLE | 1 |
| A1a | SWTMCRO1098 | ELECTRONIC,SWITCH,QUAD PUSH BUTTON,(PME: S24) | 1 |
| A1b | SWTMCRO1099 | ELECTRONIC,SWITCH,4-WAY TOGGLE,(PME: M26) | 1 |
| A1c | SWTMCRO1100 | ELECTRONIC,SWITCH,4-WAY BUTTON TOGGLE,(PME: S12) | 1 |
| A2 | DWR1265H038 | ELECTRONIC,HARNES, CURTIS/AAM,4 WAY TOGGLE,H-1265-038 | 1 |

9. Curtis Stand-alone Charger Port Assy



| | |
|----|---------------------------------------|
| B1 | Stand Alone Joystick Mounting Bracket |
|----|---------------------------------------|

Assembly must be ordered.
Individual componets are not available .

Mounting Bracket

T-Nut

Nylock Nut

5/16-18 x 0.50"
GR 8 with Patch

4-40 x 0.50"

Curtis Stand Alone Charger Port



| Item | Part No. | Name | Qty |
|------|--------------|---|-----|
| A1 | DWR1111H051 | HARNES,CHARGER/PROGRAMMER,1.0 METER,H-1111-051,(CURTIS: 17880700) | 1 |
| B1 | FRMASMB11156 | MOUNTING BRACKET,ASSY,STAND ALONE JOYSTICK,SIDE RAIL MOUNT,C-1360-163 | 1 |

Appendix A:Pages Index

4 Way Seating Controls for AAM and Switch-it 179

AM1/ AM2 Attendant Control and Recline Plastics 13, 47, 69

AM1/ AM2, Harnesses and Hardware 11, 45, 67

AM1/ AM2, Master Assembly and Modules, After 1/2/12 7, 41, 62

AM1/AM2, Master Assembly and Modules, Before 1/2/12 9, 43, 65

Curtis Stand Alone Charger Port 181

Electronics Box - AAM - Solid Back Plate/ Cane Mount, TB2 151

Electronics Box - ALM - Solid Back Plate/ Cane Mount, TB2 148

Electronics Box - Compact, Solid Back, TB2 159

Electronics Box - Compact, TB2 161

Electronics Box - SingleSwitch - Solid Back Plate/ CaneMount, TB2 155

Electronics Box - Switch-it - Solid Back Plate/ Cane Mount, TB2 153

Electronics Box to Push Bar Mounting Bracket, TB2 157

Electronics Mount - Compact Box Bracket, Offset, 10"-28", TB2 167

Electronics Mount - Compact Ele Box, thru Toggle, Solid Back, TB2 .. 165

Electronics Mount - Compact Ele Box, thru Toggle, TB2 163

Elevate Inhibit Retro Kit, TB2 Lift and Tilt 107, 139

High Power Toggle and Mount, Tubular Arms 175

High Power Toggles and Mounts, Tubular Arms 3

Multiplier & Top Cover Mounting, TB2 Tilt and Recline 109, 137

Q-Logic Electronics, TB2 Lift and Tilt (Config #40) 91

Q-Logic Electronics, TB2 Lift, Tilt and Recline (Config #44) 126

Q-Logic w/ AFP Electronics, TB2 Lift and Tilt (Config #43) 103

Q-Logic w/ AFP Electronics, TB2 Lift, Tilt and Recline (Config #47) ... 135

Q-Logic w/ AFP and Attendant Control Electronics, TB2 Lift and Tilt (Config #43) 105

Q-Logic w/ Attendant Control Electronics, TB2 Lift and Tilt (Config #40) . 93

Q-Logic w/ Comb Legs Electronics, TB2 Lift and Tilt (Config #42) 99

Q-Logic w/ Comb Legs and Attendant Control, TB2 Lift and Tilt (Config #42) 101

Q-Logic w/ Combined Legs Electronics, TB2 Lift, Tilt and Recline (Config #46) 133

Q-Logic w/ Ind Legs Electronics, TB2 Lift and Tilt (Config #41) 95

Q-Logic w/ Ind Legs Electronics, TB2 Lift, Tilt and Recline (Config #45) 129

Q-Logic w/ Ind Legs and Attendant Control Electronics, TB2 Lift and Tilt (Config #41) 97

Q-Logic, LED Lights, Power Seat w/ Tilt or Tilt and Recline 171

Q-Logic, LED Lights, TB2 Recline 173

Q-Logic, LED Lights, TB2 Tilt or Tilt and Recline 169

Remote Plus / Switch-it, Recline Hardware 61

Remote Plus / Switch-it, Recline, Harnesses 59

Remote Plus / Switch-it, Recline, Master Assembly and Switch-it Box .. 57

Remote Plus / Switch-it, Tilt Hardware 37

Remote Plus / Switch-it, Tilt Harnesses 35

Remote Plus / Switch-it, Tilt Master Assembly and Switch-it Box 33

Remote Plus / Switch-it, Tilt and Recline Hardware 85

Remote Plus / Switch-it, Tilt and Recline Harnesses 83

Remote Plus / Switch-it, Tilt and Recline, Attendant Control Hardware .. 86

Remote Plus / Switch-it, Tilt and Recline, Master Assembly and Switch-it Box 81

Remote Plus, ALM-ALM5L Hardware 31

Remote Plus, ALM-ALM5L Harnesses 29

Remote Plus, ALM-ALM5L Master Level Table 27

Seating Controls and Mounts, Tubular Arms 177

TB2 Electronics, Shark, VSI, VR2 Harnesses and Pressure Pads 38, 88

TB2 Lift and Tilt w/ AFP and Attendant Control, Electrical System Diagram . 124

TB2 Lift and Tilt w/ AFP, Electrical System Diagram 122

TB2 Lift and Tilt w/ Attendant Control, Electrical System Diagram 112

TB2 Lift and Tilt w/ Combined Legs and Attendant Control, Electrical System Diagram 120

TB2 Lift and Tilt w/ Combined Legs, Electrical System Diagram 118

TB2 Lift and Tilt w/ Independent Legs Electrical System Diagram 114

TB2 Lift and Tilt w/ Independent Legs and Attendant Control, Electrical System Diagram 116

TB2 Lift and Tilt, Electrical System Diagram 111

TB2 Lift, Tilt, and Recline w/ AFP, Electrical System Diagram 146

TB2 Lift, Tilt, and Recline w/ Combined Legs, Electrical System Diagram ... 144

TB2 Lift, Tilt, and Recline w/ Independent Legs, Electrical System Diagram . 142

TB2 Lift, Tilt, and Recline, Electrical System Diagram 141

TB2 Recline, AAM, Hardware 55

TB2 Recline, AAM, Harnesses 53

TB2 Recline, AAM, Master Assembly, After 1/2/12 49

TB2 Recline, AAM, Master Assembly, Before 1/2/12 51

TB2 Single Switch through Current Limit Box 5

TB2 Tilt and Recline, AAM Master Assembly, After 1/2/12 71

TB2 Tilt and Recline, AAM Master Assembly, Before 1/2/12 75

TB2 Tilt and Recline, AAM, Hardware 79

TB2 Tilt and Recline, AAM, Harnesses 77

TB2 Tilt, AAM, Hardware 25

TB2 Tilt, AAM, Harnesses 23

TB2 Tilt, AAM, Master Assembly, After 1/2/12 15

TB2 Tilt, AAM, Master Assembly, Before 1/2/12 19

Tilt thru Toggle Harness and Inhibit Assy 1

Appendix B:Parts Index

BRK8110019 14, 48, 56, 70, 80, 110, 138
 CLPCBLC1025 2, 6, 12, 26, 32, 40, 46, 68, 90
 CTL137822 14, 24, 48, 54, 70, 78, 94, 98, 102, 106, 128, 130, 134, 136
 CTLDC1130 28
 CTLDC1373 28
 CTLDC1387 34, 58, 82
 DWR1000C390 4, 176
 DWR1010B161 170, 172, 174
 DWR1010B173 172, 174
 DWR1010C318 170
 DWR1010C319 170
 DWR1010C337 174
 DWR1010D298 14, 26, 48, 56, 70, 80, 94, 98, 102, 106, 128, 130, 134,
 136
 DWR1010E765 170, 172
 DWR1111H047 12, 24, 46, 54, 68, 78, 92, 94, 96, 98, 100, 102, 104, 106,
 128, 130, 134, 136, 170, 172, 174
 DWR1111H051 182
 DWR1111H053 14, 24, 48, 54, 70, 78, 94, 98, 102, 106, 110, 128, 130,
 134, 136, 138, 170, 172, 174
 DWR1265C069 2, 6, 32, 40, 90
 DWR1265H001 2, 6, 12, 24, 30, 40, 46, 68, 78, 84, 90
 DWR1265H004 12, 24, 46, 68, 78
 DWR1265H005 24, 30, 36, 54, 60, 78, 84, 100, 102, 134
 DWR1265H006 24, 30, 54, 60, 78, 84, 96, 98, 130
 DWR1265H007 12, 24, 30, 36, 46, 54, 60, 68, 78, 84, 96, 98, 104, 106,
 130, 136
 DWR1265H008 36, 60, 84
 DWR1265H009 84
 DWR1265H011 2, 6, 30, 40, 90
 DWR1265H012 2
 DWR1265H016 12, 24, 46, 54, 68, 78
 DWR1265H017 12, 24, 46, 54, 60, 68, 78, 84
 DWR1265H018 36
 DWR1265H019 30
 DWR1265H024 40, 90
 DWR1265H028 2, 30, 40, 90
 DWR1265H038 178, 180
 DWR1265H039 2, 6, 30, 40, 90
 DWR1265H043 92, 94, 96, 98, 100, 102, 104, 106, 128, 130, 134, 136
 DWR1265H044 92, 94, 96, 98, 100, 102, 104, 106, 128, 130, 134, 136
 DWR1265H047 170, 172
 DWR1265H051 174
 DWR1265H052 2
 DWR1265H057 2
 DWR1265H083 92, 94, 96, 98, 100, 102, 104, 106, 128, 130, 134, 136
 DWR1290C085 92, 94, 96, 98, 100, 102, 104, 106, 108, 128, 130, 134,
 136, 140
 DWR1291B012 92, 94, 96, 98, 100, 102, 104, 106, 128, 130, 134, 136
 DWR1303B026 12, 26, 32, 46, 56, 68, 80, 96, 98, 100, 102, 104, 106, 130,

134, 136
 DWR1360A004 80, 174
 DWR1361H030 18, 22, 50, 52, 74, 76
 DWR1361H037 30
 DWR1367D078 110, 138
 DWR1367H002 82
 DWR1367H003 82
 DWR1367H006 58
 DWR1367H007 58
 DWR1367H009 34
 DWR1367H010 82
 DWR1367H013 82
 DWR1367H014 82
 DWR1367H017 58
 DWR1367H019 58
 DWR1367H021 34
 DWR1367H022 82
 DWR1367H024 58
 DWR1367H025 82
 DWR1367H026 82
 DWR1367H027 82
 DWR1367H028 82
 DWR1367H029 58
 DWR1367H030 34
 DWR1367H031 34
 ELE121670 16
 ELE121671 16
 ELE121672 72
 ELE121673 72
 ELE121676 50
 ELE121677 50
 ELE121679 8, 42, 64
 ELE121680 8, 42, 64
 ELE142518 40, 90
 ELE142519 2, 6, 12, 24, 30, 40, 46, 68, 90
 ELEASMB3524 4
 ELEASMB3525 4
 ELEASMB4949 176
 ELEASMB4950 176
 ELEASMB5143 40, 90
 ELEASMB5147 2
 ELEASMB5154 16
 ELEASMB5156 4, 176
 ELEASMB5157 4, 176
 ELEASMB5350 16
 ELEASMB5351 16
 ELEASMB5366 40, 90
 ELEASMB5372 16
 ELEASMB5375 16
 ELEASMB5376 16
 ELEASMB5497 16

| | | | |
|-------------|----------|-------------|-----------|
| ELEASMB5498 | 16 | ELEASMB5720 | 170 |
| ELEASMB5499 | 16 | ELEASMB5780 | 16 |
| ELEASMB5500 | 16 | ELEASMB5781 | 16 |
| ELEASMB5501 | 16 | ELEASMB5813 | 16 |
| ELEASMB5502 | 16 | ELEASMB5816 | 16 |
| ELEASMB5503 | 72 | ELEASMB5817 | 16 |
| ELEASMB5504 | 72 | ELEASMB5818 | 16 |
| ELEASMB5505 | 72 | ELEASMB5819 | 16 |
| ELEASMB5506 | 72 | ELEASMB5820 | 16 |
| ELEASMB5507 | 72 | ELEASMB5821 | 16 |
| ELEASMB5508 | 72 | ELEASMB5822 | 72 |
| ELEASMB5509 | 50 | ELEASMB5823 | 72 |
| ELEASMB5510 | 50 | ELEASMB5824 | 72 |
| ELEASMB5511 | 50 | ELEASMB5825 | 72 |
| ELEASMB5512 | 50 | ELEASMB5826 | 72 |
| ELEASMB5513 | 50 | ELEASMB5827 | 72 |
| ELEASMB5514 | 50 | ELEASMB5828 | 50 |
| ELEASMB5520 | 2 | ELEASMB5829 | 50 |
| ELEASMB5602 | 16 | ELEASMB5830 | 50 |
| ELEASMB5604 | 16 | ELEASMB5831 | 50 |
| ELEASMB5605 | 16 | ELEASMB5832 | 50 |
| ELEASMB5606 | 72 | ELEASMB5833 | 50 |
| ELEASMB5607 | 72 | ELEASMB5924 | 180 |
| ELEASMB5608 | 50 | ELEASMB5925 | 180 |
| ELEASMB5609 | 50 | ELEASMB5926 | 180 |
| ELEASMB5620 | 50 | ELEASMB5998 | 40, 90 |
| ELEASMB5621 | 50 | ELEASMB6031 | 2 |
| ELEASMB5622 | 50 | ELEASMB6035 | 8, 42, 64 |
| ELEASMB5623 | 50 | ELEASMB6036 | 8, 42, 64 |
| ELEASMB5624 | 50 | ELEASMB6043 | 8, 42, 64 |
| ELEASMB5625 | 50 | ELEASMB6044 | 8, 42, 64 |
| ELEASMB5626 | 50 | ELEASMB6045 | 8, 42, 64 |
| ELEASMB5627 | 50 | ELEASMB6096 | 128 |
| ELEASMB5628 | 16 | ELEASMB6097 | 130 |
| ELEASMB5629 | 16, 16 | ELEASMB6098 | 134 |
| ELEASMB5630 | 16 | ELEASMB6099 | 136 |
| ELEASMB5631 | 16 | ELEASMB6100 | 92 |
| ELEASMB5632 | 18 | ELEASMB6101 | 94 |
| ELEASMB5633 | 18 | ELEASMB6102 | 96 |
| ELEASMB5634 | 18 | ELEASMB6103 | 98 |
| ELEASMB5635 | 18 | ELEASMB6104 | 100 |
| ELEASMB5636 | 72 | ELEASMB6105 | 102 |
| ELEASMB5637 | 72 | ELEASMB6106 | 104 |
| ELEASMB5638 | 72 | ELEASMB6107 | 106 |
| ELEASMB5639 | 72 | ELEASMB6108 | 128 |
| ELEASMB5640 | 72 | ELEASMB6109 | 130 |
| ELEASMB5641 | 72 | ELEASMB6110 | 134 |
| ELEASMB5642 | 72 | ELEASMB6111 | 136 |
| ELEASMB5643 | 72 | ELEASMB6112 | 92, 94 |
| ELEASMB5694 | 40, 90 | ELEASMB6113 | 96, 98 |
| ELEASMB5719 | 172, 174 | ELEASMB6114 | 100, 102 |

| | | | |
|----------------|---------------|----------------|------------|
| ELEASMB6115 | 104, 106 | ELEASMB7110066 | 22 |
| ELEASMB6210 | 174 | ELEASMB7110068 | 76 |
| ELEASMB6211 | 170, 172 | ELEASMB7110070 | 76 |
| ELEASMB6213 | 170, 172, 174 | ELEASMB7110072 | 76 |
| ELEASMB6386 | 40, 90 | ELEASMB7110074 | 76 |
| ELEASMB6389 | 2 | ELEASMB7110076 | 76 |
| ELEASMB6390 | 40, 90 | ELEASMB7110078 | 76 |
| ELEASMB6395 | 2 | ELEASMB7110080 | 76 |
| ELEASMB6396 | 40, 90 | ELEASMB7110082 | 76 |
| ELEASMB6397 | 40, 90 | ELEASMB7110084 | 76 |
| ELEASMB6429 | 8, 42, 64 | ELEASMB7110086 | 76 |
| ELEASMB6433 | 8, 42, 64 | ELEASMB7110088 | 76 |
| ELEASMB6435 | 8, 42, 64 | ELEASMB7110091 | 52 |
| ELEASMB6573 | 8, 42, 64 | ELEASMB7110093 | 52 |
| ELEASMB6574 | 8, 42, 64 | ELEASMB7110095 | 52 |
| ELEASMB6578 | 8, 42, 64 | ELEASMB7110097 | 52 |
| ELEASMB6639 | 8, 42, 64 | ELEASMB7110099 | 52 |
| ELEASMB6640 | 8, 42, 64 | ELEASMB7110101 | 52 |
| ELEASMB6641 | 8, 42, 64 | ELEASMB7110103 | 52 |
| ELEASMB6642 | 14, 48, 70 | ELEASMB7110105 | 52 |
| ELEASMB7096 | 40, 90 | ELEASMB7110107 | 52 |
| ELEASMB7097 | 40, 90 | ELEASMB7110109 | 52 |
| ELEASMB7098 | 40, 90 | ELEASMB7110111 | 52 |
| ELEASMB7099 | 40, 90 | ELEASMB7110113 | 92, 94 |
| ELEASMB7100 | 8, 42, 64 | ELEASMB7110115 | 96, 98 |
| ELEASMB7101 | 8, 42, 64 | ELEASMB7110117 | 100, 102 |
| ELEASMB7102 | 8, 42, 64 | ELEASMB7110119 | 104, 106 |
| ELEASMB7103 | 8, 42, 64 | ELEASMB7110121 | 128 |
| ELEASMB7107 | 16 | ELEASMB7110123 | 132 |
| ELEASMB7108 | 16 | ELEASMB7110125 | 134 |
| ELEASMB7109 | 16 | ELEASMB7110127 | 136 |
| ELEASMB7110 | 72 | ELEASMB7110158 | 10, 44, 66 |
| ELEASMB7110035 | 170, 172, 174 | ELEASMB7110161 | 10, 44, 66 |
| ELEASMB7110036 | 10, 44, 66 | ELEASMB7110162 | 10, 44, 66 |
| ELEASMB7110037 | 10, 44, 66 | ELEASMB7110163 | 10, 44, 66 |
| ELEASMB7110038 | 10, 44, 66 | ELEASMB7110165 | 10, 44, 66 |
| ELEASMB7110039 | 10, 44, 66 | ELEASMB7110166 | 10, 44, 66 |
| ELEASMB7110040 | 10, 44, 66 | ELEASMB7110168 | 10, 44, 66 |
| ELEASMB7110041 | 10, 44, 66 | ELEASMB7110169 | 10, 44, 66 |
| ELEASMB7110042 | 10, 44, 66 | ELEASMB7110171 | 10, 44, 66 |
| ELEASMB7110043 | 10, 44, 66 | ELEASMB7110172 | 10, 44, 66 |
| ELEASMB7110044 | 20 | ELEASMB7110174 | 10, 44, 66 |
| ELEASMB7110047 | 20, 20 | ELEASMB7110176 | 10, 44, 66 |
| ELEASMB7110049 | 20 | ELEASMB7110178 | 10, 44, 66 |
| ELEASMB7110051 | 20 | ELEASMB7110179 | 10, 44, 66 |
| ELEASMB7110052 | 20 | ELEASMB7110181 | 20 |
| ELEASMB7110055 | 20 | ELEASMB7110182 | 20 |
| ELEASMB7110057 | 20 | ELEASMB7110186 | 20 |
| ELEASMB7110059 | 20 | ELEASMB7110187 | 20 |
| ELEASMB7110062 | 22 | ELEASMB7110190 | 20 |
| ELEASMB7110064 | 22 | ELEASMB7110192 | 20 |

| | | | |
|----------------|----|----------------|---|
| ELEASMB7110193 | 20 | ELEASMB7113 | 72 |
| ELEASMB7110194 | 20 | ELEASMB7114 | 72 |
| ELEASMB7110206 | 20 | ELEASMB7115 | 72 |
| ELEASMB7110207 | 20 | ELEASMB7116 | 72 |
| ELEASMB7110208 | 20 | ELEASMB7117 | 16 |
| ELEASMB7110209 | 20 | ELEASMB7120023 | 170, 172, 174 |
| ELEASMB7110210 | 20 | ELEASMB7120024 | 170, 172, 174 |
| ELEASMB7110211 | 20 | ELEASMB7120025 | 170, 172, 174 |
| ELEASMB7110212 | 20 | ELEASMB7120026 | 170, 172, 174 |
| ELEASMB7110213 | 20 | ELEASMB7159 | 8, 42, 64 |
| ELEASMB7110214 | 20 | ELEASMB7160 | 8, 42, 64 |
| ELEASMB7110215 | 20 | ELEASMB7162 | 8, 42, 64 |
| ELEASMB7110216 | 20 | ELEASMB7163 | 8, 42, 64 |
| ELEASMB7110217 | 20 | ELEASMB7211 | 16 |
| ELEASMB7110218 | 20 | ELEASMB7336 | 92, 94, 96, 98, 100, 102, 104, 106, 108, 128, 130, 134, 136, 140 |
| ELEASMB7110219 | 20 | ELESWRP1003 | 2, 6, 12, 26, 32, 40, 46, 56, 68, 80, 90, 170, 172, 174 |
| ELEASMB7110220 | 20 | ELESWRP1008 | 92, 94, 96, 98, 100, 102, 104, 106, 128, 130, 134, 136 |
| ELEASMB7110221 | 20 | FRMASMB10455 | 14, 26, 48, 56, 70, 80, 94, 98, 102, 106, 128, 130, 134, 136 |
| ELEASMB7110222 | 76 | FRMASMB10499 | 150 |
| ELEASMB7110223 | 76 | FRMASMB10501 | 154 |
| ELEASMB7110224 | 76 | FRMASMB10502 | 150 |
| ELEASMB7110225 | 76 | FRMASMB10503 | 152 |
| ELEASMB7110226 | 76 | FRMASMB10504 | 154 |
| ELEASMB7110227 | 76 | FRMASMB10938 | 170, 172, 174 |
| ELEASMB7110228 | 76 | FRMASMB11069 | 156 |
| ELEASMB7110229 | 76 | FRMASMB11156 | 182 |
| ELEASMB7110230 | 76 | FRMASMB11354 | 4, 176 |
| ELEASMB7110231 | 76 | FRMASMB14207 | 162 |
| ELEASMB7110232 | 76 | FRMASMB14208 | 160 |
| ELEASMB7110233 | 76 | FRMASMB14496 | 2, 6, 32, 40, 90 |
| ELEASMB7110234 | 76 | FRMASMB15905 | 164 |
| ELEASMB7110235 | 76 | FRMASMB15906 | 166 |
| ELEASMB7110250 | 76 | FRMASMB16405 | 168 |
| ELEASMB7110251 | 76 | FRMASMB16406 | 168 |
| ELEASMB7110252 | 76 | FRMASMB16407 | 168 |
| ELEASMB7110253 | 76 | FRMASMB17094 | 168 |
| ELEASMB7110259 | 52 | FRMASMB17640 | 178 |
| ELEASMB7110260 | 52 | FRMASMB17641 | 178 |
| ELEASMB7110261 | 52 | FRMASMB17642 | 178 |
| ELEASMB7110262 | 52 | FRMASMB8929 | 4, 176, 178 |
| ELEASMB7110263 | 52 | FRMASMB9636 | 4 |
| ELEASMB7110264 | 52 | FRMASMB9898 | 158 |
| ELEASMB7110265 | 52 | HARUSHD2081 | 60, 84 |
| ELEASMB7110274 | 52 | HARUSHD2189 | 30, 36, 60, 84 |
| ELEASMB7110275 | 52 | MEC138556 | 26, 56, 80, 92, 94, 96, 98, 100, 102, 104, 106, 128, 130, 134, 136 |
| ELEASMB7110276 | 52 | MEC138637 | 12, 46, 68, 170, 172, 174 |
| ELEASMB7110277 | 52 | NUT8120005 | 12, 26, 32, 46, 56, 68, 96, 98, 100, 102, 130, 134 |
| ELEASMB7110417 | 20 | NUTJAM1032 | 12, 26, 32, 46, 56, 68, 80, 96, 98, 100, 102, 104, 106, 130, 134, 136 |
| ELEASMB7110419 | 20 | | |
| ELEASMB7111 | 72 | NUTNYLK1018 | 170, 172 |
| ELEASMB7112 | 72 | NUTNYLK1020 | 170 |

NUTNYLK1065 170, 172, 174
 NUTNYLK1106 . 2, 6, 32, 40, 90, 92, 94, 96, 98, 100, 102, 104, 106, 128,
 130, 134, 136
 PLSASMB2069 14, 48, 56, 70, 80, 110, 128, 130, 134, 136, 138
 PLSASMB2077 160, 162, 164, 166
 PLSTIE1004 . 2, 6, 12, 26, 32, 40, 46, 56, 68, 80, 90, 92, 94, 96, 98, 100,
 102, 104, 106, 128, 130, 134, 136, 170, 172, 174
 PLSTIE1005 56, 80, 128, 130, 134, 136
 SCRASBH1148 2, 6, 32, 40, 90
 SCRASBH1157 170, 172
 SCRASBH1277 . . . 92, 94, 96, 98, 100, 102, 104, 106, 128, 130, 134, 136
 SCRHHCS1256 80, 174
 SCRHHCS1382 12, 26, 32, 46, 56, 68, 96, 98, 100, 102, 130, 134
 SCRPFH1076 . 2, 6, 32, 92, 94, 96, 98, 100, 102, 104, 106, 128, 130, 134,
 136
 SCRPFH1083 . 92, 94, 96, 98, 100, 102, 104, 106, 108, 128, 130, 134, 136,
 140
 SCRPPH1029 178
 SCRPPH1031 . 12, 14, 26, 46, 48, 56, 68, 70, 80, 110, 110, 128, 130, 134,
 136, 138, 138
 SCRPPH1072 170, 172
 SCRPPH1076 40, 90
 SCRPPH1080 . 12, 26, 46, 56, 68, 80, 92, 94, 96, 98, 100, 102, 104, 106,
 110, 128, 130, 134, 136, 138, 174
 SCRPPH1165 . 14, 26, 48, 56, 70, 80, 94, 98, 102, 106, 128, 130, 134, 136
 SCRPPH1290 92, 94, 96, 98, 100, 102, 104, 106, 128, 130, 134, 136
 SCRPPH1379 14, 48, 56, 70, 80, 110, 138
 SCRPPH1419 . 92, 94, 96, 98, 100, 102, 104, 106, 108, 128, 130, 134, 136,
 140
 SCRSHCS1096 172, 174
 SCRSHCS1127 170
 SCRSHCS1237 170, 172, 174
 SWTMAGN1001 12, 24, 36, 46, 54, 60, 68, 78, 84
 SWTMCRO1098 178, 180
 SWTMCRO1099 178, 180
 SWTMCRO1100 178, 180
 WASSTND1002 12, 26, 32, 46, 56, 68, 80, 96, 98, 100, 102, 130, 134
 WASSTND1155 . . 12, 26, 32, 46, 56, 68, 80, 96, 98, 100, 102, 104, 106,
 130, 134, 136

Illustrated Parts Breakdown

USA - Quantum Rehab

401 York Avenue
Duryea, Pa 18642
www.quantumrehab.com

USA - Pride Mobility Products Corp.

182 Susquehanna Avenue
Exeter, Pa 18643
www.pridemobility.com

Canada

5096 South Service Road
Beamsville, Ontario L0R 1B3
www.pridemobility.ca
www.quantumrehab.com

Australia

20-24 Apollo Drive
Hallam, Victoria 3803
www.pridemobility.com.au
www.quantumrehab.com.au

New Zealand

38 Lansford Crescent
Avondale, Auckland 0600
www.pridemobility.co.nz

UK

32 Wedgwood Road
Bicester, Oxfordshire OX26 4UL
www.pride-mobility.co.uk
www.quantumrehab.co.uk

Netherlands

(Authorised EU Representative)

De Zwaan 3
1601 MS Enkhuizen
www.pridemobility.eu
www.quantumrehab.eu

Italy

Via del Progresso, ang. Via del Lavoro
Loc. Prato della Corte
00065 Fiano Romano (RM)
www.pride-italia.it
www.quantumrehab-italia.it

France

26 Rue Monseigneur Ancel
69800 Saint-Priest
www.pridemobility.fr
www.quantumrehab.fr

Spain

Calle Las Minas Número 67
Polígono Industrial Urtinsa II, de Alcorcón
28923 Madrid

Germany

Hövelrieger Str. 28
33161 Hövelhof
www.pridemobility.de

China

Room 508, Building #4
TianNa Business Zone
No. 500 Jianyun Road
Pudong New Area
Shanghai 201318

