

# *TRU-Balance Bariatric Tilt*

**PRIDE**<sup>®</sup>  
MOBILITY  
LIVE YOUR BEST<sup>®</sup>

**Q**  
QUANTUM<sup>®</sup>

## Illustrated Parts Breakdown



This Illustrated Parts Breakdown (IPB) Catalog has been compiled from the latest product information available at the time of publication. Quantum Rehab<sup>®</sup> / Pride Mobility Products<sup>®</sup> Corporation reserves the right to make changes and updates to this manual and to the product(s) it represents. Any changes, updates, or improvements to the product(s) may result in slight differences between this manual and the product that has been purchased.

An IPB is a graphically portrayed parts listing of product components which have been deemed to have serviceable, maintenance significance. When applicable, IPBs utilize “exploded” illustrations that detail serviceable components and a corresponding itemized parts list of reference numbers, part numbers, descriptions, quantities, and any applicable pricing. Most product components are incorporated into assemblies and may not be available for replacement.

Serviceable components will be noted by a callout in the illustration that will correspond to a alphanumeric reference number in the parts list. Items may also be listed in the parts list by parent assemblies. In most cases when a parent assembly is listed, there will be child parts or sub-assemblies listed under that parent.

For example: The parent assembly reference number is A1 — A5. That part contains all of the items listed as and contained within A1, A2, A3, A4, & A5. As long as these subcomponents have a callout associated with them, they can be selected for replacement or quote.

Updates to the contents of an IPB will be made on a regular basis based upon applicable product changes and enhancements. This PDF catalog has been export from the Provider based service site. The most up to date parts look up tool and ordering application is located at: [prideprovider.com](http://prideprovider.com). Please utilize this system to enhance your user experience. It is built with highly interactive materials that are set with relational properties that will facilitate easier part look-up, more accurate parts selection, notification of onhand part availability, and quick links to related documents and products.

We welcome all questions and comments regarding the Quantum Rehab<sup>®</sup> / Pride Mobility Products<sup>®</sup> Corporation IPB systems.

Any pricing that is included in Quantum Rehab<sup>®</sup> /Pride Mobility Products<sup>®</sup> Corporation IPBs is subject to change without prior notice.

Thank you for choosing products from Quantum Rehab<sup>®</sup> and Pride Mobility Products<sup>®</sup> Corporation.



## Mechanical & Seating Components

### 1. Bariatric Tilt Assy's, Bases, & Seat Interfaces

#### 1.1. Tilt Bases w/ Seat Interfaces

##### Serial Number Y0121912196060 and Prior

Tilt Base w/ Seat Interface, Version 1 - Bariatric Tilt	1
Tilt Base w/ Seat Interface, 12" Centers, Version 1 - Bariatric Tilt	3

##### Serial Number Y0121912196060 and Subsequent

Tilt Base w/ Seat Interface, Version 2 - Bariatric Tilt	5
---	---

#### 1.2. Tilt Bases

##### Serial Number Y0121912196060 and Prior

Tilt Base, Version 1 - Bariatric Tilt	7
---------------------------------------	---

##### Serial Number Y0121912196060 and Subsequent

Tilt Base, Version 2 - Bariatric Tilt	9
---------------------------------------	---

### 2. Seat Towers

Fixed Towers, Bariatric Tilt	11
Angle Adjustable Seat Towers, Bariatric Tilt	13

### 3. Side Rails

Side Rail, 15"D-20"D, Textured, Bariatric Tilt	15
Side Rail, 20"D-24"D, Textured, Bariatric Tilt	17
Side Rail, 24"D-28"D, HD, Bariatric Tilt	19

### 4. Seat Pans

Seat Pans, Bariatric Tilt	21
---------------------------	----

### 5. Back Cane Assy's

#### 5.1 Angle Adjustable Back Cane Bracket Assy's

Back Cane Angle Adjustable Bracket, Version 2, Bariatric Tilt	23
Back Cane Angle Adjustable Bracket for Transit Units, Bariatric Tilt	25

#### 5.2. Mesomorph Back Cane Bracket Assy's

Mesomorph Back Cane Bracket - 1" Out, Version 2, Bariatric Tilt	27
Mesomorph Back Cane Bracket - 1" Out for Transit Units, Bariatric Tilt	29
Mesomorph Back Cane Bracket - 2" Out, Version 2, Bariatric Tilt	31
Mesomorph Back Cane Bracket - 2" Out for Transit Units, Bariatric Tilt	33

#### 5.3. Endomorph Back Cane Bracket Assy's

Endomorph Back Cane Bracket - 1" In, Version 2, Bariatric Tilt	35
Endomorph Bracket - 1" Out for Transit Units, Bariatric Tilt	37
Endomorph Back Cane Bracket - 2" In, Version 2, Bariatric Tilt	39
Endomorph Bracket - 2" Out for Transit Units, Bariatric Tilt	41

#### 5.4. Back Cane Extrusions

Back Cane Extrusion w/ Short Push Handles, 14"-25" Height, Version 2, Bariatric Tilt	43
Back Cane Extrusion - Straight, 14"-25" Height, Version 2, Bariatric Tilt	45

### 6. Rigidizing Bar Assy's

Push Bar - HD, 20"-28" W, Bariatric Tilt	47
--	----

### 7. Back Pan and Cushion Assy's

**7.1. Standard Back Assy's**

Standard Back - 20" Width, Bariatric Tilt . . . . . 49  
Standard Back - 21" Width, Bariatric Tilt . . . . . 51  
Standard Back - 22" Width, Bariatric Tilt . . . . . 53  
Standard Back - 23" Width, Bariatric Tilt . . . . . 55  
Standard Back - 24" Width, Bariatric Tilt . . . . . 57  
Standard Back - 25" Width, Bariatric Tilt . . . . . 59  
Standard Back - 26" Width, Bariatric Tilt . . . . . 61  
Standard Back - 27" Width, Bariatric Tilt . . . . . 63  
Standard Back - 28" Width, Bariatric Tilt . . . . . 65  
Standard Back - 29" Width, Bariatric Tilt . . . . . 67  
Standard Back - 30" Width, Bariatric Tilt . . . . . 69  
Standard Back - 31" Width, Bariatric Tilt . . . . . 71  
Standard Back - 32" Width, Bariatric Tilt . . . . . 73  
Synergy Standard Back Lateral Extensions, Bariatric Tilt . . . . . 75

**7.2. A.R.T. Group Solid Curved Back Assy's (Discontinued)**

Solid Curved Back, 19"-21" Width . . . . . 77  
Solid Curved Back, 22"-24" Width . . . . . 78  
Solid Curved Back, HD, 25"-26" Width . . . . . 81  
Solid Curved Back, HD, 27"-28" Width . . . . . 83  
Solid Curved Back, HD, 29"-30" Width . . . . . 85  
Solid Curved Back, HD, 31"-32" Width . . . . . 87

**7.3. Solid Back Plates (Discontinued)**

Solid Back Plate and Cushion 20" Width . . . . . 89  
Solid Back Plate and Cushion 21" Width . . . . . 91  
Solid Back Plate and Cushion 22" Width . . . . . 93  
Solid Back Plate and Cushion 23" Width . . . . . 95  
Solid Back Plate and Cushion 24" Width . . . . . 97

**8. Lap Belts**

Lap Belts, Adult . . . . . 99

**9. Headrests**

TRU-Comfort Headrest Assembly - 8", Bariatric Tilt . . . . . 101  
TRU-Comfort Headrest Assy - 10", Bariatric Tilt . . . . . 103  
Standard Headrests, Bariatric Tilt . . . . . 105

**10. Electronics Box and Mount**

**10.1. Electronics Box Assy's**

**Bracket Mounted**

Electronics Box - AAM, Box Only, Bariatric Tilt . . . . . 107  
Electronics Box - Single Switch, Box Only, Bariatric Tilt . . . . . 109  
Electronics Box - Compact, Bariatric Tilt . . . . . 111  
Electronics Mount - Compact Ele Box, thru Toggle, Bariatric Tilt . . . . . 113

**Solid Back Mounted**

Electronics Box - AAM - Solid Back Plate/ Cane Mount, Bariatric Tilt . . . . . 115  
Electronics Box - SingleSwitch - Solid Back Plate/ CaneMount, Bariatric Tilt . . . . . 117  
Electronics Box - Compact, Solid Back, Bariatric Tilt . . . . . 119  
Electronics Mount - Compact Ele Box, thru Toggle, Solid Back . . . . . 121

**10.2. Electronics Box Mounting Bracket Assy's**

Electronics Box Mounting Brackets, 18"-24"W, Offset . . . . . 123  
Electronic Box Mounting Brackets, 22"-28"W, Offset . . . . . 125  
ElectronicsBox Mounting Brackets, 26"-32"W, Offset . . . . . 127

## 11. Owner's & Decal Packages

Owner's Package, Bariatric Tilt	129
Decal Package, Bariatric Tilt	131

## Electrical Components

### 1. Q-Logic / NE+ Tilt thru Joystick

NE+/QLogic(AM1) Tilt thru Joystick Electronics, Bariatric Tilt	133
NE+/Q-Logic (AM2) Tilt thru Joystick w/ AFP, Bariatric Tilt	135
Q-Logic(AAM) Tilt thru Joystick Electronics, Bariatric Tilt	137
Q-Logic(AAM) Tilt thru Joystick w/ AFP Electronics, Bariatric Tilt	139
Q-Logic 3 Seating Modules, Mounts, and Bus Cables - Bariatric Tilt Seating Systems	141

### 2. VR2 Tilt thru Joystick

VR2 Tilt thru Joystick Electronics, Bariatric Tilt	143
VR2 40° Tilt thru Joystick Electronics, Bariatric Tilt	145

### 3. Tilt thru Toggle

Q-Logic / NE+ / Remote Plus/ VR2 Tilt thru Toggle Electronics, Bariatric Tilt	147
NE Tilt thru Toggle Electronics, Bariatric Tilt	149
High Power Toggle and Mount, Tubular Arms	151

### 4. Tilt thru Single Switch (Remote Plus)

Remote Plus Tilt thru Single Switch Electronics, Bariatric Tilt	153
---	-----

### 5. Electronics Box and Mount

#### 5.1. Electronics Box Assy's

##### Bracket Mounted

Electronics Box - AAM, Box Only, Bariatric Tilt	155
Electronics Box - Single Switch, Box Only, Bariatric Tilt	157
Electronics Box - Compact, Bariatric Tilt	159
Electronics Mount - Compact Ele Box, thru Toggle, Bariatric Tilt	161

##### Solid Back Mounted

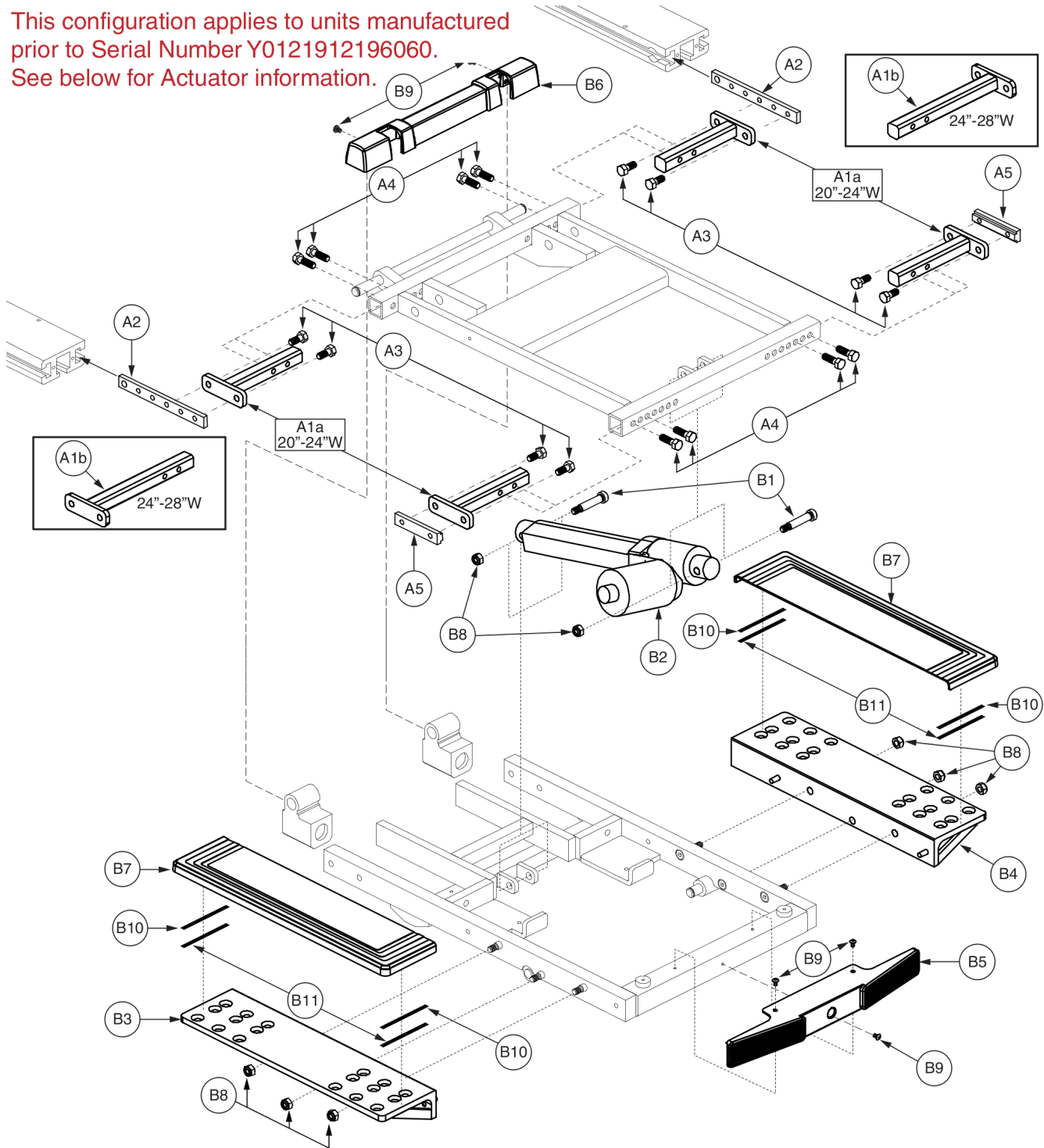
Electronics Box - AAM - Solid Back Plate/ Cane Mount, Bariatric Tilt	163
Electronics Box - SingleSwitch - Solid Back Plate/ CaneMount, Bariatric Tilt	165
Electronics Box - Compact, Solid Back, Bariatric Tilt	167
Electronics Mount - Compact Ele Box, thru Toggle, Solid Back	169

#### 5.2. Electronics Box Mounting Bracket Assy's

Electronics Box Mounting Brackets, 18"-24"W, Offset	171
Electronic Box Mounting Brackets, 22"-28"W, Offset	173
ElectronicsBox Mounting Brackets, 26"-32"W, Offset	175
Quantum Test Harness	177
Appendix A:Pages Index	179
Appendix B:Parts Index	180

**Serial Number Y0121912196060 and Prior**

This configuration applies to units manufactured prior to Serial Number Y0121912196060. See below for Actuator information.



**Version 1: ACCACTR1038 (148mm Stroke) Label**

MBL a/s			
Type / IP	: LL-5001/24	Item No	: 94QD14
Max load	: 6000 N	MC No.	: TRA1000
Duty cycle	: Max. 30%	Revision	: 2
Power Rating	: 24VDC Max 6 Amp	Prod date	: xx.xx.xxxx
WARNING: Improper use may cause damage or injury. Read installing advice before use. Only to be opened by authorized personnel.			

**Version 2: ACCACTR1054 (166mm Stroke) Label**

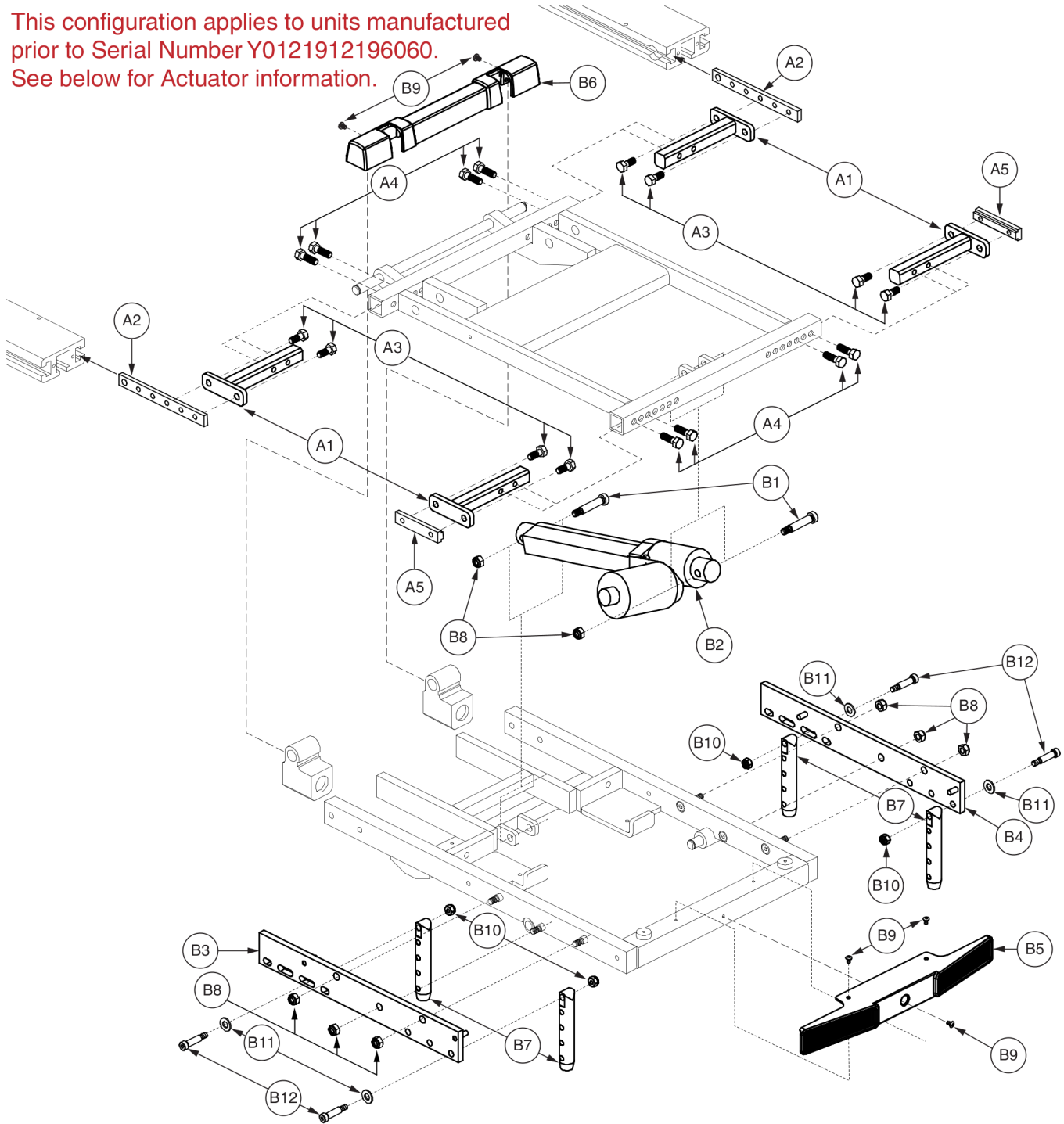
MBL a/s			
Type / IP	: LL-5001/24	Item No	: 94QD1FB1
Max load	: 6000 N	MC No.	: TRA1000
Duty cycle	: Max. 30%	Revision	: 2
Power Rating	: 24VDC Max 6 Amp	Prod date	: xx.xx.xxxx
WARNING: Improper use may cause damage or injury. Read installing advice before use. Only to be opened by authorized personnel.			

Near S/N Y0121912196060 there was overlap of Version 1 and 2 Frames. To Ensure that the correct replacement actuator is selected, reference the "Item No" from the actuator Label. Version 1: 94QD14 Version 2: 94QD1FB1

Item	Part No.	Name	Qty
A1a - C1		SEAT BASE,ASSY,20"W-24"W,TRU-BALANCE BARIATRIC TILT	1
A1b - C1		SEAT BASE,ASSY,24"W-28"W,TRU-BALANCE BARIATRIC TILT	1
A1a	DWR1265D004	FRAME,WIDTH ADJUSTING ROD WELDMENT,20"W-24"W,TRUBALANCE TILT 2,HD,D-1265-004	4
A1b	DWR1265D005	FRAME,TILT ADJUSTING ROD WELDMENT,24"W-28"W,TRUBALANCE TILT 2,HD,D-1265-005	4
A2	DWR1270C019	FRAME,SAFETY PLATE,16"D-20"D,TRU-BALANCE LIFT,C-1270-019	2
A3	SCRHHCS1241	SCREW,HHCS,BLACK ZINC,5/16-18 X 0.75",GR 8,W/PATCH	8
A4	SCRHHCS1301	SCREW,HHCS,BLACK ZINC,5/16-18 X 0.50",GRADE 8,W/NYLON PATCH	8
A5	DWR1360B015	T-NUT,BLACK,5/16-18 X 3", W/2",HOLE SPACING,B-1360-015	2
B1 - C1		TRU-BALANCE BARIATRIC TILT,ASSY,W/INTERFACE PLATES	1
B1	BLTASHL1165	BOLT,SHOULDER,BLACK ZINC,3/8" X 1.50",W/PATCH	2
B2	ACCACTR1038	ACTUATOR,148MM STROKE,TRU-BALANCE BARIATRIC TILT,H-1265-003,(MBL:LL5001)	1
B3	DWR1265E014	FRAME,INTERFACE WELDMENT,TRU-BALANCE TILT 2,RIGHT	1
B4	DWR1265E015	FRAME,INTERFACE WELDMENT,TRU-BALANCE TILT 2,LEFT	1
B5	DWR1265E061	PLASTIC,NOSE,BLACK,TRU BALANCE HD TILT,E-1265-061	1
B6	DWR1265D026	COVER,CENTER,BLACK,TRU BALANCE HD TILT,D-1265-026	1
B7	DWR1265D022	COVER,THRUBOSS INTERFACE,BLACK,ABS,TRU BALANCE HD TILT	2
B8	NUTNYLK1026	NUT,NYLOCK,BLACK ZINC,5/16-18	8
B9	SCRASBH1151	SCREW,BHSCS,BLACK ZINC,8-32 X 0.250",GR 8,W/PATCH	5
B10	VELHOOK1058	REUSABLE FASTENER,HOOK,BLACK,0.250"W,3.25"L	4
B11	VELLOOP1053	REUSABLE FASTENER,LOOP,BLACK,0.250"W,3.25"L	4
*C1		TRU-BALANCE TILT 2 BASE,ASSY,HD,E-1265-049	1
D1	ACCACTR1054	ACTUATOR,166MM STROKE,TRU-BALANCE TILT 2 HD,H-1255-001,(MBL: 94QD1FB1)	1

**Serial Number Y0121912196060 and Prior**

This configuration applies to units manufactured prior to Serial Number Y0121912196060. See below for Actuator information.



**Version 1: ACCACTR1038 (148mm Stroke) Label**

MBL a/s			
Type / IP	: LL-5001/24	Item No	: 94QD14
Max load	: 6000 N	MC No.	: TRA1000
Duty cycle	: Max. 30%	Revision	: 2
Power Rating	: 24VDC Max 6 Amp	Prod date	: xx.xx.xxxx
<small>WARNING: Improper use may cause damage or injury. Read installing advice before use. Only to be opened by authorized personnel.</small>			

**Version 2: ACCACTR1054 (166mm Stroke) Label**

MBL a/s			
Type / IP	: LL-5001/24	Item No	: 94QD1FB1
Max load	: 6000 N	MC No.	: TRA1000
Duty cycle	: Max. 30%	Revision	: 2
Power Rating	: 24VDC Max 6 Amp	Prod date	: xx.xx.xxxx
<small>WARNING: Improper use may cause damage or injury. Read installing advice before use. Only to be opened by authorized personnel.</small>			

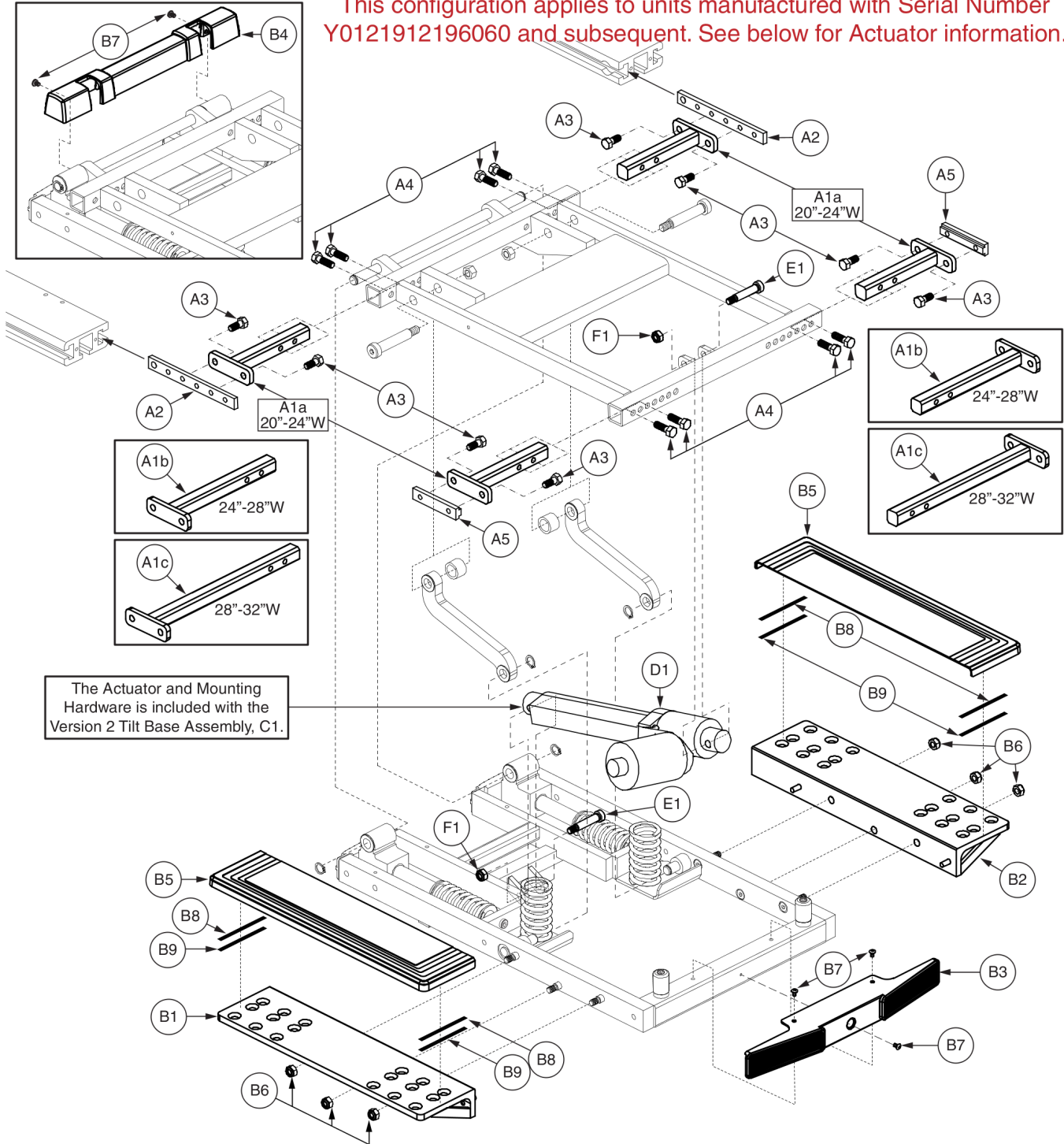
Near S/N Y0121912196060 there was overlap of Version 1 and 2 Frames. To Ensure that the correct replacement actuator is selected, reference the "Item No" from the actuator Label. Version 1: 94QD14 Version 2: 94QD1FB1



Item	Part No.	Name	Qty
A1 - C1		SEAT BASE,ASSY,20"W-24"W,12.795" CENTERS,TB2 BARIATRIC TILT	1
A1	DWR1265D004	FRAME,WIDTH ADJUSTING ROD WELDMENT,20"W-24"W,TRUBALANCE TILT 2,HD,D-1265-004	4
A2	DWR1270C019	FRAME,SAFETY PLATE,16"D-20"D,TRU-BALANCE LIFT,C-1270-019	2
A3	SCRHHCS1241	SCREW,HHCS,BLACK ZINC,5/16-18 X 0.75",GR 8,W/PATCH	8
A4	SCRHHCS1301	SCREW,HHCS,BLACK ZINC,5/16-18 X 0.50",GRADE 8,W/NYLON PATCH	8
A5	DWR1360B015	T-NUT,BLACK,5/16-18 X 3", W/2",HOLE SPACING,B-1360-015	2
B1 - C1		TRU-BALANCE BARIATRIC TILT,Q600 & Q614 INTERFACE PLATES	1
B1	BLTASHL1165	BOLT,SHOULDER,BLACK ZINC,3/8" X 1.50",W/PATCH	2
B2	ACCACTR1038	ACTUATOR,148MM STROKE,TRU-BALANCE BARIATRIC TILT,H-1265-003,(MBL:LL5001)	1
B3		INTERFACE WELDMENT,TB2 TILT HD,Q600,RIGHT	1
B4		INTERFACE WELDMENT,TB2 TILT HD,Q600,LEFT	1
B5	DWR1265E061	PLASTIC,NOSE,BLACK,TRU BALANCE HD TILT,E-1265-061	1
B6	DWR1265D026	COVER,CENTER,BLACK,TRU BALANCE HD TILT,D-1265-026	1
B7		SEAT TOWER,TB2 TILT HD,Q600 & Q614	4
B8	NUTNYLK1026	NUT,NYLOCK,BLACK ZINC,5/16-18	8
B9	SCRASBH1151	SCREW,BHSCS,BLACK ZINC,8-32 X 0.250",GR 8,W/PATCH	5
B10	NUTNYLK1014	NUT,NYLOCK,BLACK ZINC,1/4-20	4
B11	WASSTND1002	WASHER,FLAT,BLACK ZINC,0.3125" ID X 0.6875" OD X 0.0625" TH	4
B12		BOLT,SHOULDER,5/16" X 1.00",C-1005-022	4
*C1		TRU-BALANCE TILT 2 BASE,ASSY,HD,E-1265-049	1
D1	ACCACTR1054	ACTUATOR,166MM STROKE,TRU-BALANCE TILT 2 HD,H-1255-001,(MBL: 94QD1FB1)	1

Serial Number Y0121912196060 and Subsequent

This configuration applies to units manufactured with Serial Number Y0121912196060 and subsequent. See below for Actuator information.



The Actuator and Mounting Hardware is included with the Version 2 Tilt Base Assembly, C1.

Version 1: ACCACTR1038 (148mm Stroke) Label

MBL a/s			
Type / IP	: LL-5001/24	Item No	: 94QD14
Max load	: 6000 N	MC No.	: TRA1000
Duty cycle	: Max. 30%	Revision	: 2
Power Rating	: 24VDC Max 6 Amp	Prod date	: xx.xx.xxxx
WARNING: Improper use may cause damage or injury. Read installing advice before use. Only to be opened by authorized personnel.			

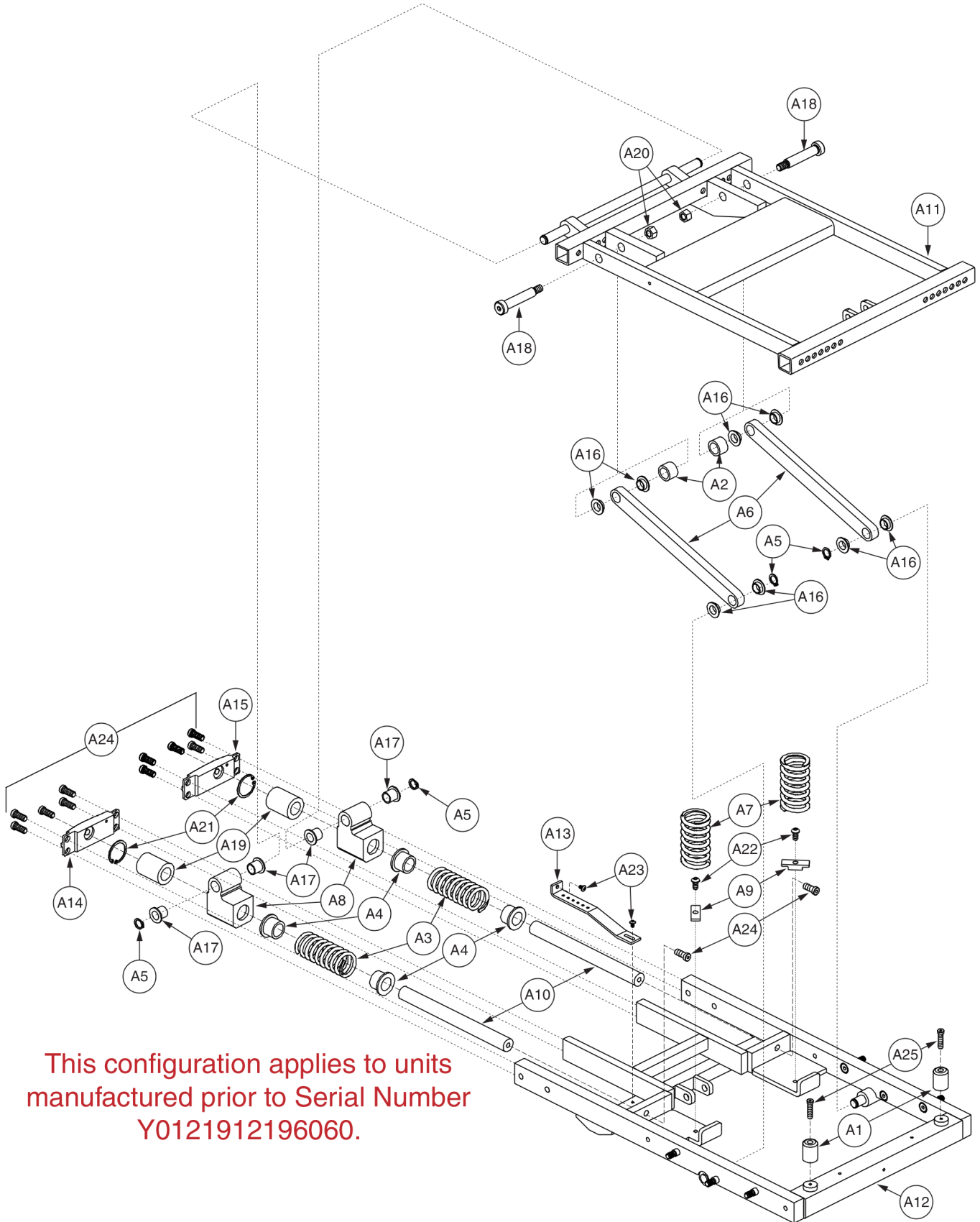
Version 2: ACCACTR1054 (166mm Stroke) Label

MBL a/s			
Type / IP	: LL-5001/24	Item No	: 94QD1FB1
Max load	: 6000 N	MC No.	: TRA1000
Duty cycle	: Max. 30%	Revision	: 2
Power Rating	: 24VDC Max 6 Amp	Prod date	: xx.xx.xxxx
WARNING: Improper use may cause damage or injury. Read installing advice before use. Only to be opened by authorized personnel.			

Near S/N Y0121912196060 there was overlap of Version 1 and 2 Frames. To Ensure that the correct replacement actuator is selected, reference the "Item No" from the actuator Label. Version 1: 94QD14 Version 2: 94QD1FB1

Item	Part No.	Name	Qty
A1a - C1	MEC120322	SEAT BASE,ASSY,20"W-24"W,VERSION 2,BARIATRIC TILT	1
A1a	DWR1265D004	FRAME,WIDTH ADJUSTING ROD WELDMENT,20"W-24"W,TRUBALANCE TILT 2,HD,D-1265-004	4
A1b - C1	MEC120323	SEAT BASE,ASSY,24"W-28"W,VERSION 2,BARIATRIC TILT	1
A1b	DWR1265D005	FRAME,TILT ADJUSTING ROD WELDMENT,24"W-28"W,TRUBALANCE TILT 2,HD,D-1265-005	4
A1c - C1	MEC120325	SEAT BASE,ASSY,28"W-32"W,VERSION 2,BARIATRIC TILT	1
A1c	DWR1265D006	FRAME,TILT ADJUSTING ROD WELDMENT,28"W-32"W,TRUBALANCE TILT 2,HD,D1265-006	4
A2	DWR1270C019	FRAME,SAFETY PLATE,16"D-20"D,TRU-BALANCE LIFT,C-1270-019	2
A3	SCRHHCS1241	SCREW,HHCS,BLACK ZINC,5/16-18 X 0.75",GR 8,W/PATCH	8
A4	SCRHHCS1301	SCREW,HHCS,BLACK ZINC,5/16-18 X 0.50",GRADE 8,W/NYLON PATCH	8
A5	DWR1360B015	T-NUT,BLACK,5/16-18 X 3", W/2",HOLE SPACING,B-1360-015	2
B1 - C1	FRMASMB17578	TRU-BALANCE BARIATRIC TILT,ASSY,W/INTERFACE PLATES,VERSION 2,E-1255-007	1
B1	DWR1265E014	FRAME,INTERFACE WELDMENT,TRU-BALANCE TILT 2,RIGHT	1
B2	DWR1265E015	FRAME,INTERFACE WELDMENT,TRU-BALANCE TILT 2,LEFT	1
B3	DWR1265E061	PLASTIC,NOSE,BLACK,TRU BALANCE HD TILT,E-1265-061	1
B4	DWR1265D026	COVER,CENTER,BLACK,TRU BALANCE HD TILT,D-1265-026	1
B5	DWR1265D022	COVER,THRUBOSS INTERFACE,BLACK,ABS,TRU BALANCE HD TILT	2
B6	NUTNYLK1026	NUT,NYLOCK,BLACK ZINC,5/16-18	6
B7	SCRASBH1151	SCREW,BHSCS,BLACK ZINC,8-32 X 0.250",GR 8,W/PATCH	5
B8	VELHOOK1058	REUSABLE FASTENER,HOOK,BLACK,0.250"W,3.25"L	4
B9	VELLOOP1053	REUSABLE FASTENER,LOOP,BLACK,0.250"W,3.25"L	4
*C1		TRU-BALANCE 2 HD TILT BASE,ASSY,VERSION 2,E-1255-001	1
D1	ACCACTR1054	ACTUATOR,166MM STROKE,TRU-BALANCE TILT 2 HD,H-1255-001,(MBL: 94QD1FB1)	1
E1	BLTASHL1165	BOLT,SHOULDER,BLACK ZINC,3/8" X 1.50",W/PATCH	2
F1	NUTNYLK1026	NUT,NYLOCK,BLACK ZINC,5/16-18	2
G1	ACCACTR1038	ACTUATOR,148MM STROKE,TRU-BALANCE BARIATRIC TILT,H-1265-003,(MBL:LL5001)	1

Serial Number Y0121912196060 and Prior



This configuration applies to units manufactured prior to Serial Number Y0121912196060.

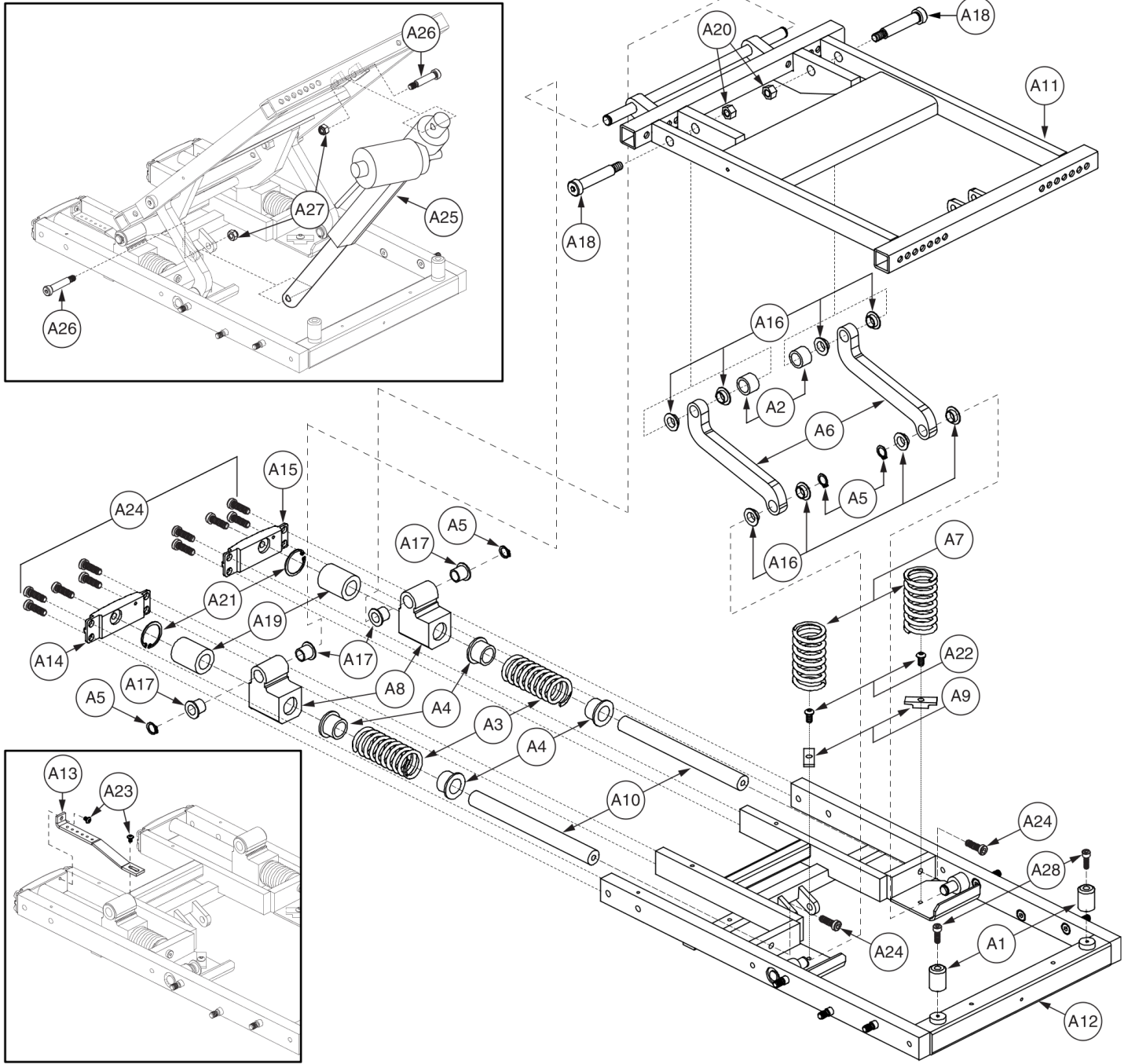
# Tilt Base, Version 1 - Bariatric Tilt



Item	Part No.	Name	Qty
A1 - A25		TRU-BALANCE TILT 2 BASE,ASSY,HD,E-1265-049	1
A1	DWR1005B080	BUMPER,BLACK,RUBBER,0.80" OD,B-1005-080	2
A2		PIVOT SPACER,CENTER OF GRAVITY,0.64"ID X 0.88"OD X 0.62"TH	2
A3		SPRING,COMPRESSION,BLACK,3.50"FL X 1.40"OD X 0.177" WIRE DIA X RATE:100LBS/IN	2
A4	DWR1265B045	SPRING SUPPORT INSERT,TRU-BALANCE TILT 2,HD,B-1265-045	4
A5	RNGRTAN1038	RETAINING RING,BLACK ZINC,0.500",EXTERNAL,HEAVY DUTY	4
A6		FRAME,SHIFT LINK,TRU-BALANCE TILT 2,HD,C-1265-057	2
A7		SPRING,COMPRESSION,BLACK,4.50"FL X 1.58"OD X 0.207" WIRE DIA X RATE:107LBS/IN	2
A8		FRAME,LINEAR BEARING PIVOT WELDMENT,TB2 TILT HD	2
A9	DWR1265C107	SPRING,CLAMP,BLACK,TRU-BALANCE TILT 2 HD,C-1265-107	2
A10		FRAME,BEARING SHAFT,TRU-BALANCE TILT 2,HD,C-1265-060	2
A11		FRAME,UPPER WELDMENT,TRU-BALANCE TILT 2,HD,E-1265-045	1
A12		FRAME,BASE WELDMENT,TRU-BALANCE TILT 2,HD,E-1265-048	1
A13	DWR1265B053	BRACKET,INHIBIT SWITCH,BLACK,POWDER COAT,TB2 HD TILT	1
A14	DWR1265C077	FRAME,LOWER,TRU-BALANCE 2 POWER TILT HD,REAR,RIGHT	1
A15	DWR1265C078	FRAME,LOWER,TRU-BALANCE 2 POWER TILT HD,REAR,LEFT	1
A16	BRGFLNG1069	BEARING,FLANGE,.50"ID X .59375"OD X .25"TH,.875"FOD X .046"FTH	8
A17	BRGFLNG1070	BEARING,FLANGE,.50"ID X .625"OD X .625"TH,.875"FOD X .062"FTH	4
A18	BLTASHL1177	BOLT,SHOULDER,1/2" X 2.25",ASTM A574	2
A19	BRGLIN1002	BEARING,LINEAR,DRYLIN,0.750" ID X 1.242" OD X 1.617" L	2
A20	NUTNYLK1006	NUT, NYLOCK,BLACK ZINC,3/8"-16	2
A21		RETAINING RING,INTERNAL,BLACK PHOSPHATE,CARBON STEEL	2
A22	SCRASBH1148	SCREW,BHSCS,BLACK ZINC,1/4-20 X 0.50",W/PATCH	2
A23	SCRASBH1151	SCREW,BHSCS,BLACK ZINC,8-32 X 0.250",GR 8,W/PATCH	2
A24	SCRSHCS1082	SCREW,SHCS,BLACK ZINC,5/16-18 X .75",LOW HEAD,GR 8,W/PATCH	12
A25		SCREW,SHCS,BLACK ZINC,8-32 X 0.375"	2

Serial Number Y0121912196060 and Subsequent

This configuration applies to units manufactured with Serial Number Y0121912196060 and subsequent. See below for Actuator information.



Version 1: ACCACTR1038 (148mm Stroke) Label

MBL a/s			
Type / IP	: LL-5001/24	Item No	: 94QD14
Max load	: 6000 N	MC No.	: TRA1000
Duty cycle	: Max. 30%	Revision	: 2
Power Rating	: 24VDC Max 6 Amp	Prod date	: xx.xx.xxxx
WARNING: Improper use may cause damage or injury. Read installing advice before use. Only to be opened by authorized personnel.			

Version 2: ACCACTR1054 (166mm Stroke) Label

MBL a/s			
Type / IP	: LL-5001/24	Item No	: 94QD1FB1
Max load	: 6000 N	MC No.	: TRA1000
Duty cycle	: Max. 30%	Revision	: 2
Power Rating	: 24VDC Max 6 Amp	Prod date	: xx.xx.xxxx
WARNING: Improper use may cause damage or injury. Read installing advice before use. Only to be opened by authorized personnel.			

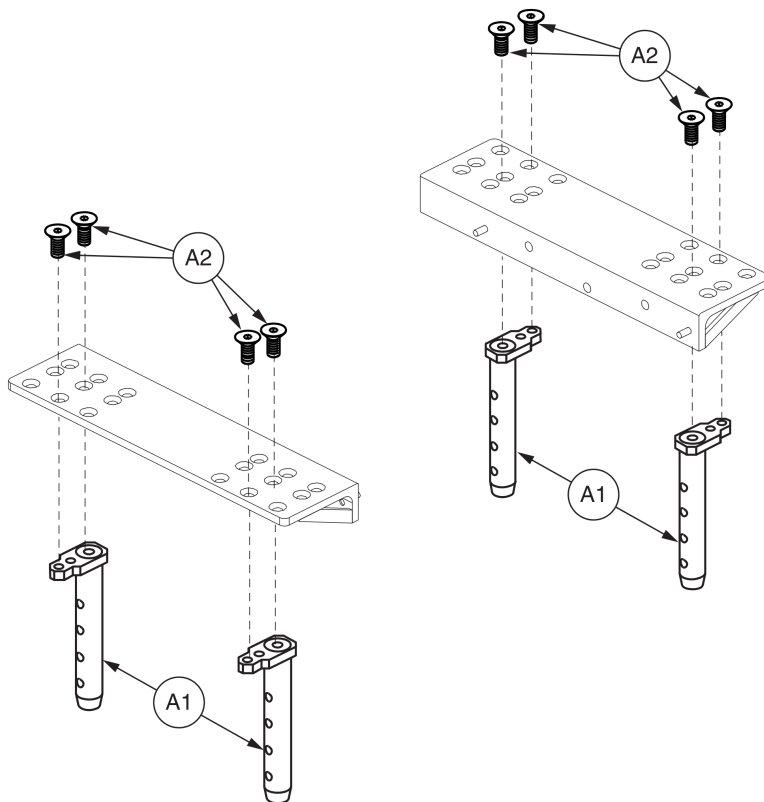
Near S/N Y0121912196060 there was overlap of Version 1 and 2 Frames. To Ensure that the correct replacement actuator is selected, reference the "Item No" from the actuator Label. Version 1: 94QD14 Version 2: 94QD1FB1

# Tilt Base, Version 2 - Bariatric Tilt



Item	Part No.	Name	Qty
A1 - A28		TRU-BALANCE 2 HD TILT BASE,ASSY,VERSION 2,E-1255-001	1
A1	DWR1005B080	BUMPER,BLACK,RUBBER,0.80" OD,B-1005-080	2
A2		PIVOT SPACER,CENTER OF GRAVITY,0.64"ID X 0.88"OD X 0.62"TH	2
A3		SPRING,COMPRESSION,BLACK,3.50"FL X 1.40"OD X 0.177" WIRE DIA X RATE:100LBS/IN	2
A4	DWR1265B045	SPRING SUPPORT INSERT,TRU-BALANCE TILT 2,HD,B-1265-045	4
A5	RNGRTAN1038	RETAINING RING,BLACK ZINC,0.500",EXTERNAL,HEAVY DUTY	4
A6	DWR1255C003	FRAME,SHIFT LINK,TRU-BALANCE TILT HD 2,VERSION 2,C-1255-003	2
A7		SPRING,COMPRESSION,BLACK,4.50"FL X 1.58"OD X 0.207" WIRE DIA X RATE:107LBS/IN	2
A8		FRAME,LINEAR BEARING PIVOT WELDMENT,TB2 TILT HD	2
A9	DWR1265C107	SPRING,CLAMP,BLACK,TRU-BALANCE TILT 2 HD,C-1265-107	2
A10	DWR1255C004	FRAME,BEARING SHAFT,TRU-BALANCE 2 HD TILT,VERSION 2	2
A11	DWR1255E002	FRAME,UPPER WELDMENT,TRU-BALANCE 2 HD TILT,VERSION 2	1
A12		FRAME,BASE WELDMENT,TRU-BALANCE 2 HD TILT,VERSION 2	1
A13	DWR1265B053	BRACKET,INHIBIT SWITCH,BLACK,POWDER COAT,TB2 HD TILT	1
A14	DWR1265C077	FRAME,LOWER,TRU-BALANCE 2 POWER TILT HD,REAR,RIGHT	1
A15	DWR1265C078	FRAME,LOWER,TRU-BALANCE 2 POWER TILT HD,REAR,LEFT	1
A16	BRGFLNG1069	BEARING,FLANGE,.50"ID X .59375"OD X .25"TH,.875"FOD X .046"FTH	8
A17	BRGFLNG1070	BEARING,FLANGE,.50"ID X .625"OD X .625"TH,.875"FOD X .062"FTH	4
A18	BLTASHL1177	BOLT,SHOULDER,1/2" X 2.25",ASTM A574	2
A19	BRGLIN1002	BEARING,LINEAR,DRYLIN,0.750" ID X 1.242" OD X 1.617" L	2
A20	NUTNYLK1006	NUT, NYLOCK,BLACK ZINC,3/8"-16	2
A21		RETAINING RING,INTERNAL,BLACK PHOSPHATE,CARBON STEEL	2
A22	SCRASBH1096	SCREW,BHSCS,BLACK ZINC,1/4-20 X 0.625",GRADE 8,W/NYLON PATCH,A-1360-009	2
A23	SCRASBH1151	SCREW,BHSCS,BLACK ZINC,8-32 X 0.250",GR 8,W/PATCH	2
A24	SCRSHCS1082	SCREW,SHCS,BLACK ZINC,5/16-18 X .75",LOW HEAD,GR 8,W/PATCH	12
A25	ACCACTR1054	ACTUATOR,166MM STROKE,TRU-BALANCE TILT 2 HD,H-1255-001,(MBL: 94QD1FB1)	1
A26	BLTASHL1165	BOLT,SHOULDER,BLACK ZINC,3/8" X 1.50",W/PATCH	2
A27	NUTNYLK1026	NUT,NYLOCK,BLACK ZINC,5/16-18	2
A28		SCREW,SHCS,BLACK ZINC,8-32 X 0.375"	2
B1	ACCACTR1038	ACTUATOR,148MM STROKE,TRU-BALANCE BARIATRIC TILT,H-1265-003,(MBL:LL5001)	1

2. Seat Towers



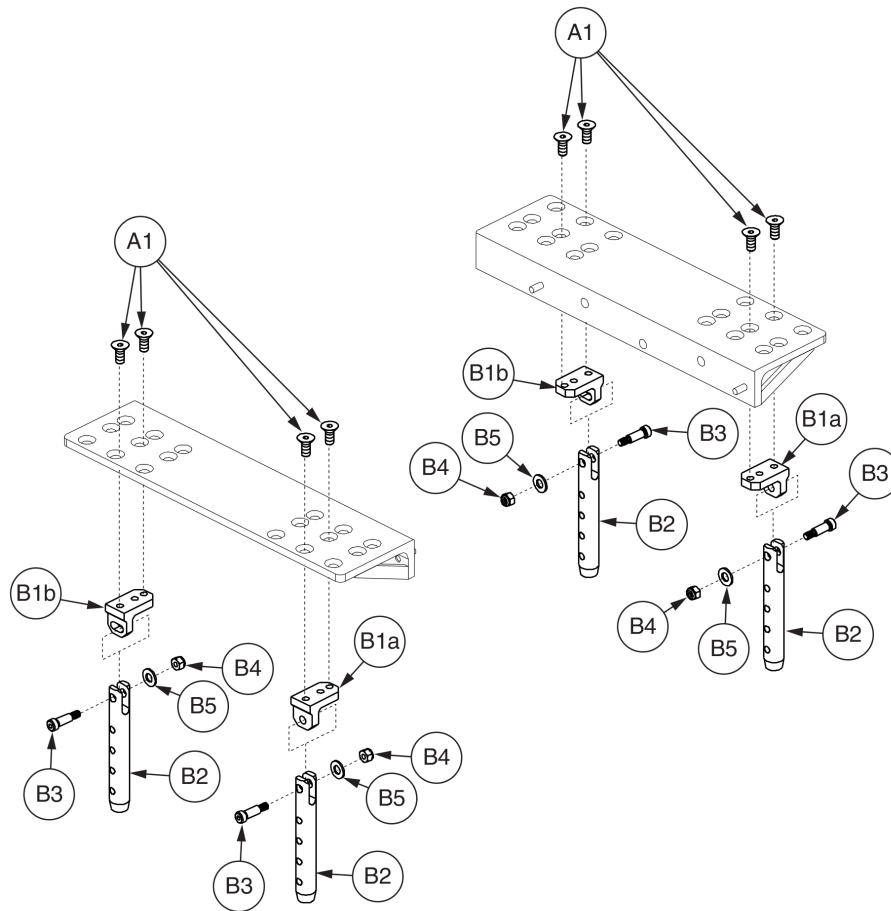


Fixed Towers, Bariatric Tilt



Item	Part No.	Name	Qty
A1 - A2	FRMASMB10498	SEAT TOWER,ASSY,FIXED,TRU-BALANCE 2 POWER TILT	4
A1		TOWER WELDMENT,4 HOLE,B-1265-022	1
A2	SCRSHFH1035	SCREW,SHFH,BLACK ZINC,5/16-18 X 0.75",GR 8,W/PATCH	2

2. Seat Towers

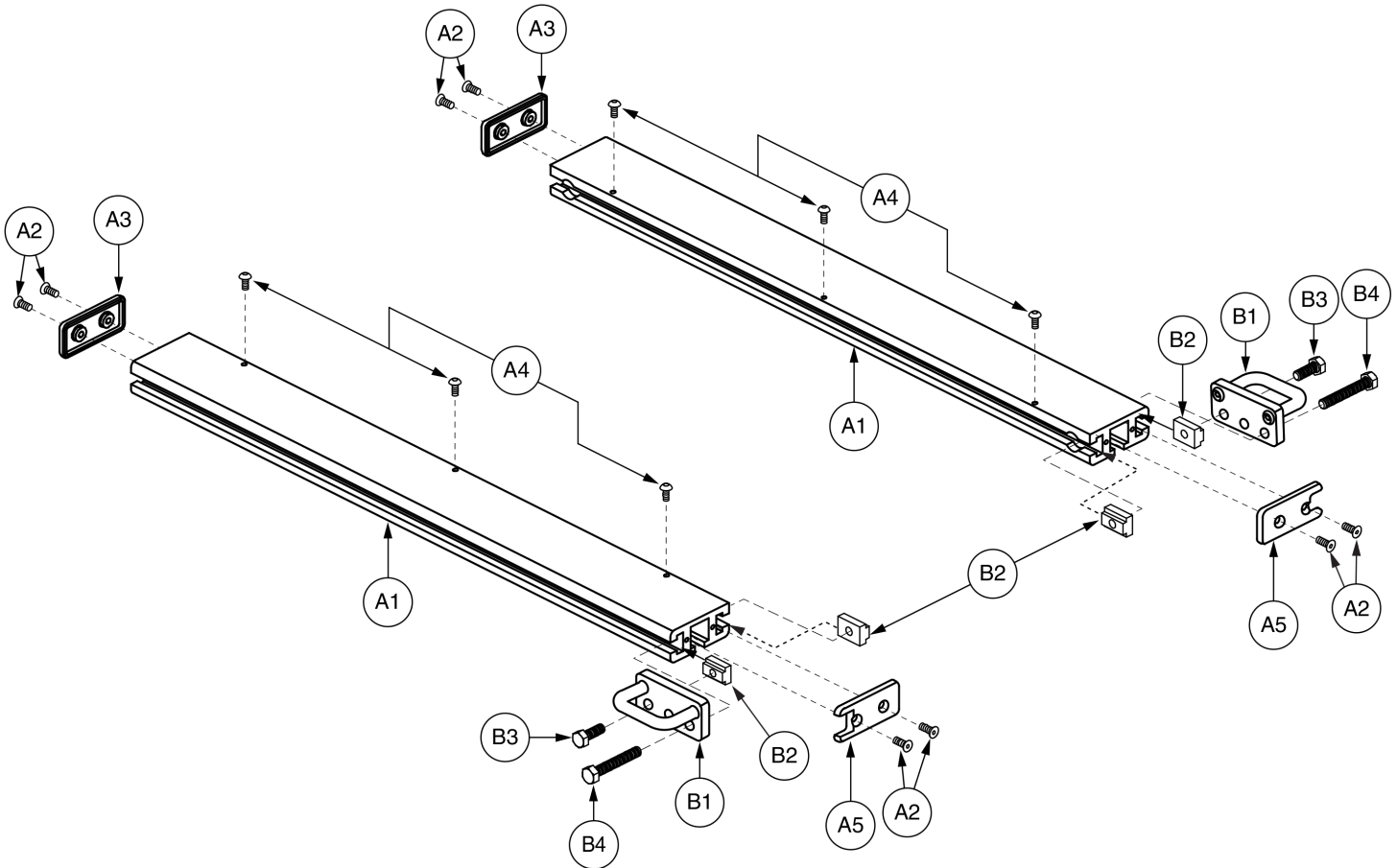


# Angle Adjustable Seat Towers, Bariatric Tilt



Item	Part No.	Name	Qty
A1 - B5	FRMASMB16404	SEAT TOWER,ASSY,ANGLE ADJUSTABLE,TB2 BARIATRIC TILT	1
A1	SCRSHFH1035	SCREW,SHFH,BLACK ZINC,5/16-18 X 0.75",GR 8,W/PATCH	8
B1a - B5	FRMASMB12753	SEAT TOWER,ASSY,ANGLE ADJUSTABLE,TB2 BARIATRIC TILT,FRONT	2
B1b - B5	FRMASMB12754	SEAT TOWER,ASSY,ANGLE ADJUSTABLE,TB2 BARIATRIC TILT,REAR	2
B1a		BRACKET,ADJUSTABLE,FRONT,TB2 HD TILT ANGLE	1
B1b		BRACKET,ADJUSTABLE,REAR,TB2 HD TILT ANGLE	1
B2		SEAT TOWER,ANGLE ADJUSTABLE,4 HOLE	1
B3	BLTASHL1060	BOLT,SHOULDER,5/16" X 0.75",C-1010-115	1
B4	NUTNYLK1014	NUT,NYLOCK,BLACK ZINC,1/4-20	1
B5	WASSTND1002	WASHER,FLAT,BLACK ZINC,0.3125" ID X 0.6875" OD X 0.0625" TH	1

3. Side Rails

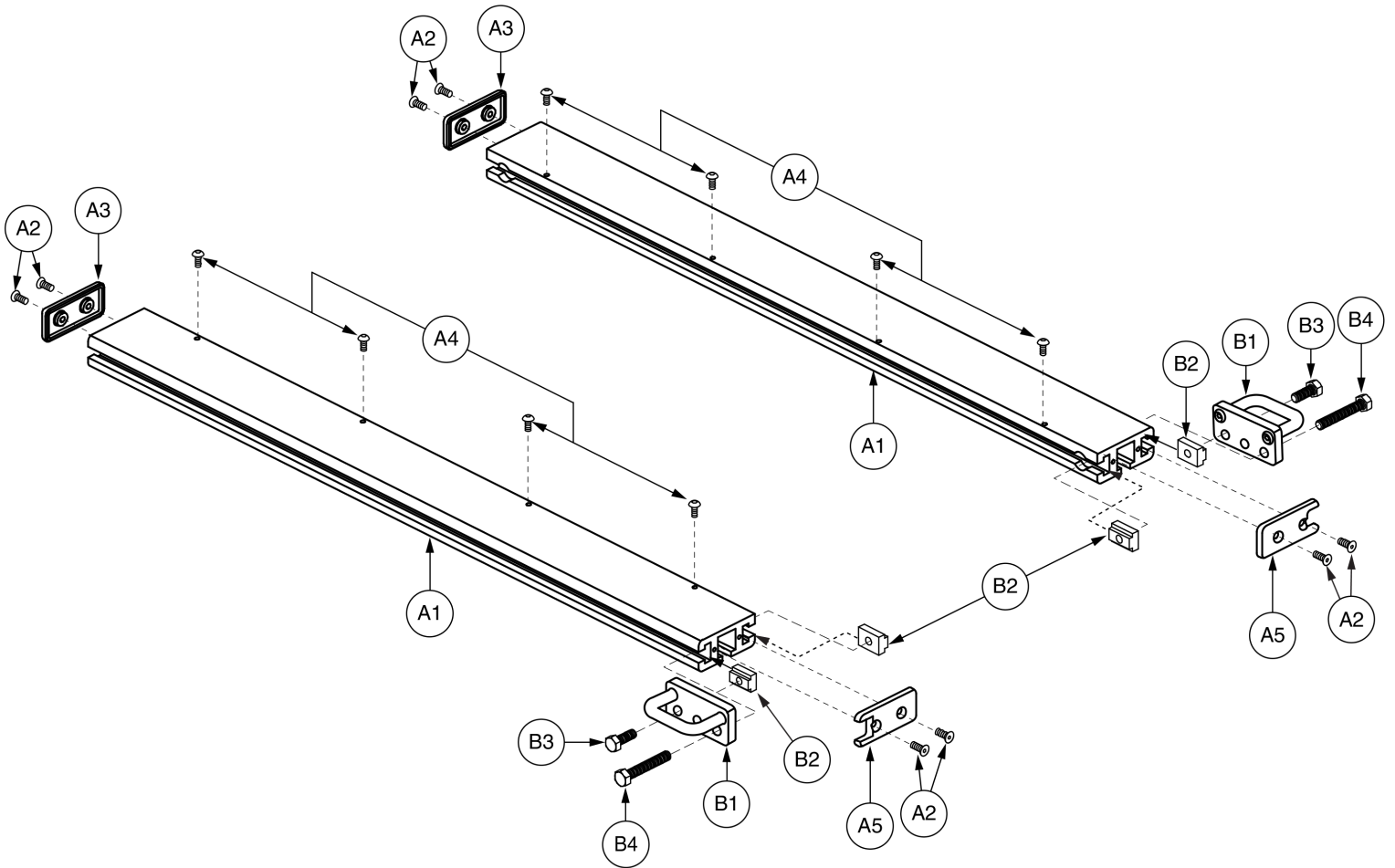


# Side Rail, 15"D-20"D, Textured, Bariatric Tilt



Item	Part No.	Name	Qty
A1 - A5	FRMASMB6983	SIDE RAIL,ASSY,15"D-20"D,SYNERGY SEAT,PAIR,TEXTURED	1
A1 - A5	FRMASMB6821	SEAT FRAME,ASSY,SIDE RAIL,15"D-20"D,SYNERGY SEAT,LEFT,TEXTURED,E-1360-002	1
A1 - A5	FRMASMB6822	SEAT FRAME,ASSY,SIDE RAIL,15"D-20"D,SYNERGY SEAT,RIGHT,TEXTURED,E-1360-025	1
A1	DWR1360E005B	SEAT FRAME,SIDE RAIL,15"D-20"D,SYNERGY SEAT,TEXTURED	1
A2	SCRSHFH1036	SCREW,SHFH,BLACK ZINC,8-32 X 0.50",GR 8,W/PATCH	4
A3	DWR1360B007	EXTRUSION END CAP,SYNERGY SEAT,REAR,B-1360-007	1
A4	SCRASBH1094	SCREW,BHSCS,BLACK ZINC,10-32 X 0.4375",GR 8,W/PATCH	3
A5	DWR1360B048	EXTRUSION END CAP,SYNERGY SEAT,T-SLOT OPEN END	1
B1	DWR1600B122B	SEAT FRAME,SECUREMENT BRACKET WELDMENT,TEXTURED	1
B2	DWR1360A004	T-NUT,5/16-18 X 0.875",A-1360-004	2
B3	SCRHHCS1241	SCREW,HHCS,BLACK ZINC,5/16-18 X 0.75",GR 8,W/PATCH	1
B4	SCRHHCS1478	SCREW, HHCS,BLACK ZINC,5/16-18 X 2.00",GR 8,W/PATCH	1

3. Side Rails

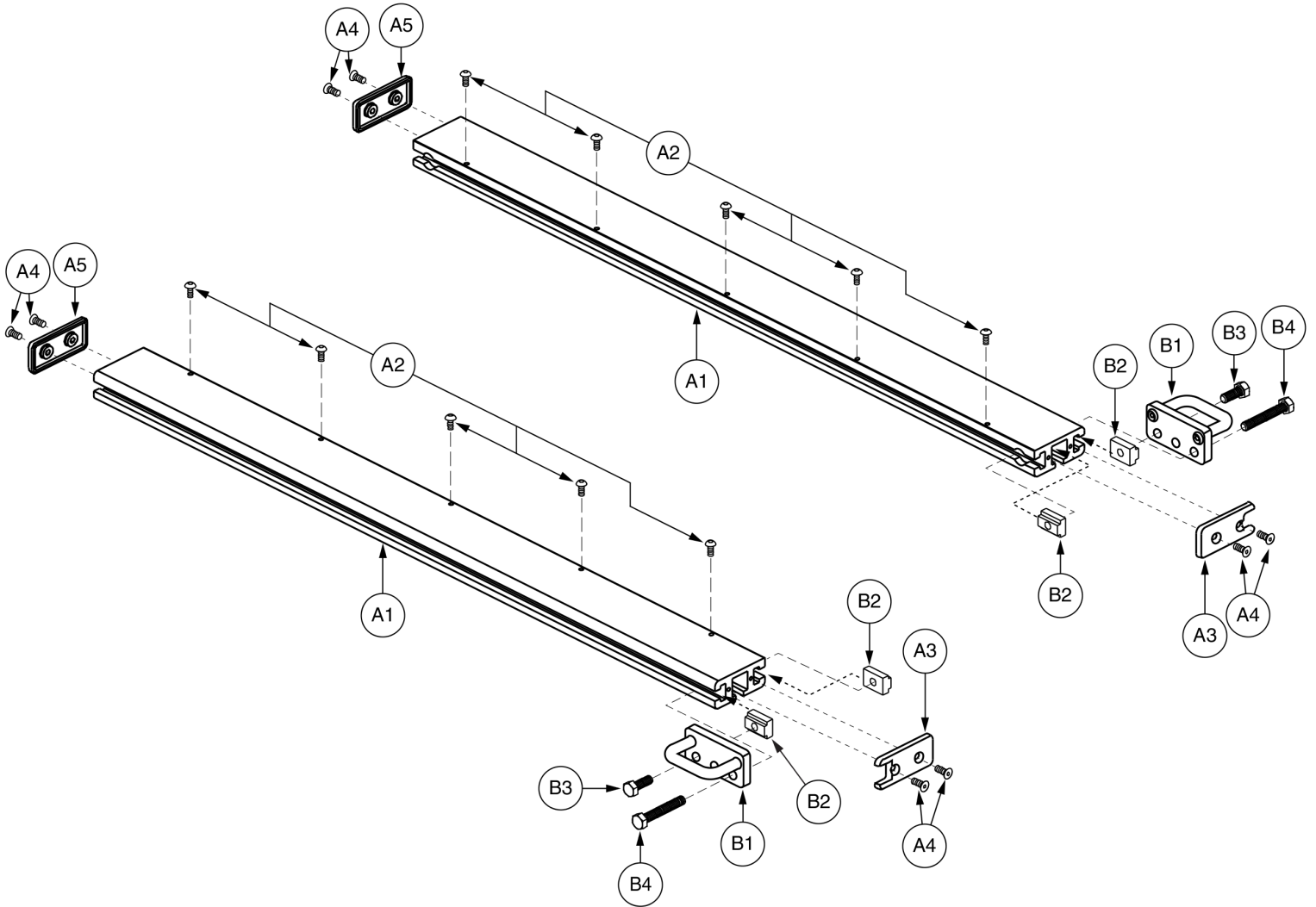


# Side Rail, 20"D-24"D, Textured, Bariatric Tilt



Item	Part No.	Name	Qty
A1 - A5	FRMASMB6984	SIDE RAIL,ASSY,20"D-24"D,SYNERGY SEAT,PAIR,TEXTURED	1
A1 - A5	FRMASMB6823	SEAT FRAME,ASSY,SIDE RAIL,20"D-24"D,SYNERGY SEAT,LEFT,TEXTURED,E-1360-023	1
A1 - A5	FRMASMB6824	SEAT FRAME,ASSY,SIDE RAIL,20"D-24"D,SYNERGY SEAT,RIGHT,TEXTURED,E-1360-026	1
A1	DWR1360E010B	SEAT FRAME,SIDE RAIL,20"D-24"D,SYNERGY SEAT,TEXTURED	1
A2	SCRSHFH1036	SCREW,SHFH,BLACK ZINC,8-32 X 0.50",GR 8,W/PATCH	4
A3	DWR1360B007	EXTRUSION END CAP,SYNERGY SEAT,REAR,B-1360-007	1
A4	SCRASBH1094	SCREW,BHSCS,BLACK ZINC,10-32 X 0.4375",GR 8,W/PATCH	4
A5	DWR1360B048	EXTRUSION END CAP,SYNERGY SEAT,T-SLOT OPEN END	1
B1	DWR1600B122B	SEAT FRAME,SECUREMENT BRACKET WELDMENT,TEXTURED	1
B2	DWR1360A004	T-NUT,5/16-18 X 0.875",A-1360-004	2
B3	SCRHHCS1241	SCREW,HHCS,BLACK ZINC,5/16-18 X 0.75",GR 8,W/PATCH	1
B4	SCRHHCS1478	SCREW, HHCS,BLACK ZINC,5/16-18 X 2.00",GR 8,W/PATCH	1

3. Side Rails





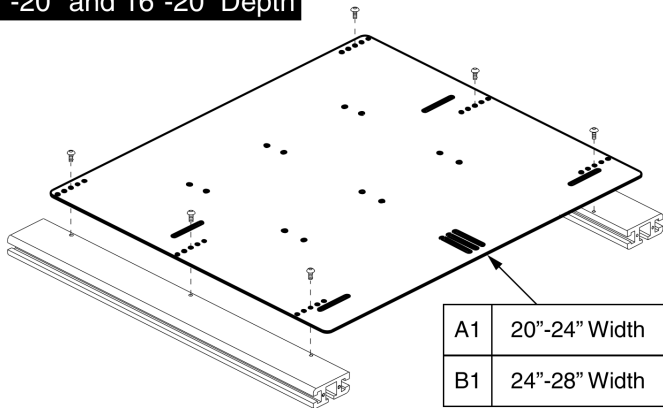
# Side Rail, 24"D-28"D, HD, Bariatric Tilt



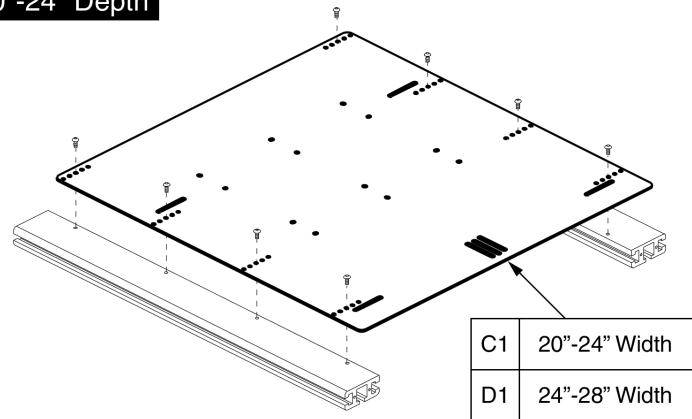
Item	Part No.	Name	Qty
A1 - A5	FRMASMB6605	SIDE RAIL,ASSY,24"D-28"D,SYNERGY SEAT HD,PAIR	1
A1 - A5	FRMASMB6518	SIDE RAIL,ASSY,24"W-28"W,SYNERGY SEAT HD,LEFT,E-1360-128	1
A1 - A5	FRMASMB6519	SIDE RAIL,ASSY,24"D-28"D,SYNERGY SEAT HD,RIGHT,E-1360-129	1
A1	DWR1360E127	SIDE RAIL,24"D-28"D,SYNERGY SEAT HD,E-1360-127	1
A2	SCRASBH1094	SCREW,BHSCS,BLACK ZINC,10-32 X 0.4375",GR 8,W/PATCH	5
A3	DWR1360B048	EXTRUSION END CAP,SYNERGY SEAT,T-SLOT OPEN END	1
A4	SCRSHFH1036	SCREW,SHFH,BLACK ZINC,8-32 X 0.50",GR 8,W/PATCH	4
A5	DWR1360B007	EXTRUSION END CAP,SYNERGY SEAT,REAR,B-1360-007	1
B1	DWR1600B122B	SEAT FRAME,SECUREMENT BRACKET WELDMENT,TEXTURED	1
B2	DWR1360A004	T-NUT,5/16-18 X 0.875",A-1360-004	2
B3	SCRHHCS1241	SCREW,HHCS,BLACK ZINC,5/16-18 X 0.75",GR 8,W/PATCH	1
B4	SCRHHCS1478	SCREW, HHCS,BLACK ZINC,5/16-18 X 2.00",GR 8,W/PATCH	1

4. Seat Pans

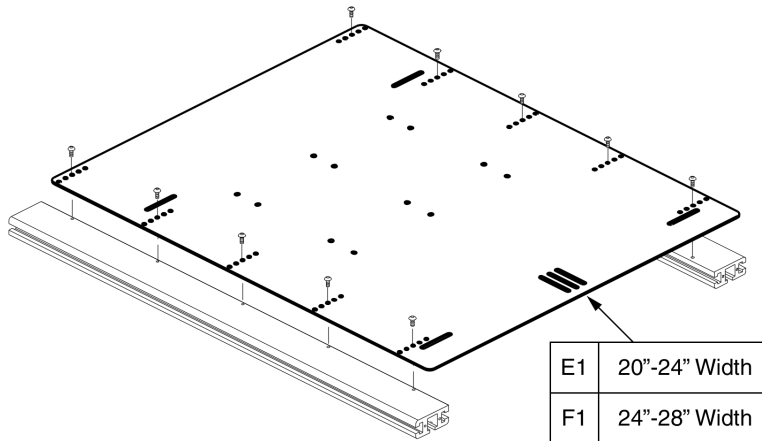
15"-20" and 16"-20" Depth



20"-24" Depth



24"-28" Depth

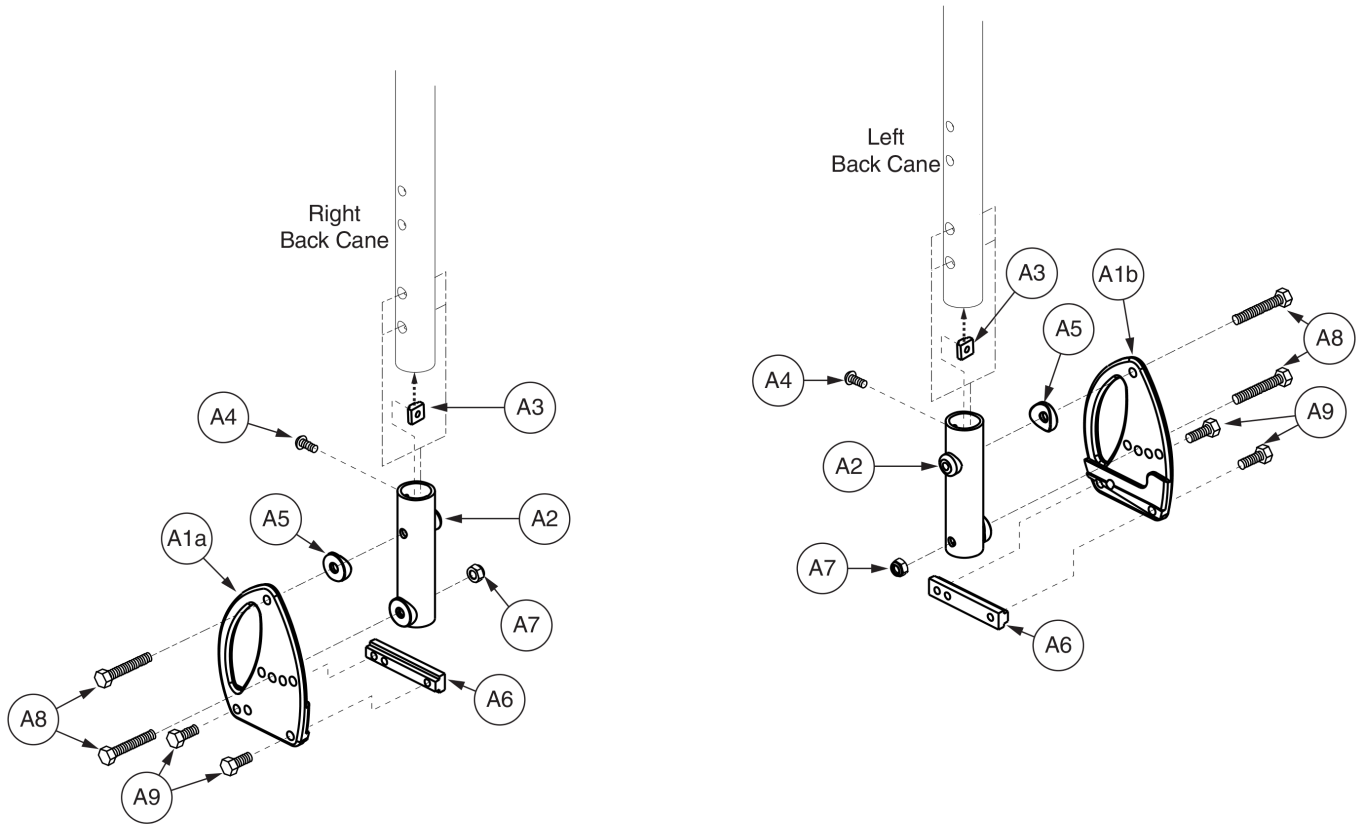


## Seat Pans, Bariatric Tilt



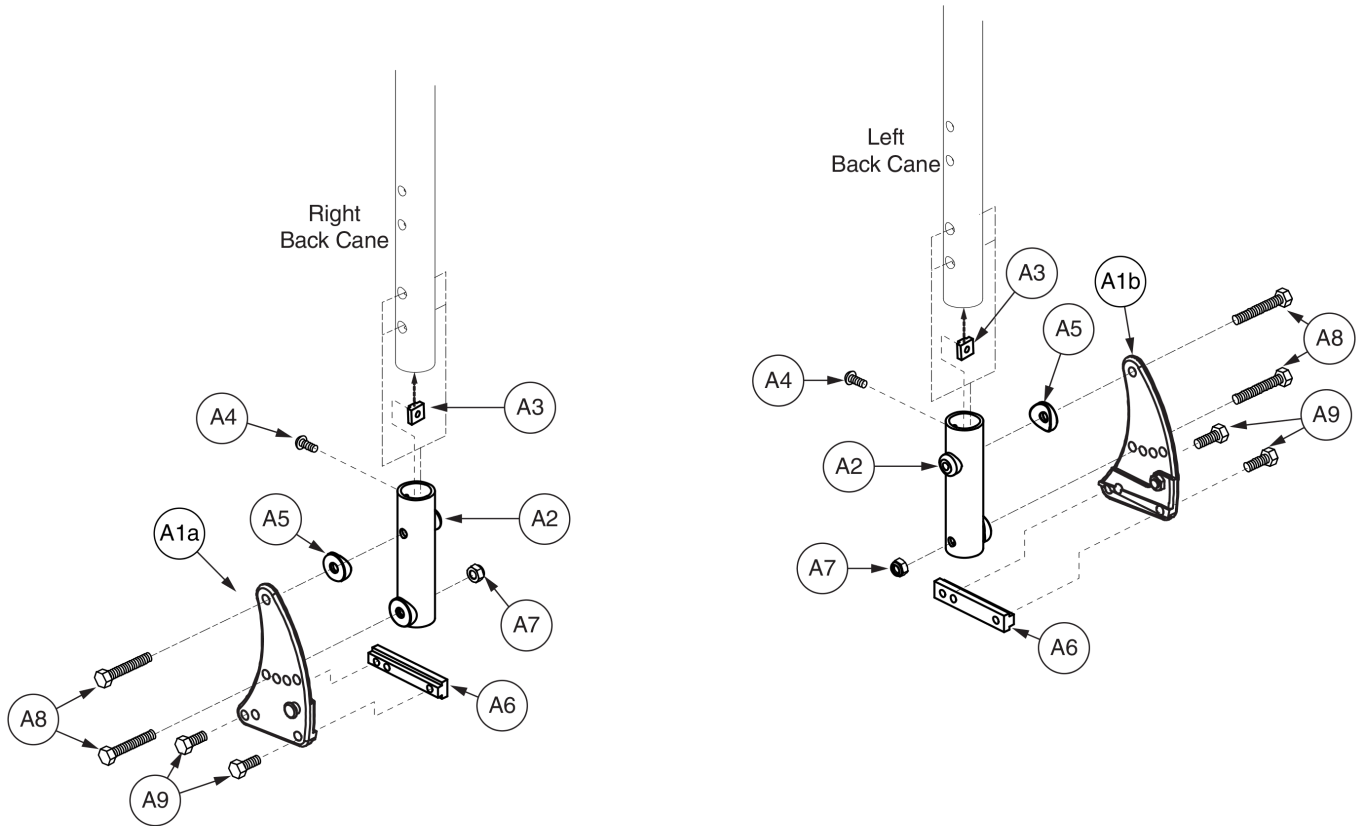
Item	Part No.	Name	Qty
A1	DWR1362E043B	SEAT PAN,20"W-24"W,15"D-20"D,SYNERGY TILT	1
B1	DWR1360E123	SEAT PAN,24"W-28"W,16"D-20"D,SYNERGY SEAT HD,E-1360-123	1
C1	DWR1360E121	SEAT PAN,20"W-24"W,20"D-24"D,SYNERGY SEAT HD,E-1360-121	1
D1	DWR1360E124	SEAT PAN,24"W-28"W,20"D-24"D,SYENRGY SEAT HD,E-1360-124	1
E1	DWR1360E122	SEAT PAN,20"W-24"W,24"D-28"D,SYNERGY SEAT HD,E-1360-122	1
F1	DWR1360E125	SEAT PAN,24"W-28"W,24"D-28"D,SYNERGY SEAT HD,E-1360-125	1

5.1 Angle Adjustable Back Cane Bracket Assy's



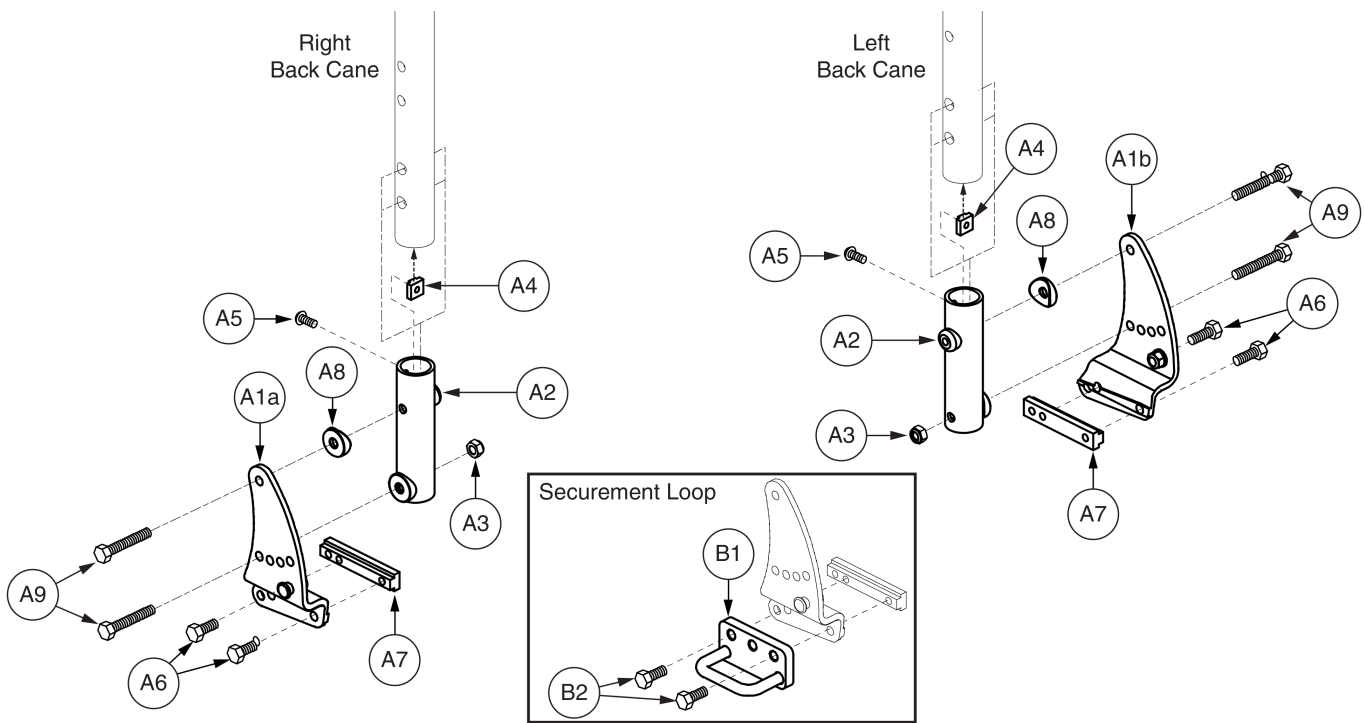
Item	Part No.	Name	Qty
A1a		BACK CANE BRACKET,ASSY,ANGLE ADJUSTABLE,RIGHT	1
A1b		BACK CANE BRACKET,ASSY,ANGLE ADJUSTABLE,LEFT	1
A2	DWR1360C154	BACK CANE SUPPORT TUBE WELDMENT,C-1360-154	1
A3	DWR1360A002	T-NUT,1/4-20 X 0.5625",A-1360-002	1
A4	SCRASBH1096	SCREW,BHSCS,BLACK ZINC,1/4-20 X 0.625",GRADE 8,W/NYLON PATCH,A-1360-009	1
A5	DWR1005B112	WASHER,COPED,BLACK,NYLON,0.333" ID X 1.00" OD,B-1005-112	1
A6	DWR1005C029	T-NUT,BLACK,5/16-18 X 3.25",3 HOLE,C-1005-029	1
A7	NUTNYLK1026	NUT,NYLOCK,BLACK ZINC,5/16-18	1
A8	SCRHHCS1585	SCREW,HHCS,BLACK ZINC,5/16-18 X 2.00",GR 8,W/PATCH	2
A9	SCRHHCS1240	SCREW,HHCS,BLACK ZINC,5/16-18 X 0.875",GR 8,W/PATCH	2

### 5.1 Angle Adjustable Back Cane Bracket Assy's



Item	Part No.	Name	Qty
A1 - A10		BACK CANE BRACKET,ASSY,ANGLE ADJUSTABLE,TRANSIT,PAIR	1
A1a - A10		BACK CANE BRACKET,ASSY,ANGLE ADJUSTABLE,TRANSIT,RIGHT	1
A1b - A10		BACK CANE BRACKET,ASSY,ANGLE ADJUSTABLE,TRANSIT,LEFT	1
A1a	FRMASMB12047	BACK CANE BRACKET,ASSY,ANGLE ADJUSTABLE,RIGHT	1
A1b		BACK CANE BRACKET,ASSY,ANGLE ADJUSTABLE,LEFT	1
A2	DWR1360C154	BACK CANE SUPPORT TUBE WELDMENT,C-1360-154	1
A3	DWR1360A002	T-NUT,1/4-20 X 0.5625",A-1360-002	1
A4	SCRASBH1096	SCREW,BHSCS,BLACK ZINC,1/4-20 X 0.625",GRADE 8,W/NYLON PATCH,A-1360-009	1
A5	DWR1005B112	WASHER,COPED,BLACK,NYLON,0.333" ID X 1.00" OD,B-1005-112	1
A6	DWR1005C029	T-NUT,BLACK,5/16-18 X 3.25",3 HOLE,C-1005-029	1
A7	NUTNYLK1026	NUT,NYLOCK,BLACK ZINC,5/16-18	1
A8	SCRHHCS1585	SCREW,HHCS,BLACK ZINC,5/16-18 X 2.00",GR 8,W/PATCH	2
A9	SCRHHCS1240	SCREW,HHCS,BLACK ZINC,5/16-18 X 0.875",GR 8,W/PATCH	2
A10		END CAP,BLACK VINYL,.500" ID X .563" X .250" DEEP	4

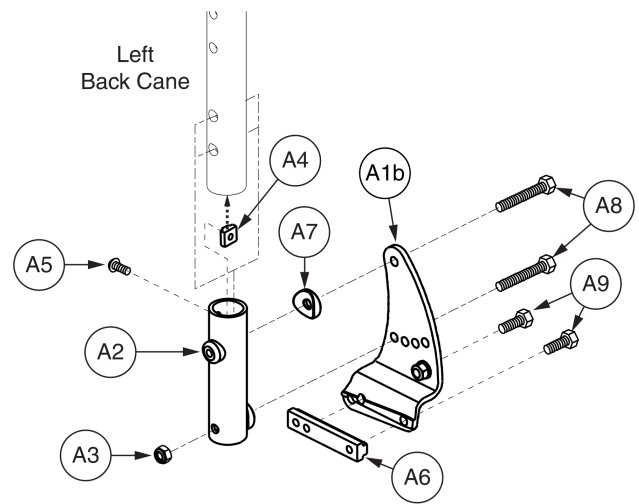
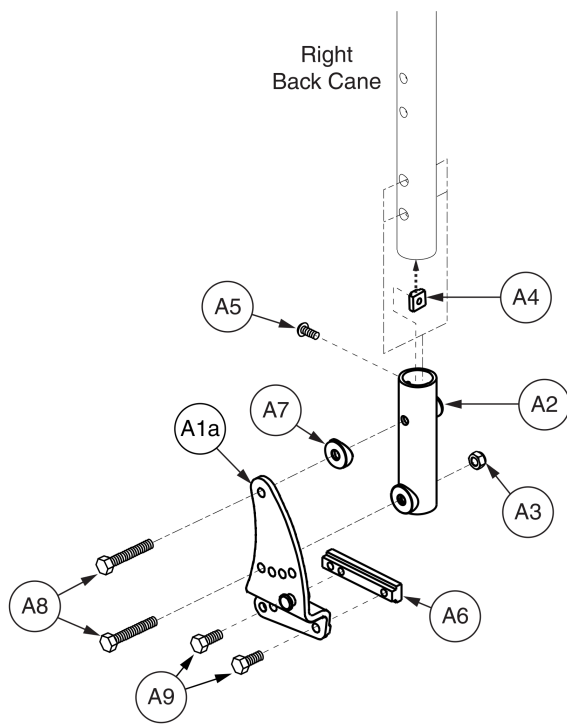
### 5.2. Mesomorph Back Cane Bracket Assy's





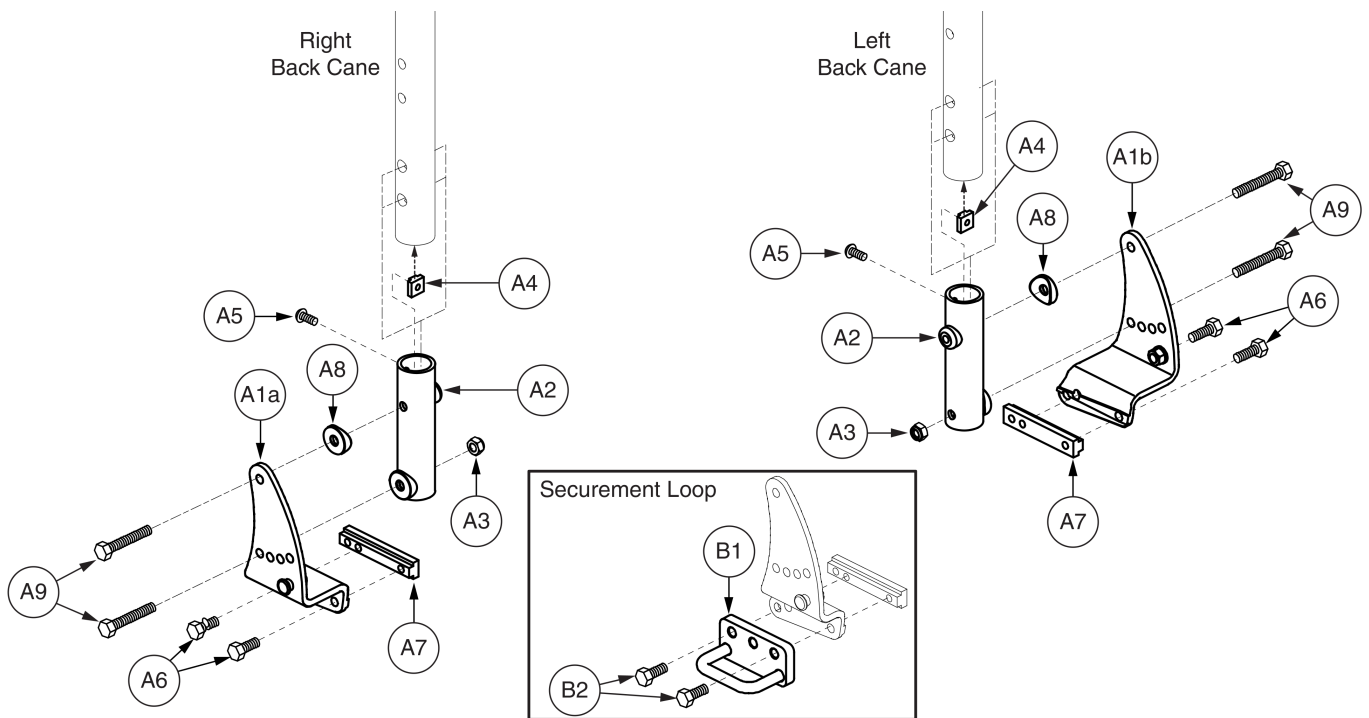
Item	Part No.	Name	Qty
A1a - A9	FRMASMB16389	BACK CANE BRACKET,ASSY,MESOMORPH,1" OUT,RIGHT	1
A1b - A9	FRMASMB16388	BACK CANE BRACKET,ASSY,MESOMORPH,1" OUT,LEFT	1
A1a	FRMASMB11104	SIDE RAIL MOUNT BRACKET,ASSY,ANGLE ADJUSTMENT,1"OUT,RIGHT	1
A1b	FRMASMB11103	SIDE RAIL MOUNT BRACKET,ASSY,ANGLE ADJUSTMENT,1"OUT,LEFT	1
A2	DWR1360C154	BACK CANE SUPPORT TUBE WELDMENT,C-1360-154	1
A3	NUTNYLK1026	NUT,NYLOCK,BLACK ZINC,5/16-18	1
A4	DWR1360A002	T-NUT,1/4-20 X 0.5625",A-1360-002	1
A5	SCRASBH1096	SCREW,BHSCS,BLACK ZINC,1/4-20 X 0.625",GRADE 8,W/NYLON PATCH,A-1360-009	1
A6	SCRHHCS1241	SCREW,HHCS,BLACK ZINC,5/16-18 X 0.75",GR 8,W/PATCH	2
A7	DWR1005C029	T-NUT,BLACK,5/16-18 X 3.25",3 HOLE,C-1005-029	1
A8	DWR1005B112	WASHER,COPED,BLACK,NYLON,0.333" ID X 1.00" OD,B-1005-112	1
A9	SCRHHCS1585	SCREW,HHCS,BLACK ZINC,5/16-18 X 2.00",GR 8,W/PATCH	2
B1	DWR1600B122B	SEAT FRAME,SECUREMENT BRACKET WELDMENT,TEXTURED	2
B2	SCRHHCS1300	SCREW,HHCS,BLACK ZINC,5/16-18 X 1.00",GR 8,W/PATCH	4

## 5.2. Mesomorph Back Cane Bracket Assy's



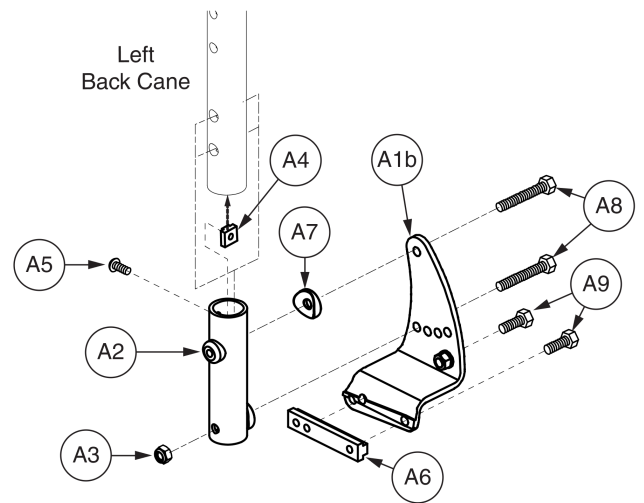
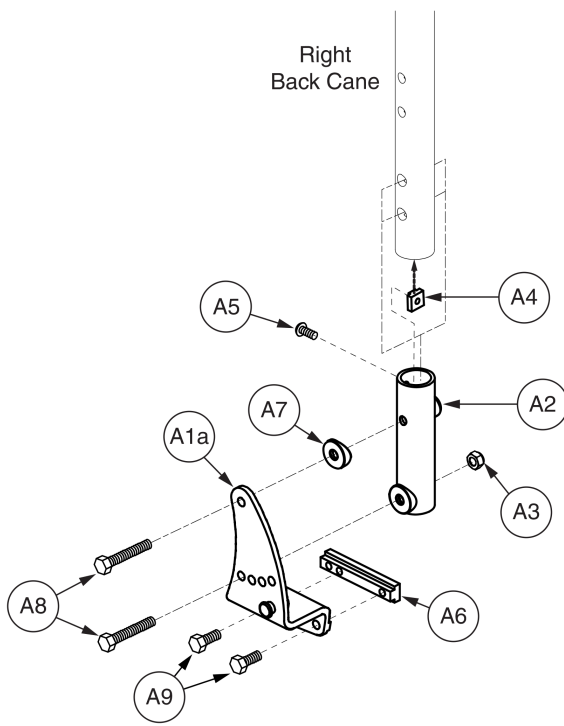
Item	Part No.	Name	Qty
A1 - A9		BACK CANE BRACKET,ASSY,MESOMORPH,1" OUT,SYNERGY TRANSIT,PAIR,TEXTURED	1
A1a - A9		BACK CANE BRACKET,ASSY,MESOMORPH,1" OUT,SYNERGY TRANSIT,RIGHT,TEXTURED	1
A1b - A9		BACK CANE BRACKET,ASSY,MESOMORPH,1" OUT,SYNERGY TRANSIT,LEFT,TEXTURED	1
A1a	FRMASMB11104	SIDE RAIL MOUNT BRACKET,ASSY,ANGLE ADJUSTMENT,1"OUT,RIGHT	1
A1b	FRMASMB11103	SIDE RAIL MOUNT BRACKET,ASSY,ANGLE ADJUSTMENT,1"OUT,LEFT	1
A2	DWR1360C154	BACK CANE SUPPORT TUBE WELDMENT,C-1360-154	1
A3	NUTNYLK1026	NUT,NYLOCK,BLACK ZINC,5/16-18	1
A4	DWR1360A002	T-NUT,1/4-20 X 0.5625",A-1360-002	1
A5	SCRASBH1096	SCREW,BHSCS,BLACK ZINC,1/4-20 X 0.625",GRADE 8,W/NYLON PATCH,A-1360-009	1
A6	DWR1005C029	T-NUT,BLACK,5/16-18 X 3.25",3 HOLE,C-1005-029	1
A7	DWR1005B112	WASHER,COPED,BLACK,NYLON,0.333" ID X 1.00" OD,B-1005-112	1
A8	SCRHHCS1585	SCREW,HHCS,BLACK ZINC,5/16-18 X 2.00",GR 8,W/PATCH	2
A9	SCRHHCS1240	SCREW,HHCS,BLACK ZINC,5/16-18 X 0.875",GR 8,W/PATCH	2

### 5.2. Mesomorph Back Cane Bracket Assy's



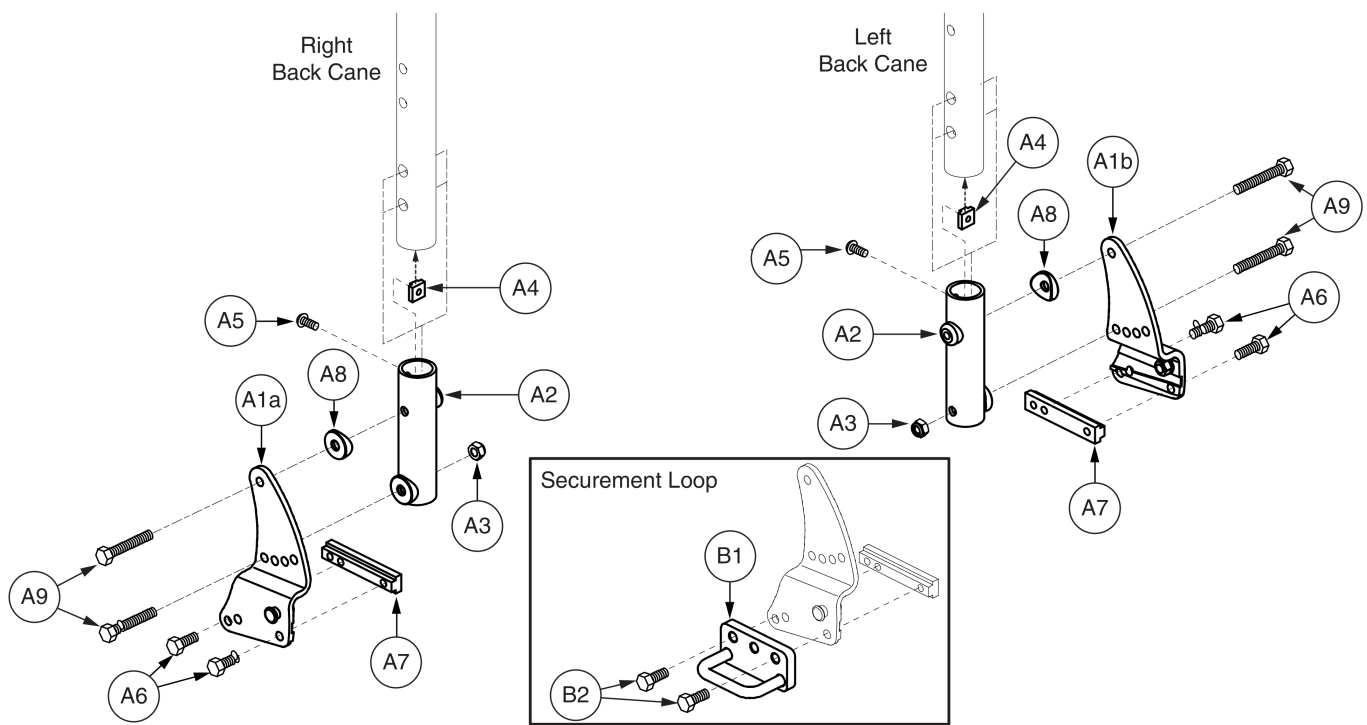
Item	Part No.	Name	Qty
A1a - A9	FRMASMB16392	BACK CANE BRACKET,ASSY,MESOMORPH,2" OUT,RIGHT	1
A1b - A9	FRMASMB16391	BACK CANE BRACKET,ASSY,MESOMORPH,2" OUT,LEFT	1
A1a	FRMASMB11100	SIDE RAIL MOUNT BRACKET,ASSY,ANGLE ADJUSTMENT,2"OUT,RIGHT	1
A1b	FRMASMB11099	SIDE RAIL MOUNT BRACKET,ASSY,ANGLE ADJUSTMENT,2"OUT,LEFT	1
A2	DWR1360C154	BACK CANE SUPPORT TUBE WELDMENT,C-1360-154	1
A3	NUTNYLK1026	NUT,NYLOCK,BLACK ZINC,5/16-18	1
A4	DWR1360A002	T-NUT,1/4-20 X 0.5625",A-1360-002	1
A5	SCRASBH1096	SCREW,BHSCS,BLACK ZINC,1/4-20 X 0.625",GRADE 8,W/NYLON PATCH,A-1360-009	1
A6	SCRHHCS1241	SCREW,HHCS,BLACK ZINC,5/16-18 X 0.75",GR 8,W/PATCH	2
A7	DWR1005C029	T-NUT,BLACK,5/16-18 X 3.25",3 HOLE,C-1005-029	1
A8	DWR1005B112	WASHER,COPED,BLACK,NYLON,0.333" ID X 1.00" OD,B-1005-112	1
A9	SCRHHCS1585	SCREW,HHCS,BLACK ZINC,5/16-18 X 2.00",GR 8,W/PATCH	2
B1	DWR1600B122B	SEAT FRAME,SECUREMENT BRACKET WELDMENT,TEXTURED	2
B2	SCRHHCS1300	SCREW,HHCS,BLACK ZINC,5/16-18 X 1.00",GR 8,W/PATCH	4

### 5.2. Mesomorph Back Cane Bracket Assy's



Item	Part No.	Name	Qty
A1 - A9		BACK CANE BRACKET,ASSY,MESOMORPH,2" OUT,SYNERGY TRANSIT,PAIR,TEXTURED	1
A1a - A9		BACK CANE BRACKET,ASSY,MESOMORPH,2" OUT,SYNERGY TRANSIT,RIGHT,TEXTURED	1
A1b - A9		BACK CANE BRACKET,ASSY,MESOMORPH,2" OUT,SYNERGY TRANSIT,LEFT,TEXTURED	1
A1a	FRMASMB11100	SIDE RAIL MOUNT BRACKET,ASSY,ANGLE ADJUSTMENT,2"OUT,RIGHT	1
A1b	FRMASMB11099	SIDE RAIL MOUNT BRACKET,ASSY,ANGLE ADJUSTMENT,2"OUT,LEFT	1
A2	DWR1360C154	BACK CANE SUPPORT TUBE WELDMENT,C-1360-154	1
A3	NUTNYLK1026	NUT,NYLOCK,BLACK ZINC,5/16-18	1
A4	DWR1360A002	T-NUT,1/4-20 X 0.5625",A-1360-002	1
A5	SCRASBH1096	SCREW,BHSCS,BLACK ZINC,1/4-20 X 0.625",GRADE 8,W/NYLON PATCH,A-1360-009	1
A6	DWR1005C029	T-NUT,BLACK,5/16-18 X 3.25",3 HOLE,C-1005-029	1
A7	DWR1005B112	WASHER,COPED,BLACK,NYLON,0.333" ID X 1.00" OD,B-1005-112	2
A8	SCRHHCS1585	SCREW,HHCS,BLACK ZINC,5/16-18 X 2.00",GR 8,W/PATCH	2
A9	SCRHHCS1240	SCREW,HHCS,BLACK ZINC,5/16-18 X 0.875",GR 8,W/PATCH	2

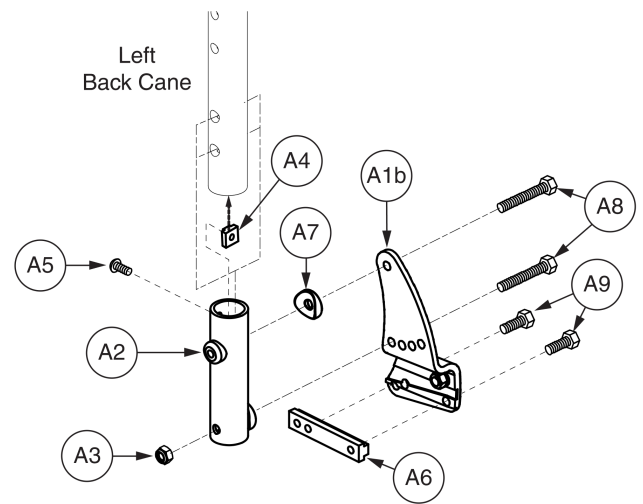
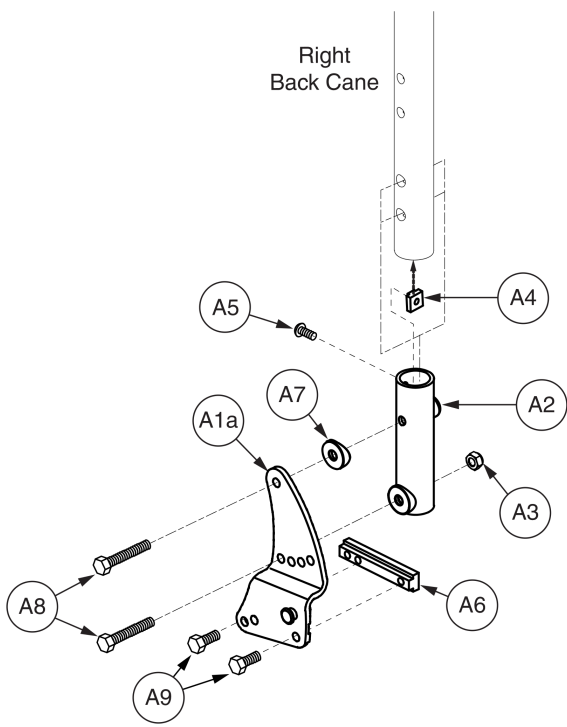
### 5.3. Endomorph Back Cane Bracket Assy's





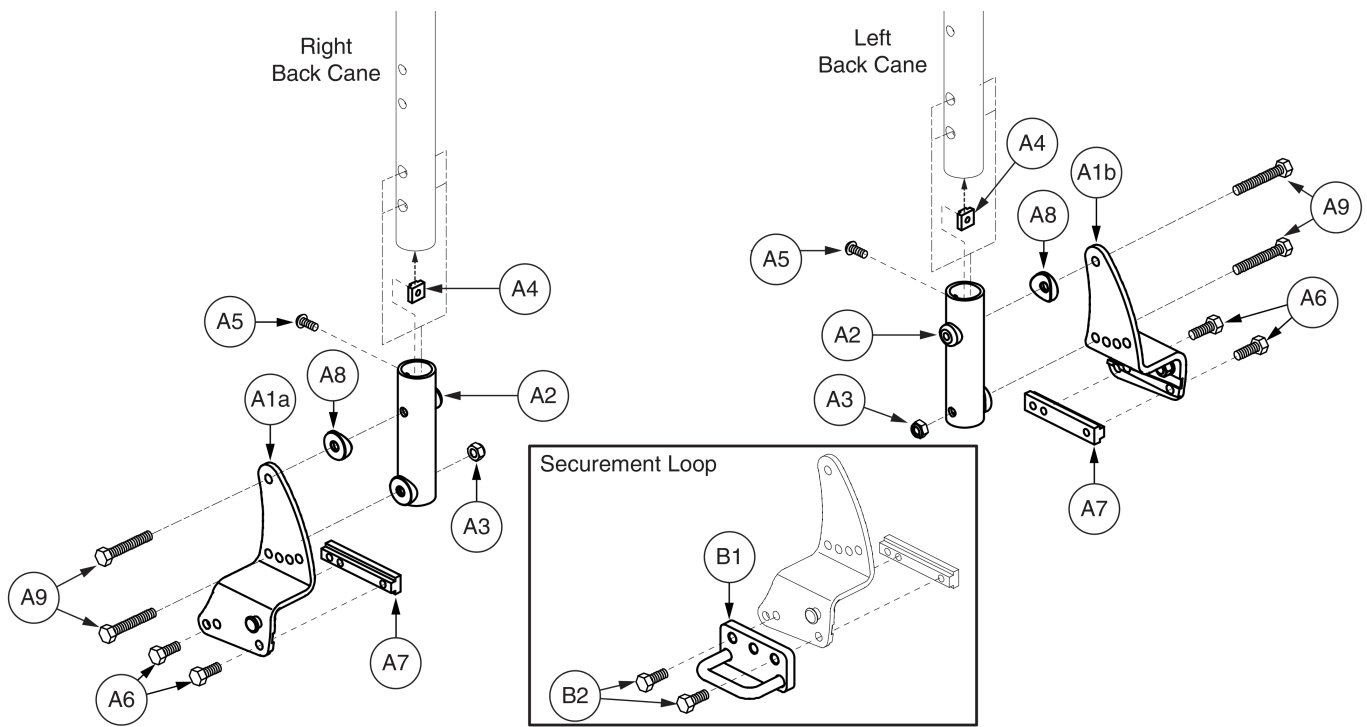
Item	Part No.	Name	Qty
A1a - A9	FRMASMB16395	BACK CANE BRACKET,ASSY,ENDOMORPH,1" IN,SYNERGY,RIGHT	1
A1b - A9	FRMASMB16394	BACK CANE BRACKET,ASSY,ENDOMORPH,1" IN,SYNERGY,LEFT	1
A1a	FRMASMB11106	SIDE RAIL MOUNT,ASSY,ANGLE ADJUSTMENT,1" IN,RIGHT	1
A1b	FRMASMB11105	SIDE RAIL MOUNT,ASSY,ANGLE ADJUSTMENT,1" IN,LEFT	1
A2	DWR1360C154	BACK CANE SUPPORT TUBE WELDMENT,C-1360-154	1
A3	NUTNYLK1026	NUT,NYLOCK,BLACK ZINC,5/16-18	1
A4	DWR1360A002	T-NUT,1/4-20 X 0.5625",A-1360-002	1
A5	SCRASBH1096	SCREW,BHSCS,BLACK ZINC,1/4-20 X 0.625",GRADE 8,W/NYLON PATCH,A-1360-009	1
A6	SCRHHCS1241	SCREW,HHCS,BLACK ZINC,5/16-18 X 0.75",GR 8,W/PATCH	2
A7	DWR1005C029	T-NUT,BLACK,5/16-18 X 3.25",3 HOLE,C-1005-029	1
A8	DWR1005B112	WASHER,COPED,BLACK,NYLON,0.333" ID X 1.00" OD,B-1005-112	1
A9	SCRHHCS1585	SCREW,HHCS,BLACK ZINC,5/16-18 X 2.00",GR 8,W/PATCH	2
B1	DWR1600B122B	SEAT FRAME,SECUREMENT BRACKET WELDMENT,TEXTURED	2
B2	SCRHHCS1300	SCREW,HHCS,BLACK ZINC,5/16-18 X 1.00",GR 8,W/PATCH	4

5.3. Endomorph Back Cane Bracket Assy's



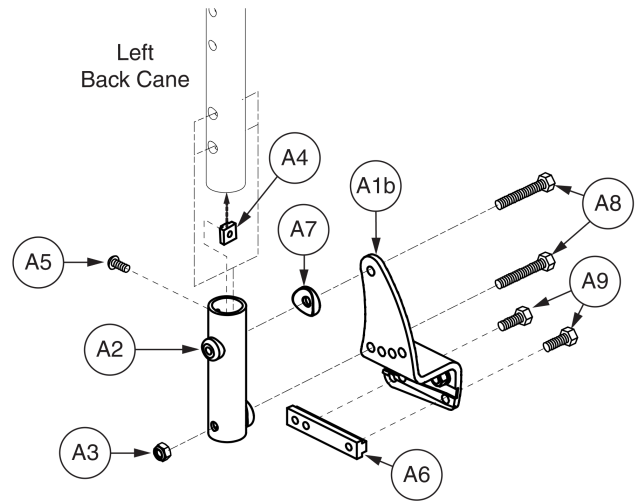
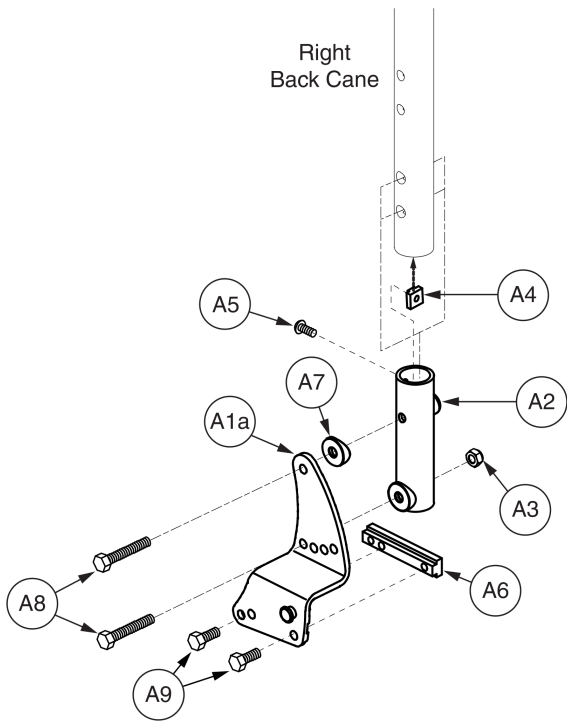
Item	Part No.	Name	Qty
A1 - A9		BACK CANE BRACKET,ASSY,ENDOMORPH,1" IN,SYNERGY TRANSIT,PAIR,TEXTURED	1
A1a - A9	FRMASMB12117	BACK CANE BRACKET,ASSY,ENDOMORPH,1" IN,SYNERGY TRANSIT,RIGHT,TEXTURED	1
A1b - A9	FRMASMB12116	BACK CANE BRACKET,ASSY,ENDOMORPH,1" IN,SYNERGY TRANSIT,LEFT,TEXTURED	1
A1a	FRMASMB11106	SIDE RAIL MOUNT,ASSY,ANGLE ADJUSTMENT,1" IN,RIGHT	1
A1b	FRMASMB11105	SIDE RAIL MOUNT,ASSY,ANGLE ADJUSTMENT,1" IN,LEFT	1
A2	DWR1360C154	BACK CANE SUPPORT TUBE WELDMENT,C-1360-154	1
A3	NUTNYLK1026	NUT,NYLOCK,BLACK ZINC,5/16-18	1
A4	DWR1360A002	T-NUT,1/4-20 X 0.5625",A-1360-002	1
A5	SCRASBH1096	SCREW,BHSCS,BLACK ZINC,1/4-20 X 0.625",GRADE 8,W/NYLON PATCH,A-1360-009	1
A6	DWR1005C029	T-NUT,BLACK,5/16-18 X 3.25",3 HOLE,C-1005-029	1
A7	DWR1005B112	WASHER,COPED,BLACK,NYLON,0.333" ID X 1.00" OD,B-1005-112	1
A8	SCRHHCS1585	SCREW,HHCS,BLACK ZINC,5/16-18 X 2.00",GR 8,W/PATCH	2
A9	SCRHHCS1240	SCREW,HHCS,BLACK ZINC,5/16-18 X 0.875",GR 8,W/PATCH	2

### 5.3. Endomorph Back Cane Bracket Assy's



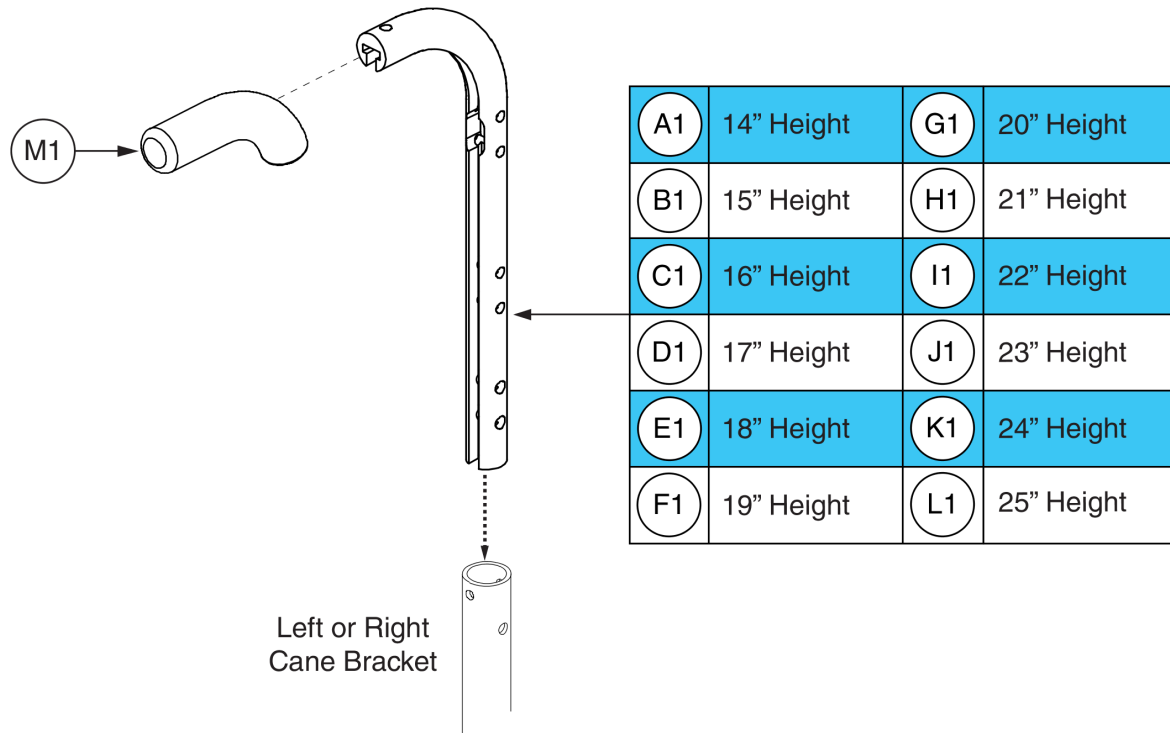
Item	Part No.	Name	Qty
A1a - A9	FRMASMB16398	BACK CANE BRACKET,ASSY,ENDOMORPH,2"IN,SYNERGY,RIGHT,TEXTURED	1
A1b - A9	FRMASMB16397	BACK CANE BRACKET,ASSY,ENDOMORPH,2"IN,SYNERGY,LEFT,TEXTURED	1
A1a	FRMASMB11102	SIDE RAIL MOUNT,ASSY,ANGLE ADJUSTMENT,2" IN,RIGHT	1
A1b	FRMASMB11101	SIDE RAIL MOUNT,ASSY,ANGLE ADJUSTMENT,2" IN,LEFT	1
A2	DWR1360C154	BACK CANE SUPPORT TUBE WELDMENT,C-1360-154	1
A3	NUTNYLK1026	NUT,NYLOCK,BLACK ZINC,5/16-18	1
A4	DWR1360A002	T-NUT,1/4-20 X 0.5625",A-1360-002	1
A5	SCRASBH1096	SCREW,BHSCS,BLACK ZINC,1/4-20 X 0.625",GRADE 8,W/NYLON PATCH,A-1360-009	1
A6	SCRHHCS1241	SCREW,HHCS,BLACK ZINC,5/16-18 X 0.75",GR 8,W/PATCH	2
A7	DWR1005C029	T-NUT,BLACK,5/16-18 X 3.25",3 HOLE,C-1005-029	1
A8	DWR1005B112	WASHER,COPED,BLACK,NYLON,0.333" ID X 1.00" OD,B-1005-112	1
A9	SCRHHCS1585	SCREW,HHCS,BLACK ZINC,5/16-18 X 2.00",GR 8,W/PATCH	2
B1	DWR1600B122B	SEAT FRAME,SECUREMENT BRACKET WELDMENT,TEXTURED	2
B2	SCRHHCS1300	SCREW,HHCS,BLACK ZINC,5/16-18 X 1.00",GR 8,W/PATCH	4

5.3. Endomorph Back Cane Bracket Assy's



Item	Part No.	Name	Qty
A1 - A9		BACK CANE BRACKET,ASSY,ENDOMORPH,2" IN,SYNERGY TRANSIT,PAIR,TEXTURED	1
A1a - A9		BACK CANE BRACKET,ASSY,ENDOMORPH,2" IN,SYNERGY TRANSIT,RIGHT,TEXTURED	1
A1b - A9		BACK CANE BRACKET,ASSY,ENDOMORPH,2" IN,SYNERGY TRANSIT,LEFT,TEXTURED	1
A1a	FRMASMB11102	SIDE RAIL MOUNT,ASSY,ANGLE ADJUSTMENT,2" IN,RIGHT	1
A1b	FRMASMB11101	SIDE RAIL MOUNT,ASSY,ANGLE ADJUSTMENT,2" IN,LEFT	1
A2	DWR1360C154	BACK CANE SUPPORT TUBE WELDMENT,C-1360-154	1
A3	NUTNYLK1026	NUT,NYLOCK,BLACK ZINC,5/16-18	1
A4	DWR1360A002	T-NUT,1/4-20 X 0.5625",A-1360-002	1
A5	SCRASBH1096	SCREW,BHSCS,BLACK ZINC,1/4-20 X 0.625",GRADE 8,W/NYLON PATCH,A-1360-009	1
A6	DWR1005C029	T-NUT,BLACK,5/16-18 X 3.25",3 HOLE,C-1005-029	1
A7	DWR1005B112	WASHER,COPED,BLACK,NYLON,0.333" ID X 1.00" OD,B-1005-112	1
A8	SCRHHCS1585	SCREW,HHCS,BLACK ZINC,5/16-18 X 2.00",GR 8,W/PATCH	2
A9	SCRHHCS1240	SCREW,HHCS,BLACK ZINC,5/16-18 X 0.875",GR 8,W/PATCH	2

### 5.4. Back Cane Extrusions

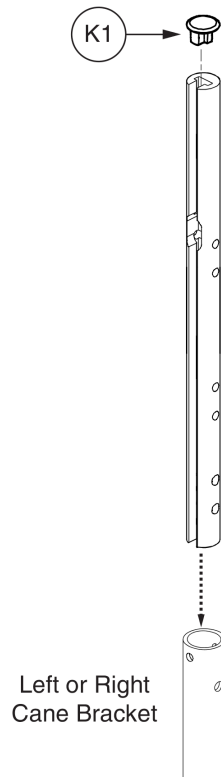




Item	Part No.	Name	Qty
A1	FRMASMB15832	BACK CANE,ASSY,W/SHORT PUSH HANDLE,14"H,6 HOLE,SYNERGY	1
B1	FRMASMB15833	BACK CANE,ASSY,W/SHORT PUSH HANDLE,15"H,6 HOLE,SYNERGY	1
C1	FRMASMB15834	BACK CANE,ASSY,W/SHORT PUSH HANDLE,16"H,6 HOLE	1
D1	FRMASMB15835	BACK CANE,ASSY,W/SHORT PUSH HANDLE,17"H,6 HOLE	1
E1	FRMASMB15836	BACK CANE,ASSY,W/SHORT PUSH HANDLE,18"H,6 HOLE,SYNERGY	1
F1	FRMASMB15837	BACK CANE,ASSY,W/SHORT PUSH HANDLE,19"H,6 HOLE,SYNERGY	1
G1	FRMASMB15838	BACK CANE,ASSY,W/SHORT PUSH HANDLE,20"H,6 HOLE	1
H1	FRMASMB15839	BACK CANE,ASSY,W/SHORT PUSH HANDLE,21"H,6 HOLE	1
I1	FRMASMB15840	BACK CANE,ASSY,W/SHORT PUSH HANDLE,22"H,6 HOLE,SYNERGY	1
J1	FRMASMB15841	BACK CANE,ASSY,W/SHORT PUSH HANDLE,23"H,6 HOLE,SYNERGY	1
K1	FRMASMB15842	BACK CANE,ASSY,W/SHORT PUSH HANDLE,24"H,6 HOLE	1
L1	FRMASMB15843	BACK CANE,ASSY,W/SHORT PUSH HANDLE,25"H,6 HOLE	1
M1	PROHDL1052	HAND GRIP,BLACK,FOAM,.94"ID X 5.00"L X .125"TH	1

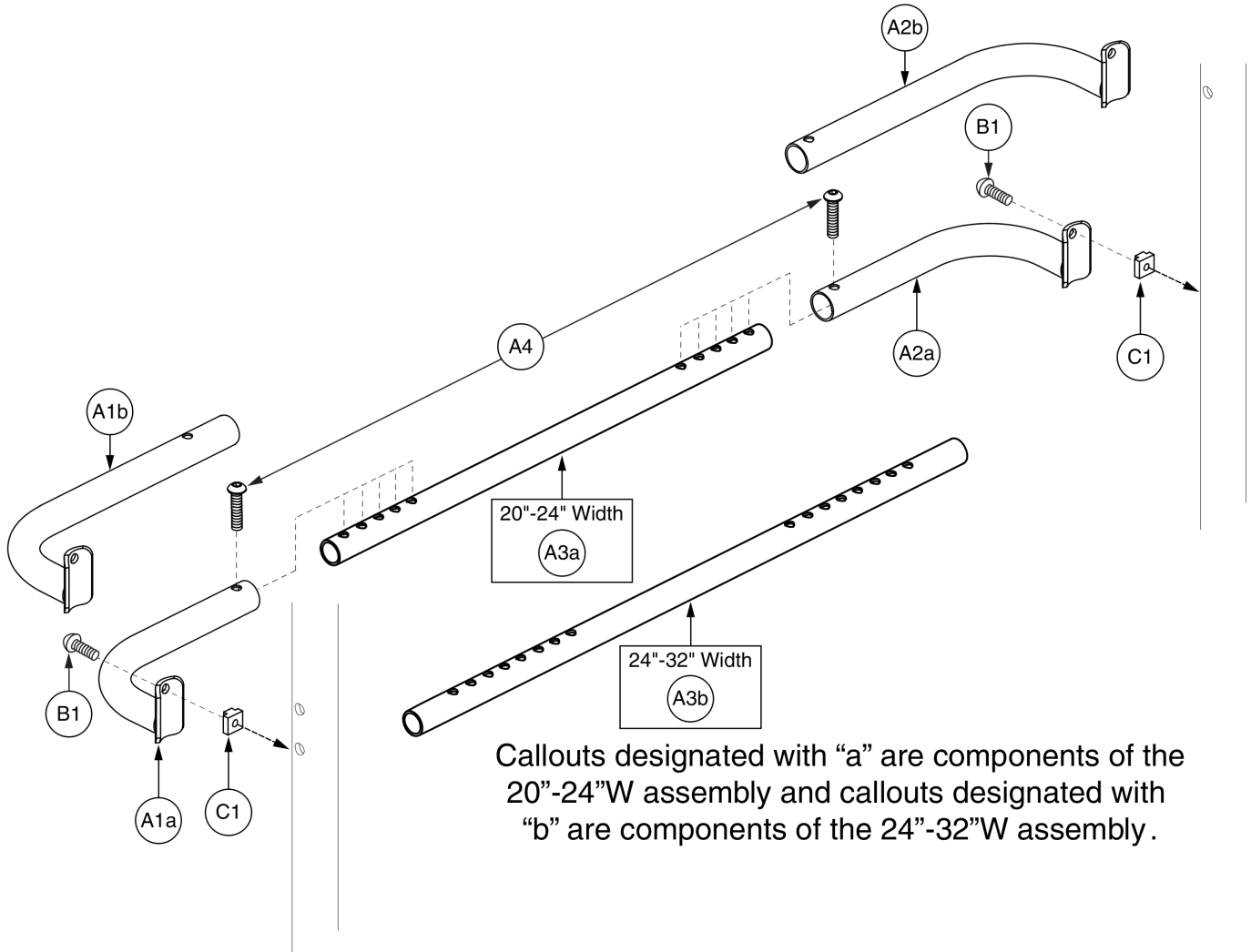
#### 5.4. Back Cane Extrusions

Please note: The straight, no push handle back canes are no longer available.  
Contact Technical Service for replacement options.



Item	Part No.	Name	Qty
A1	FRMASMB15774	BACK CANE,ASSY,NO PUSH HANDLE,STRAIGHT,16"H,6 HOLE	1
B1	FRMASMB15775	BACK CANE,ASSY,NO PUSH HANDLE,STRAIGHT,17"H,6 HOLE	1
C1	FRMASMB15776	BACK CANE,ASSY,NO PUSH HANDLE,STRAIGHT,18"H,6 HOLE	1
D1	FRMASMB15777	BACK CANE,ASSY,NO PUSH HANDLE,STRAIGHT,19"H,6 HOLE	1
E1	FRMASMB15778	BACK CANE,ASSY,NO PUSH HANDLE,STRAIGHT,20"H,6 HOLE	1
F1	FRMASMB15779	BACK CANE,ASSY,NO PUSH HANDLE,STRAIGHT,21"H,6 HOLE	1
G1	FRMASMB15780	BACK CANE,ASSY,NO PUSH HANDLE,STRAIGHT,22"H,6 HOLE	1
H1	FRMASMB15781	BACK CANE,ASSY,NO PUSH HANDLE,STRAIGHT,23"H,6 HOLE	1
I1	FRMASMB15782	BACK CANE,ASSY,NO PUSH HANDLE,STRAIGHT,24"H,6 HOLE	1
J1		BACK CANE,ASSY,NO PUSH HANDLE,STRAIGHT,25"H,6 HOLE	1
K1	DWR1367C043	END CAP,RECLINE ARMREST,TRU-BALANCE POWER RECLINE,C-1367-043	1

6. Rigidizing Bar Assy's

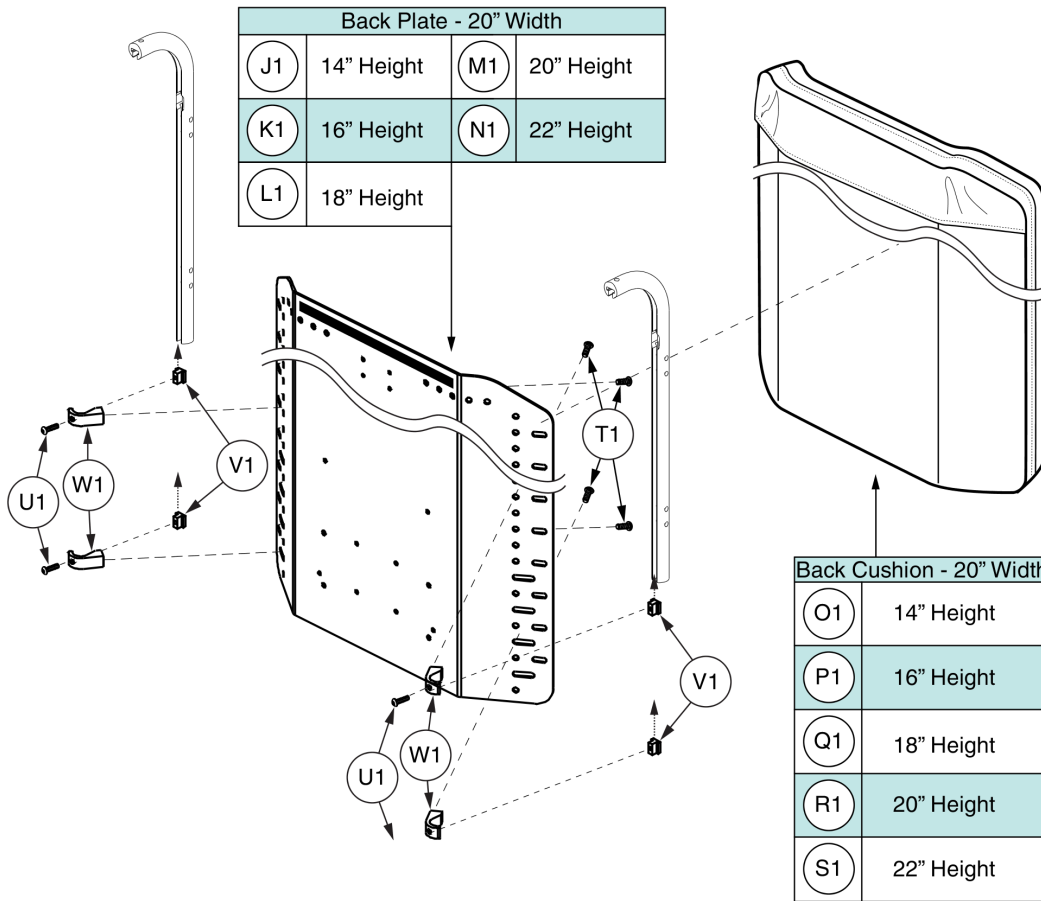


# Push Bar - HD, 20"-28" W, Bariatric Tilt



Item	Part No.	Name	Qty
A1a - C1	FRMASMB17116	RIGIDIZING BAR,ASSY,20"W-24"W,CANE MOUNTED,W/HARDWARE	1
A1b - C1	FRMASMB17117	RIGIDIZING BAR,ASSY,24"W-32"W,CANE MOUNTED,W/HARDWARE	1
A1a - A4		RIGIDIZING BAR,ASSY,20"W-24"W,BACK CANE MOUNTED,TRUBALANCE,E-1359-088	1
A1a		PUSH BAR END TUBE WELDMENT,14-24"W,STANDARD BACK,RIGHT	1
A2a		PUSH BAR END TUBE WELDMENT,14-24"W,STANDARD BACK,LEFT	1
A3a		PUSH BAR CENTER TUBE,20"W-24"W,TRU-BALANCE	1
A1b - A4	FRMASMB16355	RIGIDIZING BAR,ASSY,24"W-32"W,BACK CANE MOUNTED,TRUBALANCE,E-1359-089	1
A1b		PUSH BAR END TUBE WELDMENT,24-32"W,STANDARD BACK,RIGHT	1
A2b		PUSH BAR END TUBE WELDMENT,24-32"W,STANDARD BACK,LEFT	1
A3b		PUSH BAR CENTER TUBE,24"W-32"W,TRU-BALANCE,C-1359-018	1
A4	SCRASBH1210	SCREW, BUTTON HEAD, .250-20 X .75, ASTM F835, BZ, PVTP	2
B1	SCRASBH1209	SCREW,BHSCS,BLACK ZINC,1/4-20 X .875",GR 8,W/PATCH	2
C1	DWR1359B003	T-NUT,BLACK,1/4-20 X 0.563",0.50" TH,B-1359-003	2

7.1. Standard Back Assy's



The complete Synergy Standard Back Assy's include the Seat Back, Cushion and mounting hardware (T1-W1).

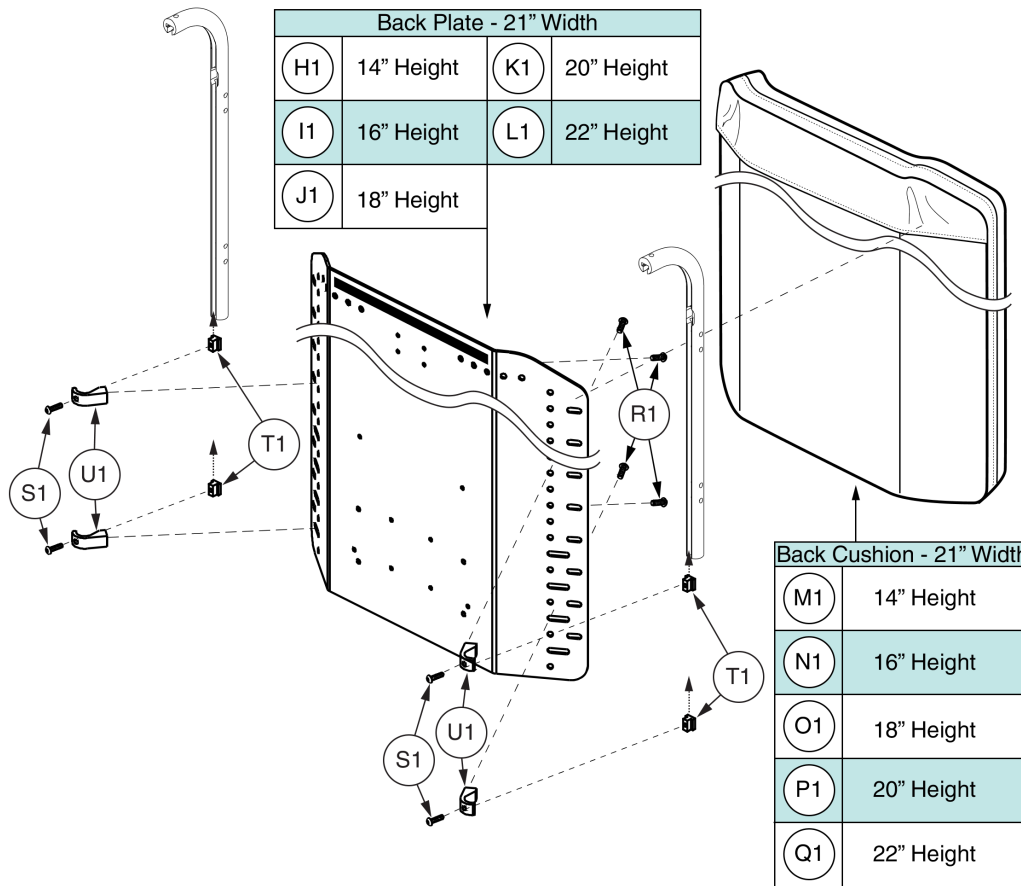
(A1)	Includes Seat Back (J1) and Cushion (O1)
(B1)	Includes Seat Back (J1) and Cushion (O1)
(C1)	Includes Seat Back (K1) and Cushion (P1)
(D1)	Includes Seat Back (K1) and Cushion (P1)
(E1)	Includes Seat Back (L1) and Cushion (Q1)
(F1)	Includes Seat Back (L1) and Cushion (Q1)
(G1)	Includes Seat Back (M1) and Cushion (R1)
(H1)	Includes Seat Back (M1) and Cushion (R1)
(I1)	Includes Seat Back (N1) and Cushion (S1)

# Standard Back - 20" Width, Bariatric Tilt



Item	Part No.	Name	Qty
A1	SETASMB6467	SYNERGY STANDARD BACK,20"W,17"H,W/CUSHION,(20"W X 14"H)	1
B1	SETASMB6643	SYNERGY STANDARD BACK,20"W,18"H,W/CUSHION,(20"W X 14"H)	1
C1	SETASMB6478	SYNERGY STANDARD BACK,20"W,19"H,W/CUSHION,(20"W X 16"H)	1
D1	SETASMB6654	SYNERGY STANDARD BACK,20"W,20"H,W/CUSHION,(20"W X 16"H)	1
E1	SETASMB6497	SYNERGY STANDARD BACK,20"W,21"H,W/CUSHION,(20"W X 18"H)	1
F1	SETASMB6673	SYNERGY STANDARD BACK,20"W,22"H,W/CUSHION,(20"W X 18"H)	1
G1	SETASMB6516	SYNERGY STANDARD BACK,20"W,23"H,W/CUSHION,(20"W X 20"H)	1
H1	SETASMB6692	SYNERGY STANDARD BACK,20"W,24"H,W/CUSHION,(20"W X 20"H)	1
I1	SETASMB6535	SYNERGY STANDARD BACK,20"W,25"H,W/CUSHION,(20"W X 22"H)	1
J1	DWR1359E029K	SEAT BACK,20"W,14"H,SYNERGY STANDARD,E-1359-029	1
K1	DWR1359E032K	SEAT BACK,20"W,16"H,SYNERGY STANDARD,E-1359-032	1
L1	DWR1359E034K	SEAT BACK,20"W,18"H,SYNERGY STANDARD,E-1359-034	1
M1	DWR1359E036K	SEAT BACK,20"W,20"H,SYNERGY STANDARD,E-1359-036	1
N1	DWR1359E045K	SEAT BACK,20"W,22"H,SYNERGY STANDARD,E-1359-045	1
O1	CUSASMB2342	CUSHION,ASSY,20"W,14"H,SYNERGY STANDARD BACK,E-1359-083	1
P1	CUSASMB2353	CUSHION,ASSY,20"W,16"H,SYNERGY STANDARD BACK,E-1359-082	1
Q1	CUSASMB2372	CUSHION,ASSY,20"W,18"H,SYNERGY STANDARD BACK,E-1359-081	1
R1	CUSASMB2391	CUSHION,ASSY,20"W,20"H,SYNERGY STANDARD BACK,E-1359-079	1
S1	CUSASMB2410	CUSHION,ASSY,20"W,22"H,SYNERGY STANDARD BACK,E-1359-080	1
T1	SCRASBH1148	SCREW,BHSCS,BLACK ZINC,1/4-20 X 0.50",W/PATCH	4
U1	SCRASBH1210	SCREW, BUTTON HEAD, .250-20 X .75, ASTM F835, BZ, PVTP	4
V1	DWR1359B003	T-NUT,BLACK,1/4-20 X 0.563",0.50" TH,B-1359-003	4
W1	DWR1306C024	BACK PLATE BRACKET,T-SLOT,1",C-1306-024	4

7.1. Standard Back Assy's



The complete Synergy Standard Back Assy's include the Seat Back, Cushion and mounting hardware (R1-U1).

Ref #	Size	Includes
(A1)	21"W x 16"H	Seat Back (I1) and Cushion (N1)
(B1)	21"W x 16"H	Seat Back (I1) and Cushion (N1)
(C1)	21"W x 18"H	Seat Back (J1) and Cushion (O1)
(D1)	21"W x 18"H	Seat Back (J1) and Cushion (O1)
(E1)	21"W x 20"H	Seat Back (K1) and Cushion (P1)
(F1)	21"W x 20"H	Seat Back (K1) and Cushion (P1)
(G1)	21"W x 22"H	Seat Back (L1) and Cushion (Q1)

\*\*\* Only sizes listed are available for replacement. All other sizes have been discontinued. \*\*\*

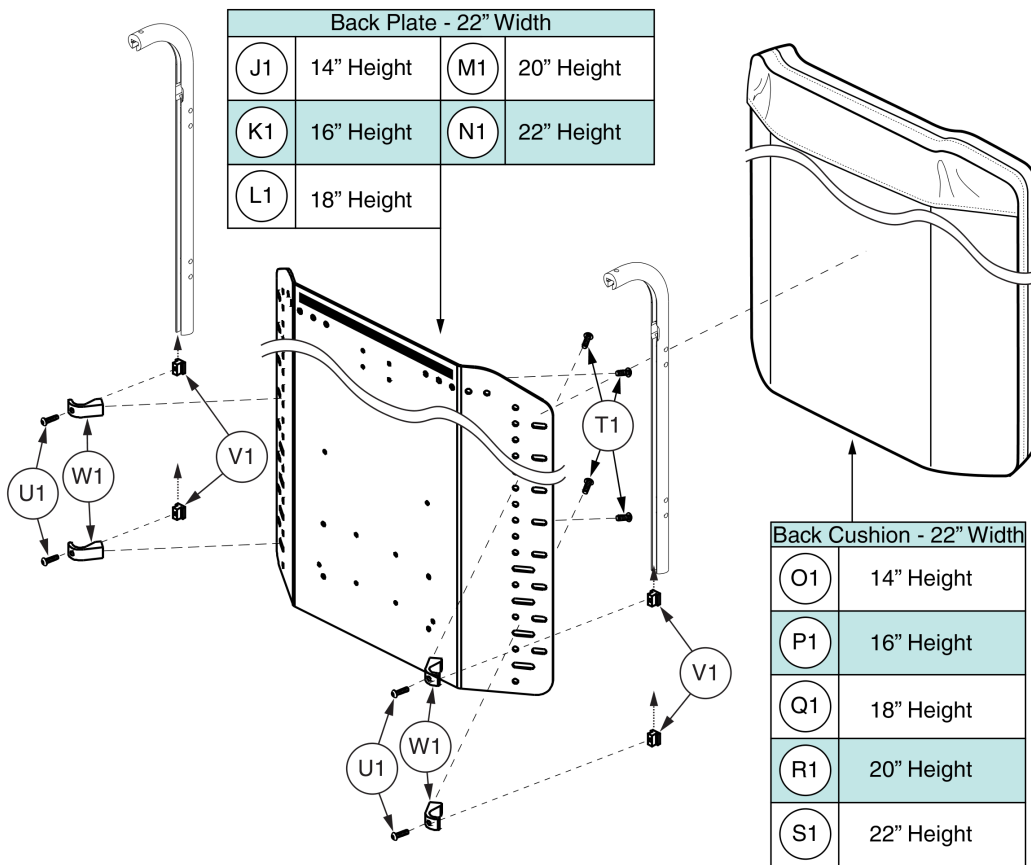


# Standard Back - 21" Width, Bariatric Tilt



Item	Part No.	Name	Qty
A1	SETASMB6479	SYNERGY STANDARD BACK,21"W,19"H,W/CUSHION,(21"W X 16"H)	1
B1	SETASMB6655	SYNERGY STANDARD BACK,21"W,20"H,W/CUSHION,(21"W X 16"H)	1
C1	SETASMB6498	SYNERGY STANDARD BACK,21"W,21"H,W/CUSHION,(21"W X 18"H)	1
D1	SETASMB6674	SYNERGY STANDARD BACK,21"W,22"H,W/CUSHION,(21"W X 18"H)	1
E1	SETASMB6517	SYNERGY STANDARD BACK,21"W,23"H,W/CUSHION,(21"W X 20"H)	1
F1	SETASMB6693	SYNERGY STANDARD BACK,21"W,24"H,W/CUSHION,(21"W X 20"H)	1
G1	SETASMB6536	SYNERGY STANDARD BACK,21"W,25"H,W/CUSHION,(21"W X 22"H)	1
H1		SEAT BACK,21"W,14"H,SYNERGY STANDARD,E-1359-029	1
I1	DWR1359E032L	SEAT BACK,21"W,16"H,SYNERGY STANDARD,E-1359-032	1
J1	DWR1359E034L	SEAT BACK,21"W,18"H,SYNERGY STANDARD,E-1359-034	1
K1	DWR1359E036L	SEAT BACK,21"W,20"H,SYNERGY STANDARD,E-1359-036	1
L1	DWR1359E045L	SEAT BACK,21"W,22"H,SYNERGY STANDARD,E-1359-045	1
M1		CUSHION,ASSY,21"W,14"H,SYNERGY STANDARD BACK,E-1359-083	1
N1	CUSASMB2354	CUSHION,ASSY,21"W,16"H,SYNERGY STANDARD BACK,E-1359-082	1
O1	CUSASMB2373	CUSHION,ASSY,21"W,18"H,SYNERGY STANDARD BACK,E-1359-081	1
P1	CUSASMB2392	CUSHION,ASSY,21"W,20"H,SYNERGY STANDARD BACK,E-1359-079	1
Q1	CUSASMB2411	CUSHION,ASSY,21"W,22"H,SYNERGY STANDARD BACK,E-1359-080	1
R1	SCRASBH1148	SCREW,BHSCS,BLACK ZINC,1/4-20 X 0.50",W/PATCH	4
S1	SCRASBH1210	SCREW, BUTTON HEAD, .250-20 X .75, ASTM F835, BZ, PVTP	4
T1	DWR1359B003	T-NUT,BLACK,1/4-20 X 0.563",0.50" TH,B-1359-003	4
U1	DWR1306C024	BACK PLATE BRACKET,T-SLOT,1",C-1306-024	4

7.1. Standard Back Assy's



The complete Synergy Standard Back Assy's include the Seat Back, Cushion and mounting hardware (T1-W1).

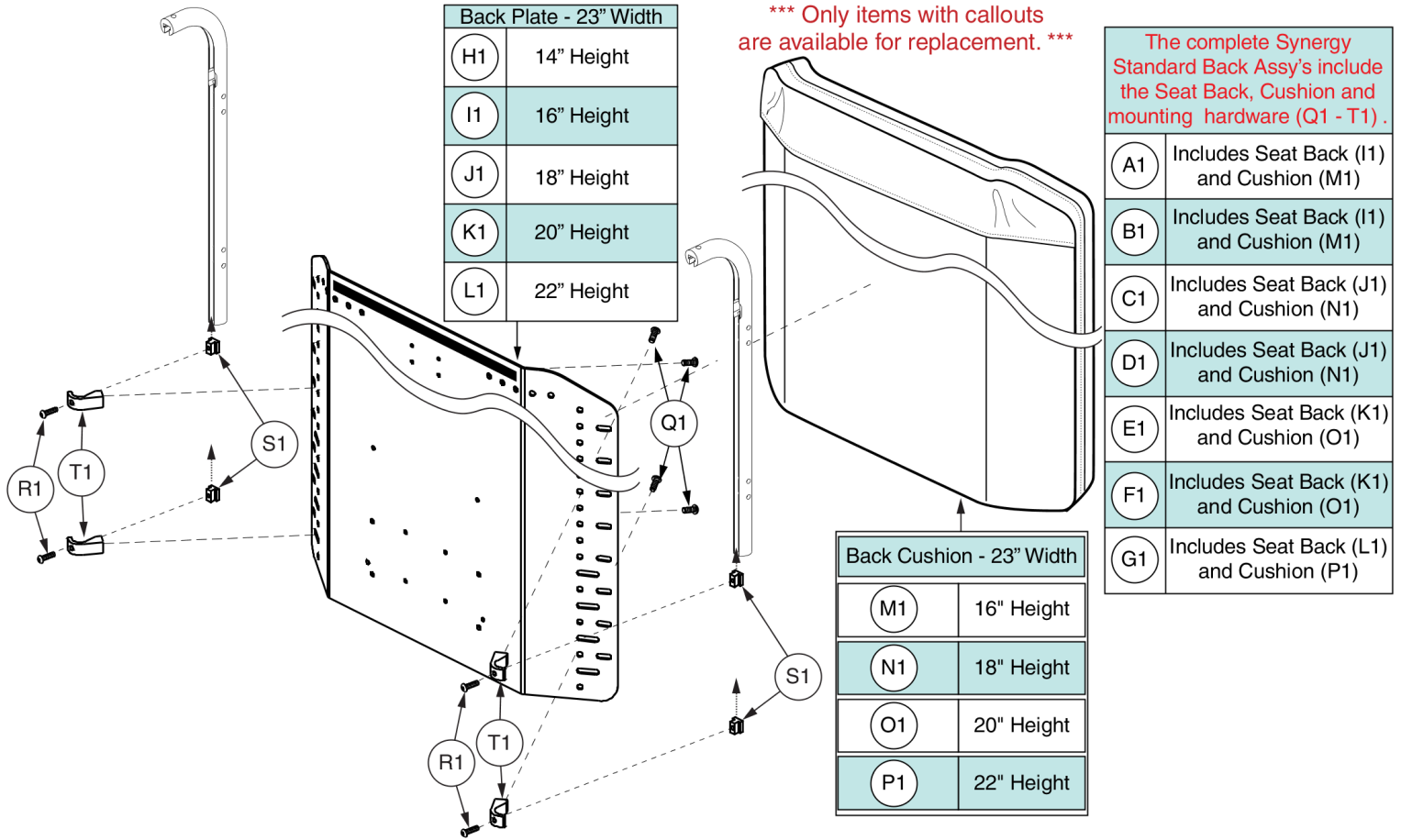
(A1)	Includes Seat Back (J1) and Cushion (O1)
(B1)	Includes Seat Back (J1) and Cushion (O1)
(C1)	Includes Seat Back (K1) and Cushion (P1)
(D1)	Includes Seat Back (K1) and Cushion (P1)
(E1)	Includes Seat Back (L1) and Cushion (Q1)
(F1)	Includes Seat Back (L1) and Cushion (Q1)
(G1)	Includes Seat Back (M1) and Cushion (R1)
(H1)	Includes Seat Back (M1) and Cushion (R1)
(I1)	Includes Seat Back (N1) and Cushion (S1)

# Standard Back - 22" Width, Bariatric Tilt



Item	Part No.	Name	Qty
A1	SETASMB6469	SYNERGY STANDARD BACK,22"W,17"H,W/CUSHION,(22"W X 14"H)	1
B1	SETASMB6645	SYNERGY STANDARD BACK,22"W,18"H,W/CUSHION,(22"W X 14"H)	1
C1	SETASMB6480	SYNERGY STANDARD BACK,22"W,19"H,W/CUSHION,(22"W X 16"H)	1
D1	SETASMB6656	SYNERGY STANDARD BACK,22"W,20"H,W/CUSHION,(22"W X 16"H)	1
E1	SETASMB6499	SYNERGY STANDARD BACK,22"W,21"H,W/CUSHION,(22"W X 18"H)	1
F1	SETASMB6675	SYNERGY STANDARD BACK,22"W,22"H,W/CUSHION,(22"W X 18"H)	1
G1	SETASMB6518	SYNERGY STANDARD BACK,22"W,23"H,W/CUSHION,(22"W X 20"H)	1
H1	SETASMB6694	SYNERGY STANDARD BACK,22"W,24"H,W/CUSHION,(22"W X 20"H)	1
I1	SETASMB6537	SYNERGY STANDARD BACK,22"W,25"H,W/CUSHION,(22"W X 22"H)	1
J1	DWR1359E029M	SEAT BACK,22"W,14"H,SYNERGY STANDARD,E-1359-029	1
K1	DWR1359E032M	SEAT BACK,22"W,16"H,SYNERGY STANDARD,E-1359-032	1
L1	DWR1359E034M	SEAT BACK,22"W,18"H,SYNERGY STANDARD,E-1359-034	1
M1	DWR1359E036M	SEAT BACK,22"W,20"H,SYNERGY STANDARD,E-1359-036	1
N1	DWR1359E045M	SEAT BACK,22"W,22"H,SYNERGY STANDARD,E-1359-045	1
O1	CUSASMB2344	CUSHION,ASSY,22"W,14"H,SYNERGY STANDARD BACK,E-1359-083	1
P1	CUSASMB2355	CUSHION,ASSY,22"W,16"H,SYNERGY STANDARD BACK,E-1359-082	1
Q1	CUSASMB2374	CUSHION,ASSY,22"W,18"H,SYNERGY STANDARD BACK,E-1359-081	1
R1	CUSASMB2393	CUSHION,ASSY,22"W,20"H,SYNERGY STANDARD BACK,E-1359-079	1
S1	CUSASMB2412	CUSHION,ASSY,22"W,22"H,SYNERGY STANDARD BACK,E-1359-080	1
T1	SCRASBH1148	SCREW,BHSCS,BLACK ZINC,1/4-20 X 0.50",W/PATCH	4
U1	SCRASBH1210	SCREW, BUTTON HEAD, .250-20 X .75, ASTM F835, BZ, PVTP	4
V1	DWR1359B003	T-NUT,BLACK,1/4-20 X 0.563",0.50" TH,B-1359-003	4
W1	DWR1306C024	BACK PLATE BRACKET,T-SLOT,1",C-1306-024	4

7.1. Standard Back Assy's

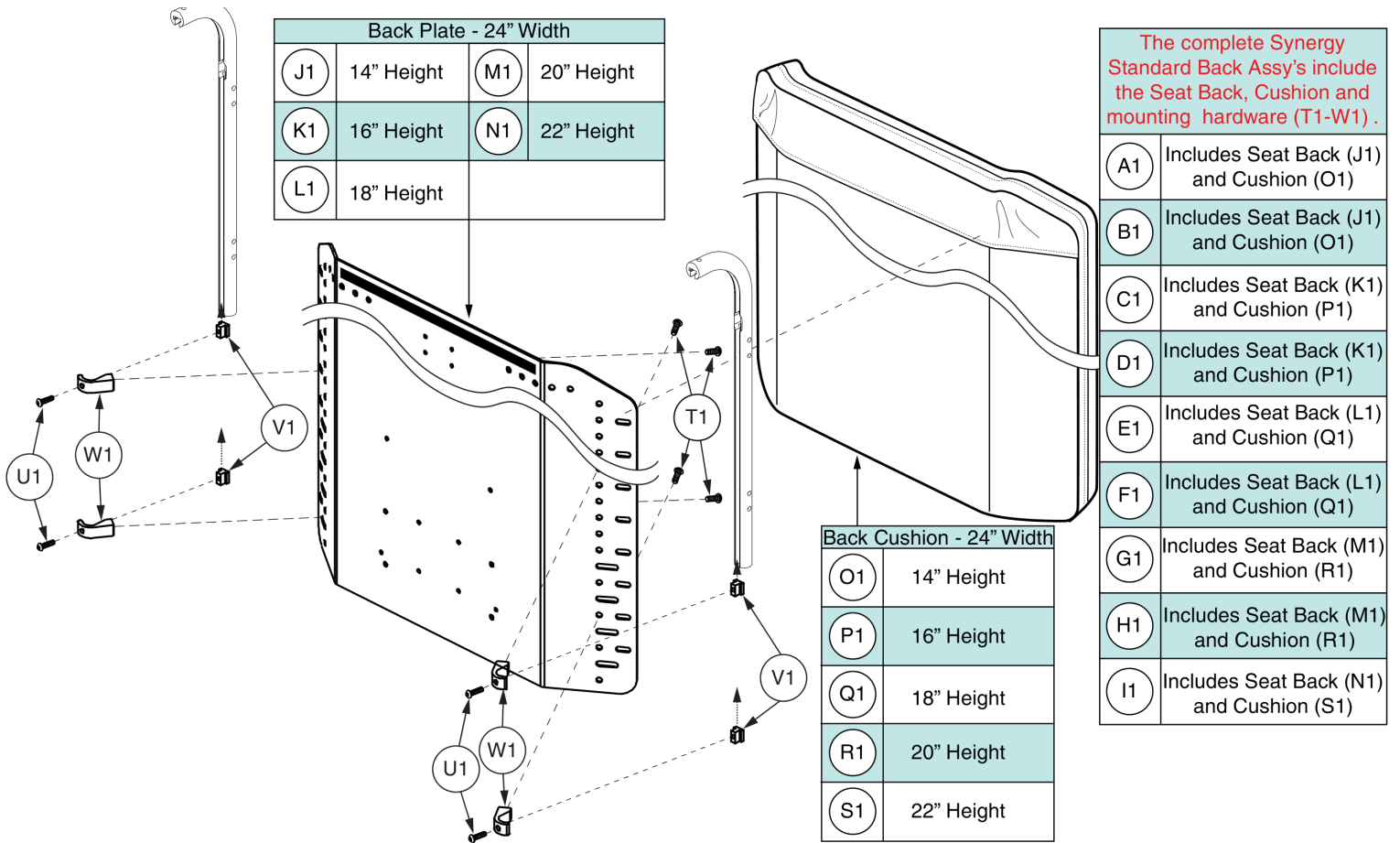


# Standard Back - 23" Width, Bariatric Tilt



Item	Part No.	Name	Qty
A1	SETASMB6481	SYNERGY STANDARD BACK,23"W,19"H,W/CUSHION,(23"W X 16"H)	1
B1	SETASMB6657	SYNERGY STANDARD BACK,23"W,20"H,W/CUSHION,(23"W X 16"H)	1
C1	SETASMB6500	SYNERGY STANDARD BACK,23"W,21"H,W/CUSHION,(23"W X 18"H)	1
D1	SETASMB6676	SYNERGY STANDARD BACK,23"W,22"H,W/CUSHION,(23"W X 18"H)	1
E1	SETASMB6519	SYNERGY STANDARD BACK,23"W,23"H,W/CUSHION,(23"W X 20"H)	1
F1	SETASMB6695	SYNERGY STANDARD BACK,23"W,24"H,W/CUSHION,(23"W X 20"H)	1
G1	SETASMB6538	SYNERGY STANDARD BACK,23"W,25"H,W/CUSHION,(23"W X 22"H)	1
H1		SEAT BACK,23"W,14"H,SYNERGY STANDARD,E-1359-029	1
I1	DWR1359E032N	SEAT BACK,23"W,16"H,SYNERGY STANDARD,E-1359-032	1
J1	DWR1359E034N	SEAT BACK,23"W,18"H,SYNERGY STANDARD,E-1359-034	1
K1	DWR1359E036N	SEAT BACK,23"W,20"H,SYNERGY STANDARD,E-1359-036	1
L1	DWR1359E045N	SEAT BACK,23"W,22"H,SYNERGY STANDARD,E-1359-045	1
M1	CUSASMB2356	CUSHION,ASSY,23"W,16"H,SYNERGY STANDARD BACK,E-1359-082	1
N1	CUSASMB2375	CUSHION,ASSY,23"W,18"H,SYNERGY STANDARD BACK,E-1359-081	1
O1	CUSASMB2394	CUSHION,ASSY,23"W,20"H,SYNERGY STANDARD BACK,E-1359-079	1
P1	CUSASMB2413	CUSHION,ASSY,23"W,22"H,SYNERGY STANDARD BACK,E-1359-080	1
Q1	SCRASBH1148	SCREW,BHSCS,BLACK ZINC,1/4-20 X 0.50",W/PATCH	4
R1	SCRASBH1210	SCREW, BUTTON HEAD, .250-20 X .75, ASTM F835, BZ, PVTP	4
S1	DWR1359B003	T-NUT,BLACK,1/4-20 X 0.563",0.50" TH,B-1359-003	4
T1	DWR1306C024	BACK PLATE BRACKET,T-SLOT,1",C-1306-024	4

7.1. Standard Back Assy's



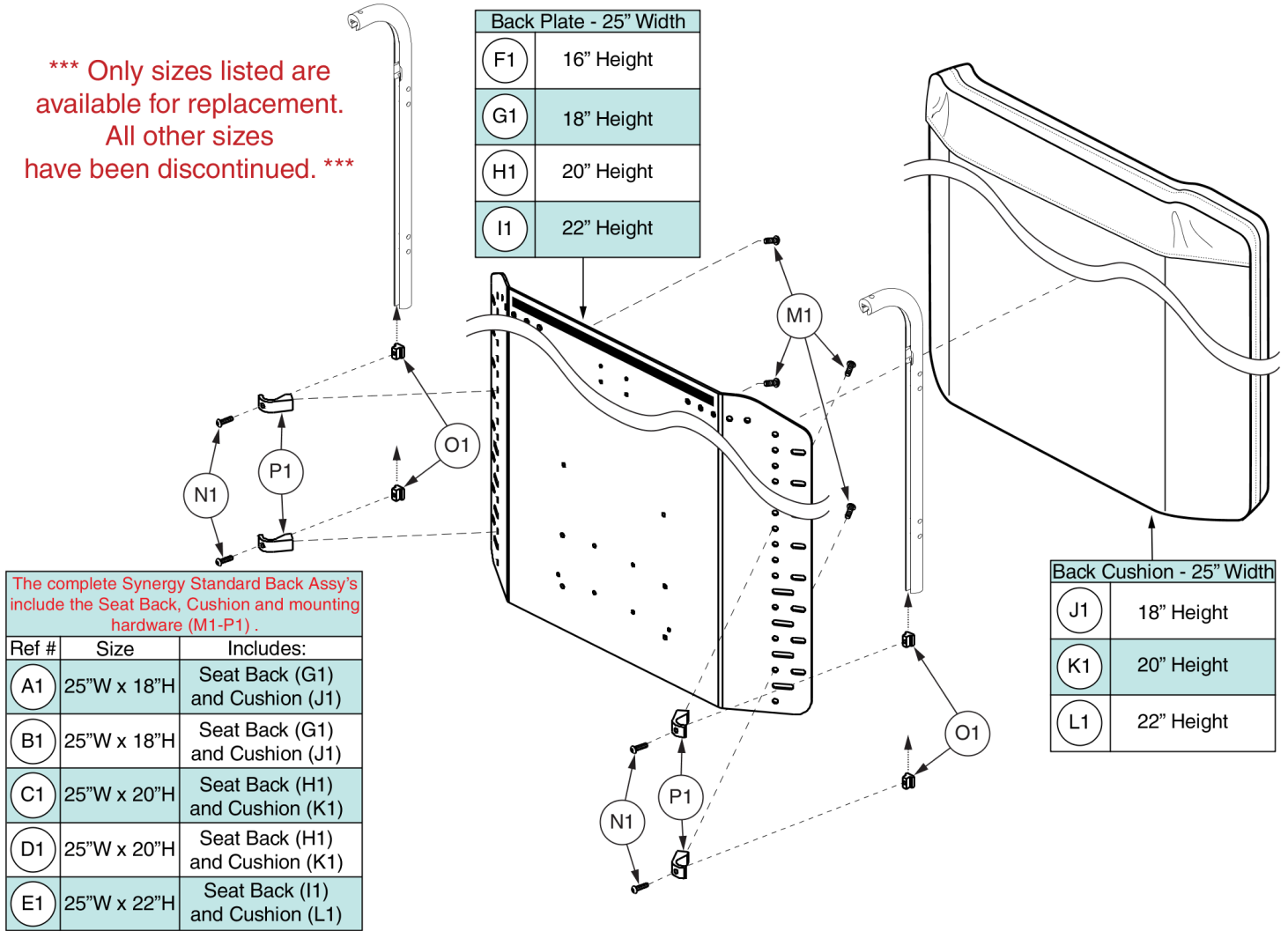
# Standard Back - 24" Width, Bariatric Tilt



Item	Part No.	Name	Qty
A1	SETASMB6471	SYNERGY STANDARD BACK,24"W,17"H,W/CUSHION,(24"W X 14"H)	1
B1	SETASMB6647	SYNERGY STANDARD BACK,24"W,18"H,W/CUSHION,(24"W X 14"H)	1
C1	SETASMB6482	SYNERGY STANDARD BACK,24"W,19"H,W/CUSHION,(24"W X 16"H)	1
D1	SETASMB6658	SYNERGY STANDARD BACK,24"W,20"H,W/CUSHION,(24"W X 16"H)	1
E1	SETASMB6501	SYNERGY STANDARD BACK,24"W,21"H,W/CUSHION,(24"W X 18"H)	1
F1	SETASMB6677	SYNERGY STANDARD BACK,24"W,22"H,W/CUSHION,(24"W X 18"H)	1
G1	SETASMB6520	SYNERGY STANDARD BACK,24"W,23"H,W/CUSHION,(24"W X 20"H)	1
H1	SETASMB6696	SYNERGY STANDARD BACK,24"W,24"H,W/CUSHION,(24"W X 20"H)	1
I1	SETASMB6539	SYNERGY STANDARD BACK,24"W,25"H,W/CUSHION,(24"W X 22"H)	1
J1	DWR1359E0290	SEAT BACK,24"W,14"H,SYNERGY STANDARD,E-1359-029	1
K1	DWR1359E0320	SEAT BACK,24"W,16"H,SYNERGY STANDARD,E-1359-032	1
L1	DWR1359E0340	SEAT BACK,24"W,18"H,SYNERGY STANDARD,E-1359-034	1
M1	DWR1359E0360	SEAT BACK,24"W,20"H,SYNERGY STANDARD,E-1359-036	1
N1	DWR1359E0450	SEAT BACK,24"W,22"H,SYNERGY STANDARD,E-1359-045	1
O1	CUSASMB2346	CUSHION,ASSY,24"W,14"H,SYNERGY STANDARD BACK,E-1359-083	1
P1	CUSASMB2357	CUSHION,ASSY,24"W,16"H,SYNERGY STANDARD BACK,E-1359-082	1
Q1	CUSASMB2376	CUSHION,ASSY,24"W,18"H,SYNERGY STANDARD BACK,E-1359-081	1
R1	CUSASMB2395	CUSHION,ASSY,24"W,20"H,SYNERGY STANDARD BACK,E-1359-079	1
S1	CUSASMB2414	CUSHION,ASSY,24"W,22"H,SYNERGY STANDARD BACK,E-1359-080	1
T1	SCRASBH1148	SCREW,BHSCS,BLACK ZINC,1/4-20 X 0.50",W/PATCH	4
U1	SCRASBH1210	SCREW, BUTTON HEAD, .250-20 X .75, ASTM F835, BZ, PVTP	4
V1	DWR1359B003	T-NUT,BLACK,1/4-20 X 0.563",0.50" TH,B-1359-003	4
W1	DWR1306C024	BACK PLATE BRACKET,T-SLOT,1",C-1306-024	4

7.1. Standard Back Assy's

\*\*\* Only sizes listed are available for replacement. All other sizes have been discontinued. \*\*\*





# Standard Back - 25" Width, Bariatric Tilt

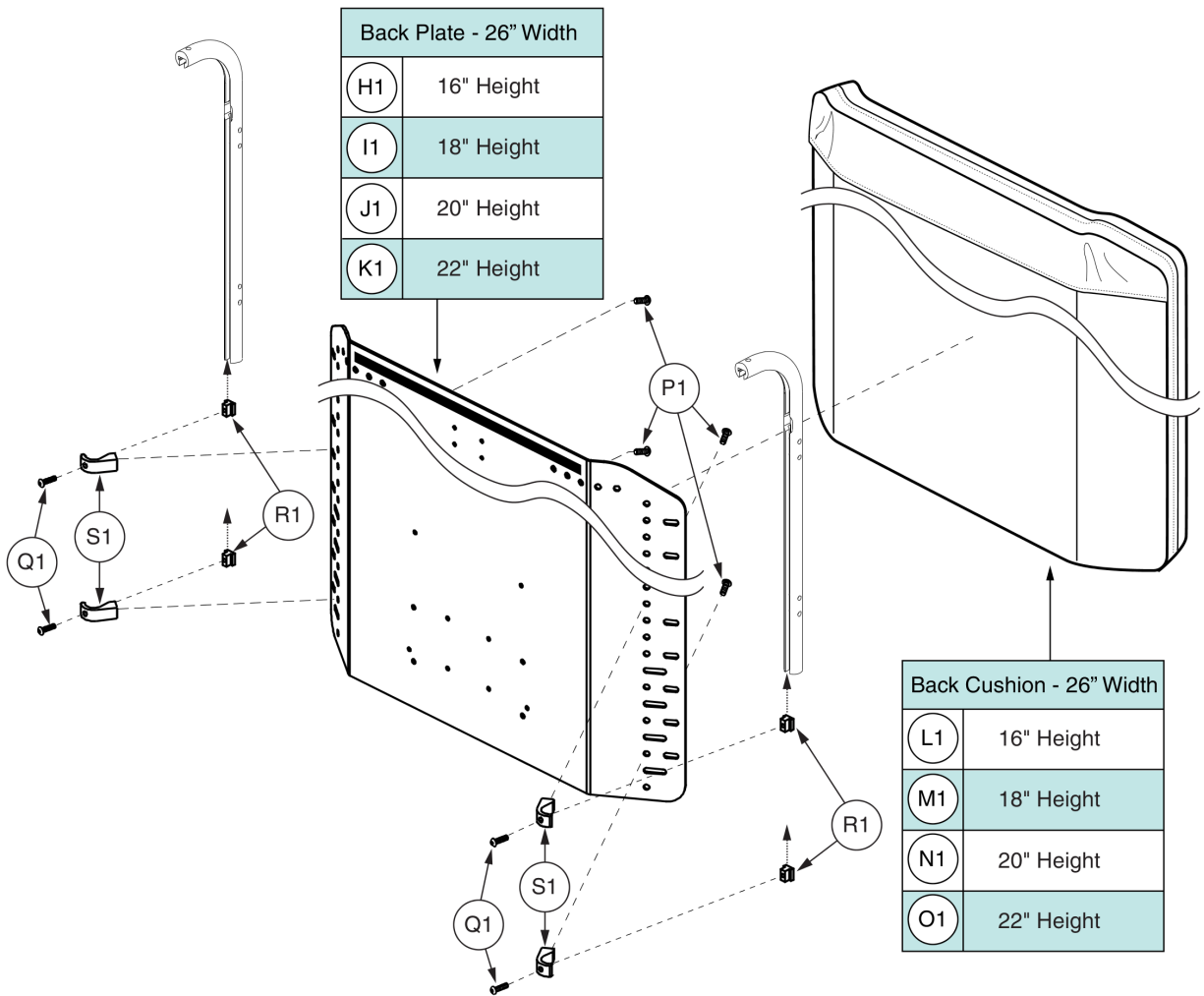


Item	Part No.	Name	Qty
A1	SETASMB6502	SYNERGY STANDARD BACK,25"W,21"H,W/CUSHION,(25"W X 18"H)	1
B1	SETASMB6678	SYNERGY STANDARD BACK,25"W,22"H,W/CUSHION,(25"W X 18"H)	1
C1	SETASMB6521	SYNERGY STANDARD BACK,25"W,23"H,W/CUSHION,(25"W X 20"H)	1
D1	SETASMB6697	SYNERGY STANDARD BACK,25"W,24"H,W/CUSHION,(25"W X 20"H)	1
E1	SETASMB6540	SYNERGY STANDARD BACK,25"W,25"H,W/CUSHION,(25"W X 22"H)	1
F1		SEAT BACK,25"W,16"H,SYNERGY STANDARD,E-1359-032	1
G1	DWR1359E034P	SEAT BACK,25"W,18"H,SYNERGY STANDARD,E-1359-034	1
H1	DWR1359E036P	SEAT BACK,25"W,20"H,SYNERGY STANDARD,E-1359-036	1
I1	DWR1359E045P	SEAT BACK,25"W,22"H,SYNERGY STANDARD,E-1359-045	1
J1	CUSASMB2377	CUSHION,ASSY,25"W,18"H,SYNERGY STANDARD BACK,E-1359-081	1
K1	CUSASMB2396	CUSHION,ASSY,25"W,20"H,SYNERGY STANDARD BACK,E-1359-079	1
L1	CUSASMB2415	CUSHION,ASSY,25"W,22"H,SYNERGY STANDARD BACK,E-1359-080	1
M1	SCRASBH1148	SCREW,BHSCS,BLACK ZINC,1/4-20 X 0.50",W/PATCH	4
N1	SCRASBH1210	SCREW, BUTTON HEAD, .250-20 X .75, ASTM F835, BZ, PVTP	4
O1	DWR1359B003	T-NUT,BLACK,1/4-20 X 0.563",0.50" TH,B-1359-003	4
P1	DWR1306C024	BACK PLATE BRACKET,T-SLOT,1",C-1306-024	4

7.1. Standard Back Assy's

The complete Synergy Standard Back Assy's include the Seat Back, Cushion and mounting hardware (P1-S1).

Ref #	Includes:
A1	Seat Back (H1) and Cushion (L1)
B1	Seat Back (H1) and Cushion (L1)
C1	Seat Back (I1) and Cushion (M1)
D1	Seat Back (I1) and Cushion (M1)
E1	Seat Back (J1) and Cushion (N1)
F1	Seat Back (J1) and Cushion (N1)
G1	Seat Back (K1) and Cushion (O1)



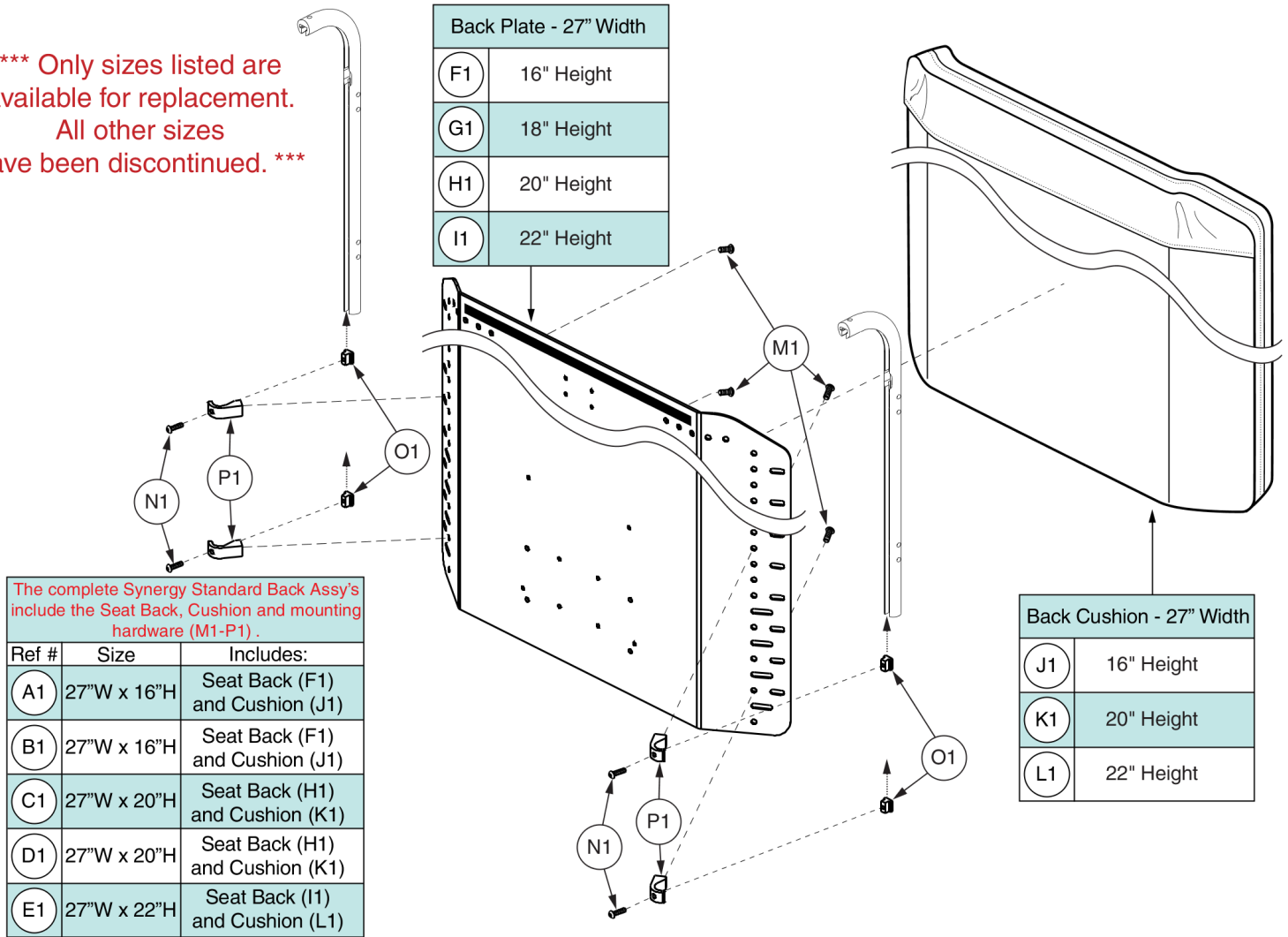
# Standard Back - 26" Width, Bariatric Tilt



Item	Part No.	Name	Qty
A1	SETASMB6484	SYNERGY STANDARD BACK,26"W,19"H,W/CUSHION,(26"W X 16"H)	1
B1	SETASMB6660	SYNERGY STANDARD BACK,26"W,20"H,W/CUSHION,(26"W X 16"H)	1
C1	SETASMB6503	SYNERGY STANDARD BACK,26"W,21"H,W/CUSHION,(26"W X 18"H)	1
D1	SETASMB6679	SYNERGY STANDARD BACK,26"W,22"H,W/CUSHION,(26"W X 18"H)	1
E1	SETASMB6522	SYNERGY STANDARD BACK,26"W,23"H,W/CUSHION,(26"W X 20"H)	1
F1	SETASMB6698	SYNERGY STANDARD BACK,26"W,24"H,W/CUSHION,(26"W X 20"H)	1
G1	SETASMB6541	SYNERGY STANDARD BACK,26"W,25"H,W/CUSHION,(26"W X 22"H)	1
H1	DWR1359E032Q	SEAT BACK,26"W,16"H,SYNERGY STANDARD,E-1359-032	1
I1	DWR1359E034Q	SEAT BACK,26"W,18"H,SYNERGY STANDARD,E-1359-034	1
J1	DWR1359E036Q	SEAT BACK,26"W,20"H,SYNERGY STANDARD,E-1359-036	1
K1	DWR1359E045Q	SEAT BACK,26"W,22"H,SYNERGY STANDARD,E-1359-045	1
L1	CUSASMB2359	CUSHION,ASSY,26"W,16"H,SYNERGY STANDARD BACK,E-1359-082	1
M1	CUSASMB2378	CUSHION,ASSY,26"W,18"H,SYNERGY STANDARD BACK,E-1359-081	1
N1	CUSASMB2397	CUSHION,ASSY,26"W,20"H,SYNERGY STANDARD BACK,E-1359-079	1
O1	CUSASMB2416	CUSHION,ASSY,26"W,22"H,SYNERGY STANDARD BACK,E-1359-080	1
P1	SCRASBH1148	SCREW,BHSCS,BLACK ZINC,1/4-20 X 0.50",W/PATCH	4
Q1	SCRASBH1210	SCREW, BUTTON HEAD, .250-20 X .75, ASTM F835, BZ, PVTP	4
R1	DWR1359B003	T-NUT,BLACK,1/4-20 X 0.563",0.50" TH,B-1359-003	4
S1	DWR1306C024	BACK PLATE BRACKET,T-SLOT,1",C-1306-024	4

7.1. Standard Back Assy's

\*\*\* Only sizes listed are available for replacement. All other sizes have been discontinued. \*\*\*

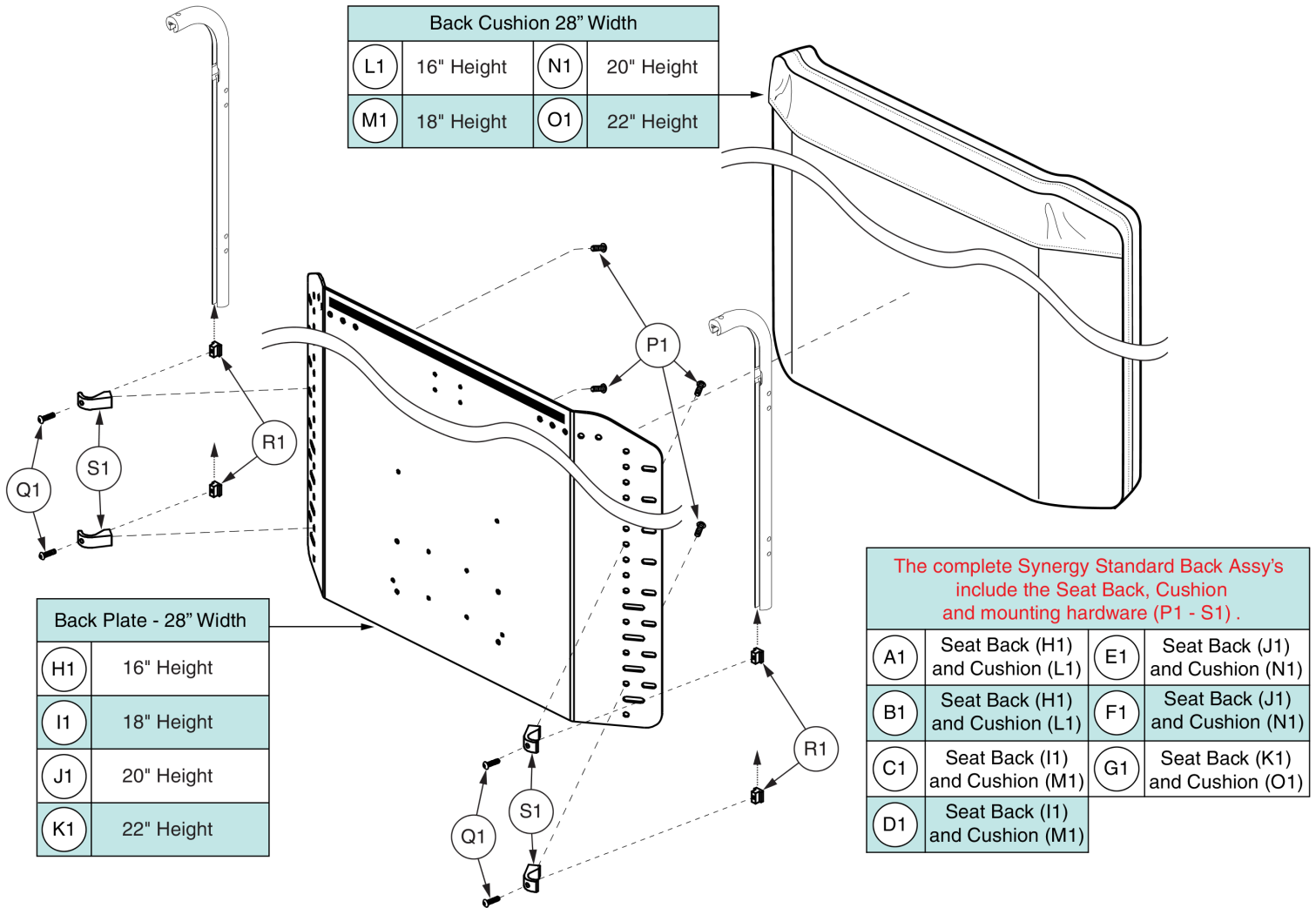


# Standard Back - 27" Width, Bariatric Tilt



Item	Part No.	Name	Qty
A1	SETASMB6485	SYNERGY STANDARD BACK,27"W,19"H,W/CUSHION,(27"W X 16"H)	1
B1	SETASMB6661	SYNERGY STANDARD BACK,27"W,20"H,W/CUSHION,(27"W X 16"H)	1
C1	SETASMB6523	SYNERGY STANDARD BACK,27"W,23"H,W/CUSHION,(27"W X 20"H)	1
D1	SETASMB6699	SYNERGY STANDARD BACK,27"W,24"H,W/CUSHION,(27"W X 20"H)	1
E1	SETASMB6542	SYNERGY STANDARD BACK,27"W,25"H,W/CUSHION,(27"W X 22"H)	1
F1	DWR1359E032R	SEAT BACK,27"W,16"H,SYNERGY STANDARD,E-1359-032	1
G1		SEAT BACK,27"W,18"H,SYNERGY STANDARD,E-1359-034	1
H1	DWR1359E036R	SEAT BACK,27"W,20"H,SYNERGY STANDARD,E-1359-036	1
I1	DWR1359E045R	SEAT BACK,27"W,22"H,SYNERGY STANDARD,E-1359-045	1
J1	CUSASMB2360	CUSHION,ASSY,27"W,16"H,SYNERGY STANDARD BACK,E-1359-082	1
K1	CUSASMB2398	CUSHION,ASSY,27"W,20"H,SYNERGY STANDARD BACK,E-1359-079	1
L1	CUSASMB2417	CUSHION,ASSY,27"W,22"H,SYNERGY STANDARD BACK,E-1359-080	1
M1	SCRASBH1148	SCREW,BHSCS,BLACK ZINC,1/4-20 X 0.50",W/PATCH	4
N1	SCRASBH1210	SCREW, BUTTON HEAD, .250-20 X .75, ASTM F835, BZ, PVTP	4
O1	DWR1359B003	T-NUT,BLACK,1/4-20 X 0.563",0.50" TH,B-1359-003	4
P1	DWR1306C024	BACK PLATE BRACKET,T-SLOT,1",C-1306-024	4

7.1. Standard Back Assy's



# Standard Back - 28" Width, Bariatric Tilt



Item	Part No.	Name	Qty
A1	SETASMB6486	SYNERGY STANDARD BACK,28"W,19"H,W/CUSHION,(28"W X 16"H)	1
B1	SETASMB6662	SYNERGY STANDARD BACK,28"W,20"H,W/CUSHION,(28"W X 16"H)	1
C1	SETASMB6505	SYNERGY STANDARD BACK,28"W,21"H,W/CUSHION,(28"W X 18"H)	1
D1	SETASMB6681	SYNERGY STANDARD BACK,28"W,22"H,W/CUSHION,(28"W X 18"H)	1
E1	SETASMB6524	SYNERGY STANDARD BACK,28"W,23"H,W/CUSHION,(28"W X 20"H)	1
F1	SETASMB6700	SYNERGY STANDARD BACK,28"W,24"H,W/CUSHION,(28"W X 20"H)	1
G1	SETASMB6543	SYNERGY STANDARD BACK,28"W,25"H,W/CUSHION,(28"W X 22"H)	1
H1	DWR1359E032S	SEAT BACK,28"W,16"H,SYNERGY STANDARD,E-1359-032	1
I1	DWR1359E034S	SEAT BACK,28"W,18"H,SYNERGY STANDARD,E-1359-034	1
J1	DWR1359E036S	SEAT BACK,28"W,20"H,SYNERGY STANDARD,E-1359-036	1
K1	DWR1359E045S	SEAT BACK,28"W,22"H,SYNERGY STANDARD,E-1359-045	1
L1	CUSASMB2361	CUSHION,ASSY,28"W,16"H,SYNERGY STANDARD BACK,E-1359-082	1
M1	CUSASMB2380	CUSHION,ASSY,28"W,18"H,SYNERGY STANDARD BACK,E-1359-081	1
N1	CUSASMB2399	CUSHION,ASSY,28"W,20"H,SYNERGY STANDARD BACK,E-1359-079	1
O1	CUSASMB2418	CUSHION,ASSY,28"W,22"H,SYNERGY STANDARD BACK,E-1359-080	1
P1	SCRASBH1148	SCREW,BHSCS,BLACK ZINC,1/4-20 X 0.50",W/PATCH	4
Q1	SCRASBH1210	SCREW, BUTTON HEAD, .250-20 X .75, ASTM F835, BZ, PVTP	4
R1	DWR1359B003	T-NUT,BLACK,1/4-20 X 0.563",0.50" TH,B-1359-003	4
S1	DWR1306C024	BACK PLATE BRACKET,T-SLOT,1",C-1306-024	4

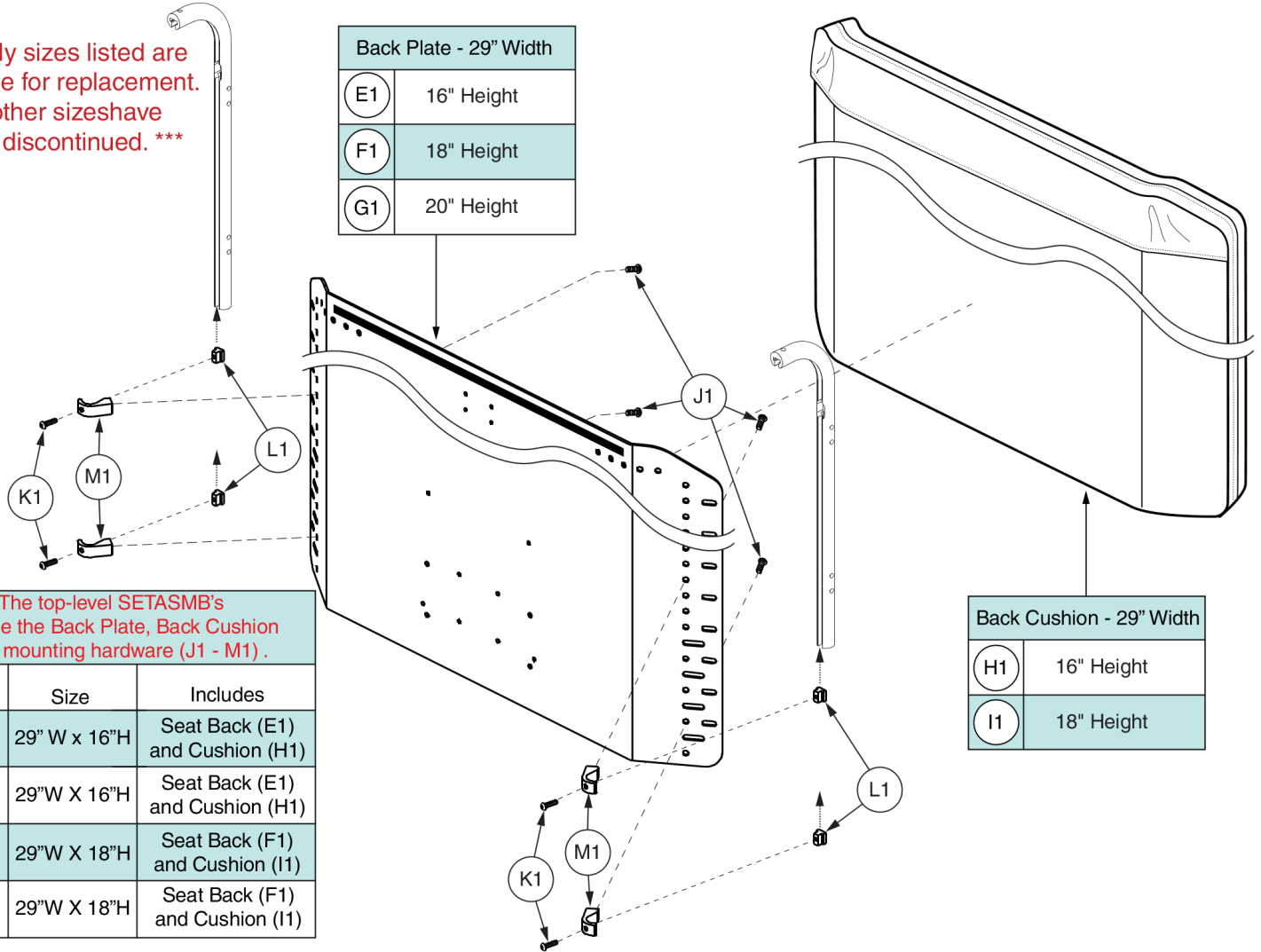
7.1. Standard Back Assy's

\*\*\* Only sizes listed are available for replacement. All other sizes have been discontinued. \*\*\*

Back Plate - 29" Width	
(E1)	16" Height
(F1)	18" Height
(G1)	20" Height

Back Cushion - 29" Width	
(H1)	16" Height
(I1)	18" Height

The top-level SETASMB's include the Back Plate, Back Cushion and mounting hardware (J1 - M1) .		
Top Level Ref #	Size	Includes
(A1)	29" W x 16"H	Seat Back (E1) and Cushion (H1)
(B1)	29"W X 16"H	Seat Back (E1) and Cushion (H1)
(C1)	29"W X 18"H	Seat Back (F1) and Cushion (I1)
(D1)	29"W X 18"H	Seat Back (F1) and Cushion (I1)



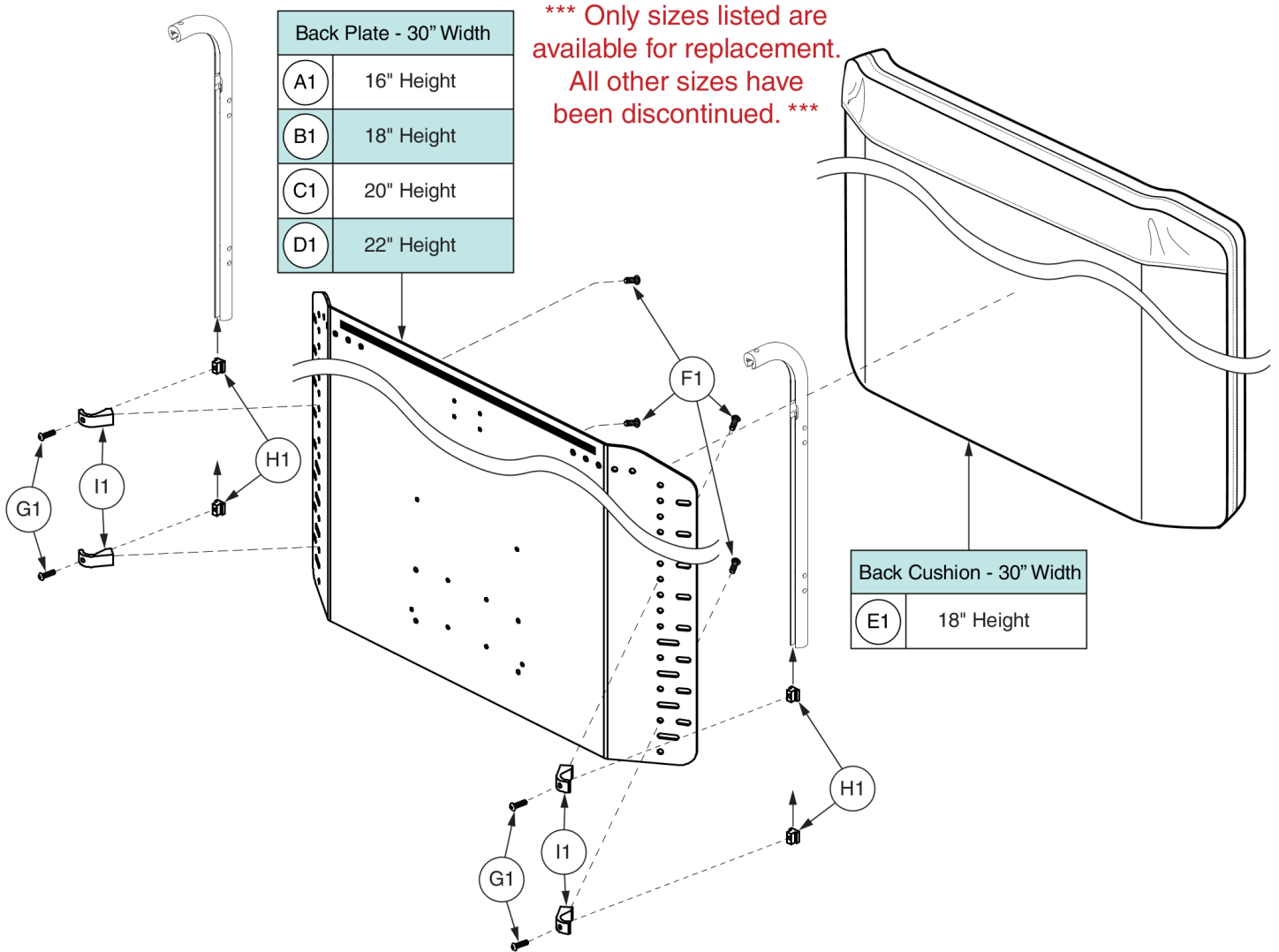


# Standard Back - 29" Width, Bariatric Tilt



Item	Part No.	Name	Qty
A1	SETASMB6487	SYNERGY STANDARD BACK,29"W,19"H,W/CUSHION,(29"W X 16"H)	1
B1	SETASMB6663	SYNERGY STANDARD BACK,29"W,20"H,W/CUSHION,(29"W X 16"H)	1
C1	SETASMB6506	SYNERGY STANDARD BACK,29"W,21"H,W/CUSHION,(29"W X 18"H)	1
D1	SETASMB6682	SYNERGY STANDARD BACK,29"W,22"H,W/CUSHION,(29"W X 18"H)	1
E1	DWR1359E032T	SEAT BACK,29"W,16"H,SYNERGY STANDARD,E-1359-032	1
F1	DWR1359E034T	SEAT BACK,29"W,18"H,SYNERGY STANDARD,E-1359-034	1
G1		SEAT BACK,29"W,20"H,SYNERGY STANDARD,E-1359-036	1
H1	CUSASMB2362	CUSHION,ASSY,29"W,16"H,SYNERGY STANDARD BACK,E-1359-082	1
I1	CUSASMB2381	CUSHION,ASSY,29"W,18"H,SYNERGY STANDARD BACK,E-1359-081	1
J1	SCRASBH1148	SCREW,BHSCS,BLACK ZINC,1/4-20 X 0.50",W/PATCH	4
K1	SCRASBH1210	SCREW, BUTTON HEAD, .250-20 X .75, ASTM F835, BZ, PVTP	4
L1	DWR1359B003	T-NUT,BLACK,1/4-20 X 0.563",0.50" TH,B-1359-003	4
M1	DWR1306C024	BACK PLATE BRACKET,T-SLOT,1",C-1306-024	4

7.1. Standard Back Assy's

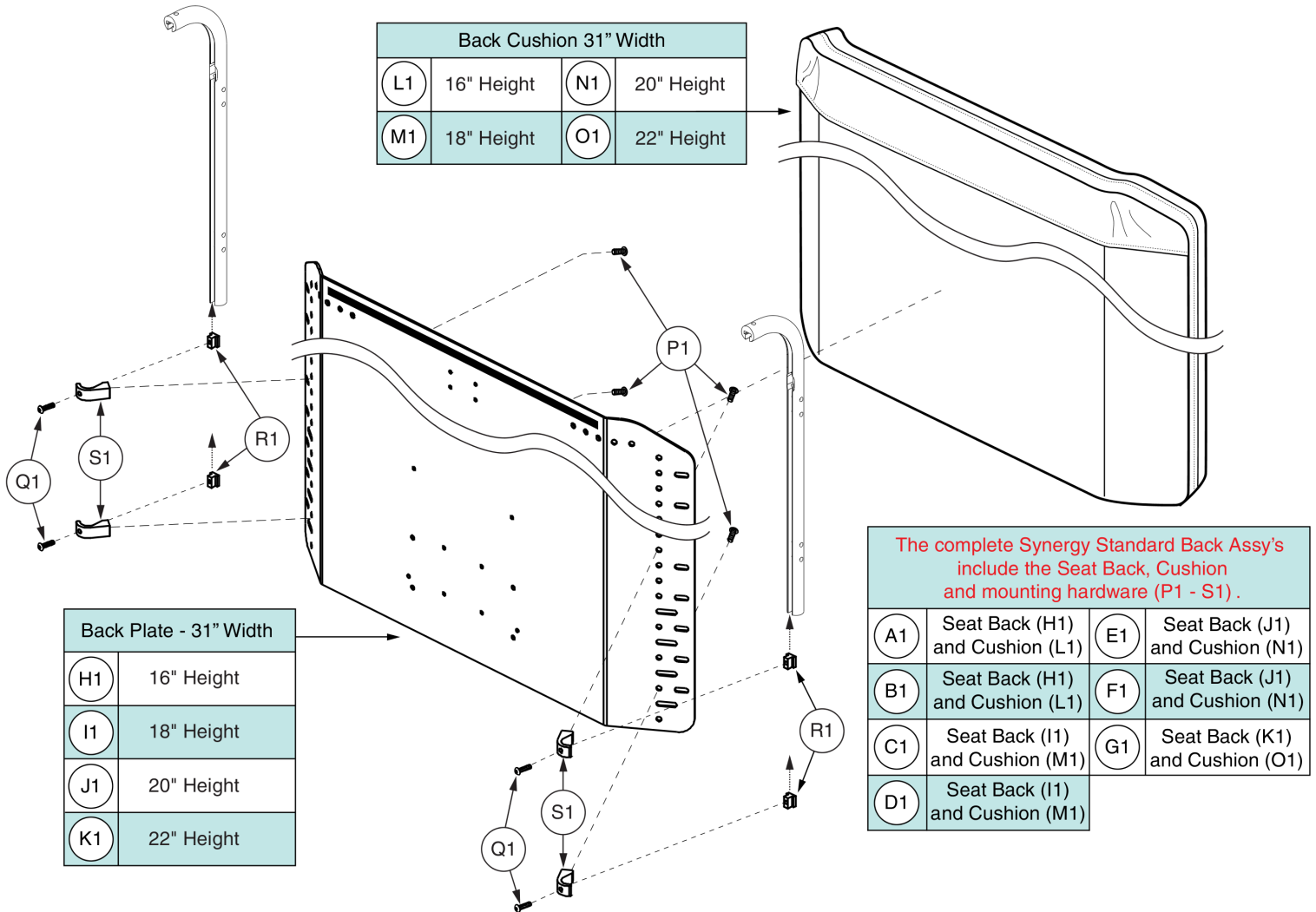


# Standard Back - 30" Width, Bariatric Tilt



Item	Part No.	Name	Qty
A1		SEAT BACK,30"W,16"H,SYNERGY STANDARD,E-1359-032	1
B1	DWR1359E034U	SEAT BACK,30"W,18"H,SYNERGY STANDARD,E-1359-034	1
C1		SEAT BACK,30"W,20"H,SYNERGY STANDARD,E-1359-036	1
D1		SEAT BACK,30"W,22"H,SYNERGY STANDARD,E-1359-045	1
E1	CUSASMB2382	CUSHION,ASSY,30"W,18"H,SYNERGY STANDARD BACK,E-1359-081	1
F1	SCRASBH1148	SCREW,BHSCS,BLACK ZINC,1/4-20 X 0.50",W/PATCH	4
G1	SCRASBH1210	SCREW, BUTTON HEAD, .250-20 X .75, ASTM F835, BZ, PVTP	4
H1	DWR1359B003	T-NUT,BLACK,1/4-20 X 0.563",0.50" TH,B-1359-003	4
I1	DWR1306C024	BACK PLATE BRACKET,T-SLOT,1",C-1306-024	4

7.1. Standard Back Assy's

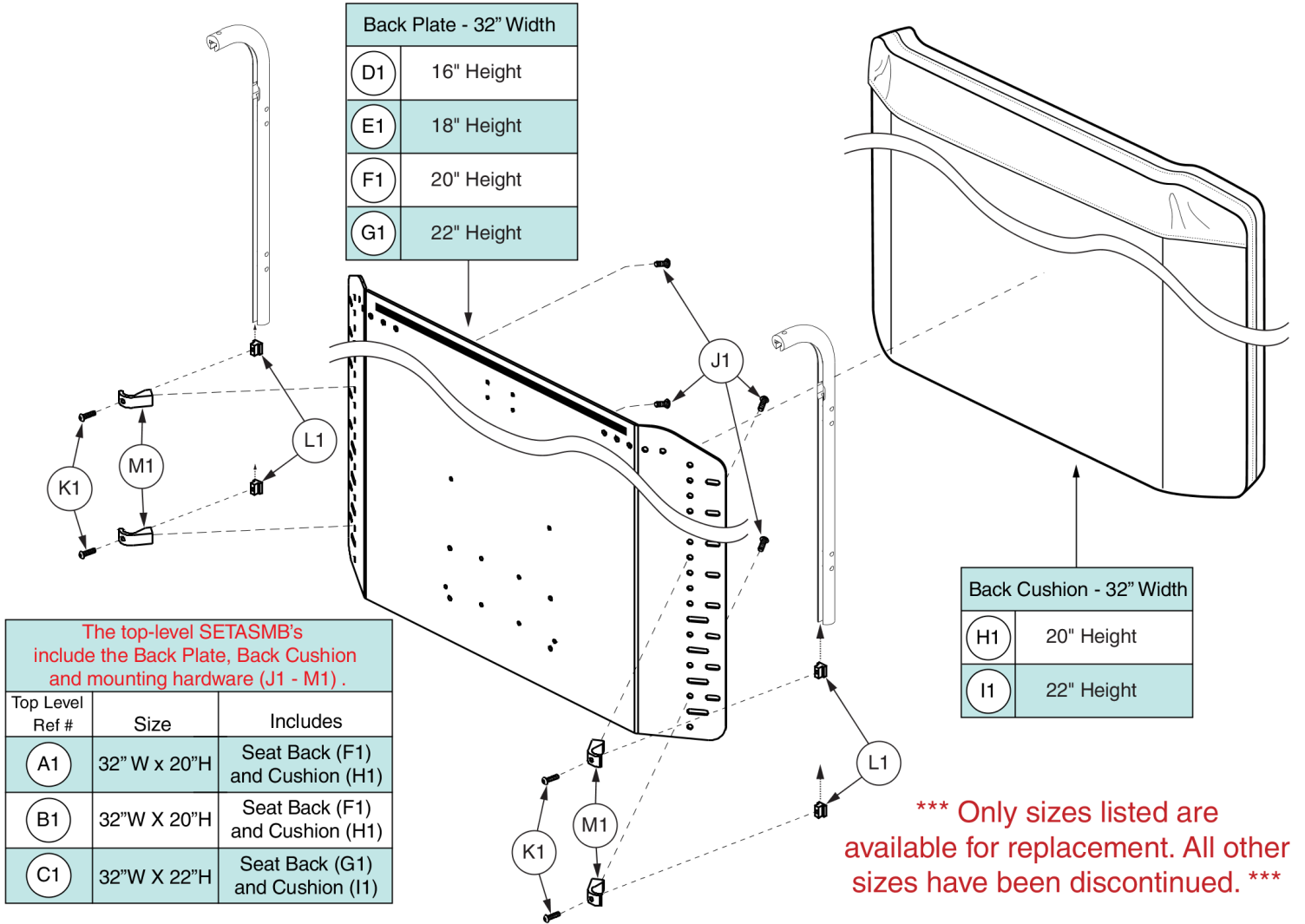


# Standard Back - 31" Width, Bariatric Tilt



Item	Part No.	Name	Qty
A1	SETASMB6489	SYNERGY STANDARD BACK,31"W,19"H,W/CUSHION,(31"W X 16"H)	1
B1	SETASMB6665	SYNERGY STANDARD BACK,31"W,20"H,W/CUSHION,(31"W X 16"H)	1
C1	SETASMB6508	SYNERGY STANDARD BACK,31"W,21"H,W/CUSHION,(31"W X 18"H)	1
D1	SETASMB6684	SYNERGY STANDARD BACK,31"W,22"H,W/CUSHION,(31"W X 18"H)	1
E1	SETASMB6527	SYNERGY STANDARD BACK,31"W,23"H,W/CUSHION,(31"W X 20"H)	1
F1	SETASMB6703	SYNERGY STANDARD BACK,31"W,24"H,W/CUSHION,(31"W X 20"H)	1
G1	SETASMB6546	SYNERGY STANDARD BACK,31"W,25"H,W/CUSHION,(31"W X 22"H)	1
H1	DWR1359E032V	SEAT BACK,31"W,16"H,SYNERGY STANDARD,E-1359-032	1
I1	DWR1359E034V	SEAT BACK,31"W,18"H,SYNERGY STANDARD,E-1359-034	1
J1	DWR1359E036V	SEAT BACK,31"W,20"H,SYNERGY STANDARD,E-1359-036	1
K1	DWR1359E045V	SEAT BACK,31"W,22"H,SYNERGY STANDARD,E-1359-045	1
L1	CUSASMB2364	CUSHION,ASSY,31"W,16"H,SYNERGY STANDARD BACK,E-1359-082	1
M1	CUSASMB2383	CUSHION,ASSY,31"W,18"H,SYNERGY STANDARD BACK,E-1359-081	1
N1	CUSASMB2402	CUSHION,ASSY,31"W,20"H,SYNERGY STANDARD BACK,E-1359-079	1
O1	CUSASMB2421	CUSHION,ASSY,31"W,22"H,SYNERGY STANDARD BACK,E-1359-080	1
P1	SCRASBH1148	SCREW,BHSCS,BLACK ZINC,1/4-20 X 0.50",W/PATCH	4
Q1	SCRASBH1210	SCREW, BUTTON HEAD, .250-20 X .75, ASTM F835, BZ, PVTP	4
R1	DWR1359B003	T-NUT,BLACK,1/4-20 X 0.563",0.50" TH,B-1359-003	4
S1	DWR1306C024	BACK PLATE BRACKET,T-SLOT,1",C-1306-024	4

7.1. Standard Back Assy's

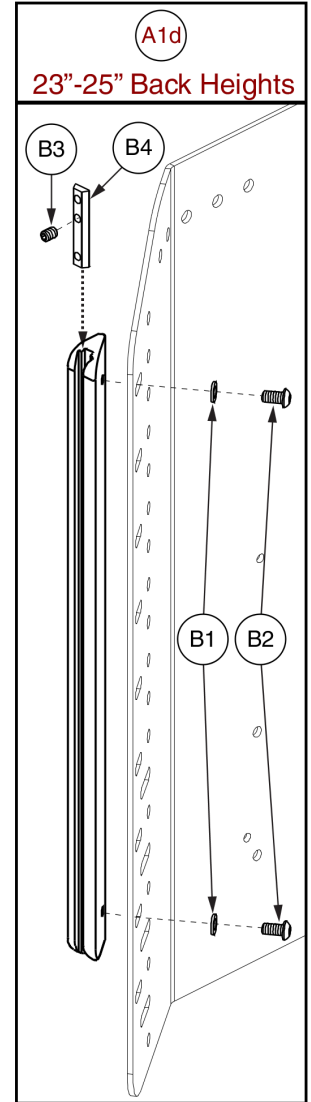
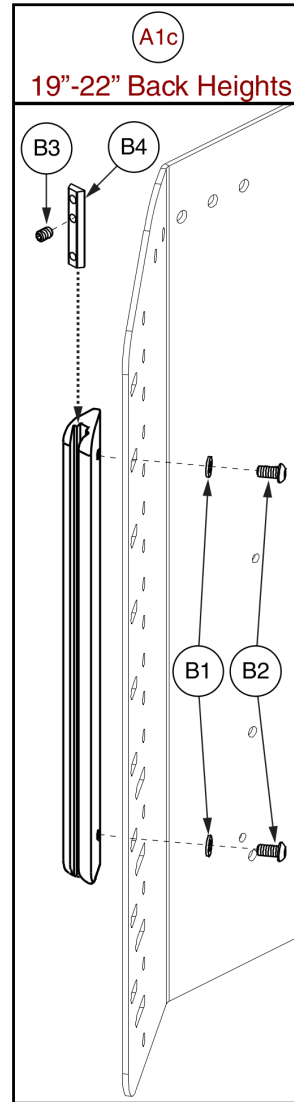
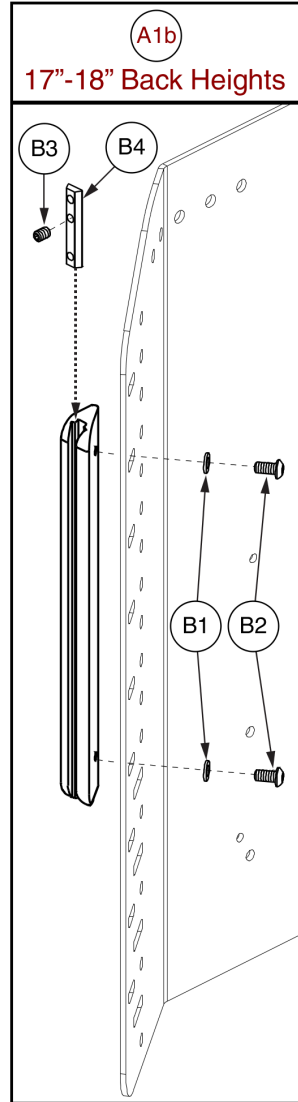
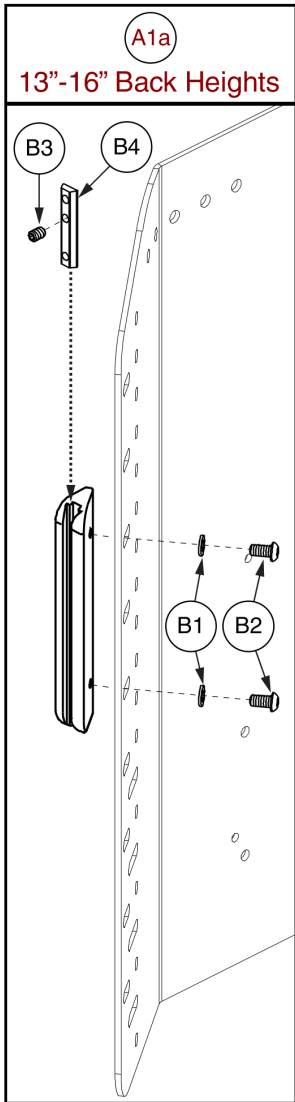


# Standard Back - 32" Width, Bariatric Tilt



Item	Part No.	Name	Qty
A1	SETASMB6528	SYNERGY STANDARD BACK,32"W,23"H,W/CUSHION,(32"W X 20"H)	1
B1	SETASMB6704	SYNERGY STANDARD BACK,32"W,24"H,W/CUSHION,(32"W X 20"H)	1
C1	SETASMB6547	SYNERGY STANDARD BACK,32"W,25"H,W/CUSHION,(32"W X 22"H)	1
D1		SEAT BACK,32"W,16"H,SYNERGY STANDARD,E-1359-032	1
E1		SEAT BACK,32"W,18"H,SYNERGY STANDARD,E-1359-034	1
F1	DWR1359E036W	SEAT BACK,32"W,20"H,SYNERGY STANDARD,E-1359-036	1
G1	DWR1359E045W	SEAT BACK,32"W,22"H,SYNERGY STANDARD,E-1359-045	1
H1	CUSASMB2403	CUSHION,ASSY,32"W,20"H,SYNERGY STANDARD BACK,E-1359-079	1
I1	CUSASMB2422	CUSHION,ASSY,32"W,22"H,SYNERGY STANDARD BACK,E-1359-080	1
J1	SCRASBH1148	SCREW,BHSCS,BLACK ZINC,1/4-20 X 0.50",W/PATCH	4
K1	SCRASBH1210	SCREW, BUTTON HEAD, .250-20 X .75, ASTM F835, BZ, PVTP	4
L1	DWR1359B003	T-NUT,BLACK,1/4-20 X 0.563",0.50" TH,B-1359-003	4
M1	DWR1306C024	BACK PLATE BRACKET,T-SLOT,1",C-1306-024	4

7.1. Standard Back Assy's



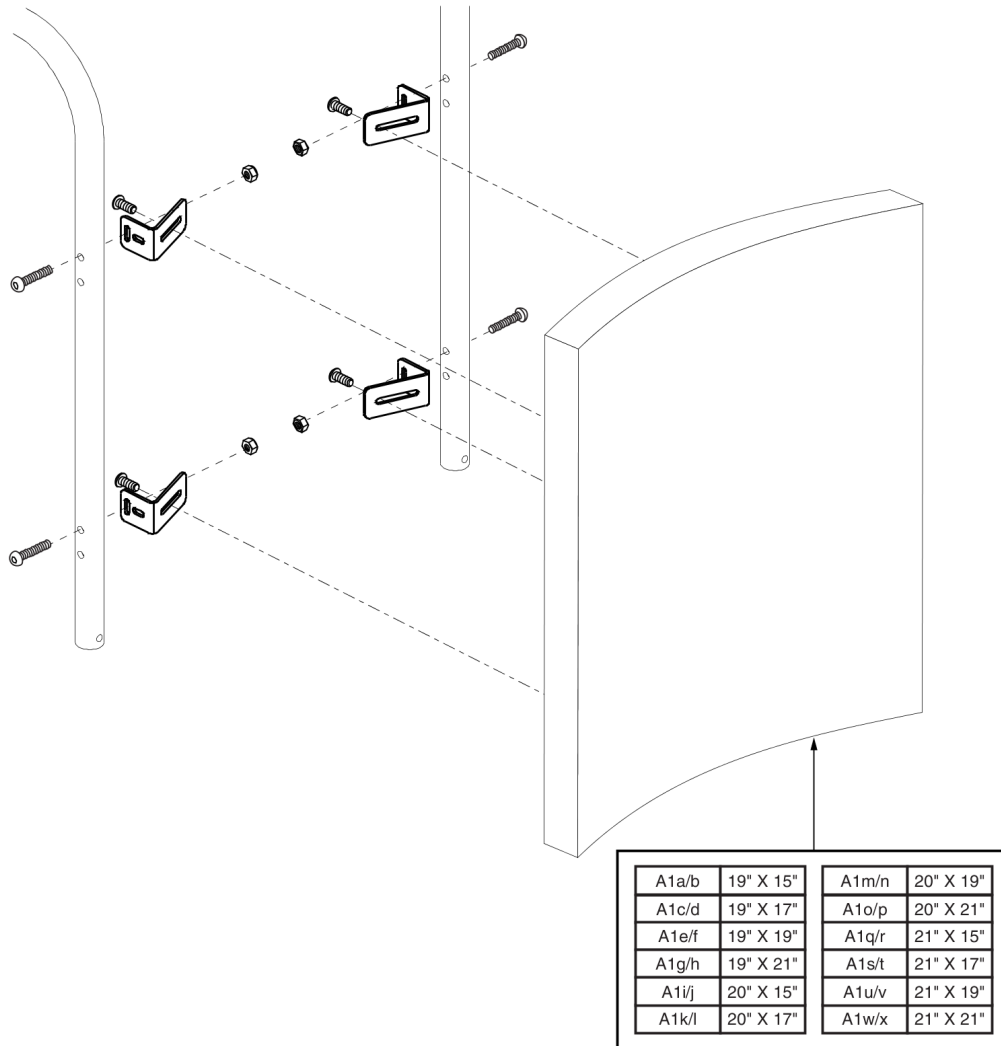
\*\*\*The track and the mounting hardware is included with the top-level assemblies.\*\*\*



Item	Part No.	Name	Qty
A1a	FRMASMB16274	LATERAL EXTENSION,ASSY,6",SYNERGY STANDARD BACK	1
A1b	FRMASMB16280	LATERAL EXTENSION,ASSY,10",SYNERGY STANDARD BACK	1
A1c	FRMASMB16298	LATERAL EXTENSION,ASSY,12",SYNERGY STANDARD BACK	1
A1d	FRMASMB16281	LATERAL EXTENSION,ASSY,16",SYNERGY STANDARD BACK	1
B1	WASSTND1097	WASHER, FLAT, 6.4 ID X 12 OD X 1.6 THK, ISO 7089-6-200 HV, BZ	2
B2	SCRASBH1148	SCREW,BHSCS,BLACK ZINC,1/4-20 X 0.50",W/PATCH	2
B3	SCRSETS1087	SCREW,SET,BLACK ZINC,1/4-20 X 0.375",CUP POINT,W/PATCH	1
B4		LATERAL EXTENSION,SLIDER INSERT,C-1359-015	1

7.2. A.R.T. Group Solid Curved Back Assy's (Discontinued)

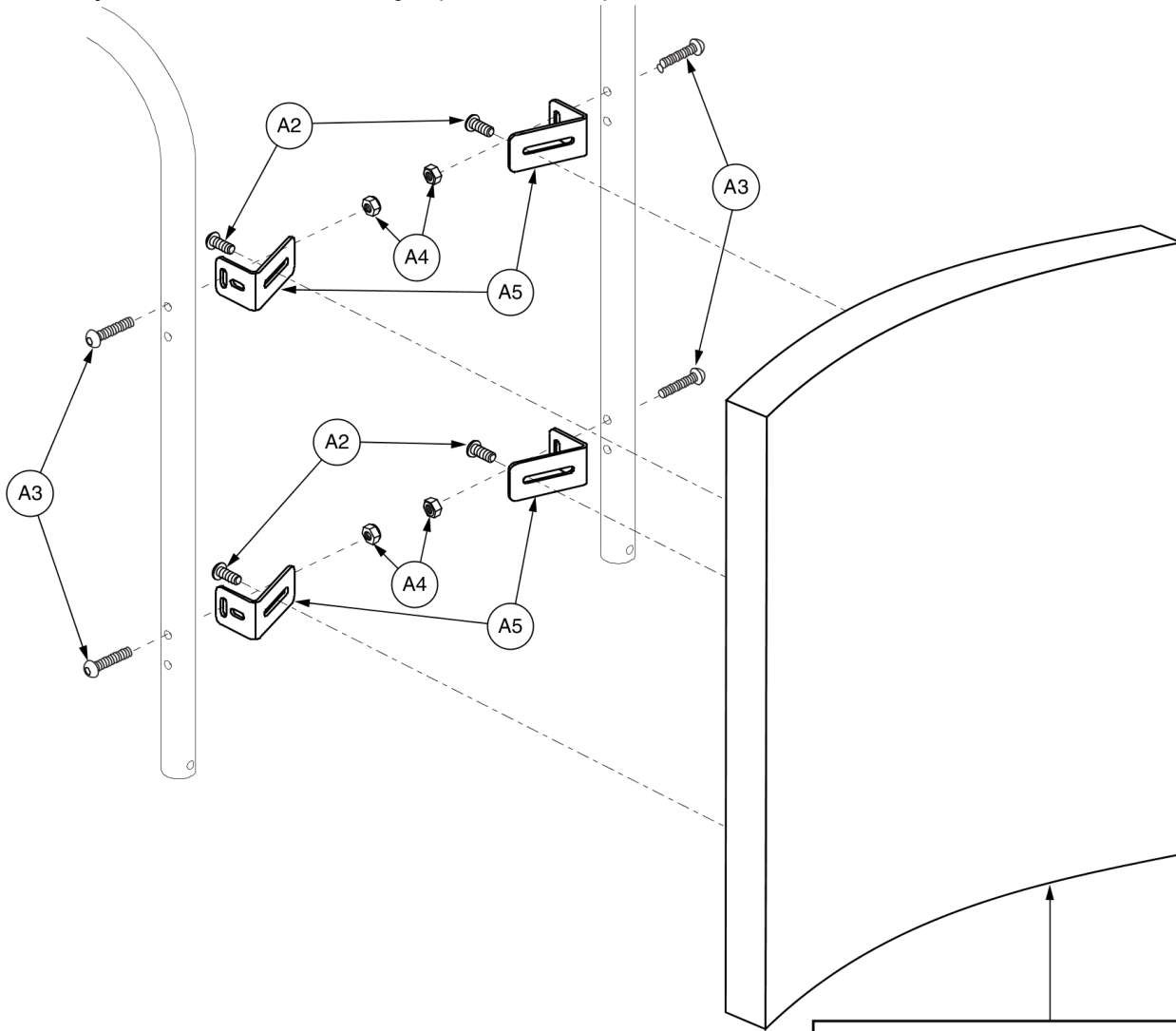
\*\*\* Available only through SOF, please contact Technical Service. \*\*\*



A1a — A5	19" x 18"	A1g — A5	19" x 24"	A1m — A5	20" x 22"	A1s — A5	21" x 20"
A1b — A5	19" x 19"	A1h — A5	19" x 25"	A1n — A5	20" x 23"	A1t — A5	21" x 21"
A1c — A5	19" x 20"	A1i — A5	20" x 18"	A1o — A5	20" x 24"	A1u — A5	21" x 22"
A1d — A5	19" x 21"	A1j — A5	20" x 19"	A1p — A5	20" x 25"	A1v — A5	21" x 23"
A1e — A5	19" x 22"	A1k — A5	20" x 20"	A1q — A5	21" x 18"	A1w — A5	21" x 24"
A1f — A5	19" x 23"	A1l — A5	20" x 21"	A1r — A5	21" x 19"	A1x — A5	21" x 25"

This page intentionally left blank

7.2. A.R.T. Group Solid Curved Back Assy's (Discontinued)



A1a/b	22" X 15"	A1m/n	23" X 19"
A1c/d	22" X 17"	A1o/p	23" X 21"
A1e/f	22" X 19"	A1q/r	24" X 15"
A1g/h	22" X 21"	A1s/t	24" X 17"
A1i/j	23" X 15"	A1u/v	24" X 19"
A1k/l	23" X 17"	A1w/x	24" X 21"

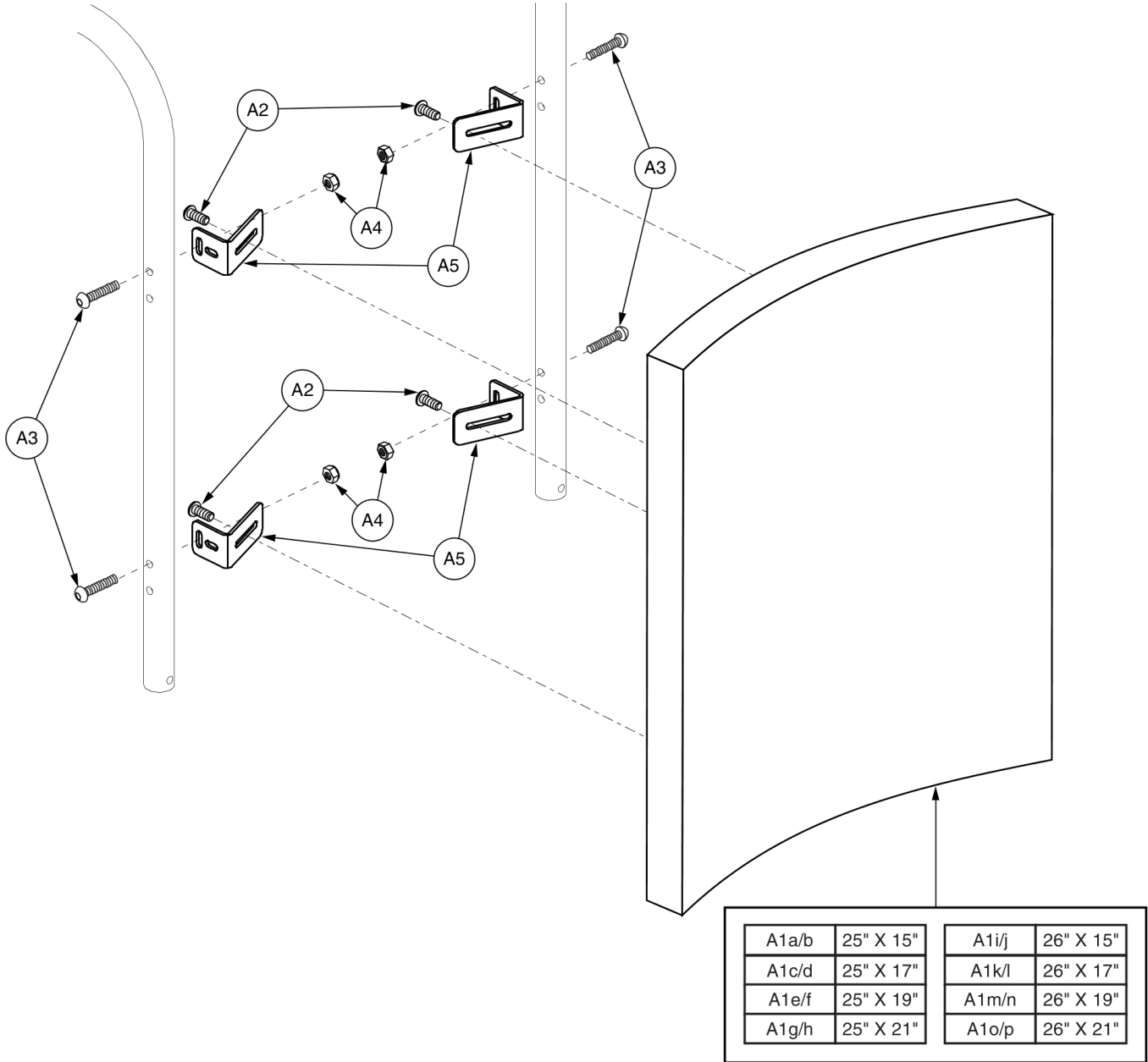
A1a — A5	22" x 18"	A1g — A5	22" x 24"	A1m — A5	23" x 22"	A1s — A5	24" x 20"
A1b — A5	22" x 19"	A1h — A5	22" x 25"	A1n — A5	23" x 23"	A1t — A5	24" x 21"
A1c — A5	22" x 20"	A1i — A5	23" x 18"	A1o — A5	23" x 24"	A1u — A5	24" x 22"
A1d — A5	22" x 21"	A1j — A5	23" x 19"	A1p — A5	23" x 25"	A1v — A5	24" x 23"
A1e — A5	22" x 22"	A1k — A5	23" x 20"	A1q — A5	24" x 18"	A1w — A5	24" x 24"
A1f — A5	22" x 23"	A1l — A5	23" x 21"	A1r — A5	24" x 19"	A1x — A5	24" x 25"

# Solid Curved Back, 22"-24" Width



Item	Part No.	Name	Qty
A1p - A5		SEAT BACK,ASSY,A.R.T SOLID BACK,23"W,25"H,(23"W X 21"H)	1
A1q - A5		SEAT BACK,ASSY,A.R.T SOLID BACK,24"W,18"H,(24"W X 15"H)	1
A1r - A5		SEAT BACK,ASSY,A.R.T SOLID BACK,24"W,19"H,(24"W X 15"H)	1
A1s - A5		SEAT BACK,ASSY,A.R.T SOLID BACK,24"W,20"H,(24"W X 17"H)	1
A1t - A5		SEAT BACK,ASSY,A.R.T SOLID BACK,24"W,21"H,(24"W X 17"H)	1
A1u - A5		SEAT BACK,ASSY,A.R.T SOLID BACK,24"W,22"H,(24"W X 19"H)	1
A1v - A5		SEAT BACK,ASSY,A.R.T SOLID BACK,24"W,23"H,(24"W X 19"H)	1
A1w - A5		SEAT BACK,ASSY,A.R.T SOLID BACK,24"W,24"H,(24"W X 21"H)	1
A1x - A5		SEAT BACK,ASSY,A.R.T SOLID BACK,24"W,25"H,(24"W X 21"H)	1
A1a/b		SEAT BACK,SOLID BACK INSERT,22"W,15"H	1
A1c/d		SEAT BACK,SOLID BACK INSERT,22"W,17"H	1
A1e/f		SEAT BACK,SOLID BACK INSERT,22"W,19"H	1
A1g/h	SETBACK1672	SEAT BACK,SOLID BACK INSERT,22"W,21"H	1
A1i/j		SEAT BACK,SOLID BACK INSERT,23"W,15"H	1
A1k/l		SEAT BACK,SOLID BACK INSERT,23"W,17"H	1
A1m/n		SEAT BACK,SOLID BACK INSERT,23"W,19"H	1
A1o/p		SEAT BACK,SOLID BACK INSERT,23"W,21"H	1
A1q/r		SEAT BACK,SOLID BACK INSERT,24"W,15"H	1
A1s/t		SEAT BACK,SOLID BACK INSERT,24"W,17"H	1
A1u/v		SEAT BACK,SOLID BACK INSERT,24"W,19"H	1
A1w/x		SEAT BACK,SOLID BACK INSERT,24"W,21"H	1
A2	SCRASBH1018	SCREW,BHSCS,BLACK ZINC,1/4-20 X 0.625",GRADE 8	4
A3	SCRASBH1007	SCREW,BHSCS,BLACK ZINC,1/4-20 X 1.50",GRADE 8	4
A4	NUTNYLK1014	NUT,NYLOCK,BLACK ZINC,1/4-20	4
A5		MOUNTING BRACKET,AES BACK HD MOUNTING,TEXTURED,B-1000-224	4

7.2. A.R.T. Group Solid Curved Back Assy's (Discontinued)



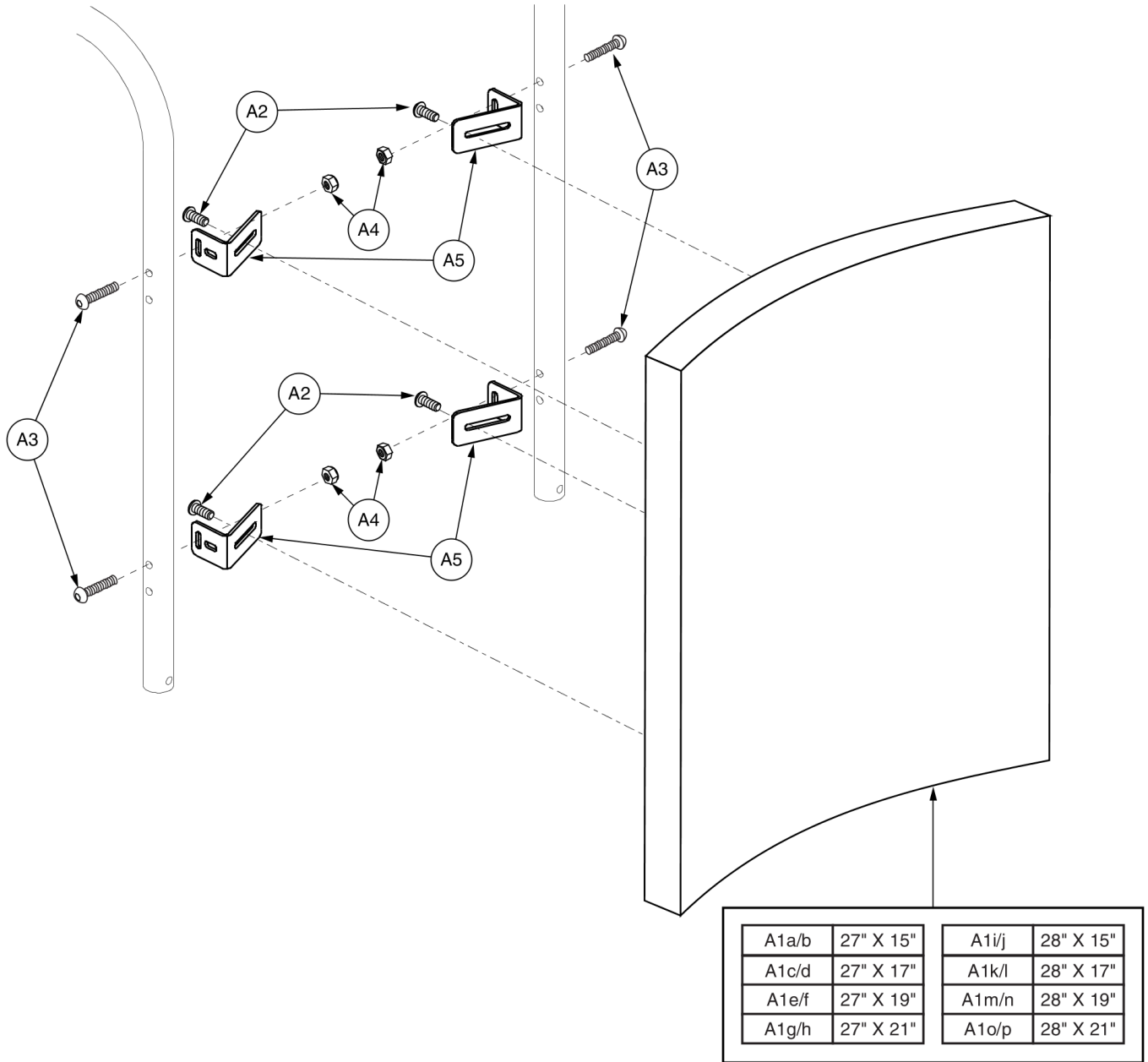
A1a - A5	25" x 18"	A1e - A5	25" x 22"	A1i - A5	26" x 18"	A1m - A5	26" x 22"
A1b - A5	25" x 19"	A1f - A5	25" x 23"	A1j - A5	26" x 19"	A1n - A5	26" x 23"
A1c - A5	25" x 20"	A1g - A5	25" x 24"	A1k - A5	26" x 20"	A1o - A5	26" x 24"
A1d - A5	25" x 21"	A1h - A5	25" x 25"	A1l - A5	26" x 21"	A1p - A5	26" x 25"

# Solid Curved Back, HD, 25"-26" Width



Item	Part No.	Name	Qty
A1a - A5		SEAT BACK,ASSY,A.R.T SOLID BACK,25"W,18"H,(25"W X 15"H)	1
A1b - A5		SEAT BACK,ASSY,A.R.T SOLID BACK,25"W,19"H,(25"W X 15"H)	1
A1c - A5		SEAT BACK,ASSY,A.R.T SOLID BACK,25"W,20"H,(25"W X 17"H)	1
A1d - A5		SEAT BACK,ASSY,A.R.T SOLID BACK,25"W,21"H,(25"W X 17"H)	1
A1e - A5		SEAT BACK,ASSY,A.R.T SOLID BACK,25"W,22"H,(25"W X 19"H)	1
A1f - A5		SEAT BACK,ASSY,A.R.T SOLID BACK,25"W,23"H,(25"W X 19"H)	1
A1g - A5		SEAT BACK,ASSY,A.R.T SOLID BACK,25"W,24"H,(25"W X 21"H)	1
A1h - A5		SEAT BACK,ASSY,A.R.T SOLID BACK,25"W,25"H,(25"W X 21"H)	1
A1i - A5		SEAT BACK,ASSY,A.R.T SOLID BACK,26"W,18"H,(26"W X 15"H)	1
A1j - A5		SEAT BACK,ASSY,A.R.T SOLID BACK,26"W,19"H,(26"W X 15"H)	1
A1k - A5		SEAT BACK,ASSY,A.R.T SOLID BACK,26"W,20"H,(26"W X 17"H)	1
A1l - A5		SEAT BACK,ASSY,A.R.T SOLID BACK,26"W,21"H,(26"W X 17"H)	1
A1m - A5		SEAT BACK,ASSY,A.R.T SOLID BACK,26"W,22"H,(26"W X 19"H)	1
A1n - A5		SEAT BACK,ASSY,A.R.T SOLID BACK,26"W,23"H,(26"W X 19"H)	1
A1o - A5		SEAT BACK,ASSY,A.R.T SOLID BACK,26"W,24"H,(26"W X 21"H)	1
A1p - A5		SEAT BACK,ASSY,A.R.T SOLID BACK,26"W,25"H,(26"W X 21"H)	1
A1a/b		SEAT BACK,SOLID BACK INSERT,25"W,15"H	1
A1c/d		SEAT BACK,SOLID BACK INSERT,25"W,17"H	1
A1e/f		SEAT BACK,SOLID BACK INSERT,25"W,19"H	1
A1g/h		SEAT BACK,SOLID BACK INSERT,25"W,21"H	1
A1i/j		SEAT BACK,SOLID BACK INSERT,26"W,15"H	1
A1k/l		SEAT BACK,SOLID BACK INSERT,26"W,17"H	1
A1m/n		SEAT BACK,SOLID BACK INSERT,26"W,19"H	1
A1o/p		SEAT BACK,SOLID BACK INSERT,26"W,21"H	1
A2	SCRASBH1018	SCREW,BHSCS,BLACK ZINC,1/4-20 X 0.625",GRADE 8	4
A3	SCRASBH1007	SCREW,BHSCS,BLACK ZINC,1/4-20 X 1.50",GRADE 8	4
A4	NUTNYLK1014	NUT,NYLOCK,BLACK ZINC,1/4-20	4
A5		MOUNTING BRACKET,AES BACK HD MOUNTING,TEXTURED,B-1000-224	4

7.2. A.R.T. Group Solid Curved Back Assy's (Discontinued)



A1a — A5	27" x 18"	A1e — A5	27" x 22"	A1i — A5	28" x 18"	A1m — A5	28" x 22"
A1b — A5	27" x 19"	A1f — A5	27" x 23"	A1j — A5	28" x 19"	A1n — A5	28" x 23"
A1c — A5	27" x 20"	A1g — A5	27" x 24"	A1k — A5	28" x 20"	A1o — A5	28" x 24"
A1d — A5	27" x 21"	A1h — A5	27" x 25"	A1l — A5	28" x 21"	A1p — A5	28" x 25"

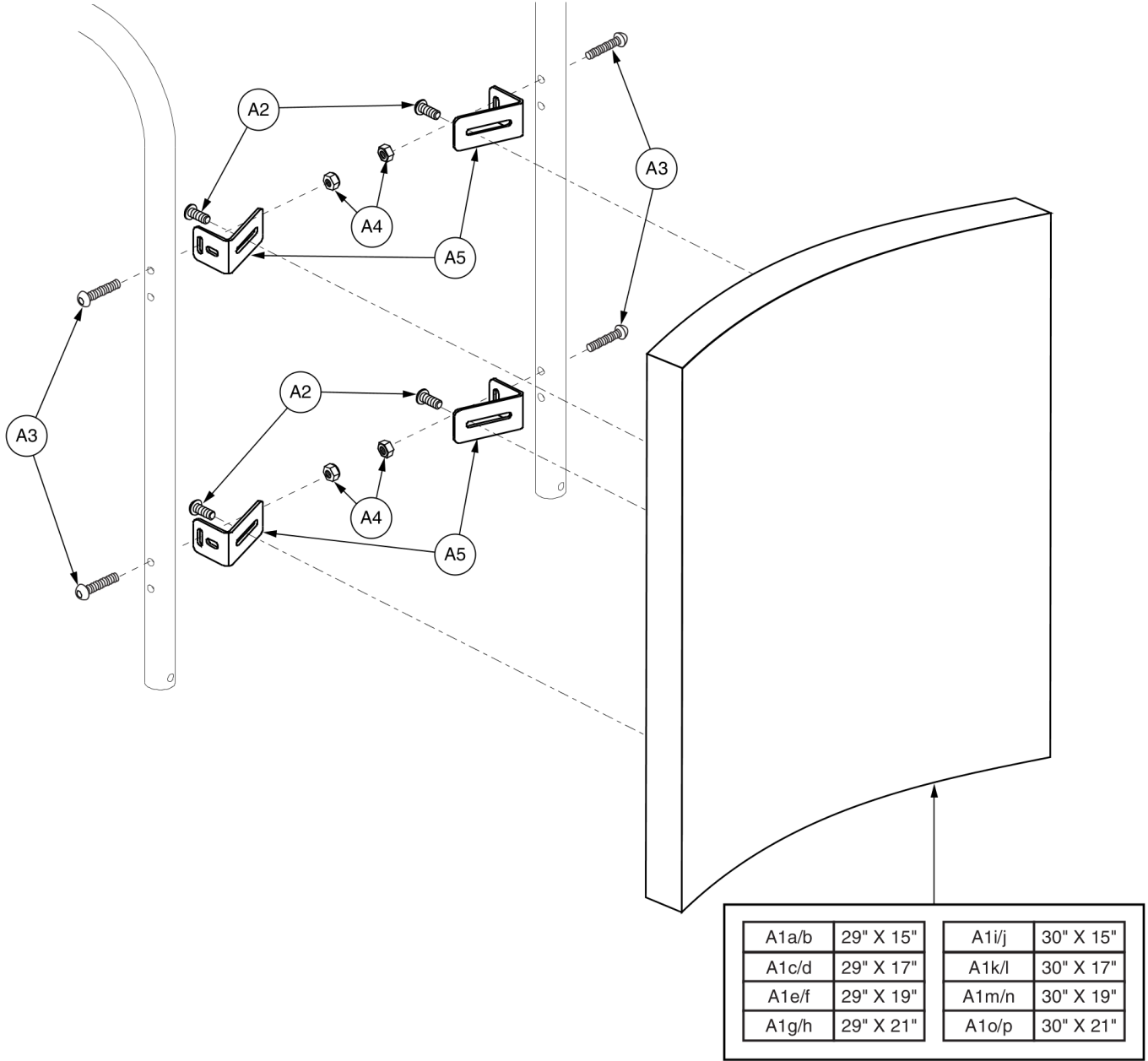


# Solid Curved Back, HD, 27"-28" Width



Item	Part No.	Name	Qty
A1a - A5		SEAT BACK,ASSY,A.R.T SOLID BACK,27"W,18"H,(27"W X 15"H)	1
A1b - A5		SEAT BACK,ASSY,A.R.T SOLID BACK,27"W,19"H,(27"W X 15"H)	1
A1c - A5		SEAT BACK,ASSY,A.R.T SOLID BACK,27"W,20"H,(27"W X 17"H)	1
A1d - A5		SEAT BACK,ASSY,A.R.T SOLID BACK,27"W,21"H,(27"W X 17"H)	1
A1e - A5		SEAT BACK,ASSY,A.R.T SOLID BACK,27"W,22"H,(27"W X 19"H)	1
A1f - A5		SEAT BACK,ASSY,A.R.T SOLID BACK,27"W,23"H,(27"W X 19"H)	1
A1g - A5		SEAT BACK,ASSY,A.R.T SOLID BACK,27"W,24"H,(27"W X 21"H)	1
A1h - A5		SEAT BACK,ASSY,A.R.T SOLID BACK,27"W,25"H,(27"W X 21"H)	1
A1i - A5		SEAT BACK,ASSY,A.R.T SOLID BACK,28"W,18"H,(28"W X 15"H)	1
A1j - A5		SEAT BACK,ASSY,A.R.T SOLID BACK,28"W,19"H,(28"W X 15"H)	1
A1k - A5		SEAT BACK,ASSY,A.R.T SOLID BACK,28"W,20"H,(28"W X 17"H)	1
A1l - A5		SEAT BACK,ASSY,A.R.T SOLID BACK,28"W,21"H,(28"W X 17"H)	1
A1m - A5		SEAT BACK,ASSY,A.R.T SOLID BACK,28"W,22"H,(28"W X 19"H)	1
A1n - A5		SEAT BACK,ASSY,A.R.T SOLID BACK,28"W,23"H,(28"W X 19"H)	1
A1o - A5		SEAT BACK,ASSY,A.R.T SOLID BACK,28"W,24"H,(28"W X 21"H)	1
A1p - A5		SEAT BACK,ASSY,A.R.T SOLID BACK,28"W,25"H,(28"W X 21"H)	1
A1a/b		SEAT BACK,SOLID BACK INSERT,27"W,15"H	1
A1c/d		SEAT BACK,SOLID BACK INSERT,27"W,17"H	1
A1e/f		SEAT BACK,SOLID BACK INSERT,27"W,19"H	1
A1g/h		SEAT BACK,SOLID BACK INSERT,27"W,21"H	1
A1i/j		SEAT BACK,SOLID BACK INSERT,28"W,15"H	1
A1k/l		SEAT BACK,SOLID BACK INSERT,28"W,17"H	1
A1m/n		SEAT BACK,SOLID BACK INSERT,28"W,19"H	1
A1o/p		SEAT BACK,SOLID BACK INSERT,28"W,21"H	1
A2	SCRASBH1018	SCREW,BHSCS,BLACK ZINC,1/4-20 X 0.625",GRADE 8	4
A3	SCRASBH1007	SCREW,BHSCS,BLACK ZINC,1/4-20 X 1.50",GRADE 8	4
A4	NUTNYLK1014	NUT,NYLOCK,BLACK ZINC,1/4-20	4
A5		MOUNTING BRACKET,AES BACK HD MOUNTING,TEXTURED,B-1000-224	4

7.2. A.R.T. Group Solid Curved Back Assy's (Discontinued)



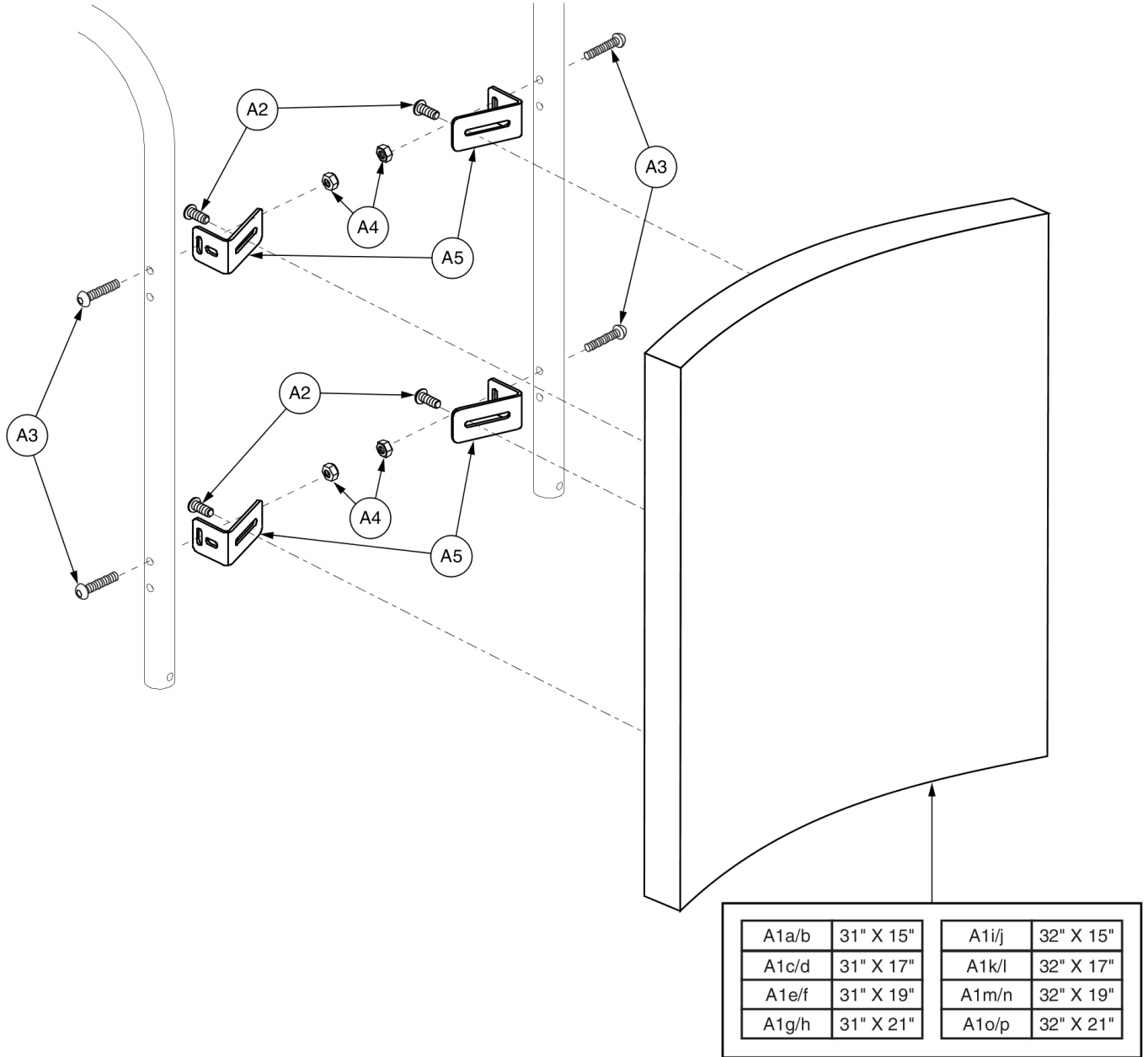
A1a — A5	29" x 18"	A1e — A5	29" x 22"	A1i — A5	30" x 18"	A1m — A5	30" x 22"
A1b — A5	29" x 19"	A1f — A5	29" x 23"	A1j — A5	30" x 19"	A1n — A5	30" x 23"
A1c — A5	29" x 20"	A1g — A5	29" x 24"	A1k — A5	30" x 20"	A1o — A5	30" x 24"
A1d — A5	29" x 21"	A1h — A5	29" x 25"	A1l — A5	30" x 21"	A1p — A5	30" x 25"

# Solid Curved Back, HD, 29"-30" Width



Item	Part No.	Name	Qty
A1a - A5		SEAT BACK,ASSY,A.R.T SOLID BACK,29"W,18"H,(29"W X 15"H)	1
A1b - A5		SEAT BACK,ASSY,A.R.T SOLID BACK,29"W,19"H,(29"W X 15"H)	1
A1c - A5		SEAT BACK,ASSY,A.R.T SOLID BACK,29"W,20"H,(29"W X 17"H)	1
A1d - A5		SEAT BACK,ASSY,A.R.T SOLID BACK,29"W,21"H,(29"W X 17"H)	1
A1e - A5		SEAT BACK,ASSY,A.R.T SOLID BACK,29"W,22"H,(29"W X 19"H)	1
A1f - A5		SEAT BACK,ASSY,A.R.T SOLID BACK,29"W,23"H,(29"W X 19"H)	1
A1g - A5		SEAT BACK,ASSY,A.R.T SOLID BACK,29"W,24"H,(29"W X 21"H)	1
A1h - A5		SEAT BACK,ASSY,A.R.T SOLID BACK,29"W,25"H,(29"W X 21"H)	1
A1i - A5		SEAT BACK,ASSY,A.R.T SOLID BACK,30"W,18"H,(30"W X 15"H)	1
A1j - A5		SEAT BACK,ASSY,A.R.T SOLID BACK,30"W,19"H,(30"W X 15"H)	1
A1k - A5		SEAT BACK,ASSY,A.R.T SOLID BACK,30"W,20"H,(30"W X 17"H)	1
A1l - A5		SEAT BACK,ASSY,A.R.T SOLID BACK,30"W,21"H,(30"W X 17"H)	1
A1m - A5		SEAT BACK,ASSY,A.R.T SOLID BACK,30"W,22"H,(30"W X 19"H)	1
A1n - A5		SEAT BACK,ASSY,A.R.T SOLID BACK,30"W,23"H,(30"W X 19"H)	1
A1o - A5		SEAT BACK,ASSY,A.R.T SOLID BACK,30"W,24"H,(30"W X 21"H)	1
A1p - A5		SEAT BACK,ASSY,A.R.T SOLID BACK,30"W,25"H,(30"W X 21"H)	1
A1a/b		SEAT BACK,SOLID BACK INSERT,29"W,15"H	1
A1c/d		SEAT BACK,SOLID BACK INSERT,29"W,17"H	1
A1e/f		SEAT BACK,SOLID BACK INSERT,29"W,19"H	1
A1g/h		SEAT BACK,SOLID BACK INSERT,29"W,21"H	1
A1i/j		SEAT BACK,SOLID BACK INSERT,30"W,15"H	1
A1k/l		SEAT BACK,SOLID BACK INSERT,30"W,17"H	1
A1m/n		SEAT BACK,SOLID BACK INSERT,30"W,19"H	1
A1o/p		SEAT BACK,SOLID BACK INSERT,30"W,21"H	1
A2	SCRASBH1018	SCREW,BHSCS,BLACK ZINC,1/4-20 X 0.625",GRADE 8	4
A3	SCRASBH1007	SCREW,BHSCS,BLACK ZINC,1/4-20 X 1.50",GRADE 8	4
A4	NUTNYLK1014	NUT,NYLOCK,BLACK ZINC,1/4-20	4
A5		MOUNTING BRACKET,AES BACK HD MOUNTING,TEXTURED,B-1000-224	4

7.2. A.R.T. Group Solid Curved Back Assy's (Discontinued)



A1a — A5	31" x 18"	A1e — A5	31" x 22"	A1i — A5	32" x 18"	A1m — A5	32" x 22"
A1b — A5	31" x 19"	A1f — A5	31" x 23"	A1j — A5	32" x 19"	A1n — A5	32" x 23"
A1c — A5	31" x 20"	A1g — A5	31" x 24"	A1k — A5	32" x 20"	A1o — A5	32" x 24"
A1d — A5	31" x 21"	A1h — A5	31" x 25"	A1l — A5	32" x 21"	A1p — A5	32" x 25"

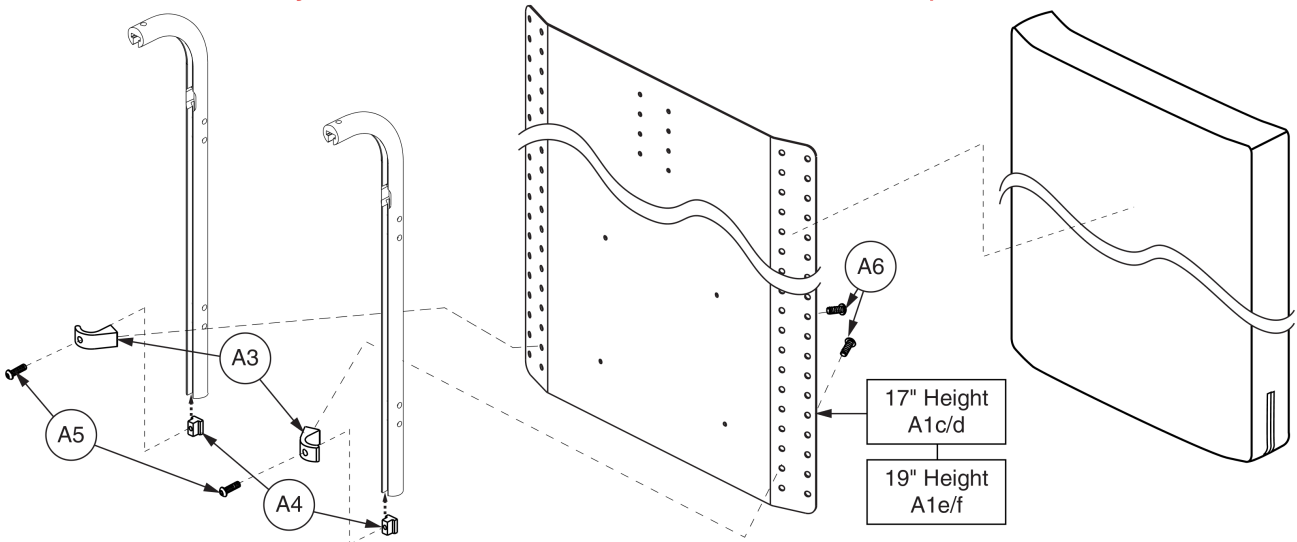
# Solid Curved Back, HD, 31"-32" Width



Item	Part No.	Name	Qty
A1a - A5		SEAT BACK,ASSY,A.R.T SOLID BACK,31"W,18"H,(31"W X 15"H)	1
A1b - A5		SEAT BACK,ASSY,A.R.T SOLID BACK,31"W,19"H,(31"W X 15"H)	1
A1c - A5		SEAT BACK,ASSY,A.R.T SOLID BACK,31"W,20"H,(31"W X 17"H)	1
A1d - A5		SEAT BACK,ASSY,A.R.T SOLID BACK,31"W,21"H,(31"W X 17"H)	1
A1e - A5		SEAT BACK,ASSY,A.R.T SOLID BACK,31"W,22"H,(31"W X 19"H)	1
A1f - A5		SEAT BACK,ASSY,A.R.T SOLID BACK,31"W,23"H,(31"W X 19"H)	1
A1g - A5		SEAT BACK,ASSY,A.R.T SOLID BACK,31"W,24"H,(31"W X 21"H)	1
A1h - A5		SEAT BACK,ASSY,A.R.T SOLID BACK,31"W,25"H,(31"W X 21"H)	1
A1i - A5		SEAT BACK,ASSY,A.R.T SOLID BACK,32"W,18"H,(32"W X 15"H)	1
A1j - A5		SEAT BACK,ASSY,A.R.T SOLID BACK,32"W,19"H,(32"W X 15"H)	1
A1k - A5		SEAT BACK,ASSY,A.R.T SOLID BACK,32"W,20"H,(32"W X 17"H)	1
A1l - A5		SEAT BACK,ASSY,A.R.T SOLID BACK,32"W,21"H,(32"W X 17"H)	1
A1m - A5		SEAT BACK,ASSY,A.R.T SOLID BACK,32"W,22"H,(32"W X 19"H BACK)	1
A1n - A5		SEAT BACK,ASSY,A.R.T SOLID BACK,32"W,23"H,(32"W X 19"H)	1
A1o - A5		SEAT BACK,ASSY,A.R.T SOLID BACK,32"W,24"H,(32"W X 21"H)	1
A1p - A5		SEAT BACK,ASSY,A.R.T SOLID BACK,32"W,25"H,(32"W X 21"H)	1
A1a/b		SEAT BACK,SOLID BACK INSERT,31"W,15"H	1
A1c/d		SEAT BACK,SOLID BACK INSERT,31"W,17"H	1
A1e/f		SEAT BACK,SOLID BACK INSERT,31"W,19"H	1
A1g/h		SEAT BACK,SOLID BACK INSERT,31"W,21"H	1
A1i/j		SEAT BACK,SOLID BACK INSERT,32"W,15"H	1
A1k/l		SEAT BACK,SOLID BACK INSERT,32"W,17"H)	1
A1m/n		SEAT BACK,SOLID BACK INSERT,32"W,19"H	1
A1o/p		SEAT BACK,SOLID BACK INSERT,32"W,21"H	1
A2	SCRASBH1018	SCREW,BHSCS,BLACK ZINC,1/4-20 X 0.625",GRADE 8	4
A3	SCRASBH1007	SCREW,BHSCS,BLACK ZINC,1/4-20 X 1.50",GRADE 8	4
A4	NUTNYLK1014	NUT,NYLOCK,BLACK ZINC,1/4-20	4
A5		MOUNTING BRACKET,AES BACK HD MOUNTING,TEXTURED,B-1000-224	4

7.3. Solid Back Plates (Discontinued)

\*\*\*The Solid Back Assemblies have been discontinued.  
Only items with callouts are available in limited quantities.\*\*\*



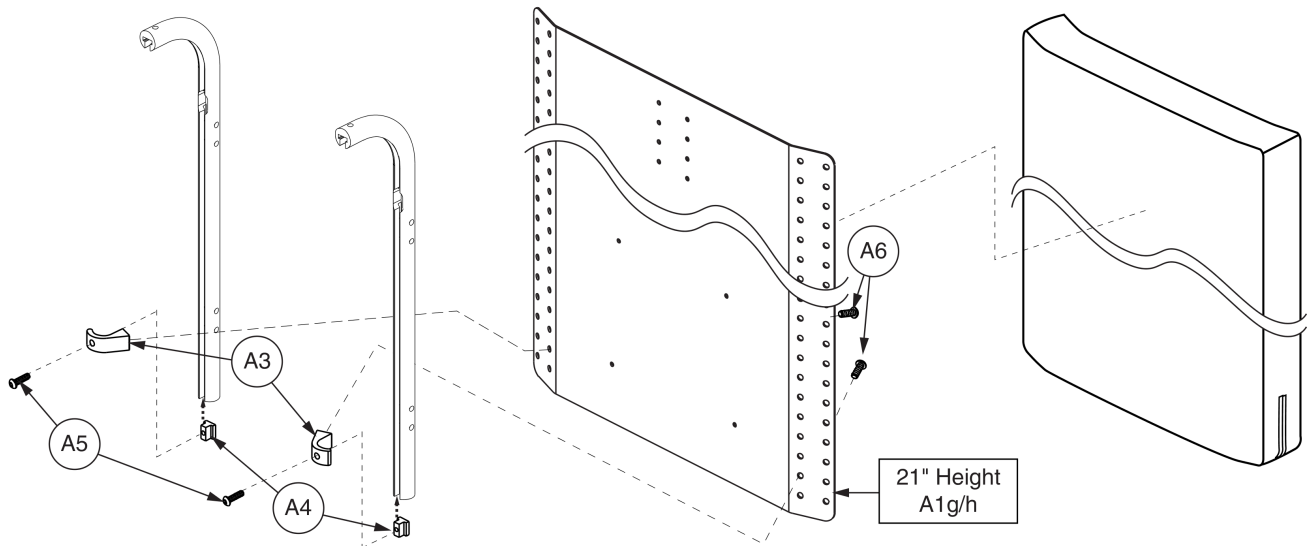
## Solid Back Plate and Cushion 20" Width



Item	Part No.	Name	Qty
A1c/d		SEAT BACK,PLATE,20"W,17"H,SYNERGY,E-1359-001	1
A1e/f		SEAT BACK,PLATE,20"W,19"H,SYNERGY,E-1359-001	1
A3		BACK PLATE BRACKET,T-SLOT,1",C-1359-005	2
A4	DWR1359B003	T-NUT,BLACK,1/4-20 X 0.563",0.50" TH,B-1359-003	2
A5	SCRASBH1209	SCREW,BHSCS,BLACK ZINC,1/4-20 X .875",GR 8,W/PATCH	2
A6	SCRASBH1148	SCREW,BHSCS,BLACK ZINC,1/4-20 X 0.50",W/PATCH	2

7.3. Solid Back Plates (Discontinued)

\*\*\*The Solid Back Assemblies have been discontinued.  
Only items with callouts are available in limited quantities.\*\*\*





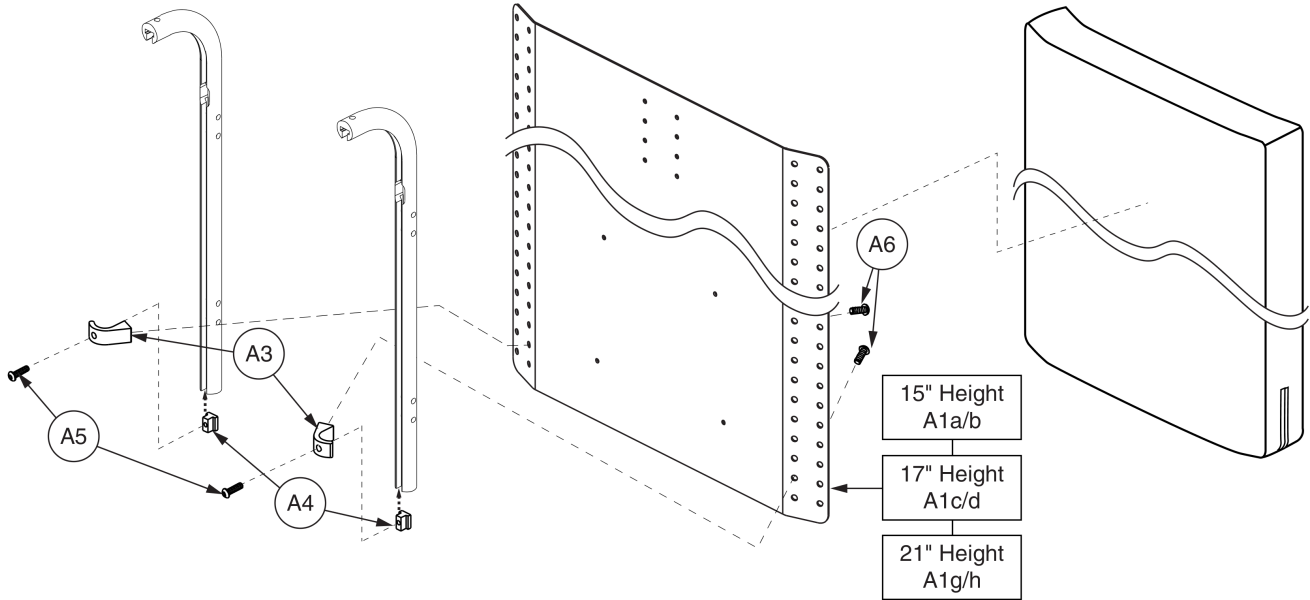
## Solid Back Plate and Cushion 21" Width



Item	Part No.	Name	Qty
A1g/h		SEAT BACK,PLATE,21"W,21"H,SYNERGY,E-1359-013	1
A3		BACK PLATE BRACKET,T-SLOT,1",C-1359-005	2
A4	DWR1359B003	T-NUT,BLACK,1/4-20 X 0.563",0.50" TH,B-1359-003	2
A5	SCRASBH1209	SCREW,BHSCS,BLACK ZINC,1/4-20 X .875",GR 8,W/PATCH	2
A6	SCRASBH1148	SCREW,BHSCS,BLACK ZINC,1/4-20 X 0.50",W/PATCH	2

7.3. Solid Back Plates (Discontinued)

\*\*\*The Solid Back Assemblies have been discontinued.  
Only items with callouts are available in limited quantities.\*\*\*



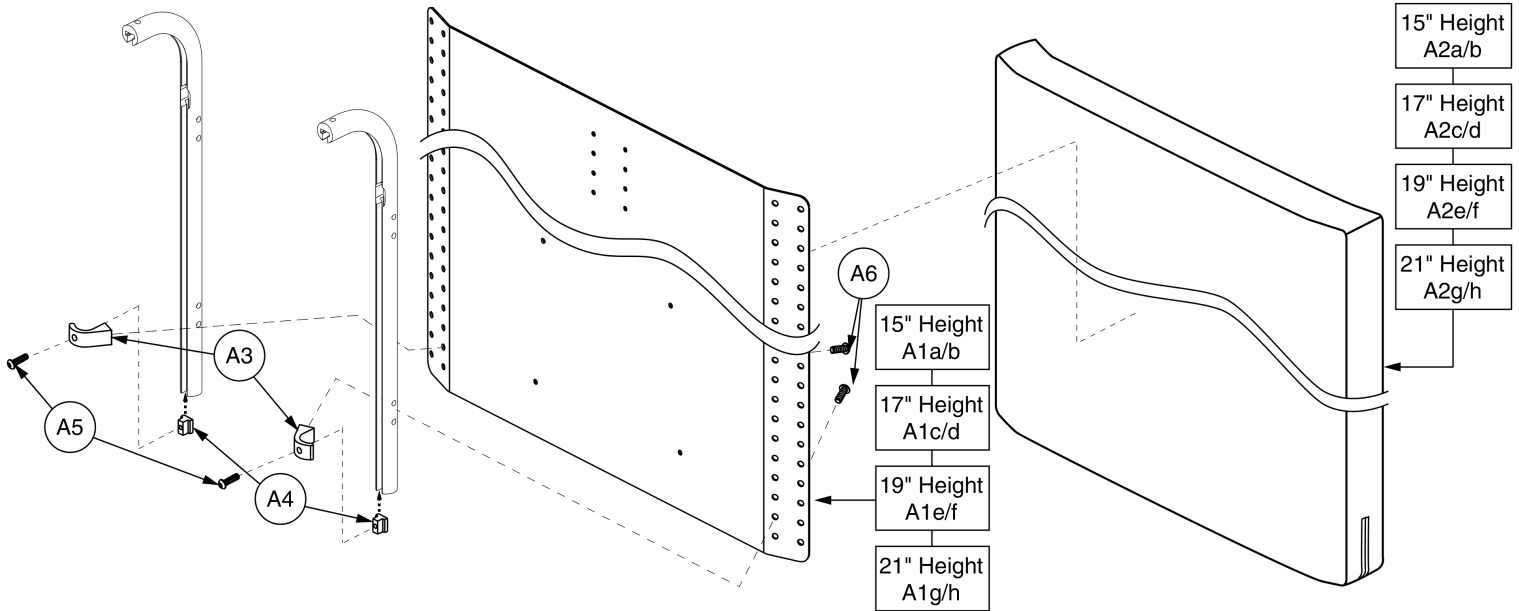
## Solid Back Plate and Cushion 22" Width



Item	Part No.	Name	Qty
A1a/b		SEAT BACK,PLATE,22"W,15"H,SYNERGY,E-1359-014	1
A1c/d		SEAT BACK,PLATE,22"W,17"H,SYNERGY,E-1359-014	1
A1g/h		SEAT BACK,PLATE,22"W,21"H,SYNERGY,E-1359-014	1
A3		BACK PLATE BRACKET,T-SLOT,1",C-1359-005	2
A4	DWR1359B003	T-NUT,BLACK,1/4-20 X 0.563",0.50" TH,B-1359-003	2
A5	SCRASBH1209	SCREW,BHSCS,BLACK ZINC,1/4-20 X .875",GR 8,W/PATCH	2
A6	SCRASBH1148	SCREW,BHSCS,BLACK ZINC,1/4-20 X 0.50",W/PATCH	2

7.3. Solid Back Plates (Discontinued)

\*\*\*The Solid Back Assemblies have been discontinued.  
Only items with callouts are available in limited quantities.\*\*\*



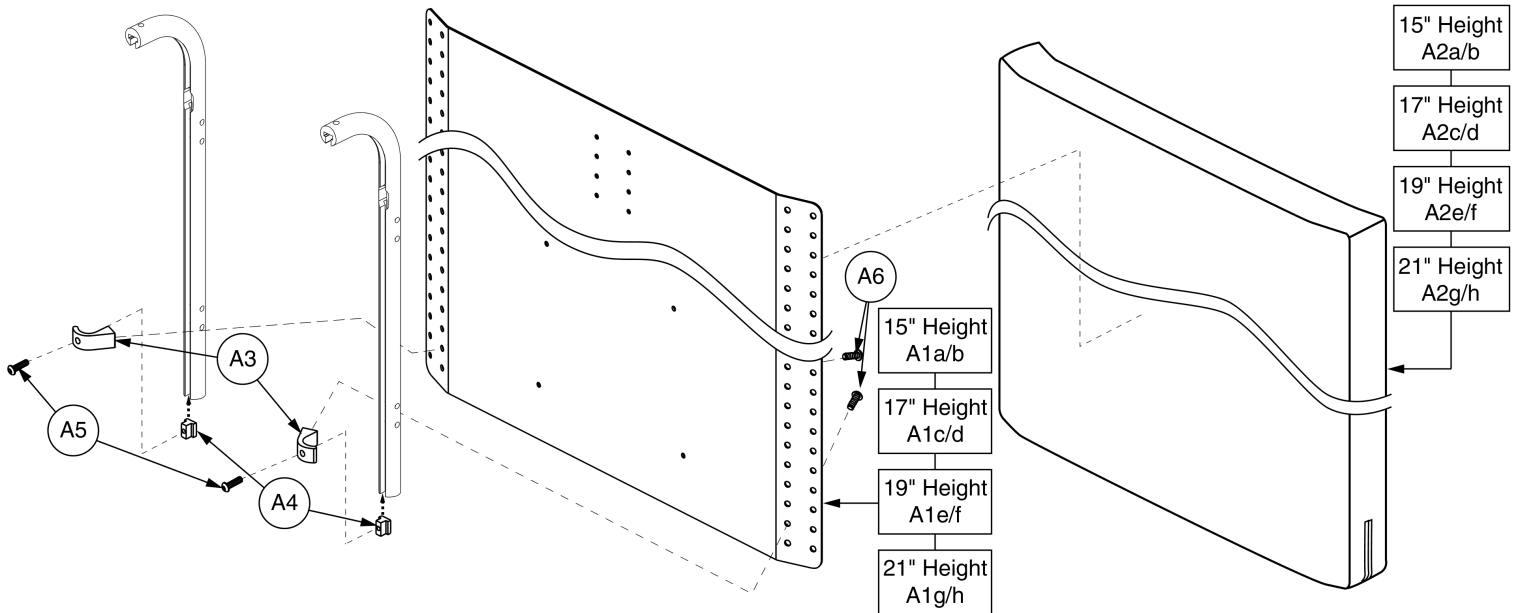
# Solid Back Plate and Cushion 23" Width



Item	Part No.	Name	Qty
A1a - A6		SOLID SEAT BACK PLATE,23"W,18"H,W/CUSHION,(23"W X 15"H)	1
A1b - A6		SOLID SEAT BACK PLATE,23"W,19"H,W/CUSHION,(23"W X 15"H)	1
A1c - A6		SOLID SEAT BACK PLATE,23"W,20"H,W/CUSHION,(23"W X 17"H)	1
A1d - A6		SOLID SEAT BACK PLATE,23"W,21"H,W/CUSHION,(23"W X 17"H)	1
A1e - A6		SOLID SEAT BACK PLATE,23"W,22"H,W/CUSHION,(23"W X 19"H)	1
A1f - A6		SOLID SEAT BACK PLATE,23"W,23"H,W/CUSHION,(23"W X 19"H)	1
A1g - A6		SOLID SEAT BACK PLATE,23"W,24"H,W/CUSHION,(23"W X 21"H)	1
A1h - A6		SOLID SEAT BACK PLATE,23"W,25"H,W/CUSHION,(23"W X 21"H)	1
A1a/b		SEAT BACK,PLATE,23"W,15"H,SYNERGY,E-1359-015	1
A1c/d		SEAT BACK,PLATE,23"W,17"H,SYNERGY,E-1359-015	1
A1e/f		SEAT BACK,PLATE,23"W,19"H,SYNERGY,E-1359-015	1
A1g/h		SEAT BACK,PLATE,23"W,21"H,SYNERGY,E-1359-015	1
A2a/b		CUSHION,SEAT BACK,23"W,15"H,SOLID BACK PLATE,E-1359-027	1
A2c/d		CUSHION,SEAT BACK,23"W,17"H,SOLID BACK PLATE,E-1359-027	1
A2e/f		CUSHION,SEAT BACK,23"W,19"H,SOLID BACK PLATE,E-1359-027	1
A2g/h		CUSHION,SEAT BACK,23"W,21"H,SOLID BACK PLATE,E-1359-027	1
A3		BACK PLATE BRACKET,T-SLOT,1",C-1359-005	2
A4	DWR1359B003	T-NUT,BLACK,1/4-20 X 0.563",0.50" TH,B-1359-003	2
A5	SCRASBH1209	SCREW,BHSCS,BLACK ZINC,1/4-20 X .875",GR 8,W/PATCH	2
A6	SCRASBH1148	SCREW,BHSCS,BLACK ZINC,1/4-20 X 0.50",W/PATCH	2

7.3. Solid Back Plates (Discontinued)

\*\*\*The Solid Back Assemblies have been discontinued.  
Only items with callouts are available in limited quantities.\*\*\*

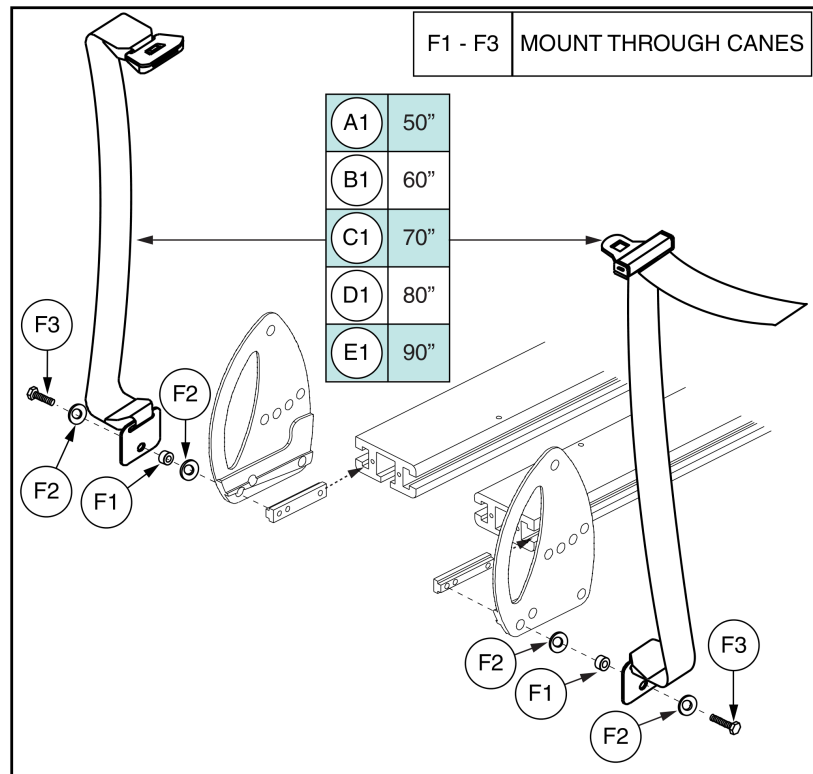


# Solid Back Plate and Cushion 24" Width



Item	Part No.	Name	Qty
A1a - A6		SOLID SEAT BACK PLATE,24"W,18"H,W/CUSHION,(24"W X 15"H)	1
A1b - A6		SOLID SEAT BACK PLATE,24"W,19"H,W/CUSHION,(24"W X 15"H)	1
A1c - A6		SOLID SEAT BACK PLATE,24"W,20"H,W/CUSHION,(24"W X 17"H)	1
A1d - A6		SOLID SEAT BACK PLATE,24"W,21"H,W/CUSHION,(24"W X 17"H)	1
A1e - A6		SOLID SEAT BACK PLATE,24"W,22"H,W/CUSHION,(24"W X 19"H)	1
A1f - A6		SOLID SEAT BACK PLATE,24"W,23"H,W/CUSHION,(24"W X 19"H)	1
A1g - A6		SOLID SEAT BACK PLATE,24"W,24"H,W/CUSHION,(24"W X 21"H)	1
A1h - A6		SOLID SEAT BACK PLATE,24"W,25"H,W/CUSHION,(24"W X 21"H)	1
A1a/b		SEAT BACK,PLATE,24"W,15"H,SYNERGY,E-1359-002	1
A1c/d		SEAT BACK,PLATE,24"W,17"H,SYNERGY,E-1359-002	1
A1e/f		SEAT BACK,PLATE,24"W,19"H,SYNERGY,E-1359-002	1
A1g/h		SEAT BACK,PLATE,24"W,21"H,SYNERGY,E-1359-002	1
A2a/b		CUSHION,SEAT BACK,24"W,15"H,SOLID BACK PLATE,E-1359-027	1
A2c/d		CUSHION,SEAT BACK,24"W,17"H,SOLID BACK PLATE,E-1359-027	1
A2e/f		CUSHION,SEAT BACK,24"W,19"H,SOLID BACK PLATE,E-1359-027	1
A2g/h		CUSHION,SEAT BACK,24"W,21"H,SOLID BACK PLATE,E-1359-027	1
A3		BACK PLATE BRACKET,T-SLOT,1",C-1359-005	2
A4	DWR1359B003	T-NUT,BLACK,1/4-20 X 0.563",0.50" TH,B-1359-003	2
A5	SCRASBH1209	SCREW,BHSCS,BLACK ZINC,1/4-20 X .875",GR 8,W/PATCH	2
A6	SCRASBH1148	SCREW,BHSCS,BLACK ZINC,1/4-20 X 0.50",W/PATCH	2

8. Lap Belts



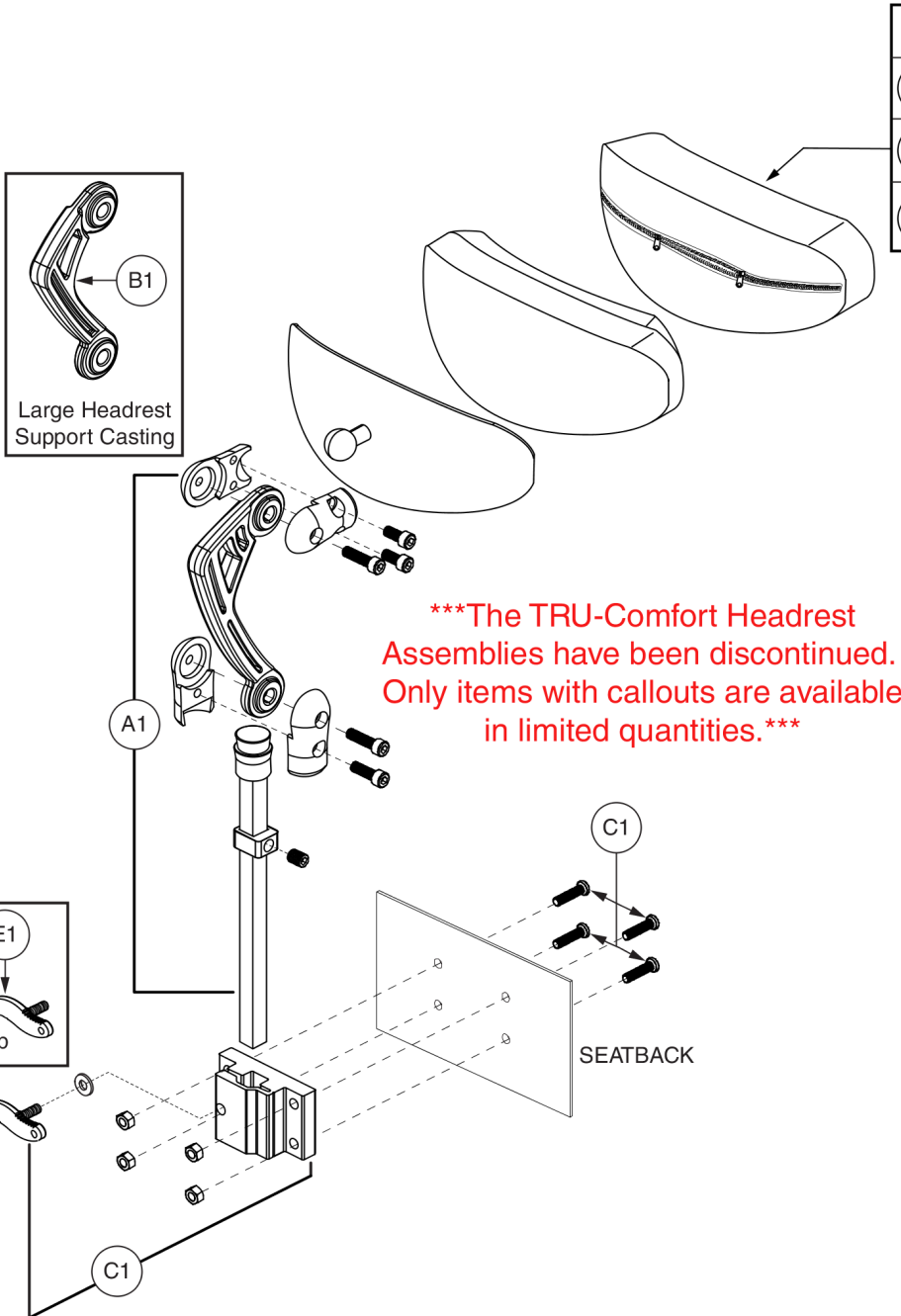


# Lap Belts, Adult



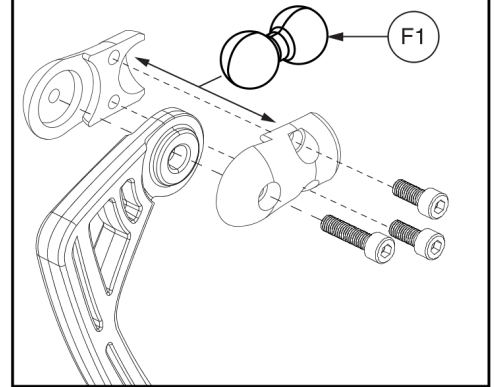
Item	Part No.	Name	Qty
A1	ACCBELT1000	LAP BELT,50",C-1010-336	1
B1	ACCBELT1002	LAP BELT,60",C-1010-336	1
C1	ACCBELT1003	LAP BELT,70",C-1010-336	1
D1	ACCBELT1004	LAP BELT,80",C-1010-336	1
E1	ACCBELT1001	LAP BELT,90",C-1010-336	1
F1 - F3	HDWASMB1155	LAP BELT MOUNTING HARDWARE,ASSY,SYNERGY SEAT/TILT	1
F1		SPACER,BLACK ZINC,STEEL,0.328" ID X 0.50" OD X 0.20" TH,A-1600-052	2
F2	WASSTND1042	WASHER,FLAT,BLACK ZINC,0.3125" ID X 0.75" OD X 0.0625"TH	4
F3	SCRHHCS1241	SCREW,HHCS,BLACK ZINC,5/16-18 X 0.75",GR 8,W/PATCH	2

9. Headrests



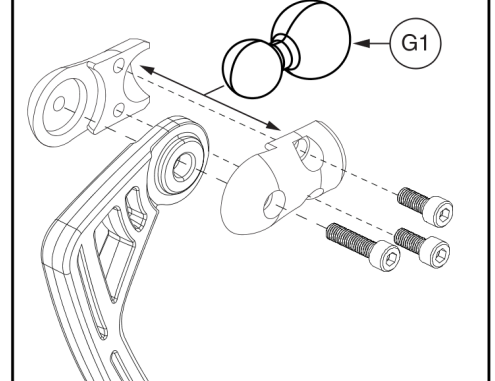
Covers	
D1a	TRU-Comfort
D1b	TRU-Comfort Plus
D1c	TRU-Comfort Mesh

**.75" Universal Headrest Connector**



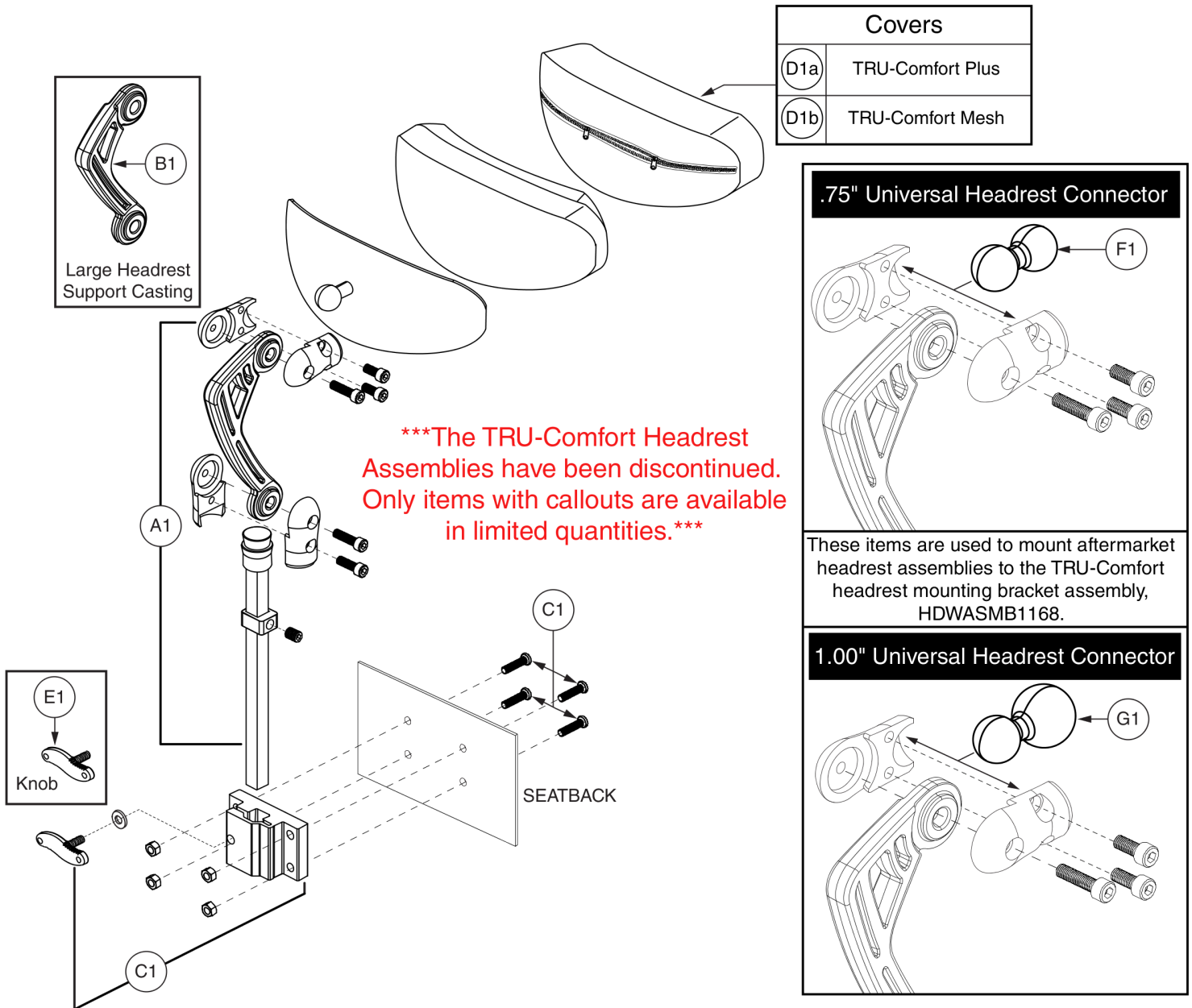
These items are used to mount aftermarket headrest assemblies to the TRU-Comfort headrest mounting bracket assembly, HDWASMB1168.

**1.00" Universal Headrest Connector**



Item	Part No.	Name	Qty
A1		HARDWARE KIT,ASSY,HEADREST MOUNT,TRUCOMFORT,W/REMOVABLE MOUNTING BRACKET	1
B1		BRACKET,HEADREST SUPPORT CASTING,SMALL	1
C1		HEADREST BRACKET MOUNTING HARDWARE,ASSY,SYNERGY/TB2	1
D1a		HEADREST COVER,OUTER,VINYL,MEDIUM	1
D1b		HEADREST COVER,OUTER,DRY-TEK,MEDIUM,TRU-COMFORT	1
D1c		HEADREST COVER,OUTER,AIR MESH,MEDIUM,TRU-COMFORT	1
E1	DWR1306C005	HEADREST KNOB WELDMENT,LOW PROFILE,C-1306-005	1
F1		KNOB,UNIVERSAL HEAD BRACE CONNECTOR,0.75",C-1010-366	1
G1		KNOB,UNIVERSAL HEAD BRACE CONNECTOR,1.00",C-1010-365	1

9. Headrests

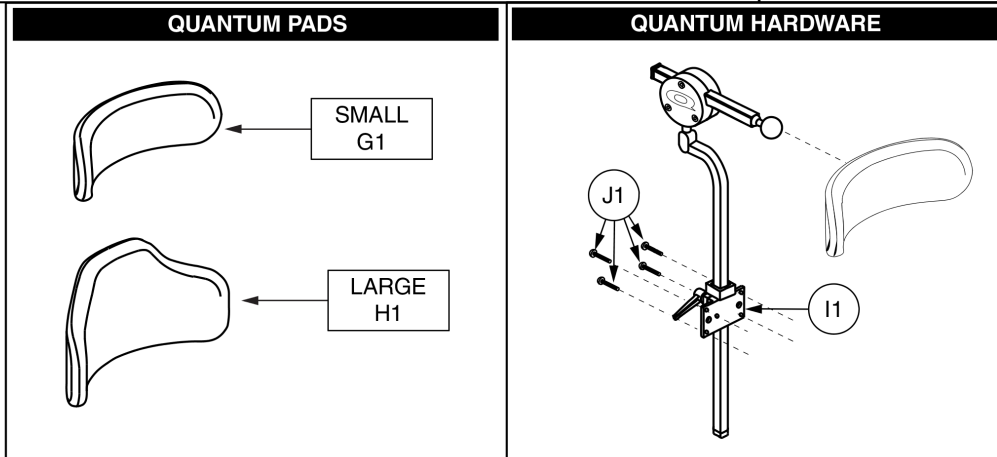
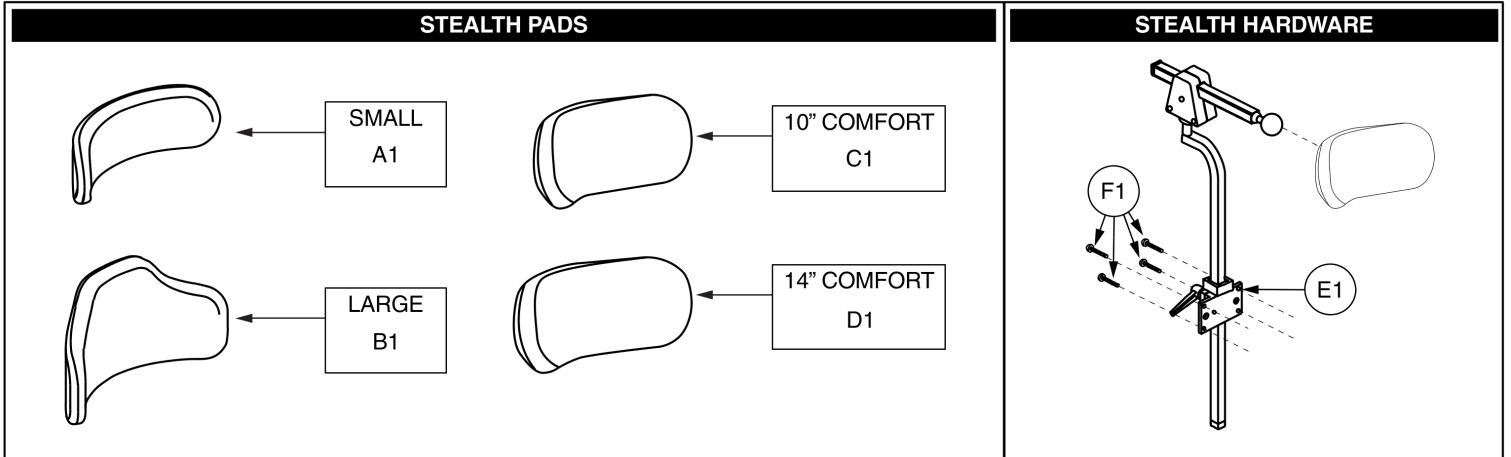


**TRU-Comfort Headrest Assy - 10", Bariatric Tilt**



Item	Part No.	Name	Qty
A1		HARDWARE KIT,ASSY,HEADREST MOUNT,TRUCOMFORT,W/REMOVABLE MOUNTING BRACKET	1
B1		BRACKET,HEADREST SUPPORT CASTING,SMALL	1
C1		HEADREST BRACKET MOUNTING HARDWARE,ASSY,SYNERGY/TB2	1
D1a		HEADREST COVER,OUTER,DRY-TEK,LARGE,TRU-COMFORT	1
D1b		HEADREST COVER,OUTER,AIR MESH,LARGE,TRU-COMFORT	1
E1	DWR1306C005	HEADREST KNOB WELDMENT,LOW PROFILE,C-1306-005	1
F1		KNOB,UNIVERSAL HEAD BRACE CONNECTOR,0.75",C-1010-366	1
G1		KNOB,UNIVERSAL HEAD BRACE CONNECTOR,1.00",C-1010-365	1

9. Headrests

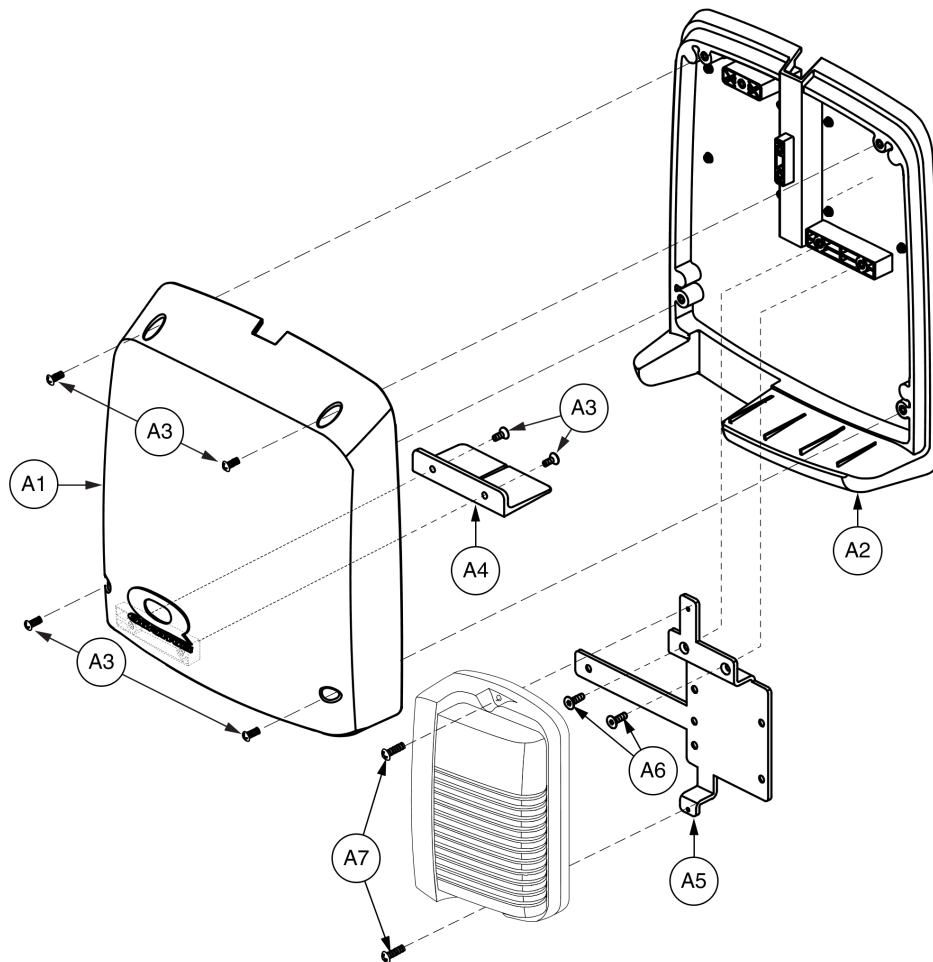


# Standard Headrests, Bariatric Tilt



Item	Part No.	Name	Qty
A1	SETHEAD1052	HEADREST,SMALL,CONTOURED,(STEALTH: STL-OTSM250)	1
B1	SETHEAD1053	HEADREST,LARGE,CONTOURED,(STEALTH: STL-OTLG150)	1
C1	SETHEAD1057	HEADREST,PAD,10IN,COMFORT PLUS,(STEALTH: CP250)	1
D1	INDPART2327	HEADREST,PAD,14",COMFORT PLUS,(STEALTH:CP150)	1
E1	HDWASMB1084	KIT,QUANTUM REHAB, OFFSET HEADREST,(STEALTH: HMO475P)	1
F1	SCRASBH1040	SCREW,BHSCS,10-32 X 0.875"	4
G1		HEADREST,SMALL,FLAT, VERSA TILT	1
H1		HEADREST,LARGE,FLAT, VERSA TILT	1
I1		KIT,ASSY,OFFSET HEADREST,W/HARDWARE	1
J1	SCRASBH1040	SCREW,BHSCS,10-32 X 0.875"	4

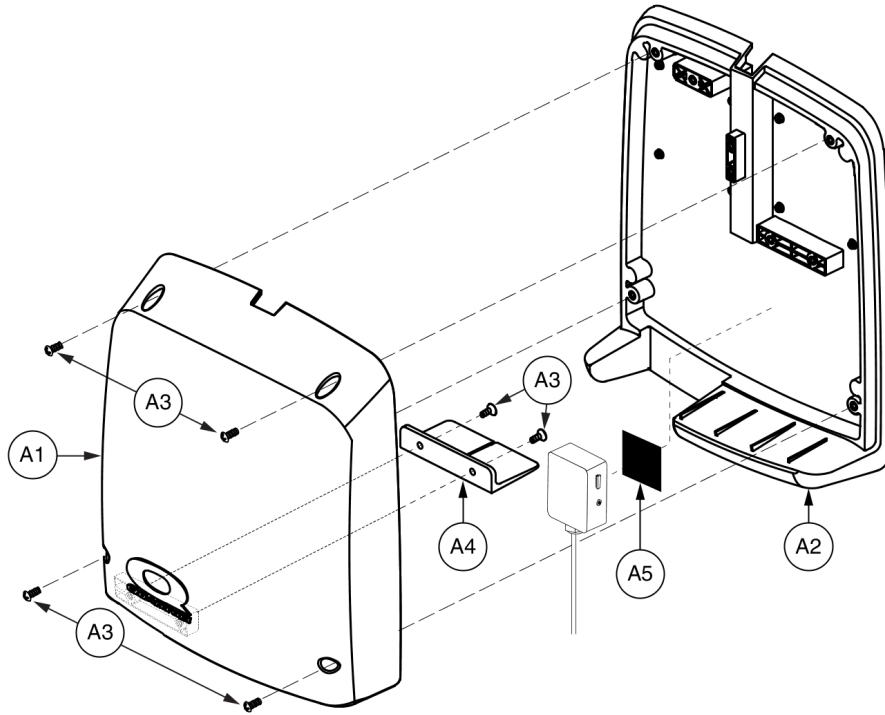
*Bracket Mounted*





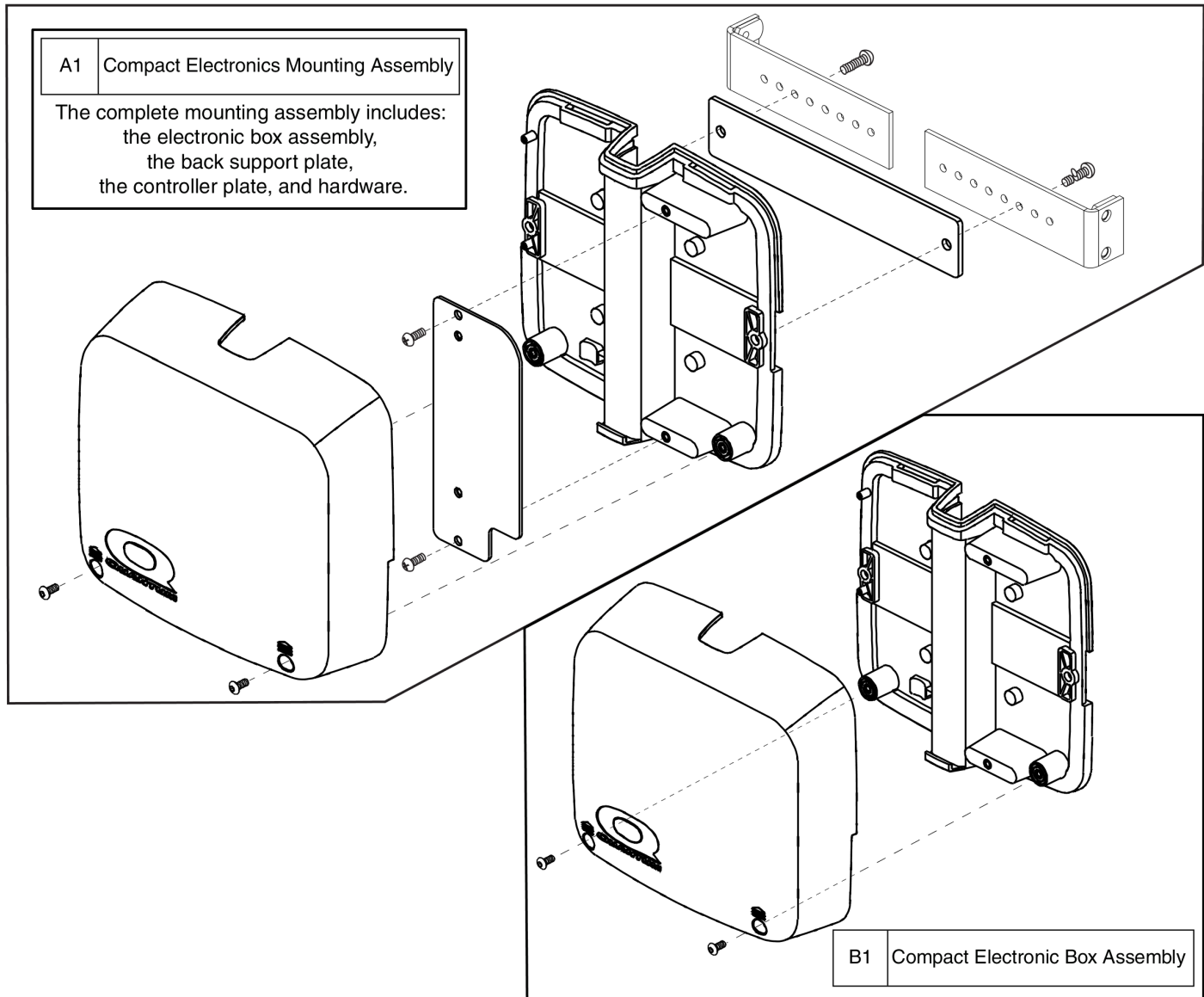
Item	Part No.	Name	Qty
A1 - A7	FRMASMB10500	MOUNTING,ASSY,ELECTRONICS BOX,AAM	1
A1	DWR1358E013	ELECTRONICS BOX,LID,BLACK,PLASTIC,TRU-BALANCE TILT 2	1
A2	DWR1358E012	ELECTRONICS BOX,BASE,BLACK,PLASTIC,TRU-BALANCE TILT 2	1
A3	SCRPPH1353	SCREW,PPH,BLACK ZINC,8-32 X 0.3125"	6
A4		GASKET,BLACK,RUBBER,ELECTRONICS BOX,TRU-BALANCE TILT 2	1
A5	DWR1358E014	MOUNTING BRACKET,UNIVERSAL R-NET ALM/AAM	1
A6	SCRSHFH1030	SCREW,SHFH,BLACK ZINC,8-32 X 0.3125"	2
A7	SCRPPH1080	SCREW,PPH,BLACK ZINC,8-32 X 0.75"	2

*Bracket Mounted*



Item	Part No.	Name	Qty
A1 - A5	FRMASMB11068	MOUNTING,ASSY,ELECTRONICS BOX,SINGLE SWITCH,TRUBALANCE 2 POWER TILT	1
A1	DWR1358E013	ELECTRONICS BOX,LID,BLACK,PLASTIC,TRU-BALANCE TILT 2	1
A2	DWR1358E012	ELECTRONICS BOX,BASE,BLACK,PLASTIC,TRU-BALANCE TILT 2	1
A3	SCRPPH1353	SCREW,PPH,BLACK ZINC,8-32 X 0.3125"	6
A4		GASKET,BLACK,RUBBER,ELECTRONICS BOX,TRU-BALANCE TILT 2	1
A5		REUSABLE FASTENER,2" X 4"	1

## Bracket Mounted

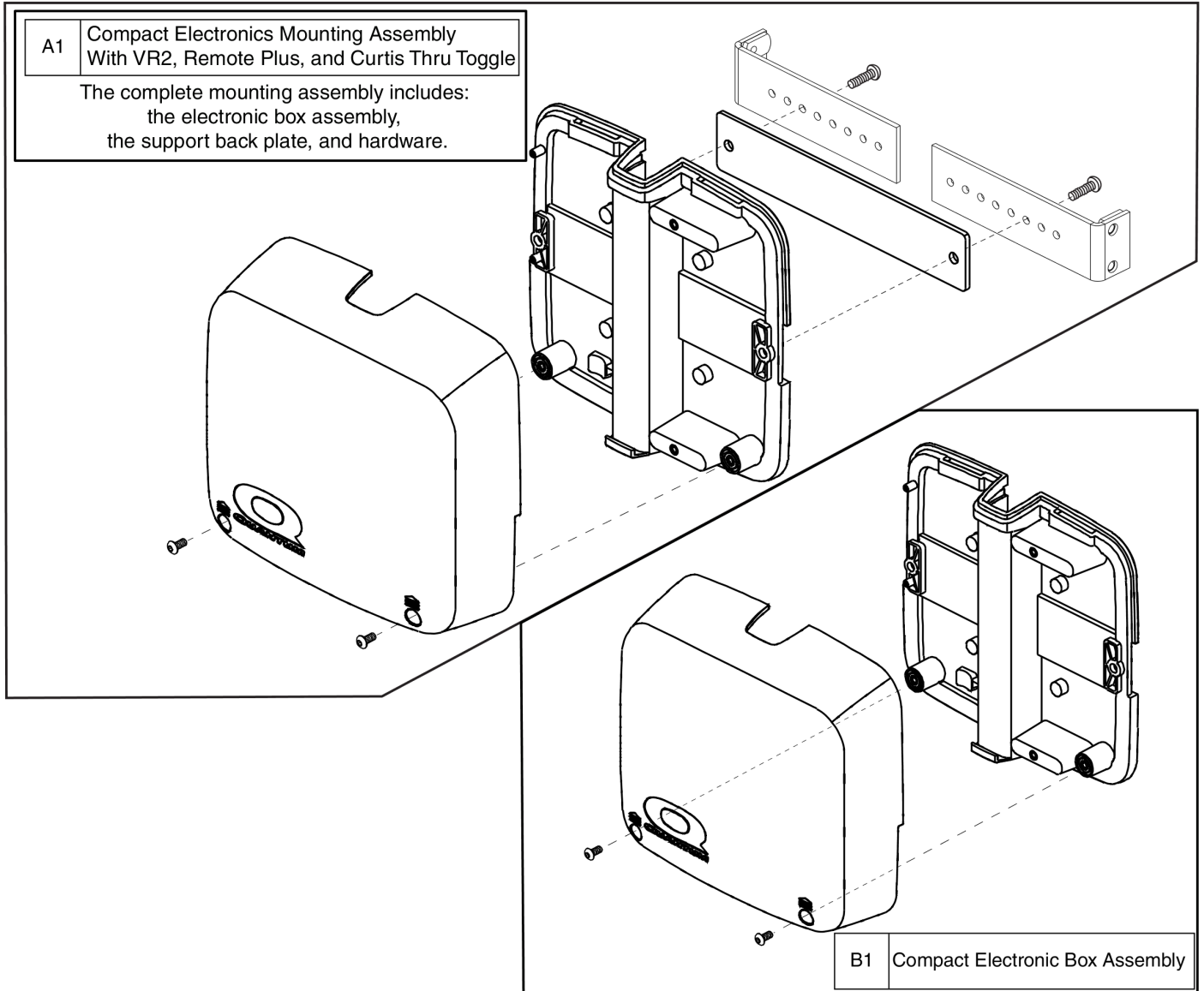


# Electronics Box - Compact, Bariatric Tilt



Item	Part No.	Name	Qty
A1	FRMASMB14207	MOUNTING,ASSY,COMPACT ELECTRONICS BOX,Q-LOGIC/REMOTE PLUS/VR2/NE/NE PLUS	1
B1	PLSASMB2077	ELECTRONIC,ASSY,BOX,COMPACT,PLASTIC,TB2 TILT,E-1358-016	1

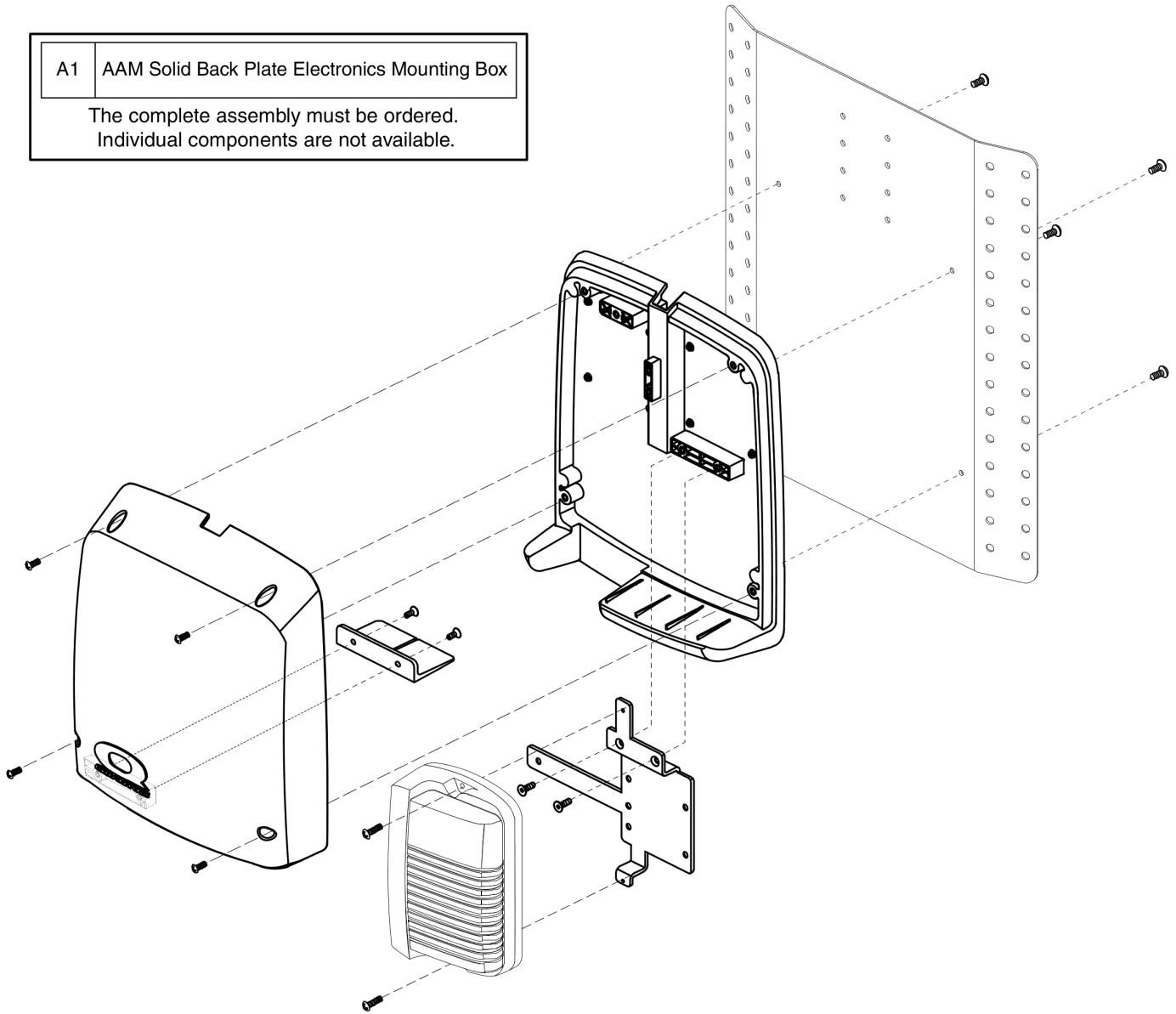
**Bracket Mounted**



Item	Part No.	Name	Qty
A1	FRMASMB15905	MOUNTING,ASSY,COMPACT ELECTRONICS BOX,VR2/NE/NE+ THRU TOGGLE/Q-LOGIC THRU TOGGLE/REMOTE PLUS THRU TOGGLE	1
B1	PLSASMB2077	ELECTRONIC,ASSY,BOX,COMPACT,PLASTIC,TB2 TILT,E-1358-016	1

**Solid Back Mounted**

A1	AAM Solid Back Plate Electronics Mounting Box
The complete assembly must be ordered. Individual components are not available.	

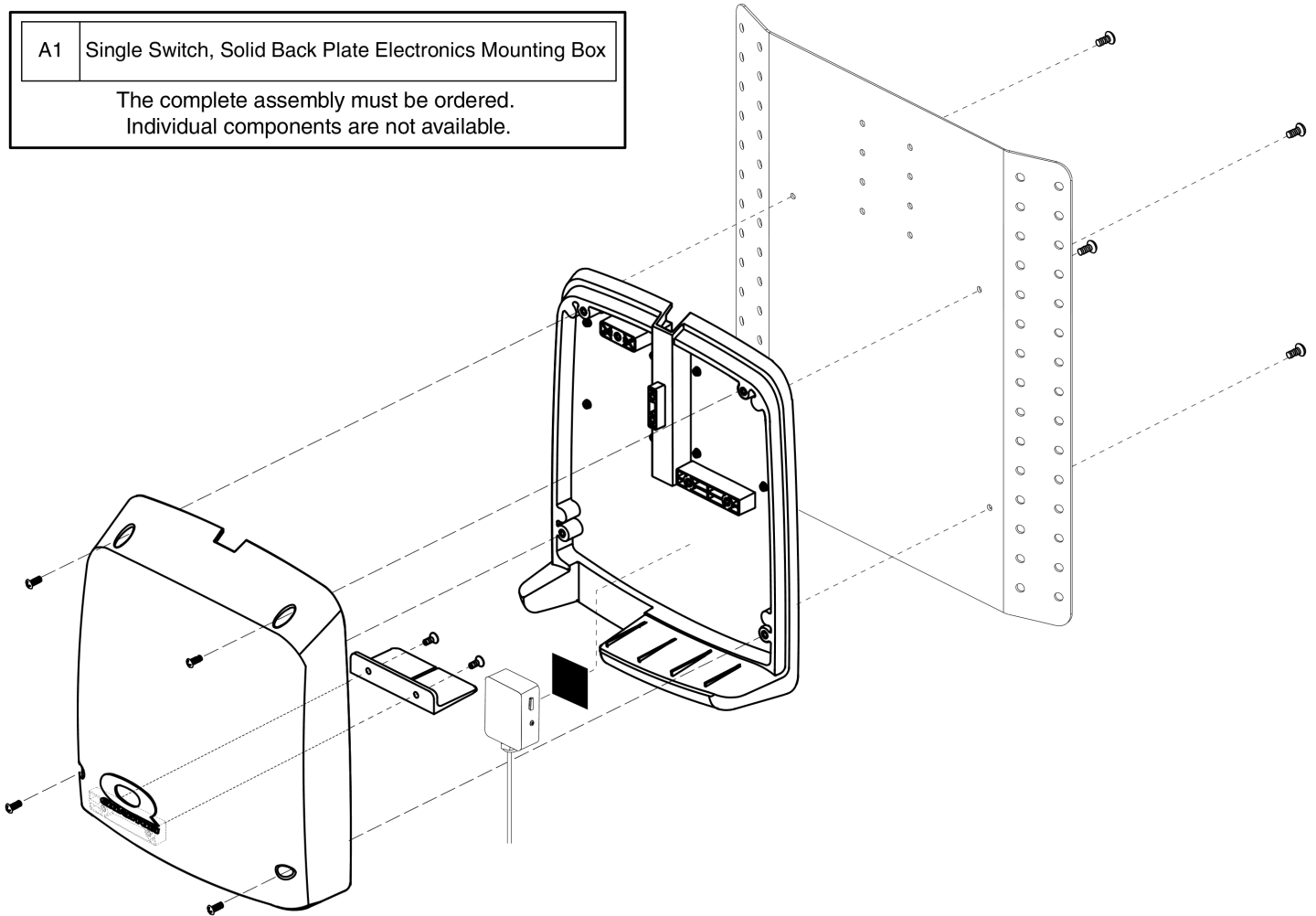




Item	Part No.	Name	Qty
A1	FRMASMB10503	MOUNTING,ASSY,ELECTRONICS BOX,SOLID BACK PLATE,AAM	1

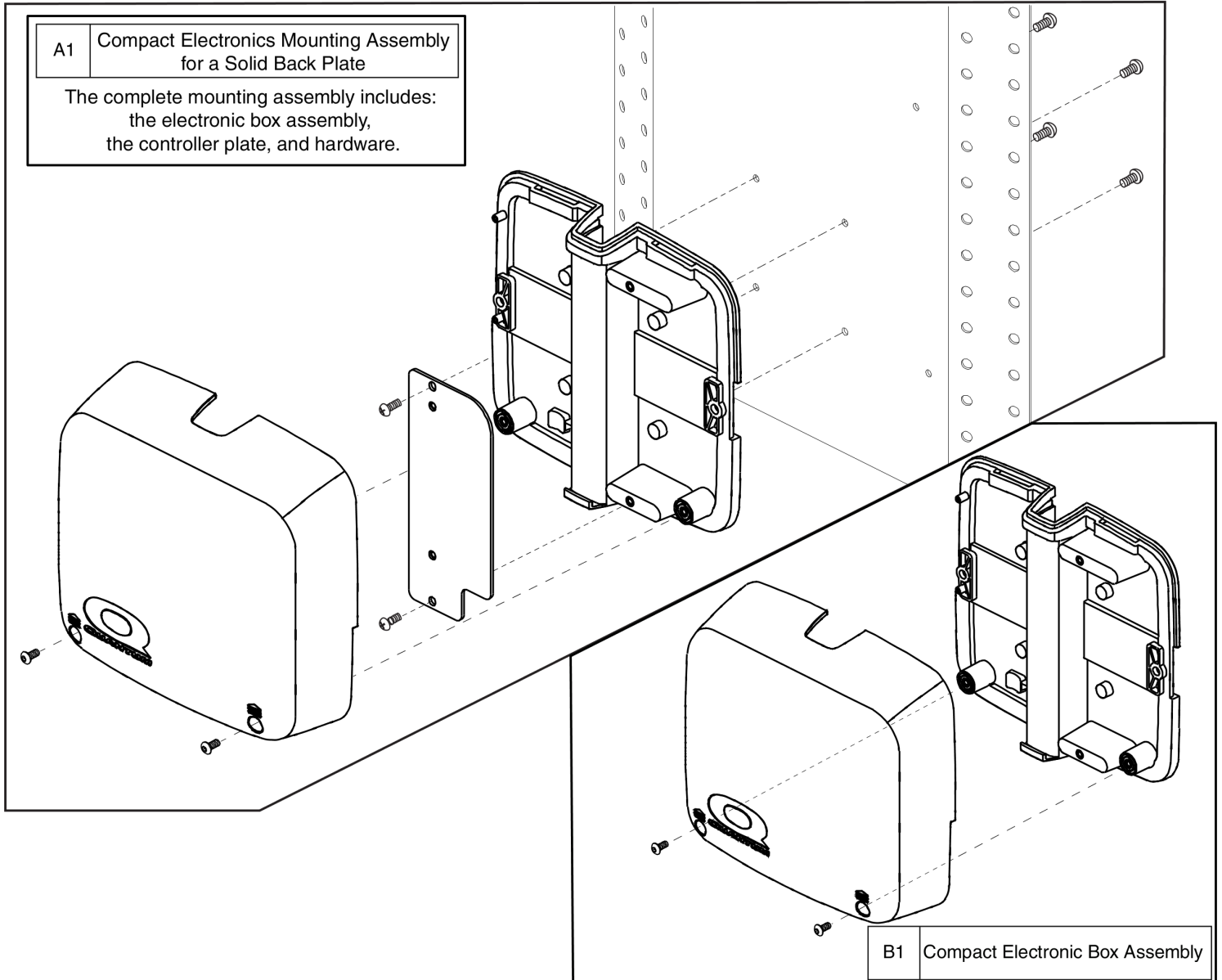
**Solid Back Mounted**

A1	Single Switch, Solid Back Plate Electronics Mounting Box
The complete assembly must be ordered. Individual components are not available.	



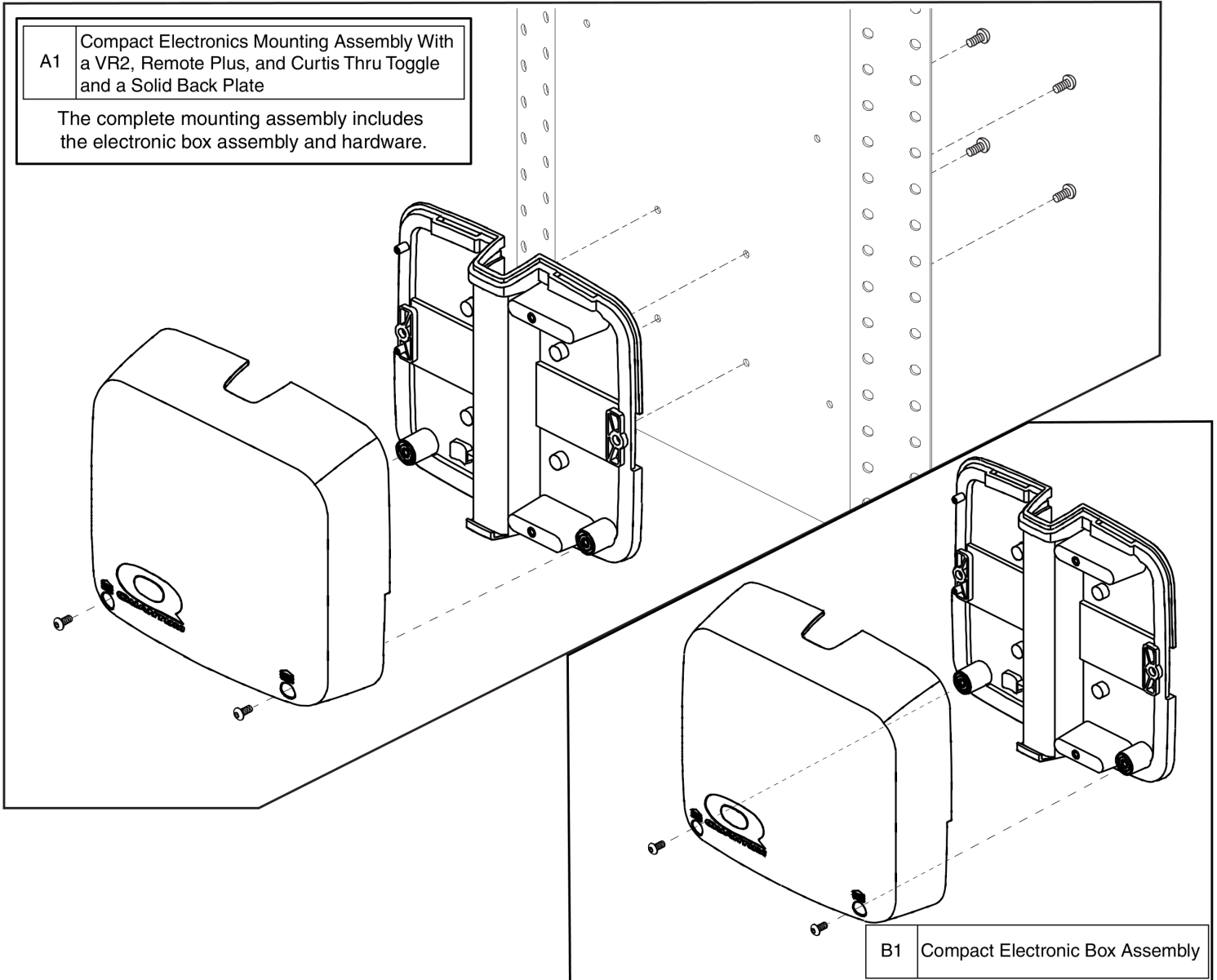
Item	Part No.	Name	Qty
A1	FRMASMB11069	MOUNTING,ASSY,ELECTRONICS BOX,SOLID BACK PLATE,SINGLE SWITCH,TRU-BALANCE 2 POWER TILT	1

**Solid Back Mounted**



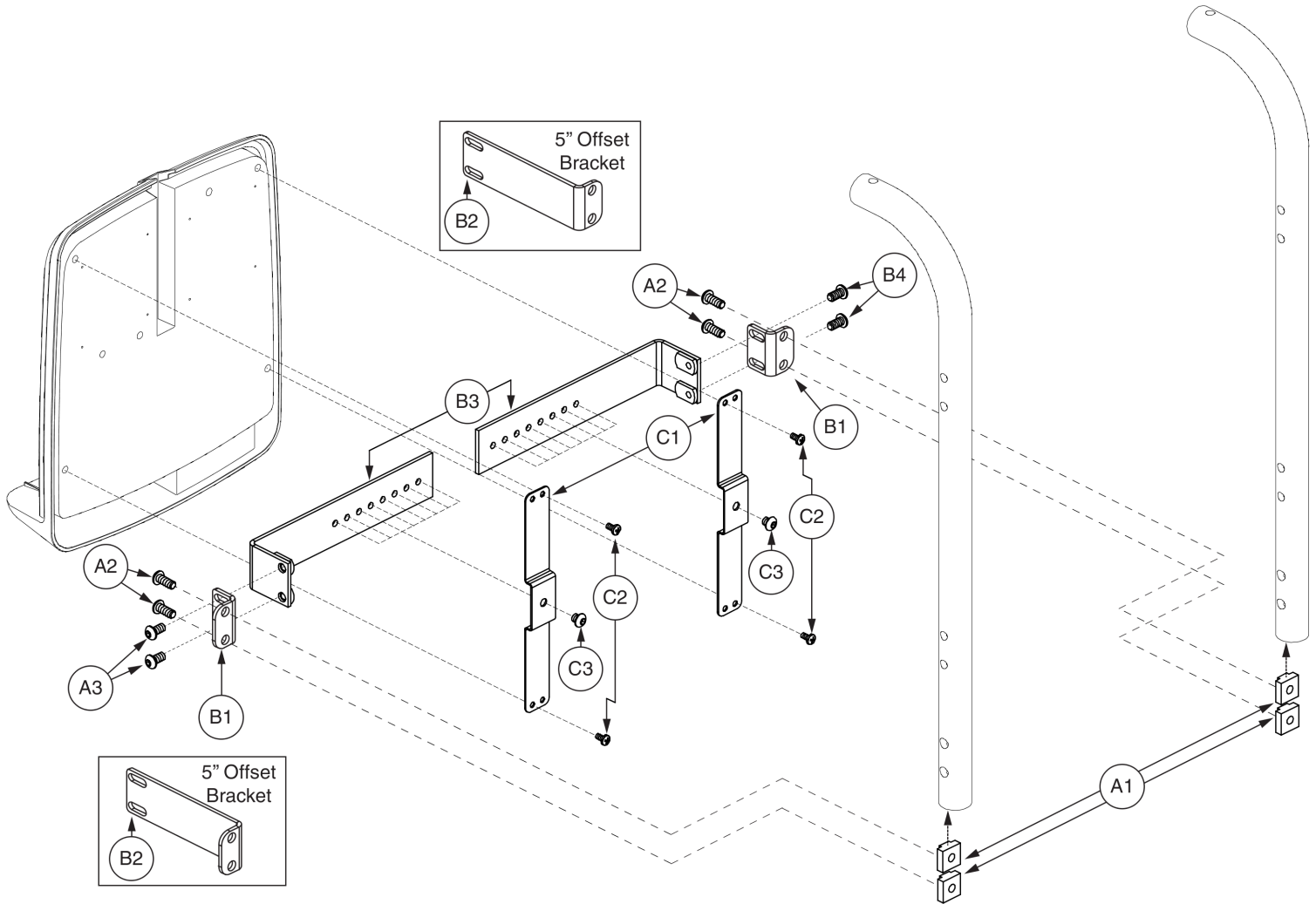
Item	Part No.	Name	Qty
A1	FRMASMB14208	MOUNTING,ASSY,COMPACT ELECTRONICS BOX,SOLID BACK PLATE,Q-LOGIC/REMOTE PLUS/VR2/NE/NE PLUS	1
B1	PLSASMB2077	ELECTRONIC,ASSY,BOX,COMPACT,PLASTIC,TB2 TILT,E-1358-016	1

**Solid Back Mounted**



Item	Part No.	Name	Qty
A1	FRMASMB15906	MOUNTING,ASSY,COMPACT ELECTRONICS BOX,SOLID BACK PLATE,VR2/NE/NE+ THRU TOGGLE/Q-LOGIC THRU TOGGLE/REMOTE PLUS THRU TOGGLE	1
B1	PLSASMB2077	ELECTRONIC,ASSY,BOX,COMPACT,PLASTIC,TB2 TILT,E-1358-016	1

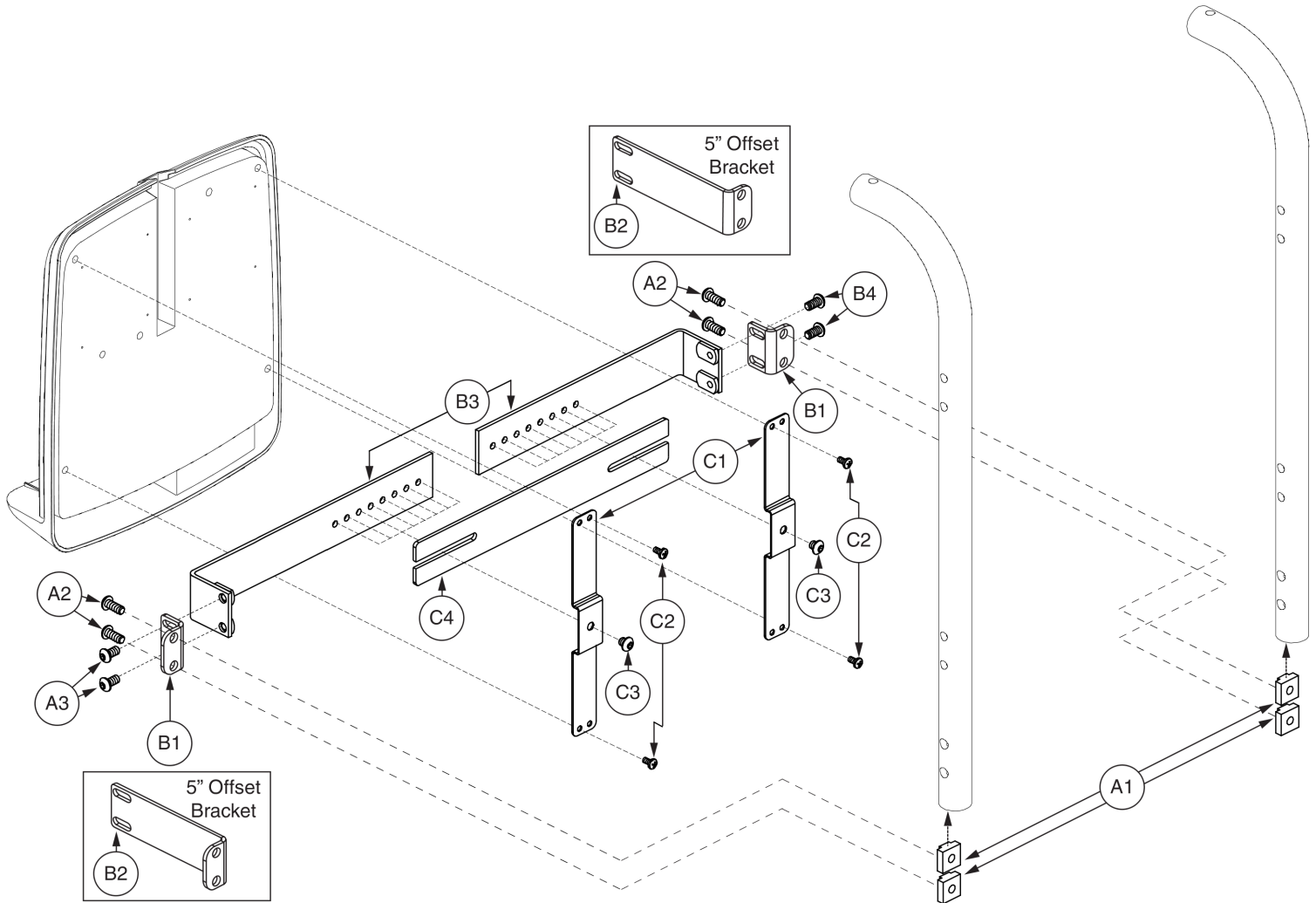
10.2. Electronics Box Mounting Bracket Assy's





Item	Part No.	Name	Qty
A1 - B4	FRMASMB16407	MOUNTING BRACKET,ASSY,ELECTRONICS BOX,18"-24",OFFSET,W/MOUNTING HARDWARE	1
A1	DWR1360A002	T-NUT,1/4-20 X 0.5625",A-1360-002	4
A2	SCRASBH1096	SCREW,BHSCS,BLACK ZINC,1/4-20 X 0.625",GRADE 8,W/NYLON PATCH,A-1360-009	4
A3	INFINFB2661	INSTALLATION INSTRUCTION,ELECTRONIC BOX OFFSET BRACKET	1
B1 - B4		MOUNTING BRACKET,ASSY,ELECTRONICS BOX,18"-24",OFFSET	2
B1	DWR1358C041	MOUNTING BRACKET,BACK CANE,1" OFFSET ENDPIECE	1
B2	DWR1358C042	MOUNTING BRACKET,BACK CANE,5" OFFSET ENDPIECE,C-1358-042	1
B3		MOUNTING BRACKET WELDMENT,BACK CANE,18-24",OFFSET,D-1358-027	1
B4	SCRASBH1148	SCREW,BHSCS,BLACK ZINC,1/4-20 X 0.50",W/PATCH	2
C1 - C3		HARDWARE,ASSY,10"W-24"W,ELECTRONICS BOX BRACKET	1
C1	DWR1358B017	SLIDE BRACKET,BACK CANE,BLACK,STEEL,1.00"W X 7.60"L	2
C2	SCRPPH1353	SCREW,PPH,BLACK ZINC,8-32 X 0.3125"	4
C3	SCRASBH1203	SCREW,BHSCS,BLACK ZINC,1/4-20 X 0.250",W/NYLON PATCH	2

10.2. Electronics Box Mounting Bracket Assy's

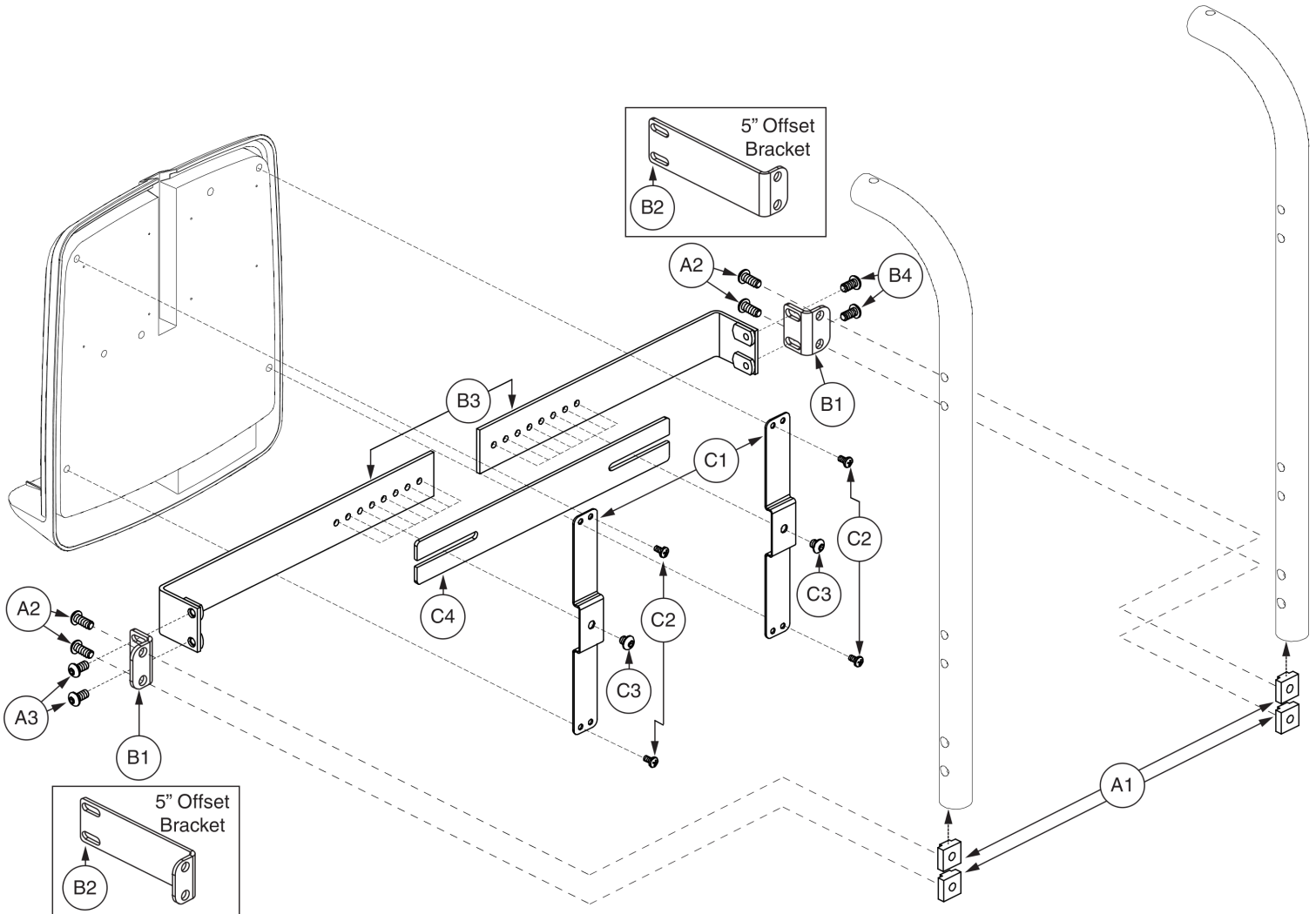


Electronic Box Mounting Brackets, 22"-28"W, Offset



Item	Part No.	Name	Qty
A1 - B4	FRMASMB17094	MOUNTING BRACKET,ASSY,ELECTRONIC BOX,22"-28",OFFSET,W/MOUNTING HARDWARE	1
A1	DWR1360A002	T-NUT, 1/4-20 X 0.5625",A-1360-002	4
A2	SCRASBH1096	SCREW,BHSCS,BLACK ZINC, 1/4-20 X 0.625",GRADE 8,W/NYLON PATCH,A-1360-009	4
A3	INFINFB2661	INSTALLATION INSTRUCTION,ELECTRONIC BOX OFFSET BRACKET	1
B1 - B4		MOUNTING BRACKET,ASSY,ELECTRONIC BOX,22"-28"	2
B1	DWR1358C041	MOUNTING BRACKET,BACK CANE,1" OFFSET ENDPIECE	1
B2	DWR1358C042	MOUNTING BRACKET,BACK CANE,5" OFFSET ENDPIECE,C-1358-042	1
B3		MOUNTING BRACKET WELDMENT,BACK CANE,22"-28",OFFSET	1
B4	SCRASBH1148	SCREW,BHSCS,BLACK ZINC, 1/4-20 X 0.50",W/PATCH	2
C1	DWR1358B017	SLIDE BRACKET,BACK CANE,BLACK,STEEL,1.00"W X 7.60"L	2
C2	SCRPPH1353	SCREW,PPH,BLACK ZINC,8-32 X 0.3125"	4
C3	SCRASBH1157	SCREW,BHSCS,BLACK ZINC, 1/4-20 X 0.375",W/NYLON PATCH	4
C4	DWR1358C040	EXTENDER BRACKET,BACK SUPPORT,10.75"L,C-1358-040	1

10.2. Electronics Box Mounting Bracket Assy's



Item	Part No.	Name	Qty
A1 - B4	FRMASMB16409	MOUNTING BRACKET,ASSY,ELECTRONICS BOX,26"-32",OFFSET,W/MOUNTING HARDWARE	1
A1	DWR1360A002	T-NUT, 1/4-20 X 0.5625",A-1360-002	4
A2	SCRASBH1096	SCREW,BHSCS,BLACK ZINC, 1/4-20 X 0.625",GRADE 8,W/NYLON PATCH,A-1360-009	4
A3	INFINFB2661	INSTALLATION INSTRUCTION,ELECTRONIC BOX OFFSET BRACKET	1
B1 - B4	FRMASMB16414	MOUNTING BRACKET,ASSY,ELECTRONICS BOX,26"-32",OFFSET	2
B1	DWR1358C041	MOUNTING BRACKET,BACK CANE,1" OFFSET ENDPIECE	1
B2	DWR1358C042	MOUNTING BRACKET,BACK CANE,5" OFFSET ENDPIECE,C-1358-042	1
B3		MOUNTING BRACKET WELDMENT,BACK CANE,26-32",OFFSET	1
B4	SCRASBH1148	SCREW,BHSCS,BLACK ZINC, 1/4-20 X 0.50",W/PATCH	2
C1 - C4	HDWASMB1183	HARDWARE,ASSY,24"W-32"W,ELECTRONICS BOX BRACKET	1
C1	DWR1358B017	SLIDE BRACKET,BACK CANE,BLACK,STEEL,1.00"W X 7.60"L	2
C2	SCRPPH1353	SCREW,PPH,BLACK ZINC,8-32 X 0.3125"	4
C3	SCRASBH1157	SCREW,BHSCS,BLACK ZINC, 1/4-20 X 0.375",W/NYLON PATCH	4
C4	DWR1358C040	EXTENDER BRACKET,BACK SUPPORT,10.75"L,C-1358-040	1

11. Owner's & Decal Packages



# Owner's Package

Item	Part No.	Name	Qty
N/A	INFMANU4082	MANUAL,BASIC OPERATING INSTRUCTIONS,TRU-BALANCE BARIATRIC TILT	1
N/A	INFMANU4796	MANUAL,BASIC OPERATING INSTRUCTIONS,TRU-BALANCE BARIATRIC TILT, FRENCH CANADIAN	1
N/A	SCRASBH1095	SCREW,BHSCS,BLACK ZINC,1/4-20 X 1.50",GRADE 8	4
N/A	NUTNJAM1014	NUT,NYLOCK JAM,BLACK ZINC,1/4-20	4
N/A	SCRSETS1088	SCREW,SET,BLACK ZINC,10-32 X 0.1875",W/NYLON PATCH	2
N/A		NUT,ZIP TWIST,BLACK PHOSPHATE,STEEL,0.375" W,0.105" H,0.188"STUD DIA.	10
N/A	DWR1360A002	T-NUT,1/4-20 X 0.5625",A-1360-002	2
N/A	DWR1360A003	T-NUT,1/4-20 X 0.875",A-1360-003	2
N/A	DWR1360A004	T-NUT,5/16-18 X 0.875",A-1360-004	2
N/A	INFINFB2778	MANUAL,PRODUCT INSERT SHEET,UPDATED MOUNTING BLOCK,ENGLISH/FRENCH CANADIAN	1

11. Owner's & Decal Packages

Image does not exist

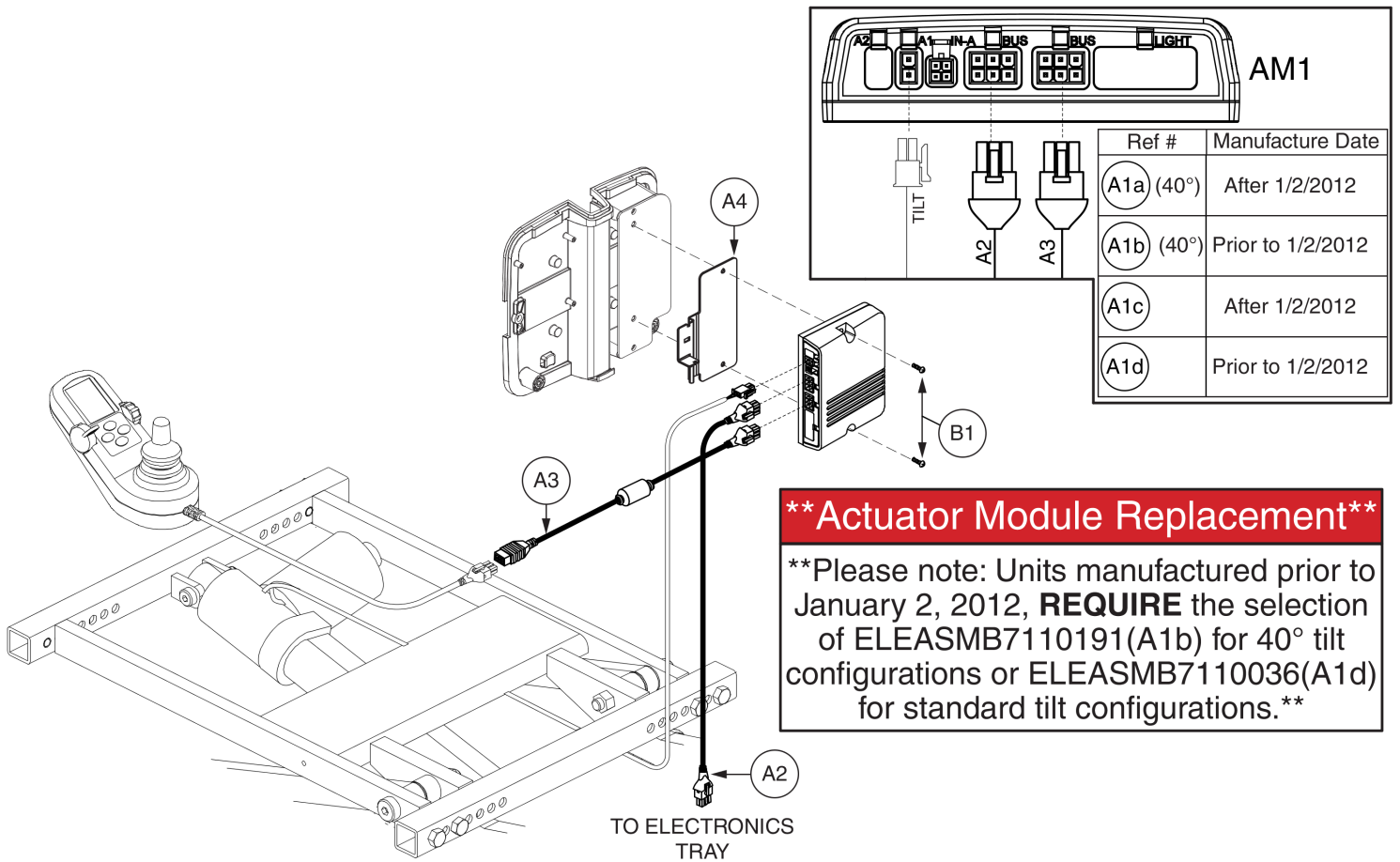


## Decal Package, Bariatric Tilt



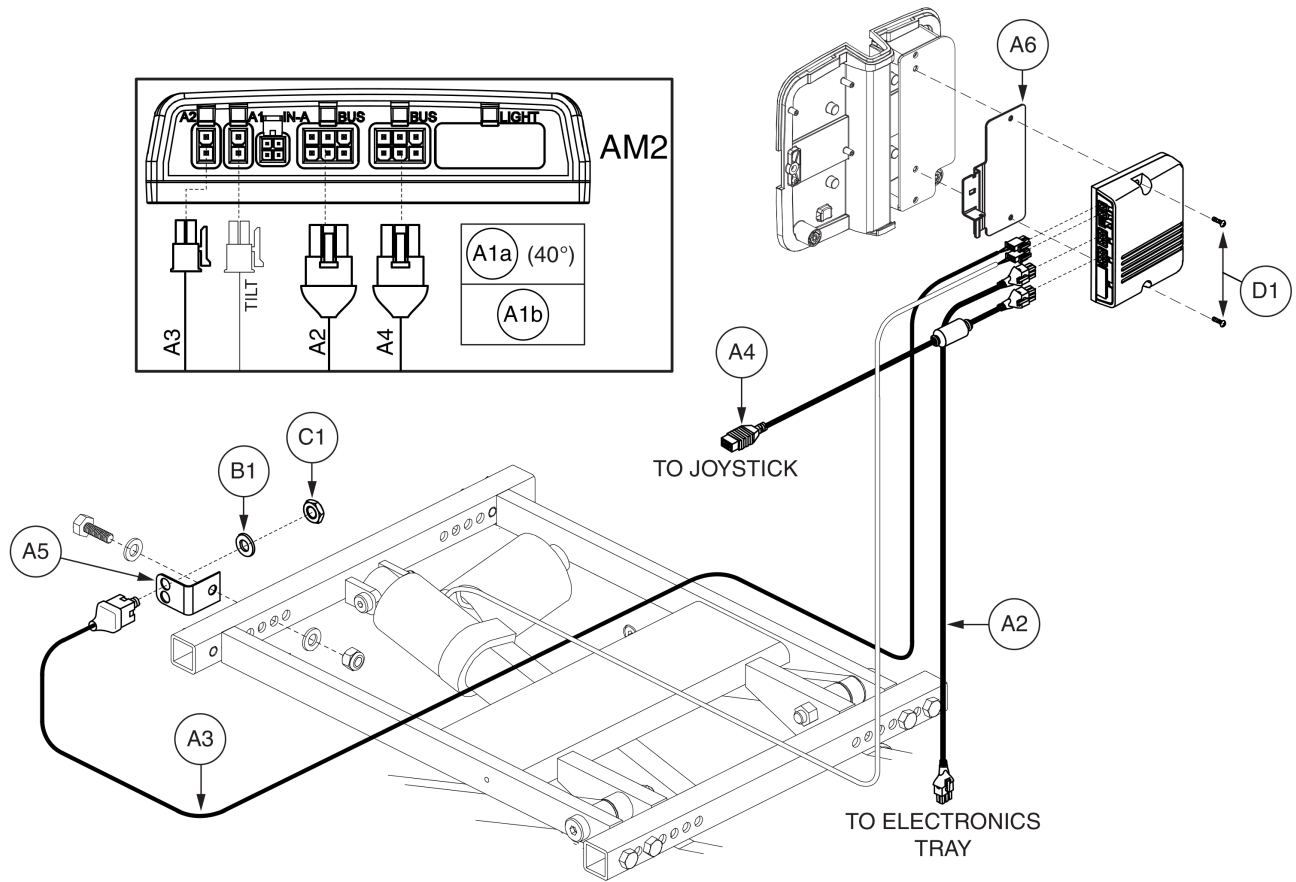
Item	Part No.	Name	Qty
N/A		DECAL,ASSY,TRU-BALANCE BARIATRIC TILT	1
N/A		DECAL,WARNING,DO NOT TOUCH/SCISSOR CRUSH POINT/CAUTION/READ OWNER'S MANUAL,L-1235-712	4
N/A	DWR1234L414	HANG TAG,ATTENTION,CENTER OF GRAVITY ADJUSTMENT,L-1234-414	1
N/A	DWR1235L199	DECAL,READ OWNER'S MANUAL,ONLY AN AUTHORIZED TECHNICIAN CAN ADJUST THE SEAT,L-1235-199	2

1. Q-Logic / NE+ Tilt thru Joystick



Item	Part No.	Name	Qty
A1a - A4	ELEASMB7195	ELECTRONIC,ASSY,NE+/Q-LOGIC THRU AM1,TRU-BALANCE BARIATRIC TILT,40°, (CONFIGURATION # 20)	1
A1a	ELEASMB7196	ELECTRONIC,ASSY,AM1 MODULE,W/PROGRAMMING,40°,TRUBALANCE BARIATRIC TILT,(CONFIGURATION #20)	1
A1b - A4	ELEASMB7110371	ELECTRONIC,ASSY,NE+/Q-LOGIC THRU AM1 (FW 1.16),TRUBALANCE BARIATRIC TILT,40°, (CONFIGURATION # 20)	1
A1b	ELEASMB7110191	ELECTRONIC,ASSY,AM1 MODULE (FW 1.16),W/PROGRAMMING,40°,TRU-BALANCE BARIATRIC TILT,(CONFIGURATION #20)	1
A1c - A4	ELEASMB7218	ELECTRONIC,ASSY,NE+/Q-LOGIC THRU AM1,TILT,TRU-BALANCE BARIATRIC TILT,(CONFIGURATION # 20)	1
A1c	ELEASMB6043	AM1,TILT ONLY,(CONFIG.#20)	1
A1d - A4	ELEASMB7110370	ELECTRONIC,ASSY,NE+/Q-LOGIC THRU AM1 (FW 1.16),TILT,TRUBALANCE BARIATRIC TILT,(CONFIGURATION # 20)	1
A1d	ELEASMB7110036	AM1 MODULE(FW 1.16),W/PROGRAMMING,TB2 TILT,(CONF. #20)	1
A2	DWR1111H047	HARNESS,BUS CABLE,1.0 METER,FEMALE/FEMALE,H-1111-047,(CURTIS:17881302)	1
A3	DWR1111H065	ELECTRONIC,HARNESS,BUS EXTENSION CABLE,CURTIS,0.410 METER,MALE/FEMALE,H-1111-065,(CURTIS: 17881303)	1
A4	MEC138637	BRACKET,STRAIN RELIEF,AM1	1
B1	SCRPPH1080	SCREW,PPH,BLACK ZINC,8-32 X 0.75"	2

1. Q-Logic / NE+ Tilt thru Joystick

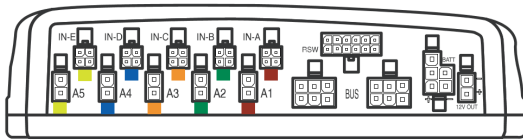


Item	Part No.	Name	Qty
A1a - A8	ELE122117	ELECTRONIC,ASSY,NE PLUS,TRU-BALANCE BARIATRIC TILT,40°,TILT/AFP,THRU JOYSTICK,(CONFIGURATION # 23)	1
A1a	ELE122116	ELECTRONIC,ASSY,NE+ AM2 MODULE,W/PROGRAMMING,TRUBALANCE BARIATRIC TILT,40°,TILT/POWER FOOT PLATFORM,(CONFIGURATION # 23)	1
A1b - A8	ELE122740	ELECTRONIC,ASSY,NE PLUS,TRU-BALANCE BARIATRIC TILT,TILT/AFP,THRU JOYSTICK,(CONFIGURATION # 23)	1
A1b	ELEASMB6433	AM2,TILT W/AFP,(CONFIG.#23)	1
A2	DWR1111H047	HARNESS,BUS CABLE,1.0 METER,FEMALE/FEMALE,H-1111-047,(CURTIS:17881302)	1
A3	DWR1265H007	ELECTRONIC,HARNESS,INDEPENDENT ELR,CURTIS,TRU-BALANCE TILT 2,RIGHT,H-1265-007	1
A4	DWR1111H065	ELECTRONIC,HARNESS,BUS EXTENSION CABLE,CURTIS,0.410 METER,MALE/FEMALE,H-1111-065,(CURTIS: 17881303)	1
A5	DWR1303B026	ELECTRICAL CONNECTION BRACKET,ARTICULATING LEGREST	1
A6	MEC138637	BRACKET,STRAIN RELIEF,AM1	1
*A7	PLSTIE1004	TIE WRAP,BLACK,8"	5
*A8		ELECTRONIC,WRAP,3/8"D,1 FT,SPIRAL	1
B1	WASSTND1155	WASHER,FLAT,STAINLESS STEEL,.375"ID X .615"OD X .025"TH	1
C1	NUTJAM1032	NUT,JAM,THIN,STAINLESS STEEL,3/8-32	1
D1	SCRPPH1080	SCREW,PPH,BLACK ZINC,8-32 X 0.75"	2

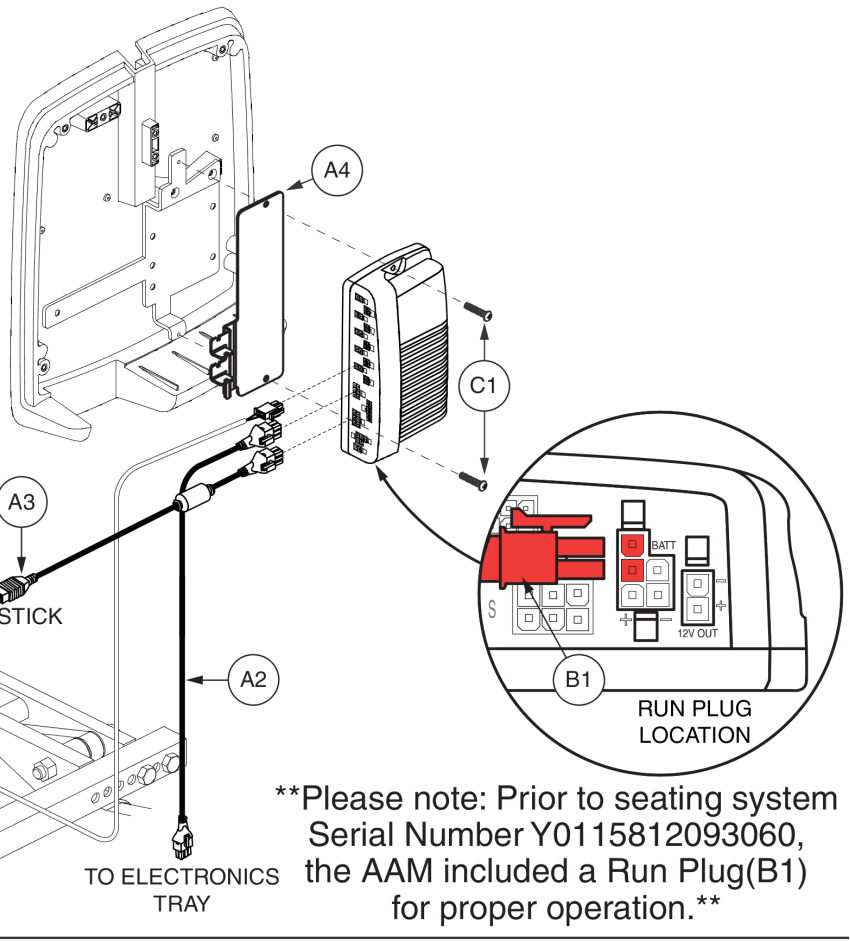
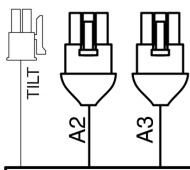
1. Q-Logic / NE+ Tilt thru Joystick

**\*\* Actuator Module Replacement\*\***

\*\*Please note: Units manufactured prior to January 2, 2012, **REQUIRE** the selection of ELEASMB7110189(A1b) for 40° tilt configurations or ELEASMB7110044(A1d) for standard tilt configurations.\*\*



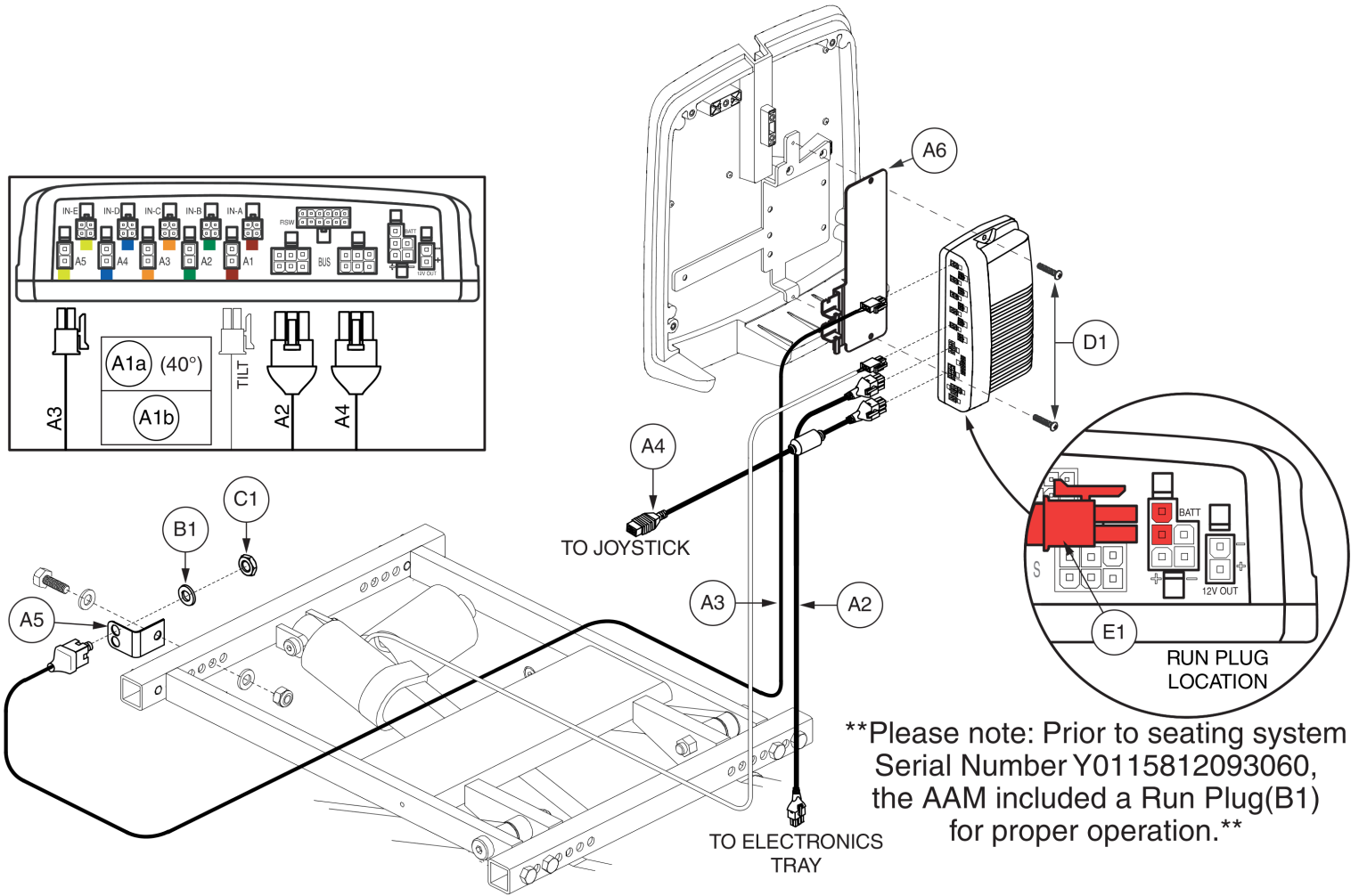
Ref #	Manufacture Date
(A1a) (40°)	After 1/2/2012
(A1b) (40°)	Prior to 1/2/2012
(A1c)	After 1/2/2012
(A1d)	Prior to 1/2/2012



\*\*Please note: Prior to seating system Serial Number Y0115812093060, the AAM included a Run Plug(B1) for proper operation.\*\*

Item	Part No.	Name	Qty
A1a - A4	ELEASMB7194	ELECTRONIC,ASSY,CURTIS/AAM,TRU-BALANCE BARIATRIC TILT,40°,(CONFIGURATION # 20)	1
A1a	ELEASMB7198	ELECTRONIC,ASSY,CURTIS AAM MODULE,W/ PROGRAMMING,TRUBALANCE BARIATRIC TILT,(CONFIGURATION # 20)	1
A1b - A4	ELEASMB7110369	ELECTRONIC,ASSY,CURTIS/AAM (FW 1.45),TRU-BALANCE BARIATRIC TILT,40°,(CONFIGURATION # 20)	1
A1b	ELEASMB7110189	ELECTRONIC,ASSY,CURTIS AAM MODULE (FW 1.45),W/ PROGRAMMING,BARIATRIC TILT,(CONFIGURATION # 20)	1
A1c - A4	ELEASMB7217	ELECTRONIC,ASSY,CURTIS/AAM,TILT,TRU-BALANCE BARIATRIC TILT,(CONFIGURATION # 20)	1
A1c	ELEASMB5628	AAM,TILT ONLY,(CONFIG.#20)	1
A1d - A4	ELEASMB7110368	ELECTRONIC,ASSY,CURTIS/AAM (FW 1.45),TILT,TRU-BALANCE BARIATRIC TILT,(CONFIGURATION # 20)	1
A1d	ELEASMB7110044	AAM(FW 1.45),TILT,(CONFIG. #20)	1
A2	DWR1111H047	HARNESS,BUS CABLE,1.0 METER,FEMALE/FEMALE,H-1111-047,(CURTIS:17881302)	1
A3	DWR1111H065	ELECTRONIC,HARNESS,BUS EXTENSION CABLE,CURTIS,0.410 METER,MALE/FEMALE,H-1111-065,(CURTIS: 17881303)	1
A4	MEC138556	BRACKET,STRAIN RELIEF,AAM	1
B1	DWR1361H030	ELECTRONIC,HARNESS,RUN PLUG,MALE,MERCURY SWITCH,SWITCH-IT CONTROLLER,H-1361-030	1
C1	SCRPPH1080	SCREW,PPH,BLACK ZINC,8-32 X 0.75"	2

1. Q-Logic / NE+ Tilt thru Joystick



\*\*Please note: Prior to seating system Serial Number Y0115812093060, the AAM included a Run Plug(B1) for proper operation.\*\*

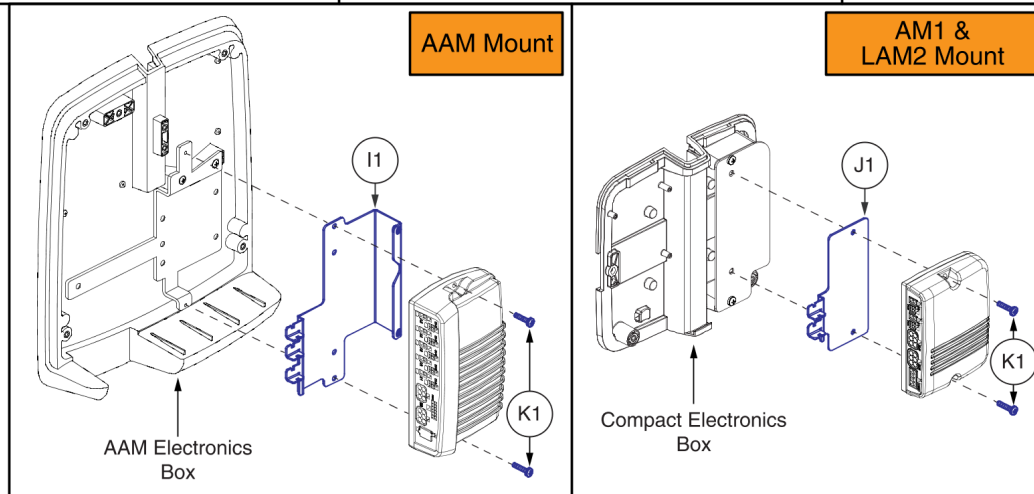
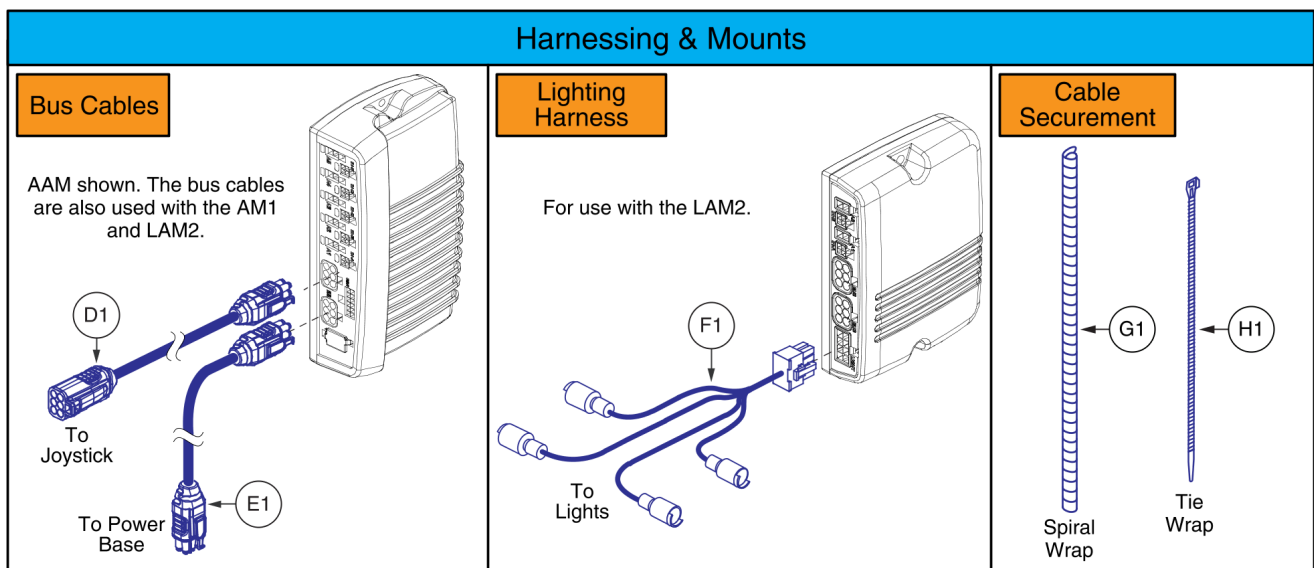
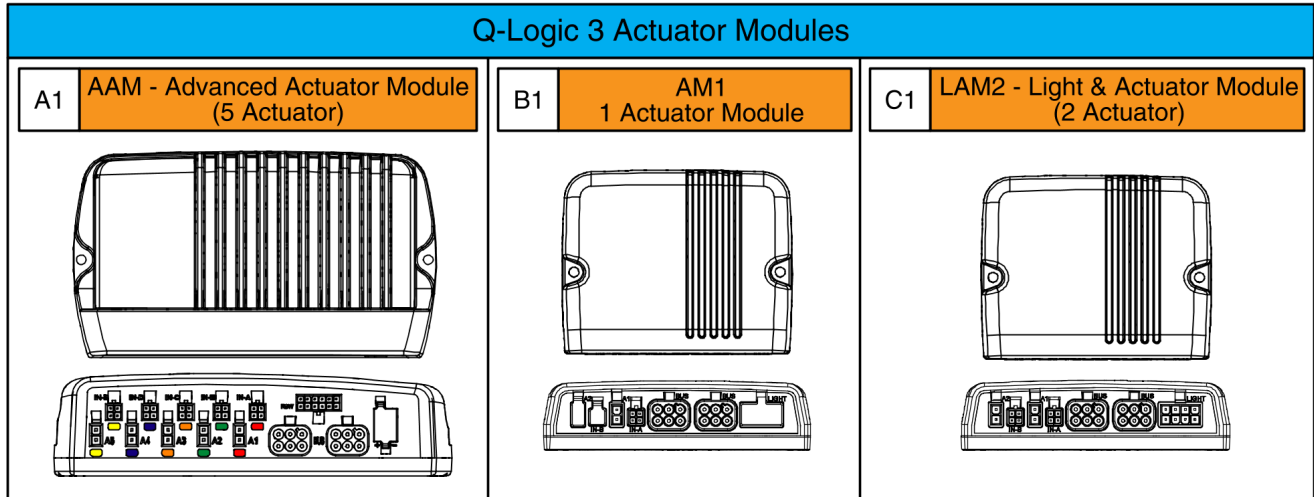


Item	Part No.	Name	Qty
A1a - A8	ELE122118	ELECTRONIC,ASSY,CURTIS/AAM,TRU-BALANCE BARIATRIC TILT,40°,TILT/AFP,THRU JOYSTICK,(CONFIGURATION # 23)	1
A1a	ELE122120	ELECTRONIC,ASSY,CURTIS AAM MODULE,W/PROGRAMMING,BARIATRIC TILT,40°,TILT/POWER FOOT PLATFORM,(CONF.#23)	1
A1b - A8	ELE122739	ELECTRONIC,ASSY,CURTIS/AAM,TRU-BALANCE BARIATRIC TILT,TILT/AFP,THRU JOYSTICK,(CONFIGURATION # 23)	1
A1b	ELEASMB5631	AAM,TILT W/AFP,(CONFIG.#23)	1
A2	DWR1111H047	HARNESS,BUS CABLE,1.0 METER,FEMALE/FEMALE,H-1111-047,(CURTIS:17881302)	1
A3	DWR1265H007	ELECTRONIC,HARNESS,INDEPENDENT ELR,CURTIS,TRU-BALANCE TILT 2,RIGHT,H-1265-007	1
A4	DWR1111H065	ELECTRONIC,HARNESS,BUS EXTENSION CABLE,CURTIS,0.410 METER,MALE/FEMALE,H-1111-065,(CURTIS: 17881303)	1
A5	DWR1303B026	ELECTRICAL CONNECTION BRACKET,ARTICULATING LEGREST	1
A6	MEC138556	BRACKET,STRAIN RELIEF,AAM	1
*A7	PLSTIE1004	TIE WRAP,BLACK,8"	5
*A8		ELECTRONIC,WRAP,3/8"D,1 FT,SPIRAL	1
B1	WASSTND1155	WASHER,FLAT,STAINLESS STEEL,.375"ID X .615"OD X .025"TH	1
C1	NUTJAM1032	NUT,JAM,THIN,STAINLESS STEEL,3/8-32	1
D1	SCRPPH1080	SCREW,PPH,BLACK ZINC,8-32 X 0.75"	2
E1	DWR1361H030	ELECTRONIC,HARNESS,RUN PLUG,MALE,MERCURY SWITCH,SWITCH-IT CONTROLLER,H-1361-030	1

### 1. Q-Logic / NE+ Tilt thru Joystick

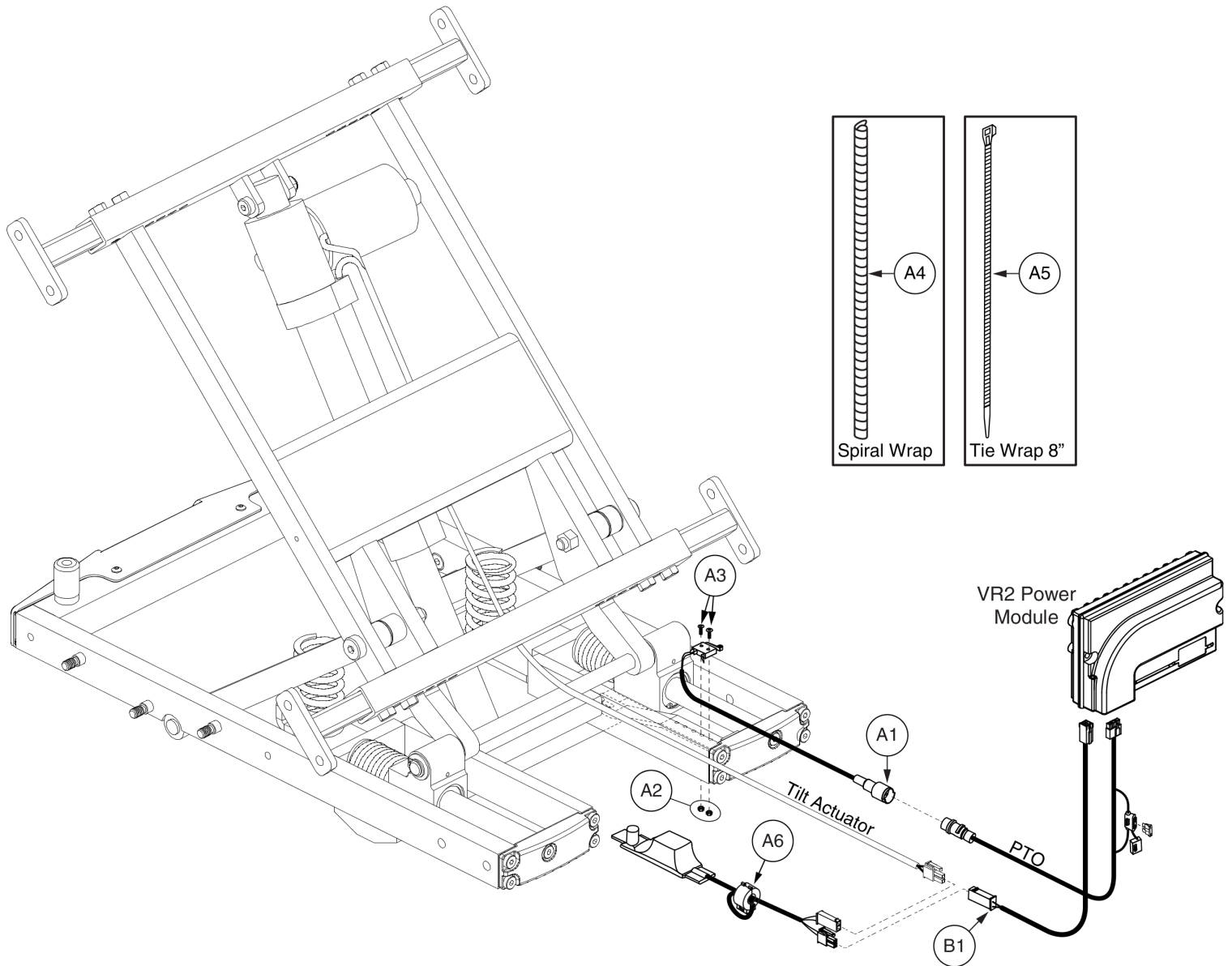
**Please Note:**

- A Pre-programmed, Q-Logic 3 Joystick mounted SD Card is required when replacing or retrofitting actuator module A1, B1, or C1 on a unit.
- The SD cards are not shown. Refer to the power base SD Card page for selection and additional details.
- Contact Technical Service for more information.



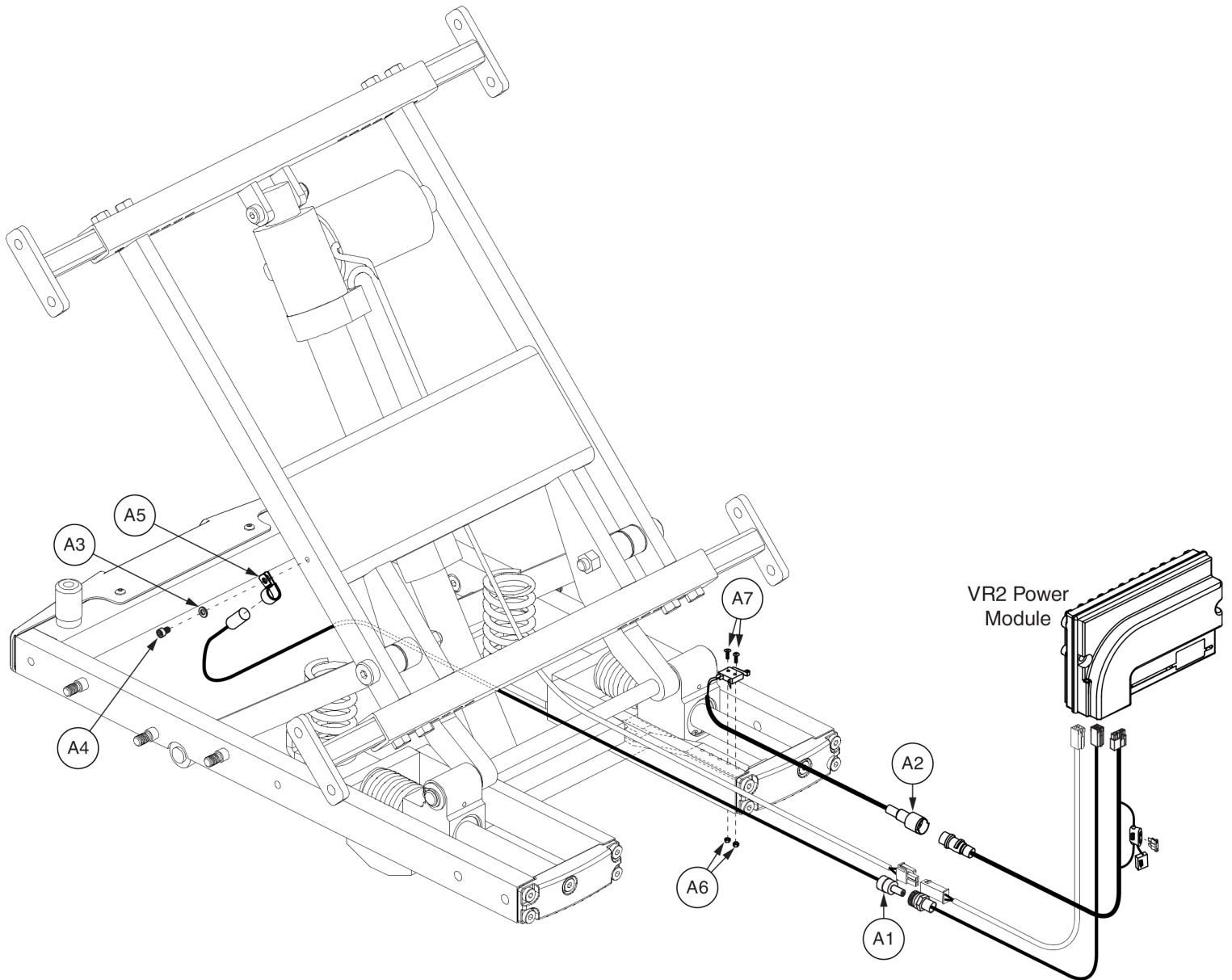
Item	Part No.	Name	Qty
A1	CTL143982	ADVANCED ACTUATOR MODULE,Q-LOGIC 3,5 ACTUATOR,(CURTIS: 17952700-5009)	1
B1	CTL143983	ACTUATOR MODULE, Q-LOGIC 3, AM1, 1 ACTUATOR, (CURTIS: 17963700-1009)	1
C1	CTL143985	ACTUATOR MODULE,Q-LOGIC 3,LAM2,2 ACTUATOR AND LIGHTS,(CURTIS: 17963700-2109)	1
D1	HAR144005	HARNESS, BUS EXTENSION CABLE, Q-LOGIC 3, 0.410 METER,MALE/FEMALE, (CURTIS: 17881362-01-01)	1
E1	HAR144000	HARNESS, BUS CABLE, Q-LOGIC 3, 1.1 METER, FEMALE / FEMALE, (CURTIS: 17881361-01-01)	1
F1	ELE168113	HARNESS, FULL LIGHT, LED, SEATING SYSTEM W/LIFT, QL3	1
G1		ELECTRONIC,WRAP,3/8"D,1 FT, SPIRAL	1
H1	PLSTIE1004	TIE WRAP,BLACK,8"	5
I1	MEC156032	AAM STRAIN RELIEF,Q-LOGIC 3,SEATBACK BRACKET ASSEMBLY	1
J1	MEC155983	AM STRAIN RELIEF, Q LOGIC 3	1
K1	SCRPPH1153	SCREW, PAN HEAD, TYPE H, M4X0.7 X 20, FT, ISO 7045, CL 4.8, BZ	2

2. VR2 Tilt thru Joystick



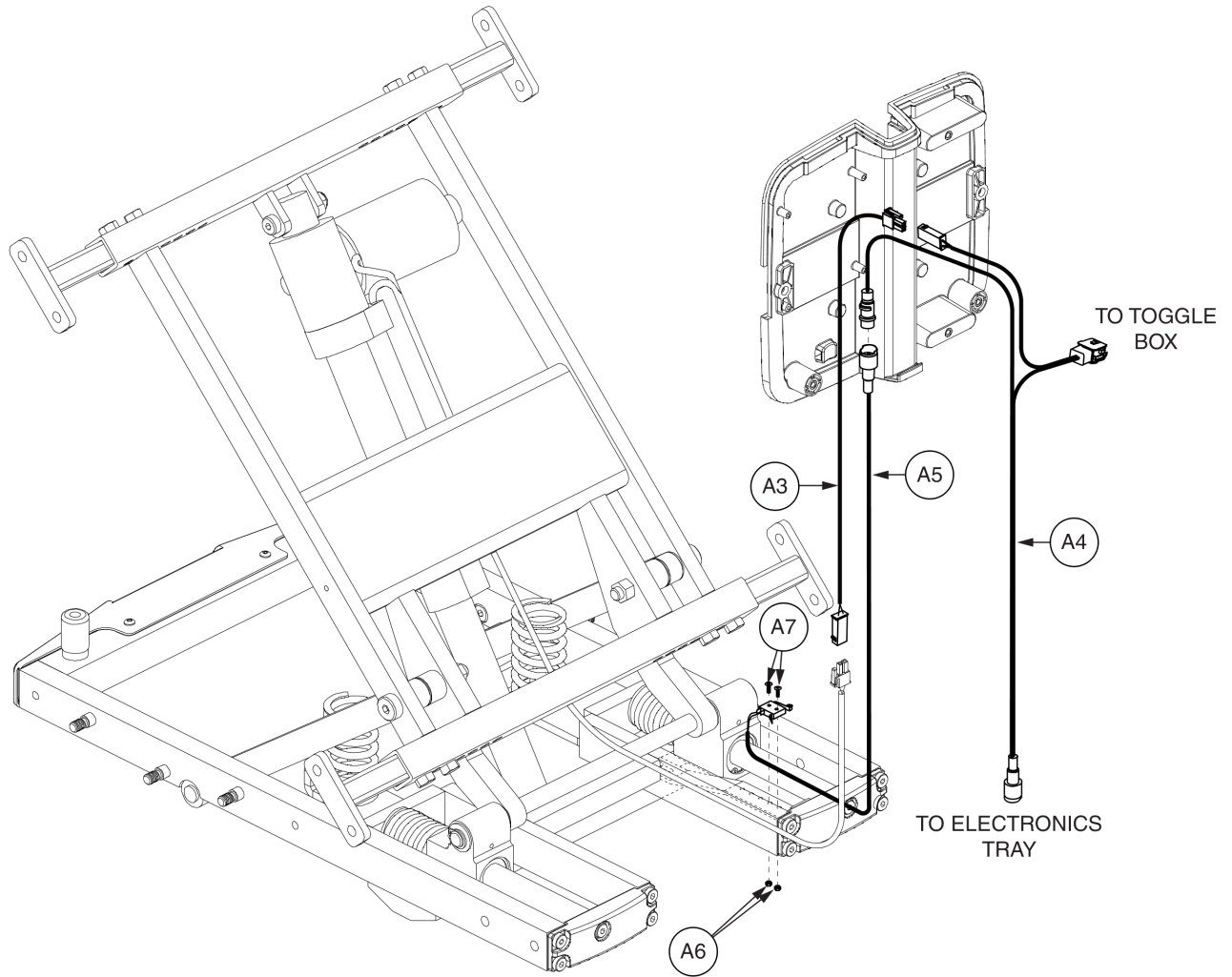
Item	Part No.	Name	Qty
A1 - A6	ELE121727	ELECTRONIC,ASSY,VR2,THRU JOYSTICK,TRU-BALANCE BARIATRIC TILT	1
A1	DWR1265H039	HARNESS,MICROSWITCH INHIBIT,TILT	1
A2	NUTNYLK1106	NUT,NYLOCK,BLACK ZINC,2-56,GRADE 2	2
A3	SCRPFH1076	SCREW,PFH,STAINLESS STEEL,2-56 X 0.50"	2
A4		ELECTRONIC,WRAP,3/8"D,1 FT, SPIRAL	1
A5	PLSTIE1004	TIE WRAP,BLACK,8"	3
A6	ELE153301	ELECTRICAL,ASSEMBLY,REAC LIFT BACK DRIVE PCBA & INPUT/OUTPUT HARNESS	1
B1	DWR1361H076	ELECTRONIC,HARNESS,TRU-BALANCE 2 POWER TILT/RECLINE ACTUATOR,VR2,H-1361-076	1

2. VR2 Tilt thru Joystick



Item	Part No.	Name	Qty
A1 - A9		ELECTRONIC,ASSY,VR2,THRU JOYSTICK,40°,TRU-BALANCE BARIATRIC TILT	1
A1		ELECTRONIC,MERCURY SWITCH W/HARNESS,RECLINE INHIBIT DELAY,H-1010-034	1
A2	DWR1265H039	HARNESS,MICROSWITCH INHIBIT,TILT	1
A3	WASSAE1005	WASHER,FLAT,ZINC,#10,0.2812" ID X 0.50" OD X 0.0468" TH,SAE	1
A4	SCRSHCS1137	SCREW,SHCS,BLACK ZINC,10-32 X 0.625"	1
A5	CLPCBLC1025	CLAMP,CABLE,STEEL,0.50" DIA,RUBBER COATED	1
A6	NUTNYLK1106	NUT,NYLOCK,BLACK ZINC,2-56,GRADE 2	2
A7	SCRPFH1076	SCREW,PFH,STAINLESS STEEL,2-56 X 0.50"	2
A8	PLSTIE1004	TIE WRAP,BLACK,8"	8
A9		ELECTRONIC,WRAP,3/8"D,1 FT,SPIRAL	1

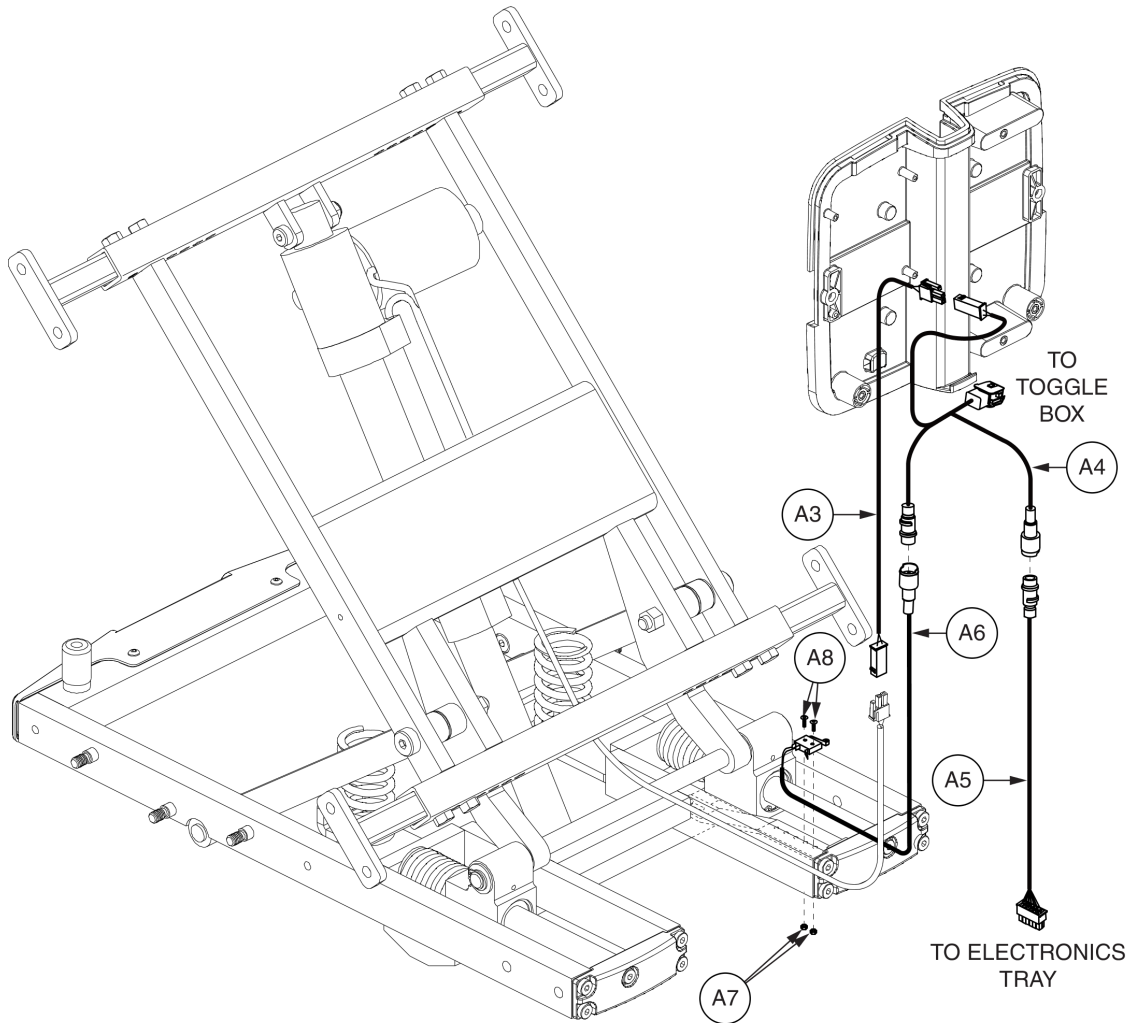
### 3. Tilt thru Toggle





Item	Part No.	Name	Qty
A1 - A7	ELEASMB6395	REMOTE PLUS/VS/VR2/Q-LOGIC/NE+, THRU HIGH POWER TOGGLE, TB2 TILT	1
A1	PLSTIE1004	TIE WRAP, BLACK, 8"	5
A2		ELECTRONIC, WRAP, 3/8"D, 1 FT, SPIRAL	1
A3	DWR1265H028	HARNESS, TAPE SWITCH RELAY BY-PASS, TILT	1
A4	DWR1265H012	HARNESS, POWER/INHIBIT EXTENSION, FOR TOGGLE, TILT	1
A5	DWR1265H039	HARNESS, MICROSWITCH INHIBIT, TILT	1
A6	NUTNYLK1106	NUT, NYLOCK, BLACK ZINC, 2-56, GRADE 2	2
A7	SCRPFH1076	SCREW, PFH, STAINLESS STEEL, 2-56 X 0.50"	2

3. Tilt thru Toggle



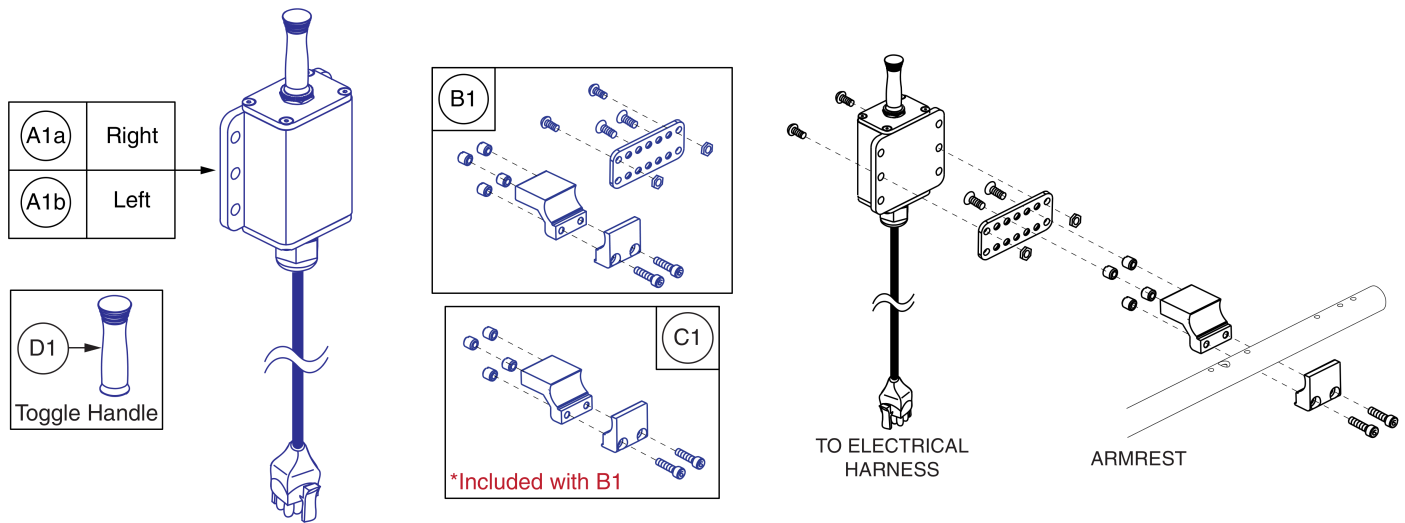
# NE Tilt thru Toggle Electronics, Bariatric Tilt



Item	Part No.	Name	Qty
A1 - A8	ELEASMB7093	ELECTRONIC,ASSY,NE,THRU HIGH POWER TOGGLE	1
A1	PLSTIE1004	TIE WRAP,BLACK,8"	5
A2		ELECTRONIC,WRAP,3/8"D,1 FT,SPIRAL	1
A3	DWR1265H028	HARNESS,TAPE SWITCH RELAY BY-PASS,TILT	1
A4	DWR1265H052	ELECTRONIC,HARNESS,TILT THROUGH TOGGLE,NE,H-1265-052	1
A5	DWR1265H057	ELECTRONIC,HARNESS,PTO ONLY,NE,H-1265-057	1
A6	DWR1265H039	HARNESS,MICROSWITCH INHIBIT,TILT	1
A7	NUTNYLK1106	NUT,NYLOCK,BLACK ZINC,2-56,GRADE 2	2
A8	SCRPFH1076	SCREW,PFH,STAINLESS STEEL,2-56 X 0.50"	2

## 3. Tilt thru Toggle

- Only serviceable components contain callouts. For components without callouts, the entire assembly must be selected.



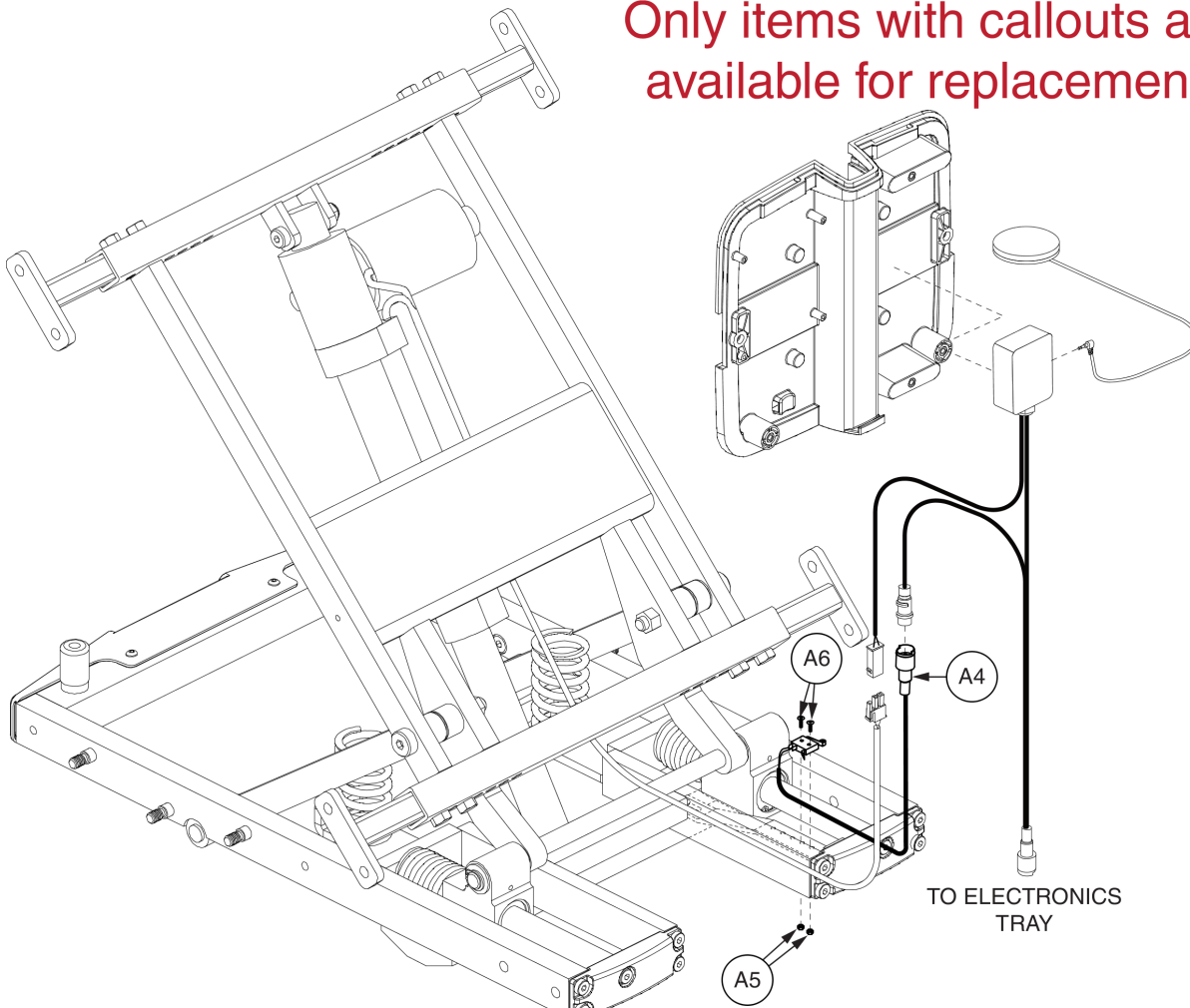
# High Power Toggle and Mount, Tubular Arms



Item	Part No.	Name	Qty
A1a - B1	ELEASMB5157	ELECTRONIC,ASSY,HIGH POWER TOGGLE BOX,W/MOUNTING BRACKET,RIGHT	1
A1b - B1	ELEASMB5156	ELECTRONIC,ASSY,HIGH POWER TOGGLE BOX,W/MOUNTING BRACKET,LEFT	1
A1a	ELEASMB4950	ELECTRONIC,ASSY,TOGGLE BOX,MULTIPOSITIONAL,QUANTUM,RIGHT,H-1000-178	1
A1b	ELEASMB4949	ELECTRONIC,ASSY,TOGGLE BOX,MULTIPOSITIONAL,QUANTUM,LEFT,H-1000-177	1
B1	FRMASMB11354	MOUNTING BRACKET,ASSY,HIGH POWER TOGGLE BOX,W/MOUNTING HARDWARE,MULTI-POSITIONAL	1
C1	FRMASMB8929	MOUNTING BRACKET,ASSY,TOGGLE BOX,W/THREADED INSERTS	1
D1	DWR1000C390	KNOB,BLACK,RUBBER,TOGGLE BOX,C-1000-390	1

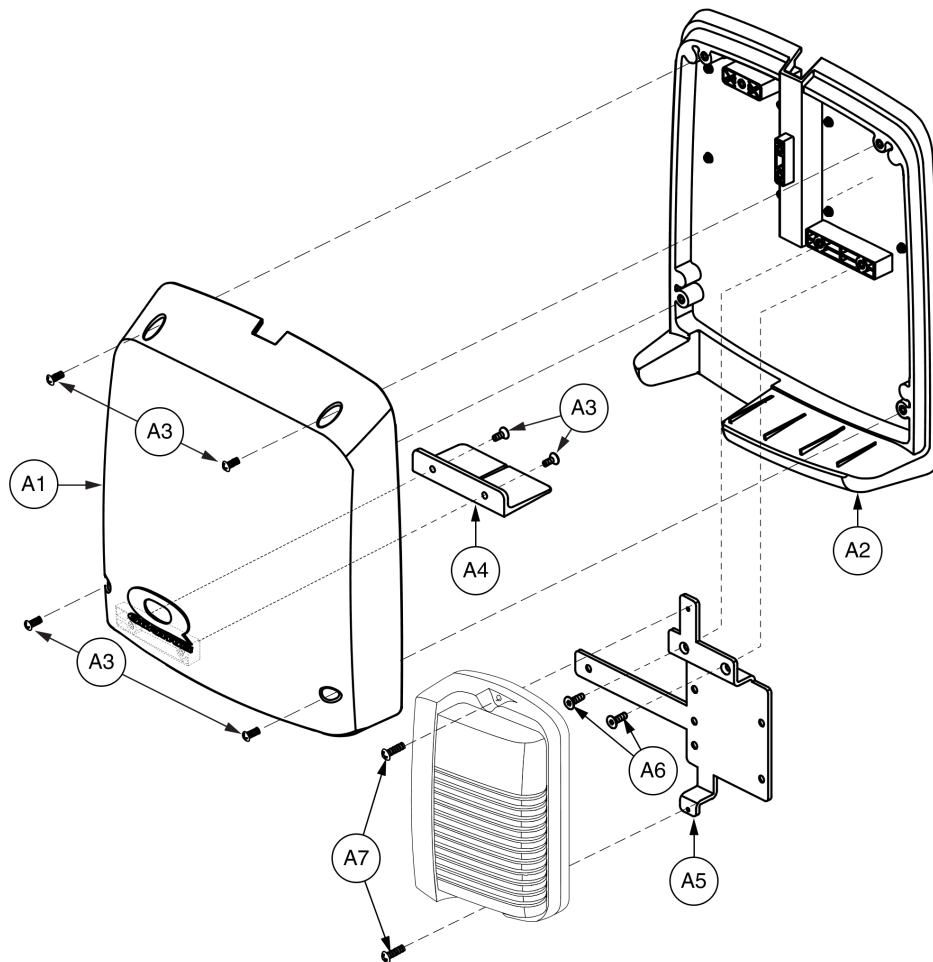
4. Tilt thru Single Switch (Remote Plus)

Only items with callouts are available for replacement.



Item	Part No.	Name	Qty
A4	DWR1265H039	HARNES,MICROSWITCH INHIBIT,TILT	1
A5	NUTNYLK1106	NUT,NYLOCK,BLACK ZINC,2-56,GRADE 2	2
A6	SCRPFH1076	SCREW,PFH,STAINLESS STEEL,2-56 X 0.50"	2

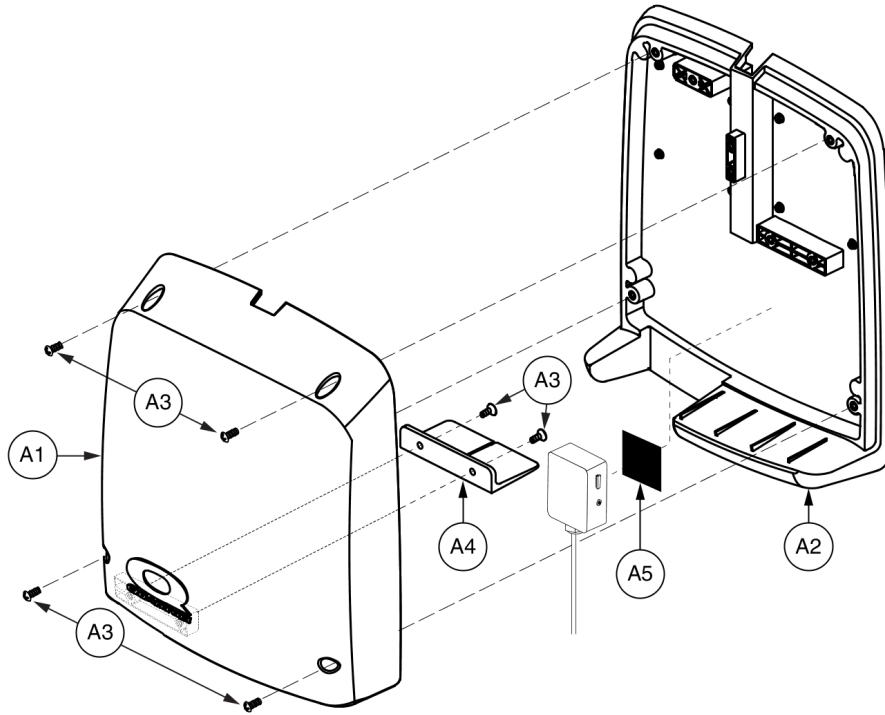
*Bracket Mounted*





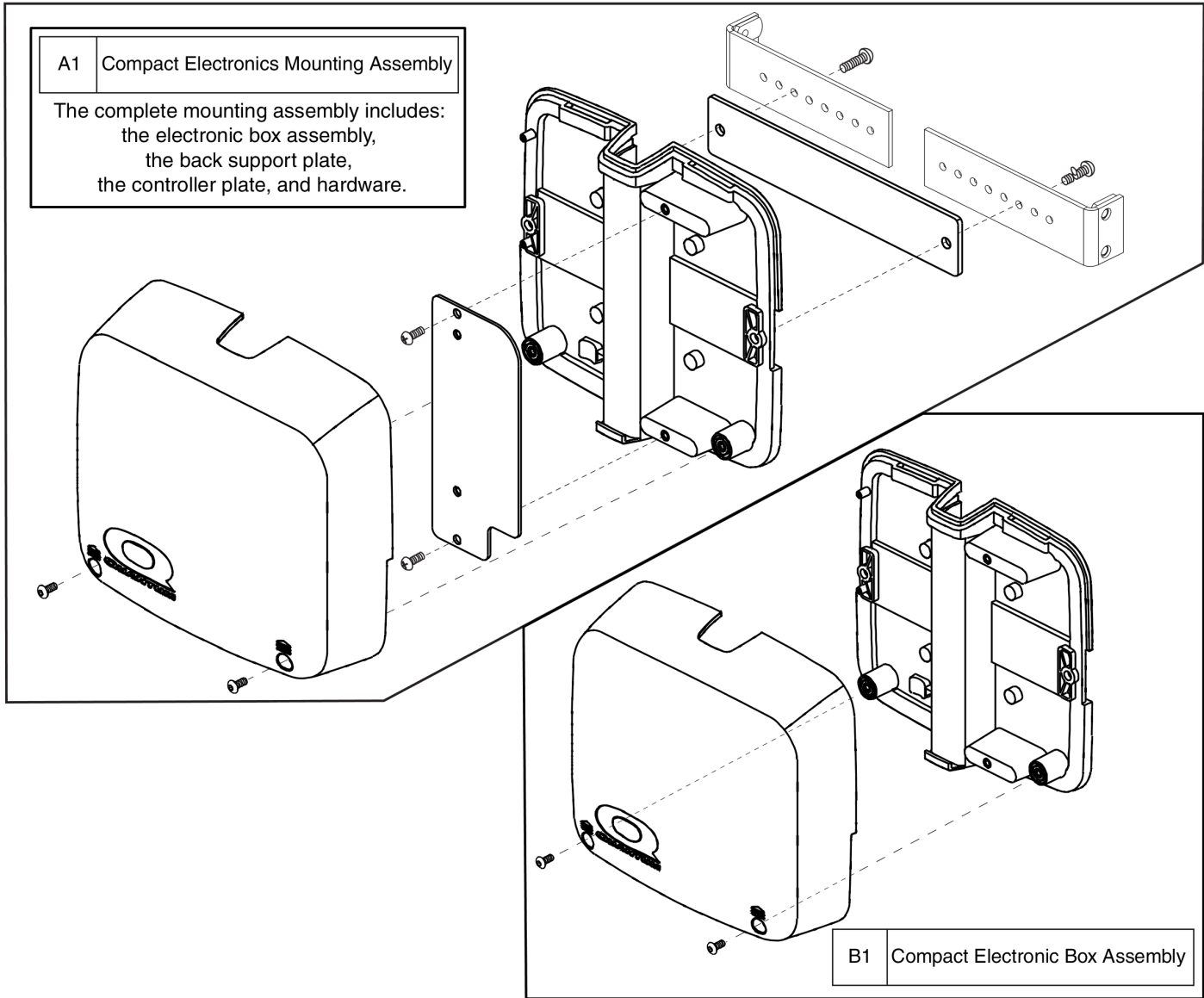
Item	Part No.	Name	Qty
A1 - A7	FRMASMB10500	MOUNTING,ASSY,ELECTRONICS BOX,AAM	1
A1	DWR1358E013	ELECTRONICS BOX,LID,BLACK,PLASTIC,TRU-BALANCE TILT 2	1
A2	DWR1358E012	ELECTRONICS BOX,BASE,BLACK,PLASTIC,TRU-BALANCE TILT 2	1
A3	SCRPPH1353	SCREW,PPH,BLACK ZINC,8-32 X 0.3125"	6
A4		GASKET,BLACK,RUBBER,ELECTRONICS BOX,TRU-BALANCE TILT 2	1
A5	DWR1358E014	MOUNTING BRACKET,UNIVERSAL R-NET ALM/AAM	1
A6	SCRSHFH1030	SCREW,SHFH,BLACK ZINC,8-32 X 0.3125"	2
A7	SCRPPH1080	SCREW,PPH,BLACK ZINC,8-32 X 0.75"	2

*Bracket Mounted*



Item	Part No.	Name	Qty
A1 - A5	FRMASMB11068	MOUNTING,ASSY,ELECTRONICS BOX,SINGLE SWITCH,TRUBALANCE 2 POWER TILT	1
A1	DWR1358E013	ELECTRONICS BOX,LID,BLACK,PLASTIC,TRU-BALANCE TILT 2	1
A2	DWR1358E012	ELECTRONICS BOX,BASE,BLACK,PLASTIC,TRU-BALANCE TILT 2	1
A3	SCRPPH1353	SCREW,PPH,BLACK ZINC,8-32 X 0.3125"	6
A4		GASKET,BLACK,RUBBER,ELECTRONICS BOX,TRU-BALANCE TILT 2	1
A5		REUSABLE FASTENER,2" X 4"	1

Bracket Mounted

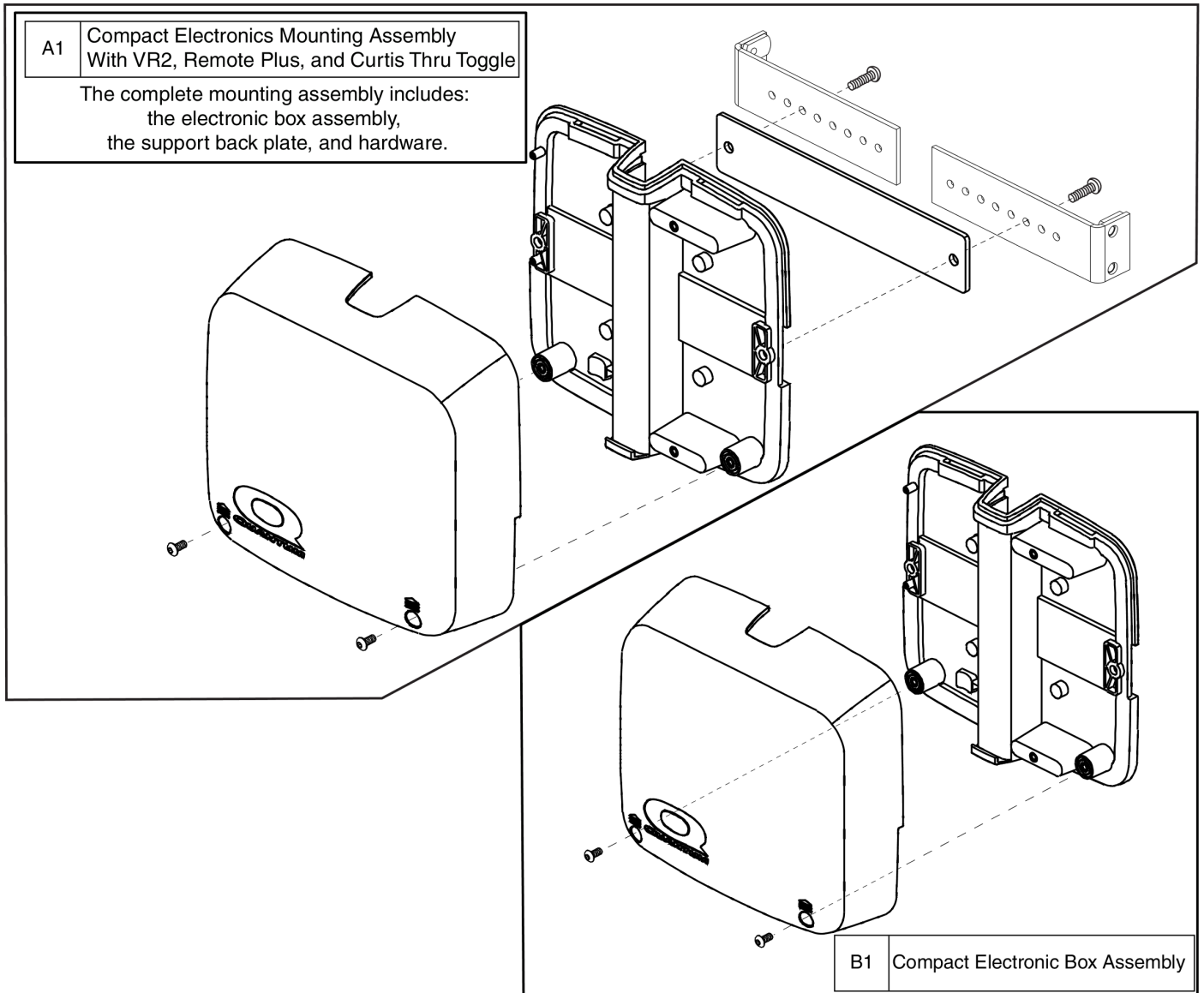


# Electronics Box - Compact, Bariatric Tilt



Item	Part No.	Name	Qty
A1	FRMASMB14207	MOUNTING,ASSY,COMPACT ELECTRONICS BOX,Q-LOGIC/REMOTE PLUS/VR2/NE/NE PLUS	1
B1	PLSASMB2077	ELECTRONIC,ASSY,BOX,COMPACT,PLASTIC,TB2 TILT,E-1358-016	1

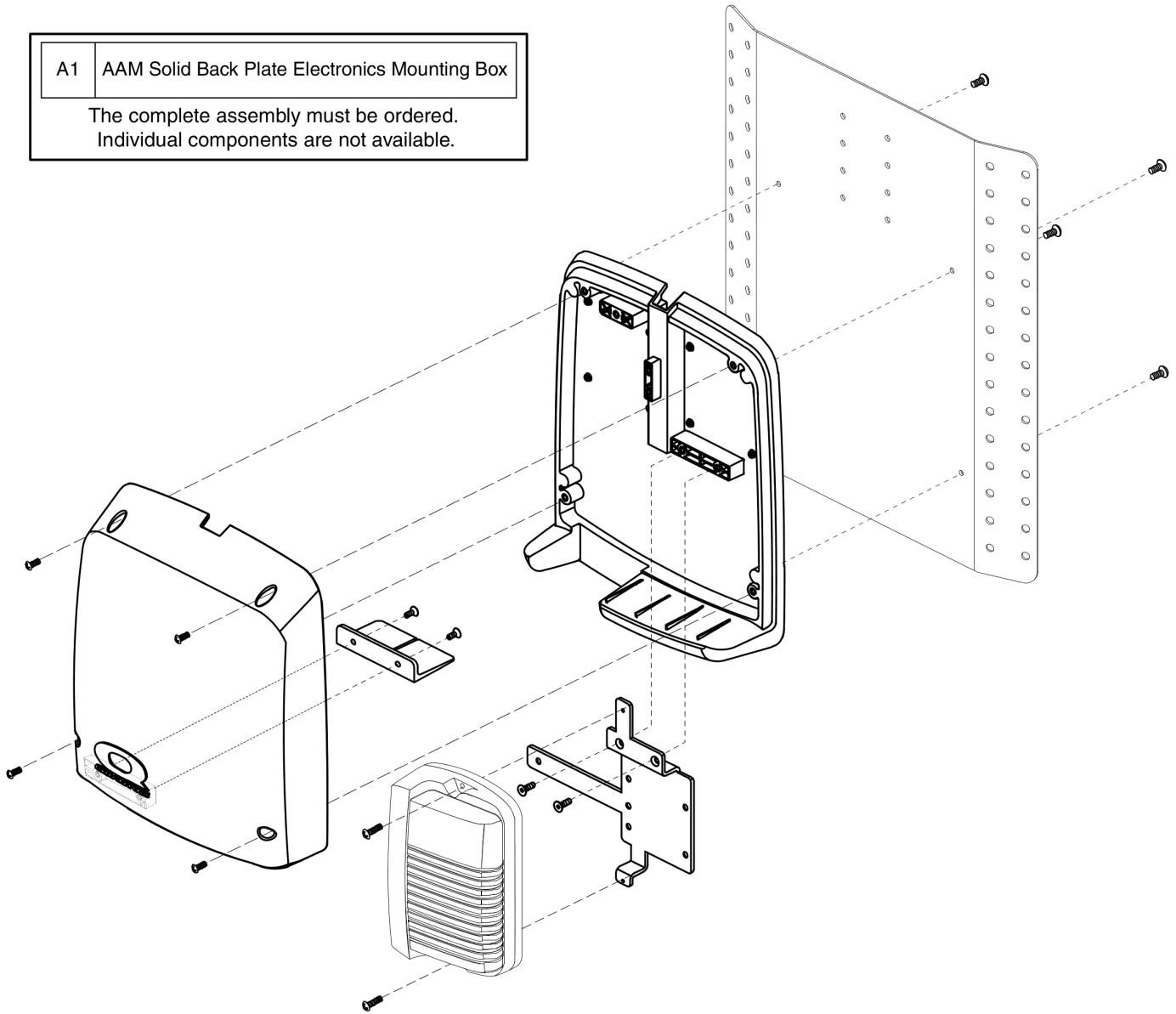
**Bracket Mounted**



Item	Part No.	Name	Qty
A1	FRMASMB15905	MOUNTING,ASSY,COMPACT ELECTRONICS BOX,VR2/NE/NE+ THRU TOGGLE/Q-LOGIC THRU TOGGLE/REMOTE PLUS THRU TOGGLE	1
B1	PLSASMB2077	ELECTRONIC,ASSY,BOX,COMPACT,PLASTIC,TB2 TILT,E-1358-016	1

**Solid Back Mounted**

A1	AAM Solid Back Plate Electronics Mounting Box
The complete assembly must be ordered. Individual components are not available.	

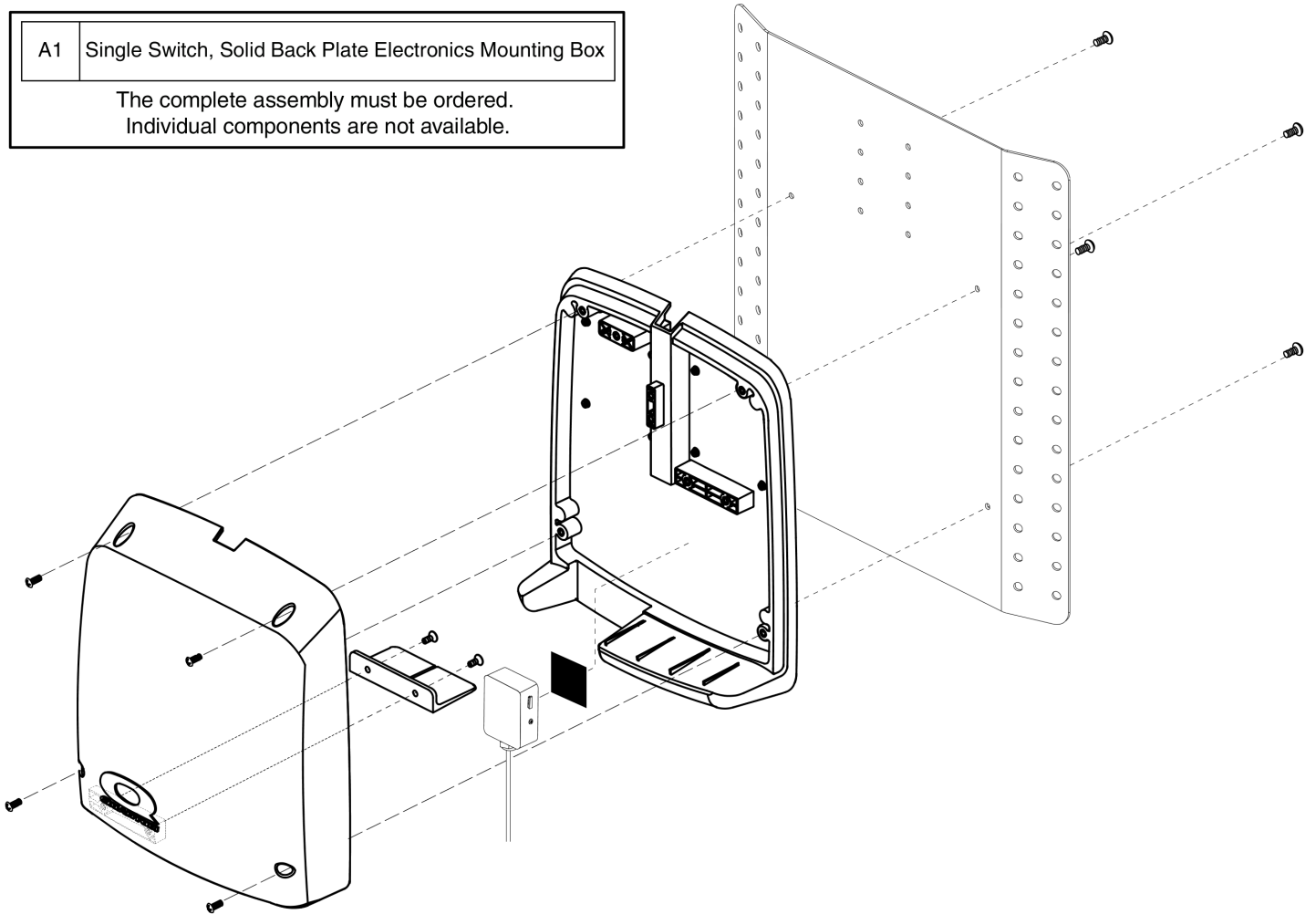




Item	Part No.	Name	Qty
A1	FRMASMB10503	MOUNTING,ASSY,ELECTRONICS BOX,SOLID BACK PLATE,AAM	1

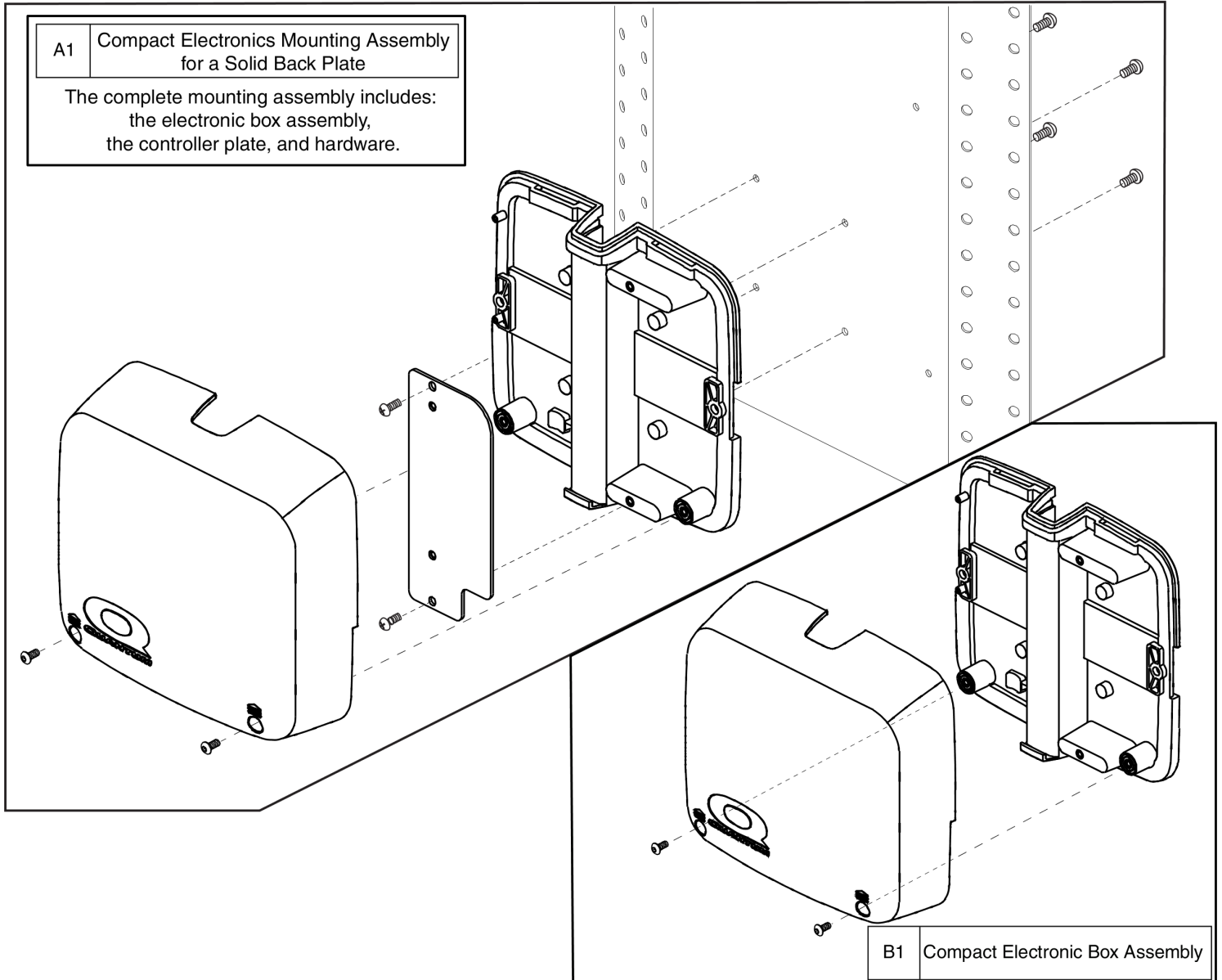
**Solid Back Mounted**

A1	Single Switch, Solid Back Plate Electronics Mounting Box
The complete assembly must be ordered. Individual components are not available.	



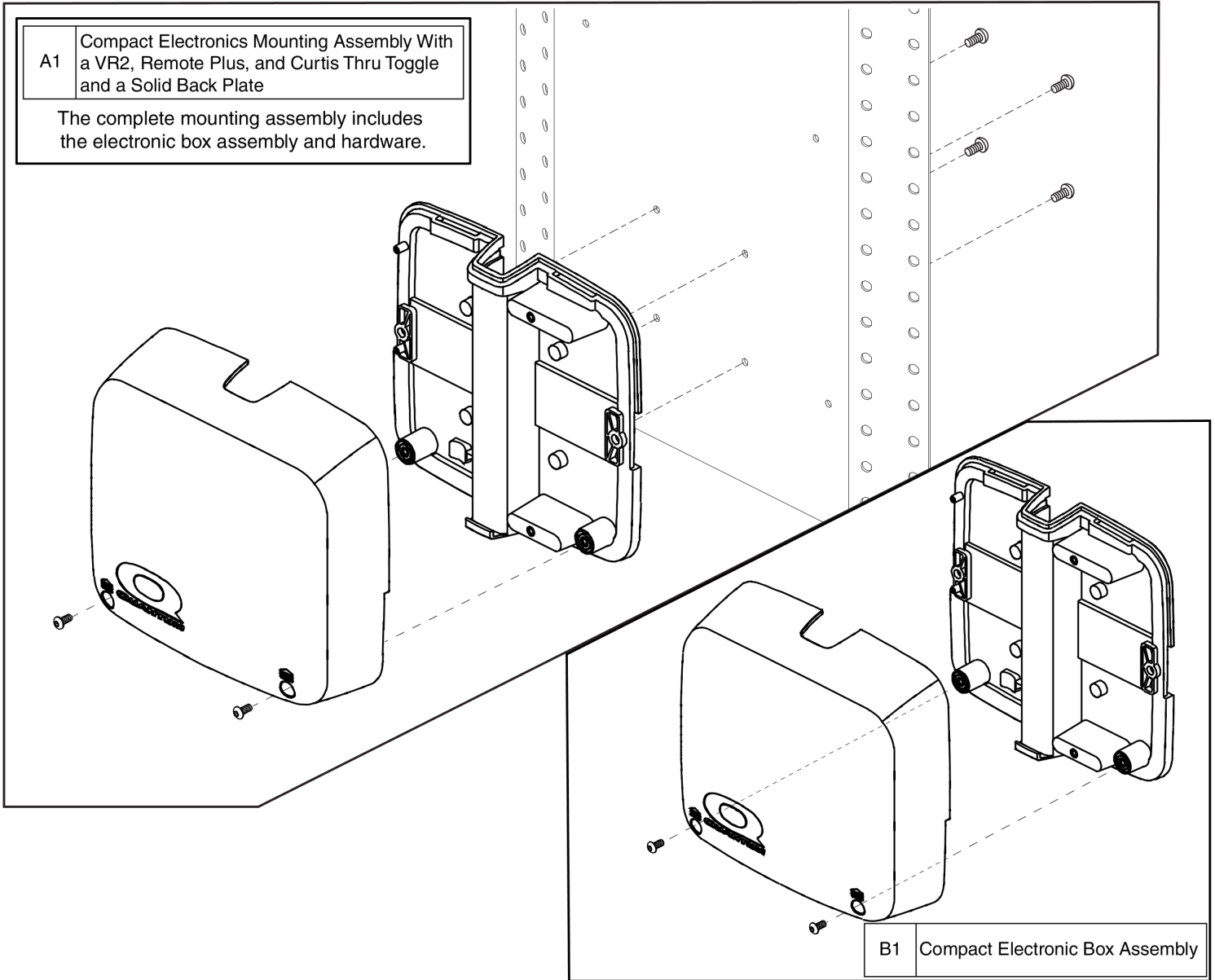
Item	Part No.	Name	Qty
A1	FRMASMB11069	MOUNTING,ASSY,ELECTRONICS BOX,SOLID BACK PLATE,SINGLE SWITCH,TRU-BALANCE 2 POWER TILT	1

**Solid Back Mounted**



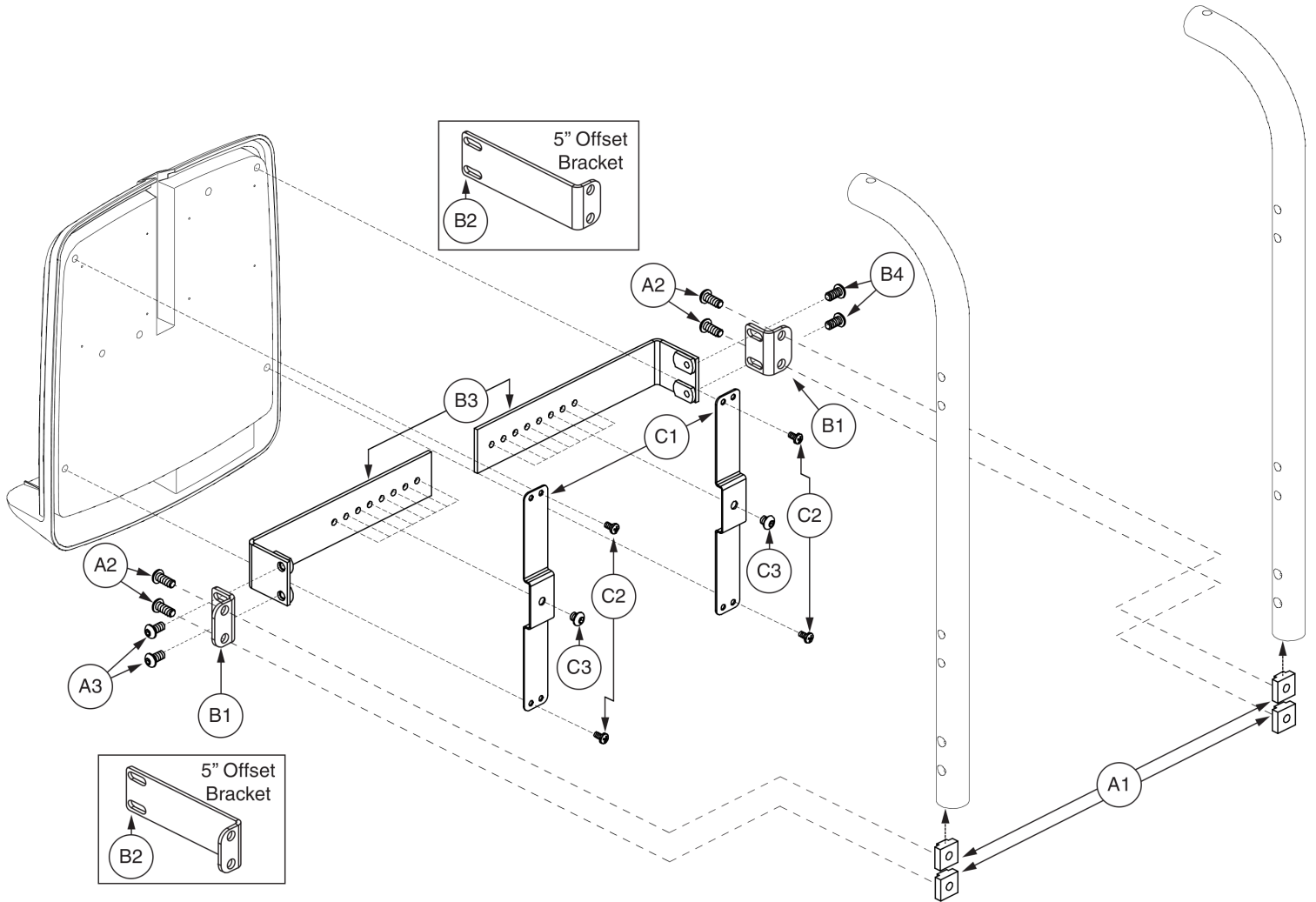
Item	Part No.	Name	Qty
A1	FRMASMB14208	MOUNTING,ASSY,COMPACT ELECTRONICS BOX,SOLID BACK PLATE,Q-LOGIC/REMOTE PLUS/VR2/NE/NE PLUS	1
B1	PLSASMB2077	ELECTRONIC,ASSY,BOX,COMPACT,PLASTIC,TB2 TILT,E-1358-016	1

**Solid Back Mounted**



Item	Part No.	Name	Qty
A1	FRMASMB15906	MOUNTING,ASSY,COMPACT ELECTRONICS BOX,SOLID BACK PLATE,VR2/NE/NE+ THRU TOGGLE/Q-LOGIC THRU TOGGLE/REMOTE PLUS THRU TOGGLE	1
B1	PLSASMB2077	ELECTRONIC,ASSY,BOX,COMPACT,PLASTIC,TB2 TILT,E-1358-016	1

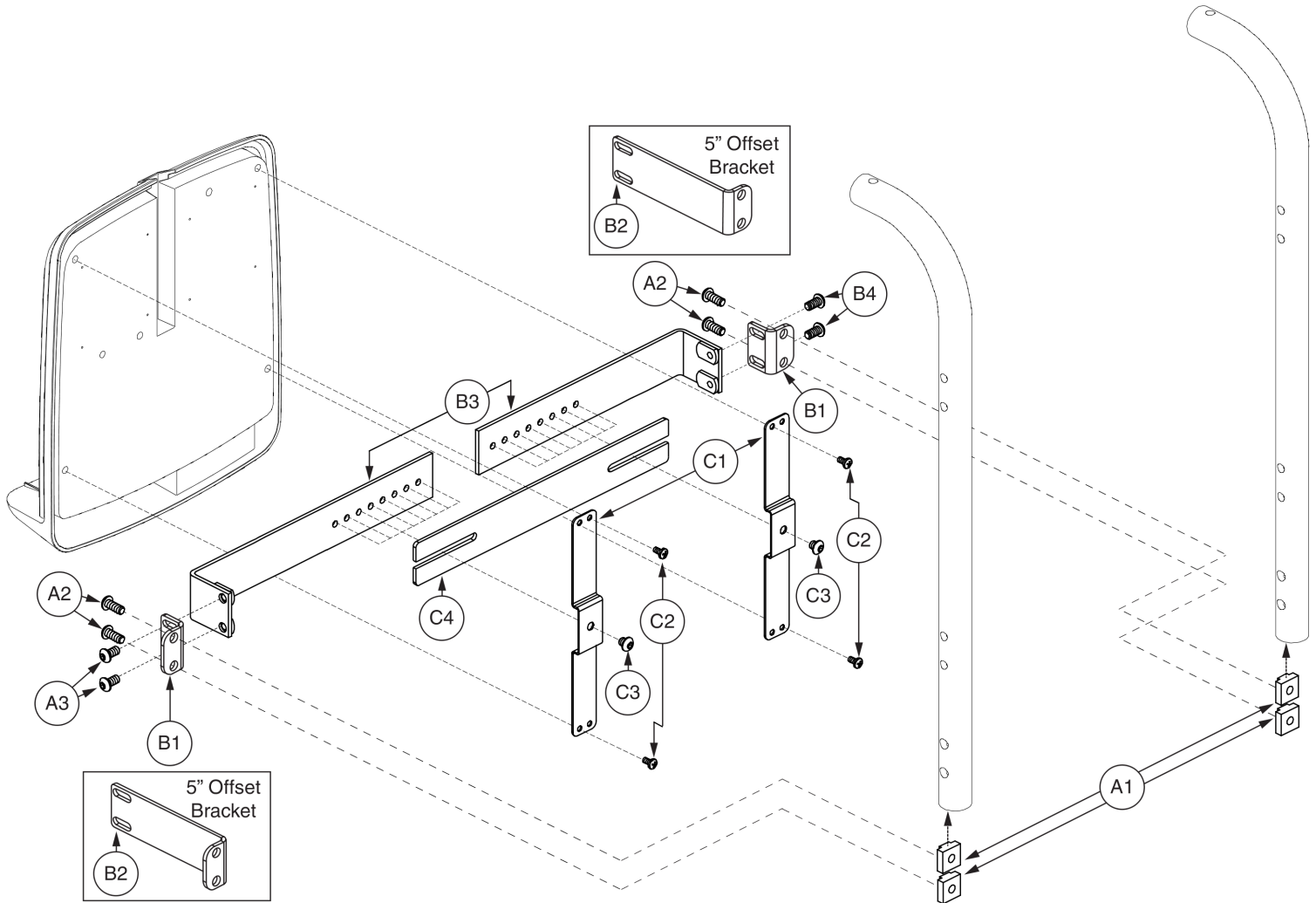
5.2. Electronics Box Mounting Bracket Assy's





Item	Part No.	Name	Qty
A1 - B4	FRMASMB16407	MOUNTING BRACKET,ASSY,ELECTRONICS BOX,18"-24",OFFSET,W/MOUNTING HARDWARE	1
A1	DWR1360A002	T-NUT,1/4-20 X 0.5625",A-1360-002	4
A2	SCRASBH1096	SCREW,BHSCS,BLACK ZINC,1/4-20 X 0.625",GRADE 8,W/NYLON PATCH,A-1360-009	4
A3	INFINFB2661	INSTALLATION INSTRUCTION,ELECTRONIC BOX OFFSET BRACKET	1
B1 - B4		MOUNTING BRACKET,ASSY,ELECTRONICS BOX,18"-24",OFFSET	2
B1	DWR1358C041	MOUNTING BRACKET,BACK CANE,1" OFFSET ENDPIECE	1
B2	DWR1358C042	MOUNTING BRACKET,BACK CANE,5" OFFSET ENDPIECE,C-1358-042	1
B3		MOUNTING BRACKET WELDMENT,BACK CANE,18-24",OFFSET,D-1358-027	1
B4	SCRASBH1148	SCREW,BHSCS,BLACK ZINC,1/4-20 X 0.50",W/PATCH	2
C1 - C3		HARDWARE,ASSY,10"W-24"W,ELECTRONICS BOX BRACKET	1
C1	DWR1358B017	SLIDE BRACKET,BACK CANE,BLACK,STEEL,1.00"W X 7.60"L	2
C2	SCRPPH1353	SCREW,PPH,BLACK ZINC,8-32 X 0.3125"	4
C3	SCRASBH1203	SCREW,BHSCS,BLACK ZINC,1/4-20 X 0.250",W/NYLON PATCH	2

5.2. Electronics Box Mounting Bracket Assy's

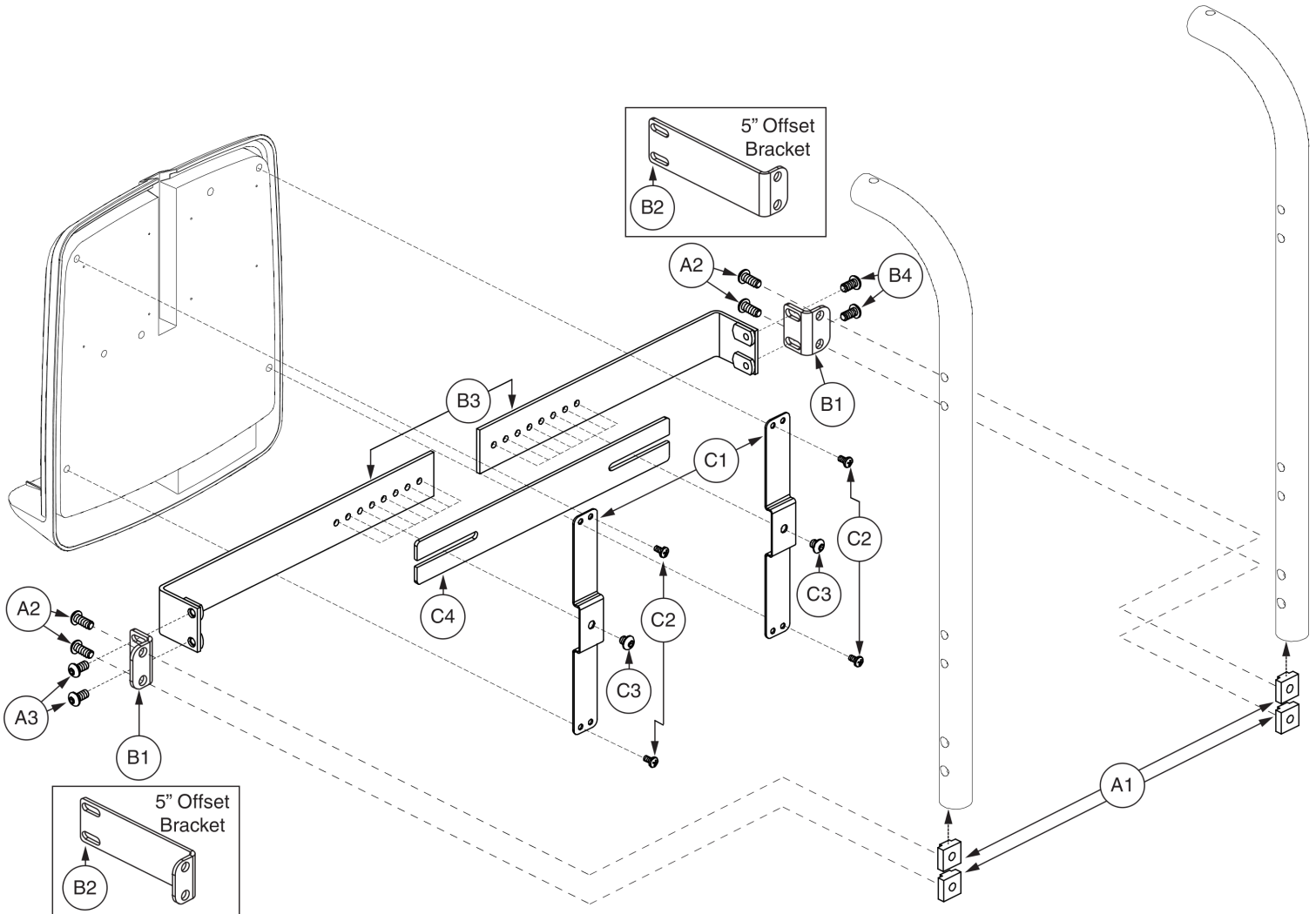


Electronic Box Mounting Brackets, 22"-28"W, Offset



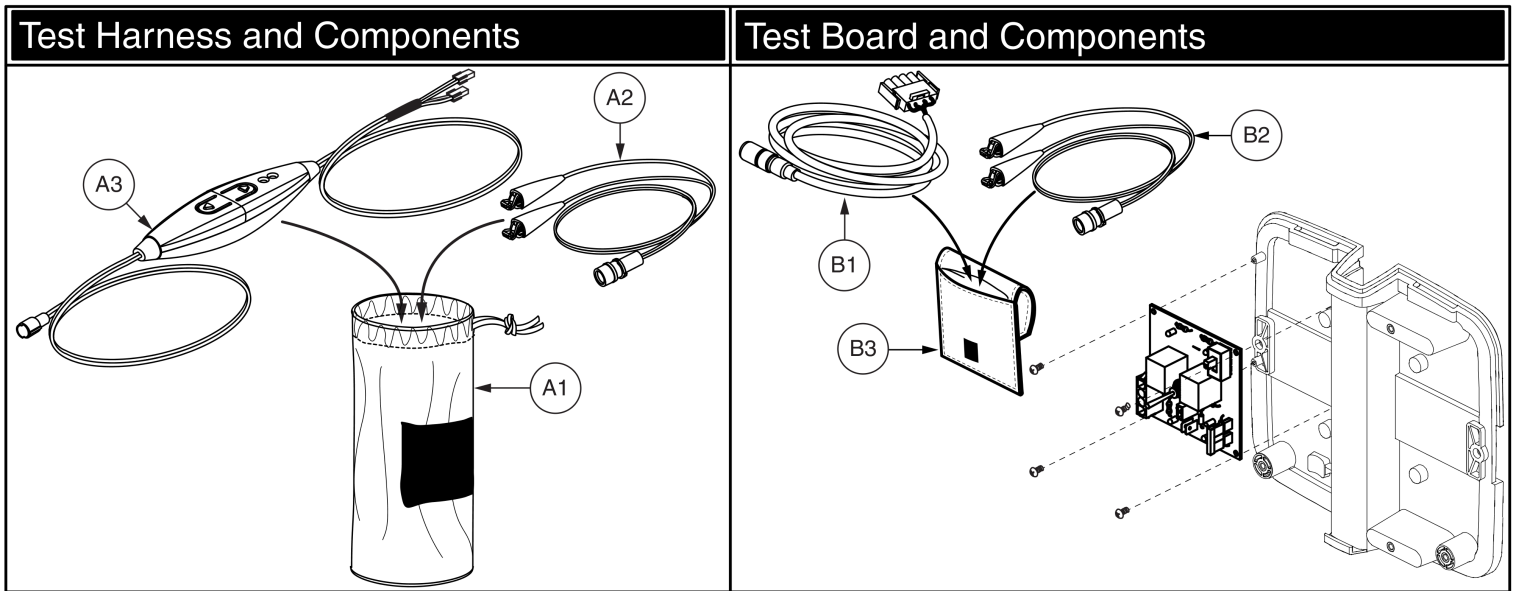
Item	Part No.	Name	Qty
A1 - B4	FRMASMB17094	MOUNTING BRACKET,ASSY,ELECTRONIC BOX,22"-28",OFFSET,W/MOUNTING HARDWARE	1
A1	DWR1360A002	T-NUT, 1/4-20 X 0.5625",A-1360-002	4
A2	SCRASBH1096	SCREW,BHSCS,BLACK ZINC, 1/4-20 X 0.625",GRADE 8,W/NYLON PATCH,A-1360-009	4
A3	INFINFB2661	INSTALLATION INSTRUCTION,ELECTRONIC BOX OFFSET BRACKET	1
B1 - B4		MOUNTING BRACKET,ASSY,ELECTRONIC BOX,22"-28"	2
B1	DWR1358C041	MOUNTING BRACKET,BACK CANE,1" OFFSET ENDPiece	1
B2	DWR1358C042	MOUNTING BRACKET,BACK CANE,5" OFFSET ENDPiece,C-1358-042	1
B3		MOUNTING BRACKET WELDMENT,BACK CANE,22"-28",OFFSET	1
B4	SCRASBH1148	SCREW,BHSCS,BLACK ZINC, 1/4-20 X 0.50",W/PATCH	2
C1	DWR1358B017	SLIDE BRACKET,BACK CANE,BLACK,STEEL,1.00"W X 7.60"L	2
C2	SCRPPH1353	SCREW,PPH,BLACK ZINC,8-32 X 0.3125"	4
C3	SCRASBH1157	SCREW,BHSCS,BLACK ZINC, 1/4-20 X 0.375",W/NYLON PATCH	4
C4	DWR1358C040	EXTENDER BRACKET,BACK SUPPORT,10.75"L,C-1358-040	1

5.2. Electronics Box Mounting Bracket Assy's



Item	Part No.	Name	Qty
A1 - B4	FRMASMB16409	MOUNTING BRACKET,ASSY,ELECTRONICS BOX,26"-32",OFFSET,W/MOUNTING HARDWARE	1
A1	DWR1360A002	T-NUT, 1/4-20 X 0.5625",A-1360-002	4
A2	SCRASBH1096	SCREW,BHSCS,BLACK ZINC, 1/4-20 X 0.625",GRADE 8,W/NYLON PATCH,A-1360-009	4
A3	INFINFB2661	INSTALLATION INSTRUCTION,ELECTRONIC BOX OFFSET BRACKET	1
B1 - B4	FRMASMB16414	MOUNTING BRACKET,ASSY,ELECTRONICS BOX,26"-32",OFFSET	2
B1	DWR1358C041	MOUNTING BRACKET,BACK CANE,1" OFFSET ENDPIECE	1
B2	DWR1358C042	MOUNTING BRACKET,BACK CANE,5" OFFSET ENDPIECE,C-1358-042	1
B3		MOUNTING BRACKET WELDMENT,BACK CANE,26-32",OFFSET	1
B4	SCRASBH1148	SCREW,BHSCS,BLACK ZINC, 1/4-20 X 0.50",W/PATCH	2
C1 - C4	HDWASMB1183	HARDWARE,ASSY,24"W-32"W,ELECTRONICS BOX BRACKET	1
C1	DWR1358B017	SLIDE BRACKET,BACK CANE,BLACK,STEEL,1.00"W X 7.60"L	2
C2	SCRPPH1353	SCREW,PPH,BLACK ZINC,8-32 X 0.3125"	4
C3	SCRASBH1157	SCREW,BHSCS,BLACK ZINC, 1/4-20 X 0.375",W/NYLON PATCH	4
C4	DWR1358C040	EXTENDER BRACKET,BACK SUPPORT,10.75"L,C-1358-040	1

Electrical Components



1. The Test Board has been discontinued and replaced with the Test Harness, ELEASMB7443.

2. For more information on the operation of the Test Harness, providers may log onto [www.prideprovider.com](http://www.prideprovider.com) and reference the Electronic Test Harness Overview in the Technical Service Toolbox section of the website.

Item	Part No.	Name	Qty
A1 - A3		ELECTRONIC,ASSY,TEST BOARD,W/HARNESS & POUCH	1
A1		TEST BOARD HARNESS BAG,ASSY,TRU-BALANCE 2 POWER TILT,D-1265-052	1
A2		ELECTRONIC,HARNESS,POWER,AUXILIARY,QUANTUM TEST BOARD,H-1265-015	1
A3		ELECTRONIC,ASSY,QUANTUM TEST BOARD ENCLOSURE,C-1265-138	1
B1 - B3		ELECTRONIC,ASSY,TEST BOARD HARNESS,W/POUCH	1
B1		ELECTRONIC,HARNESS,POWER/INHIBIT,QUANTUM TEST BOARD,H-1265-014	1
B2		ELECTRONIC,HARNESS,POWER,AUXILIARY,QUANTUM TEST BOARD,H-1265-015	1
B3		POUCH,ELECTRONICS,NYLON,TRU-BALANCE TILT 2,C-1265-061	1

Appendix A:Pages Index

Angle Adjustable Seat Towers, Bariatric Tilt . . . . .	13	Solid Back Plate and Cushion 22" Width . . . . .	93
Back Cane Angle Adjustable Bracket for Transit Units, Bariatric Tilt . . . . .	25	Solid Back Plate and Cushion 23" Width . . . . .	95
Back Cane Angle Adjustable Bracket, Version 2, Bariatric Tilt . . . . .	23	Solid Back Plate and Cushion 24" Width . . . . .	97
Back Cane Extrusion - Straight, 14"-25" Height, Version 2, Bariatric Tilt . . . . .	45	Solid Curved Back, 19"-21" Width . . . . .	77
Back Cane Extrusion w/ Short Push Handles, 14"-25" Height, Version 2, Bariatric Tilt . . . . .	43	Solid Curved Back, 22"-24" Width . . . . .	78
Decal Package, Bariatric Tilt . . . . .	131	Solid Curved Back, HD, 25"-26" Width . . . . .	81
Electronic Box Mounting Brackets, 22"-28"W, Offset . . . . .	125, 173	Solid Curved Back, HD, 27"-28" Width . . . . .	83
Electronics Box - AAM - Solid Back Plate/ Cane Mount, Bariatric Tilt . . . . .	115, 163	Solid Curved Back, HD, 29"-30" Width . . . . .	85
Electronics Box - AAM, Box Only, Bariatric Tilt . . . . .	107, 155	Solid Curved Back, HD, 31"-32" Width . . . . .	87
Electronics Box - Compact, Bariatric Tilt . . . . .	111, 159	Standard Back - 20" Width, Bariatric Tilt . . . . .	49
Electronics Box - Compact, Solid Back, Bariatric Tilt . . . . .	119, 167	Standard Back - 21" Width, Bariatric Tilt . . . . .	51
Electronics Box - Single Switch, Box Only, Bariatric Tilt . . . . .	109, 157	Standard Back - 22" Width, Bariatric Tilt . . . . .	53
Electronics Box - SingleSwitch - Solid Back Plate/ CaneMount, Bariatric Tilt . . . . .	117, 165	Standard Back - 23" Width, Bariatric Tilt . . . . .	55
Electronics Box Mounting Brackets, 18"-24"W, Offset . . . . .	123, 171	Standard Back - 24" Width, Bariatric Tilt . . . . .	57
Electronics Mount - Compact Ele Box, thru Toggle, Bariatric Tilt . . . . .	113, 161	Standard Back - 25" Width, Bariatric Tilt . . . . .	59
Electronics Mount - Compact Ele Box, thru Toggle, Solid Back . . . . .	121, 169	Standard Back - 26" Width, Bariatric Tilt . . . . .	61
ElectronicsBox Mounting Brackets, 26"-32"W, Offset . . . . .	127, 175	Standard Back - 27" Width, Bariatric Tilt . . . . .	63
Endomorph Back Cane Bracket - 1" In, Version 2, Bariatric Tilt . . . . .	35	Standard Back - 28" Width, Bariatric Tilt . . . . .	65
Endomorph Back Cane Bracket - 2" In, Version 2, Bariatric Tilt . . . . .	39	Standard Back - 29" Width, Bariatric Tilt . . . . .	67
Endomorph Bracket - 1" Out for Transit Units, Bariatric Tilt . . . . .	37	Standard Back - 30" Width, Bariatric Tilt . . . . .	69
Endomorph Bracket - 2" Out for Transit Units, Bariatric Tilt . . . . .	41	Standard Back - 31" Width, Bariatric Tilt . . . . .	71
Fixed Towers, Bariatric Tilt . . . . .	11	Standard Back - 32" Width, Bariatric Tilt . . . . .	73
High Power Toggle and Mount, Tubular Arms . . . . .	151	Standard Headrests, Bariatric Tilt . . . . .	105
Lap Belts, Adult . . . . .	99	Synergy Standard Back Lateral Extensions, Bariatric Tilt . . . . .	75
Mesomorph Back Cane Bracket - 1" Out for Transit Units, Bariatric Tilt . . . . .	29	TRU-Comfort Headrest Assembly - 8", Bariatric Tilt . . . . .	101
Mesomorph Back Cane Bracket - 1" Out, Version 2, Bariatric Tilt . . . . .	27	TRU-Comfort Headrest Assy - 10", Bariatric Tilt . . . . .	103
Mesomorph Back Cane Bracket - 2" Out for Transit Units, Bariatric Tilt . . . . .	33	Tilt Base w/ Seat Interface, 12" Centers, Version 1 - Bariatric Tilt . . . . .	3
Mesomorph Back Cane Bracket - 2" Out, Version 2, Bariatric Tilt . . . . .	31	Tilt Base w/ Seat Interface, Version 1 - Bariatric Tilt . . . . .	1
NE Tilt thru Toggle Electronics, Bariatric Tilt . . . . .	149	Tilt Base w/ Seat Interface, Version 2 - Bariatric Tilt . . . . .	5
NE+/Q-Logic (AM2) Tilt thru Joystick w/ AFP, Bariatric Tilt . . . . .	135	Tilt Base, Version 1 - Bariatric Tilt . . . . .	7
NE+/QLogic(AM1) Tilt thru Joystick Electronics, Bariatric Tilt . . . . .	133	Tilt Base, Version 2 - Bariatric Tilt . . . . .	9
Owner's Package, Bariatric Tilt . . . . .	129	VR2 40° Tilt thru Joystick Electronics, Bariatric Tilt . . . . .	145
Push Bar - HD, 20"-28" W, Bariatric Tilt . . . . .	47	VR2 Tilt thru Joystick Electronics, Bariatric Tilt . . . . .	143
Q-Logic / NE+ / Remote Plus/ VR2 Tilt thru Toggle Electronics, Bariatric Tilt . . . . .	147		
Q-Logic 3 Seating Modules, Mounts, and Bus Cables - Bariatric Tilt Seating Systems . . . . .	141		
Q-Logic(AAM) Tilt thru Joystick Electronics, Bariatric Tilt . . . . .	137		
Q-Logic(AAM) Tilt thru Joystick w/ AFP Electronics, Bariatric Tilt . . . . .	139		
Quantum Test Harness . . . . .	177		
Remote Plus Tilt thru Single Switch Electronics, Bariatric Tilt . . . . .	153		
Seat Pans, Bariatric Tilt . . . . .	21		
Side Rail, 15"D-20"D, Textured, Bariatric Tilt . . . . .	15		
Side Rail, 20"D-24"D, Textured, Bariatric Tilt . . . . .	17		
Side Rail, 24"D-28"D, HD, Bariatric Tilt . . . . .	19		
Solid Back Plate and Cushion 20" Width . . . . .	89		
Solid Back Plate and Cushion 21" Width . . . . .	91		



Appendix B:Parts Index

ACCACTR1038	2, 4, 6, 10	CUSASMB2395	58
ACCACTR1054	2, 4, 6, 10	CUSASMB2396	60
ACCASMB2610	178	CUSASMB2397	62
ACCBELT1000	100	CUSASMB2398	64
ACCBELT1001	100	CUSASMB2399	66
ACCBELT1002	100	CUSASMB2402	72
ACCBELT1003	100	CUSASMB2403	74
ACCBELT1004	100	CUSASMB2410	50
BLTASHL1035	4	CUSASMB2411	52
BLTASHL1060	14	CUSASMB2412	54
BLTASHL1165	2, 4, 6, 10	CUSASMB2413	56
BLTASHL1177	8, 10	CUSASMB2414	58
BRGFLNG1069	8, 10	CUSASMB2415	60
BRGFLNG1070	8, 10	CUSASMB2416	62
BRGLIN1002	8, 10	CUSASMB2417	64
CLPCBLC1025	146	CUSASMB2418	66
CTL143982	142	CUSASMB2421	72
CTL143983	142	CUSASMB2422	74
CTL143985	142	CUSINDV1167	96
CUS131210	102	CUSINDV1168	96
CUS131214	104	CUSINDV1169	96
CUSASMB2342	50	CUSINDV1170	96
CUSASMB2343	52	CUSINDV1171	98
CUSASMB2344	54	CUSINDV1172	98
CUSASMB2346	58	CUSINDV1173	98
CUSASMB2353	50	CUSINDV1174	98
CUSASMB2354	52	DECASMB2262	132
CUSASMB2355	54	DWR1000B224B	80, 82, 84, 86, 88
CUSASMB2356	56	DWR1000C390	152
CUSASMB2357	58	DWR1005B080	8, 10
CUSASMB2359	62	DWR1005B112	24, 26, 28, 30, 32, 34, 36, 38, 40, 42
CUSASMB2360	64	DWR1005C029	24, 26, 28, 30, 32, 34, 36, 38, 40, 42
CUSASMB2361	66	DWR1005C067	8, 10
CUSASMB2362	68	DWR1010C365	102, 104
CUSASMB2364	72	DWR1010C366	102, 104
CUSASMB2372	50	DWR1010C418	102, 104
CUSASMB2373	52	DWR1010H034	146
CUSASMB2374	54	DWR1040E747	102
CUSASMB2375	56	DWR1040E748	102
CUSASMB2376	58	DWR1040E765	104
CUSASMB2377	60	DWR1111H047	134, 136, 138, 140
CUSASMB2378	62	DWR1111H065	134, 136, 138, 140
CUSASMB2380	66	DWR1234L414	132
CUSASMB2381	68	DWR1235L199	132
CUSASMB2382	70	DWR1235L712	132
CUSASMB2383	72	DWR1255C003	10
CUSASMB2391	50	DWR1255C004	10
CUSASMB2392	52	DWR1255E002	10
CUSASMB2393	54	DWR1255E003	10
CUSASMB2394	56	DWR1265B022	12
		DWR1265B043	8, 10

DWR1265B044	8, 10	DWR1359C001	48
DWR1265B045	8, 10	DWR1359C005	90, 92, 94, 96, 98
DWR1265B053	8, 10	DWR1359C015	76
DWR1265C022	8, 10	DWR1359C018	48
DWR1265C043	14	DWR1359D029	48
DWR1265C057	8	DWR1359D030	48
DWR1265C060	8	DWR1359D036	48
DWR1265C061	178	DWR1359D037	48
DWR1265C070	4	DWR1359E001I	90
DWR1265C077	8, 10	DWR1359E001K	90
DWR1265C078	8, 10	DWR1359E002G	98
DWR1265C085	14	DWR1359E002I	98
DWR1265C086	14	DWR1359E002K	98
DWR1265C107	8, 10	DWR1359E002M	98
DWR1265D004	2, 4, 6	DWR1359E013M	92
DWR1265D005	2, 6	DWR1359E014G	94
DWR1265D006	6	DWR1359E014I	94
DWR1265D017	4	DWR1359E014M	94
DWR1265D018	4	DWR1359E015G	96
DWR1265D022	2, 6	DWR1359E015I	96
DWR1265D026	2, 4, 6	DWR1359E015K	96
DWR1265E014	2, 6	DWR1359E015M	96
DWR1265E015	2, 6	DWR1359E029K	50
DWR1265E045	8	DWR1359E029L	52
DWR1265E048	8	DWR1359E029M	54
DWR1265E061	2, 4, 6	DWR1359E029N	56
DWR1265H007	136, 140	DWR1359E029O	58
DWR1265H012	148	DWR1359E032K	50
DWR1265H014	178	DWR1359E032L	52
DWR1265H015	178, 178	DWR1359E032M	54
DWR1265H028	148, 150	DWR1359E032N	56
DWR1265H039	144, 146, 148, 150, 154	DWR1359E032O	58
DWR1265H052	150	DWR1359E032P	60
DWR1265H057	150	DWR1359E032Q	62
DWR1270C019	2, 4, 6	DWR1359E032R	64
DWR1303B026	136, 140	DWR1359E032S	66
DWR1306C005	102, 104	DWR1359E032T	68
DWR1306C024	50, 52, 54, 56, 58, 60, 62, 64, 66, 68, 70, 72, 74	DWR1359E032U	70
DWR1358B017	124, 126, 128, 172, 174, 176	DWR1359E032V	72
DWR1358C040	126, 128, 174, 176	DWR1359E032W	74
DWR1358C041	124, 126, 128, 172, 174, 176	DWR1359E034K	50
DWR1358C042	124, 126, 128, 172, 174, 176	DWR1359E034L	52
DWR1358D011	108, 110, 156, 158	DWR1359E034M	54
DWR1358D027	124, 172	DWR1359E034N	56
DWR1358D034	126, 174	DWR1359E034O	58
DWR1358D035	128, 176	DWR1359E034P	60
DWR1358E012	108, 110, 156, 158	DWR1359E034Q	62
DWR1358E013	108, 110, 156, 158	DWR1359E034R	64
DWR1358E014	108, 156	DWR1359E034S	66
DWR1359B003	48, 50, 52, 54, 56, 58, 60, 62, 64, 66, 68, 70, 72, 74, 90, 92, 94, 96, 98	DWR1359E034T	68
		DWR1359E034U	70

DWR1359E034V	72	ELE122117	136
DWR1359E034W	74	ELE122118	140
DWR1359E036K	50	ELE122120	140
DWR1359E036L	52	ELE122739	140
DWR1359E036M	54	ELE122740	136
DWR1359E036N	56	ELE123280	146
DWR1359E036O	58	ELE153301	144
DWR1359E036P	60	ELE168113	142
DWR1359E036Q	62	ELEASMB4949	152
DWR1359E036R	64	ELEASMB4950	152
DWR1359E036S	66	ELEASMB5156	152
DWR1359E036T	68	ELEASMB5157	152
DWR1359E036U	70	ELEASMB5628	138
DWR1359E036V	72	ELEASMB5631	140
DWR1359E036W	74	ELEASMB5685	178
DWR1359E045K	50	ELEASMB6043	134
DWR1359E045L	52	ELEASMB6395	148
DWR1359E045M	54	ELEASMB6433	136
DWR1359E045N	56	ELEASMB7093	150
DWR1359E045O	58	ELEASMB7110036	134
DWR1359E045P	60	ELEASMB7110044	138
DWR1359E045Q	62	ELEASMB7110189	138
DWR1359E045R	64	ELEASMB7110191	134
DWR1359E045S	66	ELEASMB7110368	138
DWR1359E045U	70	ELEASMB7110369	138
DWR1359E045V	72	ELEASMB7110370	134
DWR1359E045W	74	ELEASMB7110371	134
DWR1360A002	24, 26, 28, 30, 32, 34, 36, 38, 40, 42, 124, 126, 128, 130, 172, 174, 176	ELEASMB7194	138
DWR1360A003	130	ELEASMB7195	134
DWR1360A004	16, 18, 20, 130	ELEASMB7196	134
DWR1360B007	16, 18, 20	ELEASMB7198	138
DWR1360B015	2, 4, 6	ELEASMB7214	178
DWR1360B048	16, 18, 20	ELEASMB7217	138
DWR1360C154	24, 26, 28, 30, 32, 34, 36, 38, 40, 42	ELEASMB7218	134
DWR1360E005B	16	ELEASMB7443	178
DWR1360E010B	18	ELESWRP1003	136, 140, 142, 144, 146, 148, 150
DWR1360E121	22	FRMASMB10498	12
DWR1360E122	22	FRMASMB10500	108, 156
DWR1360E123	22	FRMASMB10503	116, 164
DWR1360E124	22	FRMASMB11068	110, 158
DWR1360E125	22	FRMASMB11069	118, 166
DWR1360E127	20	FRMASMB11099	32, 34
DWR1361H030	138, 140	FRMASMB11100	32, 34
DWR1361H076	144	FRMASMB11101	40, 42
DWR1362E043B	22	FRMASMB11102	40, 42
DWR1367C043	46	FRMASMB11103	28, 30
DWR1600A052	100	FRMASMB11104	28, 30
DWR1600B122B	16, 18, 20, 28, 32, 36, 40	FRMASMB11105	36, 38
ELE121727	144	FRMASMB11106	36, 38
ELE122116	136	FRMASMB11354	152
		FRMASMB12046	26

FRMASMB12047	26	FRMASMB16354	48
FRMASMB12067	30	FRMASMB16355	48
FRMASMB12068	30	FRMASMB16388	28
FRMASMB12069	30	FRMASMB16389	28
FRMASMB12091	34	FRMASMB16391	32
FRMASMB12092	34	FRMASMB16392	32
FRMASMB12093	34	FRMASMB16394	36
FRMASMB12115	38	FRMASMB16395	36
FRMASMB12116	38	FRMASMB16397	40
FRMASMB12117	38	FRMASMB16398	40
FRMASMB12139	42	FRMASMB16404	14
FRMASMB12140	42	FRMASMB16407	124, 172
FRMASMB12141	42	FRMASMB16409	128, 176
FRMASMB12307	2	FRMASMB16412	124, 172
FRMASMB12369	4	FRMASMB16414	128, 176
FRMASMB12753	14	FRMASMB16490	2
FRMASMB12754	14	FRMASMB16491	2
FRMASMB14207	112, 160	FRMASMB16492	4
FRMASMB14208	120, 168	FRMASMB17094	126, 174
FRMASMB15774	46	FRMASMB17095	126, 174
FRMASMB15775	46	FRMASMB17116	48
FRMASMB15776	46	FRMASMB17117	48
FRMASMB15777	46	FRMASMB17578	6
FRMASMB15778	46	FRMASMB17628	24
FRMASMB15779	46	FRMASMB17629	24
FRMASMB15780	46	FRMASMB6518	20
FRMASMB15781	46	FRMASMB6519	20
FRMASMB15782	46	FRMASMB6605	20
FRMASMB15783	46	FRMASMB6821	16
FRMASMB15799	6, 10	FRMASMB6822	16
FRMASMB15832	44	FRMASMB6823	18
FRMASMB15833	44	FRMASMB6824	18
FRMASMB15834	44	FRMASMB6983	16
FRMASMB15835	44	FRMASMB6984	18
FRMASMB15836	44	FRMASMB8929	152
FRMASMB15837	44	FRMASMB9851	2, 4, 8
FRMASMB15838	44	HAR144000	142
FRMASMB15839	44	HAR144005	142
FRMASMB15840	44	HDWASMB1084	106
FRMASMB15841	44	HDWASMB1112	106
FRMASMB15842	44	HDWASMB1155	100
FRMASMB15843	44	HDWASMB1168	102, 104
FRMASMB15845	26	HDWASMB1182	124, 172
FRMASMB15849	26	HDWASMB1183	128, 176
FRMASMB15850	26	INDPART1914	106
FRMASMB15905	114, 162	INDPART1915	106
FRMASMB15906	122, 170	INDPART2327	106
FRMASMB16274	76	INFINFB2661	124, 126, 128, 172, 174, 176
FRMASMB16280	76	INFINFB2778	130
FRMASMB16281	76	INFMANU4082	130
FRMASMB16298	76	INFMANU4796	130

MEC120322	6	SCRSHFH1036	16, 18, 20
MEC120323	6	SET131064	102, 104
MEC120325	6	SETASMB3718	80
MEC138556	138, 140	SETASMB3719	80
MEC138637	134, 136	SETASMB3720	80
MEC155983	142	SETASMB3721	80
MEC156032	142	SETASMB3722	80
NUTJAM1032	136, 140	SETASMB3723	80
NUTNJAM1014	130	SETASMB3724	80
NUTNYLK1006	8, 10	SETASMB3725	80
NUTNYLK1014	4, 14, 80, 82, 84, 86, 88	SETASMB3726	80
NUTNYLK1026	2, 4, 6, 6, 10, 24, 26, 28, 30, 32, 34, 36, 38, 40, 42	SETASMB4350	82
NUTNYLK1106	144, 146, 148, 150, 154	SETASMB4352	82
NUTZIP1001	130	SETASMB4353	82
PLSASMB2077	112, 114, 120, 122, 160, 162, 168, 170	SETASMB4354	82
PLSTIE1004	136, 140, 142, 144, 146, 148, 150	SETASMB4355	82
PROECAP1102	26	SETASMB4356	82
PROHDL1052	44	SETASMB4357	82
RNGRTAN1038	8, 10	SETASMB4358	82
RNGRTAN1049	8, 10	SETASMB4359	82
SCRASBH1007	80, 82, 84, 86, 88	SETASMB4360	82
SCRASBH1018	80, 82, 84, 86, 88	SETASMB4361	82
SCRASBH1040	106, 106	SETASMB4362	82
SCRASBH1094	16, 18, 20	SETASMB4363	82
SCRASBH1095	130	SETASMB4364	82
SCRASBH1096	10, 24, 26, 28, 30, 32, 34, 36, 38, 40, 42, 124, 126, 128, 172, 174, 176	SETASMB4365	82
SCRASBH1148	8, 50, 52, 54, 56, 58, 60, 62, 64, 66, 68, 70, 72, 74, 76, 90, 92, 94, 96, 98, 124, 126, 128, 172, 174, 176	SETASMB4366	82
SCRASBH1151	2, 4, 6, 8, 10	SETASMB4367	84
SCRASBH1157	126, 128, 174, 176	SETASMB4368	84
SCRASBH1203	124, 172	SETASMB4369	84
SCRASBH1209	48, 90, 92, 94, 96, 98	SETASMB4370	84
SCRASBH1210	48, 50, 52, 54, 56, 58, 60, 62, 64, 66, 68, 70, 72, 74	SETASMB4371	84
SCRHHCS1240	24, 26, 30, 34, 38, 42	SETASMB4372	84
SCRHHCS1241	2, 4, 6, 16, 18, 20, 28, 32, 36, 40, 100	SETASMB4373	84
SCRHHCS1300	28, 32, 36, 40	SETASMB4374	84
SCRHHCS1301	2, 4, 6	SETASMB4375	84
SCRHHCS1478	16, 18, 20	SETASMB4376	84
SCRHHCS1585	24, 26, 28, 30, 32, 34, 36, 38, 40, 42	SETASMB4377	84
SCRPFH1076	144, 146, 148, 150, 154	SETASMB4378	84
SCRPPH1080	108, 134, 136, 138, 140, 156	SETASMB4379	84
SCRPPH1153	142	SETASMB4380	84
SCRPPH1353	108, 110, 124, 126, 128, 156, 158, 172, 174, 176	SETASMB4381	84
SCRSETS1087	76	SETASMB4382	84
SCRSETS1088	130	SETASMB4597	86
SCRSHCS1024	8, 10	SETASMB4598	86
SCRSHCS1082	8, 10	SETASMB4599	86
SCRSHCS1137	146	SETASMB4600	86
SCRSHFH1030	108, 156	SETASMB4601	86
SCRSHFH1035	12, 14	SETASMB4602	86
		SETASMB4603	86
		SETASMB4604	86

SETASMB4605	86	SETASMB6487	68
SETASMB4606	86	SETASMB6489	72
SETASMB4607	86	SETASMB6497	50
SETASMB4608	86	SETASMB6498	52
SETASMB4609	86	SETASMB6499	54
SETASMB4610	86	SETASMB6500	56
SETASMB4611	86	SETASMB6501	58
SETASMB4612	86	SETASMB6502	60
SETASMB4613	88	SETASMB6503	62
SETASMB4614	88	SETASMB6505	66
SETASMB4615	88	SETASMB6506	68
SETASMB4616	88	SETASMB6508	72
SETASMB4617	88	SETASMB6516	50
SETASMB4618	88	SETASMB6517	52
SETASMB4619	88	SETASMB6518	54
SETASMB4620	88	SETASMB6519	56
SETASMB4621	88	SETASMB6520	58
SETASMB4622	88	SETASMB6521	60
SETASMB4623	88	SETASMB6522	62
SETASMB4624	88	SETASMB6523	64
SETASMB4625	88	SETASMB6524	66
SETASMB4626	88	SETASMB6527	72
SETASMB4627	88	SETASMB6528	74
SETASMB4628	88	SETASMB6535	50
SETASMB5728	96	SETASMB6536	52
SETASMB5729	96	SETASMB6537	54
SETASMB5730	96	SETASMB6538	56
SETASMB5731	96	SETASMB6539	58
SETASMB5732	96	SETASMB6540	60
SETASMB5733	96	SETASMB6541	62
SETASMB5734	96	SETASMB6542	64
SETASMB5735	96	SETASMB6543	66
SETASMB5736	98	SETASMB6546	72
SETASMB5737	98	SETASMB6547	74
SETASMB5738	98	SETASMB6643	50
SETASMB5739	98	SETASMB6645	54
SETASMB5740	98	SETASMB6647	58
SETASMB5741	98	SETASMB6654	50
SETASMB5742	98	SETASMB6655	52
SETASMB5743	98	SETASMB6656	54
SETASMB6467	50	SETASMB6657	56
SETASMB6469	54	SETASMB6658	58
SETASMB6471	58	SETASMB6660	62
SETASMB6478	50	SETASMB6661	64
SETASMB6479	52	SETASMB6662	66
SETASMB6480	54	SETASMB6663	68
SETASMB6481	56	SETASMB6665	72
SETASMB6482	58	SETASMB6673	50
SETASMB6484	62	SETASMB6674	52
SETASMB6485	64	SETASMB6675	54
SETASMB6486	66	SETASMB6676	56

SETASMB6677	58	SETBACK2056	86
SETASMB6678	60	SETBACK2057	86
SETASMB6679	62	SETBACK2058	88
SETASMB6681	66	SETBACK2059	88
SETASMB6682	68	SETBACK2060	88
SETASMB6684	72	SETBACK2061	88
SETASMB6692	50	SETBACK2062	88
SETASMB6693	52	SETBACK2063	88
SETASMB6694	54	SETBACK2064	88
SETASMB6695	56	SETBACK2065	88
SETASMB6696	58	SETHEAD1052	106
SETASMB6697	60	SETHEAD1053	106
SETASMB6698	62	SETHEAD1057	106
SETASMB6699	64	VELHOOK1058	2, 6
SETASMB6700	66	VELLOOP1053	2, 6
SETASMB6703	72	VELSGAD1009	110, 158
SETASMB6704	74	WASSAE1005	146
SETBACK1672	80	WASSTND1002	4, 14
SETBACK1679	80	WASSTND1042	100
SETBACK1689	80	WASSTND1097	76
SETBACK1702	80	WASSTND1155	136, 140
SETBACK1717	80		
SETBACK1720	80		
SETBACK1722	80		
SETBACK1893	80		
SETBACK1894	80		
SETBACK1951	80		
SETBACK1952	80		
SETBACK1953	80		
SETBACK2004	82		
SETBACK2006	82		
SETBACK2007	82		
SETBACK2008	82		
SETBACK2009	82		
SETBACK2010	82		
SETBACK2011	82		
SETBACK2012	82		
SETBACK2013	84		
SETBACK2014	84		
SETBACK2015	84		
SETBACK2016	84		
SETBACK2017	84		
SETBACK2018	84		
SETBACK2019	84		
SETBACK2020	84		
SETBACK2050	86		
SETBACK2051	86		
SETBACK2052	86		
SETBACK2053	86		
SETBACK2054	86		
SETBACK2055	86		

# Illustrated Parts Breakdown

## **USA - Quantum Rehab**

401 York Avenue  
Duryea, Pa 18642  
[www.quantumrehab.com](http://www.quantumrehab.com)

## **USA - Pride Mobility Products Corp.**

182 Susquehanna Avenue  
Exeter, Pa 18643  
[www.pridemobility.com](http://www.pridemobility.com)

## **Canada**

5096 South Service Road  
Beamsville, Ontario L0R 1B3  
[www.pridemobility.ca](http://www.pridemobility.ca)  
[www.quantumrehab.com](http://www.quantumrehab.com)

## **Australia**

20-24 Apollo Drive  
Hallam, Victoria 3803  
[www.pridemobility.com.au](http://www.pridemobility.com.au)  
[www.quantumrehab.com.au](http://www.quantumrehab.com.au)

## **New Zealand**

38 Lansford Crescent  
Avondale, Auckland 0600  
[www.pridemobility.co.nz](http://www.pridemobility.co.nz)

## **UK**

32 Wedgwood Road  
Bicester, Oxfordshire OX26 4UL  
[www.pride-mobility.co.uk](http://www.pride-mobility.co.uk)  
[www.quantumrehab.co.uk](http://www.quantumrehab.co.uk)

## **Netherlands**

**(Authorised EU Representative)**

De Zwaan 3  
1601 MS Enkhuizen  
[www.pridemobility.eu](http://www.pridemobility.eu)  
[www.quantumrehab.eu](http://www.quantumrehab.eu)

## **Italy**

Via del Progresso, ang. Via del Lavoro  
Loc. Prato della Corte  
00065 Fiano Romano (RM)  
[www.pride-italia.it](http://www.pride-italia.it)  
[www.quantumrehab-italia.it](http://www.quantumrehab-italia.it)

## **France**

26 Rue Monseigneur Ancel  
69800 Saint-Priest  
[www.pridemobility.fr](http://www.pridemobility.fr)  
[www.quantumrehab.fr](http://www.quantumrehab.fr)

## **Spain**

Calle Las Minas Número 67  
Polígono Industrial Urtinsa II, de Alcorcón  
28923 Madrid

## **Germany**

Hövelrieger Str. 28  
33161 Hövelhof  
[www.pridemobility.de](http://www.pridemobility.de)

## **China**

Room 508, Building #4  
TianNa Business Zone  
No. 500 Jianyun Road  
Pudong New Area  
Shanghai 201318

