

Account Number: _____ Date: _____ Address: _____
 Quote: PO Number: _____ City: _____
 Phone: _____
 Associated Quote/Order#: _____ Email/Fax: _____

Effective: 5/22/2023:

Rogue XP - Transit Included (K0005, E1235, E1237) _____	\$
Rogue XP - Transit Not Included (K0005, E1235, E1237) _____	\$
Rogue Width Growable Frame Price includes one time free growth kit	
200 lb weight capacity Maximum Seat Width of 18" Cannot be retrofitted	

Frame

Seat Width	
<i>See reference A on page 8.</i>	
10"	N/C
11"	N/C
12"	N/C
13"	N/C
14"	N/C
15"	N/C
16"	N/C
17"	N/C
18"	N/C

Seat Depth	
<i>See reference B on page 8.</i>	
10"	N/C
11"	N/C
12"	N/C
13"	N/C
14"	N/C
15"	N/C
16"	N/C
17"	N/C
18"	N/C
19"	N/C
20"	N/C

Transit Option	
Transit System _____	\$
<i>Cannot be retrofitted.</i>	
Omit _____	N/C

Seat Option	
Standard Seat Sling _____	N/C
Solid Seat Pan _____	\$
Omit Seat _____	N/C

Sling Position	
<i>In Performance Position (0"), sling is at front of frame. The 1" or 2" sling position extends the frame in front of the sling by that amount. See reference C on page 8.</i>	
0" (Performance) _____	N/C
1" _____	N/C
2" (Classic) _____	N/C

Adjustable Depth	
<i>Adds the capability to grow seat in depth. Seat depth plus Adjustable Depth cannot exceed 20.5".</i>	
No Rear Adjustment _____	N/C
1/2" _____	N/C
1" _____	N/C
2" _____	N/C
3" _____	N/C

Front Frame Bend	
<i>Angle between front seat tube and ground. See reference D on page 8.</i>	
90° _____	\$
85° _____	N/C
80° _____	N/C
75° _____	N/C
70° _____	N/C

Backrest

Backrest						
Back Post	Height Range	Back Height				
				9"	10"	11"
Height Adjustable (Standard or 1" Inward Offset)	Extra Short ^{1,2}	9"	10"	11"	12"	
	Short ²	11"	12"	13"	14" ¹	
	Medium ²	13"	14"	15"	16"	
	Tall ²	15"	16"	17"	18"	
Fixed Height (Straight or 1" Inward Offset)	Fixed ³	9" ¹	10" ¹	11" ¹	12"	13"
		14"	15"	16"	17"	18"
Fixed Height 2" Offset	Fixed Offset 2" ³	11" ¹	12" ¹	13" ¹	14" ¹	
		15"	16"	17"		

¹ Not available with Fold Down Push Handle

² Each Offset Back Post is offset 1/2" creating 1" overall offset. Only Available with Standard or 1" Inward Offset.

³ Uses 1" tubes compatible with after-market backs. Not available with back upholstery. 2" Inward or Outward Offset Back Posts are offset 1" creating 2" overall offset. 1" Offset Back Post is offset 1/2" creating 1" overall offset

Back Post Option

Straight - No Offset	N/C
1" Inward Offset	N/C
2" Inward Offset	\$
<i>Not available with Height Adjustable Back Post.</i>	
2" Outward Offset	\$
<i>Not available with Height Adjustable Back Post or Swing Away Armrest.</i>	

Push Handle

Omit Push Handle	N/C
Standard Push Handle	N/C
Low Profile Push Handle	\$
<i>2" shorter than standard push handles.</i>	
Fold Down Push Handle	\$
<i>Not available on Height Adjustable Back Posts with 9"-11" Back Heights or Offset Back Posts with 11"-14" Back Heights</i>	
Bolt-On Push Handle	\$
<i>Handles will be 1" - 2" above back height.</i>	

Stroller Handle

Stroller Handles are removable and height adjustable.

Ergo Stroller Handle	\$
Single Stroller Handle	\$
Double Stroller Handle	\$
<i>Not available with 10" Seat Width.</i>	

Spinergy Backrest Release Cable Color

Select desired color. If no selection is made, black will be used.

Black Backrest Cable	Red Backrest Cable	White Backrest Cable
Blue Backrest Cable	Yellow Backrest Cable	Orange Backrest Cable
Green Backrest Cable	Pink Backrest Cable	N/C

Seat Back Angle

Standard is 90° (perpendicular to floor). Minus (-°) closes back angle. Plus (+°) opens back angle.

Standard	-2°	+2°	-4°	+4°	-6°	
+6°	-8°	+8°	-10°	+10°		N/C

Back Upholstery Options

Available only with Height Adjustable Back Posts. If selecting both upholstery and Axiom Back, the upholstery will be installed.

Padded Velcro Adjustable with Standard Cover	N/C
Padded Velcro Adjustable with Air Mesh Breathable Cover	\$
<i>Not available on chair widths less than 12".</i>	
Tension Adjustable with Standard Cover (E2611)	\$
Tension Adjustable with Air Mesh Breathable Cover (E2611)	\$
<i>Not available on chair widths less than 12".</i>	
Omit	(\$)

Front Seat Height and Casters

Caster Size / Footrest Taper / Front Seat Height

Select **Front Seat Height** and **Footrest Taper** in row corresponding to **Caster Size**. 6" casters not available with 85° and 90° Front Frame Bend.
Footrest Taper indicates bend of front frame creating footrest width. **Taper** is measured from outside of seat frame to outside of front tube. **Taper** is not available with 70° Front Frame Bend. See reference E on page 8.

Front Seat Height is measured from floor to top of seat tube at front of seat sling. Adjustable up or down by 1/2". See reference F on page 8.

Footrest Taper	Caster Size	Front Seat Height														
		3"	4"	5"	6"	7"	8"	9"	10"	11"	12"	13"	14"	15"	16"	17"
No Taper (Straight)	3"	13.5"	14"	14.5"	15"	15.5"	16"	16.5"	17"	17.5"	18"	18.5"	19"	19.5"	20"	20.5"
	4"	14"	14.5"	15"	15.5"	16"	16.5"	17"	17.5"	18"	18.5"	19"	19.5"	20"	20.5"	
	5"	14.5"	15"	15.5"	16"	16.5"	17"	17.5"	18"	18.5"	19"	19.5"	20"	20.5"		
	6"	15"	15.5"	16"	16.5"	17"	17.5"	18"	18.5"	19"	19.5"	20"	20.5"			
1"	3"	16.5"	17"	17.5"	18"	18.5"	19"	19.5"	20"	20.5"						
	4"	17"	17.5"	18"	18.5"	19"	19.5"	20"	20.5"							
	5"	17.5"	18"	18.5"	19"	19.5"	20"	20.5"								
	6"	18"	18.5"	19"	19.5"	20"	20.5"									

Castors

Caster Type	Caster Size	Price	3"	4"	5"	6"
.75" Rollerblade		N/C				
.75" Lighted Rollerblade		\$80				
1" Poly		N/C				
1" Poly Aluminum		\$125				
1" Pneumatic		\$85				
1.5" Poly		\$65				
1.5" Soft Roll Aluminum		\$205				

Fork Options

Standard Fork	N/C
Single Sided Fork	\$
Frog Legs II Suspension System	\$

Lightweight shock absorbing fork. Not included in Colored Anodizing Package.

Footrest

Footplates

Tubular "Open" Footplate	N/C
<i>Not available with footrest widths less than 9.5". See Reference G on page 8.</i>	
Tubular Footplate with ABS Cover	\$
<i>Not available with footrest widths less than 9.5". See Reference G on page 8.</i>	
Aluminum Angle Adjustable (K0040)	\$
Aluminum Angle Adjustable with Riser (K0040, K0037)	\$
High Mount Aluminum Angle Adjustable (K0040, K0037)	\$
Angle Adjustable Flip Under (K0040, K0037)	\$
<i>Not available with footrest widths less than 9.5". See Reference G on page 8.</i>	
High Mount Angle Adjustable Flip Under (K0040, K0037)	\$
<i>Not available w/footrest widths greater than 15.5". See Reference G on 8.</i>	

Footrest Protector

Footrest Protector	N/C
<i>Not available with Angle Adjustable Flip Under, High Mount Angle Adjustable Flip Under or High Mount Aluminum Angle Adjustable Footplates</i>	

Seat to Footrest Length

Measured from front edge of seat sling to top, rear of footrest.
 Footrest length at least 2.5" shorter than Front Seat Height recommended. See reference H on page 8.

8"	8.5"	9"	9.5"	10"	10.5"
11"	11.5"	12"	12.5"	13"	13.5"
14"	14.5"	15"	15.5"	16"	16.5"
17"	17.5"	18"	18.5"	19"	19.5"

Rear Seat Height and Wheels

Rear Seat Height

Select Rear Seat Height in row corresponding to desired Wheel Size. For proper setup, selection is required when omitting rear wheels. Measured from floor to top of seat tube at front of back post. Rear Seat Height is custom to needs. See reference I on page 8.

Wheel Size	Rear Seat Height															
18"	11.5" ¹	12"	12.5"	13"	13.5"	14"	14.5"	15"	15.5"	16"	16.5"	17"	17.5"	18"	18.5"	19"
20"	12.5" ¹	13"	13.5"	14"	14.5"	15"	15.5"	16"	16.5"	17"	17.5"	18"	18.5"	19"	19.5"	20"
22"	13.5" ¹	14"	14.5"	15"	15.5"	16"	16.5"	17"	17.5"	18"	18.5"	19"	19.5"	20"		
24"	14.5" ¹	15"	15.5"	16"	16.5"	17"	17.5"	18"	18.5"	19"	19.5"	20"				
25"	15" ¹	15.5"	16"	16.5"	17"	17.5"	18"	18.5"	19"	19.5"	20"					

¹ Available only with Low Profile tires

One Arm Drive

One Arm Drive - Quick Release (E0958) _____ \$
 Not available with 10" seat width. Only available with 20", 22" and 24" spoke wheels and Quick Release Axles. Spoke wheel style is exclusive to OAD. Standard handrim will be Aluminum Anodized. Limitations exist based on rear wheel spacing, camber and armrest selections.

Left Side Drive _____ N/C
 Right Side Drive _____ N/C
 Aluminum Drive Handrim _____ N/C
 Poly Coated Drive Handrim _____ \$

Wheels

No selection needed with One Arm Drive.

Rear Wheel Type	Price	Rear Wheel Size				
		18"	20"	22"	24"	25"
Maxx Spoke	N/C					
Mag	\$55					
Colored Mag ²	\$105					
Superlight Spoke	\$315					¹
Spinergy Spox	\$915					
Spinergy LX	\$1148					

¹ Available only with Superlight and Plastic Coated Handrims

² Mag color selection is on page 7

Spinergy Options

Select spoke color and handrim tab for Spinergy wheels.

Black Spokes Red Spokes White Spokes Blue Spokes _____ N/C

Rear Tire Type

Full Profile

Street Pneumatic 1 3/8" (E2211, E2212) _____ N/C
 Not available on 25" wheel size.
 Full Poly 1 3/8" (E2218) _____ N/C
 Not available on Superlight wheel or 25" wheel size.
 Pneumatic with Airless Insert 1 3/8" (E2211, E2213) _____ \$
 Not available on Superlight wheel or 25" wheel size.
 Schwalbe HS-127 1 3/8" (E2211, E2212) _____ \$
 Available only on 24" wheel size. Not available on Mag wheel.
 Mountain 2" Black (E2211, E2212) _____ \$
 Available only on 22", 24" and 25" MAXX Spoke and Spinergy wheels

Low Profile

Low Poly 1" (E2218) _____ \$
 Not available on Superlight wheel or 25" wheel size.
 Sentinel Solid Tire 1" (E2218) _____ \$
 Not available on Superlight wheel, 18" wheel size or 20" and 22" Mag wheels.
 High Pressure 1" (E2211, E2212) _____ \$
 Not available on Mag wheel or 18" wheel size.
 Schwalbe One 1" (E2211, E2212) _____ \$
 Available only on 24" and 25" wheel sizes. Not available on Mag wheel.
 Schwalbe Marathon Plus Evolution 1" (E2211, E2212) _____ \$
 Available only on 24" and 25" wheel sizes. Not available on Mag wheel.

Handrims

No selection needed with One Arm Drive.

Standard Handrims

- Aluminum Anodized _____ N/C
- Superlight Aluminum Anodized _____ \$
Available only on 24" and 25" wheel sizes. Available only on MAXX Spoke, Superlight or Spinergy wheels.
- Plastic Coated _____ \$
- Projection (8 Vertical Projections) _____ \$
Available only with full profile tires in combination with 22", 24", and 26" MAXX Spoke wheels, or 22" and 24" Mag wheels
- Omit Handrim _____ N/C

Ergonomic Handrims

Not available with 20" or 26" wheels. Tab mount only available with 24" wheels.

- Lite Regular Grip _____ \$
- Standard Regular Grip _____ \$
- Lite Extra Grip _____ \$
- Standard Extra Grip _____ \$
- Lite Omit Grip _____ \$
- Standard Omit Grip _____ \$

Handrim Option

Handrim Mount

If no selection is made, Standard Mount will be used

- Close Mount _____ N/C

Micro-Grip

- 3M Micro Grip _____ \$
Not available on Plastic Coated or Projection Handrims.

Axles

No selection needed with Drum Brake.

- Quick Release _____ N/C
- Quad Quick Release _____ \$
Not available with Mag or Spinergy wheels.

Wheel Locks

Wheel Lock

- Push to Lock _____ N/C
- Push to Lock Flush Mount _____ N/C
- Pull to Lock _____ N/C
- Under Seat Scissor Lock _____ \$
- Low Profile Scissor Lock _____ \$
Not available with Low Poly, Full Poly or Sentinel Solid tires.
- Drum Brake _____ \$
Available only with 20", 22" and 24" MAXX Spoke wheels. Not available with Low Profile or Fold Down Push Handles, or Ergo and Single Stroller Handles without integrated push handles. Axle is Quick Release.
- Dual - Drum Brake with Push to Lock _____ \$
Available only with 20", 22" and 24" MAXX Spoke wheels. Not available with Low Profile or Fold Down Push Handles, or Ergo and Single Stroller Handles without integrated push handles. Axle is Quick Release.
- Dual - Drum Brake with Pull to Lock _____ \$
Available only with 20", 22" and 24" MAXX Spoke wheels. Not available with Low Profile or Fold Down Push Handles, or Ergo and Single Stroller Handles without integrated push handles. Axle is Quick Release.
- Omit _____ N/C

Wheelchair Drive Ready

Chair will ship from Ki Mobility with adaption kit installed for selected Alber system. Order system separately from Alber USA. Select Rear Seat Height (full profile selections only) in drive wheel size on Rear Seat Height chart (page 4). Requires Rear Anti-Tips. Not available with 5th Wheel or Spinergy wheels.

- e-motion Ready _____ N/C
- twion Ready _____ N/C

Camber Selection

- 0 Degree Camber _____ 3 Degree Camber _____ N/C

Rear Wheel Camber

The following apply if One Arm Drive is selected: 6° and 8° not available. 4° not available with T-Arms. 0° required with the combination of a 5th Wheel and Seat Widths less than 16".

- 0° 2° 4° 6° 8° _____ N/C

Center of Gravity presets

Measured from front of back post to center of rear axle. 0" indicates axle will be directly under back post. 2" minimum Center of Gravity with 5th Wheel and One Arm Drive. See reference J on page 8.

Amputee Positions					
-1.5"	-1.25"	-1"	-.75"	-.5"	-.25"
Standard Positions					
0"	.25"	.5"	.75"	1"	1.25"
1.5"	1.75"	2"	2.25"	2.5"	2.75"
3"	3.25"	3.5"	3.75"	4"	4.25"

Rear Wheel Spacing

1" minimum with 0° camber. 1.5" minimum with T-Arms. The following apply if One Arm Drive is selected: 1.75" minimum with T-Arms. 1.25 minimum with select Rear Seat Heights. No selection needed with Wheelchair Drive Ready. See Reference K on page 8.

- 0.75" 1" 1.25" 1.5" 1.75" _____ N/C

Wheel Lock Options

- Extension Handles (E0961) _____ \$
Available only with Push to Lock or Pull to Lock Wheel Locks.
- Grade Aids (E0974) _____ \$
Available only with Push to Lock Wheel Locks and Pneumatic or Pneumatic with Airless Insert tires

Armrests

Armrest Type	Length	Price
Height Adjustable T-Arm Tall (11.5"-15") E0973	Desk	\$
	Full	
Height Adjustable T-Arm (8.5"-13.5") E0973 ¹	Desk	\$
	Full	
Height Adjustable T-Arm Low (6.5"-10.5") E0973 ²	Desk	\$
	Full	
Angle Adjustable Locking Extendable Flip Up ³	Desk	\$
	Full	

- ¹ Not available with Seat Depths less than 13". 1.5" minimum Rear Wheel Spacing
² Not available with Seat Depths less than 12". 1.5" minimum Rear Wheel Spacing. If requested configuration is unavailable, Standard Height T-Arm will be used.
³ Requires Fixed Height Backrest. Not available with backrest heights less than 12"
⁴ Not available with Arm Pads or Outward Offset Back Posts. If selection is not available with rear wheel and rear seat height configuration, then Tall Swing Away armrest will be used.
⁵ Not available with Arm Pads or Outward Offset Back Posts.
⁶ Includes Composite Side Guard with Direct Mount Receiver. Not available with Arm Pads or Outward Offset Back Posts. If selection is not available with rear wheel and rear seat height configuration, then Tall Swing Away with Side Guard armrest will be used.
⁷ Includes Composite Side Guard with Direct Mount Receiver. Not available with Arm Pads or Outward Offset Back Posts.

Armrest Type	Price
Short Swing Away (7" - 9") E0973 ⁴	\$
Tall Swing Away (9.25" - 11.25") E0973 ⁵	\$
Short Swing Away with Side Guards (7"-9") E0973 ⁶	\$
Tall Swing Away with Side Gueards (9.25" - 11.25") E0973 ⁷	\$
Omit Armrests	N/C

Arm Pads

Not available with Swing Away Armrests.

- Standard Arm Pad
- Foam Grip
- Available only with Angle Adjustable Locking Extendable Flip Up Armrest. _____ N/C
- Waterfall Arm Pad
- Not available with Angle Adjustable Locking Extendable Flip Up Armrest. _____ \$

Side Guards

Direct Mount Side Guards

Not available with T-Arms or Swing Away with Side Guard Armrests.

- Composite Side Guards - Direct Mount Receiver (K0108) _____ \$
12" minimum Seat Depth.
- Aluminum Straight - Direct Mount Receiver - Black Matte (K0108) _____ \$
12" minimum Seat Depth.
- Aluminum Straight - Direct Mount Receiver - Match Frame Color (K0108) _____ \$
12" minimum Seat Depth. Not available with Hydrographics
- Aluminum Adjustable Fender w/Foam Pad - Direct Mount Receiver - Black Matte (K0108) _____ \$
Not available with Adjustable Depth greater than 1/2".
- Aluminum Adjustable Fender w/Foam Pad - Direct Mount Receiver - Match Frame Color (K0108) _____ \$
Not available with Adjustable Depth greater than 1/2". Not available with Hydrographics.
- Carbon Fiber Adjustable Fender - Direct Mount Receiver (K0108) _____ \$
Not available with Adjustable Depth greater than 1/2".

Clamp-On Mount Side Guards

Not available with T-Arms or Swing Away with Side Guard Armrests.

- Composite Side Guards - Clamp-On Receiver (K0108) _____ \$
12" minimum Seat Depth.
- Composite Side Guards - Pediatric - Clamp-On Receiver (K0108) _____ \$
- Aluminum Straight - Clamp On Receiver - Black Matte (K0108) _____ \$
12" minimum Seat Depth.
- Aluminum Straight - Clamp-On Receiver - Match Frame Color (K0108) _____ \$
12" minimum Seat Depth. Not available with Hydrographics.
- Aluminum Adjustable Fender w/Foam Pad - Clamp-On Receiver - Black Matte (K0108) _____ \$
- Aluminum Adjustable Fender w/Foam Pad - Clamp-On Receiver - Match Frame Color (K0108) _____ \$
Not available with Hydrographics.
- Carbon Fiber Adjustable Fender - Clamp-On Receiver (K0108) _____ \$

Accessories

5th Wheel

Rotating removable rear caster. Not available with 25" rear wheel.

- Standard 5th Wheel (E0971) _____ \$
- Dynamic 5th Wheel (K0108) _____ \$
- Soft Elastomer Firm Elastomer _____ N/C

Both elastomers are included; the selected elastomer will be installed.

Anti-Tip

- Rear Anti-Tips (E0971) _____ \$165
- Omit _____ N/C

Calf Strap

- Velcro Adjustable (K0038) _____ \$
- Padded Velcro Adjustable (K0038) _____ \$
- Bodypoint Padded AeroMesh (K0038) _____ \$

Pelvic Positioning Belts

1" Auto Buckle Pelvic Positioning Belt (E0978)	\$
1" Padded Auto Buckle Pelvic Positioning Belt (E0978)	\$
1 1/2" Auto Buckle Pelvic Positioning Belt (E0978)	\$
1 1/2" Padded Auto Buckle Pelvic Positioning Belt (E0978)	\$
Small Bodypoint Evoflex - Pelvic Stabilizer (16-24") (E0978)	\$
Medium Bodypoint Evoflex - Pelvic Stabilizer (19-29") (E0978)	\$
Large Bodypoint Evoflex - Pelvic Stabilizer (25-37") (E0978)	\$

Belt Mounting Kit

Ki Mobility Belt Mounting Clamp	\$
Bodypoint Belt Mounting Bracket Kit	\$

Spoke Guards

Clear Spoke Guards (K0065)	\$
<i>Not available with Mag wheel.</i>	
Black Spoke Guards (K0065)	\$
<i>Not available with 18" or 20" wheel sizes or Mag wheel.</i>	
Blue Monster Spoke (K0065) (1)	\$
Robo Fun Spoke Guards (K0065) (1)	\$
Tutu Cute Spoke Guards (K0065) (1)	\$
Tuxedo Time Spoke Guards (K0065) (1)	\$

1 Available only with 20" and 22" wheel sizes. Not available with Mag wheel.

Other Accessories

Tool Kit	\$
Removable Underseat Pouch	\$
Pediatric Ki Mobility Backpack	\$
Ki Mobility Backpack	\$
Luggage Carrier	\$
Black Neoprene Impact Guards	\$
Under Chair Carrier and Removable Bag	\$
<i>Not available with Seat Widths less than 14" or scissor locks.</i>	
Cane and Crutch Holder	\$

Color

Frame Color

*Frame : Select desired frame and accent colors. Accent color is used on backrest rigidizer bar; if no accent color is selected, frame color will be used.
Hydrographics: Available on frame only; please choose accent color to left. Not available with Transit Option.*

Options	Price	Colors																			
		Gloss												Matte							
		Black	Blue Skies	Bubblegum Pink	Candy Blue	Candy Purple	Candy Red	Copper	Granny Smith	Metallic Orange	Silver	Teal	Yellow	Charcoal Gray	Emerald Green	Iridescent Burgundy	Iridescent Navy	Military Green	Retro Red	Royal Blue	Shadow Black
Frame	N/C																				
Accent	N/C																				
Mag Color																					
Color Anodizing Package ¹	Black	Blue	BrightGreen	Orange	Pewter	Pink	Purple	Red	Gold												
	N/C	\$165	\$165	\$165	\$165	\$165	\$165	\$165	\$165												

¹ Select desired color. If no selection is made, black will be used. Included in Colored Anodizing Package: Backrest plates, camber tube (not available with Wheelchair Drive Ready selection), towers, CG clamps (not available with negative Center of Gravity or Wheelchair Drive Ready selections), side guard receivers, RP tuning housing, front caster forks (standard or Single Sided) and Dynamic 5th Wheel split clamp.

References

A. Seat Width *See Diagram 1*

Measured from outside of frame tube on one side to outside of frame tube on other side.

B. Seat Depth *See Diagram 3*

Measured from front of back posts to front edge of seat sling. Seat sling starts at beginning of bend at front of frame.

C. Sling Position *See Diagram 2*

In Performance Position (0°), sling is at front of frame to keep chair shorter and more maneuverable. The 1" or 2" seat sling position extends the frame in front of the sling by that amount. Adding more frame can improve stability and provide support to aid in transfers.

D. Front Frame Bend *See Diagram 3*

Angle between front seat tube and ground.

E. Footrest Taper *See Diagram 1*

Indicates bend of front frame creating footrest. Taper is measured from outside of seat frame to outside of front tube.

F. Front Seat Height *See Diagram 1*

Measured from floor to top of seat tube at front of seat sling.

G. Footrest Width *See Diagram 1*

Measured from inside of front tube to inside of front tube on other side. Footrest width is listed below for each seat width and taper.

Seat Width	Straight	1" Taper	2" Taper
Outside Measurement	2" Narrower than Seat Width	4" Narrower than Seat Width	6" Narrower than Seat Width
14"	11.5"	9.5"	
15"	12.5"	10.5"	
16"	13.5"	11.5"	9.5"
17"	14.5"	12.5"	10.5"
18"	15.5"	13.5"	11.5"
19"	16.5"	14.5"	12.5"
20"	17.5"	15.5"	13.5"
21"	18.5"	16.5"	14.5"
22"	19.5"	17.5"	15.5"

H. Seat to Footrest Length *See Diagram 3*

Measured from front edge of seat sling to top rear of footrest. Footrest length of at least 2.5" shorter than front seat height recommended.

I. Rear Seat Height *See Diagram 3*

Measured from floor to top of seat tube at front of back post. Rear seat height is custom to needs.

J. Center of Gravity Preset *See Diagram 3*

Measured from front of back post to center of rear axle. 0° indicates axle will be directly under back post.

K. Rear Wheel Spacing *See Diagram 1*

Measured from outside of seat back to inside of rear tire. Adjustable out .5" from setting.

Diagram 1

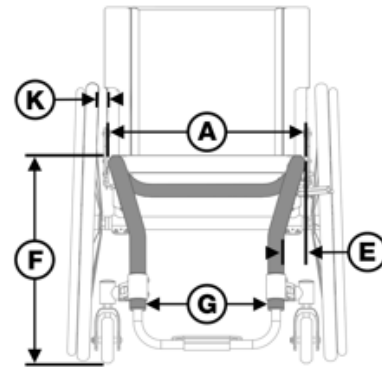


Diagram 2

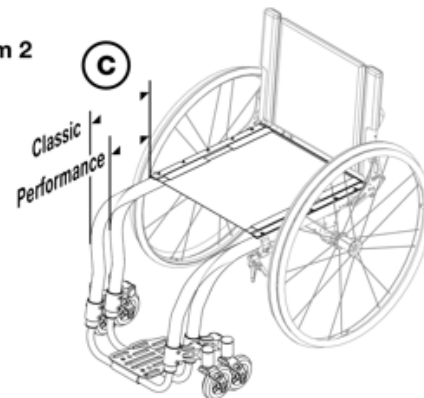
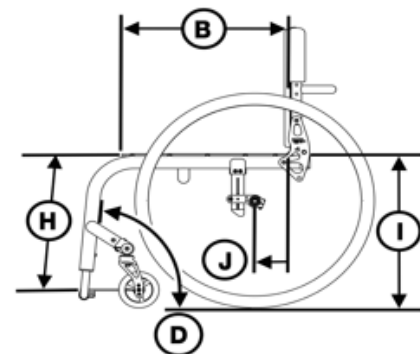


Diagram 3



Cushions and Backrests

AXIOM

Ki Mobility

ADI
A Stealth Product

VARILITE

R I O E

Cushion:

Backrest:

Other Accessories: